



Internet Tablet DPW8A-BT User 's Manual

Read this manual before installation use.

Introduction

Thank you for purchasing the DOPO DPW8A-BT 8" Windows 8.1 2-in-1 PC tablet. It utilizes touch technology to make your personal computing and rich media content experience fast, seamless and immersive. The tablet is the perfect companion for accomplishing everyday tasks, enhancing productivity on the go, playing video games, Xbox Music and Video, taking photos, and surfing the internet with Internet Explorer.

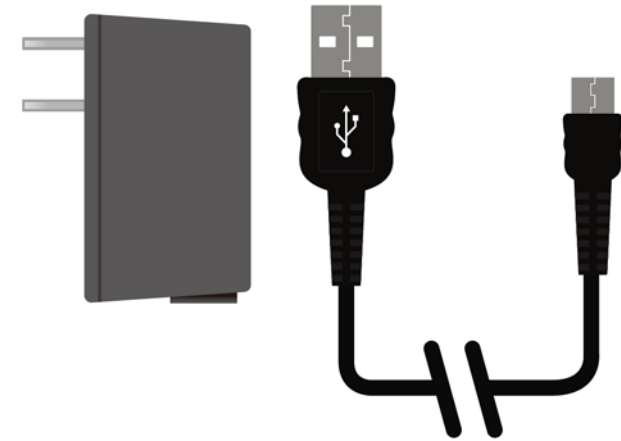
When it's time to work, the DPW8A-BT comes with Microsoft Office 365 Personal which includes Word, Excel, Outlook, PowerPoint, OneNote, and Publisher. You'll find many more features including WiFi, Bluetooth connectivity, a memory card slot for additional storage, dual cameras, and internal storage of 32GB and 1GB RAM. With a sleek design and bright high-definition IPS touch screen display, you'll enjoy your DPW8A-BT for many years to come. Using finger gestures you can swipe down from the top side, up from the bottom edge, or inward from the left and right edges of the display to navigate the Tablet.

The following information will help you get the most out of your tablet.

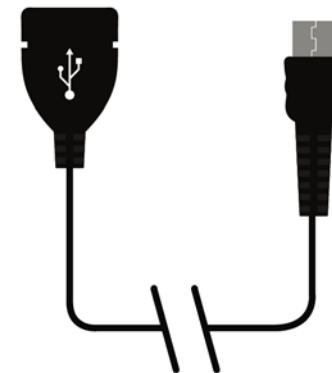
Features & Package Contents

DPW8A-BT Tablet

AC Adapter



Transfer Cable

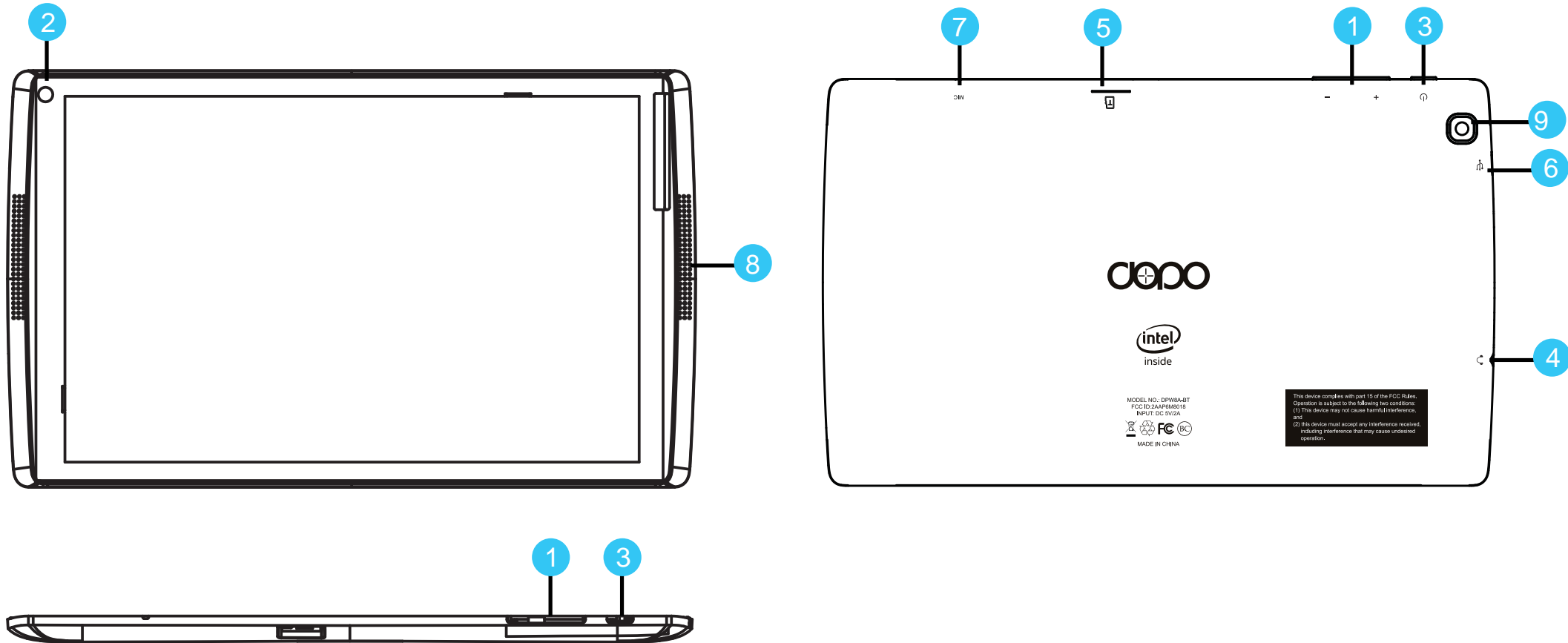


Important Safety Instructions

Please read the following instructions and notices before using your tablet.

1. Avoid using in extremely hot, cold, dusty, damp or wet environments.
2. Excessive use of earphones at high volume may lead to hearing impairment. Limit earphone usage, and adjust the volume to a moderate level only. Do not use the tablet while walking or driving.
3. Do not suddenly disconnect the tablet when formatting, uploading or downloading data.
This may lead to program errors (e.g. system of screen “freezing”.)
4. If the AC adapter, AC cord or provided cables become damaged in any way, stop using them immediately. Failure to do so may cause the tablet to malfunction, or corrupt files and/or memory.
5. Dismantling the tablet will void the manufacturer’s warranty and may present the risk of hazard. If you are experiencing problems, review the Troubleshooting section of this manual or call Customer Support.
6. Warning: This product may contain a chemical known to the State of California to cause cancer, birth defects, or other reproductive harm.
7. Improper use of the battery may result in explosion. Review the Battery Care section in this manual to charge the tablet battery safely.
8. The touch screen is made of glass. Avoid dropping or forcibly placing the tablet onto a hard surface. Do not use alcohol, thinner or benzene to clean the surface of the tablet. This may damage the screen or internal electronic components and void warranty.
9. Do not use over-loaded, non-standard power sources or any power cable that does not come with your device.
10. Tablet functions, hardware, software and warranty information may be revised by the manufacturer or their respective owners, and are subject to change without notice.

Tablet Overview



- 1. Volume- / Volume +
- 2. Front Camera
- 3. Power
- 4. Headphone

- 5. Micro TF Memory Card Slot
- 6. Micro USB
- 7. MIC
- 8. Loudspeakers
- 9. Camera

Starting your Tablet

Power On/Off/Standby Mode

ON: Press and hold the side POWER button on the side for about 3 seconds until the logo screen appears, then release.

OFF: Press and hold the side POWER button until the POWER OFF window appears, then slide down to turn off.

STANDBY MODE: While the Tablet is on, press the side POWER button quickly to power off the display only. The Tablet will enter a sleep mode which minimizes some of the battery functions (turn off completely to avoid unnecessary battery drainage).

Press the POWER button quickly to wake from sleep mode so that you can use the Tablet immediately.

NOTE: Another way to access Power, Shut Down, or Update and Restart is to swipe left from the right edge of the screen and tap SETTINGS.



Starting your Tablet

First time Setup

Setup runs the first time you power on your Tablet. During setup you'll choose a language, color scheme, and name, all of which can be change at a later time.

User and Password Setup



Swipe inward at left edge of display to call up the Charm Menu. When a password is required, you can choose one to sign in. Here's how:

1. Swipe inward from the left edge of the display to call up the Charm Menu. Open the SETTINGS charm, then tap or click PC settings > Accounts > Sign-in options.

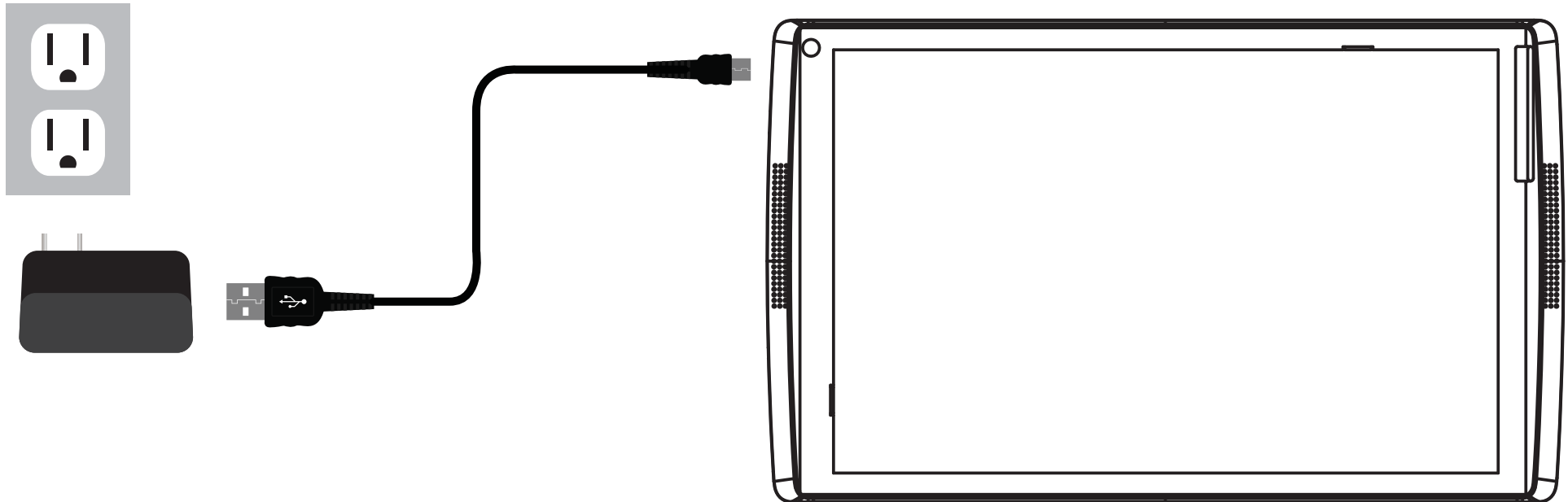
2. Under Password policy, choose an item from the list:

Microsoft account: Choose a time frame or to Always require a password.

Local account: Choose a time frame, Always require a password, or Never require a password.

NOTE: Password policy setting may not be available if you've added a work email account to the Mail app.

Charging the Battery



Connect the power adapter to a wall outlet, then to the Tablet as shown. It is recommended to fully charge the battery before first use. A battery status indicator appears in the lower left corner. Tap the battery icon to view percentage of remaining power.

NOTE: It takes approximately 2-3 hours to fully recharge the battery from a depleted state. It is normal for the tablet to feel warm while recharging and during use. Actual play times will vary depending on display settings, apps that remain open, and your internet usage.

Charging the Battery



Battery Care

Operating temperature: Your Tablet is designed to work between 32°F and 95°F (or 0°C to 35°C). Lithium-ion batteries are sensitive to higher temperatures. Keep your Tablet out of direct sun light and don't leave it in a closed environment susceptible to extreme temperatures.

Recharge anytime: You can recharge the internal battery at any time. However, we recommend discharging the battery down to 10% or lower level at least once each month before you recharge it.


Basic Operation

Lock Screen and Start Menu

First, press the Power button. Then with your finger, swipe up on the touch screen. The Lock screen is the starting point and appears when the tablet screen is turned on. Sign in to your account by typing your password.



The Start Menu is the area where you open your apps, access the web, social media, and more. Tiles will display alerts, new messages, announcements, etc.

Press the  Start button to launch all Apps on the Tablet. Swipe inward from the left edge of the screen to view any open apps. Swipe inward from the right edge of the screen and access the Charm menu to search, share, view today's date & time, battery level or to access Settings.

In order to move an App from the App tray to the Home Screen, touch and hold the App then drag it to the desired screen. To remove it, touch and hold the App, then drag it to the “Remove” icon at the top of the screen.

Basic Operation



Create a Microsoft account

It is recommended to set up or use an existing Microsoft account for better enjoyment of Microsoft services such as Xbox, Outlook.com, OneDrive, Skype, etc. Many apps and services rely on the account to sync content and settings across devices. If you have more than one Microsoft account already, you'll need to choose one.

Add Other Email Accounts

Here's how to add your email accounts:

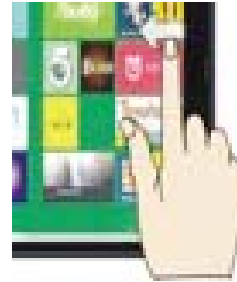
1. Tap or click Mail from the Start screen.
2. Open the Settings charm, then tap or click Accounts > Add an account.
3. Choose the type of account you want to add, and then follow the on-screen instructions.

Common Finger Gestures

Swipe to right to Access Open Apps



Swipe to Left for Search, Share, or Settings



Swipe the left edge: Switch between open apps by swiping inward the left edge of the screen. Each time you swipe you will switch to another app. To switch to a specific app, swipe inward from the left edge and with your finger still on the touchscreen, move it back towards the left edge. Then tap the desired app.

Swipe the right side edge: Swipe to search, share, or access PC settings.



Pinch & Zoom



Enlarge

Common Finger Gestures

Pinch to Zoom: In some apps (such as Maps, Browser, and Gallery), you can zoom in and out by placing two fingers on the screen at once, and pinching them together (to zoom out) or spread them apart (to zoom in.)



Swipe downward

Swipe down from top edge and access app commands.



Swipe side to side

Swipe finger side to side to move an image.



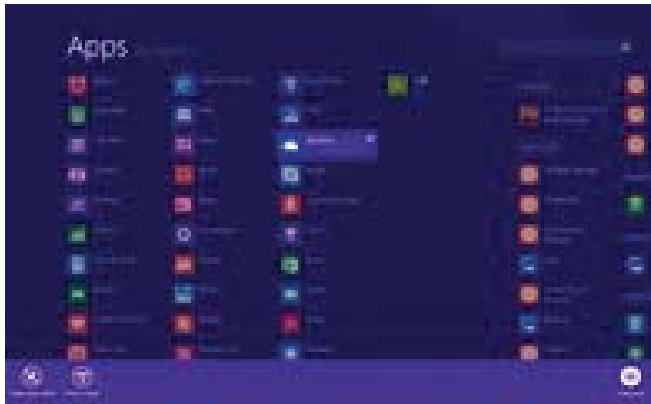
Swipe the bottom edge

Swipe upward from the bottom edge to choose an item on the bar of app commands.

Apps Menu

To display the menu of all available apps, tap and drag your finger upward from anywhere below the Start Menu tiles until you see the Apps Menu. Type an app name or scroll to view desired apps. To add one to the Start screen, tap and hold the desired app for 2 seconds. A checkmark will appear. To unpin from Start or uninstall, use the same process.

To return to the Start Menu and dismiss the Apps Menu, tap and drag your finger downward from the top of the screen.



To Close Desktop Apps

Apps can be closed in two ways. You can close the app when finished, or you can begin using a second app and the first app will automatically close after a period of time of non-use.

To completely close an App, drag it to the bottom of the screen with your finger, and hold it there until the app flips over.

View open apps and services in Task Manager (Type Task Manager into Search to find this app).

NOTE: Having too many apps open at the same time will reduce the overall performance of the tablet and drain battery power more rapidly.

Apps Menu



View Apps Side by Side

To display two apps side-by-side, swipe an open app inward from the left edge, drag it and hold. Release to one side. A dual screen interface will appear to place a second application.

To change one of the apps, go to Start Menu or the Apps view and tap on an app. It will appear on top of the first two apps. Tap the left of right edge of the screen.

To undo the dual screen, tap the middle partition line and drag to the right or left edge.

Connecting to the Internet

This Tablet utilizes WiFi 802.11b/g/n networks to connect with the internet so that you may access the world wide web, send emails, and download apps.
(WiFi distance may be affected by your surrounding environment and WiFi router).

In order to connect to the internet, you will need the following:



Connect to a WiFi Network

Open the Settings charm (swipe inward from the right edge of the screen, then tap Settings). Tap the wireless network icon. Under WiFi, tap the network you wish to connect to, and then tap CONNECT. If prompted, type and enter the password.

Disconnect from a WiFi Network

Open the Settings charm. Tap the wireless network icon  that is connected. Tap the network with connected status, then tap DISCONNECT.

Charm Menu Column - Search, Share, Connect, Settings

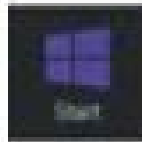
From the right edge of the screen, swipe your finger inward to bring up the Charm Menu column.



Search the files and application programs in the Tablet PC.



Share the program through social media, or email.



Return to the Start screen. From the start screen, you can also use this function to return the application program last opened.



Read, write and share files, connect an external screen or printer with the device connected to the Tablet PC.



Personalize and set up the Tablet.

Add Skype for Calls and OneDrive for Additional Storage

Skype and Contacts



Skype: Add contacts

With Skype calls and video chat, you can stay in touch with anyone for free. Once you've added your friends, you can make Skype calls and send instant messages.

To get started using Skype:

1. On the Start screen, tap or click Skype.
2. Sign in with your Microsoft account and your Messenger friends will be automatically added to your existing list of contacts. If you already have a Skype account, you can merge it with your Microsoft account by following the on-screen instructions.
3. Add your contacts.

Add Skype for Calls and OneDrive for Additional Storage



OneDrive Personal Cloud Storage

OneDrive is online cloud storage that comes with your Microsoft account. When you save documents, photos, music and other files on OneDrive, they're available from any web-connected device to use or share with others.

Add files to your OneDrive then access them from your Tablet.

1. Go to the computer with the files that you want to copy to the Tablet.
2. Go to [OneDrive.com](https://onedrive.com) and upload the files.
3. To access your files once uploaded, from the Start screen tap on OneDrive. Then navigate accordingly.

Using Micro USB, Bluetooth Devices, & Viewing on HDTV

USB flash drive or hard drive



Insert a USB flash drive or external hard drive into the USB port using the included transfer cable. In addition, you can add an external mouse, connect a keyboard, or other USB compatible device.

NOTE: The first time you plug in a USB accessory, Windows will install the necessary software for you (if applicable).

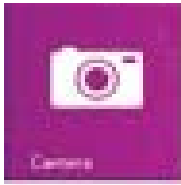
Add a Bluetooth device

Add or “pair” a Bluetooth compatible device with your Tablet as follows:

1. Power on the compatible Bluetooth device and make it discoverable.
2. Open the SETTINGS charm, tap **Change PC Settings** > **PC and devices** > **Bluetooth**.
3. Make sure Bluetooth is powered on, then wait while Windows searches for the device.

Using the Cameras

Front and Rear Cameras



Your Tablet features two cameras. Use the 2.0MP front-facing camera for Skype video chat, taking “selfies”. Use the 2.0MP rear-facing camera to record meetings, take HD videos and photographs.

To take a photo or record a video, open the Camera app then tap the on-screen Photo or Video button.

Front Camera

Rear Camera



View and Edit Photos

View photos and videos you’ve taken with the Camera, Photos, & OneDrive app:

Camera app: Swipe to the right to view recent photos and videos. You can also swipe down from the top edge of the screen, and then tap Camera Roll.

Photos, File Explorer, or the OneDrive app:

Go to the Pictures folder, and then to the Camera roll .

Using the Cameras (Cont.)

Make automatic corrections through the Photos app. Experiment with lighting and color adjustments, effects, cropping and rotation.

1. Open a photo in the Camera, Photos, or the OneDrive app.
2. Swipe down from the top edge of the screen.
3. Tap Edit.
4. Choose auto and basic fixes, light and color adjustments, and effects.
5. Swipe down from the top edge to save your changes.

TF Memory Card Slot

At some point you may require additional space on your Tablet. Use an optional TF style memory card to add up to 64GB of additional storage capacity.

Camera Function Guide

From the Start Menu select the Camera tile.



Tap to take a photograph.



Tap to start video. Red light appears.
Tap again to stop.

Swipe finger from bottom edge of screen to access more camera features.



CHANGE CAMERA: Tap to switch between front and rear cameras.



TIMER: Tap repeatedly to adjust timer interval from 3 sec. or 10 sec.



FLASH: Not supported on this device as there is no LED light feature.



EXPOSURE: Adjust bar up / down to allow more light into the photograph or video.

Photo Editor: Swipe finger from bottom edge of screen when viewing photo.



AUTO FIX: Select from various adjustments to improve your photograph.



BASIC FIXES: Basic fixes include rotation, crop, straighten. No Red Eye feature.



LIGHT: Light adjustments include brightness, contrast, highlights, shadow.

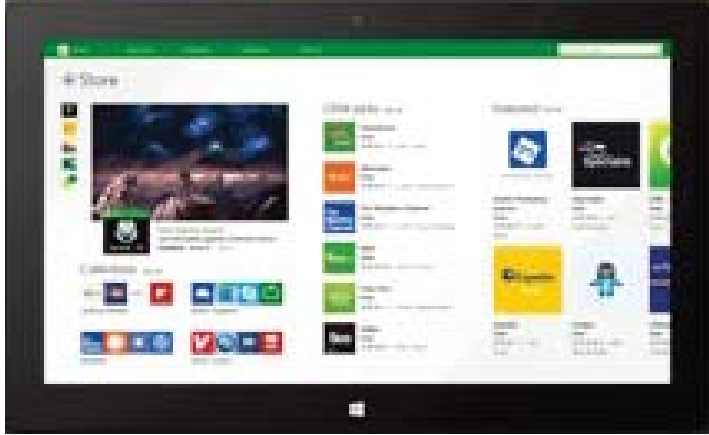


COLOR: Adjustments include temperature, tint, saturation and enhancement.



EFFECTS: Includes selective focus and vignette.

Windows Store



The Windows Store has all the apps you're looking for. Start searching for apps in top categories such as games, entertainment, music, sports, eBooks, News, Food & Dining, Travel and more.

Many are free and premium apps are available as well.

Compliance Information

FCC NOTICE

The following statement applies to all products that have received FCC approval. Applicable products bear the FCC logo, and/or an FCC ID in the format FCC ID:2AAP6M8018 on the product label.

This mobile device complies with part 15 of the FCC Rules. Operation is subjected to the following two conditions: This mobile device may not cause harmful interference, and this mobile device must accept any interference received, including interference that may cause undesired operation. This mobile device has been tested and found to comply with the limits for a Class B digital device, pursuant to Part 15 of the FCC Rules. These limits are designed to provide reasonable protection against harmful interference in a residential installation. This equipment generates, uses and can radiate radio frequency energy and, if not installed and used in accordance with the instructions, may cause harmful interference to radio or television reception, which can be determined by turning the equipment off and on, the user is encouraged to try to correct the interference by one or more of the following measures:

- Reorient or relocate the receiving antenna.
- Increase the separation between the equipment and receiver.
- Connect the equipment into an outlet on a circuit different from that to which the receiver is connected.
- Consult the dealer or an experienced radio/TV technician for help.

Changes or modifications not expressly approved by the party responsible for compliance could void the user's authority to operate the equipment. The antenna(s) used for this transmitter must not be co-located or operating in conjunction with any other antenna or transmitter.

Warning Statement

This device complies with Part 15 of the FCC Rules. Operation is subject to the following two conditions:

- (1) This device may not cause harmful interference.
- (2) This device must accept any interference received, including interference that may cause undesired operation.

Compliance Information

RF EXPOSURE INFORMATION (FCC SAR)

DEVICE MEETS THE GOVERNMENT'S REQUIREMENTS FOR EXPOSURE TO RADIO WAVES.

This device is designed and manufactured not to exceed the emission limits for exposure to radio frequency (RF) energy set by the Federal Communications Commission of the U.S. Government.

The exposure standard for wireless mobile devices employs a unit of measurement known as the Specific Absorption Rate, or SAR. The SAR limit set by the FCC is 1.6W/kg. Tests for SAR are conducted using standard operating positions accepted by the FCC with the device transmitting at its highest certified power level in all tested frequency bands. Although the SAR is determined at the highest certified power level, the actual SAR level of the device while operating can be well below the maximum value. This is because the device is designed to operate at multiple power levels so as to use only the power required to reach the network.

In general, the closer you are to a wireless base station antenna, the lower the power output.

The highest SAR value for the device as reported to the FCC when tested for use when worn on the body, as described in this user guide, is 0.748 W/kg. (Body-worn measurements differ among device models, depending upon available accessories and FCC requirements.)

While there may be differences between the SAR levels of various devices and at various positions, they all meet the government requirement. The FCC has granted an Equipment Authorization for this device with all reported SAR levels evaluated as in compliance with the FCC RF exposure guidelines. SAR information on this device is on file with the FCC and can be found under the Display Grant section of www.fcc.gov/oet/ea/fccid/ after searching on FCC ID:2AAP6M8018.

Compliance Information

Warning Statement

Operation is subject to the following two conditions:

this device may not cause interference, and this device must accept any interference, including interference that may cause undesired operation of the device.

IMPORTANT NOTICE: IC Radiation Exposure Statement

This EUT is compliance with SAR for general population/ uncontrolled exposure limits in IC RSS-102 and had been tested in accordance with the measurement methods and procedures specified in IEEE 1528. This equipment should be installed and operated with minimum distance 0.5cm between the radiator and your body.

this device and its antenna (s) must not be colocated or operating in conjunction with any other antenna or transmitter.

WARRANTY

ONE-YEAR LIMITED WARRANTY ON PARTS AND 90 DAYS ON LABOR

DOPO provides a warranty to the original purchaser of a new Product against defects in materials and workmanship for a period of one year of non-commercial usage and ninety(90)days if commercial use. If a Product covered by this by this warranty is determined to be defective within the warranty period, DOPO will either repair or replace the unit at its sole option and discretion.

PARTS AND LABOR

There will be no charge for parts or labor during the first ninety (90) days of the warranty period.

Thereafter and up to one year from the date of purchase, parts only are under warranty.

There will be a labor fee if repairs are required during this time. Replacement parts and units may be new or recertified at DOPO'S option and sole discretion.

Replacement parts and units are warranted for the remaining portion of the original warranty or for ninety (90) days from warranty service or replacement, whichever is greater.

TYPE OF SERVICE

Defective Products must be sent to a DOPO service center to obtain warranty service. DOPO is not responsible for transportation costs to the service center, but DOPO will cover return shipping to the customer. Pre-authorization is required before sending any unit in for warranty service.

Product returns to DOPO'S service centers must utilize either the original box and shipping material or packaging that affords an equal degree of protection. DOPO Technical Support will provide instructions for packing and shipping the covered Product to the DOPO service center.

WARRANTY

Limitations and Exclusions

DOPO'S one-year limited warranty only covers defects in materials and workmanship. This warranty does not cover: cosmetic damage, units that are dropped, normal wear and tear, improper operation, improper voltage supply or power surges, signal issues, damages from shipping, acts of God, any type of customer misuse, modifications or adjustments, as well as installation and set-up issues or any repairs attempted by anyone other than by a DOPO authorized service center. Products with unreadable or removed serial numbers, or requiring routine maintenance are not covered. This one year limited warranty does not cover Products sold: "AS IS", "FACTORY RECERTIFIED" or by a non-authorized reseller.

THERE ARE NO EXPRESS WARRANTIES OTHER THAN THOSE LISTED OR DESCRIBED ABOVE. ANY IMPLIED WARRANTIES, INCLUDING ANY IMPLIED WARRANTY OF MERCHANTABILITY AND FITNESS FOR A PARTICULAR PURPOSE, SHALL BE LIMITED IN DURATION TO THE PERIOD OF TIME SET FORTH ABOVE. DAGE'S TOTAL LIABILITY FOR ANY AND ALL LOSSES AND DAMAGES RESULTING FROM ANY CAUSE WHATSOEVER INCLUDING DAGE'S NEGLIGENCE, ALLEGED DAMAGE, OR DEFECTIVE GOODS, WHETHER SUCH DEFECTS ARE DISCOVERABLE OR LATECT, SHALL IN NO EVENT EXCEED THE PURCHASE PRICE OF THE PRODUCT, DAGE SHALL NOT BE RESPONSIBLE FOR LOSS OF USE, LOSS OF INFORMATION OR DATA, COMMERCIAL LOSS, LOST REVENUE OR LOST PROFITS, OR OTHER INCIDENTAL OR CONSEQUENTIAL DAMAGES.

Some states do not allow limitations on how long an implied warranty lasts or the exclusion of incidental or consequential damages, so the above limitations or exclusions may not apply to you. This warranty gives you specific legal rights, and you may also have other rights, which vary from state to state. THIS WARRANTY IS SUBJECT TO CHANGE WITHOUT NOTICE.



SERVICE CENTER

1941 S Vineyard Ave., Unit #6

Ontario, CA 91761

Hours: 7:00AM - 9:00PM CST

TO OBTAIN WARRANTY SERVICE

Contact DOPO Technical Support

Email: TechSupport@doublepowertech.com

Phone: 1-800-838-3315

from 7:00AM to 9:00PM CST Monday - Saturday

Pre-authorization must be obtained before sending any product to the Service Center. Proof of purchase in the form of a purchase receipt or copy is required to show that a product is within the warranty period.

Please provide all information when filling out the request on our website. If you'd like to speak with us, put in that request as well. You will receive a email back or call back within 1 business day.