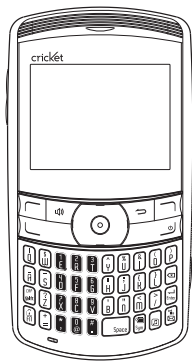


# TXTM8 3G User Guide



cricket

# Table of contents

<b>Safety</b> .....	<b>4</b>
About your device .....	4
<b>Before using your phone</b> .....	<b>6</b>
Handset description .....	6
Battery usage .....	7
Battery charging .....	7
Battery handling information .....	8
<b>Basic operation</b> .....	<b>9</b>
Turning the phone on/off .....	9
Accessing the menu .....	9
Using MyHomeScreen .....	10
Accessing the menu map .....	10
Basic functions .....	11
Making a call through the contact list .....	13
Mute/Unmute a call .....	13
<b>Memory function</b> .....	<b>15</b>
Storing a phone number .....	15
Entering letters, numbers & symbols .....	15
<b>Recent calls</b> .....	<b>16</b>
All calls .....	16
Missed calls .....	17
Incoming calls .....	17
Outgoing calls .....	17
Call timers .....	17

<b>Messages</b> .....	<b>18</b>
Send text message .....	18
Send picture message .....	18
Voicemail .....	19
Conversations .....	19
Drafts .....	20
Settings .....	20
<b>E-mail</b> .....	<b>21</b>
Launch Brew .....	21
<b>Contacts</b> .....	<b>22</b>
My Backup .....	22
Contact list .....	22
Add new entry .....	22
Speed dial .....	23
Group .....	23
Service number .....	24
My phone number .....	24
<b>Browser</b> .....	<b>24</b>
Browser menu .....	24
<b>Game &amp; Apps</b> .....	<b>26</b>
<b>Multimedia</b> .....	<b>26</b>
Camera .....	26
Video Recorder .....	27
My Pictures .....	27
My Videos .....	28
My Sounds .....	29
My Ringtones .....	29
<b>Music</b> .....	<b>29</b>

Music Player .....	29
Music Files .....	30
Music Lists .....	30
<b>Tools</b> .....	<b>31</b>
Voice service .....	31
Schedule .....	32
Alarm .....	33
Memo pad .....	34
Calculator .....	34
World time .....	35
Tip calculator .....	35
Stop watch .....	35
Unit converter .....	35
<b>Bluetooth</b> .....	<b>36</b>
Bluetooth .....	36
<b>Settings</b> .....	<b>38</b>
Display .....	38
Sounds .....	39
Call .....	41
Security .....	42
Phone .....	43
Mass Storage .....	44
Memory info .....	45
Phone info .....	45
<b>Care and maintenance</b> .....	<b>46</b>
<b>Warranty</b> .....	<b>47</b>
One (1) year limited warranty (U.S.) .....	47
<b>Additional safety information</b> .....	<b>53</b>

Small children .....	53
Operating environment .....	53
Medical devices .....	54
Vehicles .....	56
Potentially explosive environments .....	57
Emergency calls .....	57
Certification information (SAR) .....	58
Safety information for fixed wireless terminals potentially explosive atmospheres .....	59
Interference to medical devices .....	59
Exposure to RF energy .....	59
Body-worn operation .....	59
FCC compliance information .....	60
U.S.A. U.S.Federal communications commission radio frequency interference statement .....	60
FCC hearing-aid compatibility (HAC) regulations for wireless devices .....	61

# Safety

Read these simple guidelines. Not following them may be dangerous or illegal. Read the complete user guide for further information.

## Power on safely

Do not power on the device when and where prohibited or when it may cause interference or danger.

## Road safety comes first

Obey all local laws. Always keep your hands free to operate the vehicle while driving. Your first consideration while driving should be road safety.

## Interference

All wireless devices may be susceptible to interference, which could affect performance.

## Turn device off in restricted areas

Follow all warnings. Turn device off in aircraft, near medical equipment, fuel, chemicals, or blasting areas.

## Qualified service

Only qualified personnel may install or repair this product.

## Accessories and batteries

Use only approved accessories. Do not connect incompatible products.

## Water-resistance

Your device is not water-resistant. Keep it dry.

## About your device

The wireless device described in this guide is approved for use on the CDMA 800, 1700, 1900 and 2100 MHz networks. Contact your service provider for more information about networks.

When using the features in this device, obey all laws and respect local customs, privacy and legitimate rights of others, including copyrights.

Copyright protection may prevent some images, music, and other content from being copied, modified, or transferred.

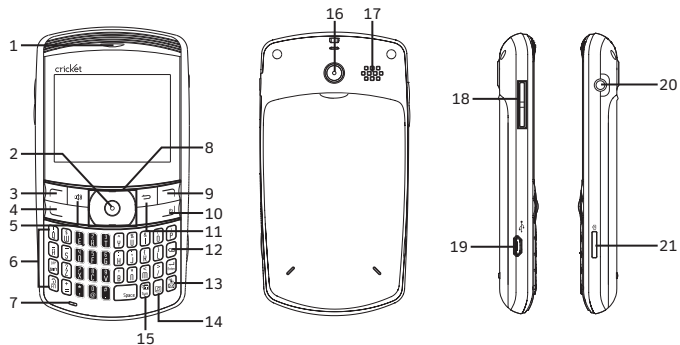
Warning: To use any features in this device, other than the alarm clock, the device must be powered. Do not power the device on when wireless device use may cause interference or danger.

Remember to make back-up copies or keep a written record of all important information stored in your device.

When connecting to any other device, read its user guide for detailed safety instructions. Do not connect incompatible products.

# Before using your phone

## Handset description



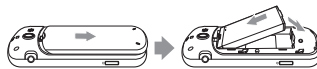
- |                     |                   |                     |
|---------------------|-------------------|---------------------|
| 1. Earpiece         | 8. Navigation key | 15. Schedule key    |
| 2. OK key           | 9. Contacts menu  | 16. Camera lens     |
| 3. Menu key         | 10. End key       | 17. Speaker         |
| 4. Send key         | 11. Back Key      | 18. Side volume key |
| 5. Speakerphone key | 12. Delete key    | 19. Charger port    |
| 6. QWERTY keyboard  | 13. Messages key  | 20. Headset port    |
| 7. Microphone       | 14. Music key     | 21. Camera key      |

6 Before using your phone

## Battery usage

### Battery installation

1. Remove the battery cover from the unit.
2. Slide the battery into the slot located at the bottom of the unit and press until you hear the "Click".



### Battery removal

1. To remove the battery, push down on the top of the battery while inserting your finger into the slot and pulling up from the back of the battery and slide it out.
2. Align the cover tabs with the slots at the top of the device and slide the battery cover back onto the unit.

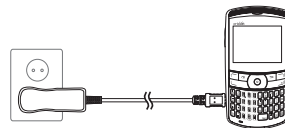


**note** If the battery is not installed properly, the handset will not turn on and/or the battery may detach during use.

## Battery charging

### Power connection

1. Plug the AC Charger into a standard outlet.
2. Plug the other end of the AC Charger into the charging port on your phone. The battery must be installed in the device to charge properly.



### note

- When you charge the battery with the phone powered off, you will see a charging status screen. You cannot operate the phone until it is powered on.

Before using your phone 7

- Fully charge the battery before use.
- Battery operating time gradually decreases over time.
- If the battery fails to perform normally, you may need to replace the battery.

## Battery handling information

### Do's

- Only use the battery and charger approved by the manufacturer.
- Only use the battery for its original purpose.
- Try to keep batteries in a temperature between 41°F (5°C ) and 95°F (35°C).
- If the battery is stored in temperatures above or below the recommended range, give it time to warm up or cool down before using.
- Completely drain the battery before recharging.
- Store the discharged battery in a cool, dark, and dry place.
- Purchase a new battery when its operating time gradually decreases after fully charging.

- Properly dispose of the battery according to local laws.

### Don'ts

- Do not attempt to disassemble the battery – it is a sealed unit with no serviceable parts.
- Do not short circuit the battery by carrying it in your pocket or purse with other metallic objects such as coins, clips and pens. This may critically damage the battery.
- Do not leave the battery in hot or cold temperatures. This could significantly reduce the capacity and lifetime of the battery.
- Do not dispose of the battery into a fire.

# Basic operation

## Turning the phone on/off

### Turning the phone on

1. Press the END Key until the Cricket logo appears and the tone sounds.

#### **note**

- If “Password” appears on the display enter your 4-digit password to unlock your phone.
- The default password is the last 4 digits of your phone number.

### Turning the phone off

1. Press and hold the END Key until the Cricket logo appears.

#### **note**

- Immediately recharge or replace the battery when the warning “Please recharge battery soon” appears on the display.
- Turn the phone off before removing or replacing the battery. If the phone is on, unsaved data may be lost.

## Accessing the menu

Your phone can be customized via the menu. Each function can be accessed by scrolling with the Navigation Key or by pressing the number that corresponds with the menu item.

1. To access the menu in the idle mode, press the Left Soft Key **Menu**.
  2. Press the Navigation Key left, right, up or down to choose the menu item, then press the OK Key. Press the Navigation Key up or down to scroll through the submenus for each menu item.
- note** If you are in the menu, press the Navigation Key left or right to choose another menu item.
3. To return to the previous page, press the Back Key. To exit the current menu and return to the idle mode, press the END Key.

## note

- Navigation Key up or down: To scroll through the Widgets Menu.
- Navigation Key left: Messages
- Navigation Key right: Browser

## Using MyHomeScreen (widgets)

The MyHomeScreen menu (located along the left hand side of the idle screen display) provides quick access to features like Personalize, Horoscope, Weather, Sports, Stock, Storefront and keeps them organized and easily accessible.

1. To access the MyHomeScreen menu in the idle mode, press the Navigation Key up or down to scroll through the MyHomeScreen Menu or press the OK Key and then press the Navigation Key up or down to scroll thru the widget options.
2. To scroll through the Widget sub options, press the Navigation Key left, right, up or down. Press the OK Key to select an option.
3. To exit MyHomeScreen and return

to the idle mode, press the END Key. To exit a widget, press the Back or END Key.

## note

- The default widget Menu items - Personalize, My Account and Storefront - cannot be changed, deleted, or moved.

## Accessing the menu map

### 1. Recent Call

1. All Calls
2. Missed Calls
3. Incoming Calls
4. Outgoing Calls
5. Call Timers

### 2. Messages

1. Send Message
2. Voicemail
3. Conversations
4. Draft
5. Settings

### 3. E-mail

### 4. Contacts

1. Contact List
2. Add New Entry
3. Speed Dial
4. Group

### 5. Service Number

6. My Phone Number

### 5. Browser

### 6. Game & Apps

### 7. Multimedia

1. Camera
2. Video Recorder
3. My Pictures
4. My Videos
5. My Sounds
6. My Ringtones

### 8. Music

1. Music Player
2. Music files
3. My Lists

## 9. Tools

1. Voice Service
2. Schedule
3. Alarm
4. Memo Pad
5. Calculator
6. World Time
7. Tip Calculator
8. Stop Watch
9. Unit Converter

## 10. Navigation

## 11. Bluetooth

## 12. Settings

1. Display
2. Sounds
3. Call
4. Security
5. Phone
6. Mass Storage
7. Memory Info
8. Phone Info

## Basic functions

### Making a call

1. Enter a phone number.

**note** To modify the phone number you have entered :

- To erase one digit at a time press the Delete Key.
- To erase the entire number, press and hold the Delete Key.

2. Press the SEND Key.

## note

- If “CALL FAILED” appears on the display or the line is busy, press the END Key.

- If you activate the “AUTO RETRY” function, the phone will automatically retry the number until you select the END Key.
- If “Please Enter Lock Code” appears on the display enter your 4-digit password to unlock your phone.
- The default password is the last 4 digits of your phone number.

3. To end a call, press the END Key.

### Call answer

1. To answer an incoming call, press the SEND Key to answer the incoming call. (Depending on your phone's settings, you may also answer incoming calls by pressing any key. See page 41 for details.)

**note** To reject incoming calls, press the Right Soft Key **Reject** or press the END Key.

2. To end a call, press the END Key.

### Wait/pause feature

Pauses are used for automated systems (i.e., Voicemail, calling cards).

Insert a pause after a phone number then enter another group of numbers. The second set of numbers is dialed automatically after the pause. This feature is useful for dialing systems that require a code.

1. To insert a wait/pause, enter a phone number then press the Right Soft Key **Options**. Select either a Type 'P' ("P" appears) or a Type 'T' ("T" appears).

#### **note**

- Type "P": A hard pause stops the calling sequence until further input from you.
  - Type "T": A pause stopping the calling sequence for two seconds and then automatically sends the remaining digits.
2. Press the SEND Key to dial or Left Soft Key **Save** to save the number.

### 3-way calling

With 3-Way Calling, you can talk to two people at the same time.

1. Enter a number you wish to call then press the SEND Key.

2. Once you have established the connection, enter the second number you wish to call then press the SEND Key.
3. When you're connected to the second party, press the SEND Key again to begin your 3-Way call.

**note** 3-way calling is a system dependent feature. Please contact your service provider for details.

### Caller ID function

Identifies caller by displaying their phone number. If the caller's name and number are stored in the phone book, their name will appear. This is a system dependent feature. Please contact your service provider for details.

### Call waiting function

Notifies you of an incoming call when you are already on a call by sounding a beep tone and displaying the caller's phone number.

1. To answer another call while on the

phone, press the SEND Key. This places the first call on hold.

To switch back to the first caller, press the SEND Key again.

**note** Call Waiting is a system dependent feature. Please contact your service provider for details.

### Adjusting volume

1. During a call, press Side Volume Scroll Key up or down to adjust the earpiece volume.

### Making a call through the contact list

#### One-touch/two-touch dialing

Ideal for frequently dialed numbers, this feature allows entries in your contact list to be dialed via the keypad with only one or two key presses. In order for One-Touch/Two-Touch Dialing to properly work, it must be enabled.

#### One-touch dialing

- 2-9: Press and hold the corresponding

memory number for more than 1 second.

### Two-touch dialing

10-99: Enter the first digit and press and hold the second digit for more than 1 second.

#### **note**

- If no phone number is stored in the location entered, "Speed dial is empty" will appear on the screen.
- If One Touch Dial is set to Off: Enter the speed dial location number then press the SEND Key.
- Location 1 is reserved for voicemail. Location 2-99 are unassigned. To assign a speed dial location, please see page 23.

### Mute/Unmute a call

1. During a call, press the Left Soft Key **Mute**.

- **Mute (Unmute):** If you press Mute during a call, the person you are speaking with cannot hear you or any sounds from your side of the conversation.

However, you can still hear them.

- To Unmute, press the Left Soft Key **Unmute**.
- The phone will automatically unmute in Emergency Call or Callback Mode.

**During a call**, press the Right Soft Key “Options” for;

- **Voice Memo:** To record a voice memo during a call.
- **Recent Calls:** To select a phone number from your Recent Calls List during a call.
- **Contacts:** To view a phone number from your Contact list during a call.
- **Messaging:** To send a text message (SMS) during a call.
- **Bluetooth:** When user is calling with TXTM8 3G mobile phone, user can select Bluetooth in order to call with Bluetooth headset.

## Making an emergency call

The 911 feature puts the phone in the Emergency Call Mode when you dial the preprogrammed emergency number, 911. It also operates in Lock Mode and outside the service area.

### 911 in lock mode

The 911 call service is available even in Lock Mode.

1. Enter “911”, then press the SEND Key.
2. The call connects.
3. When the call ends, the phone returns to Lock Mode.

### 911 using any available system

1. Enter “911”, then press the SEND Key.
2. The call connects.
3. The phone maintains the Emergency Mode and the phone can receive an incoming call from any available system. However, it cannot make a call while still in Emergency Callback Mode.

# Memory function

## Storing a phone number

The phone book stores up to 1000 entries.

1. Enter phone number then press the Left Soft Key **Save**.
2. Select “New Entry” or “Existing Entry”.
3. If “Existing Entry” is selected, your contact list is displayed. Choose the entry to add the number, then press the OK Key. Select the phone type you are adding from the list, then press the OK. If a phone number is already assigned to the category you selected, press the OK Key **Save**.
4. If “New Entry” is selected, the New entry list appears. Press the Navigation Key up or down to choose the type of Phone you are adding. Enter a name. Press the Navigation Key down to enter information in other fields for the

contact. Fields include “Photo”, “Name”, “Mobile”, “Home”, “Office”, “Fax”, “Other Number”, “Email”, “Ringtone”, “Group”, “Birthday”, “Memo”. Press the OK Key **Save**.

## Entering letters, numbers & symbols

The TXTM8 3G has a fully functional QWERTY keypad that provides a superior typing experience for easy and comfortable input. See following key descriptions on the diagram and corresponding numbered paragraph.



1. Cap/Shift Key: To type upper-case letters, press the CAP/Shift Key and then press one or more letter keys. To type upper-case letters only, press the FN Key and then press



the CAP/Shift Key. The CAP icon will appear on the screen. To return to typing lower-case letters, press the FN Key again. To type an upper-case for the first letter of a word only, simply press the CAP/Shift Key once. Then, the first letter you type will be an upper-case while the rest will be normal letters.

2. FN Key: To type the special character or numbers that appear on the keys, press the FN Key and then press one or more special character or numbers keys. To type special characters or numbers consecutively, use the FN-LOCK mode. To change to the FN-LOCK mode, press the FN Key twice. You can type special characters or numbers only in this mode. To deactivate, press the FN Key again. To type a special character or number for the first letter of a word only, simply press the FN Key once. Then, the first letter you type will be a special character or number while the rest will be normal letters.

3. Space Key: Press the Space Key to type a blank space.
4. Sym Key: Press to open symbols list.
5. Enter Key: Press the Enter Key to insert a line break.
6. Delete Key: Press the Delete Key to delete a character to the left of the text cursor. Press and hold to delete the entire entry.

## Recent calls

### All calls

1. Press the Left Soft Key **Menu** > **Recent Calls** > **All Calls**. If the number is already stored in your contact list, only the name appears. If the number is not stored, the number appears.
2. To view details, press the OK Key.

**note** When All Call list is full (240 records), the oldest call will automatically be erased from list with next new call record.

### Missed calls

1. Press the Left Soft Key **Menu** > **Recent Calls** > **Missed Calls**. If the number is already stored in your contact list, only the name appears. If the number is not stored, the phone number appears.
2. To view missed call details, press the OK Key.

**note** When Missed Call list is full (80 records), the oldest call will automatically be erased from list with next new missed call record.

### Incoming calls

1. Press the Left Soft Key **Menu** > **Recent Calls** > **Incoming Calls**. If the number is already stored in your contact list, only the name appears. If the number is not stored, the number appears.
2. To view incoming call details, press the OK Key.

**note** When Incoming Call list is full (80 records), the oldest call will

automatically be erased from list with next new incoming call record.

### Outgoing calls

1. Press the Left Soft Key **Menu** > **Recent Calls** > **Outgoing Calls**. If the number is already stored in your contact list, only the name appears. If the number is not stored, the number appears.
2. To view outgoing call details, press the OK Key.

**note** When Outgoing Call list is full (80 records), the oldest call will automatically be erased from list with next new outgoing call record.

### Call timers

Checks the usage time and manages your calls within the limit you set. The 11 timers include (Last Call, Outgoing Calls, Incoming Calls, Home Calls, Roam Calls, All Calls, Lifetime Calls, Transmitted KB, Received KB, Total KB, Lifetime Data Counter, Last Reset):

1. Press the OK Key **Menu > Recent Calls > Call Timers**.
2. To reset all timers, press the Right Soft Key **Reset All**. “Reset all?” will be displayed. Select “Yes” and press the OK Key.

## Messages

### Send text message

To send a new text message:

1. Press the Left Soft Key **Menu > Messages > Send Message**.
2. Under “Send To”, input the recipient’s phone number.
  - Press the Right Soft Key **Options**. (Recent Calls, Contacts, Group Lists)
3. Press the OK Key **Message**. Under “SMS”, input your message.
  - Press the Right Soft Key **Options**. (Preset Msg., Add Picture, Add Video, Add Sound, Add vCard, Attach Contact, Preview, Save as

Draft, Delivery)

4. Press the OK Key **Recipient**. To send the message, press the Left Soft Key **Send**.

### Send picture message

To send a new picture message:

1. Press the Left Soft Key **Menu > Messages > Send Message**.
2. Under “Send To”, input the recipient’s phone number.
  - Press the Right Soft Key **Options**. (Recent Calls, Contacts, Group Lists)
3. Press the OK Key **Message**. Under “SMS”, input your message.
4. Press the Right Soft Key **Options**. Select “Add Picture”, “Add Video”, “Add Sound” or “Add vCard”.
5. Scroll to desired content folder and press the OK Key.
6. Scroll to the desired picture, video or sound, press the Right Soft Key **Select**.

7. Press the OK Key **Recipient**. Under “Send To”, input the recipient’s phone number and subject.
  - Press the Right Soft Key **Options**. (Recent Calls, Contacts, Group Lists)
8. To send the multimedia message, press the Left Soft Key **Send**.

### Voicemail

Voicemail allows callers to leave voice messages in your voice mailbox, and lets you review, play, and delete your voice messages any time you are in your Carrier’s network coverage area.

### Call voicemail

1. Press the Left Soft Key **Menu > Messages > Voicemail > Call Voicemail**.

To quickly access voicemail, press and hold the 1 key. Follow voice prompts.

### Details

View last voicemail information.

1. Press the Left Soft Key **Menu > Messages > Voicemail > Details**.

### Clear notification

Delete the voicemail icon.

1. Press the Left Soft Key **Menu > Messages > Voicemail > Clear Notification**.

### Conversations

The Inbox manages received text/picture/video messages and manages sent messages.

1. Press the Left Soft Key **Menu > Messages > Conversations**.
2. To delete a message, press the Right Soft Key Options, and select Erase, then select “Yes” and press the OK Key. To delete all messages, press the Right Soft Key Options, and select Erase All, then then select “Yes” and press the OK Key.

3. To display a message, scroll to the message and press the OK Key. The message is displayed. Press the Right Soft Key **Options** to send the selected message.

- Press the Right Soft Key **Options**. (Edit, Retry Sending, Show Contact, Send Message, Erase, Forward, Erase All)

## Drafts

The Draft folder contains messages that are not yet ready to send. If message composition is interrupted by a voice call or other interrupting event, the text of the current composition is automatically saved in the drafts folder.

1. Press the Left Soft Key **Menu** > **Messages** > **Drafts**.
2. Select a message then press the OK Key.
  - Press the Right Soft Key **Options**. (Edit/Send, Forward, Save Contact, Erase, Erase All)

3. To edit the message. Press the Right Soft Key **Options**. Select "Edit/Send". Edit the message.
4. Under "Send To", input the recipient's phone number.
5. Press the OK Key **Message**. Under "SMS", input your message.
6. Press the OK Key **Recipient**. To send the message, press the Left Soft Key **Send**.

## Settings

1. Press the Left Soft Key **Menu** > **Messages** > **Settings**.
  - Entry Mode: To set a entry mode. Select "Abc", "ABC" or "Function Lock".
  - Notification: To set a notification. Select "Msg. & Icon" or "ICON Only".
  - Message Reminder: To set a message remind. Select "Off" or "1 Min".
  - Auto Save: To automatically save a message after sending, select "Auto Save", "Prompt" or

"Do Not Save".

- Auto Erase: Automatically erases Inbox messages when new messages arrive. Select "On" or "Off". Oldest message erased from Inbox automatically when Inbox is full.
- Auto View: To set Auto View. Select "On" or "Off".
- Auto Retrieve: To set Auto Retrieve. Select "Auto" or "Manual".
- Callback #: Allows you to input a specific callback number. Callback numbers are used in text messaging so the other party knows how to get back to you. Select "None", "MDN" or "Custom".
- Voice Mail #: To set your voicemail number. (Default setting is \*99)
- Signature: To create a signature that can be automatically inserted at the end of a text message. Select "None" or "Custom". If you select "Custom", the signature input screen appears.

- Msg Receipt: To set Msg Receipt. Select "On" or "Off".
  - Preset Messages: The preset messages are displayed.
2. Press the OK Key to save the setting.

## E-mail

### Launch Brew

Allows you to download an Email application from MobileShop Application Download Server. Once, you have setup the Email application, you can send and receive Email messages with your device.

1. Press the Left Soft Key **Menu** > **Email**.
2. Select the Launch Brew then MobileShop application manager will launch a link and provide the download for Email applications.
3. Follow the instructions on your screen to setup the Email application.

4. After you have download and setup the Email application, you can start to use it with step 1.

## Contacts

### My Backup

The My Backup application will backup your contact list perform regular updates and download contacts. Please contact your Service Provider for details including associated service costs.

### Contact list

Retrieves an entry by name and calls the primary number by simply pressing the SEND Key. You can review all the entries stored in your Contact list or quickly find an entry by entering a name or its character string.

1. Press the Left Soft Key **Menu** > **Contacts** > **Contact List**.
2. The list of names in your contacts

is displayed alphabetically.

3. Enter a name or its character string or scroll through the list by pressing the Navigation Key up or down.

**note** Selecting My Backup will launch this preloaded application at Game & Apps.

### Add new entry

To add a new entry:

1. Press the Left Soft Key **Menu** > **Contacts** > **Add New Entry**.
2. Fill in the fields as they are selected. Press the Navigation Key up or down to select a field.
  - Phone book fields: Photo, Name, Phone number (Mobile, Home, Office, Fax, Other Number), Email, Ringtone, Group (No Assigned, Family, Friends, Work), Birthday, Memo

**note** See page 15 for more detailed information about storing a number.

### Speed dial

In idle mode, calls can be placed to numbers stored in speed dial by pressing & holding the location number on the key pad. For a 2-digit location number, press the first number, then press and hold the second number.

**note** Speed Dial must be activated.

1. Press the Left Soft Key **Menu** > **Contacts** > **Speed Dial**.
2. To assign a phone number to a speed dial location, select the speed dial location, then press the OK Key **Assign**. Scroll to the contact number desired and press the OK Key **Assign**.
  - Press the Right Soft Key **Options**. (Msg., Prepend, Erase)

**note** The “Prepend” option allows additional numbers to be added prior to the Contact phone number you are calling. You can prepend the international dialing number, area code or calling card number before

the phone number you try to call.

- “Empty” appears if the location is available.
  - Location 1 is reserved for voicemail.
3. Scroll to the contact in the list.
  4. If more than one number exists for the contact, press the Navigation Key left or right to select the phone number for the speed dial location. The Speed Dial number assigned will be displayed to the right of the contact in the contact list.

### Group

Allows you to classify phone entries into groups. Existing groups include No Group, Family, Friends, Work.

### Add new group

1. Press the Left Soft Key **Menu** > **Contacts** > **Group**.
2. Press the Left Soft Key **Add** to add a new group name.
3. Input a new group name.
4. To save it, press the OK Key **OK**.

5. "Save this entry?" will be displayed. Select "Yes" and press the OK Key.
  - Press the Right Soft Key **Options**. (Ringtone, Add Member, Rename, Erase Group)

### Change group name

1. Press the Left Soft Key **Menu** > **Contacts** > **Group**.
2. Select an existing group name. Only groups you created can be renamed.
3. Press the Right Soft Key **Options**, then scroll to "Rename", press the OK Key.
4. Input a new group name.
5. Press the OK Key **OK** to save the setting.
6. "Save this entry?" will be displayed. Select "Yes" and press the OK Key.

### Service number

Your Contact list is preprogrammed with contact numbers for various services.

1. Press the Left Soft Key **Menu** > **Contacts** > **Service Number**.
2. Select the number (Info "411" / Cust Svc "611" / Cust Care ""611" / \*Pay ""729") then press the OK Key.
3. Press the SEND Key to call.

### My phone number

Displays your phone number.

1. Press the Left Soft Key **Menu** > **Contacts** > **My Phone Number**.
2. Your phone number will be displayed.

## Browser

To access the browser:

1. Press the Left Soft Key **Menu** > **Browser**.

### Browser menu

1. Go to: "Go home" is selected from the Browser Menu, the phone displays the homepage. "Go to URL" allows you to manually

enter the URL address of a website. After entering an address, press the OK Key. "Backward" is selected from the Browser Menu, the browser will be displayed the Backward page. "Forward" is selected from the Browser Menu, the phone displays the next page in the history. This is only available if the user has navigated backward in the history. "Reload" from the Browser Menu refreshes the current page.

2. History: The Browser let user's see visited page.
3. Bookmarks: "Add bookmark" is selected from the Browser Menu, the user can add bookmark that the user often go to web site. "Manage bookmark" is selected from the Browser Menu, the user can manage bookmark about add, modify, delete bookmark and add, modify, delete folder.
4. Save item: When the "Save item" item is selected from the Browser

Menu, in the current page, if the item(image, audio) file existed, the user can be save that item.

5. New feeds: When the "News feeds" item is selected from the Browser Menu, the user can be add rss site.
6. Tools: "Search in page" is takes user to Search page. "Page info" is the Browser shows information of current page. "Browser info" is the Browser shows information of the Browser.
7. Display: "Optimized screen" is the Browser shows web page with fit in display size. "Zoom" is The Current page can be enlarge/become small. "Page map" is the view screen: in device's screen. The canvas screen: real page size. The Page map show relative position between the canvas screen and the view screen.
8. Settings: The Settings provides to manage Font size, Character

encoding, Load image, cookie, cache, and so on.

9. Copy text on: When the “Copy text on” item is selected from the Browser Menu, the user can be copy through mark and copy menu.

## Game & Apps

To access Game & Apps (note: charges apply to download games and applications):

1. Press the Left Soft Key **Menu** > **Game & Apps**.
2. To browse and purchase new Games & Apps, select the Shopping Cart. Browse through the catalog and press the OK Key to select an application and price plan. Then follow the prompts to download the application. Repeat this process for each additional application.
3. To exit “Game & Apps”, press the END Key.

## Multimedia

### Camera

#### Take picture

1. Press the Left Soft Key **Menu** > **Multimedia** > **Camera**, or press the Side Camera Key.
2. Point the camera lens at your subject. You can check the picture framing through the display screen.
  - Zoom - Press the Navigation Key up or down (No zoom at 1600x1200 resolution).
3. Pressing the Right Soft Key **Options**, you can choose from the following:
  - Mode: Camera, Vodeo
  - Resolution: 1600 x 1200, 1280 x 960, 640 x 480, 320 x 240
  - Self Timer: Off, 2 Seconds, 5 Seconds, 10 Seconds
  - Mirror: Normal, Vertical, Horizontal
  - Quality: Economy, Normal, Fine
  - White Balance: Auto, Sunny,

- Cloudy, Fluorescent, Incandescent
- Image Effect: Off, Gray, Negative, Sepia
- Fun Frame: Off, Image1, Image2, Image3, Image4, Image5, Image6, Image7, Image8, Image9
- Settings & Help: Settings, Reset, Helps

**note** To view captured images, press the Left Soft Key **Pictures**.

4. Press the Side Camera Key or press the OK Key to take the picture.
5. Picture will be saved press the OK Soft Key **Save**.

### Video Recorder

1. Press the Left Soft Key **Menu** > **Multimedia** > **Video Recorder**.
2. Point the camera lens at your subject. You can check the video framing through the display screen.
  - Zoom - Press the Navigation Key up or down.
3. Pressing the Right Soft Key

**Options**, you can choose from the following:

- Mode: Camera, Vodeo
  - Resolution: 320 x 240, 176 x 144
  - Self Timer: Off
  - Mirror: Normal, Vertical, Horizontal
  - Quality: Economy, Normal, Fine
  - White Balance: Auto, Sunny, Cloudy, Fluorescent, Incandescent
  - Image Effect: Off, Gray, Negative, Sepia
  - Settings & Help: Settings, Reset, Helps
4. Press the OK Key **Rec** or Side Camera Key to take the video.
  5. To stop recording, press the OK Key **Stop** or Side Camera Key.
  6. Video will be saved press the OK Soft Key **Save**.

### My Pictures

In my Images you can view all the images you have taken.

1. Press the Left Soft Key **Menu** > **Multimedia** > **My Pictures**.

2. Press the Navigation Key up, down, left or right to select your desired images, then press the Right Soft Key **Options**.
3. Select one of the following options:
  - Get New: To get new wallpapers and/or screensavers.
  - Assign: Assigns image as wallpaper to a contact, main display or front display. (Contacts, Wallpaper, Incoming Calls)
  - Erase: To erase a picture stored on your phone.
  - Lock: Lock the selected picture.
  - Protect: Protect the selected picture.
  - Rename Rename the selected picture.
  - Multi Select To select multiple pictures.
  - Erase All: To erase all the pictures in your phone.
  - View Type: Select Icon style or List style.
  - Picture Info: Displays information about the selected picture.

4. To send via picture message, press the Left Soft Key **Send**.

**note** See page 18 for more detailed information about sending picture messages.

### My Videos

In my videos you can view all the video you have taken.

1. Press the Left Soft Key **Menu** > **Multimedia** > **My Videos**.
2. Press the Navigation Key up, down, left or right to select your desired videos, then press the Right Soft Key **Options**.
3. Select one of the following options:
  - Get New: To get new wallpapers and/or screensavers.
  - Erase: To erase a video stored on your phone.
  - Lock: Lock the selected video.
  - Protect: Protect the selected video.
  - Rename Rename the selected video.

- Multi Select To select multiple videos.
- Erase All: To erase all the videos in your phone.
- View Type: Select Icon style or List style.
- Video Info: Displays information about the selected video.

4. To send via video message, press the Left Soft Key **Send**.

### My Sounds

Allows you to record a reminder message that can be up to 4 minutes.

1. Press the Left Soft Key **Menu** > **Multimedia** > **My Sounds**.
2. To record a voice, press the Left Soft Key "Record".
3. To start recording, press the OK Key **in red**. To stop recording and save, press the OK Key.
4. Enter a name or press the OK Key to save the sound.
  - Press the Right Soft Key **Options**. (Record, Assign, Erase, Protect,

Rename, Multi Check, Erase All, Sound Info)

### My Ringtones

This menu displays the list of downloaded ringtones.

1. Press the Left Soft Key **Menu** > **Multimedia** > **My Ringtones**.
2. Scroll through the downloaded ringtones to play the ringtone you want.
  - Get New: To get new ringtones.

**note** Additional charges apply for downloads.

## Music

### Music Player

To access the music player.

1. Press the Left Soft Key **Menu** > **Music** > **Music Player**, or press the Music Key.
2. The music Library screen appears in the display.

## **note**

- Navigation Key up: To play your song random order mode.
  - Navigation Key down: To replay the song mode.
  - Navigation Key left: To start the song over again.
  - Navigation Key right: To skip to the next song.
3. Pressing the Right Soft Key **Options**, you can choose from the following:
    - Minimize: To minimize Music Player.
    - Equalizer: Normal, Rock, Jazz, Classic, Pop, Live, Bass
    - Player Theme: Theme 1, Theme 2, Theme 3
    - Song Info: To see detail information - File name, Title, Artist, Album, Genre, File size
  4. Press the OK Key to pause or play the song.
    - Playlist - Press the Left Soft Key.

## **Music Files**

To access the music files.

1. Press the Left Soft Key **Menu > Music > Music Files**.
2. All songs appears in the display.
3. Pressing the Left Soft Key **Get New**, to get new music.
4. Press the OK Key to pause or play the song.

## **Music Lists**

To access the music lists.

1. Press the Left Soft Key **Menu > Music > My Lists**.
2. The music lists appears in the display.
3. Pressing the Left Soft Key **Get New**, to get new music.
4. Press the OK Key to pause or play the song.

# Tools

## **Voice service**

### Voice command

To use Voice Command:

1. Press the Left Soft Key **Menu > Tools > Voice Service > Voice Command**.
  - Call <Name or #>: Use the Call command to voice dial a name from your Contact list or a phone number. When dialing a number, pronounce each digit, but do not pause noticeably between the digits.
  - Lookup <Name>: Use the Lookup command to retrieve and display information for any name stored in your Contact list.
  - Check <Item>: The Check command lets you check status information for your phone (Status, Signal Strength, Battery). You can say “Check” or “Check Status” to see and hear all status

information.

- Press the Left Soft Key **Tutorial**. Voice Commands menu information appears. To return to the previous page, press the Left Soft Key **Skip**.
- Press the Right Soft Key **Settings**. (Confirmation, Adaptation, Audio Modes, About)

## **note**

- Voice Commands – To use the voice command, press and hold the Speaker Key for 3 seconds. To exit Voice Command, press END Key.
- Speaker Phone – To use the speaker phone, press and release the Speaker Key. The Speaker phone icon is displayed in indicator area. To exit speaker mode, press and release the Speaker Key.

### Voice command settings

1. Press the Left Soft Key **Menu > Tools > Voice Service > Voice Command Settings**.



- Confirmation: You can control when the system asks you to confirm a name or number.
- Adaptation: You can adapt the system to your voice for optimal recognition accuracy. During adaptation, the system will prompt you to speak a series of short phrases. If you need to erase adaptation data and set the system back to the factory default, select Reset Voice.
- Audio Modes: You can control the level of audio guidance provided by the system. In prompt mode (the default), the system prompts for required information. In readout mode, the system prompts for required information and reads out the contents of the screen. In expert mode, audio guidance is provided by beeps only.
- About: Displays information about Nuance Voice command.

## Schedule

Sets an event and reminds you of that event.

### Add new event

1. Press the Left Soft Key **Menu** > **Tools** > **Schedule**.
2. Press the Navigation Key to choose a date in the calendar, then press the Left Soft Key **Add**.
3. The “Add New” screen will be displayed.
  - Title: Enter the event name.
  - Start Date: You can edit the start date for the event.
  - Start Time: Enter the start time. Press the Left Soft Key for **am** or **pm**.
  - End Date: You can edit the end date for the event.
  - End Time: Enter the end time. Press the Left Soft Key for **am** or **pm**.
  - Contents: Enter any notes for the event.
  - Repeat: Press the Navigation

Key left or right to select “None”, “Daily”, “Weekly”, “Monthly” or “Yearly”.

- Notice: Enter when the alert should sound for the event (On Time, 10 min before, 20 min before, 1 hour before, One day before, Off).
  - Ring type: Press the Right Soft Key **List** to select a ringer for the event. Press the OK Key when the ringer is selected.
4. Press the OK Key **Save** to save the event or the Back Key to return to the calendar.
  5. The date of the event will be marked on your calendar.

### View added events

1. Press the Left Soft Key **Menu** > **Tools** > **Schedule**.
2. Scroll to a date in the calendar and press the OK Key to view the event for that day.
3. Press the OK Key **View** to see the details for the event.

- Press the Right Soft Key **Options**. (Add New, Go to Date, Erase Before Entries, Erase Entries, Erase All Entries)

Press the Left Soft Key **Edit** to edit the event, then press the OK Key **Save** to save the event.

### note

- Schedule/Calendar - To quickly access your schedule/calendar, press the Calendar Key. To scroll thru the schedule/calendar, press the right, left, up or down Navigation Key to a specific date. Press the OK Key to select that date and entry events.

## Alarm

1. Press the Left Soft Key **Menu** > **Tools** > **Alarm**.
2. Press the OK Key or Left Soft Key **Add**. To edit an existing alarm, select the alarm name. Press the OK Key **Edit**.
3. To save an alarm setting press the OK Key **Save**.

- **Set:** Press the Navigation Key left or right to select alarm “On” or “Off”.
- **Time:** Use the keypad to set a time for the alarm and the Left Soft Key to select **am** or **pm**.
- **Repeat:** Press the Navigation Key left or right to select “Daily”, “Once”, “Weekdays” or “Weekends”.
- **Snooze:** Press the Navigation Key left or right to select “5 min”, “10 min”, “15 min”, “20 min” or “OFF”.
- **Ring Type:** Press the Right Key **List** to select a ringtone for the alarm sound. Press the OK Key when the ringer is selected.

## Memo pad

Your phone includes an internal memo pad that can be used to compose and store reminders and memos.

### Add new memo

To compose a memo:

1. Press the Left Soft Key **Menu** > **Tools** > **Memo Pad**.

2. To add a new memo, press the Left Soft Key **Add**. Input a new text memo.
3. To save memo, press the OK Key **Save**.

### View memo

To view a saved memo:

1. Press the Left Soft Key **Menu** > **Tools** > **Memo Pad**.  
Scroll to a memo and press the OK Key. Press the Right Soft Key **Erase** to erase the memo or press the Left Soft Key **Edit** to edit the text, then press the OK Key **Save** to save the changes.

## Calculator

To access the calculator:

1. Press the Left Soft Key **Menu** > **Tools** > **Calculator**.
2. To reset, press the Left Soft Key **Clear**.

## World time

To access the World Time:

1. Press the Left Soft Key **Menu** > **Tools** > **World Time**.  
The world map appears with the city, date and time. Press the Navigation Key left or right to select another city.
  - **DST:** Press the Right Soft Key **DST**, specifies whether the current time of the selected place is adjusted to Daylight Savings Time.
  - **Dual:** Press the Left Soft Key **Dual** to set dual time. To display, Dual Clock feature must be turned on. See page 38.

## Tip calculator

To access the Tip calculator:

1. Press the Left Soft Key **Menu** > **Tools** > **Tip Calculator**.
2. Enter the amount of your “Bill”.
  - Press the Left Soft Key **Point(.)** to enter a decimal point.

3. Enter the percentage “Rate”.
4. Enter the “# of people”. Press the OK Key to calculate the result.
  - Press the Right Soft Key **Clear**.

## Stop watch

To access the Stop Watch:

1. Press the Left Soft Key **Menu** > **Tools** > **Stop Watch**.
2. Press the OK Key **Start** to start the stopwatch.
3. Press the OK Key **Lap** to save Lap time and start counting another. Up to 99 laps can be saved.
4. Press the Right Soft Key **Stop** to stop the stopwatch.
5. Press the OK Key **Reset** to reset the stopwatch.

## Unit converter

To access the Unit converter:

1. Press the Left Soft Key **Menu** > **Tools** > **Unit Converter**.

2. Select the desired type of measurement, and then press the OK Key. (Length, Weight, Volume, Area, Temperature, Speed, Currency)

## Bluetooth

### Bluetooth

Using Bluetooth wireless, you can connect the phone wirelessly to other Bluetooth devices, talk hands-free or control the phone remotely. Bluetooth technology allows free wireless connections between all Bluetooth-compliant devices within a range of up to 30 feet. Since the devices communicate using radio waves, they do not need to be in line of sight to each other.

### Bluetooth ON/OFF

To toggle Bluetooth® power On/Off.

1. Press the Left Soft Key **Menu** > **Bluetooth** > **Bluetooth**.

2. Press the Left Soft Key **Turn On**.

**note** When Bluetooth is set to on, a Bluetooth icon will be displayed in the status bar of the display. The grey icon indicates Bluetooth is on but no Bluetooth devices are connected to the phone. The blue icon indicates Bluetooth is on and a Bluetooth device is connected to the phone.

### New device

Pairing is the process that allows the handset to locate, establish and register a 1-to-1 connection with the target device.

1. Press the Left Soft Key **Menu** > **Bluetooth** > **Bluetooth** > **Add New Devices**.
2. “Place device you’re connecting to in discoverable mode” will be displayed. Press the OK Key.
3. Press the Right Soft Key **Info**.
4. The handset will automatically enable Bluetooth functionality and search for nearby Bluetooth

devices.

5. Devices found will appear in the “Add New” list. Press the Navigation Key up or down to select a device, press the OK Key **Pair**.
6. The handset may prompt you for the password. Consult the Bluetooth® accessory (sold separately) instructions for the appropriate password (typically “0000”—4 zeroes). Enter the password, then press the OK Key.
7. Once pairing is complete, the device will be listed in My Devices. If the device is connected, a circular arrow icon will appear to the right of the Bluetooth device.

If a Bluetooth device is not connected, scroll to the device and press the OK Key.

### note

- In the My Device list, to disconnect, press “Disconnected”. To reconnect, press the OK Key again.

- When an audio device is connected, you can select another device and the connection is automatically transferred from that audio device to the other one.
- If multiple devices are displayed, select the device you want to connect.

### Settings

To change Bluetooth settings:

1. Press the Left Soft Key **Menu** > **Bluetooth** > **Bluetooth**.
2. Press the Right Soft Key **Options**.
  - Name: To edit the Bluetooth® name of your phone.
  - Visibility: To select Shown to All or Hidden.
  - Support Service: To view brief descriptions of the Services supported by the phone: Press the Navigation Key up or down to select one of the following Services, then press the OK Key. (Headset/Hands Free/Stereo/Object Push/File Transfer)

- Information: Displays the bluetooth information (Name, Type, Status, Address):

3. Press the OK Key.

## Settings

### Display

#### Menu style

To select how the Menu appears on your phone:

1. Press the Left Soft Key **Menu** > **Settings** > **Display** > **Menu Style**.
2. Select “Bright Icon”, “Dark Icon” or “List”.
3. Press the OK Key to save the setting.

#### Wallpaper

1. Press the Left Soft Key **Menu** > **Settings** > **Display** > **Wallpaper**.
2. Select “Preset Images” or “My Pictures”.

3. Press the Navigation Key to scroll through the images.
4. Press the OK Key **View** to view the image full screen. Press the Right Soft Key **Select** to save the image as your wallpaper.

#### Theme color

1. Press the Left Soft Key **Menu** > **Settings** > **Display** > **Theme Color**.
2. Select “Green”, “Gold”, “Red”, “Pink”, “Orange”, “Bluish Green”, “Sky”, “Blue”, “Mauve” or “Purple”.
3. Press the OK Key to save the setting.

#### Clock format

1. Press the Left Soft Key **Menu** > **Settings** > **Display** > **Clock Format**.
  - “Digital Clock”, “Analog Clock”, “Dual Clock”, “Calendar Clock” or “Small Clock”
2. Press the OK Key to save the setting.

#### Incoming calls

1. Press the Left Soft Key **Menu** > **Settings** > **Display** > **Incoming Calls**.
2. Select “Preset Images” or “My Pictures”.
3. Press the Navigation Key to scroll through the images.
4. Press the OK Key **View** to view the image full screen. Press the Right Soft Key **Select** to save the image as your images.

#### Banner

1. Press the Left Soft Key **Menu** > **Settings** > **Display** > **Banner**.
  2. Select “On” or “Off”.
- note** To edit banner, turn Banner on, scroll down to text bar, enter desired text.
3. Press the OK Key to save the setting.

#### Backlight

1. Press the Left Soft Key **Menu** > **Settings** > **Display** > **Backlight**.
  - Display: 7 Sec, 15 Sec, 30 Sec, Always On, Always Off
  - Keypad: 7 Sec, 15 Sec, 30 Sec, Always On, Always Off
  - Charger: On, Off
2. Press the OK Key to save the setting.

#### Brightness

1. Press the Left Soft Key **Menu** > **Settings** > **Display** > **Brightness**.
2. Select a setting by pressing the Navigation Key left or right.
3. Press the OK Key to save the setting.

#### Sounds

##### Ringtone

1. Press the Left Soft Key **Menu** > **Settings** > **Sounds** > **Ringtone**.
2. Select “Incoming Calls”, “Messages” or “Voice Mail”.

3. Press the OK Key to save the setting.

## Volume

1. Press the Left Soft Key **Menu** > **Settings** > **Sounds** > **Volume**.

- Voice : To adjust headset, earpiece or speaker phone volume.
- Ringer: To adjust ringer volume.
- Alert: To adjust messages or alarms & schedule volume.
- Key Tone: To adjust key tone volume.

2. Select a setting by pressing the Navigation Key left or right.

**note** Press the Left Soft Key **Vib.** to always vibrate.

3. Press the OK Key to save the setting.

## Alerts

1. Press the Left Soft Key **Menu** > **Settings** > **Sounds** > **Alerts**.

- Minute Beep: Sounds an alert

every minute during a call.

- Roaming: Sounds an alert when leaving a service area and entering a roaming service area.
- Call Connect: Notifies you that a call has been successfully placed.
- Power On/Off: To set phone to sound a tone when the phone is powered on/off.
- Service Area: To set phone to sound a tone when the phone is Service area.

2. Select “On” or “Off”.

3. Press the OK Key to save the setting.

## Tone length

1. Press the Left Soft Key **Menu** > **Settings** > **Sounds** > **Tone Length**.

2. Select “Short” or “Long”.

3. Press the OK Key to save the setting.

## Call

1. Press the Left Soft Key **Menu** > **Settings** > **Call**

### Contacts match

This function will match your abbreviated dialed number with an entry from your phone’s contact list. After dialing 7 digits, the phone will display contacts with the same sequence of numbers. Use the up/down Navigation Key to scroll to the desired contact.

1. Select “On” or “Off”.

2. Press the OK Key to save the setting.

### Call answer

To select an answer mode:

1. Select “Send Key” or “Any Key”.

2. Press the OK Key to save the setting.

## Auto retry

Automatically redials a call up to 5 times after a set time interval.

1. Select “On” or “Off”.

2. Press the OK Key to save the setting.

## TTY mode

Your phone is able to operate with a TTY (Teletypewriter) device in digital modes. This feature is system dependent and may not be available in all areas.

1. Select “TTY Full”, “TTY + Talk”, “TTY + Hear” or “TTY Off”.

2. Press the OK Key to save the setting.

**note** Press the Left Soft Key **Info**.

## Missed Call Alert

To select an answer mode:

1. Select “On” or “Off”.

2. Press the OK Key to save the setting.

## Speed Dial

To select an speed dial mode:

1. Select “On” or “Off”.
2. Press the OK Key to save the setting.

## Security

Prevents unauthorized use of your phone. The following can be restricted:

### Phone lock

Prevents the phone from being used without entering the password first.

1. Press the Left Soft Key **Menu** > **Settings** > **Security** > Enter your password. > **Phone Lock**.

**note** The default Lock code is the last 4 digits of your phone number.

2. Select “Lock Now”, “Unlock” or “On Power Up”.
3. Press the OK Key to save the setting.

### Change lock code

Changes your 4-digit password.

1. Press the Left Soft Key **Menu** > **Settings** > **Security** > Enter your password. > **Change Lock Code**.

**note** The default Lock code is the last 4 digits of your phone number.

2. Enter your lock code.
3. “Create your new lock code” screen appears. Enter your new lock code.
4. “Re-enter your new lock code” screen appears. Enter your new lock code again.

### Special number

This feature allows you to set 3 phone numbers that can be called even when the phone is locked.

1. Press the Left Soft Key **Menu** > **Settings** > **Security** > Enter your password. > **Special Number**.

**note** The default Lock code is the last 4 digits of your phone number.

2. Select a location (1. 911, 2. \*911, 3. #911) and press the Left Soft Key **Edit**. Enter the phone number and press the OK Key to save it to that location.

3. Press the Right Soft Key **Erase** to erase the Special Number. Select “Yes” and press the OK Key.

### Restriction

You can restrict incoming or outgoing calls. When calls are restricted, calls still may be possible to the official emergency number programmed into your device.

1. Press the Left Soft Key **Menu** > **Settings** > **Security** > Enter your password. > **Restriction**.

**note** The default Lock code is the last 4 digits of your phone number.

2. Select “Allow All”, “Outgoing Only” or, “Incoming Only” then press the OK Key to save the setting.

### Default settings

All changed preference settings will be reset to factory defaults.

1. Press the Left Soft Key **Menu** > **Settings** > **Security** > Enter your password. > **Default Settings**.

**note** The default Lock code is the last 4 digits of your phone number.

2. “Default settings?” will be displayed. Select “Yes” and press the OK Key.

### Reset phone

All saved contents and preference setting will be reset to factory defaults.

1. Press the Left Soft Key **Menu** > **Settings** > **Security** > Enter your password. > **Reset Phone**.

**note** The default Lock code is the last 4 digits of your phone number.

2. “Reset phone?” will be displayed. Select “Yes” and press the OK Key.

### Phone

1. Press the Left Soft Key **Menu** > **Settings** > **Phone**.

## Language

To change the language function:

1. Select “English” or “Spanish”.
2. Press the OK Key to save the setting.

## Airplane mode

Airplane Mode deactivates the wireless connectivity of your phone but allows you to continue using non-network functions like the Calendar and games.

1. Select “On”, “Off”.
2. Press the OK Key to save the setting.

### **note**

- You cannot make or receive calls or text messages when Airplane Mode is On.
- Press the Left Soft Key **Info**.

## Location

To set the location function:

1. Select “Location On” or “E911 Only”.
2. Press the OK Key to save the

setting.

## System select

To set the System location:

1. Select “Home Only” or “Automatic”.
2. Press the OK Key to save the setting.

## Font select

To set the System font:

1. Select “Font 1”, “Font 2” or “Font 3”.
2. Press the OK Key to save the setting.

## Key guard

To set the key guard:

1. Select “5 Sec”, “10 Sec”, “15 Sec”, “30 Sec” or “Off”.
2. Press the OK Key to save the setting.

## Mass storage

Before using mass storage capabilities, you need to prepare your device’s data service to synchronize with your desktop or laptop computer. Once the

phone is connected to the PC, you can transfer your data in the microSD card quickly and easily.

1. Press the Left Soft Key **Menu** > **Settings** > **Mass Storage**.
2. Select “On” or “Off”.

## Memory info

Displays information about the phones memory.

1. Press the Left Soft Key **Menu** > **Settings** > **Memory Info**.
2. Total, Used, Free, Multimedia, My Pictures, My Videos, My Sounds, My Ringtones, MMS, Applications displayed.
3. To return to the previous page, press the Back Key or OK Key.

## Phone info

Displays the information of your phone:

### My phone number

Displays your MDN and MIN.

1. Press the Left Soft Key **Menu** > **Settings** > **Phone Info** > **My Phone Number**.

2. The “MDN” and “MIN” will be displayed along with your service provider’s name.
3. To return to the previous page, press the Back Key or OK Key.

## Version

Displays the S/W Version, H/W Version, PRL Version, Browser Name, Browser Version, Brew Version, PRI, ERI.

1. Press the Left Soft Key **Menu** > **Settings** > **Phone Info** > **Version**.
2. The S/W Version, H/W Version, PRL Version, Browser Name, Browser Version, Brew Version, PRI and ERI information are displayed.
3. To return to the previous page, press the Back Key or OK Key.

## MEID/pESN

Displays your MEID(Dec), MEID(Hex), pESN(Dec), pESN(Hex).

1. Press the Left Soft Key **Menu** > **Settings** > **Phone Info** > **MEID/pESN**.
2. To return to the previous page, press the Back Key or OK Key.

### Icon glossary

Displays the icons.

1. Press the Left Soft Key **Menu** > **Settings** > **Phone Info** > **Icon Glossary**.
2. Your phone's indicator icons are displayed.
3. Press the OK Key, your phone's indicator icons information are displayed.

### Help

Using a phone to help.

1. Press the Left Soft Key **Menu** > **Settings** > **Phone Info** > **Help**.
2. The help guide will be displayed on your phone. (Messages, Multimedia, Music, Bluetooth)

## Care and maintenance

Your device is a product of superior design and craftsmanship and should be treated with care. The following suggestions will help you protect your warranty coverage.

- Keep the device dry. Precipitation, humidity, and all types of liquids or moisture can contain minerals that will corrode electronic circuits. If your device does get wet, remove the battery, and allow the device to dry completely before replacing it.
- Do not use or store the device in dusty, dirty areas. Its moving parts and electronic components can be damaged.
- Do not store the device in hot areas. High temperatures can shorten the life of electronic devices, damage batteries, and warp or melt certain plastics.
- Do not store the device in cold areas. When the device returns to

its normal temperature, moisture can form inside the device and damage electronic circuit boards.

- Do not attempt to open the device other than as instructed in this guide.
- Do not drop, knock, or shake the device. Rough handling can break internal circuit boards and fine mechanics.
- Do not use harsh chemicals, cleaning solvents, or strong detergents to clean the device.
- Do not paint the device. Paint can clog the moving parts and prevent proper operation.
- Use only the supplied or an approved replacement antenna. Unauthorized antennas, modifications, or attachments could damage the device and may violate regulations governing radio devices.
- Use chargers indoors.
- Always create a backup of data you want to keep, such as contacts and calendar notes.
- To reset the device from time to

time for optimum performance, power off the device and remove the battery.

These suggestions apply equally to your device, battery, charger, or any accessory. If the device is not working properly, take it to the nearest authorized service facility for service.

## Warranty

### One (1) year limited warranty (U.S.)

For products purchased from Cricket or its authorized dealers Cricket warrants that this device ("Product") is free from defects in material and workmanship that result in Product failure during normal usage, according to the following terms and conditions (the "Limited Warranty"):

1. This Limited Warranty for the Product extends for one (1) year beginning on the date of the purchase of the Product.
2. The Limited Warranty extends only



to the original purchaser (“Consumer”) of the Product and is not assignable or transferable to any subsequent purchaser/ end-user.

3. The Limited Warranty extends only to Consumers who purchase the Product from Cricket or its authorized dealers.
4. During the Limited Warranty period, Cricket will repair or replace, at Cricket’s sole option, any defective parts, or any parts that will not properly operate for their intended use with new or refurbished replacement items if such repair or replacement is needed because of product malfunction or failure during normal usage. the Limited Warranty does not cover defects in appearance, cosmetic, decorative or structural items, including framing, and any non-operative parts. Cricket’s limit of liability under the Limited Warranty shall be the actual cash value of the

Product at the time the Consumer returns the Product for repair, determined by the price paid by the Consumer for the Product less a reasonable amount for usage. Cricket shall not be liable for any other losses or damages. these remedies are the Consumer’s exclusive remedies for breach of the Limited Warranty.

5. Upon request from Cricket, the Consumer must prove the date of the original purchase of the Product by a dated bill of sale or dated itemized receipt.
6. The Consumer shall bear the cost of shipping the Product to Cricket. Cricket shall bear the cost of shipping the Product back to the Consumer after the completion of service under this Limited Warranty.
7. The Consumer shall have no coverage or benefits under this Limited Warranty if any of the following conditions are applicable:
  - a. The Product has been subjected

to abnormal use, abnormal conditions, improper storage, exposure to moisture or dampness, unauthorized modifications, unauthorized connections, unauthorized repair, misuse, neglect, abuse, accident, alteration, improper installation, or other acts which are not the fault of Cricket, including damage caused by shipping.

- b. The Product has been damaged from external causes such as collision with an object, or from fire, flooding, sand, dirt, windstorm, lightning, earthquake or damage from exposure to weather conditions, an act of God, or battery leakage, theft, blown fuse, or improper use of any electrical source, damage caused by computer or internet viruses, bugs, worms, trojan Horses, cancelbots or damage caused by the connection to other products (including but not limited to hardware and software)

not recommended for interconnection by Cricket.

- c. The Product serial number plate or the enhancement data code has been removed, defaced or altered.
  - d. The defect or damage was caused by the defective function of the cellular system or by inadequate signal reception by the external antenna, or viruses or other software problems introduced into the Product.
8. Cricket does not warrant uninterrupted or error-free operation of the Product. If a problem develops during the Limited Warranty period, the Consumer shall take the following step-by-step procedure:
    - a. The Consumer shall return the Product to the place of purchase for repair or replacement processing.
    - b. The Consumer shall include a return address, daytime phone number and/ or fax number,

complete description of the problem, proof of purchase and service agreement (if applicable). Expenses related to removing the Product from an installation are not covered under this Limited Warranty.

- c. The Consumer will be billed for any parts or labor charges not covered by this Limited Warranty. the Consumer will be responsible for any expenses related to reinstallation of the Product.
- d. Cricket will repair the Product under the Limited Warranty within 30 days after receipt of the Product. If Cricket cannot perform repairs covered under this Limited Warranty within 30 days, or after a reasonable number of attempts to repair the same defect, Cricket at its option, will provide a replacement Product or refund the purchase price of the Product less a reasonable amount for usage.
- e. If the Product is returned during

the Limited Warranty period, but the problem with the Product is not covered under the terms and conditions of this Limited Warranty, the Consumer will be notified and given an estimate of the charges the Consumer must pay to have the Product repaired, with all shipping charges billed to the Consumer. If the estimate is refused, the Product will be returned freight collect. If the Product is returned after the expiration of the Limited Warranty period, Cricket's normal service policies shall apply and the Consumer will be responsible for all shipping charges.

- 9. You (the Consumer) understand that the Product may consist of refurbished equipment that contains used components, some of which have been reprocessed. the used components comply with Product performance and reliability specifications.
- 10. Disclaimer of Warranty. EXCEPT

AS SET FORTH IN THIS EXPRESS LIMITED WARRANTY, CONSUMER TAKES THE PRODUCT "AS IS", AND CRICKET MAKES NO WARRANTY OR REPRESENTATION AND THERE AER NO CONDITIONS, EXPRESS OR IMPLIED, STATUTORY OR OTHERWISE, OF ANY KIND WHATSOEVER WITH RESPECT TO THE PRODUCT, INCLUDING BUT NOT LIMITED TO ANY IMPLIED WARRANTY OF MERCHANTABILITY, OR FITNESS FOR A PARTICULAR PURPOSE OR USE; WARRANTIES OF TITLE OR NON-INFRINGEMENT; DESIGN, CONDITION, QUALITY, OR PERFROMANCE OF THE PRODUCT; THE WORKMANSHIP OF THE PRODUCT OR THE COMPONENTS CONTAINED THEREIN; OR COMPLIANT OF THE PRODUCT WITH THE REQUIREMENTS OF ANY LAW, RULE, SPECIFICATION OR CONTRACT PERTAINING

THERETO.

- 11. CRICKET SHALL NOT BE LIABLE FOR SPECIAL, INCIDENTAL, PUNITIVE OR CONSEQUENTIAL DAMAGES, INCLUDING BUT NOT LIMITED TO LOSS OF ANTICIPATED BENEFITS OR PROFITS, LOSS OF SAVINGS OR REVENUE, LOSS OF DATA, PUNITIVE DAMAGES, LOSS OF USE OF THE PRODUCT OR ANY ASSOCIATED EQUIPMENT, COST OF CAPITAL, COST OF ANY SUBSTITUTE EQUIPMENT OR FACILITIES, DOWNTIME, THE CLAIMS OF ANY THIRD PARTIES, INCLUDING CUSTOMERS, AND INJURY TO PROPERTY, RESULTING FROM THE PURCHASE OR USE OF THE PRODUCT OR ARISING FROM BREACH OF THE WARRANTY, BREACH OF CONTRACT, NEGLIGENCE, STRICT TORT, OR ANY OTHER LEGAL OR EQUITABLE THEORY, EVEN IF CRICKET KNEW OF THE

LIKELIHOOD OF SUCH DAMAGES. CRICKET SHALL NOT BE LIABLE FOR DELAY IN RENDERING SERVICE UNDER THE LIMITED WARRANTY, OR LOSS OF USE DURING THE PERIOD THAT THE PRODUCT IS BEING REPAIRED. NOTHING CONTAINED IN THE INSTRUCTION MANUAL SHALL BE CONSTRUED TO CREATE AN EXPRESS WARRANTY OF ANY KIND WHATSOEVER WITH RESPECT TO THE PRODUCT. ALL IMPLIED WARRANTIES AND CONDITIONS THAT MAY ARISE BY OPERATION OF LAW, INCLUDING IF APPLICABLE THE IMPLIED WARRANTIES OF MERCHANTABILITY AND FITNESS FOR A PARTICULAR PURPOSE, ARE HEREBY LIMITED TO THE SAME DURATION OF TIME AS THE EXPRESS WRITTEN WARRANTY STATED HEREIN.

12. Some states do not allow limitation of how long an implied warranty lasts, so the one (1) year

warranty limitation may not apply to you (the Consumer). Some states do not allow the exclusion or limitation of incidental and consequential damages, so certain of the above limitations or exclusions may not apply to you (the Consumer). this Limited Warranty gives the Consumer specific legal rights and the Consumer may also have other rights which vary from state to state.

13. Cricket neither assumes nor authorizes any authorized service center or any other person or entity to assume for it any other obligation or liability beyond that which is expressly provided for in this Limited Warranty including the provider or seller of any extended warranty or service agreement.
14. This is the entire warranty between Cricket and the Consumer, and supersedes all prior and contemporaneous agreements or understandings,

oral or written, relating to the Product, and no representation, promise or condition not contained herein shall modify these terms. the agents, employees, distributors, and dealers of Cricket are not authorized to make modifications to this Limited Warranty, or make additional warranties binding on Cricket. accordingly, additional statements such as dealer advertising or presentation, whether oral or written, do not constitute warranties by Cricket and should not be relied upon.

15. This Limited Warranty allocates the risk of failure of the Product between the Consumer and Cricket. The allocation is recognized by the Consumer and is reflected in the purchase price.
16. IF ANY PORTION OF THIS LIMITED WARRANTY IS HELD ILLEGAL OR UNENFORCEABLE BY REASON OF ANY LAW, SUCH PARTIAL ILLEGALITY OR

UNENFORCEABILITY SHALL NOT AFFECT THE ENFORCEABILITY FOR THE REMAINDER OF THIS LIMITED WARRANTY WHICH PURCHASER ACKNOWLEDGES IS AND WILL ALWAYS BE CONSTRUED TO BE LIMITED BY ITS TERMS OR AS LIMITED AS THE LAW PERMITS.

## Additional safety information

### Small children

Your device and its enhancements may contain small parts. Keep them out of the reach of small children.

### Operating environment

This device meets RF exposure guidelines when used either in the normal use position against the ear or when positioned at least 2 centimeters (4/5 inches) away from the body. When a carry case, belt clip, or holder is used for body-worn

operation, it should not contain metal and should position the device the above-stated distance from your body.

To transmit data files or messages, this device requires a quality connection to the network. In some cases, transmission of data files or messages may be delayed until such a connection is available. Ensure the above separation distance instructions are followed until the transmission is completed.

Parts of the device are magnetic. Metallic materials may be attracted to the device. Do not place credit cards or other magnetic storage media near the device, because information stored on them may be erased.

### **Medical devices**

Operation of any radio transmitting equipment, including wireless devices, may interfere with the functionality of inadequately protected medical devices. Consult a physician or the manufacturer of

the medical device to determine if they are adequately shielded from external RF energy or if you have any questions. Switch off your device in health care facilities when any regulations posted in these areas instruct you to do so. Hospitals or health care facilities may be using equipment that could be sensitive to external RF energy.

### **Implanted medical devices**

Manufacturers of medical devices recommend that a minimum separation of 15.3 centimeters (6 inches) should be maintained between a wireless device and an implanted medical device, such as a pacemaker or implanted cardioverter defibrillator, to avoid potential interference with the medical device. Persons who have such devices should:

- Always keep the wireless device more than 15.3 centimeters (6 inches) from the medical device

when the wireless device is turned on.

- Not carry the wireless device in a breast pocket.
- Hold the wireless device to the ear opposite the medical device to minimize the potential for interference.
- Turn the wireless device off immediately if there is any reason to suspect that interference is taking place.
- Read and follow the directions from the manufacturer of their implanted medical device.

If have any questions about using your wireless device with an implanted medical device, consult your health care provider.

### **Hearing aids**

Some digital wireless devices may interfere with some hearing aids. If interference occurs, consult your service provider.

### **Hearing aid compatibility**

Your mobile device model complies with FCC rules governing hearing aid compatibility. These rules require an M3 microphone or higher value. The M-value, shown on the device box, refers to lower radio frequency (RF) emissions. A higher M-value generally indicates that a device model has a lower RF emissions level, which may improve the likelihood that the device will operate with certain hearing aids. Some hearing aids are more immune than others to interference. Please consult your hearing health professional to determine the M-rating of your hearing aid and whether your hearing aid will work with this device.

This device includes a setting for direct connection to telecoil equipped hearing aids. When both the telecoil hearing aid (T switch) and the phone telecoil are activated, using the device with the aided ear will provide a direct connection for

audio through your hearing aid. The quality of sound depends on the type of hearing aid used. You should test the device with the telecoil setting activated to determine whether your audio performance improves. Using the telecoil hearing-aid setting consumes additional battery power.

More information on accessibility can be found at.

## **Vehicles**

RF signals may affect improperly installed or inadequately shielded electronic systems in motor vehicles such as electronic fuel injection systems, electronic antiskid (antilock) braking systems, electronic speed control systems, and air bag systems. For more information, check with the manufacturer, or its representative, of your vehicle or any equipment that has been added.

Only qualified personnel should service the device or install the device in a vehicle. Faulty installation or service may be dangerous and

may invalidate any warranty that may apply to the device. Check regularly that all wireless device equipment in your vehicle is mounted and operating properly. Do not store or carry flammable liquids, gases, or explosive materials in the same compartment as the device, its parts, or enhancements. For vehicles equipped with an air bag, remember that air bags inflate with great force. Do not place objects, including installed or portable wireless equipment in the area over the air bag or in the air bag deployment area.

If in-vehicle wireless equipment is improperly installed and the air bag inflates, serious injury could result.

Using your device while flying in aircraft is prohibited. Switch off your device before boarding an aircraft. The use of wireless teledevices in an aircraft may be dangerous to the operation of the aircraft, disrupt the wireless telephone network, and may

be illegal.

## **Potentially explosive environments**

Switch off your device when in any area with a potentially explosive atmosphere, and obey all signs and instructions. Potentially explosive atmospheres include areas where you would normally be advised to turn off your vehicle engine. Sparks in such areas could cause an explosion or fire resulting in bodily injury or even death. Switch off the device at refueling points such as near gas pumps at service stations. Observe restrictions on the use of radio equipment in fuel depots, storage, and distribution areas; chemical plants; or where blasting operations are in progress. Areas with a potentially explosive atmosphere are often, but not always, clearly marked. They include below deck on boats, chemical transfer or storage facilities and areas where the air contains chemicals or particles such as grain, dust, or

metal powders. You should check with the manufacturers of vehicles using liquefied petroleum gas (such as propane or butane) to determine if this device can be safely used in their vicinity.

## **Emergency calls**

Important: This device operates using radio signals, wireless networks, landline networks, and user-programmed functions.

Connections in all conditions cannot be guaranteed. You should never rely solely on any wireless device for essential communications like medical emergencies.

## **To make an emergency call:**

1. If the device is not on, switch it on. Check for adequate signal strength. Depending on your device, you may also need to complete the following:
  - Remove certain call restrictions you have activated in your device.

2. Press the END Key as many times as needed to clear the display and ready the device for calls.
3. Enter the official emergency number for your present location. Emergency numbers vary by location.
4. Press the SEND Key.

When making an emergency call, give all the necessary information as accurately as possible. Your wireless device may be the only means of communication at the scene of an accident. Do not end the call until given permission to do so.

### **Certification information (SAR)**

This mobile device meets guidelines for exposure to radio waves.

Your mobile device is a radio transmitter and receiver. It is designed not to exceed the limits for exposure to radio waves recommended by international guidelines. These guidelines were developed by the independent

scientific organization ICNIRP and include safety margins designed to assure the protection of all persons, regardless of age and health.

The exposure guidelines for mobile devices employ a unit of measurement known as the Specific Absorption Rate or SAR. The SAR limit stated in the ICNIRP guidelines is 1.6 watts/kilogram (W/kg) averaged over 1 grams of tissue. Tests for SAR are conducted using standard operating positions with the device transmitting at its highest certified power level in all tested frequency bands. The actual SAR level of an operating device can be below the maximum value because the device is designed to use only the power required to reach the network. That amount changes depending on a number of factors such as how close you are to a network base station.

Use of device accessories and enhancements may result in different SAR values. SAR values may vary

depending on national reporting and testing requirements and the network band.

Your mobile device is also designed to meet the requirements for exposure to radio waves established by the Federal Communications Commission (USA) and Industry Canada. These requirements set a SAR limit of 1.6 W/kg averaged over one gram of tissue. The highest SAR value reported under this standard during product certification for use at the ear is 1.13W/Kg and when properly worn on the body is 0.443W/Kg.

### **SAFETY INFORMATION FOR FIXED WIRELESS TERMINALS POTENTIALLY EXPLOSIVE ATMOSPHERES**

Turn your phone OFF when in any area with a potentially explosive atmosphere and obey all signs and instructions. Sparks in such areas could cause an explosion or fire resulting in bodily injury or even death.

### **INTERFERENCE TO MEDICAL DEVICES**

Certain electronic equipment may be shielded against RF signal from you wireless phone. (pacemakers, Hearing Aids, and so on) Turn your phone OFF in health care facilities when any regulations posted in these areas instruct you to do so. RF signals may affect improperly installed or inadequately shielded electronic system in motor vehicles.

### **EXPOSURE TO RF ENERGY**

Use only the supplied or an approved replacement antenna. Do not touch the antenna unnecessarily when the phone is in use. Do not move the antenna close to, or touching any exposed part of the body when making a call.

### **BODY-WORN OPERATION**

This device was tested for typical body-worn operations with the back of the phone kept 2.0 cm from the body. To maintain compliance with FCC RF exposure requirements, use

only belt-clips, holsters or similar accessories that maintain 2.0 cm separation distance between the user's body and the back of the phone, including the antenna. The use of belt-clips, holsters and similar accessories should not contain metallic components in its assembly. The use of accessories that do not satisfy these requirements may not comply with FCC RF exposure requirements, and should be avoided. For more information about RF exposure, please visit the FCC website at [www.fcc.gov](http://www.fcc.gov).

### **FCC compliance information**

This device complies with Part 15 of FCC Rules. Operation is subject to the following two conditions:

- (1) This device may not cause harmful interference, and
- (2) This device must accept any interference received.

Including interference that may cause undesired operation.

### **U.S.A. U.S.FEDERAL COMMUNICATIONS COMMISSION RADIO FREQUENCY INTERFERENCE STATEMENT INFORMATION TO THE USER**

**note** This equipment has been tested and found to comply with the limits for a Class B digital device pursuant to Part 15 of the FCC Rules. These limits are designed to provide reasonable protection against harmful Interference in a residential installation. This equipment generates, uses, and can radiate radio frequency energy and, if Not installed and used in accordance with the instructions, may cause harmful Interference to radio communications. However, there is no guarantee that interference will not occur in a particular Installation. If this equipment does cause harmful interference to radio or television reception, which can be determined by turning the equipment off and on, the user is encouraged to try to correct the interference by one or

more of the following measures:

- \*- Reorient or relocate the receiving antenna. Increase the separation between the equipment and receiver.
- \*- Connect the equipment into an outlet of a circuit different from that to which the receiver is connected.
- \*- Consult the dealer or an experienced radio/TV technician for assistance.

Changes or modification not expressly approved by the party responsible for Compliance could void the user's authority to operate the equipment. Connecting of peripherals requires the use of grounded shielded signal cables.

### **FCC hearing-aid compatibility (HAC) regulations for wireless devices**

On July 10, 2003, the U.S. Federal Communications Commission (FCC) Report and Order in WT Docket 01-309 modified the exception of

wireless phones under the Hearing Aid Compatibility Act of 1988 (HAC Act) to require digital wireless phones be compatible with hearing-aids. The intent of the HAC Act is to ensure reasonable access to telecommunications services for persons with hearing disabilities. While some wireless phones are used near some hearing devices (hearing aids and cochlear implants), users may detect a buzzing, humming, or whining noise. Some hearing devices are more immune than others to this interference noise, and phones also vary in the amount of interference they generate. The wireless telephone industry has developed a rating system for wireless phones, to assist hearing device users find phones that may be compatible with their hearing devices. Not all phones have been rated. Phones that are rated have the rating on their box or a label located on the box. The ratings are not guarantees. Results will vary

depending on the user's hearing device and hearing loss. If your hearing device happens to be vulnerable to interference, you may not be able to use a rated phone successfully. Trying out the phone with your hearing device is the best way to evaluate it for your personal needs.

**M-Ratings:** Phones rated M3 or M4 meet FCC requirements and are likely to generate less



interference to hearing devices than phones that are not labeled. M4 is the better/higher of the two ratings. Hearing devices may also be rated. Your hearing device manufacturer or hearing health professional may help you find this rating. Higher ratings mean that the hearing device is relatively immune to interference noise. The hearing aid and wireless phone rating values are then added together. A sum of 5 is considered acceptable for normal use. A sum

of 6 is considered for best use. In the above example, if a hearing aid meets the M2 level rating and the wireless phone meets the M3 level rating, the sum of the two values equal M5. This should provide the hearing aid user with “normal usage” while using their hearing aid with the particular wireless phone. “Normal usage” in this context is defined as a signal quality that is acceptable for normal operation. The M mark is intended to be synonymous with the U mark. The T mark is intended to be synonymous with the UT mark. The M and T marks are recommended by the Alliance for Telecommunications Industries Solutions (ATIS). The U and UT marks are referenced in Section 20.19 of the FCC Rules. The HAC rating and measurement procedure are described in the American National Standards Institute (ANSI) C63.19 standard.



