

IDU

Let's go

Getting started with your device.

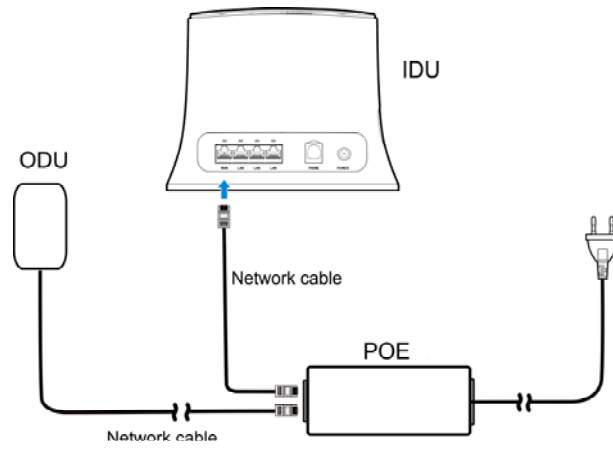
1. Prepare

- A set of installed ODU
- A network cable
- View the label on your device to get the default information. The following figure is for your reference only.



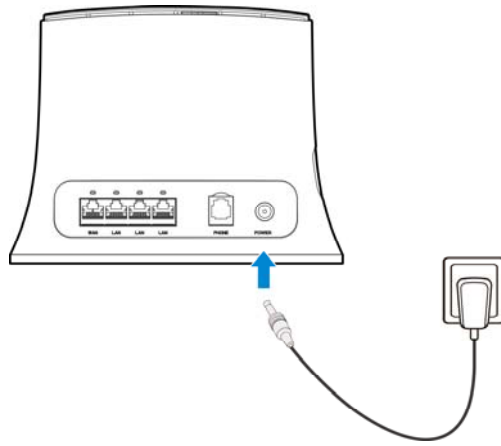
2. Connect the POE Adapter

Use a network cable to connect the LAN-IN port on the POE adapter to the WAN port on your device.



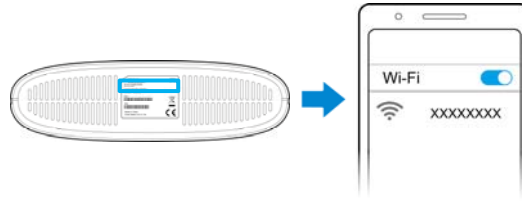
3. Start Your Device

Connect the power adapter to power on your device. If the ODU has already connected to the Internet, your device will connect to the Internet automatically.

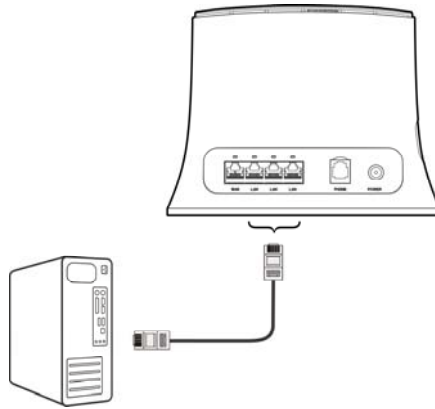


4. Access the Internet

- **Wi-Fi:** The default Wi-Fi name (SSID) and password can be found on the device label. Connect to the Wi-Fi network with your mobile device and then access the Internet.



- **Network cable (RJ45):** Connect with the computer via a LAN port and access the Internet.



5. Change Your Device Settings

You can change the device settings by logging in to the IDU configuration web page.

1. View the label on your device to get the default *Device Manager Website IP address* and *Password*.



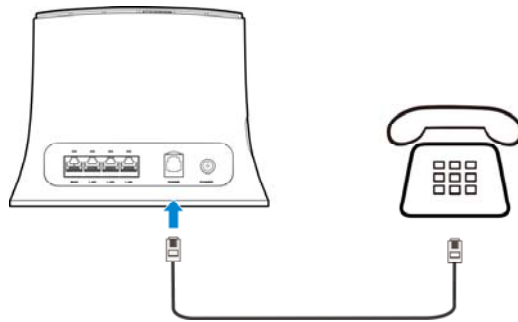
2. Launch the Internet browser. Enter the *Device Manager Website IP address* in the address bar.
3. Input the password and then click **Login**.
4. After the IDU configuration web page is opened, you can change the Wi-Fi SSID, password or other settings.

Telephone

Your device supports the telephone function. Before using the telephone function, ensure that the ODU is working normally.

To make a call:

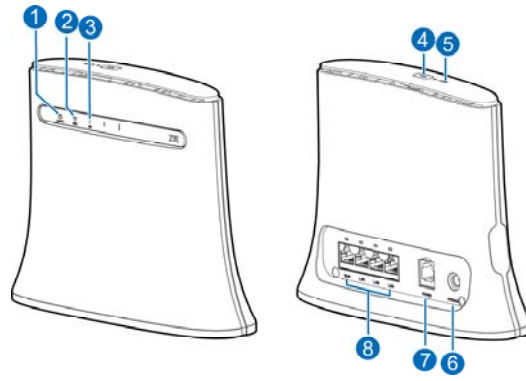
1. Pick up the handset.
2. Dial the telephone number.
3. Wait for the call to be connected.






WPS

Your device supports the WPS function. You can use this function to connect a client to your device.

1. Press the **WPS** button on your device to activate the WPS function.
2. Enable the WPS function on your client.
3. Follow the system prompts on your client to establish the connection.



1.	POWER		<p>On: Power is on and external power supply is working normally.</p> <p>Off: Power is off or external power supply is working abnormally.</p>
2.	WIFI		<p>On: Wi-Fi works normally.</p> <p>Blinking: WPS is activating.</p> <p>Off: Wi-Fi is off.</p>
3.	SIG		<p>Blue on: Signal level panel. The ODU signal strength is from weak to strong.</p> <p>Off: The ODU isn't connected.</p>
4.	WPS		<p>Press to activate the WPS function.</p>
5.	RESET		<p>Press and hold for about 3 seconds to restore factory default configurations.</p>
6.	POWER port		<p>Connect to the power adapter.</p>
7.	PHONE port		<p>Connect to telephone.</p>
8.	WAN/LAN ports		<p>Connect to computer or other network devices.</p> <p>WAN port: Connect to the POE.</p>

Voice Related Problems

Symptoms	Possible Problems/ Solutions
There is no dial tone.	<ul style="list-style-type: none">● Please wait for 1~2 minutes after the device is turned on.● If signal strength is weak, you have no good RF reception. Change the location of the device.
The line is noisy/distorted when I lift the phone off the hook.	<ul style="list-style-type: none">● Remove any electrical appliance which is too close to the phone or your device.● The cable or phone set might be faulty.
I hear a rapid engaged tone as soon as I lift the phone off the hook.	<ul style="list-style-type: none">● Put the phone on the hook and try again.● Please contact your service provider.
After dialing the last digit I hear nothing/silence.	When you have finished dialing you can press the # key or wait 4 ~ 8 seconds to connect the call.

Internet Related Problems

Symptoms	Possible Problems / Solutions
I cannot access the Internet at all.	<ul style="list-style-type: none">● Please check your configuration settings.● Please wait 1~ 2 minutes for the device to initialize.● Check your network indicators.
The download or upload speed is very slow.	The speed is dependent on signal strength. Check your signal strength and network type.
I cannot visit the IDU configuration web page.	<ul style="list-style-type: none">● Enter the correct IP address. You can view the label on your device to get the default IP address.● Only use one network adapter in your PC.● Do not use any proxy server.
I cannot establish the Wi-Fi connection between my device and the client.	<ul style="list-style-type: none">● Make sure the Wi-Fi function is active.● Refresh network list and select the correct SSID.● Check the IP address to make sure your client can obtain an IP address automatically in the Internet protocol (TCP/IP) properties.● Type the correct network key (Wi-Fi password) when you connect to the device.

Others

Symptoms	Possible Problems / Solutions
About the password	<ul style="list-style-type: none">● For the Wi-Fi connection password, please check the label on the device.● Please check the label on your device to get the default password of the IDU configuration web page.● If you changed the password and forgot the new password, you need to restore the device to the factory default settings.

Getting More Help

You can get help by:

- Sending an email to mobile@zte.com.cn
- Visiting www.ztedevices.com

Copyright © 2021 ZTE CORPORATION.

All rights reserved.

No part of this publication may be quoted, reproduced, translated or used in any form or by any means, electronic or mechanical, including photocopying and microfilm, without the prior written permission of ZTE Corporation.

Notice

ZTE Corporation reserves the right to make modifications on print errors or update specifications in this guide without prior notice.

Disclaimer

Images and screenshots used in this guide may differ from the actual product. Content in this guide may differ from the actual product or software.

Trademarks

ZTE and the ZTE logos are trademarks of ZTE Corporation.
Other trademarks and trade names are those of their respective owners.

Version No.: R1.0

Safety Precautions

- Some electronic devices may be susceptible to electromagnetic interference. Locate the device away from TV set, radio and other electronic equipment to avoid electromagnetic interference.
- The device may interfere with medical devices like hearing aids and pacemakers. Consult a physician or the manufacturer of the medical device before using it.
- Please keep yourself at least 20 centimeters away from your device.
- Do not use your device in dangerous environments such as oil terminals or chemical factories where there are explosive gases or explosive products being processed.
- Please use original accessories or accessories that are authorized by ZTE. Unauthorized accessories may affect the device performance, damage the device or cause danger to you.
- Do not attempt to dismantle the device. There are no user-serviceable parts.
- Do not allow the device or accessories to come into contact with liquid or moisture at any time. Do not immerse the device in any liquid.
- Do not place objects on top of the device. This may lead to overheating of the device.
- The device must be placed in a well-ventilated environment for use.
- Do not expose the device to direct sunlight or store it in hot areas. High temperature can shorten the life of electronic devices.
- Do not allow children to play with the device or power adapter.
- The device is for indoor use only. Do not use the device outside.
- For pluggable equipment, the socket-outlet shall be installed near the equipment and shall be easily accessible.

Cleaning and Maintaining

- Use an antistatic cloth to clean the device. Do not use chemical or abrasive cleanser as these could damage the plastic case. Turn off your device before you clean it.

- Use the device within the temperature range of -20°C ~ +55°C, and the storage temperature range is -40°C ~ +70°C. The humidity range is 5%~95%.
- Do not use your device during a thunderstorm. Remove the mains power pack from the wall socket.

Limited Warranty

This warranty does not apply to defects or errors in the product caused by:

- i. Reasonable abrasion.
- ii. End users' failure to follow ZTE's installation, operation or maintenance instructions or procedures.
- iii. End users' mishandling, misuse, negligence, or improper installation, disassembly, storage, servicing or operation of the product.
- iv. Modifications or repairs not provided by ZTE or a ZTE-certified individual.
- v. Power failures, surges, fire, flood, accidents, and actions of third parties or other events outside ZTE's reasonable control.
- vi. Usage of third-party products or usage in conjunction with third-party products if such defects are due to the combined usage.
- vii. Any other cause beyond the range of normal usage intended for the product.

End users have no right to reject or return the product, or receive a refund for the product from ZTE under the above-mentioned situations.

This warranty is end users' sole remedy and ZTE's sole liability for defective or nonconforming items, and is in lieu of all other warranties, expressed, implied or statutory, including but not limited to the implied warranties of merchantability and fitness for a particular purpose, unless otherwise required under the mandatory provisions of the law.

Limitation of Liability

ZTE shall not be liable for any loss of profits or indirect, special, incidental or consequential damages resulting from or arising out of or in connection with using of this product, no matter whether or not ZTE had been advised, knew or should have known of the possibility of such damages, including, but not limited to lost profits, interruption of business, cost of capital, cost of substitute facilities or product, or any downtime cost.

Radio Frequency (RF) Exposure

This device is designed and manufactured not to exceed the emission limits for exposure to radio frequency (RF) energy set by the Federal Communications Commission of the United States.

During SAR testing, this device is set to transmit at its highest certified power level in all tested frequency bands, and placed in positions that simulate RF exposure in usage against the head with no separation, and near the body with the separation of 10 mm. Although the SAR is determined at the highest certified power level, the actual SAR level of the while operating can be well below the maximum value. This is because the device is designed to operate at multiple power levels so as to use only the power required to reach the network. In general, the closer you are to a wireless base station antenna, the lower the power output.

The exposure standard for wireless employs a unit of measurement known as the Specific Absorption Rate, or SAR. The SAR limit set by the FCC is 1.6 W/kg.

Tests for SAR are conducted using standard operating positions accepted by the FCC with the device transmitting at its highest certified power level in all tested frequency bands.

The FCC has granted an Equipment Authorization for this model device with all reported SAR levels evaluated as in compliance with the FCC RF exposure guidelines. SAR information on this model device is on file with the FCC and can be found under the Display Grant section of www.fcc.gov/oet/ea/fccid after searching on [FCC ID: SRQ-MF263](#).

For this device, the highest reported SAR value for near the body is **0.51** W/kg.

While there may be differences between the SAR levels of various devices and at various positions, they all meet the government requirement.

SAR compliance for body operation is based on a separation distance of 10 mm between the unit and the human body. Carry this device, at least 10 mm away from your body to ensure RF exposure level compliant or lower to the reported level. To support body operation, choose the belt clips or holsters, which do not contain metallic components, to maintain a separation of 10 mm between this and your body.

FCC Compliance

This device complies with part 15 of the FCC Rules. Operation is subject to the following two conditions: (1) This device may not cause harmful interference, and (2) this device must accept any interference received,

including interference that may cause undesired operation.

CAUTION:

Changes or modifications not expressly approved by the manufacturer could void the user's authority to operate the equipment.

This equipment has been tested and found to comply with the limits for a Class B digital device, pursuant to part 15 of the FCC Rules. These limits are designed to provide reasonable protection against harmful interference in a residential installation. This equipment generates, uses, and can radiate radio frequency energy and, if not installed and used in accordance with the instructions, may cause harmful interference to radio communications. However, there is no guarantee that interference will not occur in a particular installation. If this equipment does cause harmful interference to radio or television reception, which can be determined by turning the equipment off and on, the user is encouraged to try to correct the interference by one or more of the following measures:

- Reorient or relocate the receiving antenna.
- Increase the separation between the equipment and receiver.
- Connect the equipment into an outlet on a circuit different from that to which the receiver is connected.
- Consult the dealer or an experienced radio/TV technician for help.

IC Notice

This device complies with Industry Canada license-exempt RSS standard(s). Operation is subject to the following two conditions:

(1) this device may not cause interference, and

(2) this device must accept any interference, including interference that may cause undesired operation of the device.

This Class B digital apparatus complies with Canadian ICES-003.

IC: 5200E-MF263

IC Radiation Exposure Statement

This EUT is compliance with SAR for general population/uncontrolled exposure limits in IC RSS-102 and had been tested in accordance with the measurement methods and procedures specified in IEEE 1528 and IEC 62209. This equipment should be installed and operated with minimum distance 1.5 cm between the radiator and your body. This device and its antenna(s) must not be co-located or operating in conjunction with any other antenna or transmitter.

ZTE CORPORATION
NO. 55, Hi-tech Road South, Shenzhen, P.R.China
Postcode: 518057