

MF831 **USB Modem** Quick Start Guide

ZTE CORPORATION
NO. 55, Hi-tech Road South, ShenZhen, P.R.China
Postcode: 518057
Tel: +86-755-26779999
URL: <http://www.zte.com.cn>
E-mail: mobile@zte.com.cn

LEGAL INFORMATION

Copyright © 2013 ZTE CORPORATION.

All rights reserved.

No part of this publication may be excerpted, reproduced, translated or utilized in any form or by any means, electronic or mechanical, including photocopying and microfilm, without the prior written permission of ZTE Corporation.

The manual is published by ZTE Corporation. We reserve the right to make modifications on print errors or update specifications without prior notice.

Version No. : R1.0

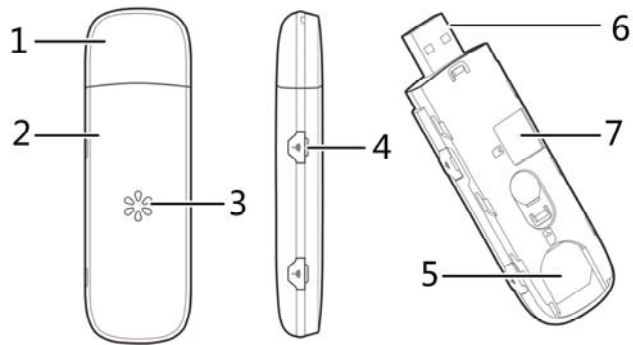
Edition Time: 2013.10

Getting to Know Your Device

Your device supports data and SMS services through the mobile phone network, enabling you to communicate anytime and anywhere.

The following figure is only for your reference. The actual product may be different.

- 1.Modem Cap
- 2.Front Cover
3. LED Indicator
- 4.External Antenna Connector
- 5.(U)SIM Card Slot
- 6.USB Connector
- 7.microSD Card Slot



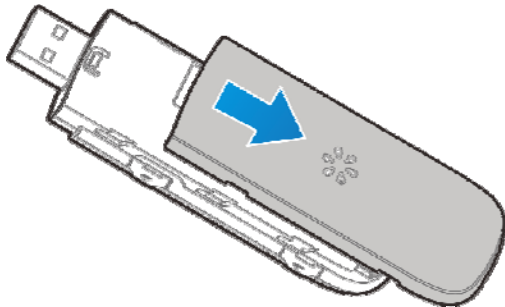
NOTE:

microSD logo  is a trademark of SD-3C, LLC.

Installation Guide

Installing the (U)SIM Card and microSD Card

1. Press and push the front cover and remove it.

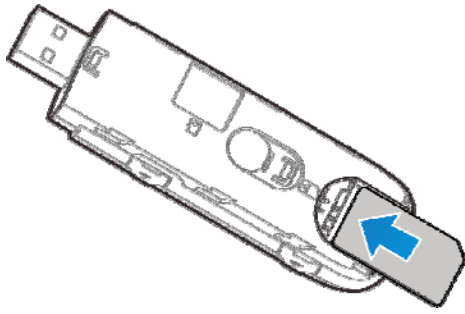


NOTE:

Do not open the front cover rudely so as to avoid the damage of the front cover.

2. Insert the (U)SIM card into the (U)SIM card slot.

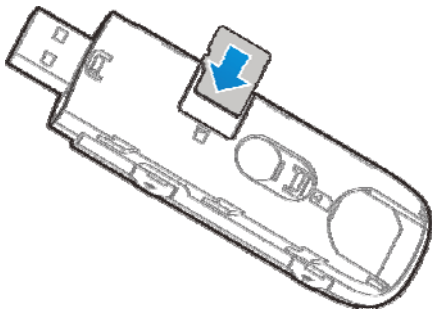
IMPORTANT: Your device does not support Micro/Nano or any other nonstandard SIM cards. To avoid device damage, please do not use them.



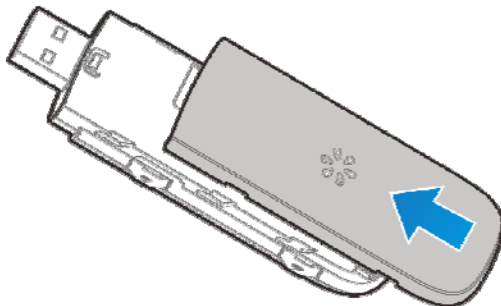
3. Insert the microSD card into the microSD card slot.

NOTE:

This modem only supports microSD card.

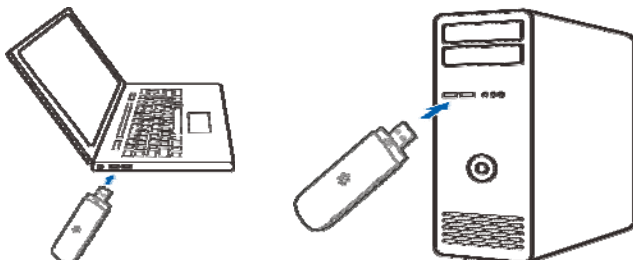


4. Slide the front cover gently back into place.



Connecting the Modem to Your PC

1. Plug the device into your computer's USB port and make sure that it is tightly inserted.



2. The OS automatically detects and recognizes your modem and starts the installation wizard.

NOTE:

If the system does not launch installation automatically, you can run the installation program in path of **My Computer > ZTEMODEM**.

Accessing the Internet

After the device is connected to your PC successfully, you can access the Internet in the **Automatic** or **Manual** mode. The default mode is **Automatic**.

Mode	Operations
Automatic	Your device will connect to the Internet automatically, and your clients can surf on the Internet directly.
Manual	<ol style="list-style-type: none">1. Log in the webGUI configuration page.2. Select Settings > Network Settings > Dial-up Settings > WAN Connection Mode > Manual and then click Apply to confirm your configuration.3. Click Home and then click Connect to access the Internet.

NOTE:

If you want to modify the detailed parameters of your device, please log in the webGUI configuration page by visiting <http://192.168.0.1> or <http://m.home>.

Warning and Notice

To the Owner

- Some electronic devices are susceptible to electromagnetic interference sent by modem if inadequately shielded, such as the electronic system of vehicles. Please consult the manufacturer of the device before using the modem if necessary.
- Operating the modem may interfere with medical devices like hearing aids and pacemakers. Please always keep them more than 20 centimeters away from such medical devices when they are turned on. Turn the modem off if necessary. Consult a physician or the manufacturer of the medical device before using the modem.
- Be aware of the usage limitation when using a modem at places such as oil warehouses or chemical factories, where there are explosive gases or explosive products being processed. Turn off your modem if required.
- The use of electronic transmitting devices is forbidden in aircrafts, at petrol stations and in hospitals. Please observe and obey all warning signs and switch off your modem in these conditions.
- Do not touch the inner antenna area if not necessary. Otherwise it will affect your modem's performance.
- Store the modem out of the reach of little children. The modem may cause injury if used as a

toy.

- Do not touch the metallic parts of the modem so as to avoid a burn, when the modem is working.

Use Your USB Modem

- Please use original accessories or accessories that are authorized. Using any unauthorized accessories may affect your modem's performance, and violate related national regulations about telecom terminals.
- Avoid using the modem near or inside metallic structures or establishments that can emit electromagnetic waves. Otherwise it may influence signal reception.
- The modem is not waterproof. Please keep it dry and store in a shady and cool place.
- Do not use the modem immediately after a sudden temperature change. In such case, it will produce dew inside and outside the modem, so don't use it until it becomes dry.
- Handle the modem carefully. Do not drop, bend or strike it. Otherwise the modem will be damaged.
- No dismantling by non-professionals and only qualified technicians can undertake repair work.
- Operating temperature range of $-10\text{ }^{\circ}\text{C} \sim +60\text{ }^{\circ}\text{C}$ and humidity range of $5\% \sim 95\%$ are recommended.

Limited Warranty

- This warranty does not apply to defects or errors in the Product caused by:
 - i. Reasonable abrasion.
 - ii. End User's failure to follow ZTE's installation, operation or maintenance instructions or procedures.
 - iii. End User's mishandling, misuse, negligence, or improper installation, disassembly, storage, servicing or operation of the Product.
 - iv. Modifications or repairs not made by ZTE or a ZTE-certified individual.
 - v. Power failures, surges, fire, flood, accidents, actions of third parties or other events outside ZTE's reasonable control.
 - vi. Usage of third-party products, or usage in conjunction with third-party products provided that such defects are due to the combined usage.
-

vii. Any other cause beyond the range of normal usage intended for the Product.

End User shall have no right to reject or return the Product, or receive a refund for the Product from ZTE under the above-mentioned situations.

- This warranty is End User's sole remedy and ZTE's sole liability for defective or nonconforming items, and is in lieu of all other warranties, expressed, implied or statutory, including but not limited to the implied warranties of merchantability and fitness for a particular purpose, unless otherwise required under the mandatory provisions of the law.

Limitation of Liability

ZTE shall not be liable for any loss of profits or indirect, special, incidental or consequential damages resulting from or arising out of or in connection with using of this product, whether or not ZTE had been advised, knew or should have known of the possibility of such damages, including, but not limited to lost profits, interruption of business, cost of capital, cost of substitute facilities or product, or any downtime cost.

FCC Caution

This device complies with part 15 of the FCC Rules. Operation is subject to the following two conditions: (1) This device may not cause harmful interference, and (2) this device must accept any interference received, including interference that may cause undesired operation.

Note: This equipment has been tested and found to comply with the limits for a Class B digital device, pursuant to part 15 of the FCC Rules. These limits are designed to provide reasonable protection against harmful interference in a residential installation. This equipment generates uses and can radiate radio frequency energy and, if not installed and used in accordance with the instructions, may cause harmful interference to radio communications. However, there is no guarantee that interference will not occur in a particular installation. If this equipment does cause harmful interference to radio or television reception, which can be determined by turning the equipment off and on, the user is encouraged to try to correct the interference by one or more of the following measures:

-Reorient or relocate the receiving antenna.

-Increase the separation between the equipment and receiver.

-Connect the equipment into an outlet on a circuit different from that to which the receiver is connected.

-Consult the dealer or an experienced radio/TV technician for help.

Any Changes or modifications not expressly approved by the party responsible for compliance could void the user's authority to operate the equipment.

SAR Body Operation

This device was tested for typical body-support operations. To comply with RF exposure requirements, a minimum separation distance of 0.5 cm must be maintained between the user's body and the device, including the antenna. Third-party accessories used by this device should not contain any metallic components. Body accessories that do not meet these requirements may not comply with RF exposure requirements and should be avoided. Use only the supplied or an approved antenna.

How to Get Help

You can get Help by:

- Sending E-mail to **mobile@zte.com.cn**
- Visiting **www.ztedevice.com**
- Calling Service Hotline: **+86-755-26779999**

C € 1588
