

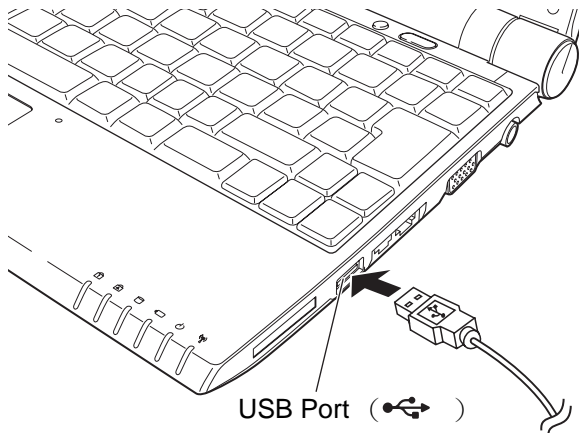
Using USB Compatible Peripherals

Must Know for USB Connection

- Before connection, please install the driver of USB device.
- Ensure the specific direction for plugging USB cable. DO NOT force to plug the cable into the port.
- Plural USB ports are located in the notebook, you can choose the port you want to use.
- If you need more USB ports, you can connect a USB hub to increase the ports.

Connecting USB Compatible Peripherals

- 1 Plug the USB cable into the USB port of the notebook.



After plugging the USB cable, the "Found New Hardware Wizard" will appear.

- 2 Follow the instruction of the wizard until [Finish]



button appears. It means the USB connection setting is done.

Notice

- If the wizard doesn't pop up, please unplug the USB cable and plug it again after 3 seconds.
- The specific USB drivers is required, if it is not built in this USB device.

- 3 Click [Finish] button.

Depends on what USB device you connect, the software installation may be required later.

Notice

- You can use the USB device immediately, when plug it into the USB port next time.
- If the USB device is connected to the different USB port, the "Found New Hardware Wizard" will appear. Please follow the steps above to do the setup again.

Using Memory Card

▼ Type of Memory Cards

The following types of memory card listed below can be used on this notebook.
You can use memory cards to store or read your files.

Memory Card	Copyright Protection	Erasion Prevention
SD	Yes	Yes
SDHC	Yes	Yes
MMC	No	No
Memory Stick	Yes	Yes
Memory Stick Pro	Yes	Yes

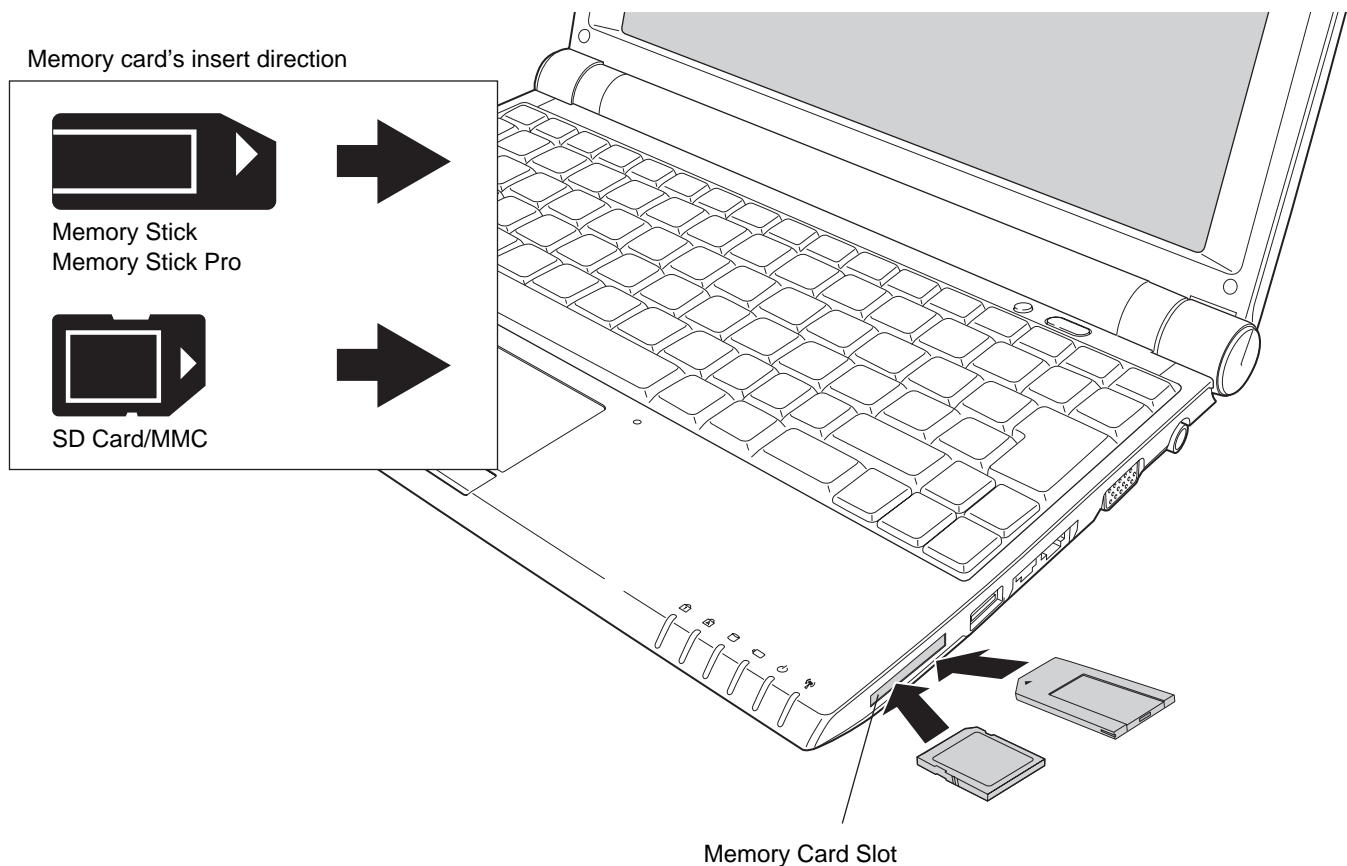


Notice

• The information disclosed in this manual is based on the data collected when compiled this manual.

▼ Insert Direction for Memory Cards

The different insert directions of memory cards are showed below.
Verifying the correct direction and inserting the card.



▼ Inserting Memory Card

The procedures of using memory card are showed below.

- 1 Ensure the correct insert direction and insert the card into the slot surely.

Notice

- Each kind of card has its specific insert direction. Ensure you insert the card in right direction.
- The “miniSD card” or the “memory stick duo” and so on which does not mentioned in the manual, cannot be used with the notebook. Before inserting the memory card, please verify card types.

- 2 Select the action you want and click [OK].



Notice

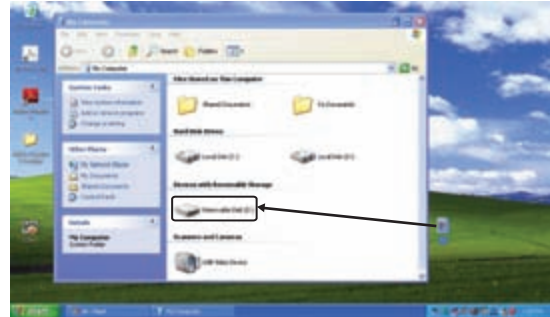
Depends on different cards you insert, the contents, the contents of the dialog box can be different.

Tip

- Click [Cancel], if you want to terminate this action.

■ File Copy

When the system recognize the memory card, you can drag and drop file from the other disk to the card. The file can be copied into the card.



■ About the Write-Protect Switch

There is an write-protect switch on the side of the SD card, and the rear of the memory stick. When the switch is adjusted to the “LOCK” position, it can prevent the data elimination or overwriting.

▼ Memory Card Removal

- 1 Before removing the memory card, please ensure the card operation is finished (data reading and writing has been done).

Attention

While using various memory cards on Windows, please do not remove the memory card unattentively. It is possible to damage the memory card and the memory card slot.

Notice

When “Safe To Remove Hardware” icon appears, the windows is not able to recognize the memory card until Windows is restarted.

Installing Memory Module

▼ About Memory

Memory, is something like the desk. When the top of the desk is wide, your job is easy to do. When entire capacity of memory is large, the operation of application software becomes smooth.



When the memory is small . . .



▼ Work Flow for Memory Installation

- Turn off the notebook
- Remove battery pack and AC adapter


● Memory Installation ( Page 42)

● Verify the memory installed ( Page 43)



Attention

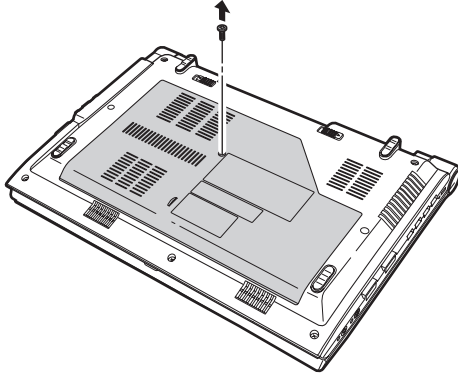
Pay attention when handling memory module

- Before installation, please turn off the notebook
- Before installation, please remove the battery pack and AC adapter.
- Memory is the extremely weak part in static electricity. It is possible to damage it when people or objects touch it with static electricity. Please remove static electricity of the body before touch the memory. ( Page 35)
- DO NOT touch the pin of memory. It is possible to cause memory broken by pin contact failure.
- Memory is a extremely weak part, please keep or remove it carefully.

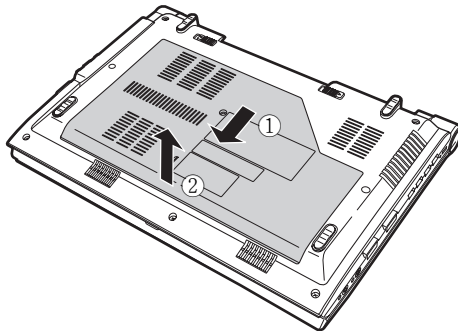
Exchange Memory

1 Close the LCD lid and turn over the notebook.

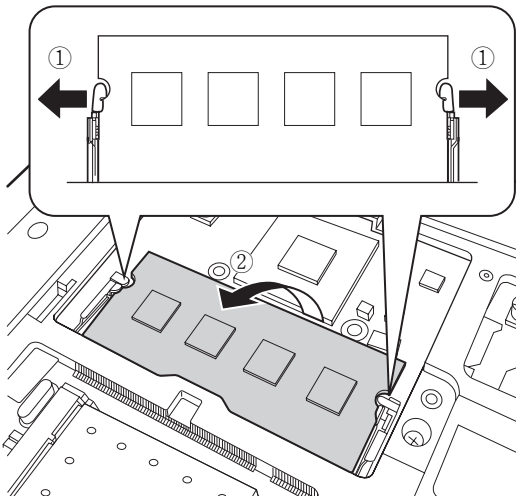
2 Remove the screw which locks the memory module cover.



3 Slide the memory module cover forward
(1) Raise and remove the cover (2)



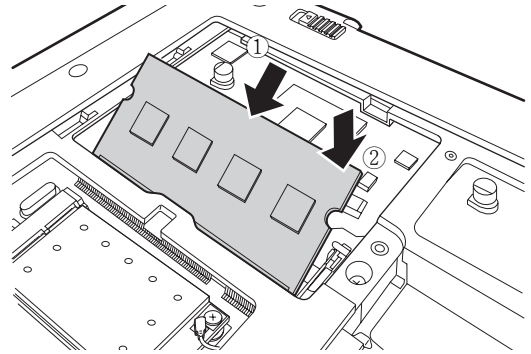
4 Open the hook which locks memory (1)
Remove memory from the memory slot (2)



Notice When opening the hook, do not apply unreasonable force and do it prudently. When the power is applied too much, It is possible to bend the hook.

5 Insert new memory module to the connector of the memory slot (1)

Push down and insert the memory to the memory slot connector until the "click" sounds. (2)



Notice

- Please make sure not insert the memory in the wrong direction.
- Please make sure the notch on memory's lower part is agreeable to the convex section of the slot.

6 Install the memory module cover, lock with the screw.

Notice

- Please do not break the nail on the right side of the memory module cover surface when you install the memory module cover.

7 Install battery pack and connect AC adapter.