

WF821+

LTE Indoor CPE

Quick Start Guide ▶

PN:6061A4385323



WELCOME TO THE LTE CPE

This document will serve as a quick start guide for LTE indoor device. In this document, the LTE CPE will be called CPE for short. Please read the following safety symbols carefully to help you use the CPE safely and correctly.

- 💬 Additional information
- ⚡ Optional methods or shortcuts for an action
- ⚠ Potential problems or conventions that need to be specified

Package Contents

Please check the package contents before installation:

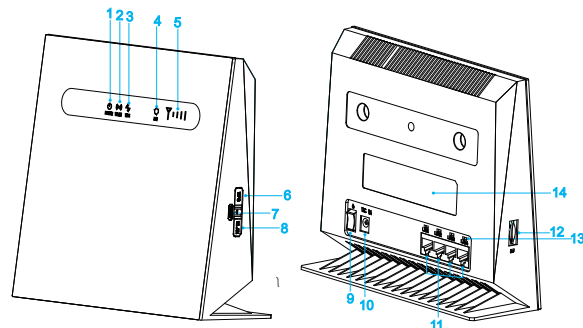
- > LTE CPE
- > Power adapter
- > Ethernet cable
- > Quick Start Guide

💬 If you find anything missing or damaged, please contact your local service suppliers.

GETTING STARTED

💬 The figures provided in this document are just for reference only, please refer to the actual which shall govern.

Equipment Appearance



1	POWER Indicator	6	WPS Button	11	LAN Port
2	Wi-Fi Indicator	7	Reset Button	12	SIM Card Slot
3	WPS Indicator	8	Wi-Fi Button	13	LAN Indicator
4	LTE Status Indicator	9	Power Switch	14	Label
5	LTE Signal Indicator	10	DC Jack		

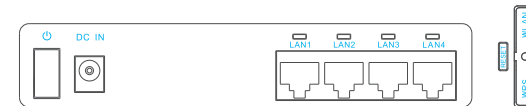
LED INDICATION



LED Indicator	LED States	Description
POWER	On	Power supply normal
	Off	No power supply
Wi-Fi	On	Wi-Fi is enabled
	Off	Wi-Fi is disabled
	Blink	Data is transferred through Wi-Fi
WPS	On	WPS is enabled
	Off	WPS is disabled
	Blink	Wi-Fi access authentication in progress.
LTE	Blue LED On	Resisted to LTE
	Red LED On	Detecting no SIM card
	Blue LED Blinking	Detected USIM Card, searching LTE network
SIGNAL	On	Indicator LTE signal Strength.
	Off	No LTE signal
LAN	On	Ethernet connection is normal.
	Off	Ethernet connection is not established.
	Blink	Ethernet interface data being transmitted.

Special LED status 1: when upgrading firmware, WPS and Wi-Fi LED will blink.
Special LED status 1: when resetting CPE, All LED will be on except signal LED.

INTERFACE AND BUTTON



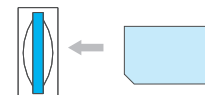
Interface & button	Description
DC IN	DC power input port
LAN1-LAN4	Connect computer, switches (non PoE devices) or other LAN devices
RESET	Press 1s to reboot device. Press 10s and more, CPE will restore to factory mode. ⚠ You will lost user defined setting once you reset CPE. So, be cautious to click Reset Button.
WLAN	WLAN button
WPS	WPS PBC button
SIM	USIM Slot

SET UP THE HARDWARE

Insert SIM Card

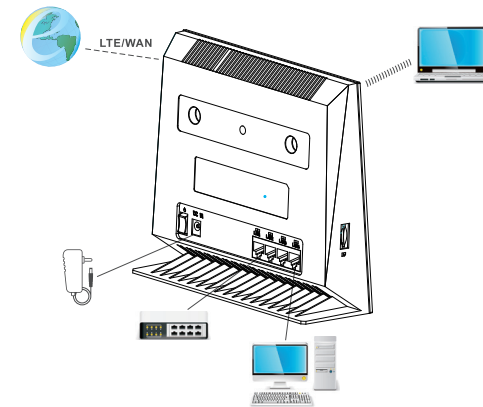
⚠ If you want to remove the SIM card, please lightly press the SIM card, the SIM card will pop out. Make sure the CPE is turned off before you insert or remove your SIM card. Otherwise, the CPE and SIM card may be damaged.

Please insert your SIM card as following:



HARDWARE CONNECTION

⚡ The figure is just for reference only, please connect the hardware according to your requirements.



Step 1 Connect the power adapter to the CPE.

Step 2 Power on CPE.

Step 3 Connect other devices.

- You can connect your computer or classic Switch via Ethernet cable to LAN port.
- You can connect your laptop via Wi-Fi.

⚡ When you are using the CPE, you can adjust the position and direction of CPE to get stronger LTE signal, judging from the LTE signal LED indication.

SET UP CPE

Login the Web Management Page

Use a browser to login the web management page to configure and manage the CPE.

- Step 1 Connect the CPE properly.
- Step 2 Launch Internet Explorer, enters http://192.168.1.1 in the address bar, and press Enter.



- Step 3 Enter the user name and password, and login.

You can login to the web management page after the password is verified.

LTE SETTING

- Step 1 Connect the CPE properly.
- Step 2 Login to the web management page.
- Step 3 Chose Network→LTE Setting.
- Step 4 Set Connect Mode and Scan mode.

LTE Settings	
Module Information	
Module Model	MLH9A11
Module Version	4.2.2.0-30436-BYPASS-1.1.1
IMEI	864537022230714
IMSI	460680004200068
Settings	
Status	Connected
Connect Method	Auto
Scan Mode	FullBand
Frequency(EARFCN)	Click For Setting

- The default configuration are auto connect and scan full band, if you want to connect the LTE network according to your requirement, you can set the connect method as manual, and just scan some specified band.

WI-FI SETTING

- Step 1 Connect the CPE properly.
- Step 2 Login the web management page.
- Step 3 Chose Wi-Fi→WLAN Setting.
- Step 4 In the General Settings area, set Wi-Fi to Enable, or enable Wi-Fi with Wi-Fi button.
- Step 5 In the Setting area, modify the SSID, such as "LTE-Router".
- Step 6 To ensure your data safety, it is recommended that you change the default Wi-Fi password.
- Step 7 Click Submit to save the configuration.

WLAN Settings	
General Settings	
WLAN	<input checked="" type="checkbox"/> Enable
Mode	802.11b/g/n(Auto)*
Channel	Auto
WPS Settings	
WPS	<input checked="" type="checkbox"/> Enable
SSID Profile	
SSID	Choice Wireless-0A3900 *(1-32 ASCII characters)
Maximum number of devices	32
Hide SSID broadcast	<input type="checkbox"/> Enable
AP isolation	<input type="checkbox"/> Enable
Security	WPA-PSK&WPA2-PSK
WPA encryption	TKIP&AES
Show password	<input type="checkbox"/> Enable
Password	***** * (8-63 ASCII characters or 8-64 hexadecimal characters)

FAQs

- The POWER indicator does not turn on.
 - Make sure that the power cable is connected properly and the CPE is powered on.
 - Make sure that the power adapter is compatible with the CPE.
- Fails to login the web management page.
 - Make sure that the CPE is started.
 - Verify that the CPE is correctly connected to the computer through Wi-Fi or a network cable.

- The CPE fails to search for the wireless network.
 - Check that the power adapter is connected properly.
 - Check that the CPE is placed in an open area that is far away from obstructions, such as concrete or wooden walls.
 - Check that the CPE is placed far away from household electrical appliances that generate strong electromagnetic field, such as microwave ovens, refrigerators, and satellite dishes.

- The power adapter of the CPE is overheated.
 - The CPE will be overheated after being used for a long time. Therefore, power off the CPE when you are not using it.
 - Check that the CPE is properly ventilated and shielded from direct sunlight.

FAQs

- The parameters are restored to default values.
 - If the CPE is powered off unexpectedly while being configured, the parameters may be restored to the default settings.
 - After configuring the parameters, download the configuration file to quickly restore the CPE to the desired settings.
- If the problem persists, please contact authorized local service suppliers.

This product has reached the standard of shipment inspection.



FCC RF Radiation Exposure Statement

This equipment complies with FCC radiation exposure limits set forth for an uncontrolled environment. To comply with FCC RF Exposure compliance requirements, this grant is applicable to only Mobile Configurations. The antennas used for the transmitter must be installed to provide a separation distance of at least 20cm from all persons and must not be co-located or operating in conjunction with any other antenna or transmitter.

FCC Regulations:

- This device complies with part 15 of the FCC Rules. Operation is subject to the following two conditions: (1) This device may not cause harmful interference, and (2) this device must accept any interference received, including interference that may cause undesired operation.
- This equipment has been tested and found to comply with the limits for a Class B digital device, pursuant to part 15 of the FCC Rules. These limits are designed to provide reasonable protection against harmful interference in a residential installation. This equipment generates, uses and can radiate radio frequency energy and, if not installed and used in accordance with the instructions, may cause harmful interference to radio communications. However, there is no guarantee that interference will not occur in a particular installation. If this equipment does cause harmful interference to radio or television reception, which can be determined by turning the equipment off and on, the user is encouraged to try to correct the interference by one or more of the following measures:
 - Reorient or relocate the receiving antenna.
 - Increase the separation between the equipment and receiver.
 - Connect the equipment into an outlet on a circuit different from that to which the receiver is connected.
 - Consult the dealer or an experienced radio/ TV technician for help.
- Changes or modifications not expressly approved by the manufacturer could void the user's authority to operate the equipment.