

# **ZTE S186**

## **CDMA 1X Digital Mobile Phone**

### **Quick Start Guide**

ZTE CORPORATION  
NO. 55, Hi-tech Road South, ShenZhen, P.R.China  
Postcode: 518057  
Tel: (86) 755 26779999  
URL: <http://www.zte.com.cn>  
E-mail: [mobile@zte.com.cn](mailto:mobile@zte.com.cn)

**LEGAL INFORMATION**

Copyright © 2011 ZTE CORPORATION.

All rights reserved.

No part of this publication may be excerpted, reproduced, translated or utilized in any form or by any means, electronic or mechanical, including photocopying and microfilm, without the prior written permission of ZTE Corporation.

The manual is published by ZTE Corporation. We reserve the right to make modifications on print errors or update specifications without prior notice.

Version No. : R1.0  
Edition Time : 2011.10  
Manual No. :

# Chapter 1

## Phone Overview



# Chapter 2

## Key Functions

Key	Function Description
<b>Call Key</b>	<ul style="list-style-type: none"><li>• Make or answer a call.</li><li>• Press the <b>Call Key</b> in standby mode to enter All Calls list.</li></ul>
<b>End Key</b>	<ul style="list-style-type: none"><li>• End an active call or reject a call.</li><li>• Long press to Power on/Power off.</li><li>• Exit from any interface to standby mode.</li></ul>
<b>Left Soft Key</b>	<ul style="list-style-type: none"><li>• Switch to the options at lower left of the LCD.</li><li>• In standby mode, press the <b>Left Soft Key</b> to enter the main menu.</li></ul>
<b>Right Soft Key</b>	<ul style="list-style-type: none"><li>• Enter All of PhoneBook in standby mode.</li><li>• Switch to the options at lower right of the LCD.</li></ul>
<b>Navigation Keys</b>	<ul style="list-style-type: none"><li>• Move the cursor up, down, left and right.</li><li>• In standby mode, Used as hot keys to enter the designated functions.</li><li>• In PhoneBook list, press the <b>Left Key</b> or <b>Right Key</b> to switch groups.</li><li>• Press the <b>Left Key</b> or <b>Right Key</b> to adjust volume in conversation.</li><li>• Press and hold the <b>UP Key</b> to turn on/off the LED Light.</li><li>• Used as direction key in games.</li></ul>
<b>OK Key</b>	<ul style="list-style-type: none"><li>• Confirm the commands and options selected.</li><li>• Confirm the character chosen while character inputting.</li><li>• In standby mode, press the <b>OK Key</b> to enter the <b>Freedom</b> menu.</li></ul>
<b>0 ~ 9 Number Keys</b>	<ul style="list-style-type: none"><li>• Key in numbers or characters.</li><li>• Press and hold the <b>0 Key</b> to input + in standby mode.</li><li>• Make a Speed Dial call (2-9) in standby mode.</li><li>• Press to enter corresponding submenu.</li></ul>
<b># Key</b>	<ul style="list-style-type: none"><li>• Press the <b># Key</b> to select text mode when edit text.</li><li>• Press and hold <b># Key</b> to active vibration mode.</li></ul>
<b>* Key</b>	<ul style="list-style-type: none"><li>• Press and hold the <b>* Key</b> in standby mode to lock phone's keypad.</li></ul>

Key	Function Description
	• Press the * <b>Key</b> once to enter symbols in text input mode.

## Chapter 3

### Open the Back Cover

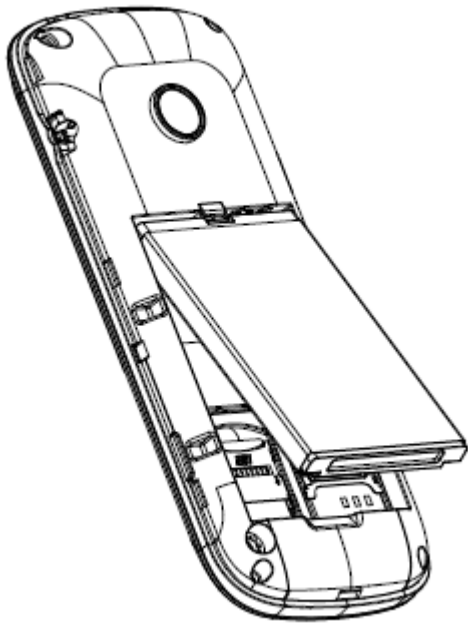
Remove the back cover as shown below.



# Chapter 4

## **Installing the Battery**

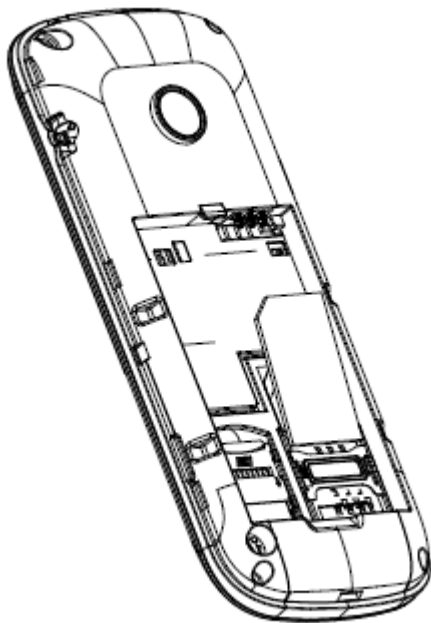
Install the battery as shown below.



# Chapter 5

## Inserting the UIM Card

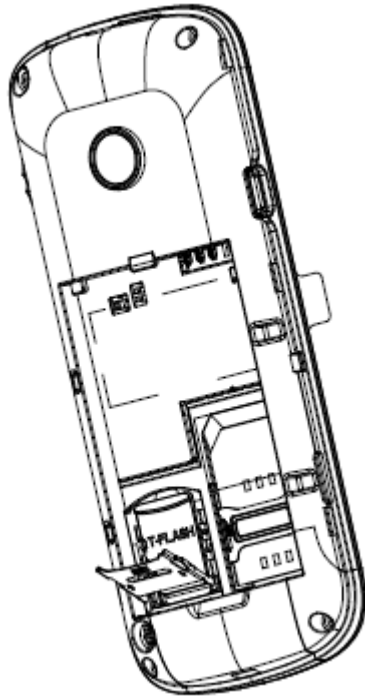
Insert the UIM card as shown below.



# Chapter 6

## Inserting the T Card

Insert the T card as shown below.

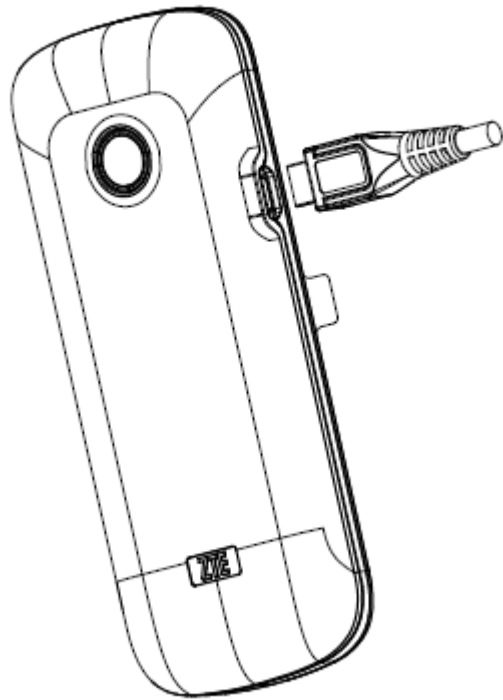




# Chapter 7

## Charging Your Phone

1. Insert the lead from the charger to the socket, and connect the charger to a standard wall AC socket.



2. After the completion of charging, disconnect the charger from the phone and AC socket.

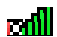






# Chapter 8

## **Switching On/Off**

1. Press and hold the **End Key** to switch on/off your phone.
2. The phone will automatically search for available networks.

# Chapter 9

## Indicators and Icons

Icon	Description	Icon	Description
	Signal strength		Battery indicator
	New SMS		Silence mode
	Vibrate mode		Alarm
	Ring + Vibrate mode		

# Chapter 10

---

## Keypad Lock

If you activate **Auto Keypad Lock**, the keypad will be locked automatically according to your settings.

Press and hold the \* **Key** to lock the keypad in standby mode.

If you want to unlock the keypad, please press the **Right Soft Key** first, and then the \* **Key**.



Notes:

If the call is coming when the keypad is locked, you can press the **Call Key** to answer.

When the keypad is locked, calls may be possible to the official emergency number programmed into your device.

# Chapter 11

---

## Phone Code

Phone could prevent your phone from illegal use. The default phone code is 0000. Please change it to your own as soon as possible.



Notes:

Please remember the code; otherwise some service expense may happen.

# Chapter 12

---

## PIN and PUK

### PIN Code

PIN code could prevent your UIM card from illegal use. When PIN lock is on, you should enter the PIN code when powering on the handset again. The network provider offers you PIN code (four to eight digits). You should change PIN code as soon as possible for security.

### PUK Code

Consecutive inputting wrong PIN code for three times can cause locking of UIM card. To unlock, you need PUK code.



#### Notes:

PIN code and PUK code may be offered together with the UIM card. If not, please contact your network service provider. Please change default PIN code to your own as soon as possible.

# Chapter 13

## Text

Your phone offers text input modes: abc, Abc, ABC, 123, eZi and Symbols.

Operation	Method
Change input mode	Press the <b># Key</b> to select another text mode, press the <b>* Key</b> to enter the symbols mode.
Input Letters	In the <b>abc/Abc/ABC</b> mode, press corresponding letter key till the letter appears.
Input Words	In the <b>eZi</b> mode, press any key once to key in any word. Predictive text input is based on a built-in dictionary. When you have finished writing the word and it is correct, confirm it by pressing the <b>OK Key</b> . If the word is incorrect, press the <b>Up key</b> or <b>Down key</b> to view other matching words found in the dictionary.
Input Digits	In the <b>123</b> mode, press digit key once.
Input Symbol	Press the <b>Navigation keys</b> to switch symbols and press corresponding digit key. Or press the <b>1 key</b> till the symbol (common symbols) appears except for the <b>123</b> mode.
Input Space	Press the <b>0 key</b> , except for the <b>123</b> mode.
Erase Character	Press the <b>Right Soft Key</b> .
Move cursor	Press the <b>Navigation keys</b> .

# Chapter 14

---

## Basic Function

Herein after are basic functions of the phone.

### **Contacts**

- **Add Name:** Add a new contact to your phone or UIM card.
- **All List:** View all contacts in all list, press the **Left Key** or **Right Key** to view different groups. In all list, you can search for a contact by entering the key words, press the OK Key to view the details. Select Option to do more operations.
- **Groups:** View/edit groups and set group ringer.
- **Speed Dials:** View speed dial list and you can set speed dial. In standby mode, hold the number key to dial the corresponding call.
- **Memory Status:** View Number of entries saved and maximum number of entries capacity in phone and UIM card.

### **Messages**

- **New Message:** Send a new message to other mobile phones' number. The message could be send to multi-receivers. See "Text" for more instructions of writing text and character. Select **Option** to insert contact details and message template when you edit a message.
- **Inbox/Voice Mail/Drafts/Outbox/Sent:** Read messages in Inbox/Voice Mail/Drafts/Outbox/Sent.
- **Message Settings:** Change the general and SMS settings.
- **Message Template:** Some common used messages preformatted in phone. You can edit or send them.
- **Delete Message:** You can choose to delete the messages in the inbox, drafts, outbox, sent or delete them together.
- **Memory Status:** Check the storage status of the phone/UIM card.

### **Call History**

- **Call History:** View call's log.
- **Call Duration:** Check the call duration.

### **Display**

- **Display:** You can change the settings of screen/Theme/banner/keypad light/cadence light.

### **Settings**

- **Profile:** Select or edit the profile.
- **Phone Settings:** Set the shortcut/auto keypad lock/power save/auto power on/off of the phone and view the version information.
- **Call Settings:** Set the call/answer/call information reminder/voice privacy settings.
- **Security Settings:** Change or use the settings about the phone code and PIN code, restore factory settings and clear user data.



# Chapter 15

## Special Functions

Herein after are special functions of the phone.

### *Voice Recorder*

1. Select **Left Soft Key > Menu > Utilities > Voice Recorder**.
2. Select **Option > Settings** to set the recorder volume.
3. Press the **OK Key** to start recording your voice memo.
4. Press the **Left Soft Key [Pause]** to pause, press the **Left Soft Key [Continue]** to resume recording.
5. Press the **Right Soft Key [Stop]** to stop recording, and then the voice memo is saved automatically.

Press the **OK Key** to play it.

Select **Option** to do more operations.

# Chapter 16

---

## Other Facility

- **Calendar:** View calendar and schedule events.
- **Games:** Select one game and play it.
- **Alarm:** Set alarm alert time.
- **Calculator:** Execute basic math calculation.
- **Unite Converter:** Make unit conversion.
- **World Time:** View times of the other cities in the world.
- **Stopwatch:** Stopwatch timing.
- **Notepad:** Create note as memos.
- **File Manager:** Organize your files in folders.

# Chapter 17

## Safety Information

### **General Care**

- If you want to clean your phone, please use clean fabric that is a bit wet or anti-static. Do not use harsh chemical cleaning solvents or strong detergents to clean it. Turn off your phone before you clean it.
- As your mobile phone can produce electromagnetic field, do not place it near magnetic items such as computer disks.
- Using the phone near electrical appliances such as TV, telephone, radio and personal computer can cause interference, which affects the function of the phone.
- Do not expose your mobile phone to direct sunlight or store it in hot areas. High temperatures can shorten the life of electronic devices.
- Prevent liquid from leaking into your phone.
- Do not drop, knock or harshly treat your phone. Rough handling can break internal circuit boards.
- Do not charge the mobile phone without battery.
- Do not short-circuit the battery, as this can cause excessive heat and fire.
- Do not store battery in hot areas or dispose of it in a fire to avoid explosion.
- Store the phone out of the reach of little children. The phone may cause injury if used as a toy.
- Be aware of the usage limitation when using a mobile phone at places such as oil warehouses or chemical factories, where there are explosive gases or explosive products being processed, because even if your phone is in standby mode, it still transmits radio frequency (RF) energy. Therefore, power off your phone if required.
- Do not touch the antenna while calling. Otherwise it will affect the quality of calling and waste battery energy. The damaged antenna will cause slight burn while touching your skin.
- Do not put other things on the terminal to avoid overlaying radiator.
- Keep the antenna free from obstructions and position the antenna straight up. This will ensure best call quality.

### **General Guidelines**

- If your mobile phone is lost or stolen, please report to your service provider or agencies of banning the use of your lost phone, which will protect you from economic losses resulted from unauthorized use. You need to provide the phone's ESN/MEID number labeled. You can see ESN/MEID number after removing the battery. Please keep ESN/MEID number for future use.
- To protect your mobile phone from illegal use, please take the security measures as follows:
  - ▶ Set PIN code of the UIM card.
  - ▶ Take it with you as you can.

### **Road Safety**

Pay attention to traffic safety. Do not use your mobile phone while driving. Park before making or answering a call.

## ***Hospital Safety***

- Some electronic devices are susceptible to electromagnetic interference sent by phone if inadequately shielded. Please use phone at least 20 cm or as far away as you can from TV set, radio and other automated office equipment so as to avoid electromagnetic interference.
- Operating of mobile phone may interfere with medical devices like hearing aid and pacemaker. Please always keep the mobile phone more than 20 centimeters away from such medical devices when the phone is powered on. Do not carry the mobile phone in the breast pocket. Power the mobile phone off if necessary. Consult a physician or the manufacturer of the medical device before using the phone.

## ***Emergency Service***

On occasion of emergent calling, keep your phone in status of power on and in area of service. On the condition of standby, press the key to enter emergency phone number, and then press **Call Key** to make a phone call.

## ***Third Party Equipment***

- Please use original accessories or accessories that are authorized by the manufacturer. Using any unauthorized accessories may affect your mobile phone's performance, and violate related national regulations about telecom terminals, or even endanger your body.
- Do not connect the phone with other unauthorized peripheral equipments.
- Do not attempt to disassemble the mobile phone and battery by yourself. Non-expert handling of the devices may damage them.

## ***Vehicles Equipped with an Airbag***

- Before making or answering a call, you should pay attention to the local laws about using wireless mobile phones and take them into account in practical use.
- Safety airbag, brake, speed control system and oil eject system shouldn't be affected by wireless transmitting. If you do meet problems above, please contact your automobile provider.
- Please power off your mobile phone when refueling your automobile, and so do the place where duplex wireless equipments are banned. Don't put your phone together with flammable or explosive items, as inner spark may cause fire.

## ***Aircraft Safety***

- Follow the restrictions in aircraft. Wireless devices can cause interference in aircraft.
- Please power off your mobile phone before taking on till landing. In order to protect airplane's communication system from interference, it is never allowed to use mobile phone when it is in flight. Using mobile phone before the plane taking off should get aircrew's permission according to safety regulations.

## ***FCC Compliance (FOR PART 15B/PART 15C)***

This device complies with part 15 of the FCC Rules. Operation is subject to the following two conditions: (1) This device may not cause harmful interference, and (2) this device must accept any interference received, including interference that may cause undesired operation.

Caution: Changes or modifications not expressly approved by the manufacturer could void the user's authority to operate the equipment.

NOTE: This equipment has been tested and found to comply with the limits for a Class B digital device, pursuant to part 15 of the FCC Rules. These limits are designed to provide reasonable protection against harmful interference in a residential installation. This equipment generates, uses and can radiate radio frequency energy and, if not installed and used in accordance with the instructions, may cause harmful interference to radio communications. However, there is no guarantee that interference will not occur in a particular installation. If this equipment does cause harmful interference to radio or television reception, which can be determined by turning the equipment off and on, the user is encouraged to try to correct the interference by one or more of the following measures:

- Reorient or relocate the receiving antenna.
- Increase the separation between the equipment and receiver.
- Connect the equipment into an outlet on a circuit different from that to which the receiver is connected.
- Consult the dealer or an experienced radio/ TV technician for help.

NONE PART 15B/PART 15C is as below

## ***FCC Compliance***

This device complies with part 15 of the FCC Rules. Operation is subject to the condition that this device does not cause harmful interference.

Caution: Changes or modifications not expressly approved by the manufacturer could void the user's authority to operate the equipment.

## ***Radio Frequency (RF) Energy***

This model phone meets the government's requirements for exposure to radio waves.

This phone is designed and manufactured not to exceed the emission limits for exposure to radio frequency (RF) energy set by the Federal Communications Commission of the U.S. Government:

The exposure standard for wireless mobile phones employs a unit of measurement known as the Specific Absorption Rate, or SAR. The SAR limit set by the FCC is 1.6W/kg. \*Tests for SAR are conducted using standard operating positions accepted by the FCC with the phone transmitting at its highest certified power level in all tested frequency bands. Although the SAR is determined at the highest certified power level, the actual SAR level of the phone while operating can be well below the maximum value. This is because the phone is designed to operate at multiple power levels so as to use only the power required to reach the network. In general, the closer you are to a wireless base station antenna, the lower the power output.

The highest SAR value for the model phone as reported to the FCC when tested for use at the ear is 1.500W/kg and when worn on the body, as described in this user guide, is 0.918W/kg (Body-worn measurements differ among phone models, depending upon available enhancements and FCC requirements.)

While there may be differences between the SAR levels of various phones and at various positions, they all meet the government requirement.

The FCC has granted an Equipment Authorization for this model phone with all reported SAR levels evaluated as in compliance with the FCC RF exposure guidelines. SAR information on this model phone is on file with the FCC and can be found under the Display Grant section of <http://www.fcc.gov/oet/ea/fccid/> after searching on

FCC ID: Q78-ZTECS186.

For body worn operation, this phone has been tested and meets the FCC RF exposure guidelines for use with an accessory that contains no metal and the positions the handset a minimum of 1.5 cm from the body. Use of other enhancements may not ensure compliance with FCC RF exposure guidelines. If you do not use a body-worn accessory and are not holding the phone at the ear, position the handset a minimum of 1.5 cm from your body when the phone is switched on.

# Chapter 18

---

## Warranty Terms

The warranty does not apply to defects or errors in the product caused by:

- Reasonable abrasion.
- Misuse including mishandling, physical damage, improper installation, unauthorized disassembly of the product.
- Water or any other liquid damage.
- Any unauthorized repair or modification.
- Power surges, lightning damage, fire, flood or other events outside ZTE's reasonable control.
- Use of the product with any unauthorized third party products such as generic chargers.
- Any other cause beyond the range of normal usage for products.

End User shall have no right to reject, return, or receive a refund for any product from ZTE under the above-mentioned situations.

This warranty is end user's sole remedy and ZTE's sole liability for defective or nonconforming items, and is in lieu of all other warranties, expressed, implied or statutory, including but not limited to the implied warranties of merchantability and fitness for a particular purpose, unless otherwise required under the mandatory provisions of the law.

# **Chapter 19**

---

## **Limitation of Liability**

ZTE shall not be liable for any loss of profits or indirect, special, incidental or consequential damages resulting from or arising out of or in connection with using this product, whether or not ZTE had been advised, knew or should have known the possibility of such damages. Refer to the enclosed warranty card for full warranty and service information.