

MF631

USB Modem

Quick Guide

ZTE CORPORATION
NO. 55, Hi-tech Road South, ShenZhen, P.R.China
Postcode: 518057
Tel: (86) 755 26779999
URL: <http://www.zte.com.cn>
E-mail: mobile@zte.com.cn

LEGAL INFORMATION

Copyright © 2010 ZTE CORPORATION.

All rights reserved.

No part of this publication may be excerpted, reproduced, translated or utilized in any form or by any means, electronic or mechanical, including photocopying and microfilm, without the prior written permission of ZTE Corporation.

The manual is published by ZTE Corporation. We reserve the right to make modifications on print errors or update specifications without prior notice.

Version No. : R1.0

Edition Time :

Manual No. :

Chapter 1

Quick Guide

Introduction

The ZTE USB modem is a multi-mode USB modem, working in HSPA/HSDPA/WCDMA/EDGE/GPRS/GSM networks. With USB interface connecting to a laptop or a desktop PC, it integrates the functionality of a modem and a mobile phone (SMS), and combines mobile communication with Internet perfectly. It supports data and SMS services through the mobile phone network, enabling you to communicate anytime and anywhere.

Specification

The following table shows the specification of your device.

| | |
|-----------------------------|--|
| Interface Type | USB 2.0 high speed |
| Systems supported | Supports most types of laptop and desktop PC. |
| Operating systems supported | Windows XP, Vista, Windows 7 MAC 10.4 or above |
| Functions | SMS service, Data service, Applications management, support microSD card, etc. |
| Network Standards | HSPA/HSDPA/WCDMA/EDGE/GPRS/GSM |
| Transmission speed (Max) | HSPA: 5.76Mbps UL HSDPA: 7.2Mbps DL |
| Temperature | Storage: -40°C ~ +80°C |
| | Operation: -10°C ~ +55°C |
| Dimension | 76mm×24.5mm×10mm |
| Weight | About 25g |
| microSD capability | Support up to 32GB microSD card |

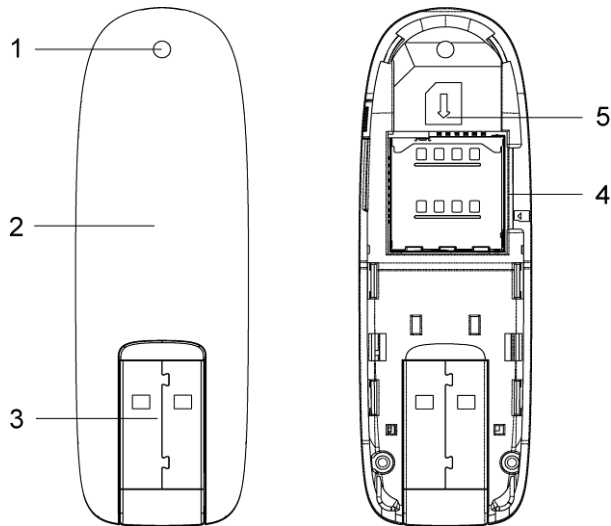


Notes:

microSD  is a trademark of SD Card Association.

Getting to know your device

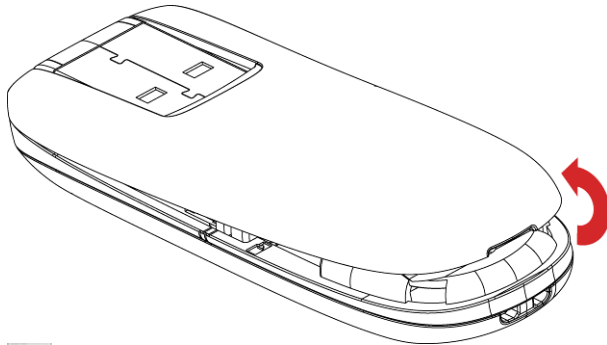
The following figure shows the appearance of the MF631. It is only for your reference. The actual product may be different.



1. Indicator
2. Front Cover
3. USB Connector
4. microSD card slot
5. SIM/USIM card slot

Hardware Installation

1. Put finger on the bottom finger grip, and then lift the cover of the modem to release and remove.

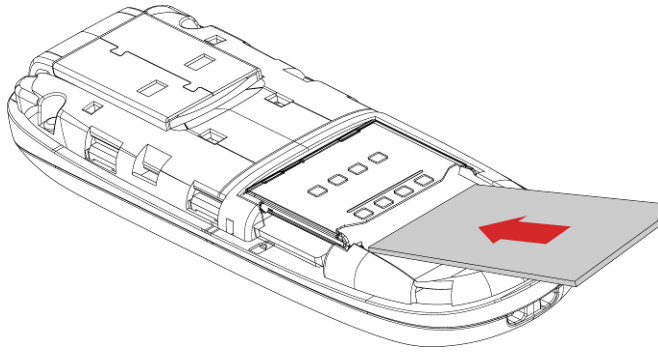


Notes:

Do not open the cover rudely so as to avoid the damage of the cover.

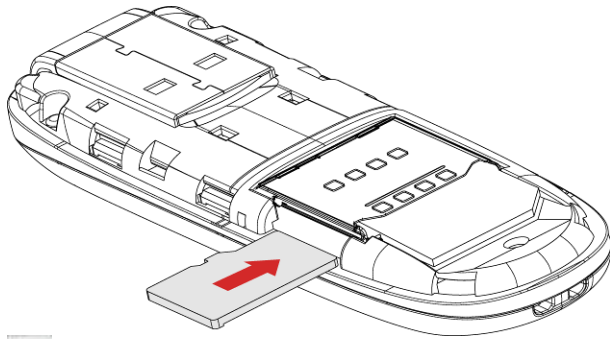
2. Insert the SIM/USIM card into the SIM/USIM card slot.

Insert the SIM/USIM card with the metal contact area facing downwards into the slot, shown as the following picture.



3. Insert the microSD card into the microSD card slot.

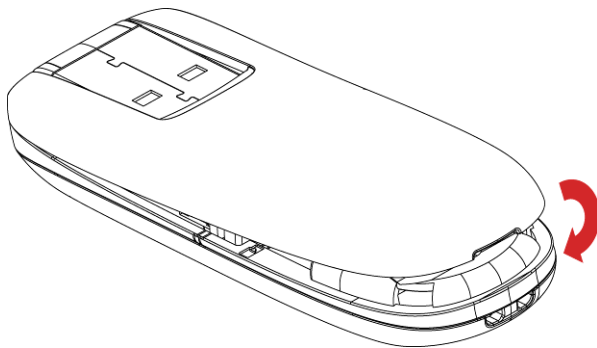
Insert your microSD card into the microSD card slot, shown as the following picture.



Notes:

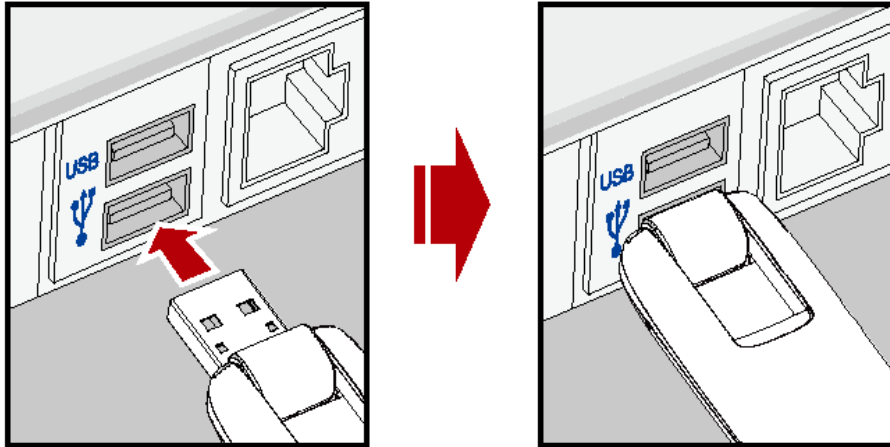
This modem only supports microSD card.

4. Put the cover of the modem flatly upon the body of modem. Direct the cover towards the locking catches on the sides of the modem and push the cover of the modem to lock the cover into its place.



5. Connect the Modem to your laptop or desktop PC.

- ▶ Rotate the USB connector and plug the USB connector into your computer's USB port. Make sure that it is tightly inserted.



- ▶ The OS automatically detects and recognizes new hardware and starts the installation wizard.

Software Installation Guide

On different operating systems, the installation procedures may be difference. Follow the system prompts during operation.

For Windows OS

Your system will start the software setup process automatically when you connect the modem to your computer correctly. Follow the system prompts to complete the software installation.



Notes:

If the system does not launch installation automatically, you can run the installation program in path of **My Computer > ZTEMODEM**.

For Mac OS



The system will automatically display a **ZTEMODEM** CD-ROM icon on the desktop, when you connect the modem to your computer correctly. Double click the installation software package in the **ZTEMODEM**, and follow the system prompts to complete the software installation.




Safe removal from your system

Please close the application software, and then you can pull out the USB Modem safely.

How to use your modem

Various icons are presented to enable quick operation of the following functions:

| | | |
|---|---------|--|
|  | Connect | Connect to the Internet. |
|  | SMS | Click New button, enter recipient's number and content, and then click Send to send new message. |

| | | |
|---|--------------|---|
|  | Phonebook | Click New to fill in a new contact person and contact details. |
|  | Settings | Set the configuration for the USB modem. |
|  | Data records | Show the connection information. |

Warning and Notice

To the owner

- Some electronic devices are susceptible to electromagnetic interference sent by modem if inadequately shielded, such as the electronic system of vehicles. Please consult the manufacturer of the device before using the modem if necessary.
- Operating of laptop and desktop PCs and the modem may interfere with medical devices like hearing aids and pacemakers. Please always keep them more than 20 centimeters away from such medical devices when they are turned on. Turn the modem off if necessary. Consult a physician or the manufacturer of the medical device before using the modem.
- Be aware of the usage limitation when using a modem at places such as oil warehouses or chemical factories, where there are explosive gases or explosive products being processed. Turn off your modem if required.
- The use of electronic transmitting devices is forbidden in aircrafts, at petrol stations and in hospitals. Please observe and obey all warning signs and switch off your modem in these conditions.
- Do not touch the inner antenna area if not necessary. Otherwise it will affect your modem's performance.
- Store the modem out of the reach of little children. The modem may cause injury if used as a toy.
- Do not touch the metallic parts of the modem so as to avoid a burn, when the modem is working.

Using your USB Modem

- Please use original accessories or accessories that are authorized. Using any unauthorized accessories may affect your modem's performance, and violate related national regulations about telecom terminals.
- Avoid using the modem near or inside metallic structures or establishments that can emit electromagnetic waves. Otherwise it may influence signal reception.
- The modem is not waterproof. Please keep it dry and store in a shady and cool place.
- Do not use the modem immediately after a sudden temperature change. In such case, it will produce dew inside and outside the modem, so don't use it until it becomes dry.
- Handle the modem carefully. Do not drop, bend or strike it. Otherwise the modem will be damaged.
- No dismantling by non-professionals and only qualified technicians can undertake repair work.
- Operating temperature range of $-10^{\circ}\text{C} \sim +55^{\circ}\text{C}$ and humidity range of $5\% \sim 95\%$ are recommended.

Frequency (RF) Energy

This device meets the government's requirements for exposure to radio waves.

This device is designed and manufactured not to exceed the emission limits for exposure to radio frequency (RF) energy set by the Federal Communications Commission of the U.S. Government.

The exposure standard for wireless device employs a unit of measurement known as the Specific Absorption Rate, or SAR. The SAR limit set by the FCC is 1.6W/kg. *Tests for SAR are conducted

using standard operating positions accepted by the FCC with the device transmitting at its highest certified power level in all tested frequency bands. Although the SAR is determined at the highest certified power level, the actual SAR level of the phone while operating can be well below the maximum value. This is because the device is designed to operate at multiple power levels so as to use only the power required to reach the network. In general, the closer you are to a wireless base station antenna, the lower the power output.

The highest SAR value is 1.170W/kg. While there may be differences between the SAR levels of various devices and at various positions, they all meet the government requirement.

The FCC has granted an Equipment Authorization for this device with all reported SAR levels evaluated as in compliance with the FCC RF exposure guidelines. SAR information on this device is on file with the FCC and can be found under the Display Grant section of <http://www.fcc.gov/oet/fccid> after searching on FCC ID: Q78-ZTEMF631.

For body operation, this device has been tested and meets the FCC RF exposure guidelines for use the positions the device a minimum of 5mm from the body. Use of other enhancements may not ensure compliance with FCC RF exposure guidelines.

Declaration

We, ZTE Corporation, declared that:

The user is cautioned that changes or modifications not expressly approved by the manufacturer could void the user's authority to operate the equipment.

This device complies with part 15 of the FCC Rules. Operation is subject to the following two conditions: (1) This device may not cause harmful interference, and (2) this device must accept any interference received, including interference that may cause undesired operation.

NOTE: This equipment has been tested and found to comply with the limits for a Class B digital device, pursuant to part 15 of the FCC Rules. These limits are designed to provide reasonable protection against harmful interference in a residential installation.

This equipment generates, uses and can radiate radio frequency energy and, if not installed and used in accordance with the instructions, may cause harmful interference to radio communications. However, there is no guarantee that interference will not occur in a particular installation. If this equipment does cause harmful interference to radio or television reception, which can be determined by turning the equipment off and on, the user is encouraged to try to correct the interference by one or more of the following measures:

- Reorient or relocate the receiving antenna.
- Increase the separation between the equipment and receiver.
- Connect the equipment into an outlet on a circuit different from that to which the receiver is connected.
- Consult the dealer or an experienced radio/ TV technician for help.

Changes or modifications not expressly approved by the party responsible for compliance could void the user's authority to operate the equipment.

Limited Warranty

- This warranty does not apply to defects or errors in the Product caused by:
 - i. Reasonable abrasion.
 - ii. End User's failure to follow ZTE's installation, operation or maintenance instructions or procedures.
 - iii. End User's mishandling, misuse, negligence, or improper installation, disassembly, storage, servicing or operation of the Product.
 - iv. Modifications or repairs not made by ZTE or a ZTE-certified individual.

- v. Power failures, surges, fire, flood, accidents, actions of third parties or other events outside ZTE's reasonable control.
- vi. Usage of third-party products, or usage in conjunction with third-party products provided that such defects are due to the combined usage.
- vii. Any other cause beyond the range of normal usage intended for the Product.

End User shall have no right to reject or return the Product, or receive a refund for the Product from ZTE under the above-mentioned situations.

- This warranty is End User's sole remedy and ZTE's sole liability for defective or nonconforming items, and is in lieu of all other warranties, expressed, implied or statutory, including but not limited to the implied warranties of merchantability and fitness for a particular purpose, unless otherwise required under the mandatory provisions of the law.

Limitation of Liability

ZTE shall not be liable for any loss of profits or indirect, special, incidental or consequential damages resulting from or arising out of or in connection with using of this product, whether or not ZTE had been advised, knew or should have known of the possibility of such damages, including, but not limited to lost profits, interruption of business, cost of capital, cost of substitute facilities or product, or any downtime cost.

How to get help

You can get Help by:

- Clicking **Help** on the software.
- Sending E-mail to **mobile@zte.com.cn**
- Visiting **http://www.zte.com.cn**
- Calling Service Hotline: **+86-755-26779999**