

#9456/9457/9485/9344/9356/9376/  
9462/9463/9409/9396/9404/9403

**Instruction Manual**

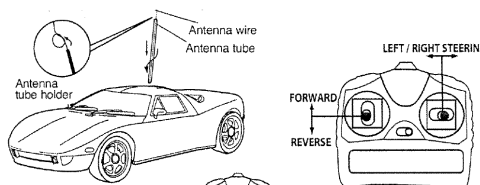
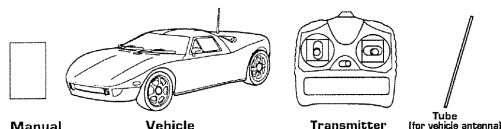
Please read through this instruction manual, carefully before starting to operate. Please ensure to remove all accessories and components from packaging.



**How to Play**

1. Insert antenna wire through the hollow tube. Avoid pulling wire too tight. Tie a knot on top to secure.
2. Turn switch to "ON" position for power. You are set to run!

**What is required to play**

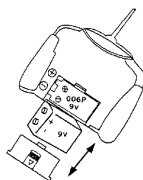


**Battery requirements**

Recommended to use alkaline batteries for best performance.  
Vehicle : 3 x 1.5V (AA) size batteries.  
Transmitter : 1 x 9V (006P , 6F22) size battery.

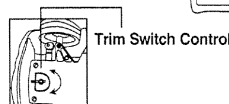
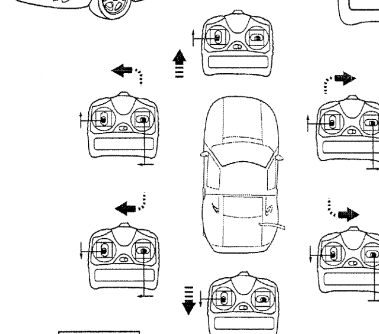
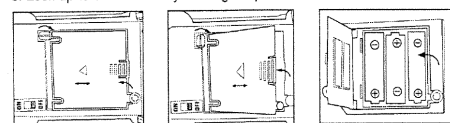
**Battery installation Transmitter**

1. Remove battery cover located at the back.
2. Insert 1 X 9V battery following the +/- marking.
3. Replace battery cover.



**Vehicle**

1. insert 3 X 1.5V(AA) batteries into the battery cartridge following the +/- marking.
2. Place loaded battery cartridge on the underside of vehicle following the +/- marking.
3. Lock up to secure battery cartridge in position.



Trim switch is located on the underside of the vehicle, between the two front wheels, and is used to align the wheels for consistent straight line driving.

**MAINTENANCE AND CARE**

- Never drive the vehicle on a wet floor, on sand, or in mud, rain or snow. These can damage it.
- Do not expose the vehicle to extreme temperatures.
- Be sure to remove the batteries from the vehicle and transmitter when storing the product away.
- To protect the vehicle's wheel mechanism from lint, thread, hair, and dust particles. You can use a small brush, tweezers or tie a small bit of cloth to the tip of a toothpick, etc., and wipe off.
- Always keep vehicle clean, use a dampened cloth to wipe off, and then wipe all the water off with a dry cloth. Never use chemicals to clean the product.
- Keep this instruction manual carefully for future use.
- Avoid holding the wheels when rotating, this will cause the electronic components to short - circuit, overheat and cause malfunction.

**HELPFUL HINTS**

- If vehicle does not respond to the transmitter, move closer to the vehicle and try again.
- If vehicle starts to lose power. It may experience loss of performance. If this happens, simply replace with new batteries.
- If the vehicle moves slowly, try changing the batteries and check the wheel mechanisms for lint, thread, hair or dust. Remember the 9V in the controller will last longer than the 3 X1.5V(AA).
- When the transmitter range decreases, replace the battery in the controller.
- If someone uses a CB nearby, it might interfere with control of the car. If this happens, move the car and transmitter away from the CB.

**CAUTION**

- Do not apply a big shock to vehicle and transmitter.
- Do not play in thunderstorms.
- Do not touch the wheels when the switch is turned ON because it is extremely dangerous.
- Do not leave the vehicle or transmitter near sources of heat or under direct sunlight for long periods of time, which may damage sensitive electronic instruments.
- Do not operate the vehicle near small children, because it can be very dangerous.
- Do not mix old and new batteries together. Do not mix battery type or brands.
- Always select a safe place to play. Never drive your vehicle in the street.
- Non - rechargeable batteries are not to be recharged
- Rechargeable batteries are to be removed from the toy being charged.
- Rechargeable batteries are only to be charged under adult supervision.
- Only batteries of the same or equivalent type as recommended are to be used.
- Batteries are to be inserted with the correct polarity.
- Exhausted batteries are to be removed from the toy.
- The supply terminals are not to be short circuited.

**TROUBLE SHOOTING**

Problem	Causes	Correction
Vehicle doesn't move	- Power switch is turned OFF. - Vehicle is too far away from the controller. - The metal tab in the battery cartridge is flattened and not touching the batteries installed.	- Turn the power switch ON. - Bring the vehicle closer to the controller. - Lift up the metal tab so that it touches the tip of the battery.
Vehicle drives slowly	- Weak batteries in the vehicle.	- Replace with batteries, following the +/- marking.
Poor range control	- Weak battery in the transmitter. - Strong interference at the surrounded area.	- Replace with new battery. - Move to a better location to drive your vehicle.

**Warning:**

Changes or modifications to this unit not expressly approved by the party responsible for compliance could void the user's authority to operate the equipment

**NOTE:** This equipment has been tested and found to comply with the limits for a Class B digital device, pursuant to Part 15 of FCC Rules and R&TTE Directive 1999/5/EC. These limits are designed to provide reasonable protection against harmful interference in a residential installation. This equipment generates, uses and can radiate radio frequency energy and, if not installed and used in accordance with the instructions, may cause harmful interference to the radio communications. However, there is no guarantee that interference will not occur in a particular installation. If this equipment does cause harmful interference to radio or television reception, which can be determined by turning the equipment off and on, the user is encouraged to try to correct the interference by one or more of the following measures:  
- Reorient or relocate the receiving antenna.  
- Increase the separation between the equipment and receiver.  
- Connect the equipment into an outlet on a circuit different from that to which the receiver is needed.  
- Consult the dealer or an experienced radio/TV technician for help.

**THIS PRODUCT IS FOR THE USE IN U.K. SPAIN, GERMANY, FRANCE, BELGIUM, ITALY, SWITZERLAND, THE NETHERLANDS, DENMARK, U.S., CANADA AND PORTUGAL.**



English  
#9456/9457/9485/9344/9356/9376/  
9462/9463/9409/9396/9404/9403  
©ZAPTOYS 2004  
MADE IN CHINA  
Printed in China

The applicant declared that this user manual is of models 9456/9457/9485/9344/9356/9376/9462/9463/9409/9396/9404/9403 which consist of the transmitter 9304S.