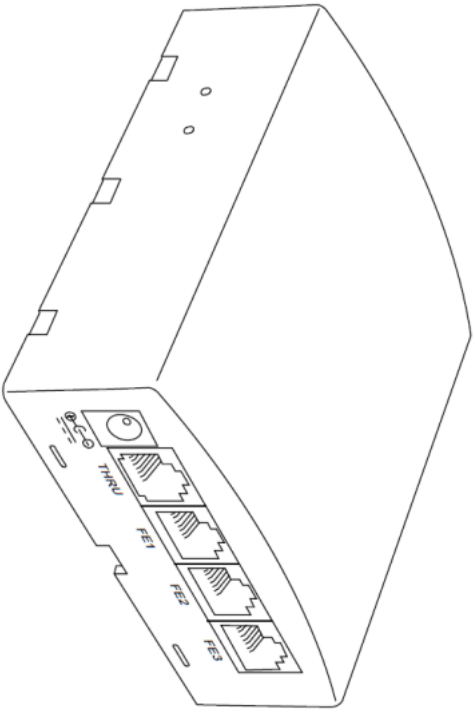


<http://www.motorolasolutions.com>

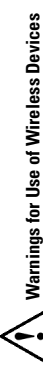
MOTOROLA SOLUTIONS, INC.
1303 E. ALGONQUIN ROAD
SCHLAUMBURG, IL 60196



AP-7502 11ac Wireless Wallplate Installation Guide

Regulatory Information

This device is approved under Motorola Solutions, Inc.
This guide applies to Model Number AP-7502.
All Motorola devices are designed to be compliant with rules and regulations in locations where they are sold and will be labeled as required.
Local language translations are available at the following website:
<http://www.motorolasolutions.com/support>



Warnings for Use of Wireless Devices

Potentially Hazardous Atmospheres - Fixed Installations

You are reminded of the need to observe restrictions on the use of radio devices in fuel depots, chemical plants etc. and areas where the air contains chemicals or particles (such as grain, dust, or metal powders).



Safety in Hospitals

Wireless devices transmit radio frequency energy and may affect medical electrical equipment. When installed adjacent to other equipment, it is advised to verify that the adjacent equipment is not adversely affected.

Pacemakers

Pacemaker manufacturers recommended that a minimum of 15cm (6 inches) be maintained between a handheld wireless device and a pacemaker to avoid potential interference with the pacemaker. These recommendations are consistent with independent research and recommendations by Wireless Technology Research.

Persons with Pacemakers:

- Should ALWAYS keep the device more than 15cm (6 inches) from their pacemaker when turned ON.
- Should not carry the device in a breast pocket.
- Should use the ear furthest from the pacemaker to minimize the potential for interference.
- If you have any reason to suspect that interference is taking place, turn OFF your device.

Other Medical Devices

Please consult your physician or the manufacturer of the medical device, to determine if the operation of your wireless product may interfere with the medical device.



Operation of the device without regulatory approval is illegal.

Country Selection

Select only the country in which you are using the device. Any other selection will make the operation of this device illegal. Some Access Points are specifically designed to operate in certain countries (Example: -US for the United States, -EU for the European Union).

Frequency of Operation - FCC and IC

Industry Canada Statement

Caution: The device for the band 5150-5250 MHz is only for indoor usage to reduce potential for harmful interference to co-channel mobile satellite systems. High power radars are allocated as primary users in meaning they have priority of 5250-5350 MHz and 5650-5850 MHz, and these radars could cause interference and/or damage to LE-LAN devices.

Avertissement: Le dispositif fonctionnant dans la bande 5150-5250 MHz est réservé uniquement pour une utilisation à l'intérieur afin de réduire les risques de brouillage préjudiciable aux systèmes de satellites mobiles utilisant les mêmes canaux.

- This equipment should only be installed by qualified professional installers.
- Read all installation instructions and site survey reports, and verify correct equipment installation before installing this equipment.
- Remove jewelry and watches before installing this equipment.
- Verify proper wiring and grounding for each installation location.
- Verify there is adequate ventilation around the device, and that ambient temperatures meet equipment operation specifications (0° to 40° Celsius / 32° to 104° Fahrenheit).

Warnings



WARNING! Indicates a condition or procedure that could result in personal injury or equipment damage.



CAUTION Care is required. Disregarding a caution can result in data loss or equipment malfunction.



NOTE Tips, hints, or special requirements that you should take note of.

The following graphical alerts are used in this document to indicate notable situations:

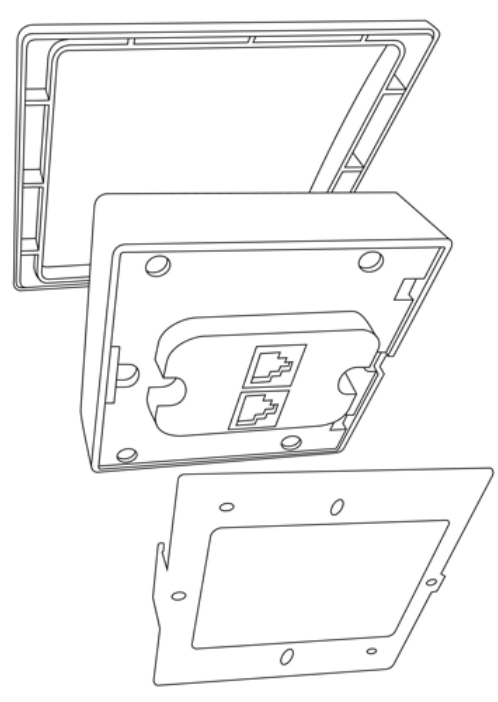
AP-7502 Wireless Wallplate Specifications

Wireless Interface	Dual Radio: 802.11a/b/g/n/ac 2.4 GHz and 5 GHz
WAN Interface	Auto-sensing 10/100/1000Mbps Full/Half Duplex, with PoE receiving capability via RJ-45
LAN Interfaces	3 x IEEE 802.3 10/100Mbps auto-sensing via RJ-45
PoE Out	One FE port with 802.3af output based on 802.3 at input
Medium	DSSS, OFDM, MCS, HT
Network Standards	802.11 a/b/g/n/ac, 802.11d, 802.11i, WPA, WMM
PHY Data Rates	802.11b: 1, 2, 5.5, 11 Mbps 802.11g/a: 6, 9, 12, 18, 24, 36, 48, 54 Mbps 802.11n: MCS 0-15 up to 300 Mbps 802.11ac: MCS 0-8 up to 867 Mbps
Operating Frequencies	802.11 operating frequencies: 2.4GHz @2400-2483.5 MHz, 5.2GHz @ 5150-5250 MHz and 5725-5850 MHz
Bluetooth LE	2400-2483.5 KHz in 2 MHz channels
Transmit Power	1dbm to 20dbm in 1dbm increments Actual transmit power is dependent upon national limits.
Antenna Configuration	2.4 GHz: 2 internal, 1x2, 2x2 MIMO, 5.8dBi peak gain 5 GHz: 2 internal, 1x2, 2x2, MIMO, 7.3dBi peak gain
Management	telnet, SSH, HTTP, HTTPS, SNMPv2/v3

Installing the AP-7502 Wallplate

The AP-7502 wallplate can be installed over an existing structured wiring wallplate. When installing the wallplate over an existing 70mm X 115mm wallplate as is commonly found in North America, South America and Japan, install the decor facade (optional) only after the AP-7502 has been installed.

1. Remove the existing wallplate.
2. Install the wallplate mounting bracket.



3. Attach the bottom of the wallplate to the mounting bracket and rotate the wallplate until it snaps onto the latch.
4. Install the security screw provided (optional).
5. If desired, install the decor facade.

Basic AP-7502 Configuration

To provide the Access Point with a basic configuration and access WING management functions, open a browser and enter the IP address printed on the serial label on the Access Point: https://IP_address_of_Access_Point

Login to the system using the default username **admin** and password **motorola**

1. On the **Configuration -> Basic Settings** screen, enter the **AP Name** and **Country Name**.

AP Name: * ap7502-4C394A
Country Name: * United States-us
Virtual Controller: []
Timezone: Etc/UTC
Date & Time: 01/03/2014 5:37 AM PM
NTP Server: []

2. On the **Configuration -> Wireless** screen, enter the desired **Name**, **SSID**, **Security**, and **WPA2 Key** parameters.

Name: * WLAN01
Enable: [x]
SSID: * SWIFT
Security: Secure-PSK
WPA2 Key: * [] Show [x] ASCII [] HEX
Band: [x] 2.4 GHz [x] 5 GHz
VLAN: * 1 (1 - 4094)
Description: Secure WLAN Interface

Additional WING configuration documentation is available at:
<https://portal.motorolasolutions.com/Support/US-EN>



RF Exposure Guidelines

Safety Information

Reducing RF Exposure - Use Properly

Only operate this device in accordance with the instructions supplied.

International

The device complies with internationally recognized standards covering human exposure to electromagnetic fields from radio devices. For information on "International" human exposure to electromagnetic fields refer to the Motorola Declaration of Conformity (DoC) at <http://www.motorolasolutions.com/doc>.

For further information on the safety of RF energy from wireless devices - see

<http://responsibility.motorolasolutions.com/index.php/downloads/>

Europe

Remote and Standalone Antenna Configurations

To comply with EU RF exposure requirements, antennas that are mounted externally at remote locations or operating near users at stand-alone desktop or similar configurations must operate with a minimum separation distance of 20cm from all persons.

US and Canada

Co-located Statement

To satisfy US and Canadian RF exposure requirements, a transmitting device must operate with a minimum separation distance of 20cm or more from a person’s body.

Pour satisfaire aux exigences Américaines et Canadiennes d'exposition aux radiofréquences, un dispositif de transmission doit fonctionner avec une distance de séparation minimale de 20cm ou plus de corps d'une personne.

Radiation Exposure Statement

This equipment complies with IC radiation exposure limits set forth for an uncontrolled environment. This equipment should be installed and operated with minimum distance 20m between the radiator and your body.

NOTE: IMPORTANT: (Pour l'utilisation de dispositifs mobiles)

Déclaration d'exposition aux radiations:

Cet équipement est conforme aux limites d'exposition aux rayonnements IC établies pour un environnement non contrôlé. Cet équipement doit être installé et utilisé avec un minimum de 20cm de distance entre la source de rayonnement et votre corps.

Remote and Standalone Antenna Configurations

To comply with FCC RF exposure requirements, antennas that are mounted externally at remote locations or operating near users at stand-alone desktop or similar configurations must operate with a minimum separation distance of 20cm from all persons.

Conformément à la réglementation d'Industrie Canada, le présent émetteur radio peut fonctionner avec une antenne d'un type et d'un gain maximal (ou inférieur) approuvé pour l'émetteur par Industrie Canada. Dans le but de réduire les risques de brouillage radioélectrique à l'intention des autres utilisateurs, il faut choisir le type d'antenne et son gain de sorte que la puissance isotrope rayonnée équivalente (p.i.r.e.) ne dépasse pas l'intensité nécessaire à l'établissement d'une communication satisfaisante.

This radio transmitter (IC: 109AN-AP7502 has been approved by Industry Canada to operate with the antenna types listed below and having a maximum gain allowable and the impedance required for each type of antenna. The antenna types not included in this list, or whose gain is higher than the maximum gain indicated, are strictly prohibited for the operation of the transmitter.

Frequency	Type	Maximum Gain	Ohms
2.4G-1	PCB-Dipole	5.81 dBi	50
2.4G-2	PCB-Dipole	4.52 dBi	50
5G-3	PCB-Dipole	7.22 dBi	50
5G-4	PCB-Dipole	7.30 dBi	50
BT 2.4G-5	PCB-Dipole	4.74 dBi	50

Le présent émetteur radio identifier le dispositif par son numéro de certification ou son numéro de modèle s'il fait partie du matériel de catégorie II (a été approuvé par Industrie Canada pour fonctionner avec les types d'antenne énumérés ci-dessous et ayant un gain admissible maximal et l'impédance requise pour chaque type d'antenne. Les types d'antenne non inclus dans cette liste ou dont le gain est supérieur au gain maximal indiqué, sont strictement interdits pour l'exploitation de l'émetteur.

CE Marking and European Economic Area (EEA)

Class B ITE

The use of 2.4GHz RLAN’s, for use through the EEA, have the following restrictions:

- Maximum radiated transmit power of 100 mW EIRP in the frequency range 2,400 -2,4835 GHz.
- Italy requires a user license for outside usage.

Bluetooth® Wireless Technology for use through the EEA has the following restrictions:

- Maximum radiated transmit power of 100 mW EIRP in the frequency range 2,400 -2,4835 GHz.

Statement of Compliance for Wireless Devices

Motorola hereby declares that this device is in compliance with the essential requirements and other relevant provisions of Directive 1999/5/EC and 2011/65/EU. A Declaration of Conformity may be obtained from: <http://www.motorolasolutions.com/doc>

Magyar: Az EU-ban vásárolóknak: Minden tömkelement terméket a Motorola vállalatához kell eljuttatni újrahaznosítás céljából.. A termék visszajuttatásának módjával kapcsolatban tudnivalóként látogasson el a <http://www.motorola.com/recycling/weee> weboldalra.

Svenska: För kunder inom EU: Alla produkter som uppnår sin livslängd måste returneras till Motorola för återvinning. Information om hur du returnerar produkten finns på <http://www.motorola.com/recycling/weee>.

Suomi: Asiakkait Euroopan unionin alueella: Kaikki tuotteet on palautettava kiertänytään täällä Motorola-yhtiöön, kun tuotetta ei enää käytetä. Lisätietoja tuotteen palauttamisesta on osoitteessa <http://www.motorola.com/recycling/weee>.

Dansk: Til kunder i EU: Alle produkter skal returneres til Motorola til recykulering, når de er udtjnt. Læs oplysningerne om returnering af produktet på: <http://www.motorola.com/recycling/weee>.

Ελληνικά: Για πελάτες στην Ε.Ε.: Όλα τα προϊόντα, στο τέλος της διάρκειας ζωής τους, πρέπει να επιστρέφονται στην Motorola για ανακύκλωση. Για περισσότερές πληροφορίες σχετικά με τη επιστροφή ενός προϊόντος, επισκεφθείτε τη διεύθυνση <http://www.motorola.com/recycling/weee> στο Διαδίκτυο.

Malai: Ghal klienti fil-UE: il-prodotti kollha li jkun waslu fl-ahhar tal-hajja ta l-uzu tagħhom, iridu jiġu ritornati għand Motorola għar-riciklaġġ. Għal aktar taġrif dwar kif għandek trirritorna il-prodotti, jekk jogħġbok zur: <http://www.motorola.com/recycling/weee>.

Româncë: Pentru clienții din UE: Toate produsele la sfârșitul duratei lor de funcționare trebuie returnate la Motorola pentru reciclare. Pentru informații despre returnarea produsului, accesați: <http://www.motorola.com/recycling/weee>.

Slovenski: Za kupce v EU: vsi izdelki se morajo po potrebi življenjske dobe vrniti podjetju Motorola za reciklažo. Za informacije o vračilu izdelka obiščite: <http://www.motorola.com/recycling/weee>.

Slovenščina: Pre zakupnikov z krajini EU: Vseky výrobky musia byť po uplynutí doby ich životnosti vrátené spoločnosti Motorola na recykláciu. Blízšie informácie o vrátení výrobkov nájdete na: <http://www.motorola.com/recycling/weee>.

Lietuvių: ES vartotojams: visi gaminiai, pasibaigus jų eksploatacijos laikui, turi būti gražinti užtikinti į kompaniją „Motorola“. Daugiau informacijos, kaip gražinti gaminį, rasite: <http://www.motorola.com/recycling/weee>.

Latviešu: ES klientiem: visi produkti pēc to kalpošanas mūža beigām ir jānogādā atpakaļ Motorola otrreizējai pārstrādei. Lai iegūtu informāciju par produktu nogādāšanu Motorola, lūdz, skatiet: <http://www.motorola.com/recycling/weee>.

Türkçe: AB Müşterileri için: Kullanım süresi dolan tüm ürünler geri dönüşürme için Motorola'ya ıade edilmelidir. Ürünlerin nasıl ıade edileceği hakkında bilgi için lütfen şu adresi ziyaret edin: <http://www.motorola.com/recycling/weee>.

Turkish WEEE Statement of Compliance

EEE Yönetmeliğine Uygundur

(11)

Korea Warning Statement for Class B ITE

기종별 무선기기 (가정용 무선통신기자재)	사용제한내역 이 기기는 가정용(가급) 전자기파적합기로서 주로 가정에서 사용할 수 하며, 모든 지역에서 사용할 수 있습니다.
------------------------------	---

Chinese Warning Statement for Class A ITE

Other Countries

Australia

Use of 5 GHz RLAN’s in Australia is restricted in the following band 5.50 - 5.85GHz.

Brazil

Declaracoes Regulamentares - Brazil

Nota: A marca de certificação se aplica ao Transceptor, model AP-7502. Este equipamento opera em caráter secundário, isto é, não tem direito a proteção contra interferência prejudicial, mesmo de estações do mesmo tipo, e não pode causar interferência a sistemas operando em caráter primário.

Para maiores informações sobre ANATEL consulte o site: www.anatel.gov.br

Este equipamento opera em caráter secundário, isto é, não tem direito a proteção contra interferência prejudicial, mesmo de estações do mesmo tipo, e não pode causar interferência a sistemas operando em caráter primário.

Este produto está homologado pela Anatel, de acordo com os procedimentos regulamentados pela Resolução nº 242/2000 e atende aos requisitos técnicos aplicados, incluindo os limites de exposição da Taxa de Absorção Específica referente a campos elétricos, magnéticos e eletromagnéticos de radiofrequência, de acordo com as Resoluções nº 303/2002 e 533/2009.

Este dispositivo está em conformidade com as diretrizes de exposição à radiofrequência quando posicionado pelo menos 20 centímetros de distância do corpo. Para maiores informações, consulte o site da Anatel.

Chile

Este equipo cumple con la Resolución No 403 de 2008, de la Subsecretaría de telecomunicaciones, relativa a radiaciones electromagnéticas.

China

通过访问以下网址可下载当地语言支持的产品说明书

http://www.motorolasolutions.com/CN/ZH/Pages/Contact_Us#support_lab

合格证： Quality Certificate



(12)

Hong Kong

In accordance with HKTA1039, the band 5.15GHz - 5.35GHz is for indoor operation only/

Mexico

Restric. Frequency Range to: 2.450 - 2.4835 GHz.

La operación de este equipo está sujeta a las siguientes dos condiciones: (1) es posible que este equipo o dispositivo no cause interferencia perjudicial y (2) este equipo o dispositivo debe aceptar cualquier interferencia, incluyendo la que pueda causar su operación no deseada.

S. Korea

허용 무선출력은 운용 중 최대인 가산성이 있음

허용 무선출력은 최대출신 가능성이 있으므로 인명안전과 관련된 서비스는 할 수 없습니다

Ukraine

є вимогах технічного регламенту №1057, № 2008 на обмеження щодо використання деяких небезпечних речовин в електричних та електронних пристроях.

Thailand

เครื่องโทรคมนาคมและอุปกรณ์ที่มีคุณภาพสอดคล้องตามข้อกำหนดของ กททช.

AP-7502 RoHS Compliance

有害物質標識									
金屬零件 (Metal Parts)	鉛 (Pb)		汞 (Hg)		鎘 (Cd)		六價鉻 (Cr ^{VI})		
	0	0	0	0	0	0	0	0	0
RoHS 豁免									
電路板組件 (Circuit Modules)									
X	0	0	0	0	0	0	0	0	0
線纜及電纜組件 (Cables and Cable Assemblies)									
0	0	0	0	0	0	0	0	0	0
塑料和聚合物零件 (Plastic and Polymeric Parts)									
0	0	0	0	0	0	0	0	0	0
光學零件 (Optical Components)									
0	0	0	0	0	0	0	0	0	0
電池 (Batteries)									
0	0	0	0	0	0	0	0	0	0

O：表示該有害物質在該零件所有的原材料中的含量均在 SJ/T11363-2006 標準規定的限量要求以下。

X：表示該有害物質至少在某零件的某一均質材料中的含量超出 SJ/T11363-2006 標準規定的限量要求。

對新舊之日期所售產品，本表表示，公司保證該純純電子信息產品可能包含這些物質。注意：在舊產品中可能包含可能不全含有所有所列的部份。

(13)

Service Information

If you have a problem using the equipment, contact your facility's technical or systems support. If there is a problem with the equipment, they will contact the Motorola Solutions Global Customer Support center.

Contact information is available at:

<http://www.motorolasolutions.com/support>

When contacting Motorola Solutions support, please provide the following information:

- Serial number of the unit
- Model number or product name
- Software type and version number

Motorola Solutions responds to calls by e-mail, telephone, or fax within the time limits set forth in support agreements. If you purchased your product from a Motorola Solutions business partner, contact that business partner for support. Customer Support Web Sites

The Motorola Solutions Support Central Web site, located at: <http://www.motorolasolutions.com/support>.

provides information and online assistance including developer tools, software downloads, product manuals and online repair requests.

Manuals

<https://portal.motorolasolutions.com/Support/US-ENV/Wireless-Networks>.

General Information

Obtain additional information by contacting Motorola Solutions at:

Telephone (North America): 1-800-722-6234 (14)