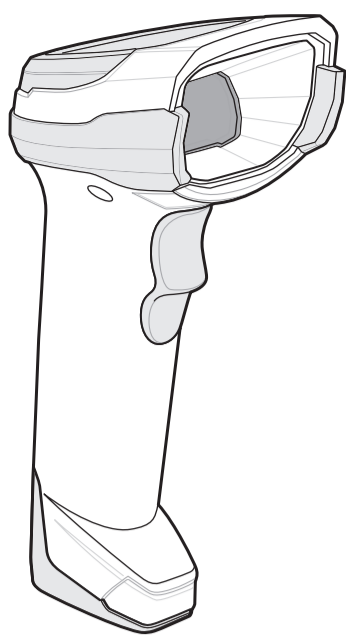


DS8178 DIGITAL SCANNER

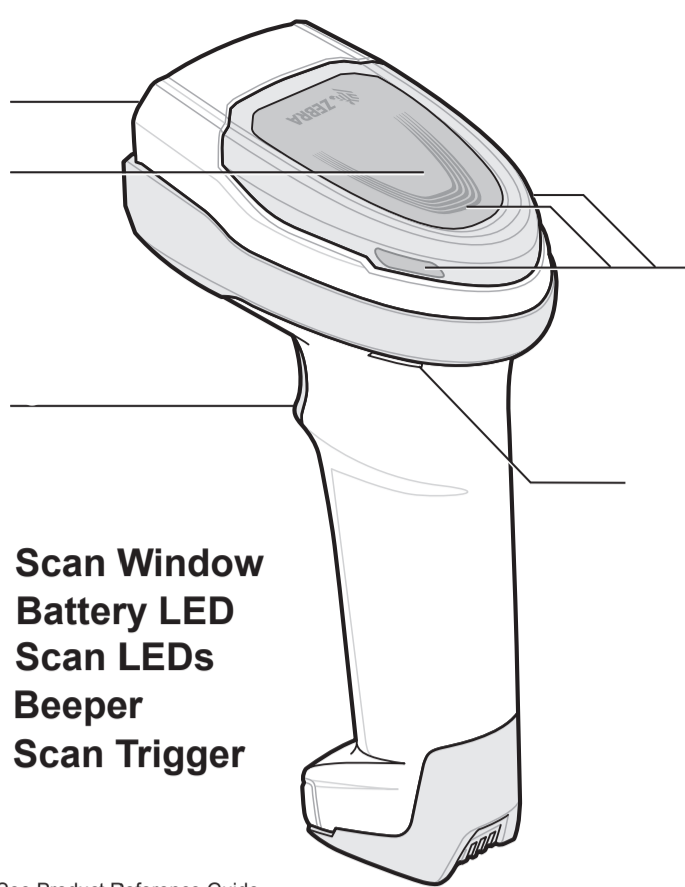
<http://www.zebra.com/DS8178>



Digital Scanner
Quick Start Guide

DIGITAL SCANNER FEATURES

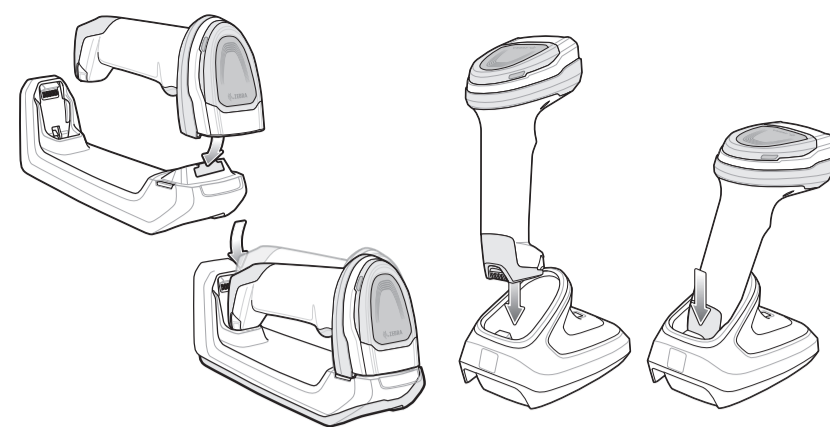
Note: Standard range digital scanner pictured.



- Scan Window
- Battery LED
- Scan LEDs
- Beeper
- Scan Trigger

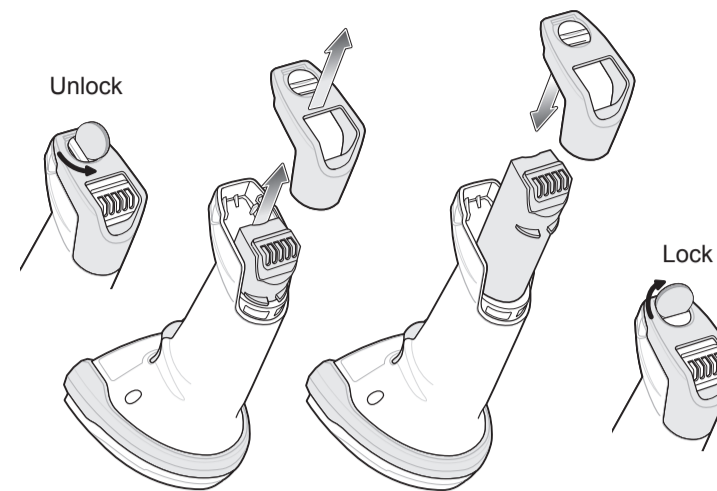
See Product Reference Guide for detailed information

CRADLE INSERTION

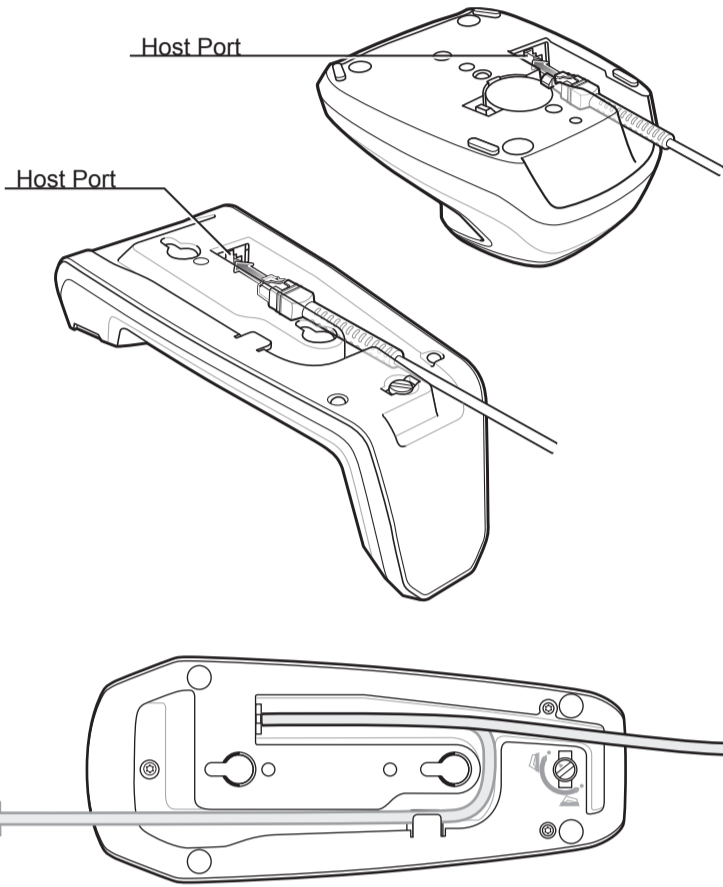


BATTERY INSERTION/REMOVAL

Note: It is recommended to fully charge the battery before use.



CRADLE CABLE CONNECTION



SET DEFAULTS / ENTER KEY BAR CODES



RETURN TO FACTORY DEFAULTS

ADD AN ENTER KEY (Carriage Return/Line Feed)

To add an Enter key after scanned data, scan the bar code below.



ADD AN ENTER KEY (CARRIAGE RETURN/LINE FEED)

NIGHT MODE WITH VIBRATE

Note: Healthcare configurations only.



ENABLE NIGHT MODE TRIGGER



DISABLE NIGHT MODE TRIGGER



TOGGLE NIGHT MODE

TAB KEY BAR CODE

ADD A TAB KEY

To add a Tab key after scanned data, scan the bar code below.



ADD A TAB KEY

USB CAPS LOCK OVERRIDE BAR CODE



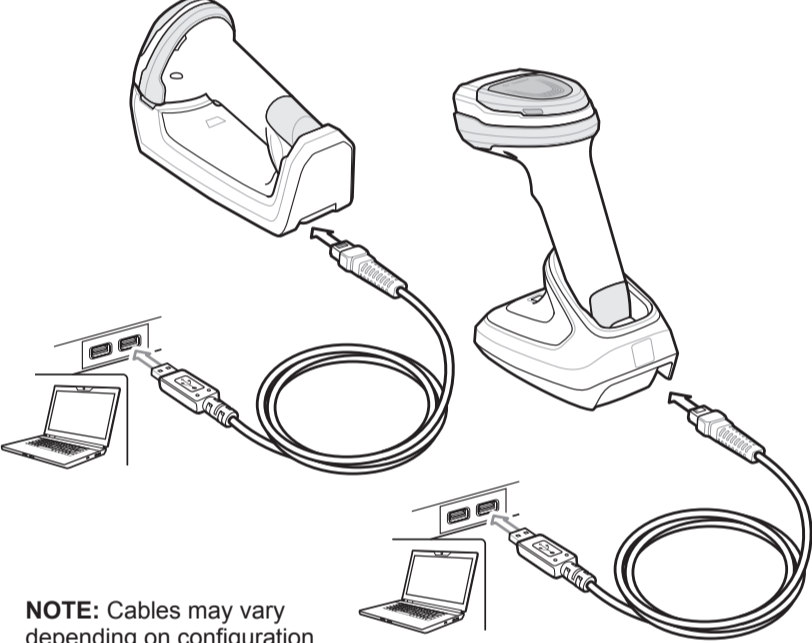
USB - OVERRIDE CAPS LOCK KEY (ENABLE)



*USB - DO NOT OVERRIDE CAPS LOCK KEY (DISABLE)

STEP 1 - CONNECT HOST INTERFACE

USB



NOTE: Cables may vary depending on configuration

STEP 2 - SET UP INTERFACE (Scan Host Bar Codes)

USB

Scan **ONE** of the bar codes below

The interface cable automatically detects the host interface type and uses the default setting. If the default (*) does not meet your requirements, scan another host bar code below.



*USB KEYBOARD (HID)



IBM HAND-HELD USB

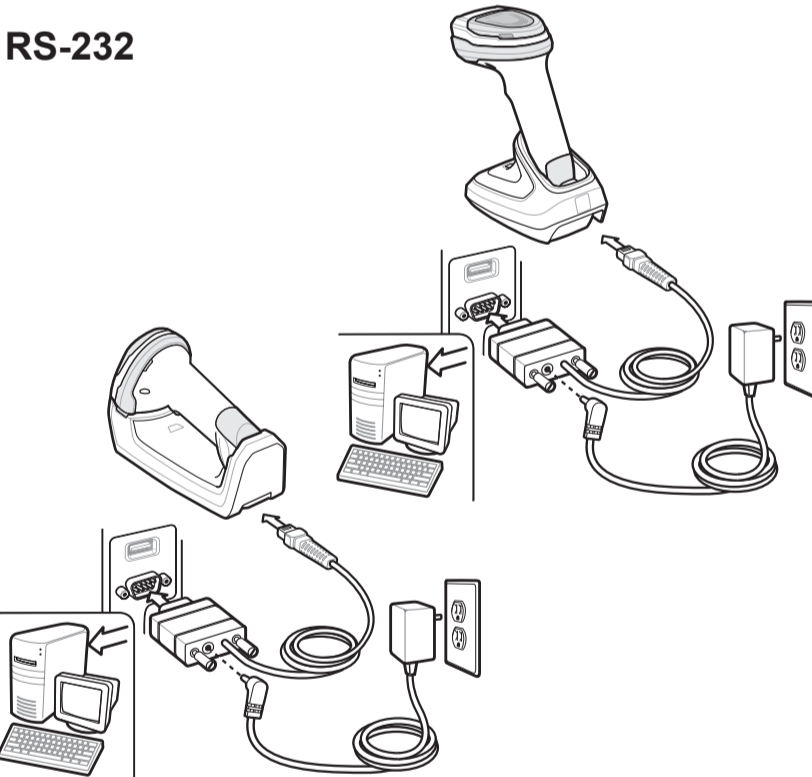


IBM OPOS (IBM HAND-HELD USB with FULL SCAN DISABLE)



SNAPI WITH IMAGING

RS-232



RS-232

Scan **ONE** of the bar codes below

The interface cable automatically detects the host interface type and uses the default setting. If the default (*) does not meet your requirements, scan another host bar code below.



*STANDARD RS-232



NIXDORF RS-232 MODE B



ICL RS-232



FUJITSU RS-232

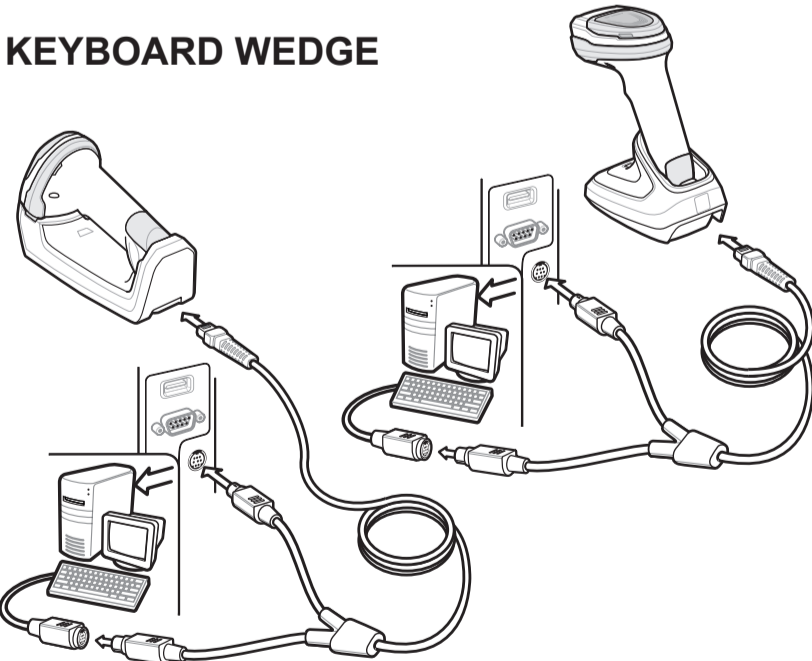


NIXDORF RS-232 MODE A



OPOS/JPOS

KEYBOARD WEDGE



Keyboard Wedge

Scan a bar code below

The Auto-Host Detect Cable feature automatically detects the host interface type and uses the default setting. If the default (*) does not meet your requirements, scan the IBM PC/AT and IBM PC COMPATIBLE bar code below.

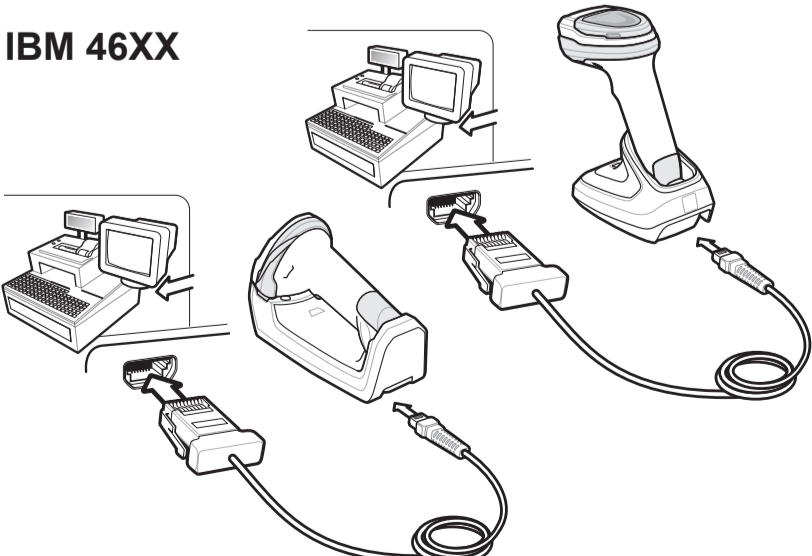


*IBM AT NOTEBOOK



IBM PC/AT and IBM PC COMPATIBLE

IBM 46XX



IBM 46XX

Scan **ONE** of the bar codes below

The Auto-Host Detect Cable feature automatically detects the host interface type, but there is no default setting. Scan one of the bar codes below to select the appropriate port.



NON-IBM SCANNER EMULATION (PORT 5B)



TABLE-TOP SCANNER EMULATION (PORT 17)



HAND-HELD SCANNER EMULATION (PORT 9B)

123Scan

ABOUT 123Scan

123Scan is an easy-to-use, PC-based software tool that enables rapid and easy customized setup of a scanner via a bar code or USB cable. For more information, visit: <http://www.zebra.com/123Scan>.

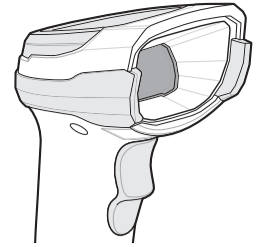
UTILITY FUNCTIONALITY

- Device configuration
- Electronic programming (USB cable)
- Programming bar code(s)
- Data view – scan log (display scanned bar code data)
- Access asset tracking information
- Upgrade firmware and view release notes
- Remote management (SMS package generation)

POST IN WORK AREA

DS8178 DIGITAL SCANNER

POST IN
WORK AREA

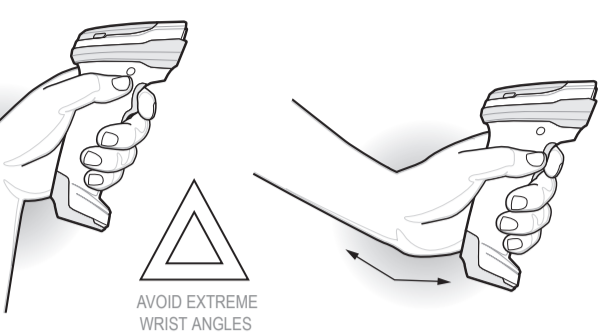


Aiming



RECOMMENDED USAGE GUIDE - OPTIMUM BODY POSTURE

Avoid Extreme Wrist Angles



Avoid Bending



Avoid Reaching



Health and Safety Recommendation

⚠ Ergonomic Recommendations

- Caution: In order to avoid or minimize the potential risk of ergonomic injury follow the recommendations below. Consult with your local Health & Safety Manager to ensure that you are adhering to your company's safety programs to prevent employee injury.
- Reduce or eliminate repetitive motion
 - Maintain a natural position
 - Reduce or eliminate excessive force
 - Reduce or eliminate vibration
 - Perform tasks at correct heights
 - Keep objects that are used frequently within easy reach
 - Reduce or eliminate direct pressure
 - Provide adjustable workstations
 - Provide adequate clearance
 - Provide a suitable working environment
 - Improve work procedures.

BEEPER INDICATIONS

999/5/EC and 2011/65/EU

| Indication | Beeper Sequence |
|---|--------------------------|
| Power up | Low/medium/high beeps |
| Bar code decoded | Medium beep |
| Transmission error detected; data is ignored | 4 long low beeps |
| Successful parameter setting | High/low/high/low beeps |
| Correct programming sequence performed | High/low beeps |
| Incorrect programming sequence, or Cancel bar code scanned | Long low/long high beeps |
| Low battery indication (on trigger release) | 4 short high beeps |

Battery Indications

| | |
|---------------------|---|
| Battery LED status | 51-100% Green, 21-50% Amber, 0-20% Red |
| Battery end of life | 51-100% Green/red alternating 21-50% Amber/red alternating 0-20% Red blinking |
| Paging state | Blue (fast, fast slow) |

Hand-Held Scanning

| Indication | LED Indicator |
|---|---------------|
| Digital scanner is on and ready to scan, or no power to scanner | Off |
| Bar code is successfully decoded | Green flash |
| Transmission error | Red |

Hands-Free (Presentation) Scanning

| | |
|----------------------------------|-----------------|
| No power to scanner | Off |
| Digital scanner is ready to scan | Green |
| Bar code is successfully decoded | Off Momentarily |
| Transmission error | Red |

Local Contact: _____

TROUBLESHOOTING

| Digital scanner not working | |
|--|---|
| No power to scanner | Check system power; ensure battery is charged. |
| Digital scanner is disabled | Ensure that correct host interface cable is used. |
| Digital scanner decoding bar code, but data not transmitting to host | |
| Host interface not configured properly | Scan appropriate host parameter bar codes. |
| Interface cable is loose | Ensure all cable connections are secure. |
| Invalid ADF Rule | Program the correct ADF rules. |
| Digital scanner not paired to cradle | Scan cradle pairing bar code. |

Digital scanner not decoding bar code

| | |
|--|---|
| Digital scanner not programmed for bar code type | Ensure scanner is programmed to read type of bar code being scanned. |
| Bar code unreadable | Ensure bar code is not defaced; try scanning test bar code of same bar code type. |
| Distance between scanner and bar code incorrect | Move scanner closer to, or further from bar code. |

Scanned data incorrectly displayed on host

| | |
|--|--|
| Host interface not configured properly | Scan appropriate host parameter bar codes. |
| Region improperly configured | Select appropriate country and language encoding scheme. |

REGULATORY INFORMATION

Regulatory Information

For devices with Symbol, or Symbol Technologies Inc., etc. on Manufacturing Label and for devices manufactured at Reynosa, or any other Zebra factory facilities:

This device is approved under Zebra Technologies Corporation.

This guide applies to Model Number: DS8178. All Zebra devices are designed to be compliant with rules and regulations in locations they are sold and will be labeled as required.

Local language translations are available at the following website: <http://www.zebra.com/support>.

Any changes or modifications to Zebra equipment, not expressly approved by Zebra, could void the user's authority to operate the equipment.



Caution:

Only use Zebra approved and UL listed accessories, battery packs, and battery chargers. Do NOT attempt to charge damp/wet mobile computers or batteries. All components must be dry before connecting to an external power source.

Declared maximum operating temperature: 50°C

Bluetooth® Wireless Technology

This is an approved Bluetooth® product. For more information or to view the End Product Listing, visit <https://www.bluetooth.org/pagelistings.cfm>.

Wireless Device Country Approvals

Note: this section is only applicable to WW/WRE/UE configurations.

Regulatory markings, subject to certification, are applied to the device signifying the radio(s) is/are approved for use in the following countries: United States, Canada, Japan, China, South Korea, Australia, and Europe.

Please refer to the Declaration of Conformity (DoC) for details of other country markings. This is available at <http://www.zebra.com/doc>.

Note: Europe includes, Austria, Belgium, Bulgaria, Czech Republic, Cyprus, Denmark, Estonia, Finland, France, Germany, Greece, Hungary, Iceland, Ireland, Italy, Latvia, Liechtenstein, Lithuania, Luxembourg, Malta, Netherlands, Norway, Poland, Portugal, Romania, Slovak Republic, Slovenia, Spain, Sweden, Switzerland and the United Kingdom



Caution: Operation of the device without regulatory approval is illegal.

Warnings for Use of Wireless Devices



Caution: Please observe all warning notices with regard to the usage of wireless devices.



Safety in Hospitals

Wireless devices transmit radio frequency energy and may affect medical electrical equipment. Wireless devices should be switched off wherever you are requested to do so in hospitals, clinics or health care facilities. These requests are designed to prevent possible interference with sensitive medical equipment.

Pacemakers

Pacemaker manufacturers recommended that a minimum of 15cm (6 inches) be maintained between a handheld wireless device and a pacemaker to avoid potential interference with the pacemaker. These recommendations are consistent with independent research and recommendations by Wireless Technology Research.

Persons with Pacemakers:

- Should ALWAYS keep the device more than 15cm (6 inches) from their pacemaker when turned ON.
- Should not carry the device in a breast pocket.
- Should use the ear furthest from the pacemaker to minimize the potential for interference.
- If you have any reason to suspect that interference is taking place, turn OFF your device.

Other Medical Devices

Please consult your physician or the manufacturer of the medical device, to determine if the operation of your wireless product may interfere with the medical device.

RF Exposure Guidelines

Safety Information

• Reducing RF Exposure – Use Properly

- Only operate the device in accordance with the instructions supplied.
- **Internal**
 - The device complies with internationally recognized standards covering human exposure to electromagnetic fields from radio devices. For information on "International" human exposure to electromagnetic fields refer to the Zebra Declaration of Conformity (DoC) at <http://www.zebra.com/doc>.
 - For further information on the safety of RF energy from wireless devices, see <http://responsibility.zebra.com/index.php/downloads/>, which is located under **Wireless Communications and Health**.
- **Co-located Statement**
 - To comply with FCC RF exposure requirements, this device must be operated in the hand with a minimum separation distance of 0 cm or more from a person's body. Other operating configurations should be avoided.
- **US and Canada**
 - To comply with FCC RF exposure compliance requirement, the antenna used for this transmitter must not be co-located or operating in conjunction with any other transmitter/antenna except those already approve in this filing.
 - **Handheld Devices**
 - This device was tested for typical body worn or handheld operation. Use only Zebra tested and approved belt-clips, holsters, and similar accessories to ensure FCC Compliance. The use of third-party belt clips, holsters, and similar accessories may not comply with FCC RF exposure compliance requirements, and should be avoided.



Caution: To satisfy US and Canadian RF exposure requirements, a transmitting device must operate with a minimum separation distance of 0 cm or more from a person's body.

Pour satisfaire aux exigences Américaines et Canadiennes d'exposition aux radio fréquences, un dispositif de transmission doit fonctionner avec une distance de séparation minimale de 0 cm ou plus de corps d'une personne.

LED Devices

For LED devices which have been evaluated to IEC 62471 and comply with the Exempt Risk Group, no product labeling requirements apply. However, the following statement is required to comply with US and international regulations:

LED Compliance Statement:

Classified as "EXEMPT RISK GROUP" according to IEC 62471:2006 and EN 62471:2008. Pulse duration: Continuous mS.

Batteries

Taiwan - Recycling



「廢電池回收」

EPA (Environmental Protection Administration) requires dry battery producing or importing firms in accordance with Article 15 of the Waste Disposal Act are required to indicate the recycling marks on the batteries used in sales, giveaway or promotion. Contact a qualified Taiwanese recycler for proper battery disposal.

Battery Information



Caution: Risk of explosion if battery is replaced by an incorrect type. Dispose of batteries according to instructions.

Use only Zebra approved batteries. Accessories which have battery charging capability are approved for use with the following battery models: Part Number 82-176890-01 (3.6 Vdc, 3200 mAh).

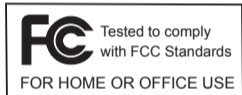
Zebra approved rechargeable battery packs are designed and constructed to the highest standards within the industry.

However, there are limitations to how long a battery can operate or be stored before needing replacement. Many factors affect the actual life cycle of a battery pack, such as heat, cool, harsh environmental conditions and severe drops.

When batteries are stored over six months, some irreversible deterioration in overall battery quality may occur. Store batteries at half of full charge in a dry, cool place, removed from the equipment to prevent loss of capacity, rusting of metallic parts and electrolyte leakage. When storing batteries for one year or longer, the charge level should be verified at least once a year and recharged to half of full charge. Replace the battery when a significant loss of run time is detected.

Standard warranty period for all Zebra batteries is 30 days, regardless if the battery was purchased separately or included as part of the mobile computer or bar code scanner. For more information on Zebra batteries, please visit: <http://www.zebra.com/batterys>.

Radio Frequency Interference Requirements - FCC



This device complies with FCC Standards.

Radio frequency energy and, if not installed and used in accordance with the instructions, may cause harmful interference to radio communications. However there is no guarantee that interference will not occur in a particular installation. If this equipment does cause harmful interference to radio or television reception, which can be determined by turning the equipment off and on, the user is encouraged to try to correct the interference by one or more of the following measures:

- Reorient or relocate the receiving antenna
- Increase the separation between the equipment and receiver
- Connect the equipment into an outlet on a circuit different from that to which the receiver is connected
- Consult the dealer or an experienced radio/TV technician for help.

Radio Transmitters (Part 15)

This device complies with Part 15 of the FCC Rules. Operation is subject to the following two conditions:

- (1) this device may not cause harmful interference, and
- (2) it must accept any interference received, including interference that may cause undesired operation.

Radio Frequency Interference Requirements - Canada

CAN ICES-3 (B)/NMB-3(B)

Radio Transmitters

This device complies with Industry Canada's license-exempt RSSs. Operation is subject to the following two conditions:

- (1) this device may not cause harmful interference and
- (2) this device must accept any interference, including interference that may cause undesired operation of the device.

Cet appareil est conforme exempts de licence le flux RSS de Industrie Canada. Son fonctionnement est soumis aux deux conditions suivantes:

- (1) le dispositif ne peut causer des interférences; et
- (2) cet appareil doit accepter tout interférence, y compris les interférences qui peuvent causer un mauvais fonctionnement de l'appareil.



Marking and European Economic Area (EEA)

Bluetooth® Wireless Technology for use through the EEA has the following restrictions:

- Maximum radiated transmit power of 100mW EIRP in the frequency range 2.400-2.4835 GHz.

Statement of Compliance

Zebra hereby declares that this device is in compliance with all the essential requirements and other relevant provisions of Directive 1999/5/EC and 2011/65/EU. A Declaration of Conformity may be obtained from <http://www.zebra.com/doc>.

Other Countries

Japan (VCCI) - Voluntary Control Council for Interference Class B ITE

この装置は、情報処理装置等電波障害自主規制協議会（VCCI）の基準に基づくクラスB情報技術装置です。この装置は、家庭環境で使用することを目的としていますが、この装置がラジオやテレビジョン受信機に近接して使用されると、受信障害を引き起こすことがあります。取扱説明書に従って正しい取り扱いをして下さい。

Korea Warning Statement for Class B ITE

| 기종별 | 사용자안내문 |
|-----------------------|--|
| B급 기기 (가정용 방송통신기기) | 이 기기는 가정용(B급)으로 전자파적합등록을 한 기기로서 주로 가정에서 사용하는 것을 목적으로 하며, 모든 지역에서 사용할 수 있습니다. |

Brazil (UNWANTED EMISSIONS - ALL PRODUCTS)

Regulatory declarations for DS8178 - BRAZIL.
For more information consult the website www.anatel.gov.br
NOTA: A marca de certificação se aplica ao Equip. de Radiação Restrita, modelo DS8178. Este equipamento opera em caráter secundário, isto é, não tem direito a proteção contra interferência prejudicial, mesmo de estações do mesmo tipo, e não pode causar interferência a sistemas operando em caráter primário. Para maiores consultas sobre ANATEL, consulte o site: www.anatel.gov.br.

Chile

Este equipo cumple con la Resolución No 403 de 2008, de la Subsecretaría de telecomunicaciones, relativa a radiación electromagnética.

China

通过访问以下网址可下载当地语言支持的产品说明书
http://www.motorolasolutions.com/CN-ZHI/Pages/Contact_Us#support_tab



Ukraine

Дане обладнання відповідає вимогам технічного регламенту №1057, № 2008 на обмеження щодо використання деяких небезпечних речовин в електричних та електронних пристроях.

Taiwan

臺灣

低功率電波輻射性電機管理辦法
第十二條
經型式認證合格之低功率射頻電機，非經許可，公司、商號或使用者均不得擅自變更頻率、加大功率或變更原設計之特性及功能。

第十四條
低功率射頻電機之使用不得影響飛航安全及干擾合法通信；經發現有干擾現象時，應立即停用，並改善至無干擾時方得繼續使用。

前項合法通信，指依電信規定作業之無線電通信。

低功率射頻電機須忍受合法通信或工業、科學及醫療用電波輻射性電機設備之干擾。

S. Korea

For a radio equipment using 2400~2483.5MHz or 5725~5825MHz, the following expression should be displayed:

당해 무선설비는 운용 중 전파혼신 가능성이 있음
당해 무선설비는 전파혼신 가능성이 있으므로 민명안전과 관련된 서비스는 할 수 없습니다.

Thailand

เครื่องโทรคมนาคมและอุปกรณ์นี้ มีความสอดคล้องตามข้อกำหนดของ กทท.

Battery Safety Guidelines

The area in which the units are charged should be clear of debris and combustible materials or chemicals. Particular care should be taken where the device is charged in a non commercial environment.

- Follow battery usage, storage, and charging guidelines found in the user's guide.
- Improper battery usage may result in a fire, explosion, or other hazard.
- To charge the mobile device battery, the battery and charger temperatures must be between +32°F and +104°F (0°C and +40°C).

- Do not use incompatible batteries and chargers. Use of an incompatible battery or charger may present a risk of fire, explosion, leakage, or other hazard. If you have any questions about the compatibility of a battery or a charger, contact Zebra support.

- For devices that utilize a USB port as a charging source, the device shall only be connected to products that bear the USB-IF logo or have completed the USB-IF compliance program.
- Do not disassemble or open, crush, bend or deform, puncture, or shred.
- Severe impact from dropping any battery-operated device on a hard surface could cause the battery to overheat.

- Do not short circuit a battery or attempt to insert foreign objects into the battery, immerse or expose to water or other liquids, or expose to fire, explosion, or other hazard.
- Do not modify or manufacture, allow to insert foreign objects into the battery, immerse or expose to water or other liquids, or expose to fire, explosion, or other hazard.

- Do not leave or store the equipment in or near areas that might get very hot, such as in a parked vehicle or near a radiator or other heat source. Do not place battery into a microwave oven or dryer.
- Battery usage by children should be supervised.
- Please follow local regulations to promptly dispose of used re-chargeable batteries.

- Do not dispose of batteries in fire.
- Seek medical advice immediately if a battery has been swallowed.

- In the event of a battery leak, do not allow the liquid to come in contact with the skin or eyes. If contact has been made, wash the affected area with large amounts of water and seek medical advice.
- If you suspect damage to your equipment or battery, contact Zebra support to arrange for inspection.

ZEBRA

Zebra Technologies Corporation
Lincolnshire, IL U.S.A.
<http://www.zebra.com>

Zebra and the stylized Zebra head are trademarks of ZIH Corp., registered in many jurisdictions worldwide. All other trademarks are the property of their respective owners.

© 2016 Symbol Technologies Corporation, a subsidiary of
Zebra Technologies Corporation.
All rights reserved.



MN-002753-01 Revision A July 2016

DS8178 DIGITAL SCANNER