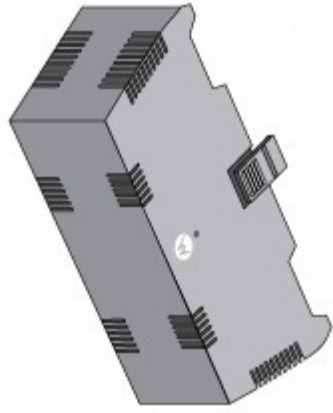


<http://www.motorolasolutions.com>

MOTOROLA SOLUTIONS INC.
1303 E. ALGONQUIN ROAD
SCHAUMBURG, IL 60196



Installation Guide

MOD-8132-6001S Internal Antenna Sensor Module

(1)



WARNING! Indicates a condition or procedure that could result in personal injury or equipment damage.



CAUTION Care is required. Disregarding a caution can result in data loss or equipment malfunction.



NOTE Tips, hints, or special requirements that you should take note of.

Introduction

The MOD-8132-6001S sensor module is a USB sensor extension to the AP-8132 model access point for use with the Motorola Solutions ADSP platform. It provides wireless security sensing mechanisms, allowing monitoring and reporting within the AP-8132's radio coverage area. The output of the sensor's detection mechanisms are reported within the ADSP system.

Document Conventions

The following graphical alerts are used in this document to indicate notable situations:

The MOD-8132-6001S sensor module is plenum rated.

(2)

Radio Technology

2x2 MIMO 802.11 a/b/g/n

Storage Temperature

-20° to 80° celsius / -4° to 176° Fahrenheit

Operating Temperature

0° to 50° celsius / 35° to 122° Fahrenheit

Weight

0.270 lb / 0.123 kg

Height

1.625 in / 4.127 cm

Width

6.0 in / 15.24 cm

Length

2.5 in / 6.3 cm

Specifications

• Verify the environment has a continuous temperature range between 0° C to 50° C.

• Motorola Solutions recommends you do not to install the MOD-8132-6001S in wet or dusty areas.

• AP-PSBIAS-2P3-ATR external power supply

- PWR5-14000-247R power injector

• You are using one of the correctly rated power solutions for the AP-8132 access point.

Before installing an MOD-8132-6001S sensor module, verify the following:

Precautions

• Read all installation instructions and site survey reports, and verify correct equipment installation before connecting the MOD-8132-6001S sensor module.

• Remove jewelry and watches before installing this equipment.

• Verify any device connected to this unit is properly wired and grounded.

• Verify there is adequate ventilation around the device, and that ambient temperatures meet equipment operation specifications.

Warnings

• Verify there is adequate ventilation around the device, and that ambient temperatures meet equipment operation specifications.

• Read all installation instructions and site survey reports, and verify correct equipment installation before connecting the MOD-8132-6001S sensor module.

• Remove jewelry and watches before installing this equipment.

• Verify any device connected to this unit is properly wired and grounded.

• Verify there is adequate ventilation around the device, and that ambient temperatures meet equipment operation specifications.

• Read all installation instructions and site survey reports, and verify correct equipment installation before connecting the MOD-8132-6001S sensor module.

• Remove jewelry and watches before installing this equipment.

• Verify any device connected to this unit is properly wired and grounded.

• Verify there is adequate ventilation around the device, and that ambient temperatures meet equipment operation specifications.

• Read all installation instructions and site survey reports, and verify correct equipment installation before connecting the MOD-8132-6001S sensor module.

• Remove jewelry and watches before installing this equipment.

• Verify any device connected to this unit is properly wired and grounded.

• Verify there is adequate ventilation around the device, and that ambient temperatures meet equipment operation specifications.

• Read all installation instructions and site survey reports, and verify correct equipment installation before connecting the MOD-8132-6001S sensor module.

• Remove jewelry and watches before installing this equipment.

• Verify any device connected to this unit is properly wired and grounded.

• Verify there is adequate ventilation around the device, and that ambient temperatures meet equipment operation specifications.

• Read all installation instructions and site survey reports, and verify correct equipment installation before connecting the MOD-8132-6001S sensor module.

• Remove jewelry and watches before installing this equipment.

• Verify any device connected to this unit is properly wired and grounded.

• Verify there is adequate ventilation around the device, and that ambient temperatures meet equipment operation specifications.

• Read all installation instructions and site survey reports, and verify correct equipment installation before connecting the MOD-8132-6001S sensor module.

• Remove jewelry and watches before installing this equipment.

• Verify any device connected to this unit is properly wired and grounded.

• Verify there is adequate ventilation around the device, and that ambient temperatures meet equipment operation specifications.

• Read all installation instructions and site survey reports, and verify correct equipment installation before connecting the MOD-8132-6001S sensor module.

• Remove jewelry and watches before installing this equipment.

• Verify any device connected to this unit is properly wired and grounded.

• Verify there is adequate ventilation around the device, and that ambient temperatures meet equipment operation specifications.

• Read all installation instructions and site survey reports, and verify correct equipment installation before connecting the MOD-8132-6001S sensor module.

• Remove jewelry and watches before installing this equipment.

• Verify any device connected to this unit is properly wired and grounded.

• Verify there is adequate ventilation around the device, and that ambient temperatures meet equipment operation specifications.

• Read all installation instructions and site survey reports, and verify correct equipment installation before connecting the MOD-8132-6001S sensor module.

• Remove jewelry and watches before installing this equipment.

• Verify any device connected to this unit is properly wired and grounded.

• Verify there is adequate ventilation around the device, and that ambient temperatures meet equipment operation specifications.

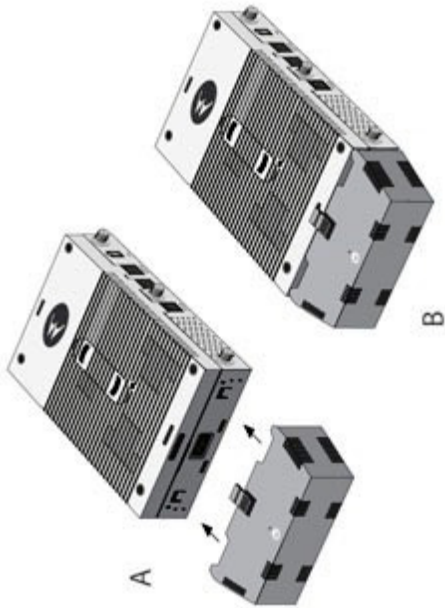
• Read all installation instructions and site survey reports, and verify correct equipment installation before connecting the MOD-8132-6001S sensor module.

• Remove jewelry and watches before installing this equipment.

• Verify any device connected to this unit is properly wired and grounded.

Installing the MOD-8132-6001S Internal Antenna Sensor Module

1. Align the tabs on the sensor module with the corresponding LEDs on the Access Point.
2. Securely attach the sensor module to the Access Point.



3. Confirm the sensor module is operational by observing its LEDs.

Regulatory Information

This device is approved under Motorola Solutions, Inc.

This guide applies to Model Number KHUS8600.

All Motorola devices are designed to be compliant with rules and regulations in locations where they are sold and will be labeled as required.

Local language translations are available at the following website:

<http://supportcentral.motorola.com>.

Health and Safety Recommendations

Warnings for Use of Wireless Devices

Please observe all warning notices with regard to the usage of wireless devices.

Potentially Hazardous Atmospheres - Fixed Installations

You are reminded of the need to observe restrictions on the use of radio devices in fuel depots, chemical plants etc. and areas where the air contains chemicals or particles (such as grain, dust, or metal powders).

Safety in Hospitals

Wireless devices transmit radio frequency energy and may affect medical electrical equipment. When installed adjacent to other equipment, it is advised to verify that the adjacent equipment is not adversely affected.

Pacemakers

Pacemaker manufacturers recommended that a minimum of 15cm (6 inches) be maintained between a handheld wireless device and a pacemaker to avoid potential interference with the pacemaker. These recommendations are consistent with independent research and recommendations by Wireless Technology Research.

Persons with Pacemakers:

- Should ALWAYS keep the device more than 15cm (6 inches) from their pacemaker when turned ON.
- Should not carry the device in a breast pocket.
- Should use the ear furthest from the pacemaker to minimize the potential for interference.
- If you have any reason to suspect that interference is taking place, turn OFF your device.

Other Medical Devices

Please consult your physician or the manufacturer of the medical device, to determine if the operation of your wireless product may interfere with the medical device.

RF Exposure Guidelines

Safety Information

Reducing RF Exposure - Use Properly

Only operate the device in accordance with the instructions supplied.

International

The device complies with internationally recognized standards covering human exposure to electromagnetic fields from radio devices. For information on "International" human exposure to electromagnetic fields refer to the Motorola/Symbol *Declaration of Conformity* (DoC) at <http://www.motorola.com/doc>.

US and Canada

Co-located statement

To comply with FCC RF exposure compliance requirement, the antenna used for this transmitter must not be co-located or operating in conjunction with any other transmitter/antenna except those already approved in this filing.

Radiation Exposure Statement

This equipment complies with IC radiation exposure limits set forth for an uncontrolled environment. This equipment should be installed and operated with minimum distance 30cm between the radiator and your body.

NOTE IMPORTANTE: (Pour l'utilisation de dispositifs mobiles)

Déclaration d'exposition aux radiations:

Cet équipement est conforme aux limites d'exposition aux rayonnements IC établies pour un environnement non contrôlé. Cet équipement doit être installé et utilisé avec un minimum de 30 cm de distance entre la source de rayonnement et votre corps.

(1)

(2)

(5)

(4)

(3)

(6)

Radio Frequency Interference Requirements - FCC



This equipment has been tested and found to comply with the limits for a Class B digital device, pursuant to Part 15 of the FCC rules. These limits are designed to provide reasonable protection against harmful interference in a residential installation. This equipment generates, uses and can radiate radio frequency energy and, if not installed and used in accordance with the instructions, may cause harmful interference to radio communications. However there is no guarantee that interference will not occur in a particular installation. If this equipment does cause harmful interference to radio or television reception, which can be determined by turning the equipment off and on, the user is encouraged to try to correct the interference by one or more of the following measures:

- Reorient or relocate the receiving antenna
- Increase the separation between the equipment and receiver
- Connect the equipment into an outlet on a circuit different from that to which the receiver is connected
- Consult the dealer or an experienced radio/TV technician for help.

Radio Transmitters (Part 15)

This device complies with Part 15 of the FCC Rules. Operation is subject to the following two conditions: (1) this device may not cause harmful interference, and (2) this device must accept any interference received, including interference that may cause undesired operation.

The use of 5 GHz WLAN's, for use in the US , have the following restrictions:

- Notched Band 5.60 - 5.65 GHz

Radio Frequency Interference Requirements - Canada

This Class B digital apparatus complies with Canadian ICES-003.

Cet appareil numérique de la classe B est conforme à la norme NMB-003 du Canada.

Radio Transmitters

For RLAN Devices:

The use of 5 GHz RLAN's, for use in Canada, have the following restrictions:

Ce dispositif est conforme à la norme CNR-210 d'Industrie Canada applicable aux appareils radio exempts de licence. Son fonctionnement est sujet aux deux conditions suivantes: (1) le dispositif ne doit pas produire de brouillage préjudiciable, et (2) ce dispositif doit accepter tout brouillage reçu, y compris un brouillage susceptible de provoquer un fonctionnement indésirable.

(7)

Label Marking: The Term "IC:" before the radio certification only signifies that Industry Canada technical specifications were met.

CE Marking and European Economic Area (EEA)

The use of 2.4GHz RLAN's, for use through the EEA, have the following restrictions:

- Maximum radiated transmit power of 100 mW EIRP in the frequency range 2.400 -2.4835 GHz.
- Italy requires a user license for outside usage.

Statement of Compliance

Motorola Solutions hereby declares that this device is in compliance with all the applicable Directives, 1999/5/EC. A Declaration of Conformity may be obtained from <http://www.motorola.com/doc>.

Japan (VCCI) - Voluntary Control Council for Interference

Class B,ITE

この装置は、情報処理技術者協会電波障害自主規制協議会（VCCI）の基準に基づくクラスB情報処理装置です。この装置は、家庭環境で使用することを目的としていますが、この装置がラジオやテレビジョン受信機に近接して使用されると、受信機障害を引き起こすことがあります。取扱説明書に従って正しい取扱いをお願いします。

Korea Warning Statement for Class B ITE

<div style="text-align: center;"> <p>기 용 별</p> <p>B급 기기</p> <p>이 기기는 가정용(반공)전자파의 한계치로서 국외 환경에 적합합니다.</p> <p>가정에서 사용하는 것을 목적으로 하며, 모든 지역에서 사용할 수 있습니다.</p> </div>	<div style="text-align: center;"> <p>사용자 안내 문</p> </div>
--	---

Other Countries

Australia

Use of 5GHz RLAN's in Australia is restricted in the following band 5.50 – 5.65GHz.

Brazil

Declarações Regulamentares para AP-8132 - Brasil

Nota: A marca de certificação se aplica ao Transceptor, modelo AP-8132. Este equipamento opera em caráter secundário, isto é, não tem direito a proteção contra interferência prejudicial, mesmo de estações do mesmo tipo, e não pode causar interferência a sistemas operando em caráter primário. Para maiores informações sobre ANATEL consulte o site: www.anatel.gov.br.

Chile

Este equipo cumple con la Resolución No 403 de 2008, de la Subsecretaría de telecomunicaciones, relativa a radiaciones electromagnéticas.

China



Taiwan

私設無線通訊器材設置管理辦法

第十二條

私設無線電台之私設無線電機，未經許可，不得，再設或使用者不得擅自變更頻道，或改變電壓調整狀況之特色及功率。

第十四條

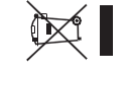
私設無線電機之使用不得影響飛航安全及干擾合法通信；經發現有干擾現象時，應立即停用，並改善至無干擾方可繼續使用；前項合法通信，指合法廣播或作業工業、科學及醫療用途等無線電機之干擾。

在 2.4-2.4.8 GHz 頻段內操作之無線電設備設備，限於室內使用。

Thailand

เครื่องโทรคมนาคมและอุปกรณ์นี้ มีความสอดคล้องตามข้อกำหนดของ กทท.

(9)



Waste Electrical and Electronic Equipment (WEEE)

English: For EU Customers: All products at the end of their life must be returned to Motorola for recycling. For information on how to return product, please go to: <http://www.motorola.com/recycling/weee>.

Français: Clients de l'Union Européenne: Tous les produits en fin de cycle de vie doivent être retournés à Motorola pour recyclage. Pour de plus amples informations sur le retour de produits, consultez : <http://www.motorola.com/recycling/weee>.

Español: Para clientes en la Unión Europea: todos los productos deberán entregarse a Motorola al final de su ciclo de vida para que sean reciclados. Si desea más información sobre cómo devolver un producto, visite: <http://www.motorola.com/recycling/weee>.

Bulgarian: За клиенти от ЕС: След края на ползвания им живот всички продукти трябва да се връщат на Motorola за рециклиране. За информация относно връщането на продукти, моля отидете на адрес: <http://www.motorola.com/recycling/weee>.

Deutsch: Für Kunden innerhalb der EU: Alle Produkte müssen am Ende ihrer Lebensdauer zum Recycling an Motorola zurückgesandt werden. Informationen zur Rücksendung von Produkten finden Sie unter <http://www.motorola.com/recycling/weee>.

Italiano: per i clienti dell'UE: tutti i prodotti che sono giunti al termine del rispettivo ciclo di vita devono essere restituiti a Motorola al fine di consentirne il riciclaggio. Per informazioni sulle modalità di restituzione, visitare il seguente sito Web: <http://www.motorola.com/recycling/weee>.

Português: Para clientes da UE: todos os produtos no fim de vida devem ser devolvidos à Motorola para reciclagem. Para obter informações sobre como devolver o produto, visite: <http://www.motorola.com/recycling/weee>.

Netherlands: Voor klanten in de EU: alle producten dienen aan het einde van hun levensduur naar Motorola te worden teruggezonden voor recycling. Raadpleeg <http://www.motorola.com/recycling/weee> voor meer informatie over het terugzenden van producten.

Polisi: Klienci z obszaru Unii Europejskiej: Produkty wycofane z eksploatacji należy zwrócić do firmy Motorola w celu ich utylizacji. Informacje na temat zwrotu produktów znajduj się na stronie internetowej <http://www.motorola.com/recycling/weee>.

Čeština: Pro zákazníky z EU: Všechny produkty je nutné po skončení jejich životnosti vrátit společnosti Motorola k recyklaci. Informace o způsobu vrátení produktu najdete na webové stránce: <http://www.motorola.com/recycling/weee>.

Eesti: EL Klientidele: kõik tooted tuleb nende eluea lõppedes tagastada taaskasutamise eesmärgil Motorola'ile. Lisainformatsiooni saamiseks toote tagastamise kohta külastage palun aadressi: <http://www.motorola.com/recycling/weee>.

Magyar: Az EU-ban vásárlóknak: Minden tönkrement termékét a Motorola vállalatához kell eljuttatni újrahasznosítás céljából. A termék visszajuttatásának módjával kapcsolatos tudnivalóért látogasson el a <http://www.motorola.com/recycling/weee> weboldalra.

Svenska: För kunder inom EU: Alla produkter som uppnått sin livslängd måste returneras till Motorola för återvinning. Information om hur du returnerar produkten finns på <http://www.motorola.com/recycling/weee>.

Suomi: Asiakkait Euroopan unionin alueella: Kaikki tuotteet on palautettava kierrätettäväksi Motorola-yhtiöön, kun tuotetta ei enää käytetä. Lisätietoja tuotteen palauttamisesta on osoitteessa <http://www.motorola.com/recycling/weee>.

Dansk: Til kunder i EU: Alle produkter skal returneres til Motorola til recirkulering, når de er udtjent. Læs oplysningerne om returnering af produkter på: <http://www.motorola.com/recycling/weee>.

Ελληνικά: Για πελάτες στην Ε.Ε.: Όλα τα προϊόντα, στο τέλος της διάρκειας ζωής τους, πρέπει να επιστρέφονται στην Motorola για ανακύκλωση. Για περισσότερές πληροφορίες σχετικά με την επιστροφή ενός προϊόντος, επισκεφθείτε τη διεύθυνση <http://www.motorola.com/recycling/weee> στο Διαδίκτυο.

Malri: Ghal klienti fi-UE: il-prodotti kollha li jkun waslu fi-ahhar tal-hajja ta' l-uzu tagħhom, jridu jigu ritornati għand għar-rikkliagg. Għal aktar taġrif dwar kif għandek tirritorna l-prodott, jekk jogħġbok zur: <http://www.motorola.com/recycling/weee>.

Românesc: Pentru clienții din UE: Toate produsele, la sfârșitul duratei lor de funcționare, trebuie returnate la Motorola pentru reciclare. Pentru informații despre returnarea produsului, accesați: <http://www.motorola.com/recycling/weee>.

(13)

Motorola Solutions Support Center

If you have a problem with your equipment, contact support for your region.

Contact information is available at: <http://motorolasolutions.com/support>.

When contacting Motorola Solutions support, please provide the following information:

- Serial number of the unit
- Model number or product name
- Software type and version number

Motorola Solutions responds to calls by e-mail, telephone, or fax within the time limits set forth in support agreements. If you purchased your product from a Motorola Solutions business partner, contact that business partner for support.

Customer Support Web Sites

The Motorola Solutions Support Central Web site, located at:

<http://supportcentral.motorola.com/>

provides information and online assistance including developer tools, software downloads, product manuals and online repair requests.

Manuals

<http://supportcentral.motorola.com/support/product/manuals.do>

General Information

Obtain additional information by contacting Motorola Solutions at:

Telephone (North America): 1-800-722-6234

Telephone (International): +1-631-738-5200

Website: <http://www.motorolasolutions.com>

(14)

(12)

(10)