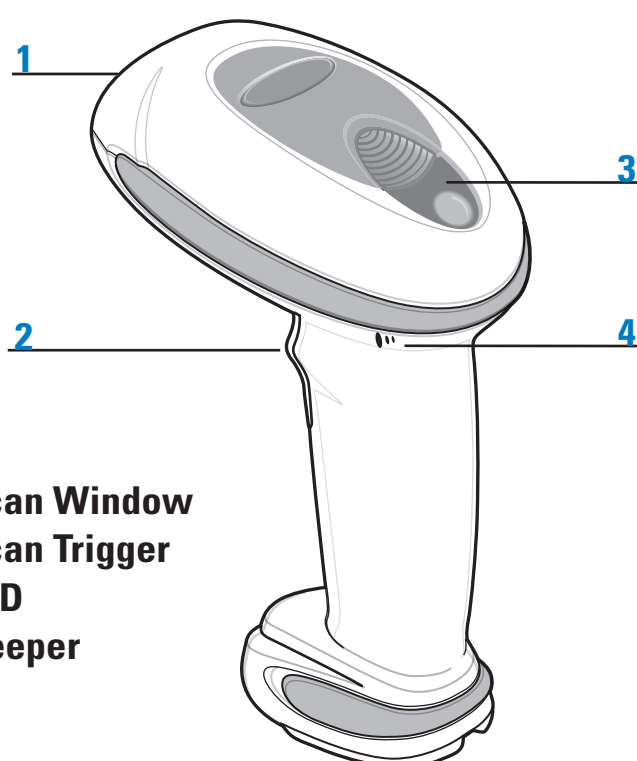
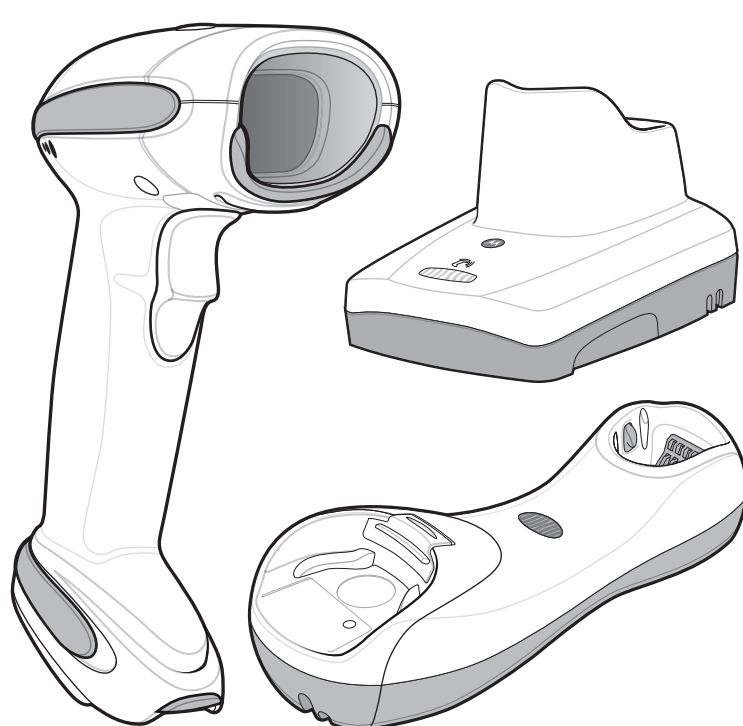


LI4278 LINEAR IMAGER QUICK START GUIDE

<http://www.motorola.com/li4278>

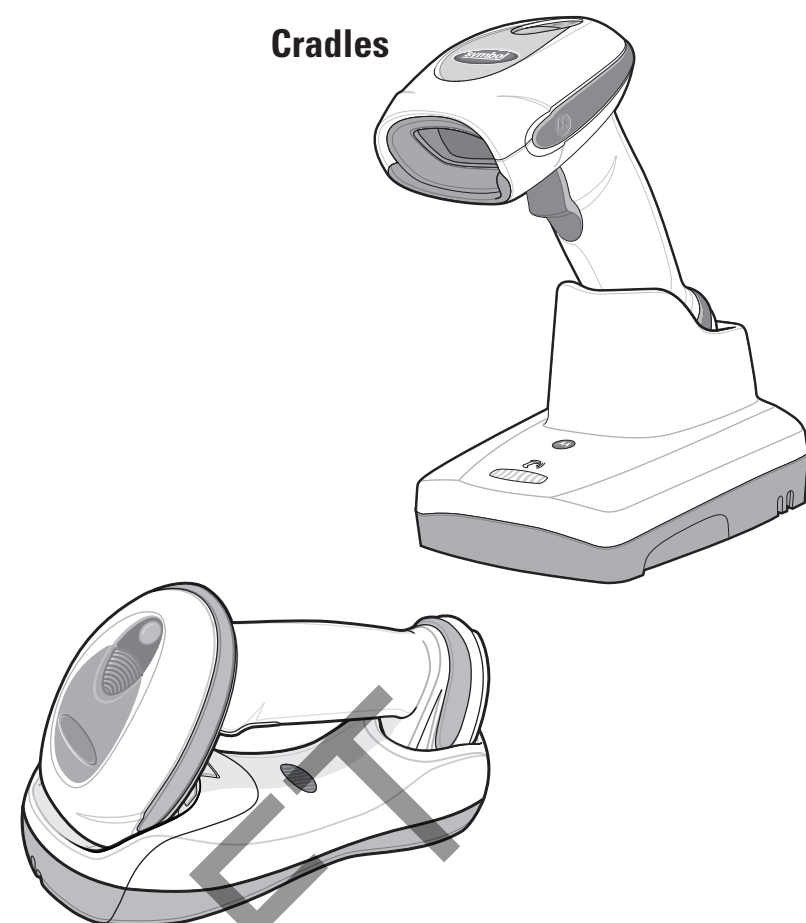
See Product Reference Guide for detailed information

POST IN WORK AREA



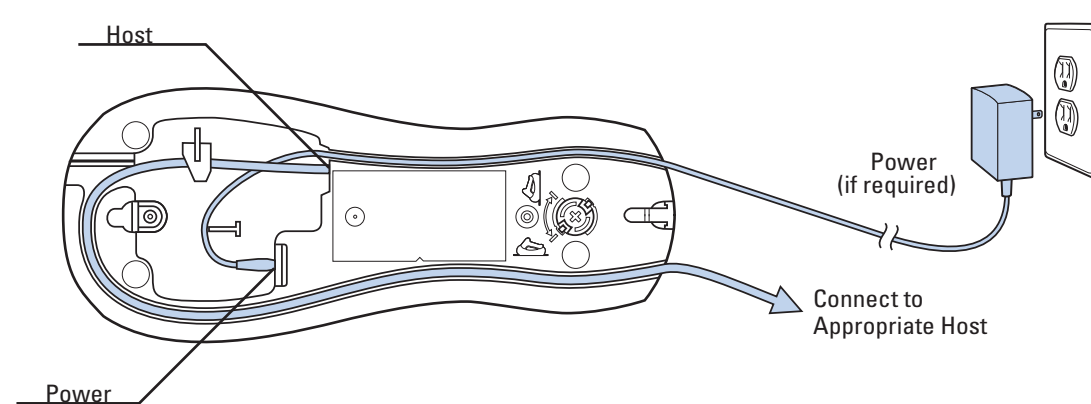
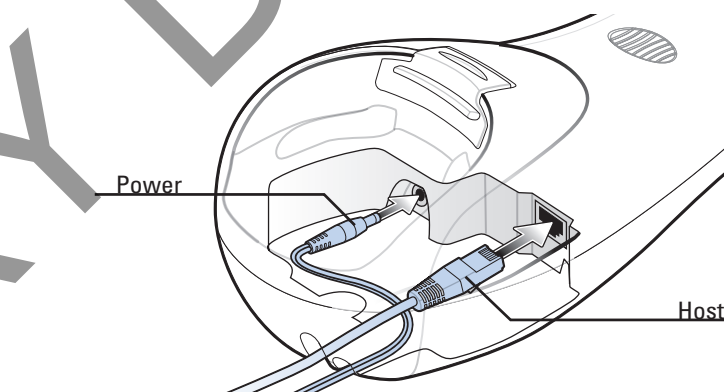
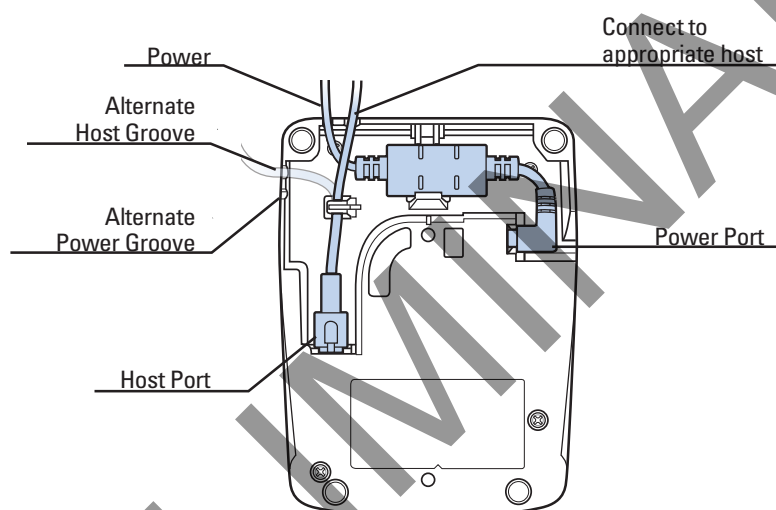
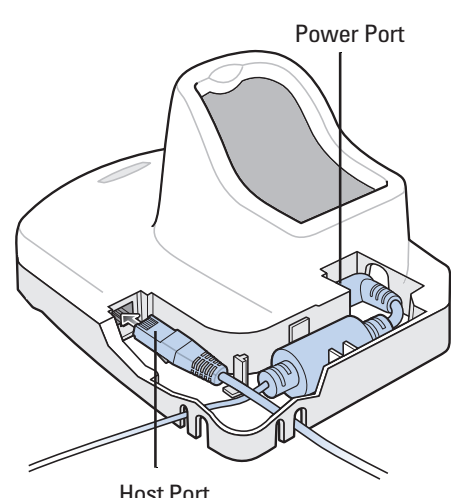
- 1 Scan Window
- 2 Scan Trigger
- 3 LED
- 4 Beeper

Cradles



Refer to the LI4278 Product Reference Guide, or the cradle Quick Reference Guides for detailed information about cradle setup. When charging, use the cradle power supply for faster charge time.

STEP 1 - CRADLE CABLE CONNECTION

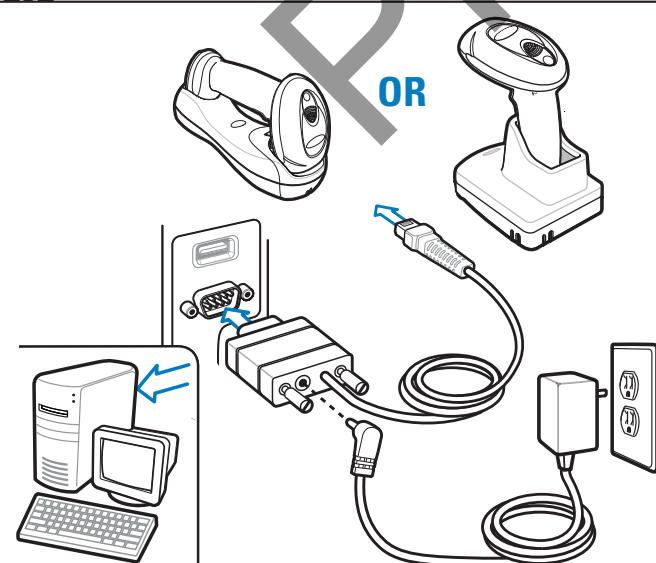


Important: Charge the linear imager scanner for 24 hours before the first full day of use.

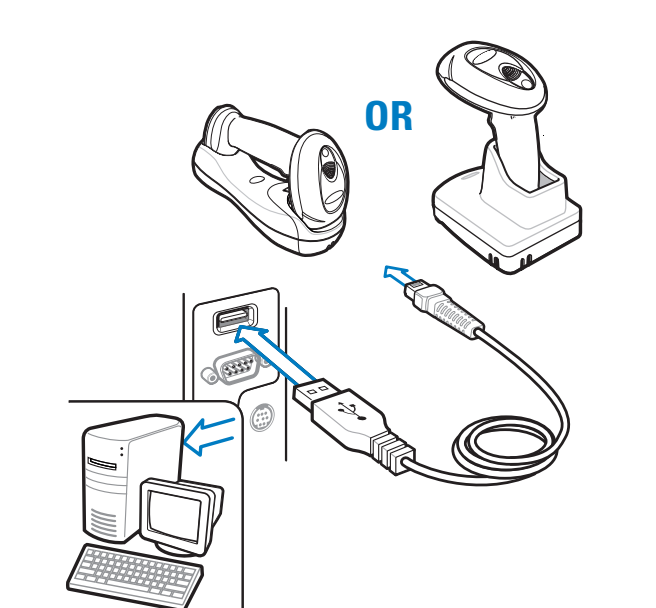
STEP 2 - CONNECT HOST INTERFACE

NOTE: Cables may vary depending on configuration

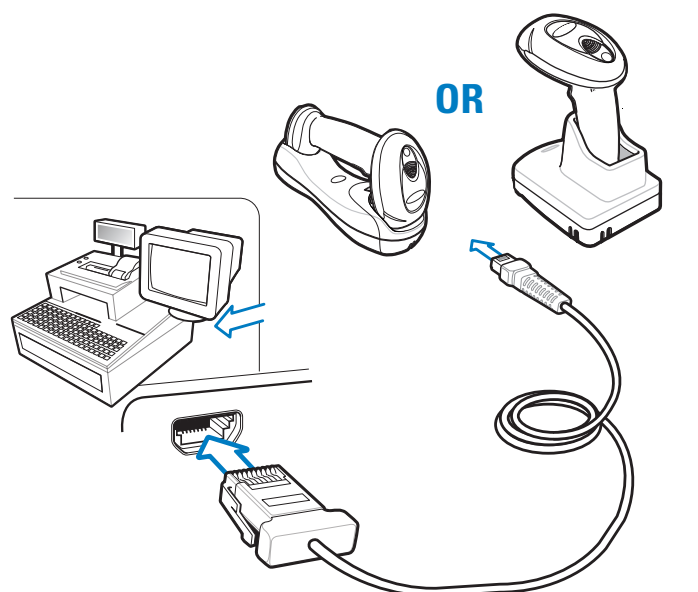
RS-232



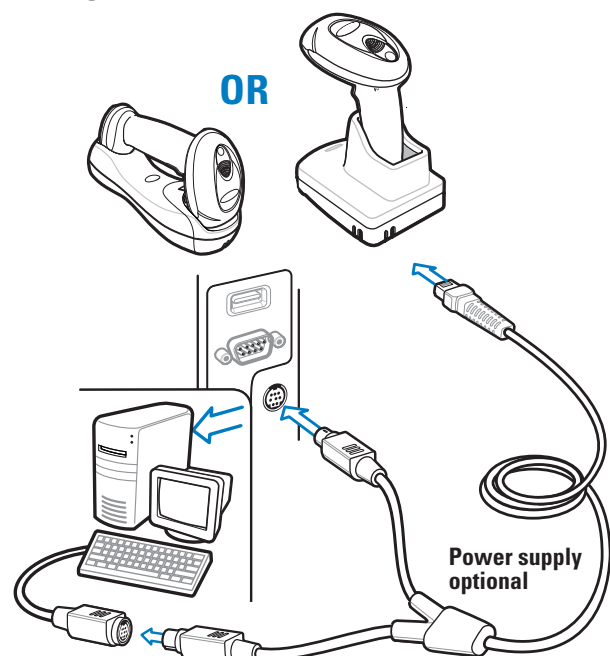
USB



IBM 46XX



Keyboard Wedge



STEP 3 - SET UP INTERFACE (Scan Host Bar Codes)

RS-232

Scan **ONE** of the bar codes below



STANDARD RS-232



NIXDORF RS-232 MODE B



ICL RS-232



FUJITSU RS-232



NIXDORF RS-232 MODE A



OPOS/JPOS

USB

Scan **ONE** of the bar codes below



HID KEYBOARD EMULATION



IBM HAND-HELD USB



SNAP I WITHOUT IMAGING
(For use with hands-free base only)

IBM 46XX

Scan **ONE** of the bar codes below



PORT 5B



PORT 9B



PORT 17

Keyboard Wedge

Scan bar code below



IBM PC/AT and IBM PC COMPATIBLE

HELPFUL BAR CODES

SET DEFAULTS



RETURN TO FACTORY DEFAULTS

BATTERY OFF



BATTERY OFF FOR LONG TERM STORAGE/SHIPPING

ADD AN ENTER KEY (Carriage Return/Line Feed)

To add an Enter key after scanned data, scan all **THREE** bar codes in numerical order.

1



SCAN OPTIONS

2



<DATA>-<SUFFIX 1>

3



ENTER

ADD A TAB KEY

To add a Tab key after scanned data, scan all **THREE** Enter key bar codes above in numerical order then scan all **FIVE** bar codes below in numerical order.

1



SCAN SUFFIX

2



7

3



0

4



0

5



9

123SCAN²

123Scan2 is an easy-to-use, PC-based software tool that enables rapid and easy customized setup via a bar code or USB cable. For more information, visit: <http://www.motorola.com/123Scan2>.

STEP 4 - SCAN RADIO COMMUNICATIONS HOST TYPES

Radio Communications Host Types

Scan a bar code below to choose how the scanner connects to a remote device. Scan **CRADLE HOST** if connecting to the CR0078 cradle. Refer to the Product Reference Guide for detailed information.



CRADLE HOST



HID PROFILE (SLAVE)



SERIAL PORT PROFILE (SLAVE)



SERIAL PORT PROFILE (MASTER)

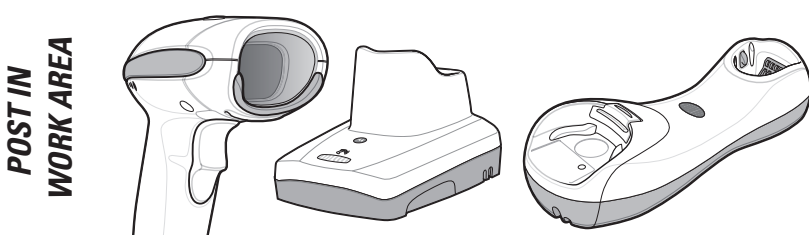
Unpairing/Disconnection



UNPAIR/DISCONNECT

L4278 LINEAR IMAGER

SCANNING



POST IN WORK AREA



012345

Aiming



012345

BEEPER INDICATIONS

Standard Use			
Low/medium/high beep	Short medium beep	4 long low beeps	4 short beeps
Power up	Bar code decoded	Transmission error detected; data is ignored	Low battery
Parameter Menu Scanning			
High/low/high/low beep	High/low beep	Low/high beep	
Successful parameter setting	Correct programming sequence performed	Incorrect programming sequence or "Cancel" bar code scanned	
Wireless Operation			
High/low/high/low beep	High/low beep	Low/high beep	
Pairing bar code scanned	Bluetooth disconnection	Bluetooth connection established	

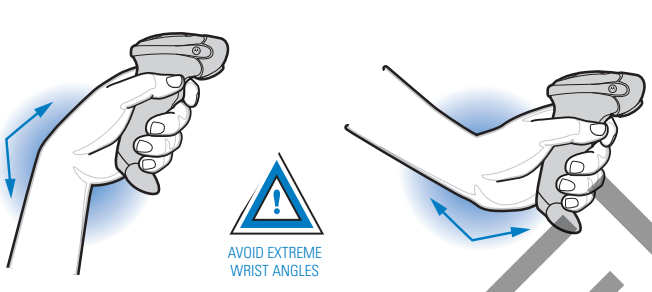
Hand-Held Scanning			
Off	Green	Red	
Scanner is on and ready to scan, or no power to scanner	Bar code is successfully decoded	Transmission error	
Hands-Free (Presentation) Scanning			
Off	Green	Off Momentarily	Red
No power to scanner	Scanner is ready to scan	Bar code is successfully decoded	Transmission error
Charging			
Off	Green - Slow Continuous	Green - Fast Continuous	Green - Solid
No power to scanner	Non-critical battery temperature fault	Scanner is charging	Scanner is fully charged

TROUBLESHOOTING

Scanner not working No power to scanner Check system power; battery may be discharged; charge scanner in cradle; check battery door is closed; ensure battery end cap is secured	Scanner not working Scanner is disabled Ensure that correct host interface cable is used	Scanner not decoding bar code Scanner not programmed for bar code type Ensure scanner is programmed to read type of bar code being scanned	Scanner not decoding bar code Bar code unreadable Ensure bar code is not defaced; try scanning test bar code of same bar code type	Scanner not decoding bar code Distance between scanner and bar code incorrect Move scanner closer to or further from bar code
Scanner decoding bar code, but data not transmitting to host Scanner not programmed for correct host interface Scan appropriate host parameter bar codes	Scanner decoding bar code, but data not transmitting to host Scanner not paired to host-connected interface Pair the scanner to the cradle	Scanner decoding bar code, but data not transmitting to host Interface cable is loose Ensure all cable connections are secure	Scanner decoding bar code, but data not transmitting to host Cradle lost connection to host In this order: disconnect power supply; disconnect host cable; wait three seconds; reconnect host cable; reconnect power supply; reestablish pairing	Scanner decoding bar code, but data not transmitting to host Scanned data incorrectly displayed on host Scanner not programmed for correct host interface Scan appropriate host parameter bar codes
LED indicates low battery start-up Low battery start-up Wait for red LED to turn green indicating scanner is charging	LED indicates low battery start-up Cradle communication error Inspect contacts; remove and reinsert scanner in cradle	LED indicates battery temperature Battery is above or below normal operating temperature Do not use scanner; move scanner to location with normal operating temperature; refer to the Product Reference Guide for more information		

RECOMMENDED USAGE GUIDE - OPTIMUM BODY POSTURE

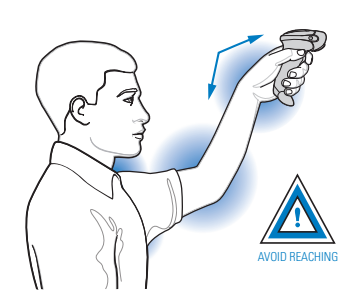
Avoid Extreme Wrist Angles



Avoid Bending



Avoid Reaching



Health and Safety Recommendations

- ### Ergonomic Recommendations
- Caution:** In order to avoid or minimize the potential risk of ergonomic injury follow the recommendations below. Consult with your local Health & Safety Manager to ensure that you are adhering to your company's safety programs to prevent employee injury.
- Reduce or eliminate repetitive motion.
 - Maintain a natural position.
 - Reduce or eliminate excessive force.
 - Keep objects that are used frequently within easy reach.
 - Perform tasks at correct heights.
 - Reduce or eliminate vibration.
 - Reduce or eliminate direct pressure.
 - Provide adjustable workstations.
 - Provide adequate clearance.
 - Provide a suitable working environment.
 - Improve work procedures.

REGULATORY INFORMATION

© 2011 MOTOROLA, Inc. All rights reserved. Motorola reserves the right to make changes to any product to improve reliability, function, or design. Motorola does not assume any product liability arising out of, or in connection with, the application of or use of any product, circuit, or application described herein. No license is granted, either express or by implication, estoppel, or otherwise under any patent right or patent, covering or relating to any combination, system, apparatus, machine, material, method, or process in which Motorola products might be used. An implied license exists only for equipment, circuits, and subsystems contained in Motorola products.

Power Supply
Use only Motorola/Symbol approved power supply. The power supply shall be Listed to UL/CSA 60950-1 and certified to IEC60950-1 and EN60950-1 with SELV outputs. Use of alternative power supply will invalidate any approval given to this device and may be dangerous.

Warranty
For the complete Motorola hardware product warranty statement, go to: <http://www.motorola.com/enterprise/warranty/warranty>.

Service Information
If you have a problem using the equipment, contact your facility's Technical or Systems Support. If there is a problem with the equipment, they will contact the Motorola Solutions Support at: <http://supportcentral.motorola.com>.
For the latest version of this guide go to: <http://supportcentral.motorola.com>.

This device is approved under the Symbol Technologies, Inc. brand: Symbol Technologies, Inc. is a wholly owned subsidiary of Motorola Solutions, Inc. (collectively "Motorola"). This guide applies to Model Number: L4278. All Motorola/Symbol devices are designed to be compliant with rules and regulations in locations they are sold and will be labeled as required. Local language translations are available at the following website: <http://supportcentral.motorola.com>.

Any changes or modifications to Motorola/Symbol Technologies equipment, not expressly approved by Motorola/Symbol Technologies, could void the user's authority to operate the equipment.

LED Devices
Complies with IEC/EN60825-1:2001 & EN 62471: 2006 and IEC62471: 2008
LED Output: This device contains two LEDs for illumination and aiming.

Bluetooth® Wireless Technology
This is an approved Bluetooth® product. For more information or to view End Product Listing, please visit <https://www.bluetooth.org/tpp/listings.cfm>.

Wireless Device Country Approvals
Regulatory markings, subject to certification, are applied to the device signifying the radio(s) is/are approved for use in the following countries: United States, Canada, Japan, China, S. Korea, Australia, and Europe 1,2.

Please refer to the Declaration of Conformity (DoC) for details of other country markings. This is available at <http://www.motorola.com/doc>.

Note1: For 2.4GHz or 5GHz Products: Europe includes, Austria, Belgium, Bulgaria, Czech Republic, Cyprus, Denmark, Estonia, Finland, France, Germany, Greece, Hungary, Iceland, Ireland, Italy, Latvia, Liechtenstein, Lithuania, Luxembourg, Malta, Netherlands, Norway, Poland, Portugal, Romania, Slovak Republic, Slovenia, Spain, Sweden, Switzerland and the United Kingdom.

Note 2: The use of RFID Devices have varying restrictions of use; please refer to the Motorola/Symbol Declaration of Conformity (DoC) for details.

Battery Safety Guidelines

- The area in which the units are charged should be clear of debris and combustible materials or chemicals. Particular care should be taken where the device is charged in a non commercial environment.
- Follow battery usage, storage, and charging guidelines found in the user's guide.
- Improper battery use may result in a fire, explosion, or other hazard.
- To charge the mobile device battery, the battery and charger temperatures must be between +32 °F and +104 °F (0 °C and +40 °C)
- Do not use incompatible batteries and chargers. Use of an incompatible battery or charger may present a risk of fire, explosion, leakage, or other hazard. If you have any questions about the compatibility of a battery or a charger, contact Motorola Enterprise Mobility support.
- For devices that utilize a USB port as a charging source, the device shall only be connected to products that bear the USB-IF logo or have completed the USB-IF compliance program.
- Do not disassemble or open, crush, bend or deform, puncture, or shred.
- Severe impact from dropping any battery-operated device on a hard surface could cause the battery to overheat.
- Do not short circuit a battery or allow metallic or conductive objects to contact the battery terminals.
- Do not modify or remanufacture, attempt to insert foreign objects into the battery, immerse or expose to water or other liquids, or expose to fire, explosion, or other hazard.
- Do not leave or store the equipment in or near areas that might get very hot, such as in a parked vehicle or near a radiator or other heat source. Do not place battery into a microwave oven or dryer.
- Battery usage by children should be supervised.
- Please follow local regulations to promptly dispose of used re-chargeable batteries.
- Do not dispose of batteries in fire.
- Seek medical advice immediately if a battery has been swallowed.

Radio Frequency Interference Requirements - FCC

FC Tested to comply with FCC Standards FOR HOME OR OFFICE USE

Note: This equipment has been tested and found to comply with the limits for a Class B digital device, pursuant to Part 15 of the FCC rules. These limits are designed to provide reasonable protection against harmful interference in a residential installation. This equipment generates, uses and can radiate radio frequency energy and, if not installed and used in accordance with the instructions, may cause harmful interference to radio communications. However there is no guarantee that interference will not occur in a particular installation. If this equipment does cause harmful interference to radio or television reception, which can be determined by turning the equipment off and on, the user is encouraged to try to correct the interference by one or more of the following measures:

- Reorient or relocate the receiving antenna
- Increase the separation between the equipment and receiver
- Connect the equipment into an outlet on a circuit different from that to which the receiver is connected
- Consult the dealer or an experienced radio/TV technician for help.

Radio Transmitters (Part 15)
This device complies with Part 15 of the FCC Rules. Operation is subject to the following two conditions:
(1) This device may not cause harmful interference, and
(2) This device must accept any interference received, including interference that may cause undesired operation.

Radio Frequency Interference Requirements - Canada
This Class B digital apparatus complies with Canadian ICES-003.
Cet appareil numérique de la classe B est conforme à la norme NMB-003 du Canada.

Radio Transmitters
This device complies with RSS 210 of Industry Canada. Operation is subject to the following two conditions:
(1) This device may not cause harmful interference and
(2) This device must accept any interference received, including interference that may cause undesired operation.

Mexico
Restrict Frequency Range to: 2.450 - 2.4835 GHz.

S. Korea
For a radio equipment using 2400-2483.5MHz or 5725-5825MHz, the following two expressions should be displayed:
당해 무선설비는 운용 중 전파혼신 가능성이 있음
당해 무선설비는 운용 중 전파혼신 가능성이 있으므로 인명안전과 관련된 서비스를 할 수 없습니다.

Taiwan
臺灣
低功率電波射性電機管理辦法
第十二條
經型式認證合格之低功率射頻電機，非經許可，公司、商號或使用者均不得擅自變更頻率，加大功率或變更原設計之特性及功能。
第十四條
低功率射頻電機之使用不得影響飛航安全及干擾合法通信；經發現有干擾現象時，應立即停用，並改善至無干擾時方得繼續使用。
前項合法通信，指依電信規定作業之無線電通信。
低功率射頻電機須忍受合法通信或工業、科學及醫療用電波射性電機設備之干擾。

English: For EU Customers: All products at the end of their life must be returned to Motorola or recycled. For information on how to return product, please go to: <http://www.motorola.com/recycling/eng>.

Polish: Dla klientów z UE: Wszystkie produkty na końcu ich cyklu życia muszą być oddane do recyklingu lub zwrócić do Motorola. Aby uzyskać więcej informacji, prosimy o odwiedzenie strony: <http://www.motorola.com/recycling/pl>.

Portuguese: Para clientes da UE: Todos os produtos no fim da vida devem ser devolvidos à Motorola ou reciclados. Para obter mais informações, consulte o endereço: <http://www.motorola.com/recycling/pt>.

Spanish: Para clientes de la UE: Todos los productos al final de su vida útil deben devolverse a Motorola o reciclarse. Para obtener más información, visite el siguiente enlace: <http://www.motorola.com/recycling/es>.

French: Pour les clients de l'UE: Tous les produits en fin de vie doivent être renvoyés à Motorola ou recyclés. Pour plus d'informations sur le retour de produits, consultez: <http://www.motorola.com/recycling/fr>.

German: Für Kunden in der EU: Alle Produkte müssen am Ende ihrer Lebensdauer zum Recycling an Motorola zurückgegeben werden. Informationen zur Rücksendung von Produkten finden Sie unter: <http://www.motorola.com/recycling/de>.

Italian: Per i clienti della UE: Tutti i prodotti in fine di vita devono essere restituiti a Motorola o riciclati. Per informazioni sui metodi di restituzione, visitate il seguente sito Web: <http://www.motorola.com/recycling/it>.

Japanese: EUのお客様向け: 製品の寿命が尽きた時点で、製品をモトローラに返すかリサイクルしてください。詳しくは、<http://www.motorola.com/recycling/jp>をご覧ください。

Chinese: 对于欧盟客户: 所有产品在生命周期结束时都必须返回摩托罗拉或进行回收。有关如何退回产品的信息, 请访问: <http://www.motorola.com/recycling/zh>。

Arabic: للمستهلكين في الاتحاد الأوروبي: يجب إرجاع جميع المنتجات في نهاية عمرها الافتراضي إلى موتورولا أو إعادة تدويرها. للحصول على مزيد من المعلومات، يرجى زيارة: <http://www.motorola.com/recycling/ar>.

Russian: Для клиентов из ЕС: Все продукты в конце срока службы должны быть возвращены в Motorola или переработаны. Для получения дополнительной информации посетите сайт: <http://www.motorola.com/recycling/ru>.

Ukrainian: Для клієнтів з ЄС: Всі продукти на кінці свого терміну служби повинні бути повернуті до Motorola або перероблені. Для отримання додаткової інформації відвідайте сторінку: <http://www.motorola.com/recycling/ua>.

Hebrew: לקוחות מ-ה-EEA: כל המוצרים בסוף חיי ה-מוצרים שלהם חייבים להישלח למחזור או לטיפול סביבתי. למידע נוסף, אנא עינו את: <http://www.motorola.com/recycling/he>.

Turkish: EEE Yönetmeliğine Uyundur

Warning: Operation of the device without regulatory approval is illegal.

Frequency of Operation - FCC and IC
2.4 GHz Only
The available channels for 802.11 b/g operation in the US are Channels 1 to 11. The range of channels is limited by firmware.

Warnings for Use of Wireless Devices
Please observe all warning notices with regard to the usage of wireless devices.

Safety in Aircraft
Switch off your wireless device whenever you are instructed to do so by airport or airline staff. If your device offers a "flight mode" or similar feature, consult airline staff as to its use in flight.

Safety in Hospitals
Wireless devices transmit radio frequency energy and may affect medical electrical equipment. Wireless devices should be switched off wherever you are requested to do so in hospitals, clinics or healthcare facilities. These requests are designed to prevent possible interference with sensitive medical equipment.

Pacemakers
Pacemaker manufacturers recommended that a minimum of 15cm (6 inches) be maintained between a handheld wireless device and a pacemaker to avoid potential interference with the pacemaker. These recommendations are consistent with independent research and recommendations by Wireless Technology Research.

Persons with Pacemakers:

- Should ALWAYS keep the device more than 15cm (6 inches) from their pacemaker when turned ON.
- Should not carry the device in a breast pocket.
- Should use the ear furthest from the pacemaker to minimize the potential for inter-ference.
- If you have any reason to suspect that interference is taking place, turn OFF your device.

Other Medical Devices
Please consult your physician or the manufacturer of the medical device, to determine if the operation of your wirelessproduct may interfere with the medical device.

RF Exposure Guidelines

Safety Information
Reducing RF Exposure – Use Properly
Only operate the device in accordance with the instructions supplied.

International
The device complies with internationally recognized standards covering human exposure to electromagnetic fields from radio devices. For information on "International" human exposure to electromagnetic fields refer to the Motorola/Symbol Declaration of Conformity (DoC) at <http://www.motorola.com/doc>.

LED Devices
Complies with IEC/EN60825-1:2001 & EN 62471: 2006 and IEC62471: 2008.

LED Output - this device contains two LEDs for illumination and aiming.

Aim/Illumination
Optical Output: 0.87mW
Pulse Duration: Continuous
Emitted Wavelength: 590-650nm

Viewing the LED output with certain optical instruments (for example, eye loupes, magnifiers and microscopes) may pose an eye hazard.

Use of controls or adjustments or performance of procedures other than those specified herein may result in hazardous or LED light exposure.

Statement of Compliance
Motorola/Symbol hereby, declares that this device is in compliance with the essential requirements and other relevant provisions of Directives 1999/5/EC, 2004/108/EC and 2006/95/EC.
Declaration of Conformities may be obtained from <http://www.motorola.com/doc>.

Power Supply
Use only Motorola/Symbol approved power supply. The power supply shall be Listed to UL/CSA 60950-1 and certified to IEC60950-1 and EN60950-1 with SELV outputs. Use of an alternative power supply will invalidate any approval given to this device and may be dangerous.

Batteries
Taiwan - Recycling

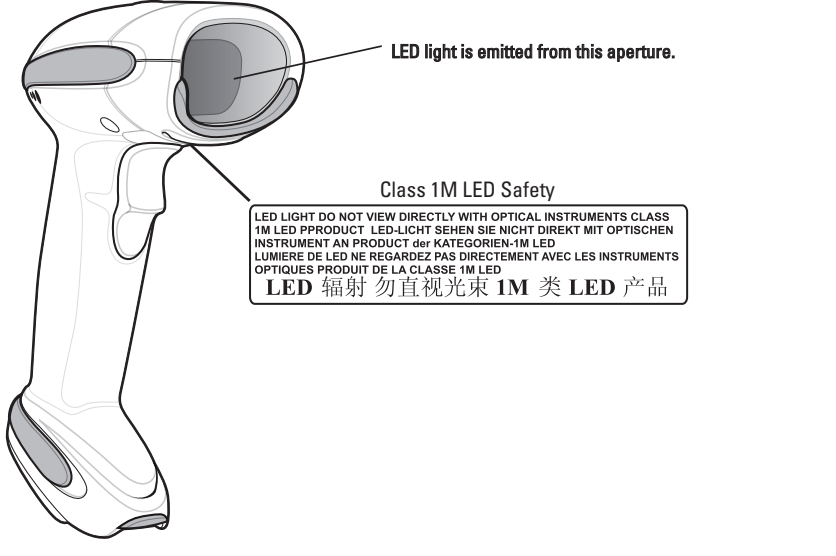
廢電池請回收

EPA (Environmental Protection Administration) requires dry battery producing or importing firms in accordance with Article 15 of the Waste Disposal Act are required to indicate the recycling marks on the batteries used in sales, giveaway or promotion. Contact a qualified Taiwanese recycler for proper battery disposal.

Battery Information
Motorola/Symbol rechargeable battery packs are designed and constructed to the highest standards within the industry. However, there are limitations to how long a battery can operate or be stored before needing replacement. Many factors affect the actual life cycle of a battery pack, such as heat, cold, harsh environmental conditions and severe drops. When batteries are stored over six (6) months, some irreversible deterioration in overall battery quality may occur. Store batteries at half of full charge in a dry, cool place, removed from the equipment to prevent loss of capacity.

rusting of metallic parts and electrolyte leakage. When storing batteries for one year or longer, the charge level should be verified at least once a year and charged to half of full charge. Replace the battery when a significant loss of run time is detected. Standard warranty period for all Symbol batteries is 30 days, regardless if the battery was purchased separately or included as part of the mobile computer or bar code scanner. For more information on Symbol batteries, please visit: <http://mysymbalcare.symbol.com/battery/batbasics1.html>

Scanner Labeling



LED light is emitted from this aperture.

Class 1M LED Safety

LED LIGHT DO NOT VIEW DIRECTLY WITH OPTICAL INSTRUMENTS CLASS 1M LED PRODUCT - LED-LICHT NIET RECHT ENKEL INSTRUMENT AN PRODUCT DER KATEGORIE-1M LED - INSTRUMENT DE LED NE RECHT ENKEL INSTRUMENT OPTIQUES PRODUIT DE LA CLASSE 1M LED - LED 直射勿直视光类 1M LED 产品

MOTOROLA

Motorola Solutions, Inc.
One Motorola Plaza
Holtville, MO 63420-1300, USA

MOTOROLA, MOTO, MOTOROLA SOLUTIONS and the Stylized M Logo are trademarks or registered trademarks of Motorola Trademark Holdings, LLC and are used under license. All other trademarks are the property of their respective owners.

© 2011 Motorola Solutions, Inc. All rights reserved.



72-154896-01 Revision A October 2011

L4278 LINEAR IMAGER