

## Communications Port

Pin#	Signal Name	Type	Description
1	RXD	input	Receive Data
2	TXD	output	Transmit Data
3	CTS	input	Clear To Send from host
4	RTS	output	Request To Send set high when printer is ready to accept command /data
5	GND		Ground
6	NC		No Connect
7	DSR	input	Data Set Ready low to high transition turns printer on, high to low transition turns printer off (if enabled)
8	DTR	output	Data Terminal Ready set high when printer is on (set to battery voltage for "S" versions)

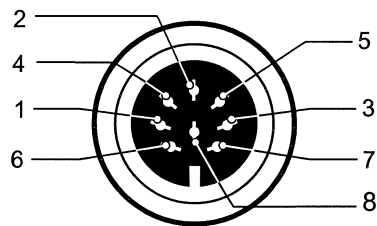


FIGURE 19 COMMUNICATIONS PORT  
(8 pin Circular DIN)

## **Agency Approvals**

- FCC Part 15 Subpart B Class A Electromagnetic Radiation Standard
- Built to UL, CUL and TUV standards
- EN50082-1 International Immunity Standard
- EN55022 Class B European Electromagnetic Radiation Standard

## **Accessories**

- Adjustable shoulder strap
- Protective soft case
- Extra battery packs
- 120-230 VAC battery charger
- Desk Mount
- Data cables

For details, call your authorized Zebra re-seller.

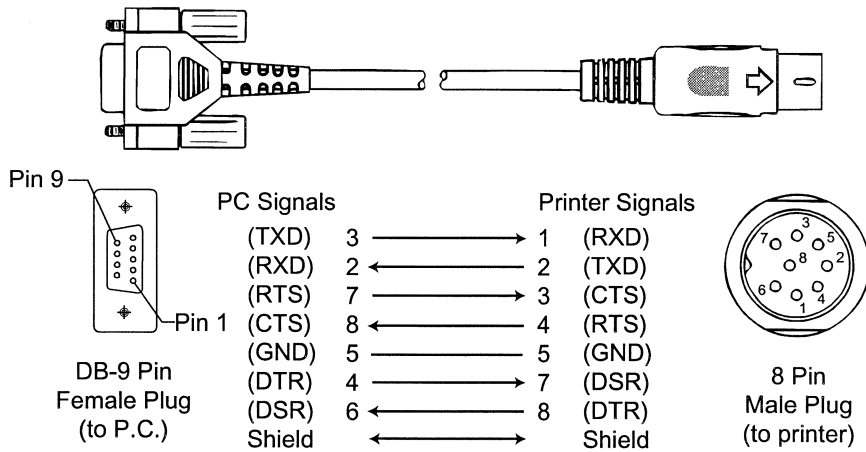
# Appendix A

## Interface Cables

Part Number 'BL11757-000; 8-Pin DIN to 9-Pin DB PC Cable

This part is also available as a coiled cable under Part Number BL15063-1.

For Use With a Personal Computer



# Appendix A

## INTERFACE CABLES

Terminal	Cable Part Number	Cord Lgth/Type	Terminal Connector	Printer Connector	Notes
<b>COMPSEE</b> Apex II	BL12093-3	8' Coiled	RJ45	8 Pin DIN	
<b>LXE</b> MX1, MX3 1380, 1390, 1590 2325	BL17757-000 BL17757-000 BL12093-1	6'/Straight 6'/Straight 8'/Coiled	9 Pin DB 9 Pin DB RJ45	8 Pin DIN 8 Pin DIN 8 Pin DIN	Power On/Off (+5V)
<b>NORAND</b> RT1100/1700 Series RT1100/1700 Series RT5900 Series RT1100/1700 Series RT1100/1700 Series RT1100/1700 Series RT1100/1700 Series 6400	BL11537-1 BL11537-2 BL12803-1 BL12804-1 BL13298-1 BL13309-1 BL11757-000	8'/Coiled 12'/Coiled 8'/Coiled 8'/Coiled 8'/Coiled 8'/Coiled 6'/Straight	6 Pin MiniDIN 6 Pin MiniDIN 15 Pin D-Sub 6 Pin MiniDIN 6 Pin MiniDIN 6 Pin MiniDIN 9 Pin DB	8 Pin DIN Over-molded 8 Pin DIN Over-molded 8 Pin DIN 8 Pin DIN -Locking 8 Pin DIN Over-molded 8 Pin DIN 8 Pin DIN	Auto ON/OFF Auto ON/OFF
<b>SYMBOL</b> PDT3300 Series PDT4100 Series	BL11391-000 BL11757-000	8'/Coiled 6'/Straight	DB25 male 9 Pin DB Fem.	8 Pin DIN 8 Pin DIN	Must be used with Symbol RS232 Adapter - Symbol PN#25-12059-01
PDT3100/3500 /6100 Series PDT3100 Series	BL12093-1 BL12093-2	8'/Coiled 8'/Coiled	RJ45 RJ45	8 Pin DIN 8 Pin DIN	a. Power On/Off (+5V) b. Used for the Percon Falcon Power On/Off (DTR Line)

# Appendix A

## INTERFACE CABLES (continued)

Terminal	Cable Part Number	Cord Lgth/Type	Terminal Connector	Printer Connector	Notes
<b>SYMBOL (CONT.)</b>					
SPT1700 Series	BL15483-1	9' / Coiled	Cradle	8 Pin DIN	No Power On/Off (DTR Line)
SPT2700 Series	BL15482-1	9' / Coiled	Cradle	8 Pin DIN	Power On/Off (DTR Line)
LRT/LDT3800 Series	CC11371-3	6' / Coiled	PIM Optical	8 Pin DIN	"S" Printers Only
LRT/LDT3800 Series (2 Way)	CC11371-14	6' / Coiled	PIM Optical	8 Pin DIN	"S" Printers Only
LRT/LDT3800 & 6800 Series	CC11371-14	6' / Coiled	PIM Optical	8 Pin DIN	"S" Printers Only
LRT/LDT3800 & 6800 Series	CC11371-15	6' / Coiled	PIM Optical	8 Pin DIN	"S" Printers Only
<b>TEKLOGIC</b>					
7030 ILR	BL13285-2	Coiled	36 Pin IDC Fern	8 Pin DIN	
7025 ILR	BL13285-1	Coiled	15 Pin DB male	8 Pin DIN	
<b>TELXON</b>					
960	BL11122-1	8' / Coiled	RJ45	8 Pin DIN	
960SL Adapter for BL11122-1	CC13711-1	n/a	n/a	n/a	
960 (BL11122-1) & 960SL (CC13711-1)	CP74005	n/a	n/a	n/a	
960	BL12996-1	8' / Coiled	RJ45	8 Pin DIN-Locking	
860 & 912	CL11314-000	8' / Coiled	DB25	8 Pin DIN	

## **Appendix B**

### **Media Supplies**

To insure maximum printer life and consistent print quality and performance for your individual application, it is recommended that only media produced by Zebra be used. These advantages include:

- Consistent quality and reliability of media products.
- Large range of stocked and standard formats.
- In-house custom format design service.
- Large production capacity which services the needs of many large and small media consumers including major retail chains world wide.
- Media products that meet or exceed industry standards.

For more information call Zebra Technologies Corporation at +1.401.739.5800 and ask to speak to a Media Sales Representative.

## **Appendix C**

### **Maintenance Supplies**

In addition to using quality media provided by Zebra, it is recommended that the printer be cleaned as prescribed in the maintenance section. The following items are available for this purpose:

- Cleaning Pen (10 pack), Reorder No. AN11209-1
- Cleaning Kit with Cleaning Pen, and Cotton Swabs, Reorder No. AT702-1

## Appendix D

### Product Support

When calling with a specific problem regarding your printer, please have the following information on hand:

- Model number/type (e.g. QL 320)
- Unit serial number (Found on the large label on the back of the printer)
- Product Configuration Code (PCC) (15 digit number found on the small label on the back of the unit)

Contact the Help Desk at:

Zebra Technologies Corporation  
30 Plan Way  
Warwick, Rhode Island 02886-1012 USA  
Telephone: +1 401.739.5800  
Fax: +1 401.732.7808  
e-mail: risupport@zebra.com

In Europe:

Zebra Technologies Europe, Limited  
Zebra House  
The Valley Centre, Gordon Road  
High Wycombe  
Buckinghamshire HP13 6EQ, United Kingdom  
Telephone: +44 1494 768298  
Fax: +44 1494 768210  
e-mail: tseurope@zebra.com  
Ask for Customer Support



## Index

### A

- Accessories 42
- Agency Approvals 42

### B

- Battery, charging 9
  - while printing 9
- Battery, installing 9
- Battery life, tips 29
- Belt clip 25, 28
- Bluetooth Device Address (BDA). *See* Communications: short range radio frequency (SRRF): Bluetooth™

### C

- Charger, battery 9
- Cleaning
  - Exterior 31
  - Interior 31
  - Linerless platen roller 31
  - Peel bar 31
  - Platen roller 31
  - Printhead 31
  - Sensors 31
  - Tear bar 31

### Communications

- Connector signals 41
  - infrared (IR) 20
  - SRRF 21
    - Bluetooth™ 23
    - Zebra proprietary protocol 21
  - with a cable 19
- Communications diagnostics 37
- Configuration label 34
  - sample printout 35, 36

### D

- Damage, shipping 7

### H

- Help Desk, contacting 37

### L

- Label Vista 17, 26
  - use in troubleshooting 37
- LAN. *See* Wireless communication: Local Area Network

### M

- Manual
  - CPL Programming 7, 26
  - ZPL II Programming 7, 26
- Media, loading 10
  - adjusting for core diameter 11

- peel-off mode 12
- tear-off mode 12

### O

- Operator Controls 13
  - LCD Keypad 15
    - functions displayed 17
  - Standard Keypad 13
    - error indicator 14
    - power-on indicator 13

### P

- piconet. *See* Communications: SRRF: Bluetooth™
- Platen
  - linerless 31
- Programming language
  - CPL 7
  - ZPL II 26
    - interpreter for 7

### Q

- QuickLink™ module 13

### S

- Shoulder Strap, adjusting 27
- Software 26
- Specifications
  - Font/bar Code 39
  - Label 39
  - Memory/communications 38
  - Physical 40
  - printing 38

### T

- Troubleshooting
  - entering Communications
  - Diagnostics Mode 37
  - entering Communications
  - Diagnostics Mode Diagnosti 37
  - LCD Control Panel 32
  - Standard control panel indicators 32
- Troubleshooting tests 34
  - printing a configuration label 18
- Troubleshooting Topics 33

### W

- Wireless communication
  - Local Area Network 13, 25



## Patent Information

This product and/or its use may be covered by one or more of the following US patents and corresponding international patents worldwide

D275,286	5,017,765	5,304,786	5,479,441	5,909,233
D347,021	5,021,641	5,304,788	5,486,057	5,976,720
D389,178	5,029,183	5,321,246	5,503,483	5,978,004
D430,199	5,047,617	5,335,170	5,504,322	5,995,128
D433,702	5,103,461	5,364,133	5,528,621	5,997,193
3,964,673	5,113,445	5,367,151	5,532,469	6,004,053
4,019,676	5,140,144	5,372,439	5,543,610	6,010,257
4,044,946	5,132,709	5,373,148	5,545,889	6,020,906
4,360,798	5,142,550	5,378,882	5,552,592	6,034,708
4,369,361	5,149,950	5,396,053	5,570,123	6,036,383
4,387,297	5,157,687	5,396,055	5,578,810	6,057,870
4,460,120	5,168,148	5,399,846	5,589,680	6,068,415
4,496,831	5,168,149	5,408,081	5,612,531	6,070,805
4,593,186	5,180,904	5,410,139	5,642,666	6,095,704
4,607,156	5,229,591	5,410,140	5,657,066	6,109,801
4,673,805	5,230,088	5,412,198	5,768,991	6,123,471
4,736,095	5,235,167	5,415,482	5,790,162	6,147,767
4,758,717	5,243,655	5,418,812	5,791,796	6,151,037
4,816,660	5,247,162	5,420,411	5,806,993	6,201,255B1
4,845,350	5,250,791	5,436,440	5,813,343	6,231,253B1
4,896,026	5,250,792	5,444,231	5,816,718	6,261,009
4,897,532	5,262,627	5,449,891	5,820,279	6,261,013
4,923,281	5,267,800	5,449,893	5,848,848	6,267,521
4,933,538	5,280,163	5,468,949	5,860,753	6,270,072B1
4,992,717	5,280,164	5,479,000	5,872,585	6,285,845B1
5,015,833	5,280,498	5,479,002	5,874,980	6,292,595
				6,296,032



## **Zebra Technologies Corporation**

Mobile Printer Center of Excellence

30 Plan Way

Warwick, RI 02886.1012 U.S.A.

Telephone: +1 401.739.5800

+ 1 800.556.7266

Facsimile: +1 401.732.7808

## **Zebra Technologies Europe Limited**

Zebra House

The Valley Centre, Gordon Road

High Wycombe

Buckinghamshire HP13 6EQ, UK

Telephone: +44 (0) 1494 472872

Facsimile: +44 (0) 1494 450103

*visit our website at [www.zebra.com](http://www.zebra.com)*

