

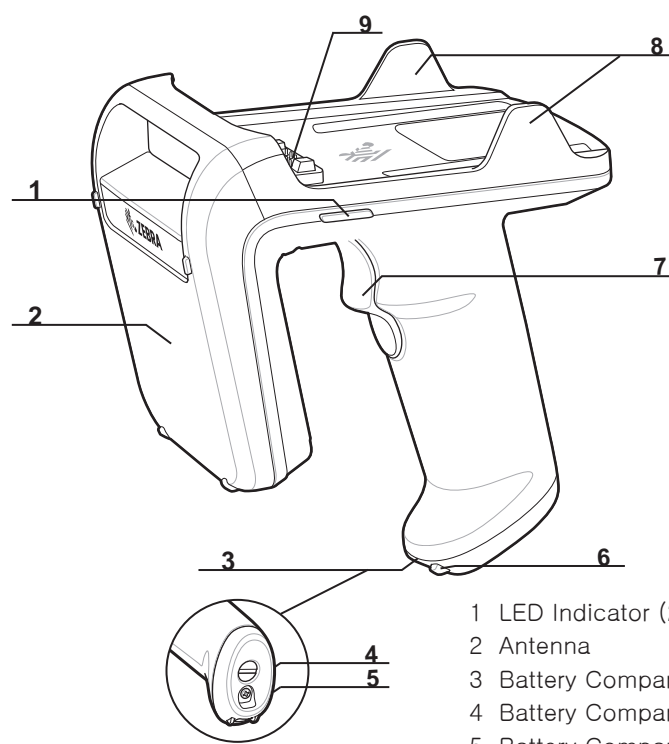
RFD2000 RFID Sled



Quick Start Guide

www.zebra.com/rfd2000

FEATURES

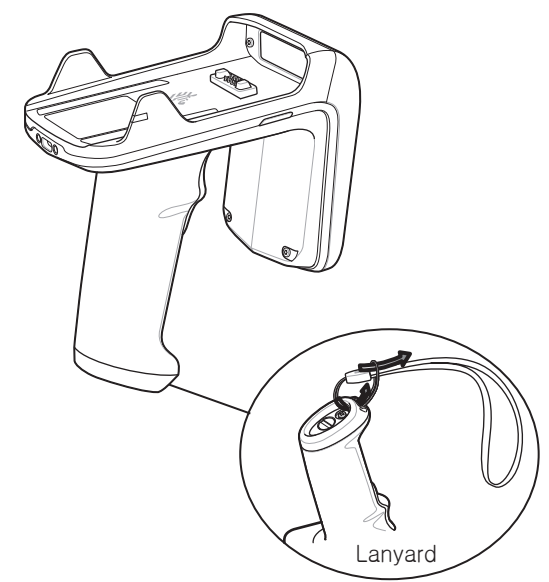


- 1 LED Indicator (2)
- 2 Antenna
- 3 Battery Compartment
- 4 Battery Compartment Latch
- 5 Battery Compartment Screw
- 6 Lanyard Hook
- 7 Trigger
- 8 Retention Clip (2)
- 9 Connector for TC20

INTRODUCTION

The RFD2000 sled provides Radio Frequency Identification (RFID) tag reading, writing, and locating capability to Zebra's TC20 mobile computer.

For detailed information, refer to the Product Reference Guide at: www.zebra.com/support.



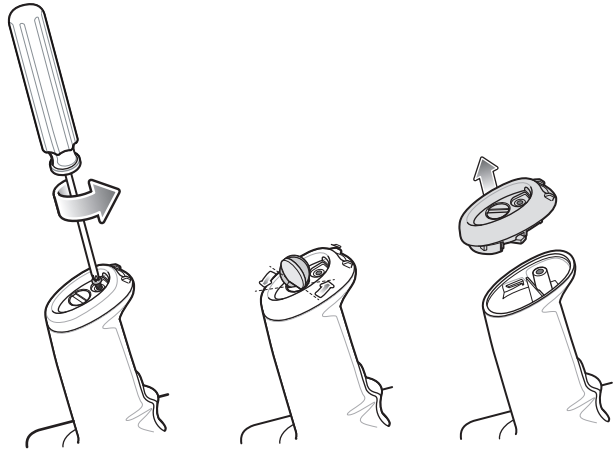
See Product Reference Guide for detailed information

BATTERY REPLACEMENT

Note: For initial use, fully charge the RFD2000 RFID sled for X ??? hours.

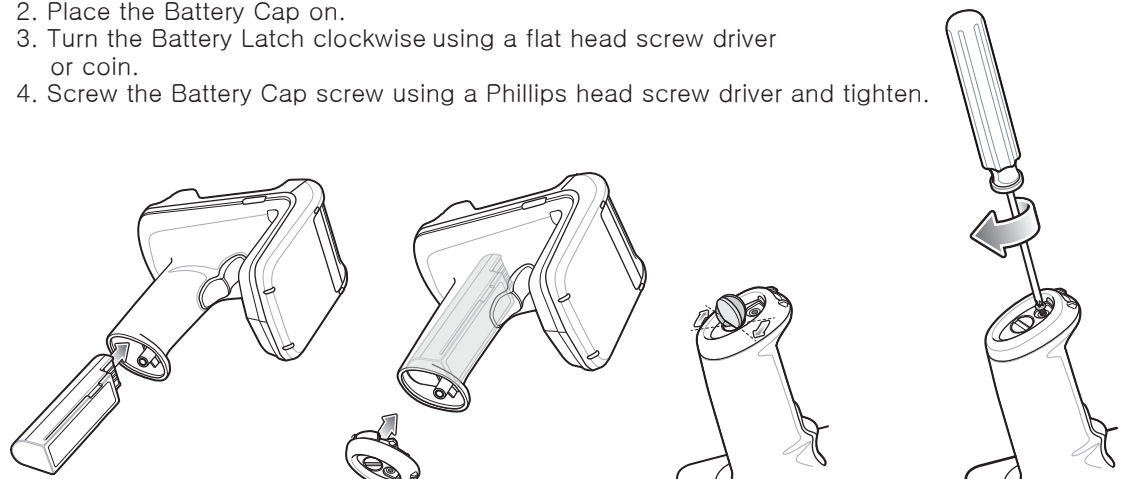
Remove the Battery

1. Remove the Battery Cap screw using a Phillips head screw driver.
2. Turn the Battery Latch counter clockwise approximately 30° using a flat head screw driver or coin.
3. Remove the Battery Cap.
4. Remove Battery.



Inserting the Battery

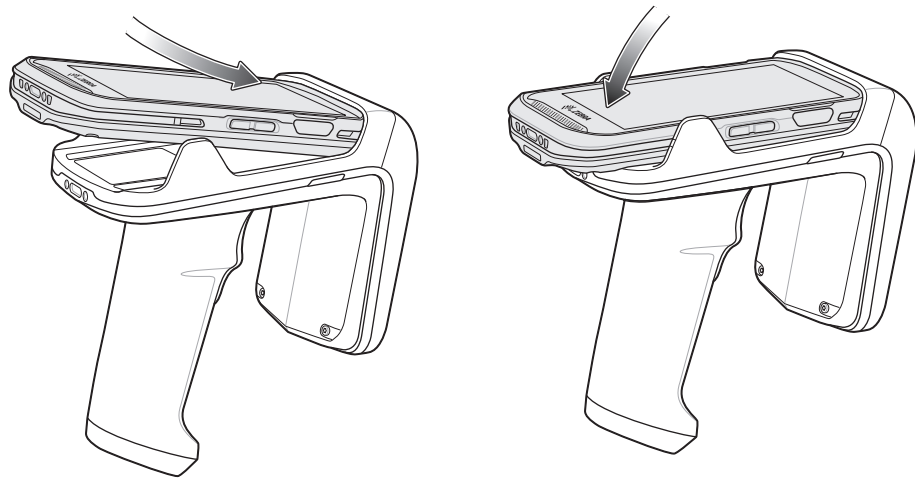
1. Insert the battery, connector end first, contacts facing toward trigger, into the Battery Compartment.
2. Place the Battery Cap on.
3. Turn the Battery Latch clockwise using a flat head screw driver or coin.
4. Screw the Battery Cap screw using a Phillips head screw driver and tighten.



DEVICE INSTALLATION

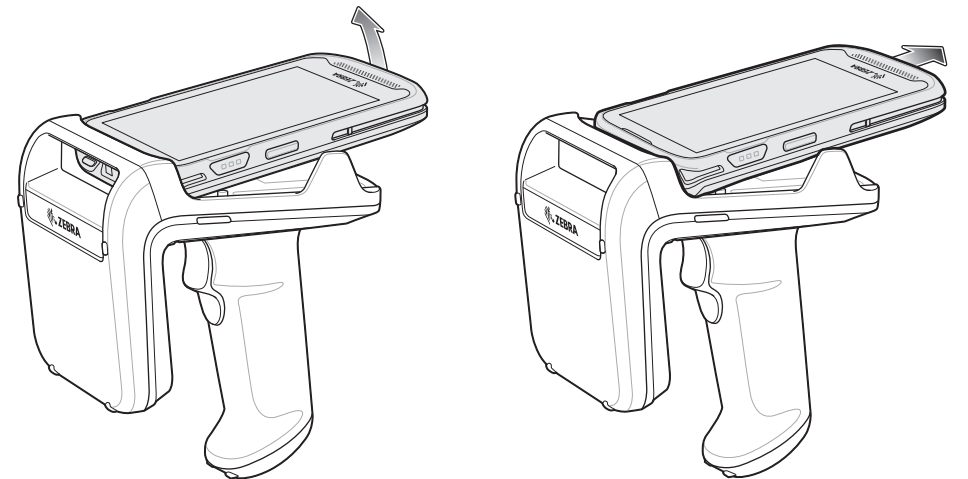
Inserting the TC20 into the RFID Sled

Place the TC20 fully forward on the RFD2000 sled base and push the TC20 down into the retention clips to secure the TC20 to the RFID Sled.



Removing the TC20 from the RFID Sled

To remove the TC20, firmly hold the RFD2000 sled handle, and lift the TC20 off of the sled base.



GETTING STARTED

Using the RFD2000

To use the RFD2000 for the first time with the TC20:

1. Charge the RFD2000 in the charging cradle.
2. Attach the TC20 on the RFD2000.
3. Set the region and power level (using the RFID Demo Application, RFID Manager Application, or the Partner Application).

For the latest versions of guides and software, go to: www.zebra.com/support.

SOFTWARE

Using RFID Manager for Android /RFID Demo

Note: Zebra RFID Manager for Android must be installed before the RFID Demo application.

To use the RFID Manager / Zebra RFID Demo for RFID operations:

1. Ensure that the RFID Manager for Android is installed on the TC20. The Zebra RFID Demo can be installed after RFID Manager is installed and verified.
2. Launch the application on the TC20.
3. Connect the RFD2000.
4. Before using the device for the first time, set the region in which the device is operating. To set the region, open the application and select Settings > Regulatory.
5. The application displays a successfully installed message. To manually verify the installation is successfully installed, select Setting > ???

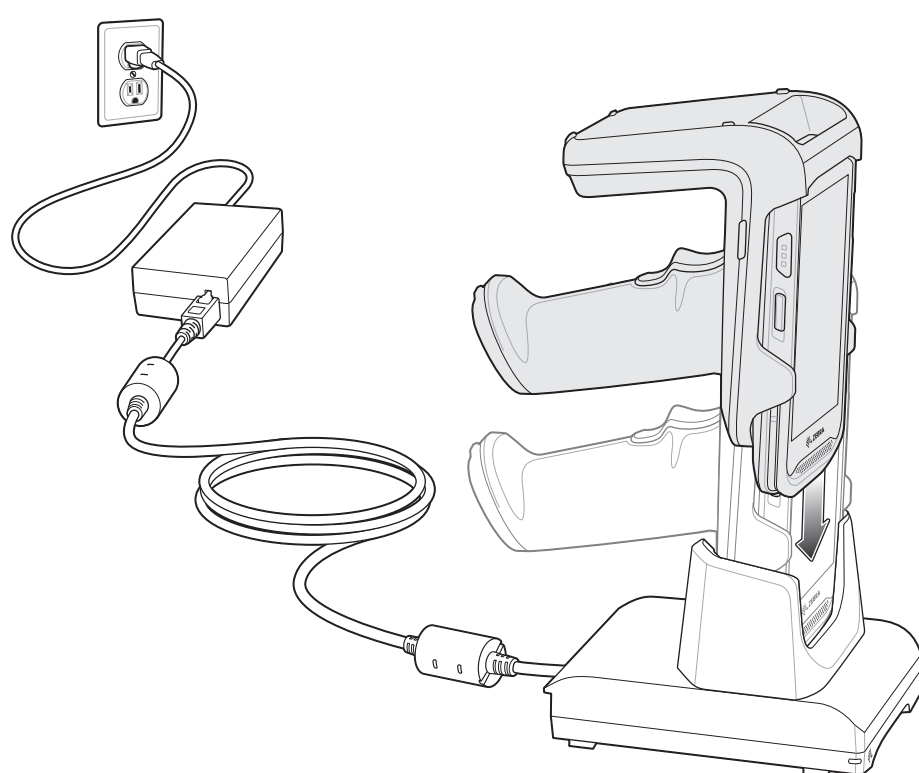
Note: Zebra RFID Manager does not supply real time information or allow settings setup if the RFID Demo Application or Partner Application is connected to the RFD2000.

CHARGING

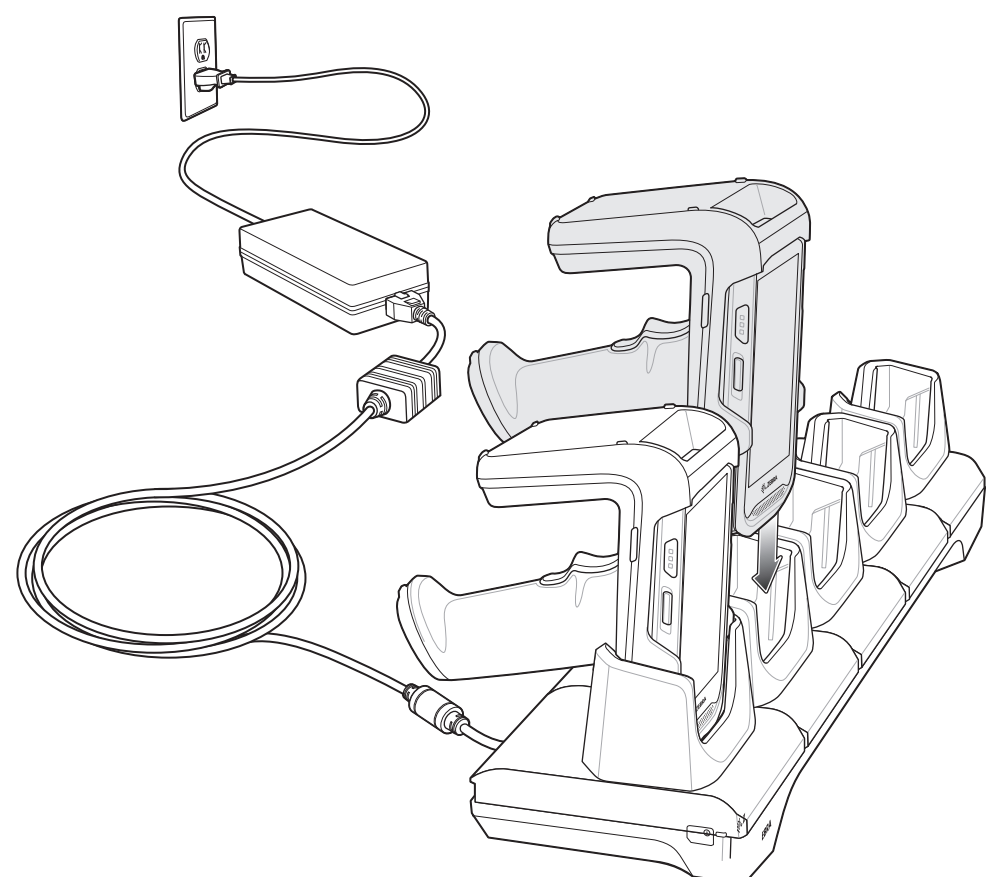
Charging

The RFD2000 RFID Sled and TC20 Mobile Computer may be charged in the charging cradle individually or attached together. Fully charge the RFD2000 by placing it in the charging cradle before first use. When an RFD2000 RFID Sled is removed from a charging cradle, it is automatically powered On. If a reader is not used for a duration of thirty minutes, the reader enters Off mode. Pressing the handle trigger for two seconds turns the reader back On.

Single Slot Charging Cradle

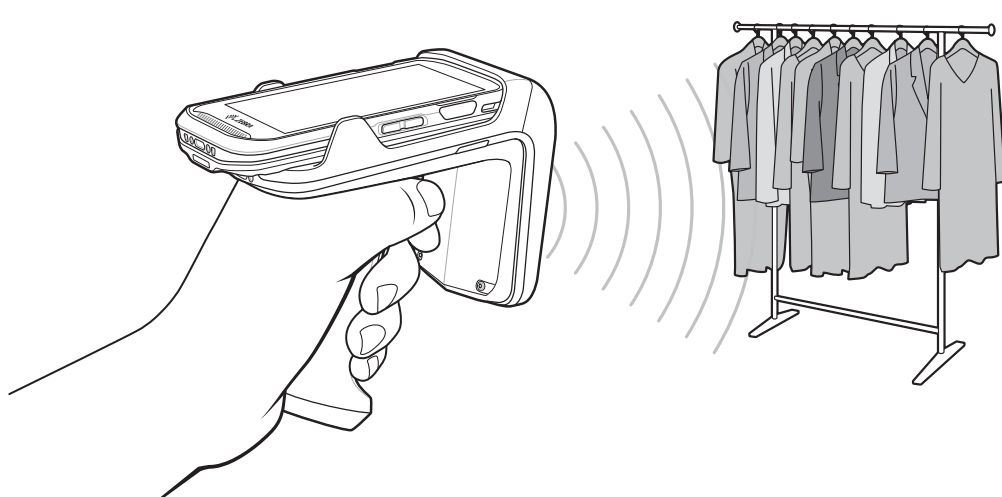


Five Slot Charging Cradle



OPTIMUM TAG DECODING

RFID Operation



LED INDICATORS

Condition	Power LED
Battery Indication While Charging	
Pre-charging	Amber (Fast, Fast, Slow)
Charging	Amber (Blinking)
Fully Charged	Green (Stays On)
Charging Error	Amber (Fast Blinking)
Battery Indication While Not Charging*	
Battery Charge Status	Green when remaining charge is 99%-51%
	Amber when remaining charge is 21%-50%
	Red when remaining charge is 0%-20%

*The battery charge status LED indicator appears within four seconds of removing the RFD2000 RFID Sled from the charging cradle.

OPTIMUM BODY POSTURE

Optimum Upright Body Posture



Optimum Body Posture for Low Scanning

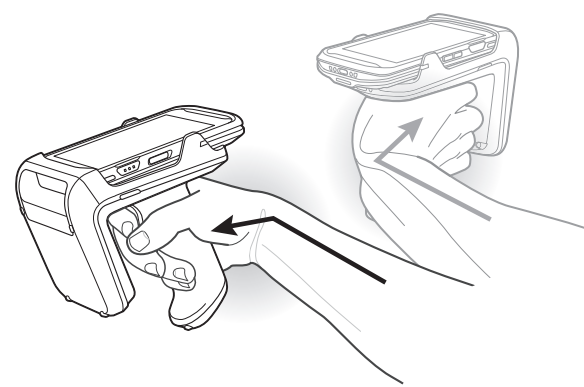


Optimum Body Posture for High Scanning



Taking breaks and task rotation recommended

AVOID EXTREME WRIST ANGLES



REGULATORY INFORMATION

Zebra reserves the right to make changes to any product to improve reliability, function, or design. Zebra does not assume any product liability arising out of, or in connection with, the application or use of any product, circuit, or application described herein. No license is granted, either expressly or by implication, estoppel, or otherwise under any patent right or patent, covering or relating to any combination, system, apparatus, machine, material, method, or process in which Zebra products might be used. An implied license exists only for equipment, circuits, and subsystems contained in Zebra products. Zebra and the Zebra head graphic are registered trademarks of ZIH Corp. The Symbol logo is a registered trademark of Symbol Technologies, Inc., a Zebra Technologies company. This Zebra Product may include Zebra Software, Commercial Third Party Software, and Publicly Available software. Refer to Product Reference Guide for complete copyright, conditions and disclaimer information.

Regulatory Information

This device is approved under Zebra Technologies Corporation. This guide applies to the RFD2000. All Zebra devices are designed to be compliant with rules and regulations in locations they are sold and will be labeled as required. Local language translations are available at the following website: www.zebra.com/support. Any changes or modifications to Zebra equipment, not expressly approved by Zebra, could void the user's authority to operate the equipment.

Caution:
Only use Zebra approved and UL listed accessories, battery packs, and battery chargers. Do NOT attempt to charge damp/wet mobile computers or batteries. All components must be dry before connecting to an external power source. Declared maximum operating temperature: 50°C.

Wireless Device Country Approvals

Note: This section is only applicable to WW/WR/EU configurations. Regulatory markings, subject to certification, are applied to the device signifying the radio(s) is/are approved for use in the following countries: United States, Canada, Japan, China, S. Korea, Australia, and Europe.

Please refer to the Declaration of Conformity (DoC) for details of other country markings. This is available at <http://www.zebra.com/doc>.

Note: Europe includes, Austria, Belgium, Bulgaria, Czech Republic, Cyprus, Denmark, Estonia, Finland, France, Germany, Greece, Hungary, Iceland, Ireland, Italy, Latvia, Liechtenstein, Lithuania, Luxembourg, Malta, Netherlands, Norway, Poland, Portugal, Romania, Slovak Republic, Slovenia, Spain, Sweden, Switzerland and the United Kingdom.

Caution:
Operation of this device without regulatory approval is illegal.

Health and Safety Recommendations

Ergonomic Recommendations
Caution: In order to avoid or minimize the potential risk of ergonomic injury follow the recommendations below. Consult with your local Health & Safety Manager to ensure that you are adhering to your company's safety programs to prevent employee injury.

- Reduce or eliminate repetitive motion
- Maintain a natural position
- Reduce or eliminate excessive force
- Keep objects that are used frequently within easy reach
- Perform tasks at correct heights
- Reduce or eliminate vibration
- Reduce or eliminate direct pressure
- Provide adjustable workstations
- Provide adequate clearance
- Provide a suitable working environment
- Improve work procedures.

Warnings for Use of Wireless Devices

Caution:
Please observe all warning notices with regard to the usage of wireless devices.

Potentially Hazardous Atmospheres - Vehicles Use

You are reminded of the need to observe restrictions on the use of radio devices in fuel depots, chemical plants, etc., and areas where the air contains chemicals or particles such as grain, dust, or metal powders and any other area where you would normally be advised to turn off your vehicle engine.

Safety in Aircraft

Switch off your wireless device whenever you are instructed to do so by airport or airline staff. If your device offers a 'flight mode' or similar feature, consult airline staff as to its use in flight.

Safety in Hospitals



Wireless devices transmit radio frequency energy and may affect medical electrical equipment. Wireless devices should be switched off wherever you are requested to do so in hospitals, clinics, or healthcare facilities. These requests are designed to prevent possible interference with sensitive medical equipment.

Pacemakers

Pacemaker manufacturers recommended that a minimum of 15 cm (6 inches) be maintained between a handheld wireless device and a pacemaker to avoid potential interference with the pacemaker. These recommendations are consistent with independent research and recommendations by Wireless Technology Research.

Persons with Pacemakers

- Should ALWAYS keep the device more than 15cm (6 inches) from their pacemaker when turned ON.
- Should not carry the device in a breast pocket.
- Should use the ear furthest from the pacemaker to minimise the potential for interference.
- If you have any reason to suspect that interference is taking place, turn OFF your device.

Other Medical Devices

Please consult your physician or the manufacturer of the medical device to determine if the operation of your wireless product may interfere with the medical device.

China RoHS

This table was created to comply with China RoHS requirements.

部件名称 (Parts)	有害物质						
	铅 (Pb)	汞 (Hg)	镉 (Cd)	六价铬 (Cr(VI))	多溴联苯 (PBBs)	多溴二苯醚 (PBDE)	
金属部件 (Metal Parts)	○	○	○	○	○	○	○
电路模块 (Circuit Modules)	X	○	○	○	○	○	○
电缆及电缆组件 (Cables and Cable Assemblies)	○	○	○	○	○	○	○
塑料和聚合物部件 (Plastic and Polymeric Parts)	○	○	○	○	○	○	○
光学和光学组件 (Optics and Optical Components)	○	○	○	○	○	○	○
电池 (Batteries)	○	○	○	○	○	○	○

0: 表示该有害物质在该部件所有均质材料中的含量均在 SJ/T 11364—2014 规定的限量要求以下。
X: 表示该有害物质至少在该部件的某一均质材料中的含量超出 SJ/T 11364—2014 规定的限量要求。(企业可在此处, 根据实际情况对上表中打“X”的技术原因进行进一步说明。)

This table was created to comply with China RoHS requirements.

RF Exposure Guidelines



Safety Information

Reducing RF Exposure - Use Properly

Only operate the device in accordance with instructions supplied.

International

The device complies with internationally recognized standards covering human exposure to electromagnetic fields from radio devices. For information on "International" human exposure to electromagnetic fields, refer to the Zebra Declaration of Conformity (DoC) at www.zebra.com/doc.

For further information on the safety of RF energy from wireless devices, see www.zebra.com/responsibility located under Corporate Responsibility.

Europe - Handheld Devices

To comply with EU RF exposure requirements, this device must be operated in the hand with a minimum separation distance of 20 cm or more from a person's body. Other operating configurations should be avoided.

US

This device was tested for typical hand held operation. The FCC has granted an Equipment Authorization for these model phones with all reported SAR levels evaluated as in compliance with the FCC RF exposure guidelines. SAR information on these model phones is on file with the FCC and can be found under the Display Grant section of <http://www.fcc.gov/oet/ea/fccid>.

The use of third-party accessories may not ensure compliance with FCC RF exposure requirements, and should be avoided.

Canada

This device was tested for typical hand held operation. The ISED has approved these model phones with all reported SAR levels evaluated as in compliance with the ISED RF exposure guidelines. SAR information on these model phones is on file with the ISED and can be found under the SAR Results section of <https://sms-sgs.ic.gc.ca/equipmentSearch/-searchRadioEquipments>. The use of third-party accessories may not ensure compliance with ISED RF exposure requirements, and should be avoided.

Cet appareil a été testé pour une opération manuelle typique. L'ISED a approuvé ces modèles de téléphones avec tous les niveaux SAR déclarés évalués conformément aux directives d'exposition RF ISED. L'information SAR sur ces modèles de téléphones est en mémoire avec l'ISED et peut être trouvée dans la section Résultats SAR de <https://sms-sgs.ic.gc.ca/equipmentSearch/searchRadioEquipments>.

L'utilisation d'accessoires tiers peut ne pas garantir la conformité aux exigences d'exposition RF ISED, et devrait être évitée.

Radio Frequency Interference Requirements - FCC



Note: This equipment has been tested and found to comply with the limits for a Class B digital device, pursuant to Part 15 of the FCC rules. These limits are designed to provide reasonable protection against harmful interference in a residential

installation. This equipment generates, uses and can radiate radio frequency energy and, if not installed and used in accordance with the instruction manual, may cause harmful interference to radio communications. However there is no guarantee that interference will not occur in a particular installation. If this equipment does cause harmful interference to radio or television reception, which can be determined by turning the equipment off and on, the user is encouraged to try to correct the interference by one or more of the following measures:

- Reorient or relocate the receiving antenna
- Increase the separation between the equipment and receiver
- Connect the equipment into an outlet on a circuit different from that to which the receiver is connected
- Consult the dealer or an experienced radio/TV technician for help.

Radio Transmitters (Part 15)

This device complies with Part 15 of the FCC Rules. Operation is subject to the following two conditions: (1) this device may not cause harmful interference, and (2) this device must accept any interference received including interference that may cause undesired operation.

Radio Frequency Interference Requirements - Canada

CAN ICES-3 (B)/NMB-3 (B)

Radio Transmitters

This device complies with Industry Canada's licence-exempt RSSs. Operation is subject to the following two conditions: (1) This device may not cause interference; and (2) This device must accept any interference, including interference that may cause undesired operation of the device.

Le présent appareil est conforme aux CNR d'Industrie Canada applicables aux appareils radio exempts de licence. L'exploitation est autorisée aux deux conditions suivantes: (1) l'appareil ne doit pas produire de brouillage, et (2) l'utilisateur de l'appareil doit accepter tout brouillage radio électrique subi même si le brouillage est susceptible d'en compromettre le fonctionnement.

CE Marking and European Economic Area (EEA)

Statement of Compliance

Zebra hereby declares that this radio equipment is in compliance with Directives, 2014/53/EU and 2011/65/EU. The full text of the EU Declaration of Conformity is available at the following internet address: www.zebra.com/doc.

Korea Warning Statement for Class B ITE

기종별
B급 기기
(가정용 방송통신기기)

사용자 안내문
이 기기는 가정용(B급)으로 전자파적합등록을 한 기기로서 주로 가정에서 사용하는 것을 목적으로 하며, 모든 지역에서 사용할 수 있습니다.

Brazil (UNWANTED EMISSIONS - ALL PRODUCTS)

Declarações Regulamentares para RFD2000 – Brazil
Nota: A marca de certificação se aplica ao Transceptor, modelo RFD2000. Este equipamento opera em caráter secundário, isto é, não tem direito a proteção contra interferência prejudicial, mesmo de estações do mesmo tipo, e não pode causar interferência a sistemas operando em caráter primário. Para maiores informações sobre ANATEL consulte o site: www.anatel.gov.br.

Este produto está homologado pela Anatel, de acordo com os procedimentos regulamentados pela Resolução n°242/2000 e atende aos requisitos técnicos aplicados, incluindo os limites de exposição da Taxa de Absorção Específica referente a campos elétricos, magnéticos e eletromagnéticos de radiofrequência, de acordo com as Resoluções n° 303/2002 e 533/2009.

Chile

Este equipo cumple con la Resolución No 403 de 2008, de la Subsecretaría de telecomunicaciones, relativa a radiaciones electromagnéticas.

China

通过访问以下网址可下载当地语言支持的产品说明书

www.zebra.com/support

锂电池安全警示语:

警告：请勿拆装、短路、撞击，挤压或者投入火中及水中；

注意：如果锂电池被不正确型号替换，或出现鼓胀，会存在爆炸及其他危险。请按说明处置使用过的电池

合格证:



Eurasian Customs Union

Евразийский Таможенный Союз

Данный продукт соответствует требованиям знака EAC.



Taiwan

臺灣 低功率電波輻射性電機管理辦法

第十二條

經型式認證合格之低功率射頻電機，非經許可，公司、商號或使用人均不得擅自變更頻率、加大功率或變更原設計之特性及功能。

第十四條

低功率射頻電機之使用不得影響飛航安全及干擾合法通信；經發現有干擾現象時應立即停用，並改善至無干擾時方得繼續使用。前項合法通信，指依電信規定作業之無線電通信。低功率射頻電機須忍受合法通信或工業、科學及醫療用電波輻射性電機設備之干擾。

Thailand

เครื่องโทรคมนาคมและอุปกรณ์นี้ มีความสอดคล้องตามข้อกำหนดของ กทช.

Batteries

Taiwan - Recycling



「廢電池請回收」

EPA (Environmental Protection Administration) requires dry battery producing or importing firms in accordance with Article 15 of the Waste Disposal Act are required to indicate the recycling marks on the batteries used in sales, giveaway, or promotion. Contact a qualified Taiwanese recycler for proper battery disposal.

Battery Information

Caution: Risk of explosion if battery is replaced by an incorrect type. Dispose of batteries according to instructions.

Use only Zebra approved batteries. Accessories which have battery charging capability are approved for use with the following battery models: Part Number: BT-000341-01 and BT-000341-02; (3.6 Vdc, 3150 mAh).

Zebra approved rechargeable battery packs are designed and constructed to the highest standards within the industry.

However, there are limitations as to how long a battery can operate or be stored before needing replacement. Many factors affect the actual life cycle of a battery pack such as heat, cold, harsh environmental conditions, and severe drops.

When batteries are stored over six months, some irreversible deterioration in overall battery quality may occur. Store batteries at half of full charge in a dry, cool place, removed from the equipment to prevent loss of capacity, rusting of metallic parts, and electrolyte leakage. When storing batteries for one year or longer, the charge level should be verified at least once a year and charged to half of full charge. Replace the battery when a significant loss of run time is detected. Standard warranty period for all Zebra batteries is one year, regardless if the battery was purchased separately or included as part of the mobile computer or bar code scanner. For more information on Zebra batteries, please visit: www.zebra.com/batterybasics.

Battery Safety Guidelines

The area in which the units are charged should be clear of debris and combustible materials or chemicals. Particular care should be taken where the device is charged in a non-commercial environment.

- Follow battery usage, storage, and charging guidelines found in the user's guide.
- Improper battery use may result in a fire, explosion, or other hazard.
- To charge the mobile device battery, the battery and charger temperatures must be between +32 °F and +104 °F (0 °C and +40 °C).
- Do not use incompatible batteries and chargers. Use of an incompatible battery or charger may present a risk of fire, explosion, leakage, or other hazard. If you have any questions about the compatibility of a battery or a charger, contact Zebra support.
- Do not disassemble or open, crush, bend or deform, puncture, or shred.
- Severe impact from dropping any battery-operated device on a hard surface could cause the battery to overheat.
- Do not short circuit a battery or allow metallic or conductive objects to contact the battery terminals.
- Do not modify or remanufacture, attempt to insert foreign objects into the battery, immerse or expose to water or other liquids, or expose to fire, explosion, or other hazard.
- Do not leave or store the equipment in or near areas that might get very hot, such as in a parked vehicle or near a radiator or other heat source. Do not place battery into a microwave oven or dryer.
- Battery usage by children should be supervised.
- Please follow local regulations to promptly dispose of used rechargeable batteries.
- Do not dispose of batteries in fire.
- Seek medical advice immediately if a battery has been swallowed.
- In the event of a battery leak, do not allow the liquid to come in contact with the skin or eyes. If contact has been made, wash the affected area with large amounts of water and seek medical advice.
- If you suspect damage to your equipment or battery, contact Zebra support to arrange for inspection.

Warranty

For the complete Zebra hardware product warranty statement, go to: www.zebra.com/warranty.

For Australia Only

This warranty is given by Zebra Technologies Asia Pacific Pte. Ltd., 71 Robinson Road, #05-02/03, Singapore 068895, Singapore. Our goods come with guarantees that cannot be excluded under the Australia Consumer Law. You are entitled to a replacement or refund for a major failure and compensation for any other reasonably foreseeable loss or damage. You are also entitled to have the goods repaired or replaced if the goods fail to be of acceptable quality and the failure does not amount to a major failure.

Zebra Technologies Corporation Australia's limited warranty above is in addition to any rights and remedies you may have under the Australian Consumer Law. If you have any queries, please call Zebra Technologies Corporation at +65 6858 0722. You may also visit our website: www.zebra.com for the most updated warranty terms.

Service Information

If you have a problem using the equipment, contact your facility's Technical or Systems Support. If there is a problem with the equipment, they will contact



Waste Electrical and Electronic Equipment (WEEE)

English: For EU Customers: All products at the end of their life must be returned to Zebra for recycling. For information on how to return product, please go to: www.zebra.com/weee.

Bulgarian: За клиентите от ЕС: След края на полезния им живот всички продукти трябва да се върнат на Zebra за рециклиране. За информация относно връщането на продукти, моля отидете на адрес: www.zebra.com/weee.

Czech: Pro zákazníky z EU: Všechny produkty je nutné po skončení jejich životnosti vrátit společnosti Zebra k recyklaci. Informace o způsobu vrácení produktu najdete na webové stránce: www.zebra.com/weee.

Dansk: Til kunder i EU: Alle produkter skal returneres til Zebra til recykling, når de er udtjent. Læs oplysningerne om returnering af produkter på: www.zebra.com/weee.

Deutsch: Für Kunden innerhalb der EU: Alle Produkte müssen am Ende ihrer Lebensdauer zum Recycling an Zebra zurückgesandt werden. Informationen zur Rücksendung von Produkten finden Sie unter www.zebra.com/weee.

Español: Para clientes en la Unión Europea: todos los productos deberán entregarse a Zebra al final de su ciclo de vida para que sean reciclados. Si desea más información sobre cómo devolver un producto, visite: www.zebra.com/weee.

Français: Clients de l'Union Européenne: Tous les produits en fin de cycle de vie doivent être retournés à Zebra pour recyclage. Pour de plus amples informations sur le retour de produits, consultez: www.zebra.com/weee.

Italiano: per i clienti dell'UE: tutti i prodotti che sono giunti al termine del rispettivo ciclo di vita devono essere restituiti a Zebra al fine di consentire il riciclaggio. Per informazioni sulle modalità di restituzione, visitate il seguente sito Web: www.zebra.com/weee.

Latviešu: ES klientiem: visi produkti pēc to kalpošanas mūža beigām ir jānogādā atpakaļ Zebra attīrīšanai pārstrādei. Lai iegūtu informāciju par produktu nogādāšanu Zebra, lūdzu, skatiet: www.zebra.com/weee.

Lietuvių: ES vartotojams: visi gaminiai, pasibaigus jų eksploatacijos laikui, turi būti grąžinti utilituzi į kompaniją „Zebra“. Daugiau informacijos, kaip grąžinti gaminį, rasite: www.zebra.com/weee.

Magyar: Az EU-ban vásárlóknak: Minden tőnkretnem termékét a Zebra vállalathoz kell eljuttatni újrafeldolgozás céljából. A termék visszajuttatásának módjával kapcsolatos tudnivalókról látogasson el a www.zebra.com/weee weboldalra.

Mal: Ghai klienti fl-UE: Ii-prodotti kollha li jkunu waslu fl-għar tal-halja ta l-uzu tagħhom, iridu iġu ritornati għand Zebra għar-riċiklaġġ. Għal aktar taġrif dwar kiġ għandek limitana l-prodott, jeġk iġoġbtoġk żur: www.zebra.com/weee.

Nederlands: Voor klanten in de EU: alle producten dienen aan het einde van hun levensduur naar Zebra te worden teruggezonden voor recycling. Raadpleeg www.zebra.com/weee voor meer informatie over het terugzenden van producten.

Polski: Klienti z obszaru Unii Europejskiej: Produkty wycofane z eksploatacji należą zwrócić do firmy Zebra w celu ich utylizacji. Informacje na temat zwrótu produktów znajdź się na stronie internetowej www.zebra.com/weee.

Português: Para clientes da UE: todos os produtos no fim de vida devem ser devolvidos à Zebra para reciclagem. Para obter informações sobre como devolver o produto, visite: www.zebra.com/weee.

Românese: Pentru clienții din UE: Toate produsele, la sfârșitul duratei lor de funcționare, trebuie returnate la Zebra pentru reciclare. Pentru informații despre returnarea produsului, accesați: www.zebra.com/weee.

Slovenčina: Pre zákazníkov z krajín EU: Všetky výrobky musia byť po uplynutí doby ich životnosti vrátené spoločnosti Zebra na recykláciu. Blížšie informácie o vrátení výrobkov nájdete na: www.zebra.com/weee.

Slovenski: Za kupce v EU: vsi izdelki se morajo po poteku življenjske dobe vrniti podjetju Zebra za reciklajo. Za informacije o vračilu izdelka obiščite: www.zebra.com/weee.

Suomi: Asiakkaita Euroopan unionin alueelta: Kaikki tuotteen on palautettava kierrätettäväksi Zebra-yhtiöön, kun tuotetta ei enää käytetä. Lisätietoja tuotteen palauttamisesta on osoitteessa www.zebra.com/weee.

Svenska: För kunder inom EU: Alla produkter som uppnått sin livslängd måste returneras till Zebra för återvinning. För information om hur du returnerar produkten finns på www.zebra.com/weee.

Türkçe: AB Müşterileri için: Kullanım süresi dolan tüm ürünleri geri dönüştürme için Zebra'ya iade etmelidiniz. Ürünlerin nasıl lade edileceği hakkında bilgi için lütfen şu adresi ziyaret edin: www.zebra.com/weee.