

Zebra® ZXP Series 8™ Card Printer

User's Manual



Copyright Notice

© 2009 ZIH Corp.

This document contains information proprietary to Zebra Technologies Corporation. This document and the information contained within is Copyrighted by Zebra Technologies Corporation and may not be duplicated in full or in part by any person without written approval from Zebra.

While every effort has been made to keep the information contained within current and accurate as of the date of publication, no guarantee is given that the document is error-free or that it is accurate with regard to any specification. Zebra Technologies Corporation reserves the right to make changes, for the purpose of product improvement, at any time.

Trademarks

ZXP Series 8 is a trademark and Zebra is a registered trademark of Zebra Technologies Corporation. Windows is a registered trademark of Microsoft Corporation in the United States and other countries. All other trademarks or registered trademarks are marks of their respective holders.

Product Disposal



Product Disposal Information • Do not dispose of this product in unsorted municipal waste. This product is recyclable, and should be recycled according to your local standards. For more information, please see our web site at:
<http://www.zebra.com/environment>

Contents



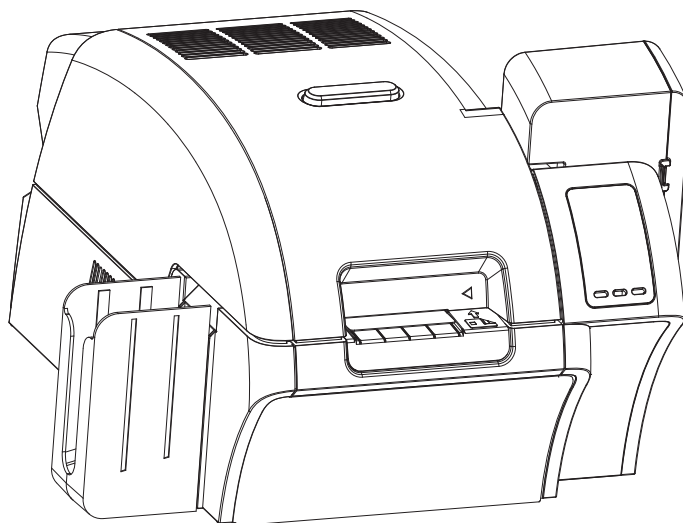
1 • Introduction	1
Printer Features	2
Controls, Connectors, and Indicators	3
Icons	4
Zebra Supplies	4
2 • Installation and Setup	5
General Information	5
Unpacking the Printer	6
Installing the Card Hoppers	8
Loading Cards	9
Opening the Printer Door	10
Installing the Card Cleaning Cartridge	11
Installing the Card Cleaning Roller	12
Loading the Transfer Film	13
Loading a Print Ribbon	15
Connecting Power	17
Connecting the Printer to your Computer	18
Installing the Windows Printer Driver	19
3 • Operation	25
Introduction	25
Card Type Selection	26
Printing a Sample Card	27
Manual Card Feed	28
Operator Control Panel (OCP)	30

4 • Printer Settings and Adjustments	37
Introduction	37
Properties	38
Printing Preferences	45
5 • ZXP ToolBox	51
Introduction	51
ZXP Toolbox Access	52
Printer Configuration	53
Print Test Card	62
Technology	63
Advanced Security	65
Print Viewer	68
6 • Cleaning	69
Cleaning the Printer	69
Cleaning the Printhead	73
Card Cleaning Cartridge	74
Card Cleaning Roller	74
7 • Troubleshooting	75
OCP Error Messages	76
OCP Test Card Images	79
Test Card Descriptions	80
8 • Technical Specifications	81
Standard Features	81
Specifications	82
Declarations of Conformity	85
Appendix A • Printer Configurations	87
Appendix B • Magnetic Card Encoder	89
Appendix C • Smart Card Options	93
Appendix D • Packing the Printer for Shipment	97
Appendix E • Worldwide Support	99



Introduction

This manual contains installation and operation information for the Zebra ZXP Series 8 Card Printers manufactured by Zebra Technologies Corporation.

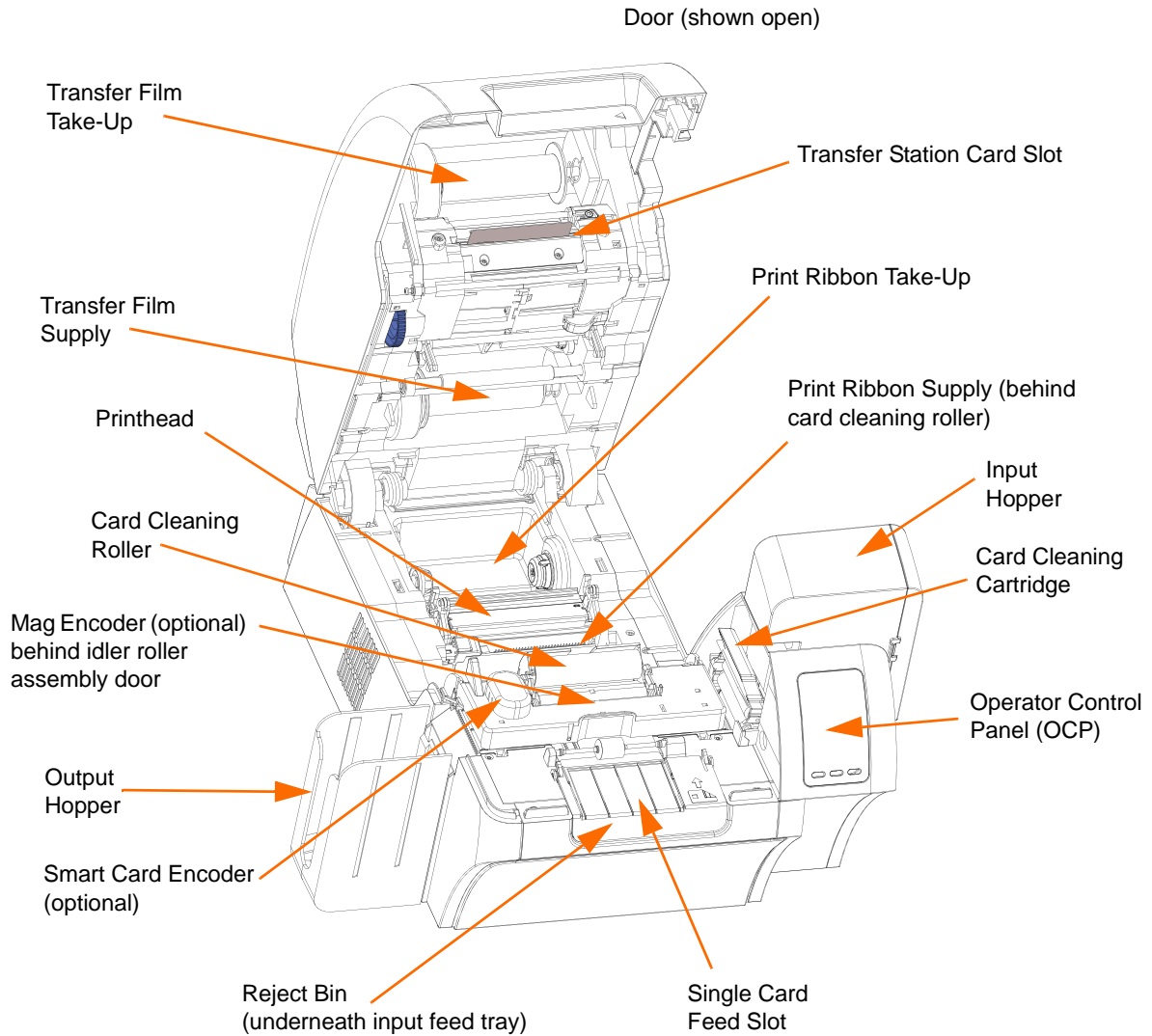


The Zebra ZXP Series 8 Card Printers use reverse transfer printing technology to create photo-quality and over-the-edge images on plastic identification cards.

Zebra's reverse transfer printers provide fast throughput and a range of encoding options for a variety of markets and applications.

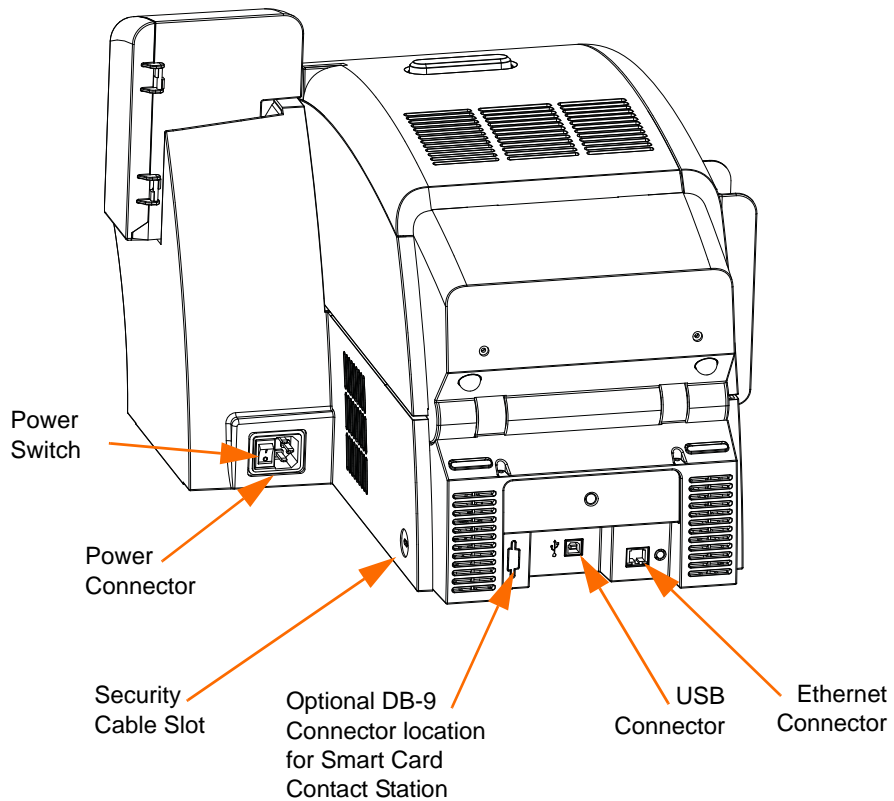
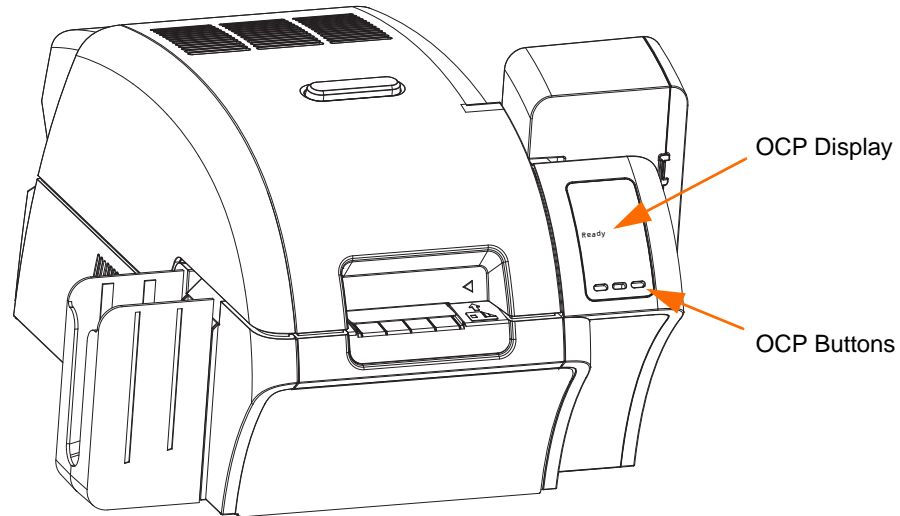
Printer Features

The following figure shows features of the printer.



Controls, Connectors, and Indicators

Your printer has an OCP Display and three OCP Buttons on the front and a power connector, power switch, and interface connector(s) on the rear panel.



Icons

Throughout this manual, different icons highlight important information, as follows:



Note • Indicates information that emphasizes or supplements important points of the main text.



Important • Advises you of information that is essential to complete a task, or points out the importance of specific information in the text.



Provides an example or scenario to demonstrate or clarify a section of text.



Electrostatic Discharge Caution • Warns you of the potential for electrostatic discharge.



Electric Shock Caution • Warns you of a potential electric shock situation.



Hot Surface • Warns you of a situation where excessive heat could cause a burn.



Caution • Advises you that failure to take or avoid a specific action could result in physical harm to you, or could result in physical damage to the hardware.

Zebra Supplies

Genuine Zebra supplies meet stringent quality standards and are recommended for optimal printing quality and proper printer performance. The ZXP Series 8 printer is designed to work only with Zebra True Colours® i Series™ Ribbons and Transfer Film.



Installation and Setup

General Information

This section will guide you through the installation and setup of your Card Printer. This consists of the following procedures, which should be performed in the order presented.

- Unpacking the Printer 6
- Installing the Card Hoppers 8
- Loading Cards 9
- Opening the Printer Door 10
- Installing the Card Cleaning Cartridge 11
- Installing the Card Cleaning Roller 12
- Loading the Transfer Film 13
- Loading a Print Ribbon 15
- Connecting Power 17
- Connecting the Printer to your Computer 18
- Installing the Windows Printer Driver 19

The procedure to be followed for Packing the Printer for Shipment is given at the end of this section.

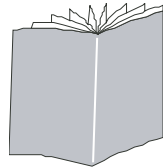
Unpacking the Printer

- Step 1.** Inspect the shipping container to ensure that no damage has occurred during shipment. If any damage is apparent, file a claim with the shipper.
- Step 2.** Open the shipping container.
- Step 3.** Remove the packing material and accessories.

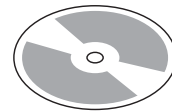


Important • Save all the packing material and the shipping carton in case the Printer needs to be moved or shipped. If the original material is lost or damaged, a replacement Shipping Kit can be ordered from Zebra.

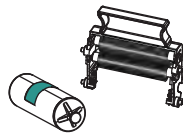
- Step 4.** Make sure the following items are included with your Printer:



Quick Start Guide



CD-ROM with InstallWizard



Card Cleaning Cartridge

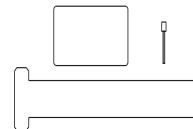


Card Cleaning Roller

USB



USB Cable



Cleaning Kit



Power Cable

If any items are missing, please contact your dealer. To reorder, please refer to [Appendix E](#) of this manual.

Step 5. Lift the Printer out of the carton by holding it with both hands.



Caution • The Printer weighs approximately 27.5 lbs (12.5 kg).

Step 6. Place the Printer in a location that meets the following requirements:

- A reasonably dust- and dirt-free environment.
- Flat surface at least 27 in (686 mm) x 28 in (711 mm) that can support the weight of the Printer; additional space preferred. Allow a 4-inch clearance, minimum, on all sides.
- Vertical clearance at least 32 in (813 mm).
- Temperature within the range of 59° to 77°F (15° to 25°C).
- Relative Humidity 20 to 80% inclusive, non-condensing.
- AC power accessible.

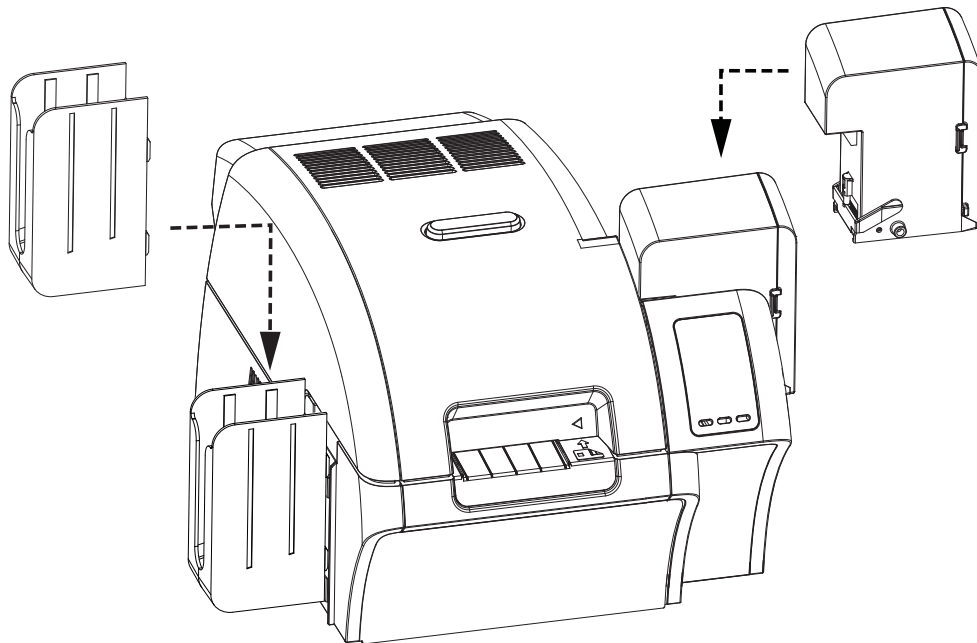
Step 7. Remove the protective plastic bag from the Printer.

Installing the Card Hoppers

Input Hopper

The Input Hopper is positioned on the right side of the Printer and holds the cards to be printed.

- Step 1.** Install the Input Hopper by sliding the hopper into the receptacle on the right side of the Printer.
- Step 2.** Ensure that the Input Hopper locks securely in place.



Output Hopper

The Output Hopper is positioned on the left side of the Printer and receives the printed cards.

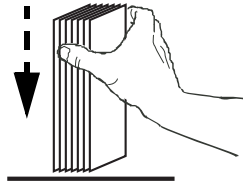
- Step 1.** Install the Output Hopper by inserting the four tabs on the right side of the hopper into the four slots on the left side of the Printer.
- Step 2.** Ensure that the Output Hopper locks securely in place.

Loading Cards

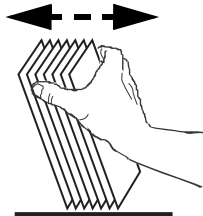
Step 1. Open the Input Hopper Door.

Step 2. Remove the wrapping from the card deck.

Step 3. Holding the card deck by the sides, hold it vertically against a flat surface such as a desktop. If the deck is too thick for your hand to hold it comfortably, use about half a deck at a time.



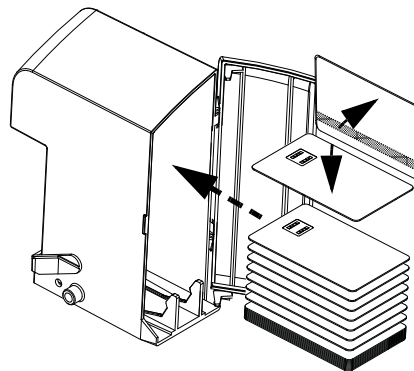
Step 4. Push the stack back and forth to an angle of about 45° from vertical, so as to separate all of the cards.



Note • Static charges and edge burrs from the card die-cutting process can render individual cards stuck together with significant adhesion force. These cards *must be* physically separated from each other before inserting into the feeder; if not separated, feeding or printing problems may occur.

Step 5. Restore the card stack to its original squared-off condition.

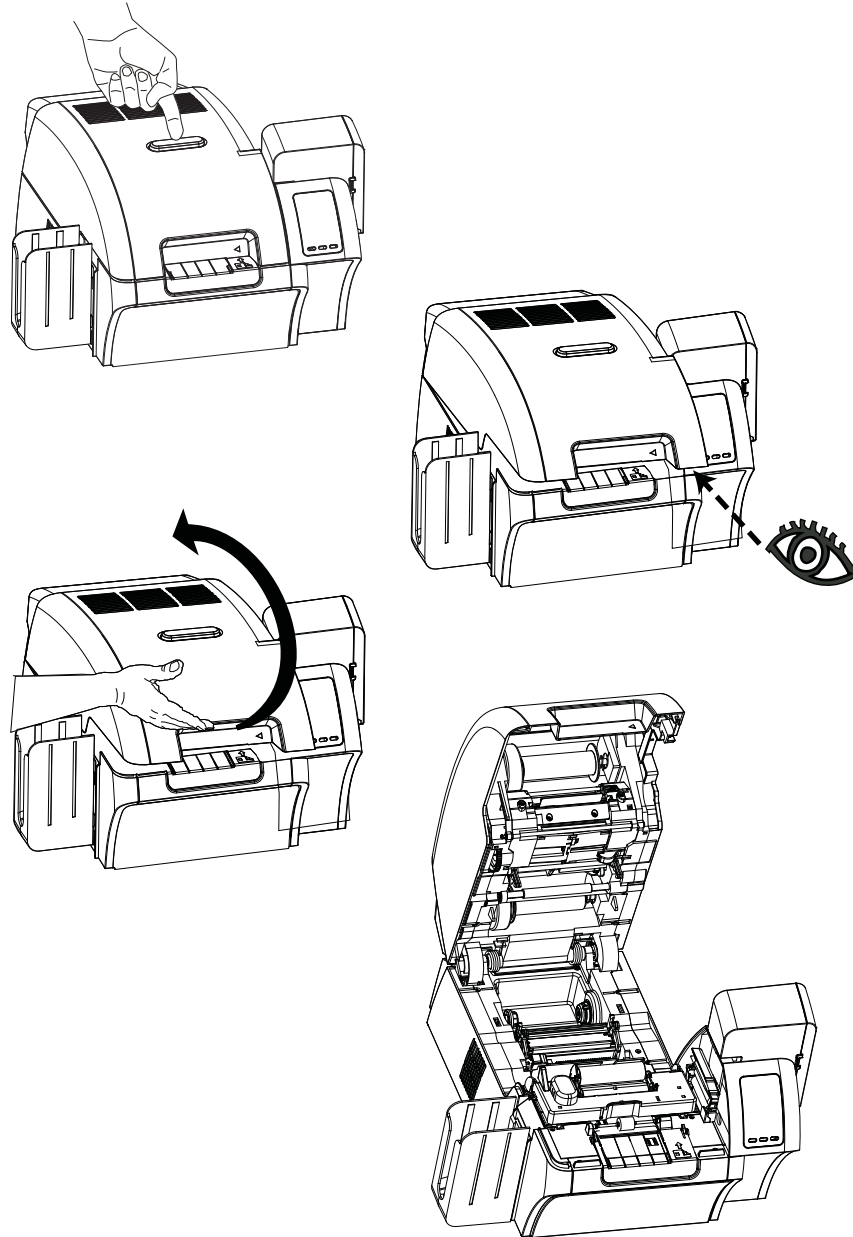
Step 6. Place the cards in the Input Hopper in the correct orientation as shown. Ensure that the cards are seated properly the hopper.



Step 7. Close the Input Hopper Door.

Opening the Printer Door

Step 1. Press the Door Release button on the top of the Printer.



Step 2. Observe that the Door releases and pops up approximately half an inch.

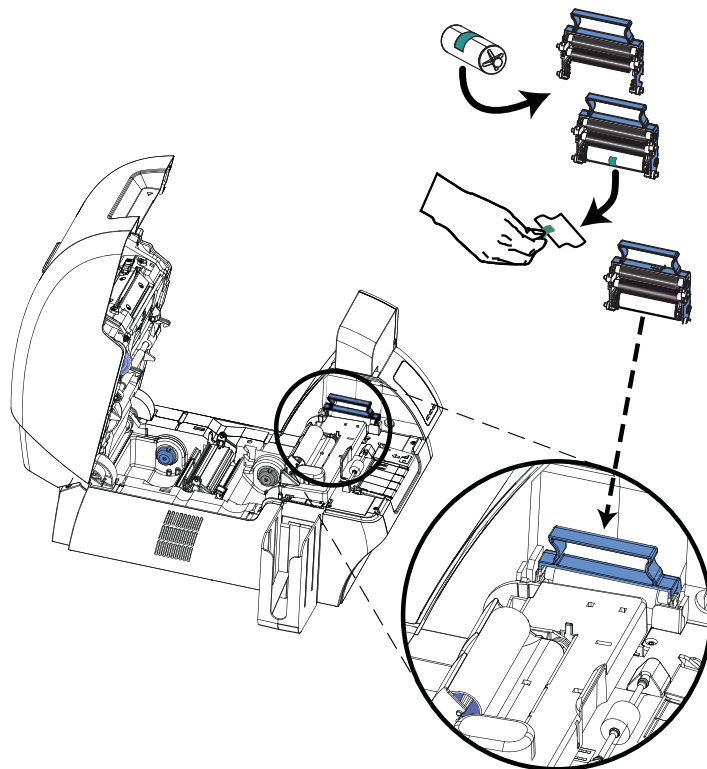
Step 3. Grasp the Door at the bottom front.

Step 4. Lift the Door to its upright position. It will remain in that position.

Installing the Card Cleaning Cartridge

The Card Cleaning Cartridge cleans the cards entering the Printer from the Input Hopper. The Card Cleaning Cartridge consists of a Cartridge Frame and an Adhesive Roller, which are packed together.

- Step 1.** Remove the Cartridge Frame and the Adhesive Roller from their packaging.
- Step 2.** Insert the Adhesive Roller into the Cartridge Frame. To avoid contamination, always hold the frame and the roller by the ends.
- Step 3.** Peel the protective wrapper from the Adhesive Roller.
- Step 4.** Open the Printer Door by pressing the Door Release button on the top of the Printer.
- Step 5.** Locate the area where the Card Cleaning Cartridge will be installed (adjacent to the Input Hopper); circled below.



- Step 6.** Hold the Card Cleaning Cartridge by the extended handle.
- Step 7.** With the cartridge at about a 30° angle (pointing downward), insert the lip of the cartridge into the slot, until the cartridge seats against the back wall.
- Step 8.** Press the front of the cartridge down until it seats all the way down and latches.
- Step 9.** Close the Printer's Door.