



RFID Guidelines

This chapter provides an overview of how RFID works and the ZPL commands used to create RFID labels.

Contents

Overview	62
Transponder Placement	62
ZPL II Commands for RFID	63
Sample of RFID Programming	70

Overview

The R110XiIIIplus “smart” label printer-encoders serve as dynamic tools for both printing and encoding RFID labels, tickets, and tags. The printer encodes information on ultra-thin UHF RFID transponders embedded in “smart” labels. It then immediately verifies proper encoding and prints bar codes, graphics, and/or text on the label’s surface. For more information about RFID media, see *RFID “Smart” Labels* on page 16.

Function of an encoded “smart” label depends on factors such as where the label is placed on an item as well as on the contents of the item (such as metals or liquids). Contact the supplier of your RFID transponders for assistance with these types of issues.

Transponder Placement

Communication between the “smart” label and the printer is established when the transponder lines up with the printer’s antenna. The optimal transponder position varies with the transponder size, its configuration, and the type of RFID IC chip used.

Print quality may be affected by printing directly over the transponder. In particular, there is an area on each label immediately around the location of the IC chip where the printer may print with low quality. Design your printed label around the location of the chip in the type of approved “smart” label that you select. For the list of approved transponders and related placement specifications, go to <http://www.rfid.zebra.com/r110.htm>.



Important • It is important to use transponders that have been specifically approved for use in this RFID printer. Failure to do so may result in the inability to read or write to the embedded RFID tags. As new transponders become commercially available, Zebra will evaluate them for compatibility with this printer. For the list of approved transponders, go to <http://www.rfid.zebra.com/r110.htm>.

ZPL II Commands for RFID

Printing and encoding (writing) of “smart” labels is handled through the use of Zebra Programming Language (ZPL). Each transponder has memory that can be read from through ZPL commands, and most transponders have memory that can be written to. The printer divides the ZPL commands that it receives into two categories: RFID and non-RFID (such as the printing commands for bar codes or human-readable text). The RFID commands are executed first.

ZPL commands also provide for exception handling, such as setting the number of read/write retries before declaring a transponder defective. For example, if an RFID transponder fails to program correctly or cannot be detected, the printer ejects it and prints the word “VOID” across the label. This process continues for the number of RFID tags specified by the ^RS command using the same data and format.

The following pages provide the ZPL II commands that can be used for RFID applications.



Important • If a parameter is designated as *not applicable*, any value entered for the parameter will be ignored, but the place holder for the field is required.

^HV

Host Verification

Description This command is used to return data from specified fields, along with an optional ASCII header, to the host. It can be used with any field that has been assigned a number with the ^RT command.

Format ^HV#, n, h

The following table identifies the parameters for this format.

Parameters	Details
# = field number specified with another command	The value assigned to this parameter should be the same as the one used in the ^RT command. <i>Accepted values:</i> 0 to 9999 <i>Default value:</i> 0
n = number of bytes to be returned	<i>Accepted values:</i> 1 to 256 <i>Default value:</i> 64
h = header	Header (in uppercase ASCII characters) to be returned with the data. <i>Acceptable values:</i> 0 to 3072 characters <i>Default value:</i> none

^RS

RFID Setup



Important • Use care when using this command in combination with ^RT (reading tag data). Problems can occur if the data read from the tag is going to be printed on the label. Any data read from the transponder must be positioned to be printed above the read/write position. Failure to do this will prevent read data from being printed on the label.

Description The ^RS command moves the RFID tag into the effective area for reading or writing or for possible error handling if there is an error.

Format ^RS*t, p, v, n, e*

The following table identifies the parameters for this format.

Parameters	Details
t = tag type	<p><i>Accepted values:</i></p> <ul style="list-style-type: none"> 1 = Auto detect (automatically determine the tag type by querying the tag) <p><i>Default value:</i> 1</p>
p = read/write position of the transponder in the vertical (Y axis) in dot rows from the top of the label	<p>Set to 0 (no movement) if the transponder is already in the effective area without moving the media.</p> <p><i>Accepted values:</i> 0 to label length</p> <p><i>Default value:</i> label length minus 8 dot rows</p>
v = length of void printout in vertical (Y axis) dot rows	<p><i>Default value:</i> label length</p> <p><i>Accepted values:</i> 0 to label length</p>
n = number of labels to try in case of read/encode failure	<p><i>Default value:</i> 3</p> <p><i>Accepted values:</i> 1 to 10 (number of labels)</p>
e = error handling	<p>If an error persists after the specified number of labels are tried, perform this error handling action.</p> <p><i>Accepted values:</i></p> <ul style="list-style-type: none"> N = No action (printer drops the label format causing the error and moves to the next queued label) P = Place printer in Pause mode (label format stays in the queue until the user cancels) E = Place printer in Error mode (label format stays in the queue until the user cancels) <p><i>Default value:</i> N</p> <p>Note • You can set the printer to send an error message to the host as an unsolicited message for each failure. To enable or disable the unsolicited error message, refer to the ^SX and ^SQ ZPL commands. The parameter for the RFID error in these commands is V.</p>

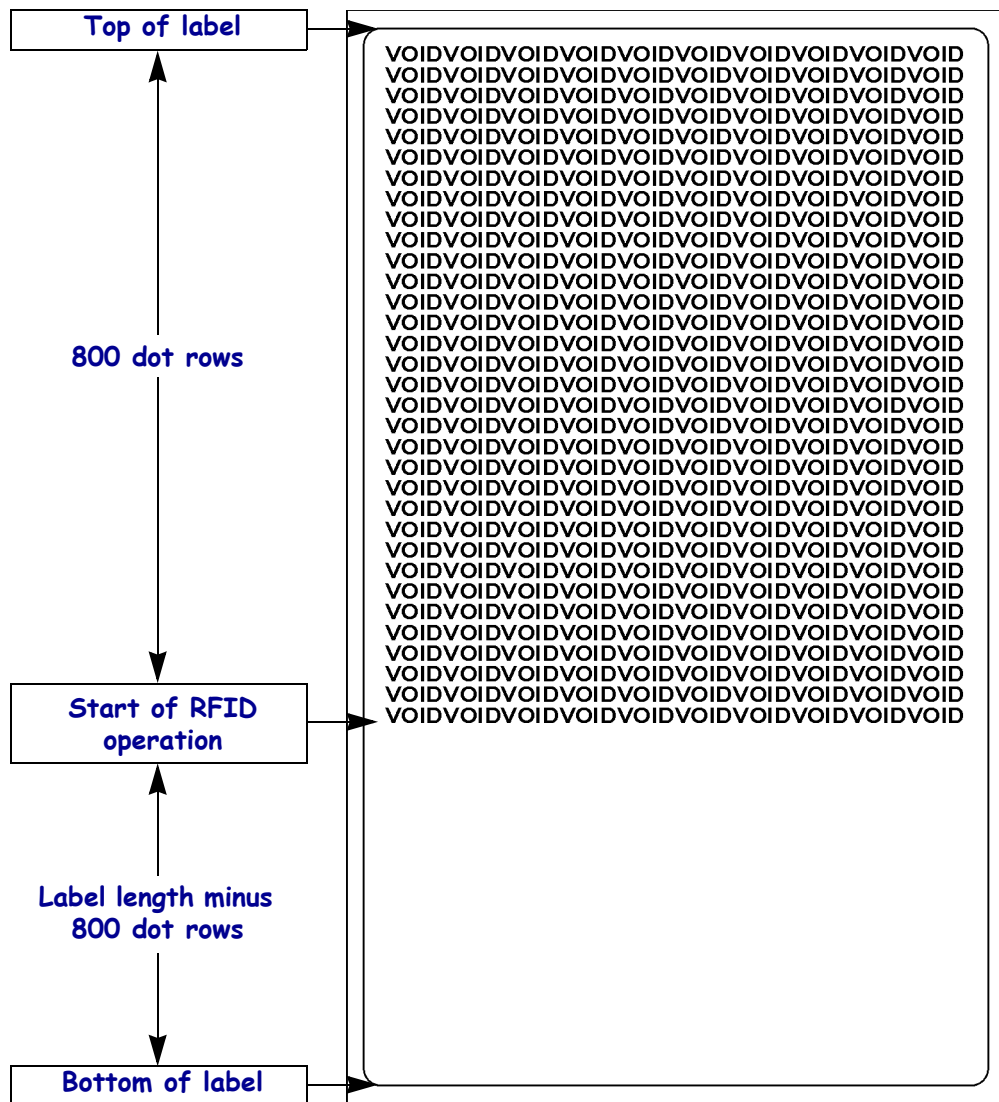


Example 1 • This example sets the printer to move the media to 800 dots from the top of the media [or label length minus 800 from the bottom (leading edge) of the media] and voids the rest of the media in case of an error. The printer will try to print two labels, then will pause the printer if printing and encoding fail.

```

^XA
^RS,800,,2,P^FS
^XZ
  
```

The following illustration shows the resulting voided label. Note where the void starts. The media has been moved 800 dot rows from the top of the label (label length minus 800 dot rows from the bottom (leading edge) of a label) to bring the transponder into the effective area to read/write a tag. If the printer fails the operation, the rest of the media is voided.



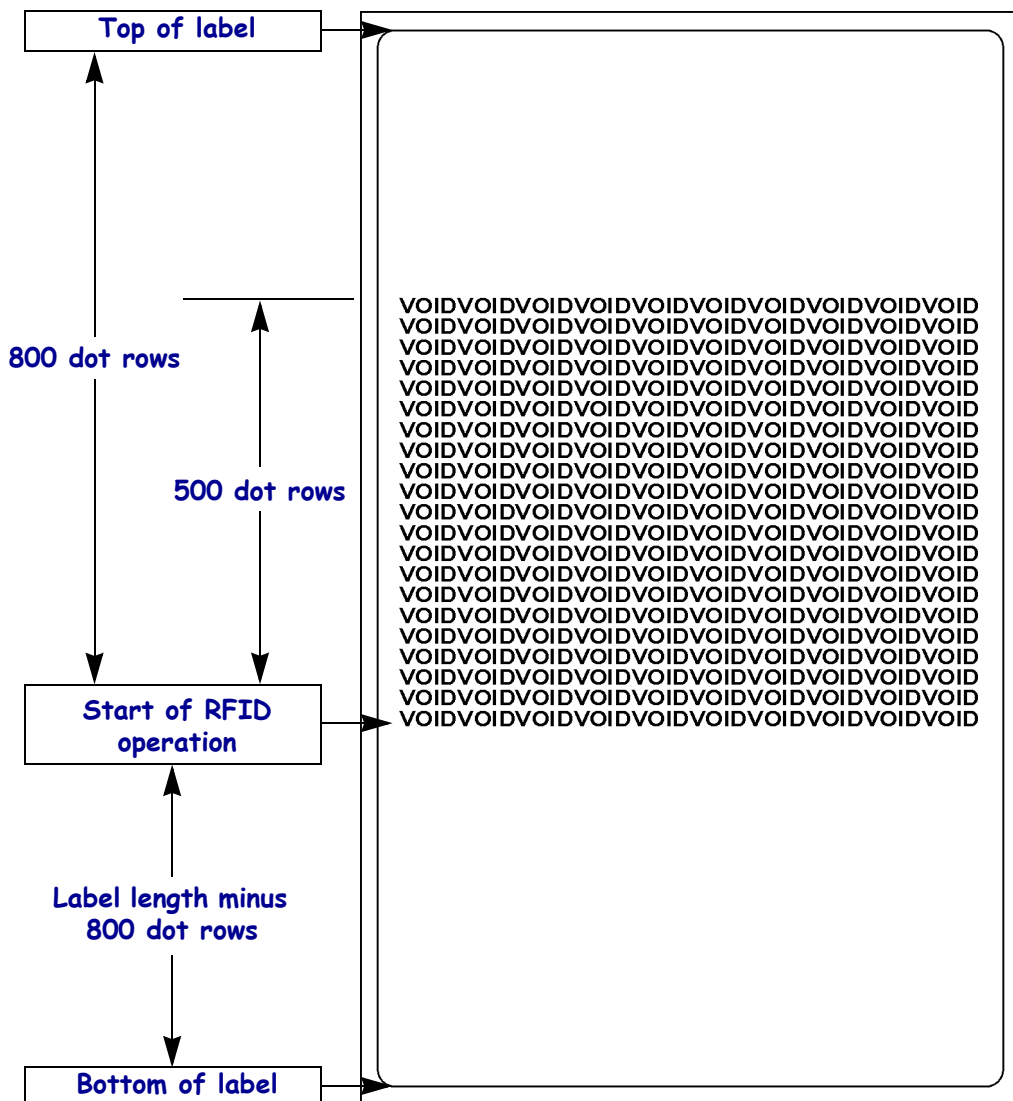


Example 2 • This example sets the printer to move the media to 800 dots from the top of the media [or label length - 500 from the bottom (leading edge) of the media] and prints “void” 500 dots in vertical length (Y axis) in case of an error.

```

^XA
^RS,800,500,2,P^FS
^XZ
  
```

The following illustration shows the resulting voided label. Note where the void starts. The media has been moved 800 dot rows from the top of the label [label length minus 800 dot rows from the bottom (leading edge) of a label] to bring the transponder into the effective area to read/write a tag. If the printer fails the operation, an area that is 500 dot rows of the media is voided instead of the entire rest of the media.



^RT

Read Tag

Description The ^RT command tells the printer to read the current RFID tag data. The data can be sent back to the host via the ^HV command.

Format ^RT#,b,n,f,r,m,s

The following table identifies the parameters for this format.

Parameters	Details
# = number to be assigned to the field	<i>Accepted values:</i> 0 to 9999 <i>Default value:</i> 0
b = starting block number*	<i>Accepted values:</i> 0 to <i>n</i> , where <i>n</i> is the maximum number of blocks for the tag. <i>Default value:</i> 0
n = number of blocks to read*	<i>Accepted values:</i> 1 to <i>n</i> , where <i>n</i> is the maximum number of blocks minus the starting block number. For example, if the tag has 8 blocks (starting with block 0) and you start with block 6, <i>n</i> can be 2. This would give you block 6 and block 7 information. <i>Default value:</i> 1
f = format	<i>Accepted values:</i> <ul style="list-style-type: none"> • 0 (ASCII) • 1 (Hexadecimal) <i>Default value:</i> 0
r = number of retries	<i>Accepted values:</i> 0 to 10 <i>Default value:</i> 0
m = motion	<i>Accepted values:</i> <ul style="list-style-type: none"> • 0 (Feed label after writing.) • 1 (No Feed after writing. Other ZPL may cause a feed.) <i>Default value:</i> 0
s = special mode	For EPC Class 1 (Alien reader) only. Not applicable for EPC class 0. <i>Default value:</i> 0 (Do not read if mismatched checksum.) <i>Accepted values:</i> 1 (Read even if mismatched checksum.)

*Not applicable for R110XiIIIplus



Example • This sample reads a tag, prints the data on a label, and sends the string Tag Data : xxxxxxxx back to the host. The data read will go into the ^FN1 location of the format. The printer will retry the command five times, if necessary.

```

^XA
^FO20,120^A0N,60^FN1^FS
^RT1,,,5^FS
^HV1,,Tag Data:^FS
^XZ

```


^WT

Write Tag



Note • Check the amount of data memory available for the tag that you will be using. If more is sent than the memory can hold, the data will be truncated.

Description The ^WT command allows you to program the current RFID tag.

Format ^WT**b, r, m, w, f, v**

The following table identifies the parameters for this format.

Parameters	Details
b = block number	<p><i>Accepted values:</i></p> <ul style="list-style-type: none"> • 0 (ID data/EPC) • 1 (User data) <p><i>Default value:</i> 0</p>
r = number of retries	<p><i>Accepted values:</i> 0 to 10</p> <p><i>Default value:</i> 0</p>
m = motion	<p><i>Accepted values:</i></p> <ul style="list-style-type: none"> • 0 (Feed label after writing.) • 1 (No Feed after writing. Other ZPL may cause a feed.) <p><i>Default value:</i> 0</p>
w = write protect	<p><i>Accepted values:</i></p> <ul style="list-style-type: none"> • 0 (Not write protected.) • 1 (Write protect.) <p><i>Default value:</i> 0</p>
f = data format	<p><i>Accepted values:</i></p> <ul style="list-style-type: none"> • 0 (ASCII) • 1 (Hexadecimal) <p><i>Default value:</i> 0</p>
v = verify valid data*	<p><i>Default value:</i> y</p> <p><i>Accepted values:</i></p> <ul style="list-style-type: none"> • n (Do not verify) • y (Verify valid data [Hex A5A5 in the first two bytes] before writing)

*Not applicable for R110XiIIIplus



Example • This sample encodes data “RFIDRFID” and will try writing up to five times, if necessary.

```
^XA
^WT,5^FDRFIDRFID^FS
^XZ
```

Sample of RFID Programming

ZPL II is Zebra's label design language. ZPL II lets you create a wide variety of labels from the simple to the very complex, including text, bar codes, and graphics.

This section is not intended as an introduction to ZPL II. If you are a new ZPL II user, order the *ZPL II Programming Guide* (part number 46530L) or go to <http://support.zebra.com> to download the guide.

For your programming, do the following:

1. Set up the printer and turn the power On (I).
2. Use any word processor or text editor capable of creating ASCII-only files (for example, use Microsoft® Word and save as a .txt file) and type in the label format exactly as shown in the sample label format shown in [Table 7](#).
3. Save the file in a directory for future use. Use the “.zpl” extension.
4. Copy the file to the printer.

From the DOS command window, use the “COPY” command to send a file to the Zebra printer. For example, if your file name is **format1.zpl** then type,
COPY FORMAT 1.ZPL XXXX
where XXXX is the port to which your Zebra printer is connected (such as LPT1).

5. Compare your results with those shown. If your printout does not look like the one shown, confirm that the file you created is identical to the format shown, then repeat the printing procedure. If nothing prints, refer to
 - [Printer Setup on page 7](#)
 - [Printer Operation on page 21](#)
 - [Front Panel Controls on page 41](#)
 - [Troubleshooting on page 99](#)to make sure that your system is set up correctly.

Table 7 • Sample ZPL Code and Results

Line Number	Type This Label Format	Resulting Printout
1	^XA	ZEBRA
2	^RS,0^FS	5A65627261000000
3	^WT^FDZebra^FS	
4	^FO100,100^A0n,60^FN0^FS	
5	^FO100,200^A0n,40^FN1^FS	
6	^RT0^FS	
7	^RT1,,,1^FS	
8	^XZ	

Line 1 Indicates start of label format.

Line 2 Indicates no movement for media.

Line 3 Writes the data “Zebra” to the tag.

Line 4 Print field number ‘0’ at location 100,100.^FN0 is replaced by what we read on line 6.

Line 5 Print field number ‘1’ at location 100,200. ^FN1 is replaced by what we read on line 7.

Line 6 Read Tag into field number 0 in ASCII format (default).

Line 7 Read Tag into field number 1 in hexadecimal format.

Line 8 End of label format.



Data Ports

This chapter describes the standard communication ports available to connect the printer to your computer or network.

Contents

Parallel Port	74
Serial Port	76
Serial Pin Configuration	77
RS-232 Interface Connections	78
RS-422/RS-485 Interconnections	80
USB 2.0 Port	81

Parallel Port

When communicating via the parallel port, the values selected must be the same as those used by the host equipment connected to the printer. Port selection for status information is determined by the channel sending the request. The parallel port can be set for bidirectional or unidirectional communication. The default setting is bidirectional.

A standard 36-pin parallel connector (Figure 30) is available on the back of the printer for connection to the data source.

Figure 30 • Parallel Connector

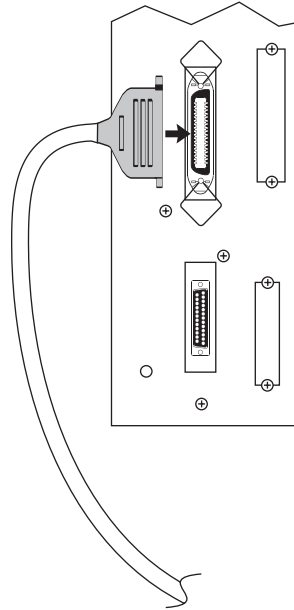


Table 8 shows the pin configuration and function of a standard computer-to-printer parallel cable.

Table 8 • Parallel Cable Pin Configuration

36-Pin Connectors	Description
1	nStrobe/HostClk
2–9	Data Bits 1–8
10	nACK/PtrClk
11	Busy/PtrBusy
12	PError/ACKDataReq
13	Select/Xflag
14	nAutoFd/HostBusy
15	Not used
16, 17	Ground

Table 8 • Parallel Cable Pin Configuration (Continued)

36-Pin Connectors	Description
18	+5 V at 750 mA The maximum current draw may be limited by option configuration.
19–30	Ground
31	ninit
32	nFault/NDataAvail
33, 34	Not used
35	+5 V through a 1.8 K Ω Resistor
36	NSelectin/1284 active

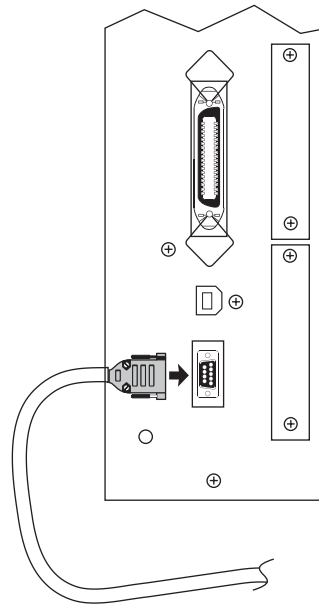
Serial Port

To communicate using the serial data port of the printer, you must choose the number of data and stop bits, parity, and handshaking. Parity applies only to data transmitted by the printer because the parity of received data is ignored.

The values selected must be the same as those used by the host equipment connected to the printer. Default settings are 9600 baud, 8 data bits, 1 stop bit, no parity, and XON/XOFF.

Connect the serial data cable to the female DB-9 connector (Figure 31) on the back panel of the printer.

Figure 31 • Serial Connector



Use a DB-9 to DB-25 interface module for all RS-232 connections through a DB-25 cable. An interface module is required for RS-422/RS-485 interface support (see [RS-422/RS-485 Interconnections](#) on page 80).



Note • For all RS-232 input and output signals, the printer follows the specifications of the Electronics Industries Association (EIA) RS-232 and the Consultative Committee for International Telegraph and Telephone (CCITT) V.24.

Serial Pin Configuration

Table 9 shows the pin configuration and function of the rear panel serial data connector on the printer.

Table 9 • Serial Connector Pin Configuration

Pin No.	Name	Description
1	—	Not connected
2	RXD	Receive data—data input to printer
3	TXD	Transmit data—data output from printer
4	DTR	Data terminal ready—output from printer
5	SG	Signal ground
6	DSR	Data set ready—input to printer
7	RTS	Request to send—output from printer
8	CTS	Clear to send—input to printer
9	+5 VDC	+5 VDC at 750 mA The maximum current draw may be limited by option configuration.

RS-232 Interface Connections



- Note** • Adapters are available from Zebra Technologies LLC.
- RS-422/RS-485 adapter, Zebra part number 33114M
 - RS-232 DB-9 to DB-25 adapter, Zebra part number 33109M

Direct Connection to a Computer

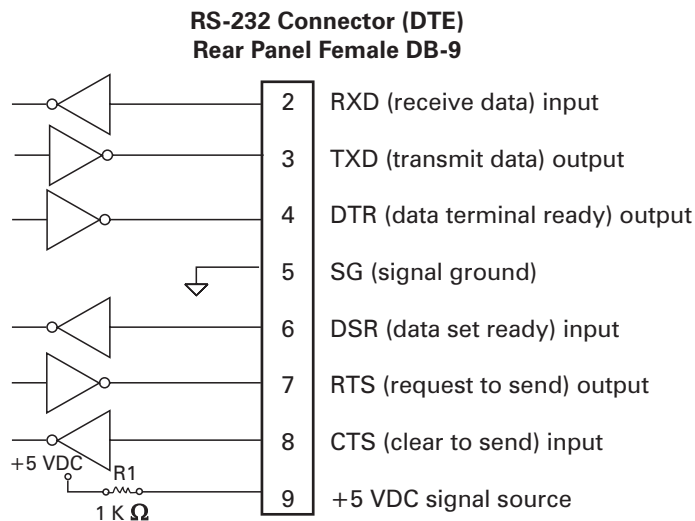
The printer is configured as Data Terminal Equipment (DTE).



- Note** • Use a **null modem** (crossover) cable to connect the printer to a computer or any other DTE device.

Figure 32 shows the internal connections of the printer's RS-232 connector.

Figure 32 • RS-232 Connections



NOTE: Pin 1 is unused and unterminated.

Pin 9 is also available as a +5 VDC signal source at 750 mA. The maximum current draw may be limited by option configuration.

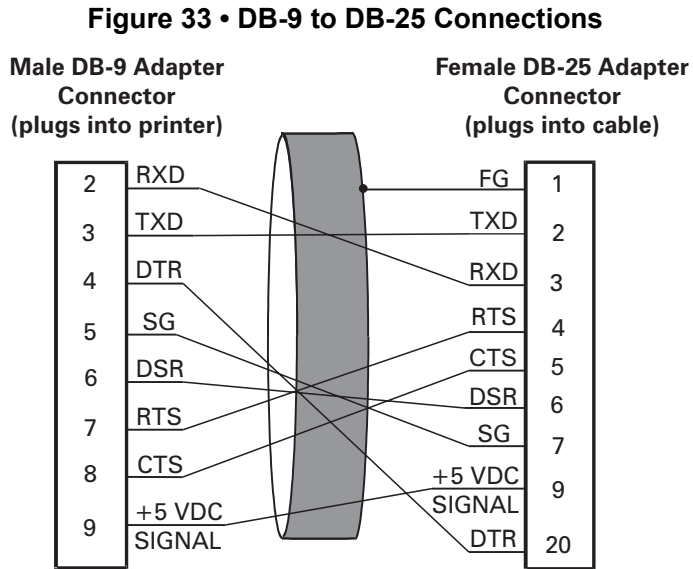


Caution • To enable this capability, a qualified service technician must install a jumper on the printer's main logic board on JP1, pins 2 and 3.

DB-9 to DB-25 Connections

An interface adapter is required (Zebra part number 33109M) to connect the printer's DB-9 interface to a DB-25 connector. A generic DB-25 adapter CAN be used, although the +5 VDC signal source would not be passed through the adapter.

Figure 33 shows the connections required for the DB-9 to DB-25 interface.

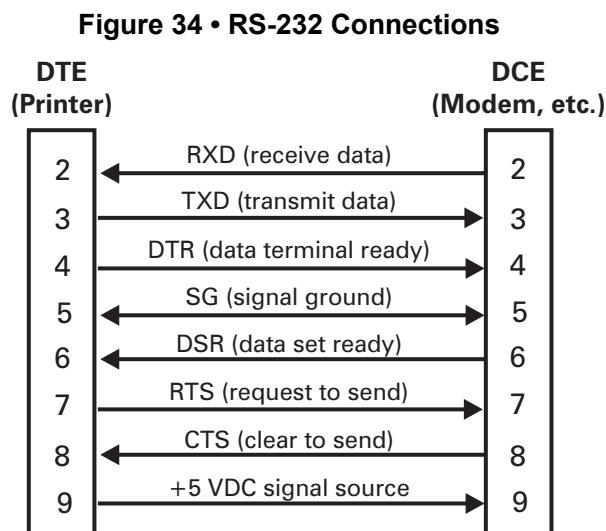


NOTE: Pin 1 of DB-9 connector is unused and unterminated.

Modem Connection

When the printer is connected via its RS-232 interface to Data Communication Equipment (DCE) such as a modem, use a standard RS-232 (straight-through) interface cable.

Figure 34 shows the connections required for this cable.



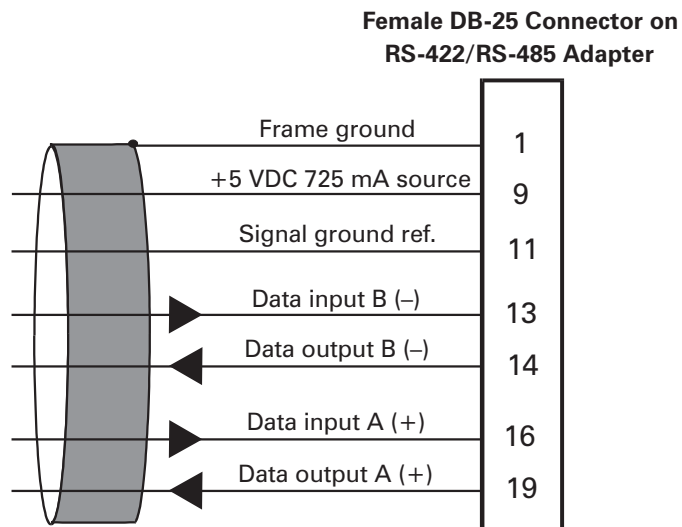
NOTE: Pin 1 is unused and unterminated at the printer.

RS-422/RS-485 Interconnections

Caution • A qualified service technician must install a jumper on the printer's main logic board at JP1, pins 2 and 3, for the RS-422/RS-485 interface adapter to function properly.

An interface adapter (Zebra part number 33114M) is required to connect the printer's RS-232 DB-9 interface to a host computer through an RS-422 or RS-485 interface. A generic DB-25 adapter can be used. [Figure 35](#) shows the cable wiring for interconnecting the DB-9 to the interface adapter's DB-25 female connector.

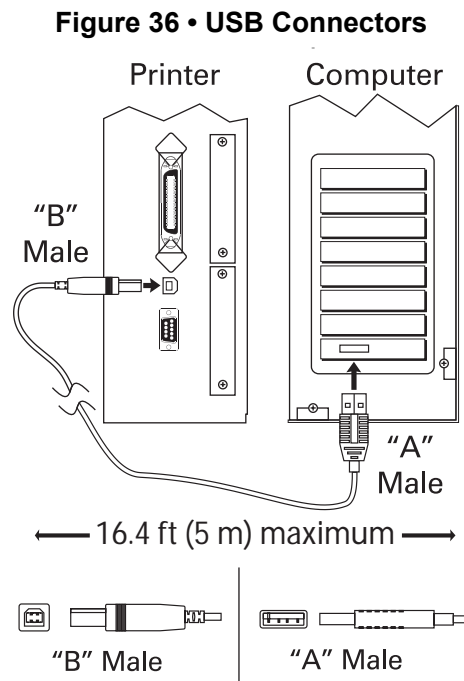
Figure 35 • DB-9 to DB-25 Connections



NOTE: Pins 2–8, 10, 12, 15, 17, 18, and 20–25 are unused and unterminated.

USB 2.0 Port

A USB 2.0 port (which is USB 1.1 and 1.0 compatible) is available to connect your printer to the host equipment. The industry-standard USB cable has an A-male connector on one end and a B-male connector on the other end as shown in [Figure 36](#).



Note • Use a USB 2.0-certified compliant cable no longer than 16.4 ft (5 m) long. A cable that meets these requirements is available from Zebra (part number 33011).



Memory Cards

This chapter describes the optional cards that can be used with the printer and gives instructions for installation.

Contents

PCMCIA Memory Card	84
CompactFlash Card	86

PCMCIA Memory Card

A Type 1- or Type II-compliant PCMCIA memory card holds extra memory or font options for the printer. The card is hot-swappable (it can be installed while the printer is on).

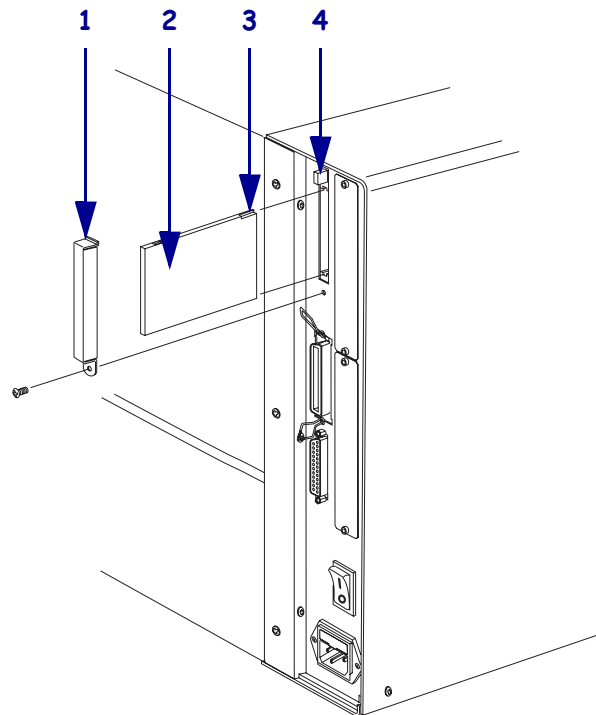


Electrostatic Discharge Caution • Observe proper electrostatic safety precautions when handling any static-sensitive components such as circuit boards and printheads.

To install the PCMCIA card, complete these steps:

1. Remove the PCMCIA card shield from the rear of the printer (Figure 37).

Figure 37 • PCMCIA Card Installation



1	PCMCIA card shield
2	PCMCIA card
3	Notch
4	Card-eject button

2. Insert the PCMCIA card, with the notch **up**, into the card slot as shown. Insert it far enough to make the eject button pop out.

3. Reinstall the PCMCIA card shield over the PCMCIA card and card slot.



Note • The PCMCIA card may take a few minutes to initialize. The PAUSE light flashes while the card initializes. If the card is already initialized, the PAUSE light flashes only once or twice after the card is installed.

The printer is ready to operate with the additional memory or font option. To be sure that the card has successfully initialized, print a configuration label as instructed in [Print a Printer Configuration Label on page 31](#) and review it to see whether the new memory card information is listed.

CompactFlash Card

A CompactFlash card is a nonvolatile memory card that stores data even when the power to the printer is turned off. A Type I-compliant CompactFlash card holds extra memory or optional fonts for your printer.



Caution • This procedure should only be performed by qualified service technicians.

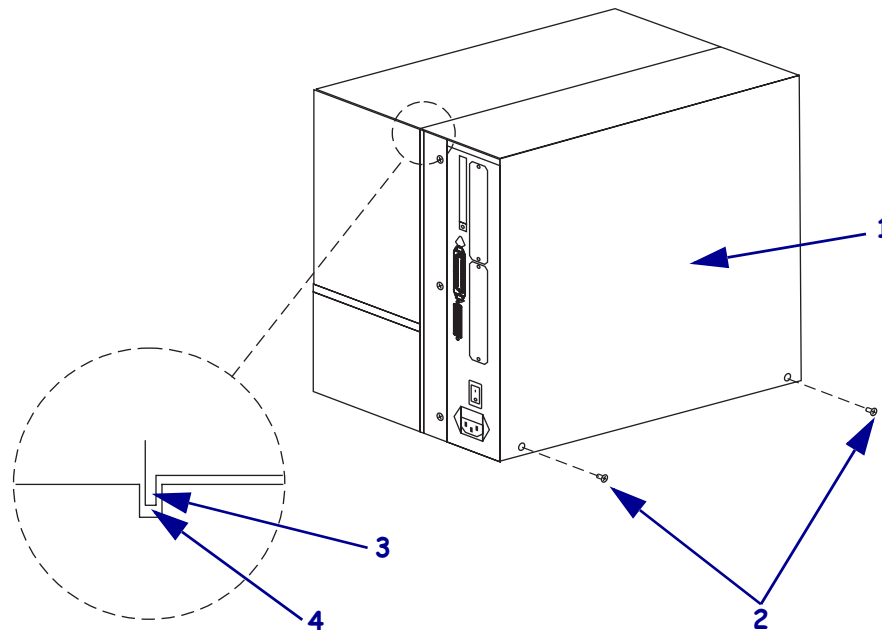


Electrostatic Discharge Caution • Observe proper electrostatic safety precautions when handling any static-sensitive components such as circuit boards and printheads.

To install a CompactFlash card, complete these steps:

1. Turn the AC power Off (O).
2. Disconnect the AC power cord from the printer.
3. Remove the two screws near the bottom of the electronics cover (Figure 38).

Figure 38 • Printer Exterior



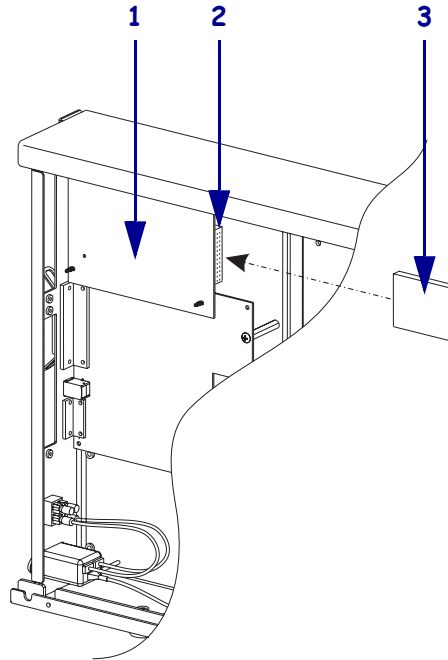
1	Electronics cover
2	Screws
3	Channel
4	Lip of cover

4. Lift the electronics cover at the rear top corner. Pull the corner forward and up, then lift the cover up and away from the printer.

5. Insert the CompactFlash card into the card slot on the upper portion of the option board. Insert the card with the back (unlabeled) side of the card facing out. The card can be inserted only one way and should snap into place.

Figure 39 shows where to insert the CompactFlash card.

Figure 39 • Compact Flash Card Insertion



1	Option board
2	Card slot
3	Compact flash card

6. Reinstall the electronics cover by lowering the cover so the lip of the cover goes into the channel on the top of the printer.
7. Secure the cover by reinstalling the two screws near the bottom of the cover.
8. Reconnect the printer AC power cord.
9. Press and hold **CANCEL** while turning the printer On (**I**).
The printer prints a configuration label.
10. Check for the presence of additional memory or optional fonts by looking at the information on the configuration label.



Note • The CompactFlash card may take a few minutes to initialize. If the process is not successfully completed within 10 minutes, contact Technical Support at http://www.zebra.com/SS/service_support.htm for assistance.



Routine Maintenance

Cleaning your printer regularly maintains print quality and may extend the life of the printer. This section provides routine cleaning and maintenance procedures.

Contents

Cleaning Schedule	90
Clean Exterior	90
Clean Interior	91
Printhead and Platen Roller	91
Sensors	93
Snap Plate	95
Replace Fuse	96

Cleaning Schedule

The recommended cleaning schedule is shown in [Table 10](#). See the following pages for specific procedures.

Caution • Use only the cleaning agents indicated. Zebra is not responsible for damage caused by any other fluids being used on this printer.

Table 10 • Recommended Printer Cleaning Schedule

Area	Method	Interval
Printhead	Solvent*†	Perform these procedures at the following times:
Platen roller	Solvent*	• When CLEAN HEAD NOW appears.
Transmissive (media) sensor	Air blow	• Direct Thermal Print Mode: After every roll of labels or 500 ft (150 m) of fanfold labels.
Media path	Solvent*	• Thermal Transfer Print Mode: After every roll
Ribbon sensor	Air blow	(1500 ft or 450 m) of ribbon.
Label-available sensors	Air blow	Monthly
Tear-off bar	Solvent*	
Snap plate	Solvent*	As needed

* Use Zebra's Preventative Maintenance kit, part number 47362, or a solution of 90% isopropyl alcohol and 10% deionized water.

Clean Exterior

Clean the outside surfaces of the printer with a lint-free cloth. Use a mild detergent solution or desktop cleaner sparingly, as needed.

Caution • Do not use harsh or abrasive cleaning agents or solvents.

Clean Interior

After every four rolls of media, inspect the inside of the printer. Use a soft bristle brush or a vacuum cleaner to remove any dirt and lint from the interior of the printer.

Printhead and Platen Roller

After every roll of ribbon, clean the printhead. Clean the printhead more often if you see inconsistent print quality, such as voids in the bar code or graphics.

Clean after every roll (1500 feet or 450 m) of thermal transfer ribbon or after every roll (500 feet or 150 m) of direct thermal labels or when **CLEAN HEAD NOW** appears on the LCD.



Note • You do not need to turn off the printer before cleaning the printhead. If power is turned off, all label formats and images, as well as any temporarily saved parameter settings stored in the printer's internal memory, are lost. When power is turned back on, these items must be reloaded.

If print quality does not improve after you perform this procedure, clean the printhead with *Save-a-Printhead* cleaning film. This specially coated material removes contamination buildup without damaging the printhead. Call your authorized Zebra reseller or distributor for more information.



Caution • The printhead is hot and can cause severe burns. Allow the printhead to cool.

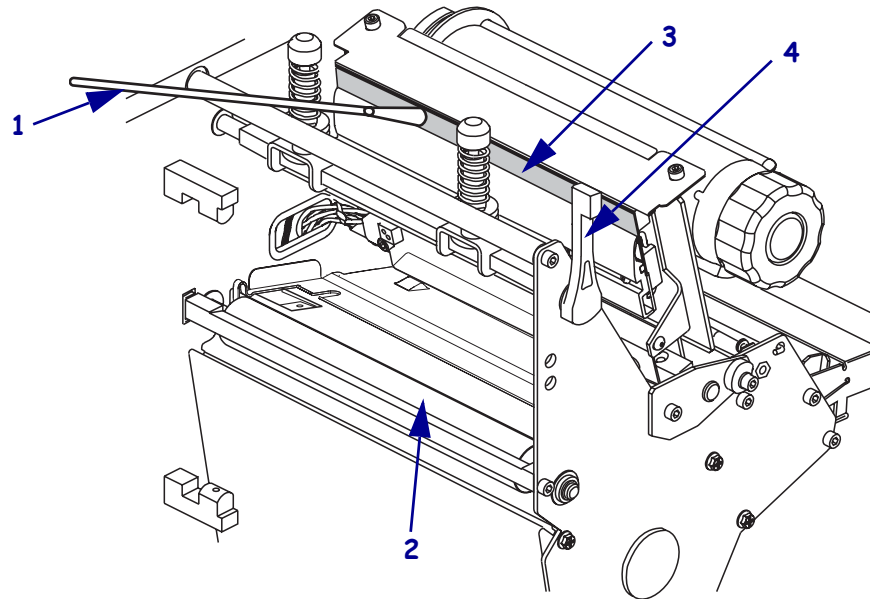


Caution • Observe proper electrostatic safety precautions when handling any static-sensitive components such as circuit boards and printheads.

To clean the printhead and platen roller, complete these steps:

1. Open the printhead.
2. Remove the media and ribbon (if loaded).
3. Use Zebra's Preventative Maintenance kit, part number 47362, or a solution of 90% isopropyl alcohol and 10% deionized water on an applicator to wipe along the print elements from end to end, as shown in [Figure 40](#). (The print elements are on the brown strip on the printhead.) Allow a few seconds for the solvent to evaporate.

Figure 40 • Cleaning the Printhead



1	Applicator
2	Platen roller
3	Printhead print elements
4	Printhead lever

4. Rotate the platen roller and clean thoroughly with solvent and an applicator.
5. Brush or vacuum any accumulated paper lint and dust away from the rollers.
6. Reload the media and the ribbon (if required).
7. Close the printhead.

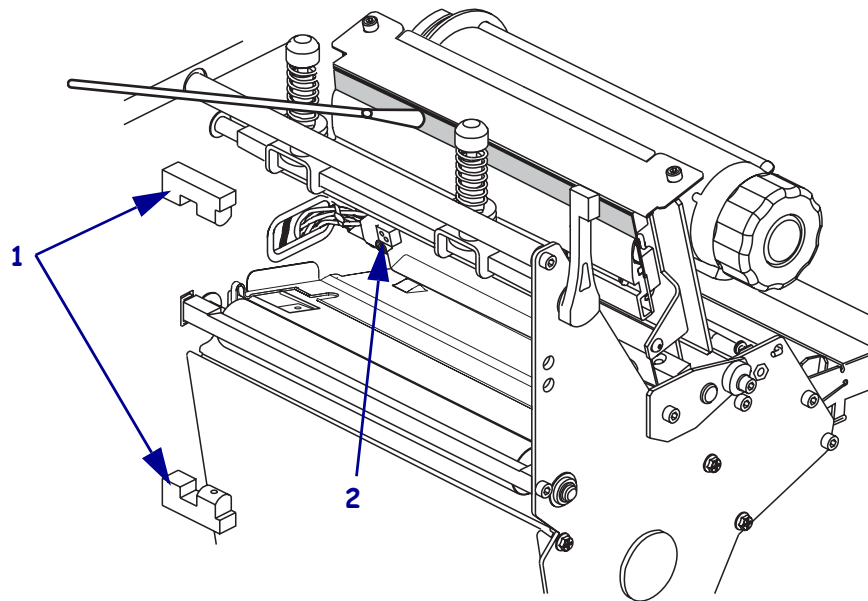
Sensors

Brush or vacuum any accumulated paper lint and dust off the sensors whenever the sensors are blocked. At minimum, clean the sensors according to the recommendations in [Cleaning Schedule](#) on page 90.

Ribbon and Label-Available Sensor Locations

The ribbon sensor and optional label-available sensor are shown in [Figure 41](#).

Figure 41 • Sensor Locations

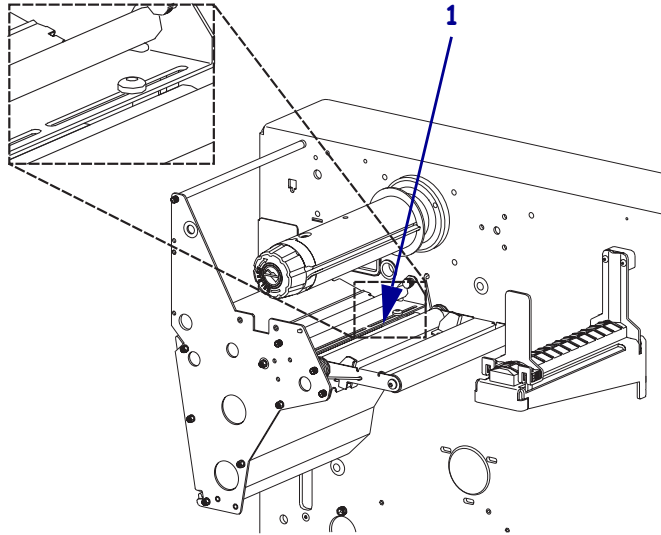


1	Label-available sensors
2	Ribbon sensor

Transmissive (Media) Sensor Locations

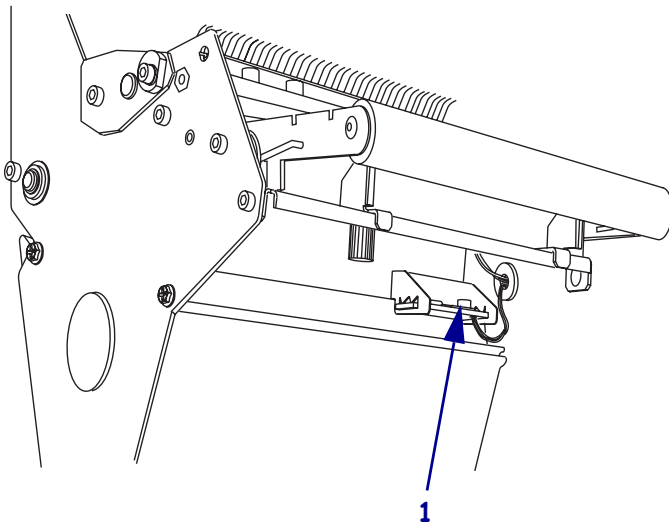
The locations of the upper and lower transmissive (media) sensors are shown in [Figure 42](#) and [Figure 43](#).

Figure 42 • Upper Media Sensor



1	Upper media sensor
----------	--------------------

Figure 43 • Lower Media Sensor

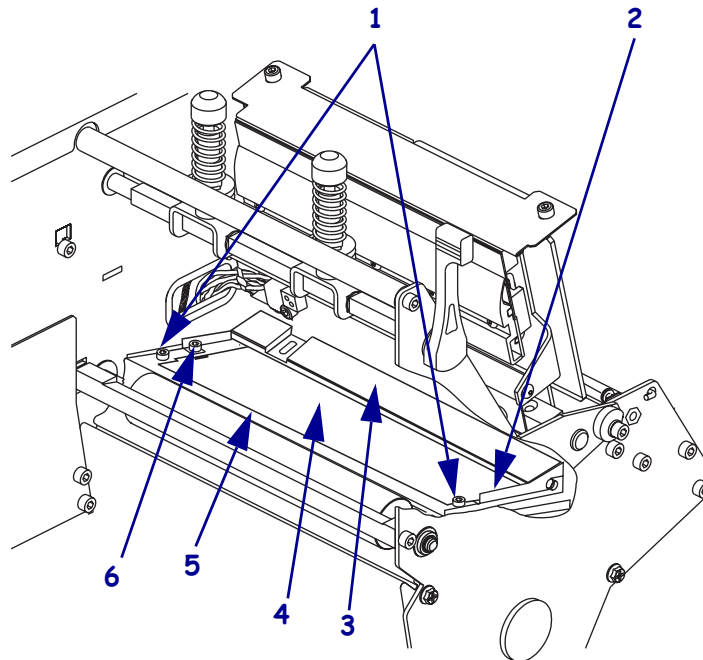


1	Lower media sensor
----------	--------------------

Snap Plate

Clean the snap plate when label adhesive or a label is stuck to the underside. [Figure 44](#) shows the location of the snap plate.

Figure 44 • Snap Plate



1	Antenna support screws
2	Location of right-side snap plate screw (screw not shown)
3	Snap plate
4	Antenna support
5	Antenna support frame
6	Left-side snap plate screw

To clean the snap plate, complete these steps:

1. Remove the two screws that secure the snap plate to the antenna support frame.



Important • Do not remove the antenna support screws.

2. Remove the snap plate from the printer.
3. Clean the snap plate with cleaning solvent and a soft cloth.
4. To reinstall the snap plate, slide it back into place until the screw holes on the snap plate line up with the screw holes in the antenna support frame.
5. Reinstall the two snap plate screws to secure the snap plate to the antenna support frame.

Replace Fuse

The R110XiIIIPlus fuse must be replaced only by an authorized service technician.



Caution • Turn the AC power switch Off (O) and remove the power cord before performing this procedure.

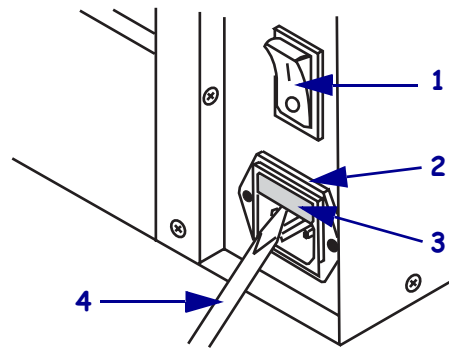
The printer uses a metric-style fuse (5 × 20 mm IEC) rated at F5A, 250 V. The AC power entry module comes with two approved fuses in the fuse holder: one is in-circuit, and the second is provided as a spare. The end caps of the fuse must bear the certification mark of a known international safety organization.

To replace a faulty fuse, complete these steps:

1. Use a small-blade screwdriver or similar tool to remove the fuse holder.

The fuse holder is part of the AC power entry module at the rear of the printer (Figure 45).

Figure 45 • AC Power Entry Module



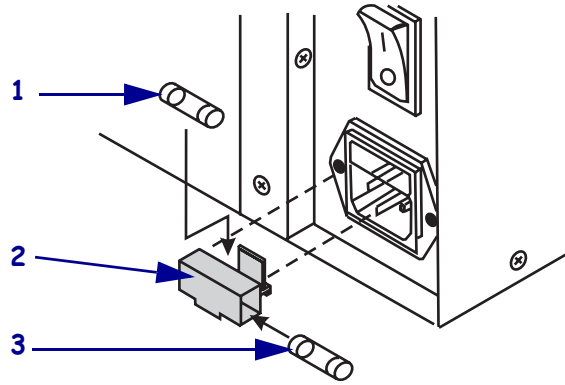
1	Power switch
2	Fuse holder
3	AC power entry module
4	Small-blade screwdriver

2. Remove the faulty fuse and install a new fuse in the in-circuit position (Figure 46).



Important • If you use the spare fuse, be sure to order a replacement fuse from your authorized Zebra distributor. The spare fuse should be the exact type and rating as the original in-circuit fuse.

Figure 46 • Fuse Locations



1	In-circuit fuse
2	Fuse holder
3	Spare fuse

3. Snap the fuse holder back into the AC power entry module.
4. Reconnect the power cord, and turn the printer On (I).



Note • If the printer does not power on, an internal component failure may have occurred, and the printer requires servicing by an authorized service technician.



Troubleshooting

This chapter provides you with information about LCD, print quality, communications, and other errors that you might need to troubleshoot.

Contents

Troubleshooting	100
LCD Error Messages	101
Print Quality Problems	104
Communications Problems	106
Printer Diagnostics	108
Power-On Self Test	108
Additional Printer Self Tests	108
Communications Diagnostics Test	112
Additional Printer Diagnostics	112

Troubleshooting

If an error condition exists with the printer, review this checklist:

- Is there an error message on the LCD? If yes, see *LCD Error Messages* on page 101 for more information.
- Is the CHECK RIBBON light on when ribbon is loaded properly, or are non-continuous labels being treated as continuous labels? If yes, see *Media and Ribbon Sensor Calibration* on page 34.
- Are you experiencing problems with print quality? If yes, see *Print Quality Problems* on page 104.
- Are you experiencing communications problems? If yes, see *Communications Problems* on page 106.

If the labels are not printing or advancing correctly, review this checklist:

- Are you using the correct type of labels? Review the types of label in *Types of Media* on page 14.
- Review the label- and ribbon-loading illustrations, starting with *Load the Printer* on page 22.
- Check the position of the media sensor and move if necessary, as shown in *Adjust and Calibrate Sensors* on page 34.
- Does the printhead need to be adjusted? See *Adjust Printhead Pressure and Toggle Position* on page 38 for more information.
- Do the sensors need to be calibrated? See *Media and Ribbon Sensor Calibration* on page 34 for more information.

If none of the above suggestions correct the problem, review this checklist:

- Perform one or more of the self-tests given in *Printer Diagnostics* on page 108. Use the results to help identify the problem.
- If you are still having problems, see *Support* on page xviii for customer support information.

LCD Error Messages

The LCD displays messages when there is an error. See [Table 11](#) for LCD errors, the possible causes, and the recommended solutions.

Table 11 • LCD Error Messages

LCD	Possible Cause	Recommended Solution
RIBBON OUT	Thermal Transfer Mode— Ribbon is not loaded or is loaded incorrectly.	Load the ribbon correctly, following directions in Load Ribbon on page 26 .
	Thermal Transfer Mode— Ribbon is loaded but the ribbon sensor is not sensing the ribbon.	Adjust the media and ribbon sensors. See Media and Ribbon Sensor Calibration on page 34 .
	Direct Thermal Mode— Ribbon is loaded.	Make sure that ribbon is not loaded and that the printer is in Direct Thermal Print Mode. See Selecting Print Method on page 45 .
	Direct Thermal Mode— Settings are incorrect.	Make sure the printer driver and software settings are compatible with Direct Thermal Print Mode.
PAPER OUT	Labels are not loaded or are loaded incorrectly.	Load the labels correctly. See Load the Printer on page 22 .
	Media Sensor is not adjusted correctly.	Check the position of the media sensors, and adjust if necessary. See Media and Ribbon Sensor Calibration on page 34 .
	Printer is set for non-continuous labels but continuous labels are loaded.	<ul style="list-style-type: none"> • Make sure the labels and the Media Type settings match. See Setting Media Type on page 45. • Make sure the printer driver or software settings match the label and Media Type settings. • Calibrate the printer. For more information, see Calibrate the Printer on page 33.
	The MAX LENGTH setting is set to a value that is shorter than the actual length of the label.	Change the MAX LENGTH setting to a value that is at least 1 in. (25 mm) longer than the
HEAD OPEN	The printhead is not fully closed.	Close the printhead.
HEAD ELEMENT BAD	One or more of the printhead elements failed the printhead element test.	<ul style="list-style-type: none"> • If the failed elements affect your printing application, replace the printhead. • To override this error, disable the head test count feature on the front panel by defaulting the value to 0000.

Table 11 • LCD Error Messages (Continued)







LCD	Possible Cause	Recommended Solution
RIBBON IN	Ribbon is loaded, but the printer is set for Direct Thermal mode.	<ul style="list-style-type: none"> To operate in Direct Thermal mode, remove the ribbon. To operate in Thermal Transfer mode, leave the ribbon loaded and change the print method to Thermal Transfer. See <i>Selecting Print Method</i> on page 45. Ensure that the printer driver and/or software settings are correctly set (if applicable).
HEAD TOO HOT	The printhead is over temperature.	<p>Printing automatically resumes when the printhead elements cool to an acceptable operating temperature.</p> <p> Caution • The printhead is hot and can cause severe burns. Allow the printhead to cool.</p> <p> Electrostatic Discharge Caution • Observe proper electrostatic safety precautions when handling any static-sensitive components such as circuit boards and printheads.</p>
CLEAN HEAD NOW	The printhead requires cleaning.	<p>Clean the printhead according to the instructions in <i>Printhead and Platen Roller</i> on page 91.</p> <p> Caution • The printhead is hot and can cause severe burns. Allow the printhead to cool.</p> <p> Electrostatic Discharge Caution • Observe proper electrostatic safety precautions when handling any static-sensitive components such as circuit boards and printheads.</p> <p>If the message does not go away after the printhead is cleaned, open the printhead and then close it.</p>

Table 11 • LCD Error Messages (Continued)

LCD	Possible Cause	Recommended Solution
HEAD COLD		<p>Caution • An improperly connected printhead data or power cable can cause this error message. The printhead can still be hot enough to cause severe burns. Allow the printhead to cool.</p>
	<p>The printhead is under temperature.</p>	<p>Continue printing while the printhead reaches the correct operating temperature. If the error remains, the environment may be too cold for proper printing. Relocate the printer to a warmer area.</p>
	<p>Printhead data cable is not properly connected.</p>	<p>Caution • You must turn off the printer before performing this procedure. Failure to do so can damage the printhead.</p> <ol style="list-style-type: none"> 1. Turn off (O) the printer. 2. Disconnect and reconnect the data cable to the printhead. 3. Ensure that the cable connector is fully inserted into the printhead connector. 4. Turn on (I) the printer.
OUT OF MEMORY	<p>There is not enough memory to perform the function shown on the second line of the error message.</p>	<p>Turn the printer off then back on to clear memory, and try to print again. If the error recurs, there is insufficient memory for the label length, downloaded fonts or graphics, and images.</p>
		<p>Ensure that the device, such as Flash memory or PCMCIA card, is installed and not write-protected or full. See Memory Cards on page 83.</p>
		<p> Electrostatic Discharge Caution • Observe proper electrostatic safety precautions when handling any static-sensitive components such as circuit boards and printheads.</p>
		<p>Ensure that the data is not directed to a device that is not installed or available.</p>

Print Quality Problems

Table 12 identifies problems with print quality, the possible causes, and the recommended solutions.

Table 12 • Print Quality Problems










Problem	Possible Cause	Recommended Solution
General print quality issues	You are using an incorrect combination of labels and ribbon for your application.	Consult your authorized Zebra reseller or distributor for information and advice.
	The printer is set at the incorrect print speed.	For optimal print quality, set the print speed to the lowest possible setting for your application via ZPL II, the driver, or the software. See Adjusting Print Speed on page 44 .
	The printer is set at an incorrect darkness level.	For optimal print quality, set the darkness to the lowest possible setting for your application via the front panel, the driver, or the software. See Adjusting Print Darkness on page 44 .
	The printhead is dirty.	Clean the printhead according to the instructions in Printhead and Platen Roller on page 91 .  Caution • The printhead is hot and can cause severe burns. Allow the printhead to cool.  Electrostatic Discharge Caution • Observe proper electrostatic safety precautions when handling any static-sensitive components such as circuit boards and printheads.
There is light printing (or no printing) on the left or right side of the label or the printed image is not sharp.	The toggle pressure needs to be adjusted.	Follow the instructions in Adjust Printhead Pressure and Toggle Position on page 38 .  Electrostatic Discharge Caution • Observe proper electrostatic safety precautions when handling any static-sensitive components such as circuit boards and printheads.
Gray lines on blank labels with no consistent pattern	The printhead is dirty.	Clean the printhead according to the instructions in Printhead and Platen Roller on page 91 .  Caution • The printhead is hot and can cause severe burns. Allow the printhead to cool.  Electrostatic Discharge Caution • Observe proper electrostatic safety precautions when handling any static-sensitive components such as circuit boards and printheads.

Table 12 • Print Quality Problems (Continued)

Problem	Possible Cause	Recommended Solution
Light, consistent vertical lines running through the labels	The printhead or platen roller is dirty.	Clean the printhead and platen roller as instructed in <i>Printhead and Platen Roller</i> on page 91.
		 Caution • The printhead is hot and can cause severe burns. Allow the printhead to cool.  Electrostatic Discharge Caution • Observe proper electrostatic safety precautions when handling any static-sensitive components such as circuit boards and printheads.
Intermittent creases on the left and right edges of the labels	There is too much toggle pressure on the printhead.	Reduce the toggle pressure. See <i>Adjust Printhead Pressure and Toggle Position</i> on page 38.
		 Electrostatic Discharge Caution • Observe proper electrostatic safety precautions when handling any static-sensitive components such as circuit boards and printheads.
Wrinkled Ribbon	The ribbon is not loaded correctly.	Load the ribbon correctly. See <i>Load Ribbon</i> on page 26.
	The darkness setting is incorrect.	Set the darkness to the lowest possible setting for good print quality. See <i>Adjusting Print Darkness</i> on page 44.
	Incorrect printhead pressure or balance.	Set the pressure to the minimum required for good print quality. See <i>Adjust Printhead Pressure and Toggle Position</i> on page 38.
		 Electrostatic Discharge Caution • Observe proper electrostatic safety precautions when handling any static-sensitive components such as circuit boards and printheads.
	The labels are not feeding correctly. They are shifting from side to side.	Make sure that the media guide and media supply guide touch the edge of the media. Adjust the ribbon strip plate.

Communications Problems

Table 13 identifies problems with communications, the possible causes, and the recommended solutions.

Table 13 • Communications Problems

Problem	Possible Cause	Recommended Solution	
A label format was sent to the printer but was not recognized. The DATA light does not flash.	The communication parameters are incorrect.	Check the printer driver or software communications settings (if applicable). If you are using serial communication, check the serial port setting in the front panel menu. See Setting Serial Communications on page 50 . Make sure you are using the correct communication cable. See Data Cable Requirements on page 13 for the requirements. Using the front panel controls, check the protocol setting. It should be set to NONE. See Setting Protocol on page 51 . If a driver is used, check the driver communication settings for your connection.	
	A label format was sent to the printer. Several labels print, then the printer skips, misplaces, misses, or distorts the image on the label.	The host is set to EPP parallel communications.	Change the settings on the computer host to standard parallel communications. See Setting Parallel Communications on page 50 .
		The serial communication settings are incorrect.	Ensure that the flow control settings match. Check the communication cable length. See Data Cable Requirements on page 13 for requirements. Check the printer driver or software communications settings (if applicable).
		A label format was sent to the printer but was not recognized. The DATA light flashes but no printing occurs.	The prefix and delimiter characters set in the printer do not match the ones in the label format.
Incorrect data is being sent to the printer.	Ensure that ZPL is being used. Check the communication settings on the computer. Ensure that they match the printer settings.		

Table 13 • Communications Problems (Continued)

Problem	Possible Cause	Recommended Solution
The printer fails to calibrate or detect the top of the label.	The printer was not calibrated for the label being used.	Perform the calibration procedure in <i>CANCEL Self Test</i> on page 109.
	The printer is configured for continuous media.	Set the media type to non-continuous media. See <i>Setting Media Type</i> on page 45.
	The driver or software configuration is not set correctly.	Driver or software settings produce ZPL commands that can overwrite the printer configuration. Check the driver or software media-related setting.

Printer Diagnostics

Self tests give information about the condition of the printer. The most commonly used are the Power-On and the CANCEL self tests.

Caution • Be sure that the print width is set to match the label width you are using before running any self tests. If the labels are not wide enough, the test may print on the platen roller and damage it.

Power-On Self Test

The Power-On Self Test (POST) is performed automatically each time the printer is turned on. During either test sequence, the front panel LEDs light up and the LCD monitors the progress of the POST. If the printer fails any of these tests, **FILE** shows on the LCD. If this occurs, notify an authorized Zebra reseller.

Additional Printer Self Tests

These self tests produce sample printouts and provide specific information that help determine the operating conditions for the printer.

Each self test is enabled by pressing a specific front panel key or combination of keys while turning the power On (**I**). Keep the key(s) depressed until the **DATA** light turns off. When the POST is complete, the selected self test starts automatically.



Note • When performing a self test, do not send a label format to the printer. For remote hosts, disconnect all data interface cables from the printer. For printers in Peel-Off Mode, remove the labels as they come out of the printer.

CANCEL Self Test

The CANCEL self test prints a configuration label, which tells you the current settings for the printer.

To perform the CANCEL Self Test, complete these steps:

1. Turn Off (O) the printer.
 2. Press and hold CANCEL while turning the power On (I). Hold CANCEL until the DATA light turns off.
- A printer configuration label prints (Figure 47).

Figure 47 • Printer Configuration Label

PRINTER CONFIGURATION	
Zebra Technologies	
ZTC R110X.IIIPlus-200dpi	
04.0	DARKNESS
2 IPS	PRINT SPEED
+000	TEAR OFF
TEAR OFF	PRINT MODE
CONTINUOUS	MEDIA TYPE
WEB	SENSOR TYPE
THERMAL-TRANS	PRINT METHOD
104 0/8 MM	PRINT WIDTH
2000	LABEL LENGTH
39.0IN 988MM	MAXIMUM LENGTH
MEDIA DISABLED	EARLY WARNING
MAINT. OFF	EARLY WARNING
NOT CONNECTED	USB COMM.
BIDIRECTIONAL	PARALLEL COMM.
RS232	SERIAL COMM.
9600	BAUD
8 BITS	DATA BITS
NONE	PARITY
XON/XOFF	HOST HANDSHAKE
NONE	PROTOCOL
000	NETWORK ID
NORMAL MODE	COMMUNICATIONS
<>	CONTROL PREFIX
< >	FORMAT PREFIX
< >	DELIMITER CHAR
ZPL II	ZPL MODE
CALIBRATION	MEDIA POWER UP
CALIBRATION	HEAD CLOSE
DEFAULT	BACKFEED
+000	LABEL TOP
+0000	LEFT POSITION
OFF	VERIFIER PORT
OFF	APPLICATOR PORT
PULSE MODE	START PRINT SIG
FEED MODE	RESYNCH MODE
050	WEB S.
079	MEDIA S.
072	RIBBON S.
089	TAKE LABEL
050	MARK S.
000	MARK MED S.
084	MEDIA LED
003	RIBBON LED
000	MARK LED
+10	LCD ADJUST
DPSWFXM	MODES ENABLED
832 8MM FULL	MODES DISABLED
SPS96F	FIRMWARE
V19.0.0.56	HARDWARE ID
CUSTOMIZED	CONFIGURATION
NONE	COMPACT FLASH
NONE	RAM
NONE	MEMORY CARD
2048K	ONBOARD FLASH
NONE	FORMAT CONVERT
005 DISPLAY	P32 INTERFACE
Firmware	TWINAX/COAX ID
06/10/04	IDLE DISPLAY
11:08	RTC DATE
DYNAMIC	RTC TIME
ALL	IP RESOLUTION
010.003.005.187	IP PROTOCOL
255.255.255.000	IP ADDRESS
010.003.005.001	SUBNET MASK
Matrices: 04.A1.01	DEFAULT GATEWAY
1500 IN	RFID VERSION
1500 IN	NONRESET CNTR
1500 IN	RESET CNTR1
3806 CM	RESET CNTR2
3806 CM	NONRESET CNTR
3806 CM	RESET CNTR1
3806 CM	RESET CNTR2
335 LABLS	NONRESET CNTR
335 LABLS	RESET CNTR1
335 LABLS	RESET CNTR2
6K 20518.04DLO6202.41008.02.VH1	

The printer configuration can be changed by performing a calibration procedure. See [Calibrate the Printer on page 33](#) for more information.

PAUSE Self Test

This self test can be used to provide the test labels required when making adjustments to the printer's mechanical assemblies. See the sample printout below.

To perform a PAUSE self test, complete these steps:

1. Turn Off (O) the printer.
2. Press and hold PAUSE while turning the power On (I). Hold PAUSE until the DATA light turns off.
 - The initial self test prints 15 labels at 2.4 in. (61 mm) per second, then automatically pauses the printer. When PAUSE is pressed, an additional 15 labels print. [Figure 48](#) shows a sample of the labels.

Figure 48 • PAUSE Test Label



- While the printer is paused, pressing CANCEL alters the self test. When PAUSE is pressed, 15 labels print at 6 in. or 152 mm per second.
- While the printer is paused, pressing CANCEL again alters the self test a second time. When PAUSE is pressed, 50 labels print at 2.4 in. (61 mm per second).
- While the printer is paused, pressing CANCEL again alters the self test a third time. When PAUSE is pressed, 50 labels print at 6 in. (152 mm) per second.
- While the printer is paused, pressing CANCEL again alters the self test a fourth time. When PAUSE is pressed, 15 labels print at the printer's maximum speed.
- To exit this self test at any time, press and hold CANCEL.

FEED and PAUSE Self Test

Performing this self test temporarily resets the printer configuration to the factory default values. These values are active only until power is turned off unless you save them permanently in memory.

To perform a FEED and PAUSE self test, complete these steps:

1. Turn Off (O) the printer.
2. Press and hold FEED and PAUSE while turning the power On (I). Hold FEED and PAUSE until the DATA light turns off.
No labels print at the end of this test.

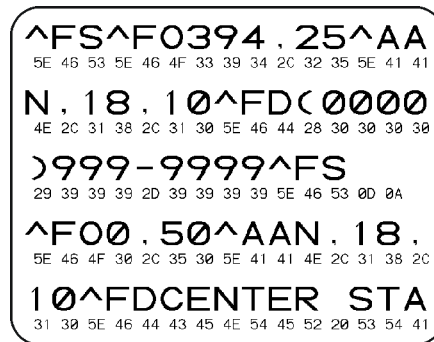
Communications Diagnostics Test

This test is controlled from the front panel display. See [Setting Communications Mode on page 52](#). [Figure 50](#) shows a typical printout from this test. Turn off the power to exit this self test and return to normal operation.



Note • The communications test label prints upside-down.

Figure 50 • Communications Diagnostics Test Label



Additional Printer Diagnostics

Additional diagnostic tests are available for this printer. See the *Maintenance Manual* for information about these additional tests.



Specifications

This appendix provides the features of and specifications for the *RXIIIPlus* printers.

Contents

Features	114
Standard Features	114
Print Modes	114
Zebra Programming Language (ZPL II®)	114
Bar Codes	115
Agency Approvals for All Printers	116
Compliance for All Printers	116
General Specifications	117
Electrical Specifications	117
Environmental Conditions for Operation and Storage	117
Print Specifications by Model	118
Ribbon Specifications	119
Label Specifications	120

Features

This section lists the standard and optional features for the printer.

Standard Features



Note • Printer specifications are subject to change without notice.

- Thermal transfer and direct thermal printing
- DRAM 16 MB
- USB 2.0 Port
- Real-time Clock
- Advanced Counter

Print Modes

Five different print modes can be used, depending on the printer options purchased:

- **Tear-Off Mode:** Labels are produced in strips.
- **Peel-Off Mode:** Labels are dispensed and peeled from the backing as needed.
- **Applicator Mode:** The printer is part of a larger label application system.

Zebra Programming Language (ZPL II®)

ZPL features include:

- Downloadable graphics, scalable and bitmap fonts, and label formats
- Object copying between memory areas
- (RAM, memory card, and internal Flash)
- Code page 850 character set
- Data compression
- Automatic virtual input buffer management
- Format inversion
- Mirror image printing
- Four-position field rotation (0°, 90°, 180°, 270°)
- Slew command
- Controlled via mainframe, mini-computer, PC, portable data terminal
- Programmable quantity with print, pause, and cut control
- Communicates in printable ASCII characters
- Error-checking protocol
- Status message to host upon request
- Serialized fields
- In-spec OCR-A and OCR-B
- UPC/EAN

- User-programmable password

Bar Codes

Types of bar codes include:

- Bar code ratios—2:1, 7:3, 5:2, 3:1
- Codabar (supports ratios of 2:1 up to 3:1)
- CODABLOCK
- Code 11
- Code 39 (supports ratios of 2:1 up to 3:1)
- Code 49 (two-dimensional bar code)
- Code 93
- Code 128 (with subsets A, B, and C and UCC case codes)
- Check digit calculation where applicable
- Data Matrix
- EAN-8, EAN-13, EAN extensions
- ISBT-128
- Industrial 2 of 5
- Interleaved 2 of 5 (supports ratios of 2:1 up to 3:1, Modulus 10 Check Digit)
- LOGMARS
- MaxiCode
- Micro PDF
- MSI
- PDF-417 (2-dimensional bar code)
- PLANET code
- Plessey
- POSTNET
- QR-Code
- RSS code
- Standard 2 of 5
- TLC 39
- UPC-A, UPC-E, UPC extensions

Agency Approvals for All Printers

Approvals include:

- Canadian ICES-003, Class B
- FCC class B

Compliance for All Printers

- Complies with FCC class B and Canadian Doc. class A rules

General Specifications

Dimensions	R110Xi IIIPlus
Height	15.5 in (393.7 mm)
Width	10.37 in. (263.5 mm)
Depth	19.5 in. (495.3 mm)
Weight without options	51 lb. (25 kg)

Electrical Specifications

Power	R110Xi IIIPlus
General	90 to 264 VAC; 48 to 62 Hz
Power consumption printing PAUSE test at slowest speed	180 W
Printer idle	20 W

Environmental Conditions for Operation and Storage

Environment	Mode	Temperature	Relative Humidity
Operation	Thermal Transfer	41° to 104°F (5° to 40° C)	20 to 85% non-condensing
	Direct Thermal	32° to 104°F (0° to 40° C)	
Storage	Thermal Transfer or Direct Thermal	-40° to 140°F (-40° to 60° C)	5 to 85% non-condensing

Print Specifications by Model

Refer to the key and the table that follows for printer specifications.

Model Specifications Key

This table contains the key for print specifications for the table that follows.

■	Non-Continuous printing (gap, notch, or hole between labels).
■	Continuous printing (no gap, notch or hole).
◆	Ladder (rotated) orientation.
✧	Picket fence (nonrotated) orientation.

Specification	R110XiIIIPlus 200 dpi
Printhead resolution	203 dots/inch (8 dots/mm)
Dot size (width×length)	0.0049×0.0049 in. (0.125×0.125 mm)
First dot location (measured from inside media edge)	0.10 ± 0.035 in. (2.5 ± 0.89 mm)
Maximum print width	4.09 in. (104 mm)
Selectable print speeds (inches per second)	2.4, 3 through 10
Maximum Print length	39 in. (991 mm) ■ 150 in. (3810 mm) ■
Bar code modulus (X) dimension	4.9 mil to 49 mil ◆ 4.9 mil to 49 mil ✧
Thin film printhead with Element Energy Equalizer (E ³) [®]	Yes

Ribbon Specifications

Refer to the table that follows for ribbon specifications.



Note • Match the ribbon to the label width and printhead width that you are using.

- Ribbon must be wound with the coated side out.
- Ribbon should be at least as wide as the labels to protect the printhead from excessive wear.

Specifications	R110XiIIIPlus 200 dpi
Printhead resolution	203 dots/inch (8 dots/mm)
Ribbon width—Minimum*	0.79 in. (20 mm)
Ribbon width—Maximum	4.33 in. (110 mm)
Standard length with 2:1 label to ribbon ratio	984 ft (300 m)
Standard length with 3:1 label to ribbon ratio	1476 ft (450 m)
Ribbon core inside diameter	1.0 in. (25.4 mm)
Maximum ribbon roll outside diameter	3.2 in. (81.3 mm)

* For RFID “smart” labels, the minimum ribbon width is determined by the minimum label width for the transponder being used. For the list of approved transponders and related size and placement specifications, go to <http://www.rfid.zebra.com/r110.htm>.

Label Specifications

RXiIIIPlus printers need the correct size and type of labels for best performance. Refer to the table that follows for the specifications.



Important • Media registration and minimum label length are affected by label type and width, ribbon type, print speed, and printer mode of operation. Performance improves as these factors are optimized. Zebra recommends qualifying any application with thorough testing.

Specifications

Minimum label length	Tear-off	0.7 in. (18 mm)*
	RFID “smart” labels	**
Total media width (label + backing, if any)	Minimum	0.79 in. (20 mm)*
	Maximum	4.5 in. (114 mm)
	RFID “smart” labels	**
Total thickness (includes backing, if any)	Minimum	0.003 in. (0.076 mm)
	Maximum	0.012 in. (0.305 mm)
Roll media core inside diameter		3 in. (76 mm)
Maximum roll diameter on 3 in. (76 mm) core		8.0 in. (203 mm)
Interlabel gap	Minimum	0.079 in. (2 mm)*
	Preferred	0.118 in. (3 mm)*
	Maximum	0.157 in. (4 mm)*
	RFID “smart” labels	**
Maximum internal fanfold media pack size (label + backing) L × W×H		8.0×4.5×4.5 in. (20×114×114 mm)
Ticket/tag sensing notch L × W		0.12×0.25 in. (3×6 mm)
Ticket/tag sensing hole diameter		0.125 in. (3 mm)
Label registration tolerance (vertical)		± 0.06 in. (± 1.5 mm)
Label registration tolerance (horizontal)		± 0.06 in. (± 1.5 mm)

* Does not apply to RFID “smart” labels.

** This parameter varies for each transponder type. For the list of approved transponders and related placement specifications, go to <http://www.rfid.zebra.com/r110.htm>

Index



A

- adhesive test for ribbon coating, 18
- adjustments
 - LCD, 57
 - left position, 55
 - lower media sensor, 37
 - print darkness, 44
 - print speed, 44
 - printhead toggle pressure, 38
 - sensors, 34
 - tear-off position, 44
 - upper media sensor, 36
- agency approvals, 116
- alert setting, 47
- applicator port setting, 56
- auto-calibration, 33

B

- backfeed setting, 54
- bar codes
 - list available codes, 48
 - types of codes, 115
- baud setting, 51
- before you begin setup, 8
- bitmap scaling factor, 57

C

- cable requirements, 13
- calibration
 - media and ribbon sensor, 34, 50
 - methods, 33
 - setting for head close, 54
 - setting for media power up, 54
- Canadian DOC compliance, vi
- CANCEL self test, 109
- CHECK RIBBON light on, 34
- checklist
 - before you begin, 8
 - troubleshooting, 100
- CLEAN HEAD NOW message, 102
- cleaning
 - exterior of printer, 90
 - interior, 91
 - printhead and platen roller, 91
 - recommended schedule, 90
 - sensors, 93
 - snap plate, 95
- communication interfaces
 - overview and location, 12
 - types of connections, 73
- communications diagnostics test
 - sample printout, 112
 - selecting, 52
- communications problems, 106
- CompactFlash card
 - format, 48
 - installation, 86
- compliance, 116
- components, 6

- configuration
 - enter setup mode, 42
 - exit setup mode, 42
- configuration label
 - print during CANCEL self test, 109
 - printing after loading printer, 31
 - printing using List Setup command, 48
- connect printer to power source, 11
- contact information, xviii
- continuous media, 15
 - setting media type, 45
- control prefix setting, 52
- creases on labels, 105
- create ribbon leader, 26
- customer support, xviii

D

- darkness setting, 44
- data bits setting, 51
- data cable requirements, 13
- data connections
 - RS-232, 78
 - RS-422/RS-485, 80
- data ports, 73
- data source
 - communication interface location, 12
 - communication interfaces, 73
 - provide connections, 10
- date setting, 57
- DB-9 to DB-25 connection, 79
- default gateway setting, 59
- default password, 43
- delimiter character setting, 53
- detect RFID tag type, 58
- diagnostics, 108
 - RFID test, 58
- direct connection to a computer, 78
- direct thermal mode
 - media scratch test, 17
- direct thermal transfer mode
 - setting, 45
- disable password protection, 43
- display language selection, 58
- dpi format conversion, 57

E

- Early Warning setting, 47
- electrical noise, 13
- electrical specifications, 117
- enter setup mode, 42
- environmental specifications, 117
- error messages, 101
- exit setup mode, 42
- exterior cleaning, 90

F

- fanfold media loading, 24
- FCC compliance, v
- features, 114
- FEED and PAUSE self test, 112
- FEED self test, 111
- Flash memory, 49
- fonts
 - listing, 47
 - using CompactFlash card, 86
 - using PCMCIA memory card, 84
- format convert setting, 57
- format list, 48
- format memory card, 48
- format prefix setting, 53
- front panel
 - buttons, 4
 - enter setup mode, 42
 - exit setup mode, 42
 - illustration, 3
 - LCD error messages, 101
 - LCD parameters, 44
 - lights, 5
- fuse replacement, 96

G

- gray lines on labels, 104

H

- HEAD COLD message, 103
- HEAD ELEMENT BAD message, 101
- HEAD OPEN message, 101
- HEAD TOO HOT message, 102
- host handshake setting, 51

I

- idle display setting, 57
- image not sharp, 104
- images list, 48
- initialize Flash memory, 49
- inspect the printer, 9
- interior cleaning, 91
- international safety organization marks, 11
- IP settings
 - default gateway, 59
 - IP address, 59
 - IP resolution, 59
 - protocols, 59
 - subnet mask, 59

L

- label length maximum setting, 46
- label specifications by model, 120
- label top
 - printer cannot detect, 107
 - setting, 55
- label-available sensor
 - location, 93
 - when to clean, 90
- labels did not print, 106
- labels per roll setting, 47
- language selection, 58
- LCD messages
 - adjust LCD settings, 57
 - error messages, 101
 - language selection, 58
 - setup mode, 44
- liability, vi
- light or no printing, 104
- lights on front panel, 5
- list settings
 - all settings, 48
 - bar codes, 48
 - fonts, 47
 - formats, 48
 - images, 48
 - setup, 48
- load the printer
 - load fanfold media, 24
 - load roll media, 22
 - ribbon, 26
- long calibration, 33
- lower media sensor adjustment, 37

M

- mark LED setting, 57
- Mark Med S. setting, 57
- maximum label length setting, 46
- media
 - label specifications by model, 120
 - load fanfold media, 24
 - load roll media, 22
 - media LED setting, 57
 - media low warning, 47
 - non-continuous media, 15
 - RFID “smart” labels, 16
 - setting labels per roll, 47
 - setting media type, 45
 - types of media, 14
- media and ribbon sensor calibration
 - procedure, 34, 50
 - when to perform, 34
- media path cleaning, 90
- media power up setting, 54
- Media S. setting, 57
- media scratch test, 17
- media sensor
 - adjustment, 36
 - location, 94
 - print media sensor profile, 49
 - sensor sensitivity calibration, 33
- media types
 - continuous media, 15
- memory card installation
 - CompactFlash card, 86
 - PCMCIA memory card, 84
- modem connection, 79

N

- network ID setting, 52
- non-continuous media
 - setting media type, 45

O

- operating conditions, 10
- OUT OF MEMORY message, 103

P

- PAPER OUT message, 101
- parallel port
 - location, 12
 - pin configuration, 74
 - setting parallel communications, 50
 - settings, 74
- parity setting, 51
- passwords
 - default, 43
 - disable, 43
 - entering, 43
- PAUSE self test, 110
- PCMCIA card
 - format, 48
 - installing memory card, 84
- pin configuration
 - parallel port, 74
 - serial port, 77
- platen roller
 - cleaning, 91
 - when to clean, 90
- ports, 73
- power cord specifications, 11
- power source, 11
- Power-On Self Test (POST), 108
- print configuration label
 - CANCEL self test, 109
 - List Setup command, 48
 - when printer is loaded, 31
- print darkness setting, 44
- print modes
 - features, 114
 - selecting, 45
 - Tear-Off Mode, 22
- print quality
 - effect of printhead toggle pressure, 38
 - troubleshooting problems, 104
- print speed setting, 44
- print width setting, 46
- printer components, 6
- printer diagnostics, 108
- printer operation, 21
- printer self tests, 108
- printer settings
 - applicator port, 56
 - backfeed, 54
 - baud, 51
 - configuration label as baseline, 31
 - control prefix, 52
 - data bits, 51
 - date, 57
 - delimiter character, 53
 - Early Warning, 47
 - format convert, 57
 - format prefix, 53
 - host handshake, 51
 - idle display, 57
 - IP settings, 59
 - label top, 55
 - labels per roll, 47
 - language, 58
 - LCD, 57
 - left position, 55
 - maximum label length, 46
 - media type, 45
 - network ID, 52
 - parallel communications, 50
 - parity, 51
 - passwords, 43
 - print darkness, 44
 - print method, 45
 - print server settings, 59
 - print speed, 44
 - print width, 46
 - protocol, 51
 - resynch mode, 56
 - RFID tag type, 58
 - ribbon length, 47
 - saving, 42
 - sensor type, 45
 - serial communications, 50
 - setting through front panel, 42
 - start print signal, 56
 - time, 58
 - verifier port, 55
 - ZPL mode, 53
- printer setup
 - before you begin, 8
 - load the printer, 22
- printhead
 - cleaning, 91
 - early warning message, 47
 - head close setting, 54
 - pressure adjustment, 38
 - when to clean, 90

- PrintServer II settings
 - default gateway, 59
 - IP address, 59
 - IP protocols, 59
 - IP resolution, 59
 - subnet mask, 59
- product improvements, v
- proprietary statement, v
- protocol setting, 51

R

- R110XiIIIPlus
 - label specifications, 120
 - ribbon specifications, 119
- related documents, xx
- relative humidity requirements, 10
- remove used ribbon, 30
- replace fuse, 96
- report shipping damage, 9
- reship the printer, 9
- resynch mode setting, 56
- RFID
 - error status, 58
 - guidelines, 61
 - RFID tag type, 58
 - RFID test, 58
 - sample ZPL commands, 70
 - “smart” labels, 16
 - transponder placement, 62
 - ZPL commands, 63
- ribbon
 - adhesive test, 18
 - ⓈCHECK RIBBON light on, 34
 - create ribbon leader, 26
 - determining coated side, 17
 - load, 26
 - removal, 30
 - RIBBON IN message, 102
 - ribbon LED setting, 57
 - ribbon low warning, 47
 - Ribbon Out message, 101
 - scratch test, 18
 - setting length, 47
 - specifications, 119
 - troubleshooting wrinkles, 105
 - when to use, 17
- Ribbon S. setting, 57

- ribbon sensor
 - calibration procedure, 50
 - cleaning, 93
 - location, 93
 - sensitivity calibration, 33
 - when to clean, 90
- roll media loading, 22
- routine maintenance, 89
- RS-232 interface connections, 78
- RS-422/RS-485 interconnections, 80
- RTC (Real-time clock) setting
 - date, 57
 - time, 58

S

- schedule for cleaning, 90
- scratch test
 - media type, 17
 - ribbon coated side, 18
- select a printer site, 10
- self tests
 - CANCEL, 109
 - FEED, 111
 - FEED and PAUSE, 112
 - how to perform additional tests, 108
 - PAUSE, 110
 - Power-On Self Test (POST), 108
- Sensor Profile calibration
 - description, 33
 - procedure, 49
- sensors
 - adjusting, 34
 - cleaning, 93
 - label-available sensor location, 93
 - lower media sensor adjustment, 37
 - media and ribbon sensor calibration, 34
 - ribbon sensor location, 93
 - setting sensor type, 45
 - transmissive (media) sensor adjustment, 36
 - transmissive (media) sensor location, 94
 - upper media sensor adjustment, 36
- serial port
 - location, 12
 - pin configuration, 77
 - setting serial communications, 50
 - settings, 76
- setup checklist, 8
- setup mode
 - enter setup mode, 42
 - exit setup mode, 42
 - LCD messages, 44

- shipping
 - report damage, 9
 - reship the printer, 9
 - short calibration, 33
 - site requirements, 10
 - “smart” labels, 16
 - snap plate
 - cleaning, 95
 - when to clean, 90
 - spacing requirements, 10
 - specifications
 - by model number, 118
 - electrical, 117
 - environmental, 117
 - general, 117
 - power cord, 11
 - ribbon, 119
 - standard data ports, 73
 - standard features, 114
 - start print signal setting, 56
 - store the printer, 9
 - subnet mask setting, 59
 - support, xviii
 - surface for the printer, 10
- T**
- take label setting, 57
 - Tear-Off Mode
 - load the printer, 22
 - tear-off bar cleaning, 90
 - tear-off position adjustment, 44
 - temperature requirements, 10
 - thermal transfer mode
 - load ribbon, 26
 - media scratch test, 17
 - setting, 45
 - time setting, 58
 - toggle pressure adjustment, 38
 - top of label
 - printer cannot detect, 107
 - setting, 55
 - transmissive (media) sensor
 - adjustment, 36
 - location, 94
 - when to clean, 90
 - transponder placement, 62
 - troubleshooting
 - CHECK RIBBON light on, 34
 - checklist, 100
 - communications problems, 106
 - LCD error messages, 101
 - non-continuous labels treated as continuous, 34
 - print quality problems, 104
 - printer diagnostics, 108
 - wrinkled ribbon, 105
 - types of media
 - continuous media, 15
 - non-continuous media, 15
 - RFID “smart” labels, 16
- U**
- unpack the printer, 9
 - upper media sensor adjustment, 36
 - USB 2.0 port
 - location, 12
 - settings, 81
- V**
- verifier port setting, 55
 - vertical lines on labels, 105
- W**
- web media, 15
 - setting sensor type, 45
 - Web S. setting, 57
 - wrinkled ribbon, 105
- Z**
- Zebra Programming Language (ZPL II)
 - ^HV, Host Verification, 64
 - ^RS, RFID Setup, 65
 - ^RT, Read Tag, 68
 - ^WT, Write Tag, 69
 - sample RFID Programming, 70
 - Zebra support, xviii
 - ZPL Programming Language
 - features, 114
 - ZPL mode setting, 53



Zebra Technologies Corporation

333 Corporate Woods Parkway
Vernon Hills, Illinois 60061.3109 U.S.A.
Telephone: +1 847.634.6700
Facsimile: +1 847.913.8766

Zebra Technologies Europe Limited

Zebra House
The Valley Centre, Gordon Road
High Wycombe
Buckinghamshire HP13 6EQ, UK
Telephone: +44 (0) 1494 472872
Facsimile: +44 (0) 1494 450103

Customer Order # 23063L-001
Manufacturer Part # 23063L-001 Rev. 1