



QL Series

Mobile Printers

Maintenance Manual for QL220, QL220 Plus; QL320, QL 320 Plus; QL420 and QL 420 Plus



Zebra Technologies International, LLC
333 Corporate Woods Parkway
Vernon Hills, Illinois 60061-3109 USA

PROPRIETARY STATEMENT

This manual contains proprietary information of Zebra Technologies Corporation. It is intended solely for the information and use of parties operating and maintaining the equipment described herein. Such proprietary information may not be used, reproduced, or disclosed to any other parties for any other purpose without the expressed written permission of Zebra Technologies Corporation.

Product Improvements

Since continuous product improvement is a policy of Zebra Technologies Corporation, all specifications and signs are subject to change without notice.

FCC Compliance Statement

Class B digital devices. Tested to comply with FCC standards for home or office use.

WARNING: Exposure to Radio Frequency radiation. To conform to FCC RF exposure requirements these devices shall be used in accordance with the operating conditions and instructions listed in this manual. Note that there are several radio options available with these printers. Refer to the Users Guide for more complete regulatory information.

NOTE: These units were tested with shielded cables on the peripheral devices. Shielded cables must be used with the units to insure compliance.

Changes or modifications to this unit not expressly approved by Zebra Technologies Corporation could void the user's authority to operate this equipment.

Canadian Compliance Statement

These Class B digital apparatus comply with Canadian ICES-003.

Cet appareil numérique de la classe B est conforme à la norme NMB-003 du Canada.

"IC:" before the equipment certification number signifies that the Industry Canada technical specifications were met. It does not guarantee that the certified product will operate to the user's satisfaction.

Agency Approvals and Regulatory Information

- Design certified by CSA
- FCC part 15
- NOM/NYCE (Mexico)
- C-Tick (Australia)
- IP54 Certified
- Canadian STD RSS-210
- EN60950: 2000 Safety Standard
- EN55022:1998 Class B European Electromagnetic Radiation Standard

Liability Disclaimer

Inasmuch as every effort has been made to supply accurate information in this manual, Zebra Technologies Corporation is not liable for any erroneous information or omissions. Zebra Technologies Corporation reserves the right to correct any such errors and disclaims liability resulting therefrom.

No Liability for Consequential Damage

In no event shall Zebra Technologies Corporation or anyone else involved in the creation, production, or delivery of the accompanying product (including hardware and software) be liable for any damages whatsoever (including, without limitation, damages for loss of business profits, business interruption, loss of business information, or other pecuniary loss) arising out of the use of or the results of use of or inability to use such product, even if Zebra Technologies Corporation has been advised of the possibility of such damages. Because some states do not allow the exclusion of liability for consequential or incidental damages, the above limitation may not apply to you.

Copyrights

The copyrights in this manual and the label print engine described therein are owned by Zebra Technologies Corporation. Unauthorized reproduction of this manual or the software in the label print engine may result in imprisonment of up to one year and fines of up to \$10,000 (17 U.S.C.506). Copyright violators may be subject to civil liability.

This product may contain ZPL®, ZPL II®, and ZebraLink™ programs; Element Energy Equalizer® Circuit; E3®; and AGFA fonts. Software © ZIH Corp. All rights reserved worldwide.

ZebraLink and all product names and numbers are trademarks, and Zebra, the Zebra logo, ZPL, ZPL II, Element Energy Equalizer Circuit, and E3 Circuit are registered trademarks of ZIH Corp. All rights reserved worldwide.

Monotype®, Intellifont® and UFST® are trademarks of Monotype Imaging, Inc. registered in the United States Patent and Trademark Office and may be registered in certain jurisdictions.

Andy™, CG Palacio™, CG Century Schoolbook™, CG Triumvirate™, CG Times™, Monotype Kai™, Monotype Mincho™ and Monotype Sung™ are trademarks of Monotype Imaging, Inc. and may be registered in some jurisdictions.

HY Gothic Hangul™ is a trademark of Hanyang Systems, Inc.

Angsana™ is a trademark of Unity Progress Company (UPC) Limited.

Andale®, Arial®, Book Antiqua®, Corsiva®, Gill Sans®, Sorts® and Times New Roman® are trademarks of The Monotype Corporation registered in the United States Patent and Trademark Office and may be registered in certain jurisdictions.

Century Gothic™, Bookman Old Style™ and Century Schoolbook™ are trademarks of The Monotype Corporation and may be registered in certain jurisdictions.

HGP GothicB is a trademark of the Ricoh company, Ltd. and may be registered in some jurisdictions.

Univers™ is a trademark of Heidelberger Druckmaschinen AG, which may be registered in certain jurisdictions, exclusively licensed through Linotype Library GmbH, a wholly owned subsidiary of Heidelberger Druckmaschinen AG.

Futura® is a trademark of Bauer Types SA registered in the United States Patent and Trademark Office and may be registered in some jurisdictions.

TrueType® is a trademark of Apple Computer, Inc. registered in the United States Patent and Trademark Office and may be registered in certain jurisdictions.

All other brand names, product names, or trademarks belong to their respective holders.

©2008 ZIH Corp.

CONTENTS

Proprietary Statement	ii
SECTION 1: QL INTRODUCTION	1-5
Diagnostic Tools	1-6
Introduction to Label Vista™	1-6
Printing a Diagnostic Label	1-7
QL Series Unit Test & Calibration	1-11
SECTION 2 • QL REPAIR PROCEDURES	2-35
Troubleshooting	2-36
QL220/220 Plus Repair Path	2-40
QL320 & QL420 Repair Path	2-41
Tools and Supplies	2-42
Storage and Handling	2-42
Media Cover, QL 220- RK18236-1 & QL220 Plus- RK17735-015	2-43
Media Cover, QL 320, QL 320 Plus & QL 420, QL 420 Plus	2-45
Media Guide Plate Assembly, QL220/220 Plus	2-48
Media Guide Assembly, QL320/320 Plus	2-50
Media Guide Assembly, QL420/420 Plus	2-52
Media Support Disks, QL Series	2-54
Media Guide Rollers, QL420/QL 420 Plus AN16753-003 & -004	2-56
Platen/Gear Kits, QL220/QL 220 Plus AN16972-008 & -009	2-57
Platen/Gear Kits, QL320/320 Plus- AN16861-013 & AN16861-014	2-58
Platen/Gear Kits, QL420/420 Plus- AN16753-021 & -022	2-59
Upper Housing /Wireless Modules-QL220 & QL 220 Plus	2-61
Upper Housing, QL320- RK18233-1	2-63
Upper Housing, QL420/420 Plus- AN16753-007	2-64
Label Presence Sensor, QL320- AN16861-015	2-67
PCMCIA WLAN Radio, QL320 & QL420- AN16652-1 Antenna Assembly, QL 320 & QL 420- AN16861-011	2-69
QL 320/320 Plus & QL 420/420 Plus Wireless Modules	2-71
Keypad & Display, QL220/220 Plus/220 Cost Reduced- AN16972-011, -012 & RK17735-031	2-73
Membrane & LCD Keypad, QL320/320Plus/320Cost Reduced & QL420/420Plus/420Cost Reduced	2-75
AN16861-021, RK18235-1 & RK17735-032	2-75
Printer Frame, QL220/220Plus- AN16972-001	2-77
Printer Frame, QL 320/320 Plus- AN16861-029 & QL 420/420 Plus- AN16753-012	2-78
Connector Door, QL 220 /QL220 Plus - AN16972-021	2-81
Connector Door, QL420 & QL420 Plus- AN16753-020	2-82
Motor, QL220 & QL 220 Plus - AN16972-002	2-83
Motor, QL 320/320 Plus & QL420/420 Plus- RK18251-1	2-84
Printhead, QL220- RK18278-1 & QL 220 Plus- RK17735-016	2-86
Printhead, QL320 - RK18277-1 & QL 320 Plus- RK18465-003	2-87
Printhead, QL 420- RK18252-1 & QL 420 Plus- RK17735-004	2-88
Latch, QL 220/QL 220 Plus- AN16972-004	2-93

continued

Latch, QL 320/ QL 320 Plus- AN16861-025 -----	2-95
Latch, QL 420/ QL 420 Plus- AN16753-011 -----	2-96
Peeler Shaft & Roller, QL 220/220 Plus- AN16972-006; QL 320/ QL 320 Plus- AN16861-026 & QL 420- AN16753-024-----	2-98
MLB, QL 220- AN16972-013, RK18259-1; -----	2-99
QL 220 Plus-RK17735-017 -----	2-99
QL 220 Cost Reduced-RK17735-029 -----	2-99
MLB, QL 320- AN16861-018, RK18234-1; QL 320 Plus- RK18465-002 -----	2-102
QL 320 Cost Reduced- RK18465-006 -----	2-102
MLB, QL 420- AN16753-016 & RK18228-1;-----	2-104
QL 420 Plus- RK17735-002 -----	2-104
QL 420 Cost Reduced- RK17735-029-----	2-104
Belt Clip, QL 220/220 Plus, QL 320/320 Plus & QL420/420 Plus - AN16744-1 & AN16753-009 -----	2-107
D-Rings, QL 320/ 320 Plus- AN16753-010; -----	2-108
Carrying Strap, QL 220/220 Plus, QL 320/320 Plus & QL 420/ 420 Plus- AN16753-009 -----	2-108
Corner Attachment Kit, QL 320/320 Plus & QL420/420 Plus- AN16753-010 -----	2-109
Kickstand Option, QL 220/ 220 Plus, QL 320/320 Plus & QL 420/420 Plus - AN16744-1 & AN16972-022-----	2-110
Battery Replacement, QL 220/220 Plus, QL 320/ 320 Plus, & QL 420/ 420 Plus -----	2-111

SECTION 3 • QL SERIES CONFIGURATIONS AND PARTS-----3-112

Factory Repair and Parts Ordering Procedure-----	3-113
QL 220 Product Configuration Code (PCC)-----	3-114
QL 220 & 220 Plus Replacement Kits-----	3-116
QL 220 & 220 Plus Replacement Kits-----	3-117
QL 220 & 220 Plus Parts -----	3-118
Printer Mechanism Exploded View-----	3-118
QL 220 & 220 Plus Parts- Unit Exploded View -----	3-119
QL 320 & 320 Plus Product Configuration Code (PCC) -----	3-120
QL 320 & 320 Plus Replacement Kits-----	3-122
QL 320 & 320 Plus Replacement Kits-----	3-123
QL 320 & 320 Plus REPLACEMENT KITS-----	3-124
UNIT EXPLODED VIEW-----	3-124
QL 320 & 320 Plus REPLACEMENT KITS-----	3-125
PCMCIA RADIO OPTIONS-----	3-125
QL 320 & 320 Plus REPLACEMENT KITS-----	3-125
PRINTER MECHANISM -----	3-125
QL 420 & 420 Plus Product Configuration Code (PCC) -----	3-126
QL 420 & 420 Plus Replacement Kits-----	3-128
QL 420 & 420 Plus Replacement Kits-----	3-129
QL 420 & 420 Plus REPLACEMENT KITS-----	3-130
UNIT EXPLODED VIEW-----	3-130
QL 420 & 420 Plus REPLACEMENT KITS-----	3-131
PCMCIA Option -----	3-131

SECTION 1: QL INTRODUCTION

Description

The Zebra QL220, QL 220 Plus; QL320, QL 320 Plus; QL420 and QL 420 Plus Mobile Printers are low-cost, portable, direct thermal printers. They can be carried by the shoulder strap, sit on a work space, or be mounted to a specific location. They are powered by a Li-Ion battery pack which makes them particularly useful in environments where AC power is not readily available. The QL series of printers delivers traditional Zebra reliability in a transportable label printer for the mobile work environment.

Operating Modes

- **Tear-Off Mode.** The operator tears off a single label (or a strip of labels) after printing.
- **Peel-Off Mode.** The liner is peeled away from the label as it prints, the printer waits until the operator removes the label, and then the next label prints.

Printing Technology

The QL series printers utilize direct thermal printing wherein a substrate, typically paper, is coated with a chemical that changes to a dark color upon exposure to heat over a period of time to form an image.

Communications

Communications between QL series printers and a host terminal can occur in four basic ways:

- By a cable between the printer and its host terminal using either RS-232C or USB 2.0 communication protocols.
- Linking to a host terminal via Infrared (usually by means of the industry standard IrDA protocol)
- By means of a Bluetooth® short range radio frequency link.
- By means of a wireless LAN (Local Area Network) per 802.11 specifications.

User Guide

Use of this manual presumes a familiarity with the QL series printers. Complete information regarding the operation, features and specifications of the QL series printers can be found in the QL Series User Guide which can be found on-line at www.zebra.com/manuals.

DIAGNOSTIC TOOLS

This section of the Printer Repair Manual contains instructions for using the various diagnostic tools available from Zebra and instructions on contacting technical support services offered by Zebra.

Following sections contains explanations on the products configuration structure, troubleshooting guide for isolating common printer problems, illustrated parts breakdowns for specific models and specialized component replacement procedures.

Configuration Label Printout

The printer can create a configuration label which exercises all of the printhead's thermal elements and create a detailed report of the printer's settings and any special files that may be loaded into memory.

This Diagnostic label can be used as an initial tool to diagnose such basic printer problems as missing printhead elements, missing or incorrect application files or incorrect settings.

Label Vista™

Label Vista is a Windows™ based label design program, which also offers comprehensive diagnostic and utility routines. The ability to create, edit and print files and perform diagnostic tasks makes Label Vista an extremely powerful tool for maintaining the Zebra line of portable printers.

The Label Vista application may be downloaded from Zebra's Web site

Unit Test and Calibration Software

Zebra authorized service organizations have access to powerful test and calibration software which allows them to perform more advanced procedures. These procedures are identified by the following message:



The following procedure can only be performed by Zebra authorized service organizations using approved equipment and software.

If you do not have this approval, do not attempt to perform these procedures. If they are performed improperly or incompletely, the printer will not function properly.

Factory Technical Support

Refer to the "Factory Repair & Parts Ordering Procedure" topic in this Section for information on contacting technical support, ordering parts or returning your printer for repair.

PRINTING A DIAGNOSTIC LABEL

Creating a Configuration Label

1. Turn the printer off. Load the media compartment with journal media (media with no black bars printed on the back)
2. Press and hold the Feed Button.
3. Press and release the Power button and keep the Feed button pressed. When printing starts, release the Feed button.

The printer will generate a configuration label similar to the following example:

Sample Configuration Label

```

XXXXXXXXXXXXXXXXXXXXXXXXXXXXXXXXXXXXXXXXXXXXXXXXXXXXXXXXXXXXXXXXXXXXXXXXXXXXXXXXXXXXXXXXXXXXXXXXXXXX
Zebra QL420 V38.05 09/24/04
CIK: EF45 XVV703-03-0078
QL420 PLUS
Build Date Oct 6 2204 10:24:15
DEBUG BUILD
BIG ENDIAN
Testing Memory...
Memory tested and OK
Baud Rate: 19200 BPS
In-activity Timeout: 120 Secs
Low battery SWt-dam: 174

End of report.

Zebra QL420 V38.05 09/24/04
Serial Number:
XXXXXXXXXXXXXXXXXXXXXXXXXXXXXXXXXXXXXXXXXXXXXXXXXXXXXXXXXXXXXXXXXXXXXXXXXXXXXXXXXXXXXXXXXXXXXXXXXXXX
XXXXXXXXXXXXXXXXXXXXXXXXXXXXXXXXXXXXXXXXXXXXXXXXXXXXXXXXXXXXXXXXXXXXXXXXXXXXXXXXXXXXXXXXXXXXXXXXXXXX
XXXXXXXXXXXXXXXXXXXXXXXXXXXXXXXXXXXXXXXXXXXXXXXXXXXXXXXXXXXXXXXXXXXXXXXXXXXXXXXXXXXXXXXXXXXXXXXXXXXX
Name: XVV703-03-2676
Program:
Firmware: Q.422 PLUS
CHWSH:EF45
Software: SWS703q
PhySum: J0A1
Ver: L1.R00.05.L216.B21.T21.609
Cable Connections:
125200 BPS, N,8,1
Hardshare: hardware
PS: 1
Bridge mode: off
Universal Serial Bus:
2.0 Full Speed Device
Vendor ID No: 095f
Product ID No: 020d
Manufacturer String: Zebra
Product String: Q.422
Wireless Communications:
Bluetooth:
.verstun 1.3.0
.date 06/19/04
.baud 9600
.device pPrinter
.mode wire
.local_name
.authentication off
.discoverable off
.encrypted off
.address ?

TCP: Sep 17 2204 15:52:30
*LAN Enable: ON
IP Address: 10.14.4.11
Netmask: 255.255.255.0
Gateway: 10.14.4.1
MTU: 1522
TCP/IP Port: 6201
Remote Server: 0.0.0.0
Remote Server Port: 10022
TCP: ON
JDP: ON
LPD: ON
SMB: ON
BOOTP: OFF
FTP: ON
HTTP: ON
SMTP: ON
POP3: OFF
SNMP: ON
TELNET: ON
Remote... : OFF
  
```

Print Head Test

Identifies Printer as a QL Plus series

End of First Report

Unit Serial Number

Application Number

Report appears only on units with wireless options installed. Units with no wireless options will print an empty line and resume

This unit has a 802.11b radio option installed. This section details the radio's network settings

FIGURE 1: CONFIGURATION LABEL EXAMPLE

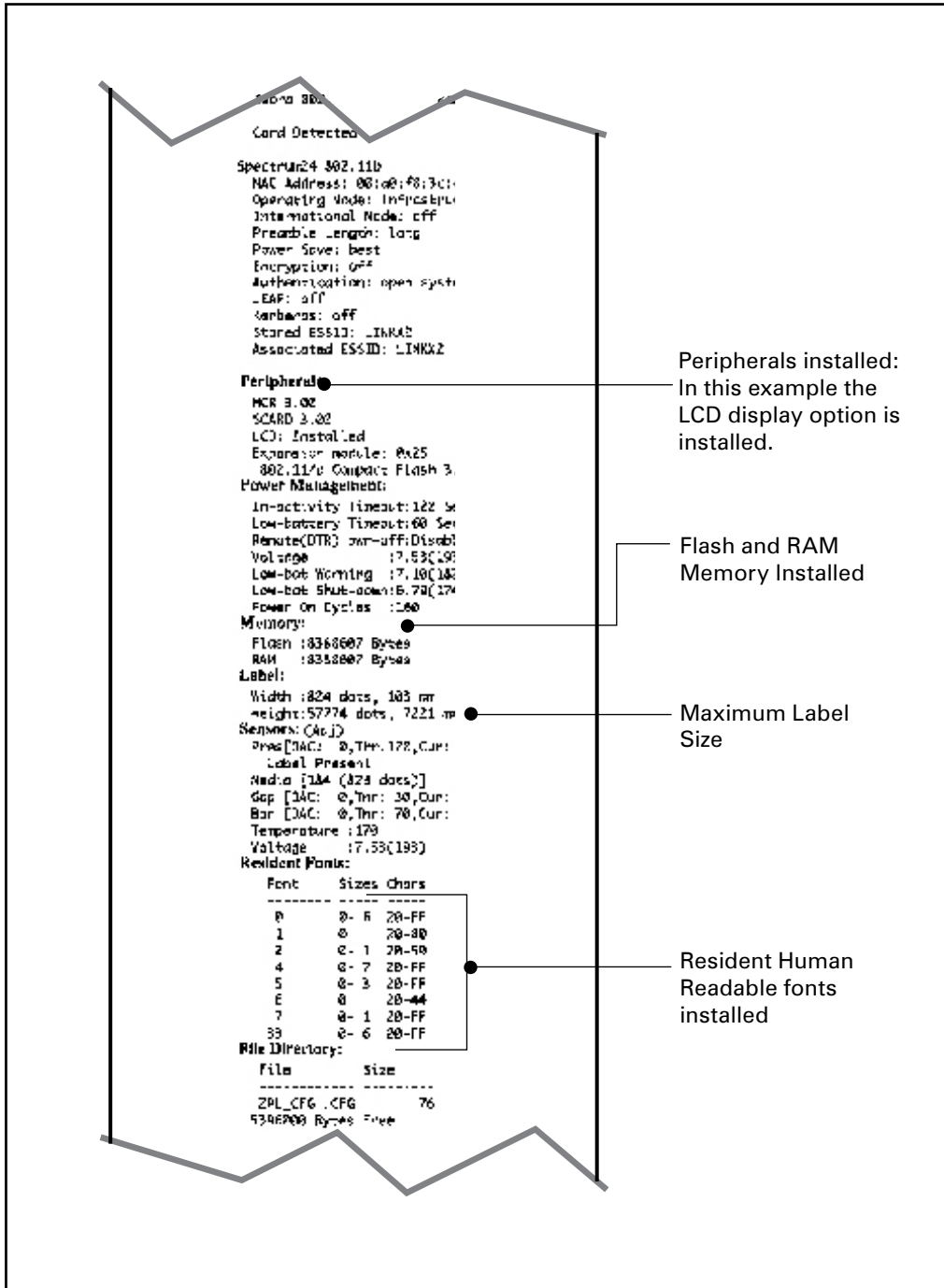


FIGURE 1A: CONFIGURATION LABEL EXAMPLE (CONTINUED)


```

5
E
7
33
File Directory:
File      Size
-----
ZPL_CFG.CFG      76
934E700 Bytes Free
Command Languages:
CGI Key: !! [ESC]
EPL2 EMULATION VER 1.3

ZPL Configuration Information
[Ver: V30.E.4 20.25 ]
[Font Ver: 1.1 ]
Tear Off.. Print Name
Non-Continuous.. Media Type
42... Darkness
428... Tear Off Adjust
1225... Label Length
72h... Control Prefix
5eh... Format Prefix
2eh... Delimiter
80... Top Position
81... Media Overlap
82... Media Head Close
83... Left Margin
832... Dots per row

End ZPL Configuration

End of report.

Press M.E.D key to
enter D.L.M.P mode.

Data mode not entered.

```

Files Loaded in Printer Memory (will include Pre-scaled or Scalable Fonts)

EPL and ZPL emulation is standard on QL Plus series

FIGURE 1B: CONFIGURATION LABEL EXAMPLE (CONTINUED)

USING LABEL VISTA

Label Vista is a program running under the Windows™ environment that allows users to design labels which can be printed on the full range of Zebra mobile printers.

Label Vista also provides a powerful set of diagnostics tools which use familiar Windows “point and click” routines. These tools can be reached under the **Printer** selection on the Label Vista menu bar. It is recommended that the Label Vista documentation package be consulted for a more detailed description of the printer diagnostics available in Label Vista.

Equipment Required For Label Vista

1. An IBM-PC Compatible with the following minimum configuration:
 - Pentium CPU
 - 256 MB RAM
 - 1.44 MB Floppy Drive
 - 1 GB Hard Drive
 - CD-ROM drive
 - SVGA 14” monitor and SVGA card
 - 2 Serial Ports, 1 Parallel Port
 - A USB port
 - Windows 95/98, NT or XP.
2. Serial Interface Cable part number BL17205-2 (or a Zebra approved equivalent), or a USB interface cable part number AT17010-1.
3. Digital Multimeter (Fluke 77 or similar) w/ minimum impedance >100 KΩ
4. Spare batteries, charger and test media specific to the printer. Refer to the table in the “Tools and Supplies” topic in Section 2 of this manual.

Starting Label Vista

1. Plug the 9 pin “D”-sub connector from the serial interface cable into a serial communications port (COM1 or COM2) on your computer. If you are using USB communications, plug the USB cable into the port on your PC
2. Plug the other end of the interface cable into either the serial I/O port of the printer. or the USB port directly above it.
3. Start the Label Vista program by either clicking on the Label Vista shortcut on your desk top, or using the “Start” button.
4. Use Label Vista’s extensive built-in Help topics for instructions on using its many design, editing and diagnostic features.

continued

USING LABEL VISTA

Equipment Required

1. A computer with the following minimum configuration:
 - Pentium CPU
 - 256 MB RAM
 - 1.44 MB Floppy Drive
 - 1 GB Hard Drive
 - CD-ROM drive
 - SVGA 14 in. monitor and SVGA card
 - 2 Serial Ports
 - USB Port
 - Windows 95/9, NT or 2000
 - Unit Test Software version 3.3 or higher installed with the "euro" configuration.
2. A bar code scanner, using either RS232 (serial) keyboard "wedge" or USB communications. (Example: Symbol Model LS1908 series)
3. Serial Interface Cable part number AK18350-1 (or a Zebra approved equivalent).
4. Spare batteries, charger and test media specific to the printer. Refer to the table in the "Tools and Supplies" topic in Section 2 of this manual.
5. Sensor calibration swatches: p/n AA15417-1 (gray) and p/n AA15417-2 (white)
These swatches are included in Spares Kit AN16753-029C.

Running The Software

CAUTION: DO NOT disconnect the communications cable at any time during the Unit Test procedure unless prompted to do so by the software!



Certain replacement procedures in this manual will require running the test procedure to verify a repair. It is recommended that you perform the entire unit test sequence for these procedures to verify all printer functions after the replacement.

To Start

- Launch the Unit Test Application.
- Plug the Serial Interface Cable into the printer's communication port.
- Follow the on-screen instructions.

SECTION 2 • QL REPAIR PROCEDURES

USING THE QL PRODUCT CONFIGURATION CODE

Each QL series printer has a 15 digit Product Configuration Code (PCC) label on the bottom of the unit. This code is explained by the charts for the respective printers in Section 3.

When ordering replacement parts use the PCC code to ascertain the features installed on your printer. Then use the exploded view of the printer on the following pages to determine which replacement kits should be ordered.

QL COMPONENT REPLACEMENT PROCEDURES

The procedures in this section detail how to install components included in the various QL series replacement kits.

It is highly recommended that you do not install any components which would alter the printers configurations status (e.g. changing the type of wireless module).

If you ever have to send your printer back to the Factory Service Center (FSC), your printer will be updated as necessary to conform with the printer's configuration as shipped from the factory and as described by the product configuration number on the unit..



If the product configuration number does not properly identify the printer's actual configuration, any changes you have made to the printer may be removed should it be returned to Zebra for servicing.

If you have to contact Zebra's technical support staff, you will be asked for your unit's configuration number. If the configuration number you supply does not correspond to the printer's actual status, any technical support you receive may not be accurate.

ADDITIONAL INFORMATION

Some procedures provide additional information in the form of short video clips which depict the repair procedure.

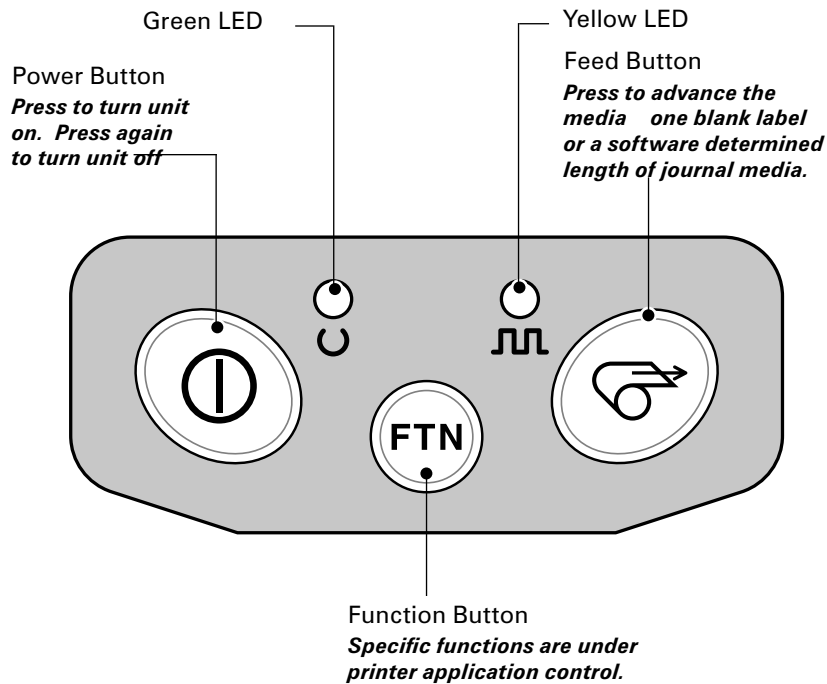


Clicking on this icon on the procedure pages will link you to the appropriate video clip for this procedure. You must have software installed on your computer which allows viewing of QuickTime™ movies.

TROUBLESHOOTING

STANDARD CONTROL PANEL

If the printer is not functioning properly, refer to the chart below to find the state of the two LEDs on the Control Panel. Then refer to the Troubleshooting topic referenced in the chart to resolve the problem.



Green LED	Yellow LED	Indication	Ref. to Topic
Steady	Off	Normal Operation, and/or RF Link established	n/a
Off	Off	Power Off	1
Fast Blink	Off	No RF Link	6, 11
Slow Blink	Off	Low Battery	3, 6, 7
Steady	Steady	Out of media, or Media Cover not closed	9, 11
Steady	Fast Blink	Normal RF activity	8
Steady	Fast Blink, Beeper Sounds	No application	8

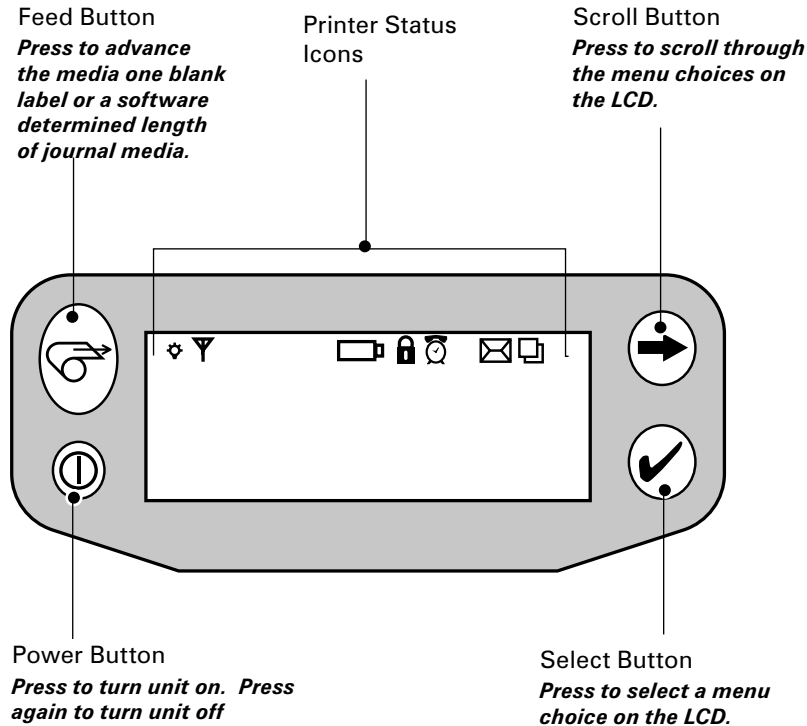
OPTIONAL LCD CONTROL PANEL

The top of the display shows several icons which indicate various printer functions. Check the indicator status, then refer to the Troubleshooting topic referenced in the

chart to resolve the problem.

Troubleshooting Topics

1. No power



Status Icon	Condition	Indication	Ref. to Topic
⊕	Steady	Bluetooth Link established	n/a
	Flashing	Data transmission via Bluetooth	n/a
	Off	No Bluetooth link	6
📶	Steady	RF Link established	n/a
	Off	No RF Link	6
🔋	Flashing	Low Battery	3, 6, 7
🔒	Flashing	Head latch not closed	9, 11
🕒	Flashing	Printer Activity	n/a
✉️	Flashing	Printer is receiving a file	8
📄	Flashing	Out of media,	9, 11
Blank Screen	n/a	No application	1,13

- Check that battery is installed properly
- Recharge or replace battery as necessary.

2. Media does not feed:

- Be sure printhead is closed and latched.
- Check spindle holding media for any binding.
- If unit is equipped with label presence sensor:
Insure most recently printed label is removed.
Also insure label sensor is not blocked.

3. Poor or faded print or  flashing:

- Clean printhead.
- Check battery and recharge or replace as necessary
- Check quality of media.

4. Partial/missing print:

- Check media alignment
- Clean printhead.
- Insure printhead is properly closed and latched.

5. Garbled print:

- Check baud rate.

6. No print:

- Check baud rate
- Replace battery
- Check cable to terminal
- Establish RF Link (Wireless units only) or restore LAN associativity (QL 420 WLAN models only)
- Invalid label format or command structure — put printer in Communications Diagnostic (Hex Dump) Mode to diagnose problem.

7. Reduced battery life

- Check battery date code — if battery is one to two years old, short life may be due to normal aging.
- Recondition battery.
- Replace battery.

8. Yellow error light or  flashing:

- No application or application corrupted: reload program.
- If using wireless communications: flashing indicator is normal while data is being transmitted or received.

9. Yellow error light always on;  or  flashing:

- Check that media is loaded and printhead is closed and securely latched.

10. Skips labels:

- Check media for top of form sense mark or label gap.
- Check that the maximum print field has not been exceeded on label.
- Insure bar/ or gap sensor is not blocked or malfunctioning

11. Communication Error:

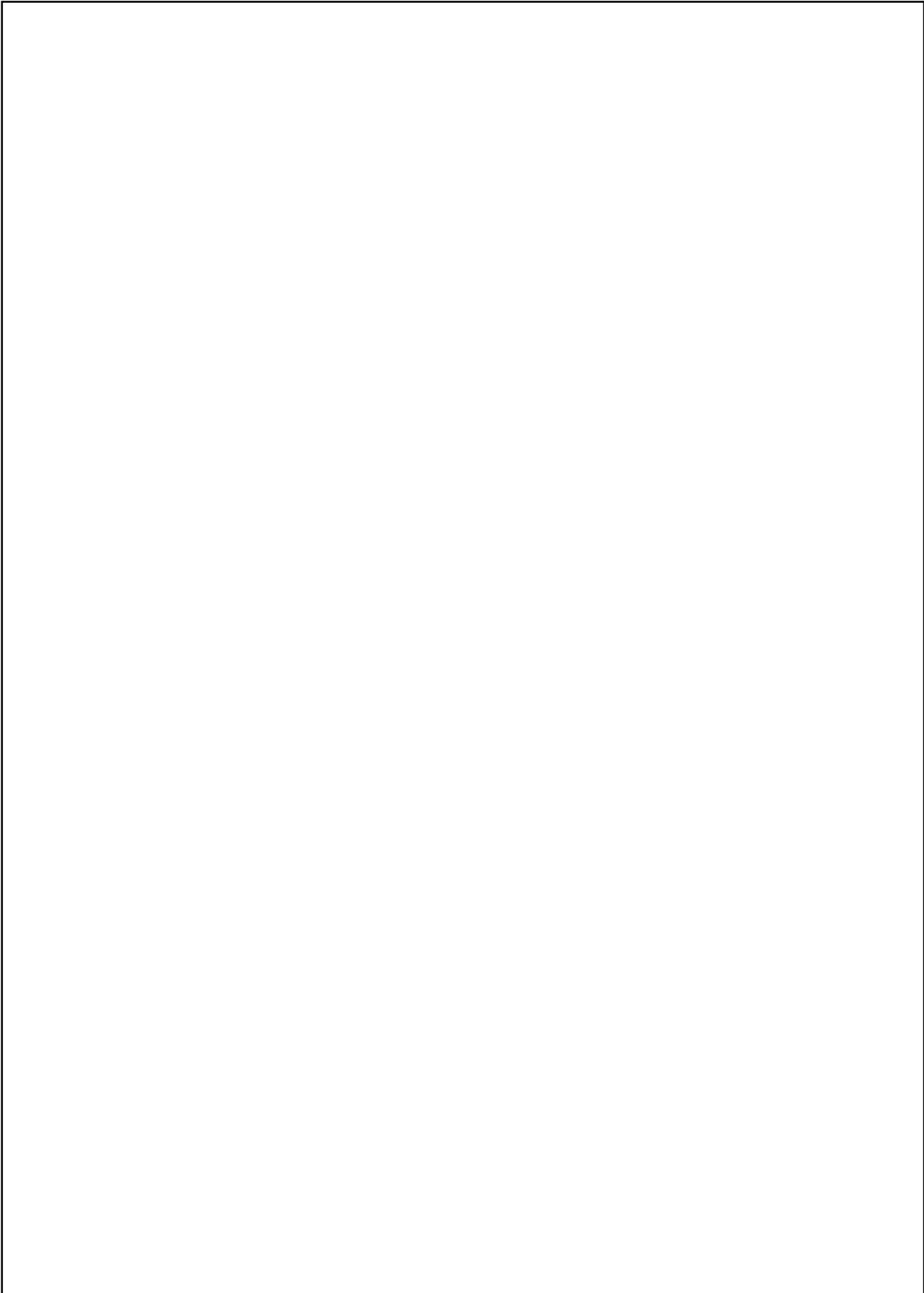
- Check media is loaded, head is closed and error light is off.
- Check baud rate.
- Replace cable to terminal.

12. Label Jam:

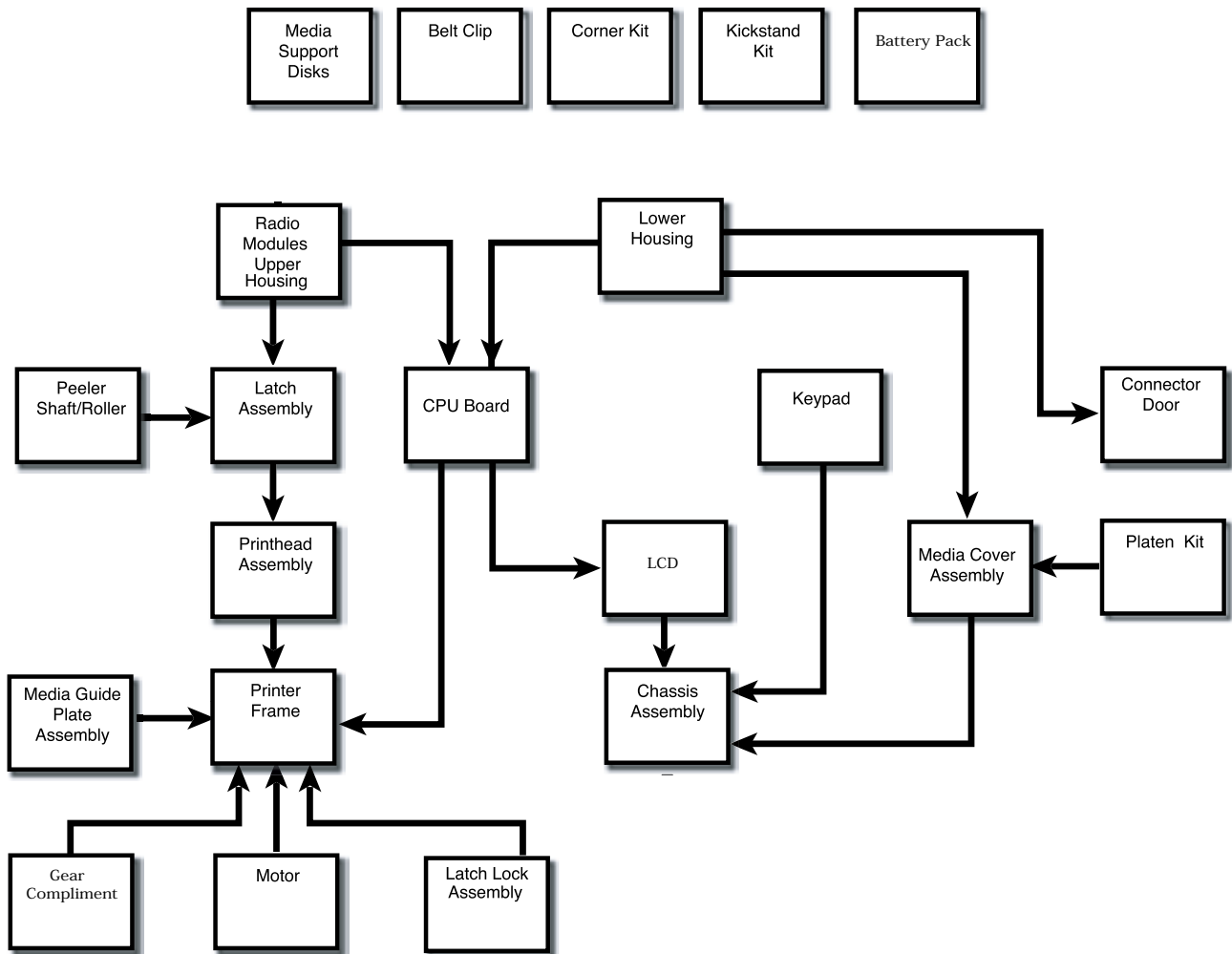
- Open head release latch and media cover.
- Generously apply alcohol to printer in area of jammed label.

13. Blank LCD Screen (only for units with optional LCD control panel)

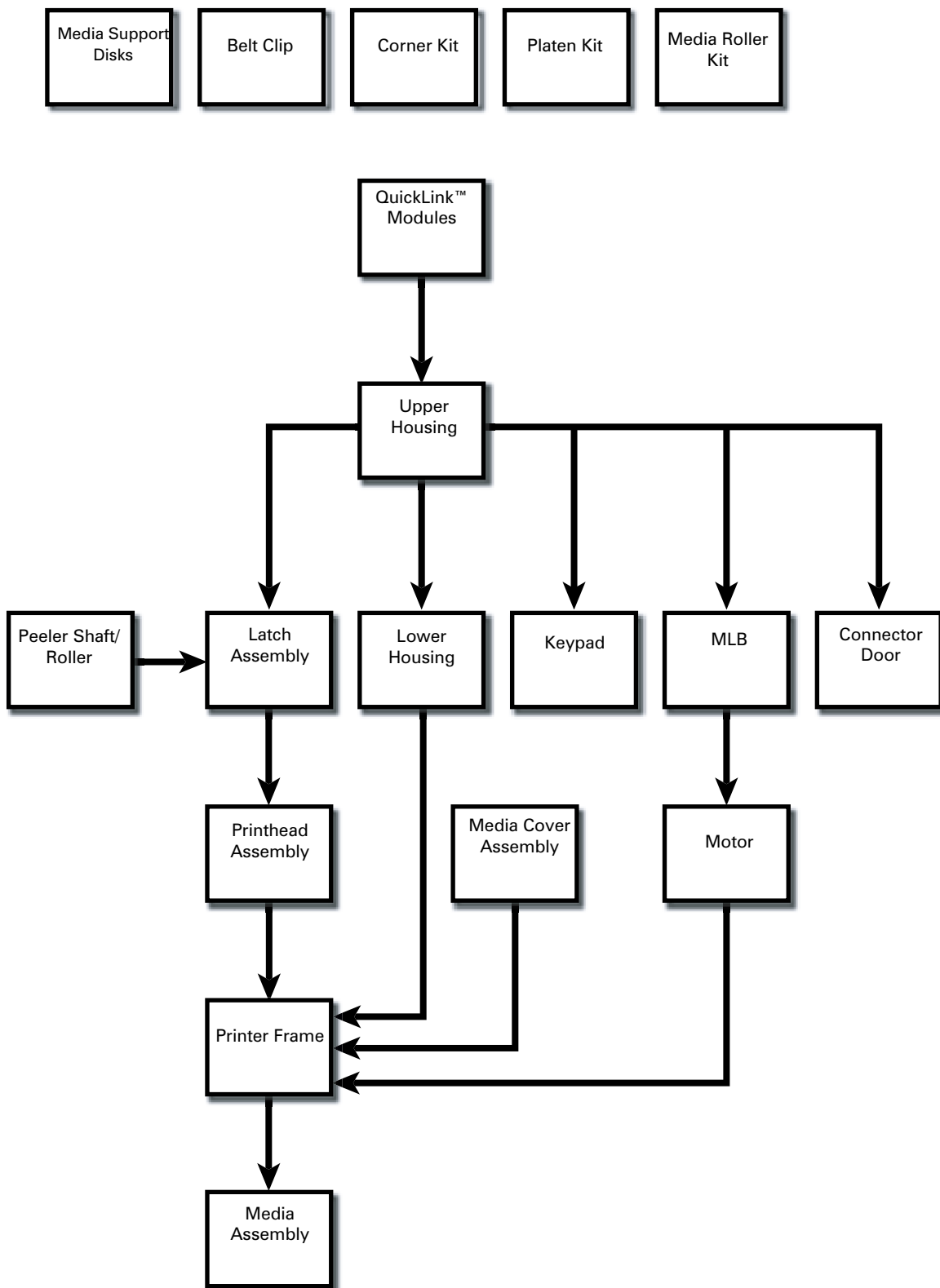
- No application loaded or application corrupted: reload program.



QL220/220 PLUS REPAIR PATH



QL320 & QL420 REPAIR PATH



TOOLS AND SUPPLIES

Make use of the following tools and supplies for maintaining the printer and installing the repair kits:

HAND TOOLS

- #1 Phillips Head Screw Driver
- 3/32" hex driver

SPECIAL TOOLS (OPTIONAL)

- AU16259-1 Printhead Spring Tool
- AU16266-1 Gap Sensor Assy installation tool

SUPPLIES

- Cleaning Pen (10 pack), p/n AN11209-1
- Cleaning Kit with Cleaning Pen, and Cotton Swabs p/n AT702-1
- Isopropyl alcohol
- SuperLube™ lubricant p/n 82325 SL
- Spares Kit AN16753-029, consisting of:
 - Eye Sensor Calibration Swatch p/n AA15417-1
 - Gap Sensor Calibration Swatch p/n AA15417-2
- Media, Batteries, and Chargers for QL series printers per table below:

Mobile Printer Model #	Journal Media (for Life Test)	Label Media (for Gap test)	Tag Media	Label Media	Battery	Charger and/or Conditioner
QL 220/220+	LD-D2RP5B	LD-D2YL5R	LD-D2TP5W	LD-R5LF5E	AT16004-1	AT17696-1 or AT16305-4*
QL 320/320+	LD-R3RS2J	LD-D3AF7K	LD-3TP5H	LD-R3LF7Q	AT16004-1	AT17696-1 or AT16305-4*
QL 420/420+	LD-D4FN6K	LD-D4YL5K	LD-D4TP5L	LD-R4LFSP	AT16293-1	AT17696-1 or AT16305-4*

** US version only. Consult factory for charger part numbers compatible with other locations.*

STORAGE AND HANDLING

HANDLING:

The use of an ESD wrist strap at a properly grounded workstation is required when handling printed circuit boards or other sensitive electronic components. The ESD strap prevents any electro-static damage to occur while assembling these components. The use of the ESD strap will be noted in the applicable instructions.



Use of the ESD strap will be noted in the instructions by this symbol.

STORAGE

Replacement kits which are sensitive to ESD damage are supplied in static resistant packaging. Always keep these parts in their original packaging until they are to be installed.

MEDIA COVER, QL 220- RK18236-1 & QL220 PLUS- RK17735-015



You must use an ESD strap and work at a properly grounded workstation (antistatic mat or tray). All electronic components must be placed on an ESD protective tray. If stored, any electronic components must be placed in antistatic bags.

Tools Needed

#1 Phillips head screwdriver

$\frac{3}{32}$ " Hex Driver

Removing the Media Cover

1. Turn the printer off and remove the battery pack.
2. Remove the Upper Housing.
3. Press the latch release button and open the Media Cover as though loading media. Remove any media from the printer.
4. Remove Printer Chassis from the Lower Housing. Retain the screws.
5. Unlock the connector and remove the Bar Sense Cable from J2 on the MLB. Carefully peel the Bar Sense cable from the bottom of the Printer Chassis.
6. Press the Hinge Pin out of the Printer Chassis and remove the Media Cover. Use the $\frac{3}{32}$ " hex driver to get the pin started. Lift the Media Cover from the Printer Chassis.
7. If necessary, remove the Platen and Gear and/or the Peeler Bar or Scraper

Installing the Media Cover

1. Feed the Bar Sense Cable through the slot in the Printer Chassis as shown.
2. Align the Media Cover with the Printer Chassis and slide the Hinge Pin through the Media Cover and Printer Chassis. Center the pin.

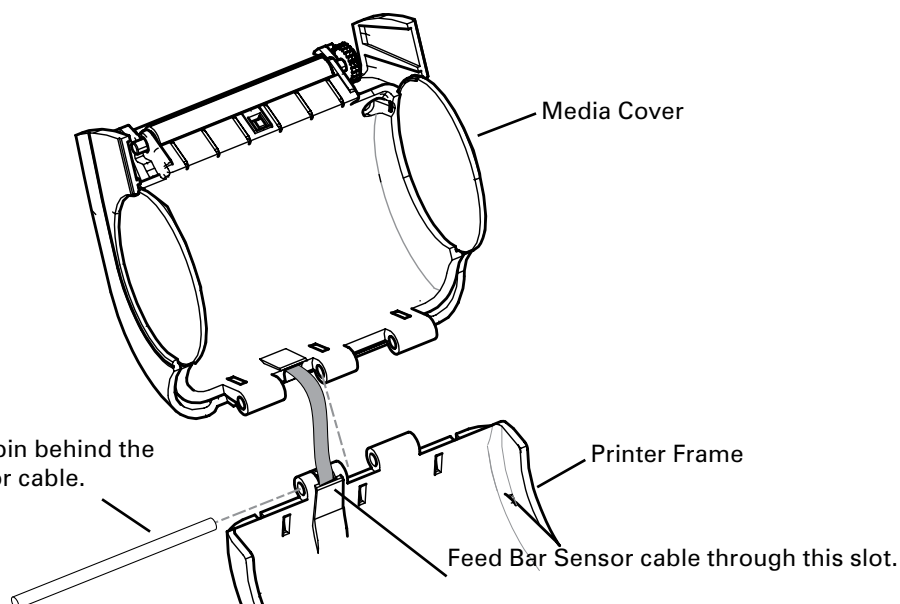


Slide the hinge pin behind the Bar Sense Cable.

3. Peel the backing off the bar sensor cable and adhere it in the groove on the bot-



Hinge Pin
Slide the pin behind the
Bar Sensor cable.



tom of the Printer Frame.

4. Plug the Bar Sensor Cable into J2 (BAR) on the MLB and lock the connector.
5. Install the Printer Chassis in the Lower Housing.
6. If necessary, install the Platen and Gear.
7. Install the Upper Housing.
8. Calibrate the Sensors.



This procedure can only be performed by Zebra certified personnel using special equipment and software.

Using the gray and white swatches, follow the on-screen instructions on the unit test and set-up software to properly calibrate the sensors. It is recommended that the complete unit test procedure be performed.

MEDIA COVER, QL 320, QL 320 PLUS & QL 420, QL 420 PLUS



You must use an ESD strap and work at a properly grounded workstation (antistatic mat or tray). All electronic components must be placed on an ESD protective tray. If stored, any electronic components must be placed in antistatic bags.

Model	Kit p/n	Comments
QL 320	AN16861-023	units built prior to 1/22/03
	AN16861-024	units built after 1/22/03
QL 320 Plus	RK18465-001	
QL 420	RK18231-1	
QL 420 Plus	RK17735-001	

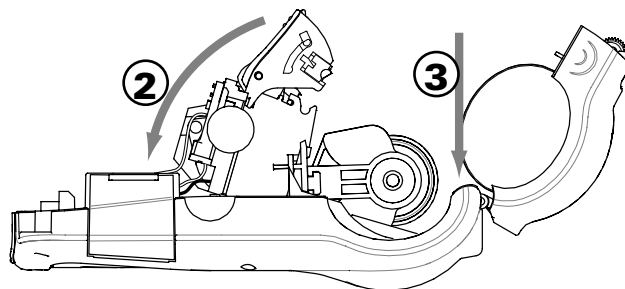
Tools Needed

#1 Phillips head screwdriver

$\frac{3}{32}$ " Hex Driver

Removing the Media Cover

1. Turn the printer off and remove the battery pack.
2. Remove the QuickLink Module.
3. Remove the Upper Housing.
4. Press the latch release button and open the Media Cover. Remove any media from the printer.
5. Unlock the connector and remove the Bar Sense Cable from J2 on the MLB.
7. Remove the Printer Frame from the Lower Housing. Carefully pivot the printer frame out of the Lower Housing (#2 below) and lift the Media Cover clear of the Lower Housing (#3 below).

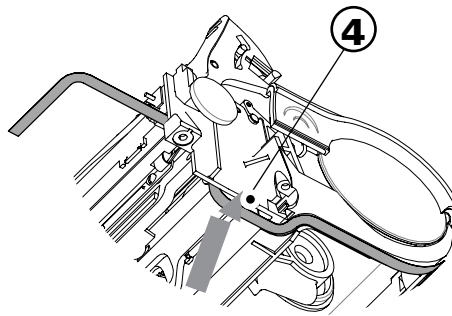


Avoid putting excess strain on the remaining cables connected to the MLB.

8. If necessary, remove the Platen and Gear and/or the Peeler Bar or Scraper from the Media Cover Assembly.
9. Remove the Bar Sense Cable from the Printer Frame. Carefully peel the Bar

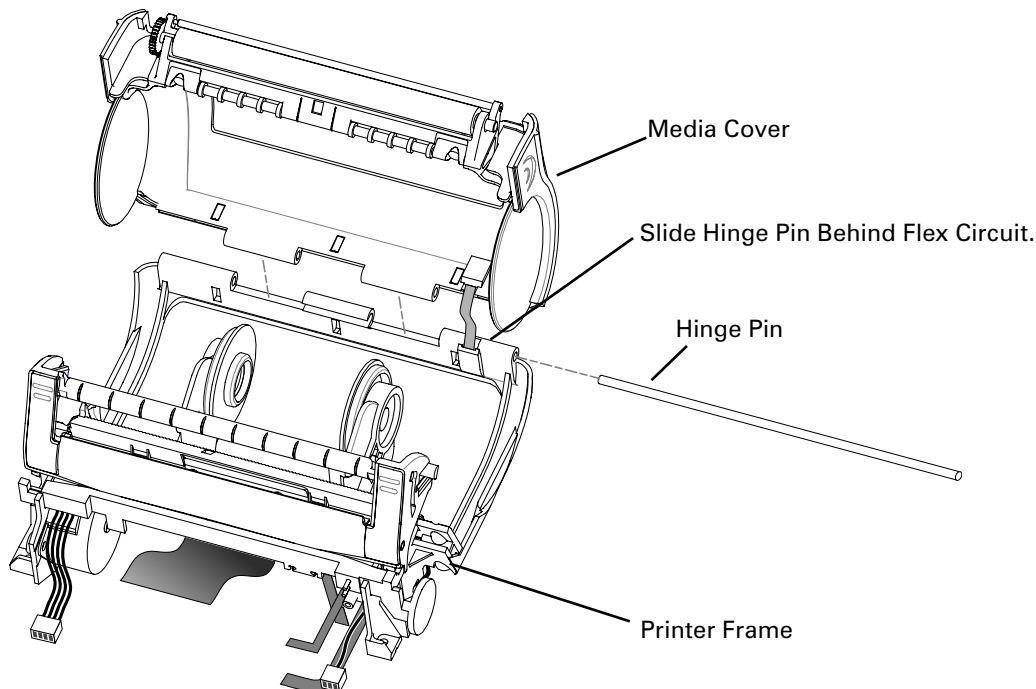
Sense cable off the bottom of the Printer Frame (#4 below).

10. Remove the Media Cover. Using a 3/32" hex driver, push the Hinge Pin out of



the Printer Frame, and then lift the Media Cover from the Printer Frame.

Installing the Media Cover



1. Feed the Bar Sense Cable through the slot in the Printer Frame as shown.
2. Align the Media Cover with the Printer Frame and slide the Hinge Pin through the Media Cover and Printer frame. Center the pin.



Slide the hinge pin behind the Bar Sense Cable.

3. Peel the backing off the bar sensor cable and adhere it in the groove on the bottom of the Printer Frame.
4. Install the Printer Frame in the Lower Housing.



Avoid putting excess strain on the remaining cables connected to the MLB.

5. Plug the Bar Sensor Cable into J2 (BAR) on the MLB and lock the connector.
- 6a. If necessary, re-install the Platen and Gear and/or the Peeler Bar or Scraper on

the QL 320.



Important note for QL 320 units built before 1/20/03. Use of Media Cover Replacement Kit AN16861-023 requires the use of the Platen and Gear Assemblies included in Replacement Kits AN16861-035 (linered) and -036 (linerless). You will not be able to use the original Platen and Gear Assemblies supplied with the printer.

Refer to the platen replacement Procedures for AN16861-013 or -014 for QL 320 units built after 1/20/03.

- 6b. If necessary, replace the Media Guide Rollers (AN 16753-003 or -004) and the Platen, Gear and the Peeler Bar or Scraper on the QL 420
(Refer to Procedures for AN16753-021 or -022)
7. Install the Upper Housing.
8. Install the QuickLink module.
9. Calibrate the Sensors.



This procedure can only be performed by Zebra certified personnel using special equipment and software.

Using the gray and white swatches, follow the on-screen instructions on the unit test and set-up software to properly calibrate the sensors. It is recommended that the complete unit test procedure be performed.

MEDIA GUIDE PLATE ASSEMBLY, QL220/220 PLUS



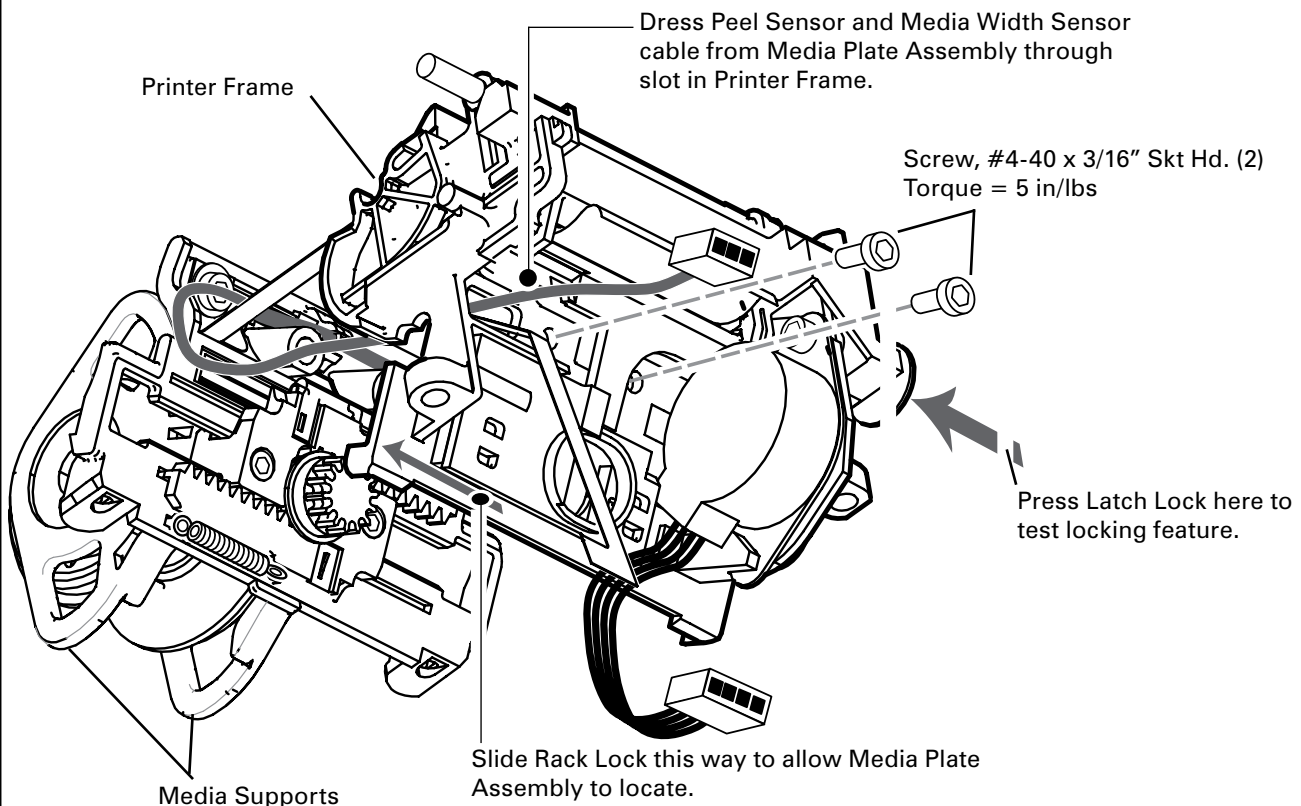
You must use an ESD strap and work at a properly grounded workstation (antistatic mat or tray). All electronic components must be placed on an ESD protective tray. If stored, any electronic components must be placed in antistatic bags.

Kit p/n	Description	Type
AN16972-007	KIT REPAIR QL2 MEDIA GUIDE PLA	Rack and Pinion
AN16972-023	KIT REPAIR QL2 MEDIA GUIDE ASSy w/ MW	Rack and Pinion
RK18467-001	KIT RPR QL2 MEDIA GUIDE W/BELT	Belt/ Linerless Media
RK18467-002	KIT QL2 MEDIA GUIDE LNL W/BELT	Belt/Linerless Media



Removing the Media Guide Plate Assembly

1. Turn the printer off and remove the battery pack.
2. Remove the Upper Housing.
3. Remove the Lower Housing.
4. Unplug the following cables from the MLB: J5 (Label Presence Sensor), J10 (Gap Sensor). If unit has the Media Width Sensor, unplug J11 from the bottom of the board.
5. Unplug the keypad or LCD connectors from the MLB.
6. Remove the 2 screws retaining the printer frame to the chassis. Carefully remove the MLB and Printer Frame from the chassis, avoiding cable strain.



7. Remove and retain the Screws securing the Media Guide Plate Assembly to the Printer.
8. Remove the optional Media Width Sensor. If the Printer is equipped with the Media Width Sensor, pull the sensor cable free of the Printer Frame.
9. Remove the Media Guide Plate Assembly. Rock the Media Guide Plate Assembly forward and then lift it away from the Printer Frame. Keep the Gap Sensor Cable with the Media Guide Plate Assembly. Retain all components.

Installing the Media Guide Plate Assembly

1. Fold the Gap Sensor Cable and dress it through the slot near the side of the Printer Frame.
2. Dress the (optional) Media Width Sensor Cable through the slot near the side of the Printer Frame.
3. Insert the Pinion Gear in the round hole that accesses the rack gear and slip the Media Guide Plate Assembly into the slot in the bottom of the Printer Frame. The tab on the bottom of the Media Guide Plate Assembly fits into the slot in the bottom of the printer frame. Push the Media Guide Plate Assembly against the Printer Frame.
4. Insert screws from the motor side of the Printer Frame and secure the Media Guide Plate Assembly to the Printer Frame. Do not pinch any cables.
5. Plug the Gap Sensor cable and (optional) Media Width Sensor Cable into the MLB and lock the connectors.
6. Make sure that the Media Supports move freely with the Latch open.
7. Install the MLB and Printer Frame into the chassis.
8. Plug the keypad or LCD cables into the MLB.
9. Install the chassis and Printer Frame to the Lower Housing.
10. Install the Upper Housing.

MEDIA GUIDE ASSEMBLY, QL320/320 PLUS



You must use an ESD strap and work at a properly grounded workstation (antistatic mat or tray). All electronic components must be placed on an ESD protective tray. If stored, any electronic components must be placed in antistatic bags.

Kit p/n	Description
RK16823-043	KIT RPR QL320 MEDIA GUIDE/MW
RK18460-1	KIT RPR QL3 MEDIA GUIDE W/BELT
RK18461-1	KIT QL3 MEDIA GUIDE LNL W/BELT
RK18462-1	KIT QL3 MEDIA GUIDE MW W/BELT
RK18463-1	KIT QL3 MEDIA GUIDE LNL MWBELT

Tools needed

#1 Phillips Head Screwdriver.
3/32" hex driver

Removing the Media Assembly

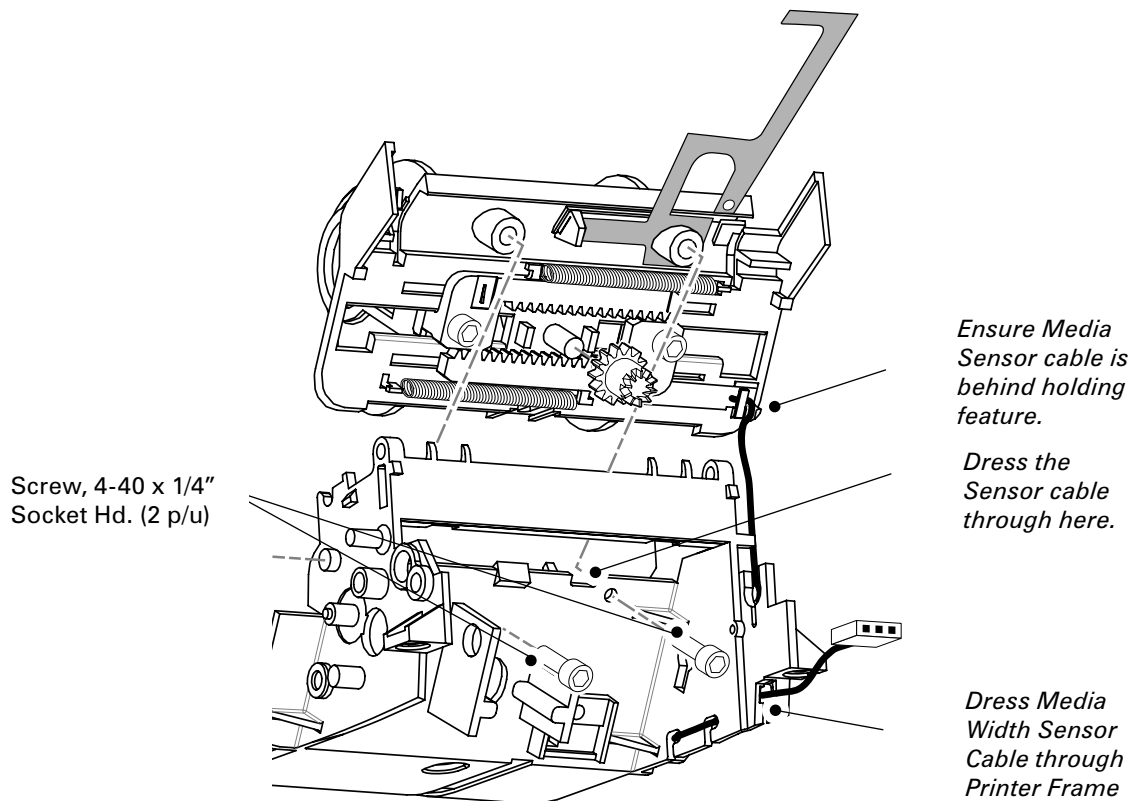
1. Turn the printer off and remove the battery pack.
2. Remove the QuickLink Module and retain the parts.
3. Remove the Upper Housing and retain the parts.
4. Unplug the following cables from the MLB: J5 (Label Presence Sensor), J10 (Gap Sensor). If unit has the Media Width Sensor option, unplug J11 from the bottom of the board. Unplug the Printhead, Motor, Head-up switch, and Bar sense cables from the MLB.
5. Remove the Printer Frame and Media Cover and retain the parts.
6. Remove the Gap Sensor Cable Ground from the Printhead.
7. Remove and retain the Screws securing the Media Assembly to the Printer.
8. If the Printer is equipped with the Media Width Sensor option, pull the sensor cable free of the Printer Frame.
9. Remove the Media Assembly. Rock the Media Assembly forward and then lift it away from the Printer Frame. Keep the Gap Sensor Cable with the Media Assembly.

Installing the Media Assembly

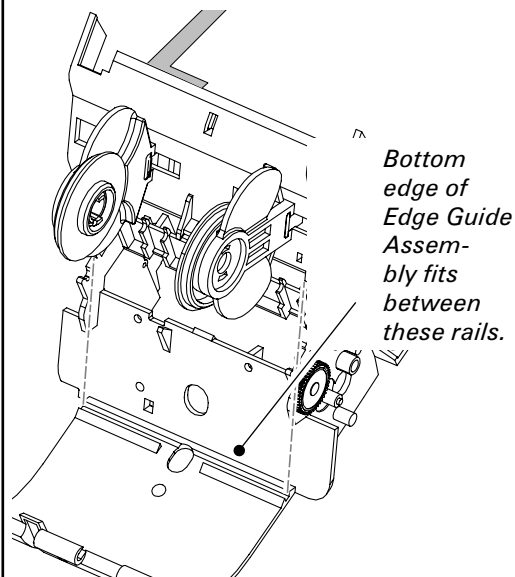
1. All Repair Kits: Assemble the Gap Sensor
Insert the sensor on the Gap Sensor Cable into the Plate, Edge Guide as shown. The large hole in the cable will fit over the mounting boss on the Plate, Edge guide. Dress the grounding strap portion of the cable assembly away from the Plate Edge Guide as shown.
2. For RK16823-043 Only
Install the Gear, 32P, 14T on the Edge Guide Assembly. Squeeze the two media Supports together as far as they will travel. Slide the Gear 32P, 14T over the shaft on the Edge Guide Sub-Assembly, engaging the teeth on the two racks with the teeth on the gear.
3. All Repair Kits: Install the Media Assembly

Slip the Media Assembly into the slot in the Printer Frame. RK16823-043, RK18462-1, RK18463-1: The Media Width cable is dressed through two slots and a tab in the Printer Frame as shown.

- The Gap Sensor Cable must be folded over and dressed through the slot on the printer frame as shown. Ensure it is not pinched before securing the Media Assembly.



- Secure the Media Assembly to the Printer Frame with screws from the motor side of the Printer Frame. Do not pinch any cables.
- Secure the Gap Sensor Cable Ground to the Printhead.



- Install the Printer Frame to the Lower Housing.
- Plug in the Bar Sensor Cable, the Label Presence Sensor and the optional Media Width Sensor to the MLB. Plug the Printhead, Motor, Head-up switch, and Bar sense cables into the MLB.
- Install the Upper Housing. Ensure that the "D"-Rings or optional hand strap components are installed.
- Install the QuickLink Module.
- Install the battery.
- Test the Printer.

MEDIA GUIDE ASSEMBLY, QL420/420 PLUS



You must use an ESD strap and work at a properly grounded workstation (antistatic mat or tray). All electronic components must be placed on an ESD protective tray. If stored, any electronic components must be placed in antistatic bags.

Kit p/n	Description	Type
RK18466-002	QL4 Linerless	Belt
RK18466-003	QL4 w/ Media Width	Belt
RK18466-004	QL4 Linerless w/Media Width	Belt
AN16753-001	QL4 Media Assy	Gear

Tools needed

#1 Phillips Head Screwdriver.

$\frac{3}{32}$ " hex driver

Removing the Media Assembly

1. Turn the printer off and remove the battery pack.
2. Remove the QuickLink Module and retain the parts.
3. Remove the Upper Housing and retain the parts.
4. Unplug the following cables from the MLB: J5 (Label Presence Sensor), J10 (Gap Sensor). If unit has the Media Width Sensor option, unplug J11 from the bottom of the board. Unplug the Printhead, Motor, Head-up switch, and Bar sense cables from the MLB.
5. Remove the Printer Frame and Media Cover and retain the parts.
7. Remove the Gap Sensor Cable Ground from the Printhead.
8. Remove and retain the Screws securing the Media Assembly to the Printer.
9. Remove the optional Media Width Sensor. If the Printer is equipped with the Media Width Sensor option, pull the sensor cable free of the Printer Frame.
10. Remove the Media Assembly. Rock the Media Assembly forward and then lift it away from the Printer Frame. Keep the Gap Sensor Cable with the Media Assembly.

Installing the Media Assembly

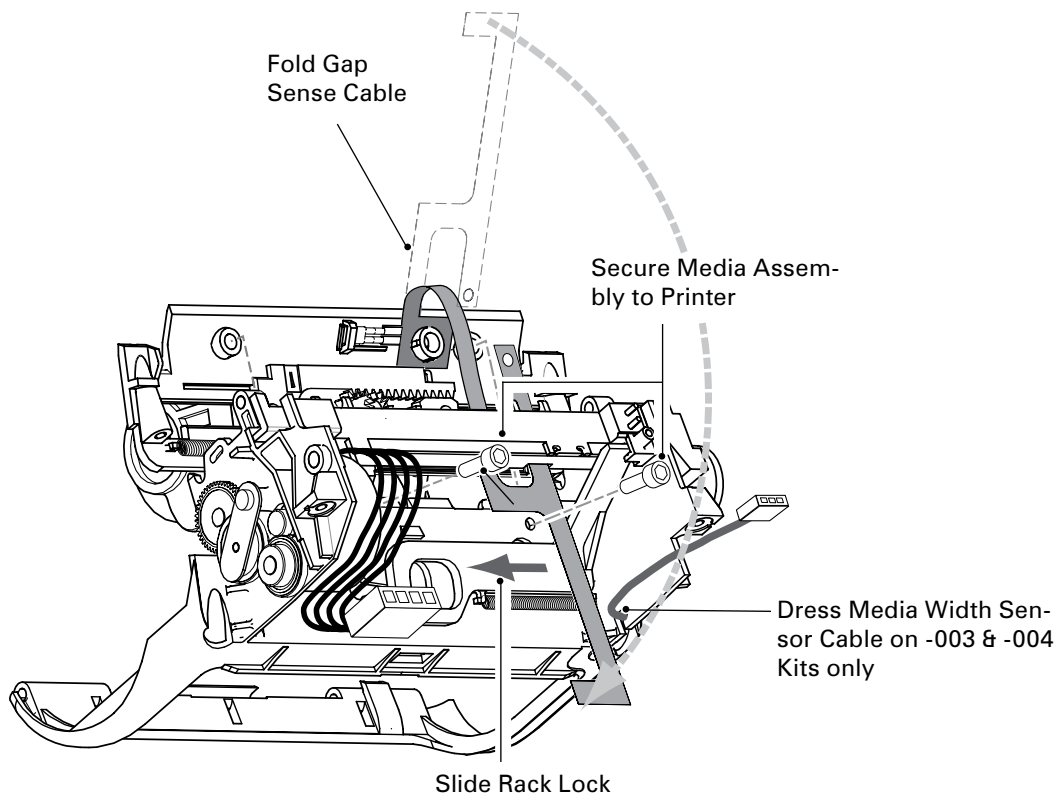
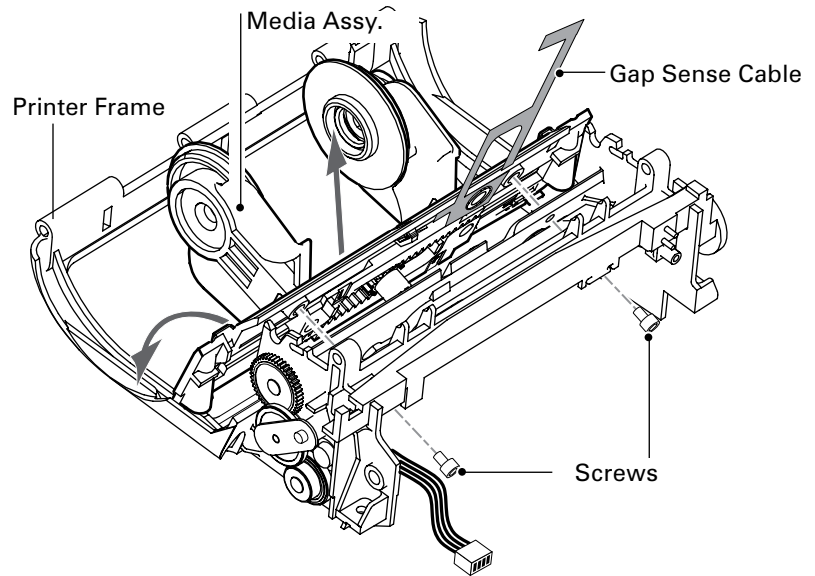
1. Install the Media Assembly: Slip the Media Assembly into the slot in the Printer Frame. Note that the tab on the bottom of the Media Assembly fits into the slot on the bottom of the printer frame. On -003 and -004 kits only: Dress the Media Width Sensor Assembly through the Printer Frame



Note: Pull the Rack Lock to the left as shown in this view while assembling to allow the Media Assembly to sit in the printer frame. Dress the (optional) Media Width Sensor Assembly through the slot in the side of the Printer Frame

2. Dress the Gap Sensor Cable. Fold the Gap Sensor Cable and dress it through the slot on the printer frame.
3. Secure the Media Assembly to the Printer Frame with screws from the motor side of the Printer Frame. Do not pinch any cables.
5. Secure the Gap Sensor Cable Ground to the Printhead.

6. Dress the (optional) Width Sensor Cable through the Printer and secure the Cable.
8. Install the Printer Frame to the Lower Housing.
9. Plug in the Bar Sensor Cable, the Label Presence Sensor and the optional Media Width Sensor to the MLB. Plug the Printhead, Motor, Head-up switch, and Bar sense cables into the MLB.
10. Install the Upper Housing. Ensure that the "D"-Rings or optional hand strap components are installed.
11. Install the QuickLink Module.
12. Install the battery.
13. Test the Printer.



MEDIA SUPPORT DISKS, QL SERIES

Model	Kit	Media Type
QL 220/220 Plus	AN16972-005	Linered
QL 320	AN16861-030/-031	Linered
QL320/320 Plus & QL420/420 Plus	AN16753-026	Linerless
QL420/420 Plus	AN16753-002	Linered

Tools Needed

#1 Phillips head screwdriver

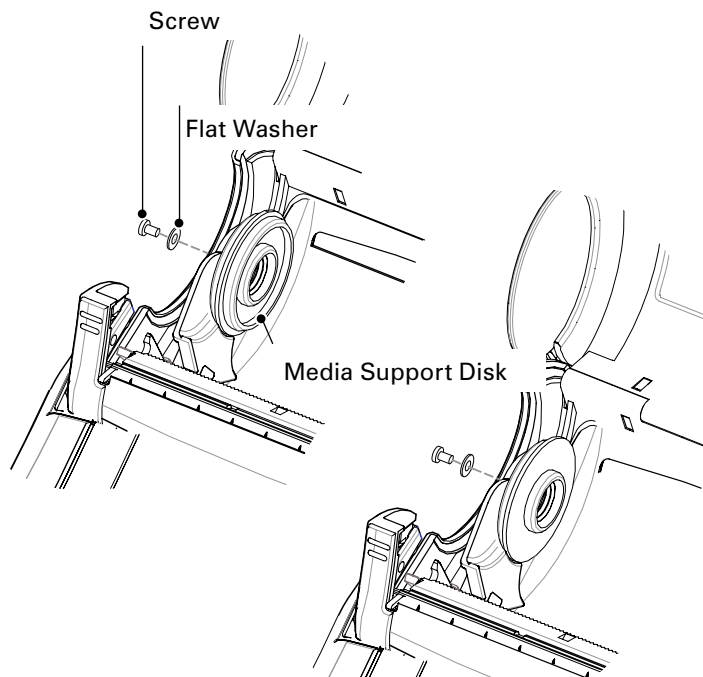
Remove the Media Support Disks

1. Turn off the unit, open the Media Cover and remove any media loaded in the printer. (Refer to User's Manual.)
2. Remove the existing Support Disks by removing the screw and flat washer securing them to the Media Supports.

Install new Media Support Disks

Media Support Disks for lined media are smoke colored. Media Support Disks for linerless media are colorless (clear). Both are assembled the same way.

1. Determine Media Core Size. Determine which media core size you will be using. The media core width is set by flipping the media disks so that the supports for the desired core size faces towards the inside of the printer. Printers using media with a $1 \frac{3}{8}$ " core must have the Media Disks adjusted to use this media.





Note: Both Support Disks must be set to use the same diameter core.

2. Assemble the Disks. Hold the Support Disk against the Media Support and secure with the Flat Washer and the Screw as shown above.
3. Repeat this procedure for the opposite side.

Changing the Media Core Size

The printer is adjusted at the factory for media with a 3/4" core. If you need to use media with a larger core, do the following:

1. Remove and retain the Screw and Washer from a Media Support as described above. Flip the Media Disk end-for-end, and reassemble to the Media Support with the retained hardware. The re-assembled Disks should look like the illustration on the left hand side of Figure 1.
2. Repeat this procedure for the other Media Support.

Changing Media type

If you are changing the printer from lined to linerless media you will need to do the following:

1. Remove the Platen Assembly and replace it with a platen assembly designed for linerless media.
2. Remove the Peeler Bar and install the Scraper included with the Platen Repair Kit in its place
3. (QL 420 only) Replace the Media Guide Rollers with linerless ones.
4. It is recommended you change the Media Support Disks to ones designed for linerless media. You may also have to re-set the Media Discs for different diameter media cores.

If you are changing the printer from linerless to lined media you will need to do the following:

5. Remove the Platen Assembly and replace it with a platen assembly designed for lined media.
6. Remove the Scraper and install the Peeler Bar included with the Platen Repair Kit in its place
7. Replace the Media Guide Rollers with lined ones.
8. It is recommended you change the Media Support Disks to ones designed for lined media. You may also have to re-set the Media Discs for different diameter media cores.



Note: The Media Support Disks should be replaced after they have been re-adjusted for different core sizes a total of five (5) times.

MEDIA GUIDE ROLLERS, QL420/QL 420 PLUS AN16753-003 & -004



You must use an ESD strap and work at a properly grounded workstation (antistatic mat or tray). All electronic components must be placed on an ESD protective tray. If stored, any electronic components must be placed in antistatic bags.

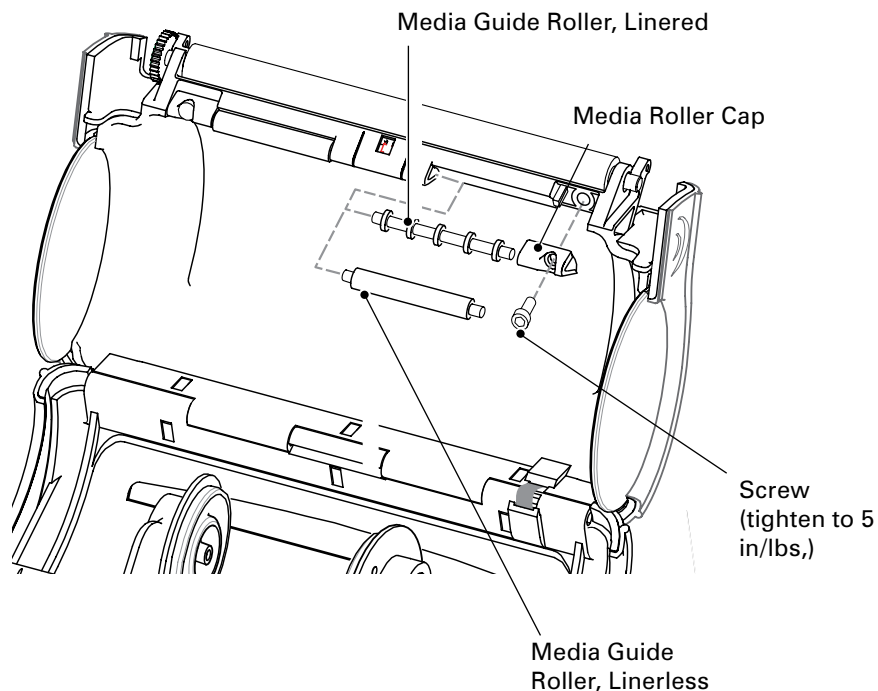
Tools Needed

3/32" hex driver

Replacing the Media Rollers

Both Media Rollers should be replaced as a set.

1. Turn off the Printer and open the Media Cover.
2. Remove the old Rollers. Remove a Media Roller Cap as shown below. Each one is held in place with a #4-40 x 1/4" Socket Head Screw.
3. Install the New Rollers. Insert a new Media Roller into one side of the Media Cover Assembly as shown. Secure the Media Roller with the new Media Roller Cap and (1) Screw.
4. Repeat the procedure for the other side of the Media Cover Assembly.



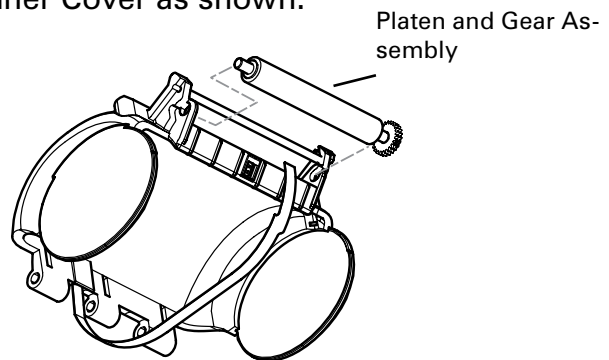
PLATEN/GEAR KITS, QL220/QL 220 PLUS AN16972-008 & -009

Removing the Gear and Platen

1. Open the Media Cover.
2. Pry out the gear-end of the Platen and remove the Platen.

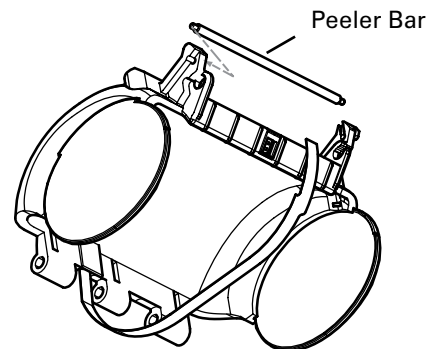
Installing the Gear and Platen

1. Align the flats on the Platen shaft with the hole in the Gear. The rib molded on the Gear must face outboard.
2. Install the Platen with Gear in the Inner Cover as shown.



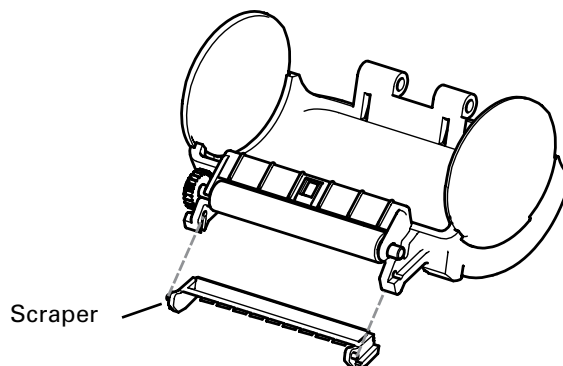
AN16792-008- Installing the Peeler Bar

Units using media with a liner (PCC digit 8 = A or C): Insert one end of the Peeler Bar into the Inner Cover. Pivot the other end of the bar down and snap it into the Inner Cover.



AN16792-009- Installing the Scraper

Units using linerless media (PCC digit 8 = B or D): Snap the Scraper into the Media Cover. The pins on the Scraper fit into the mounting holes for the Peeler Bar. The Scraper is used with linerless media only.



PLATEN/GEAR KITS, QL320/320 PLUS- AN16861-013 & AN16861-014



You must use an ESD strap and work at a properly grounded workstation (antistatic mat or tray). All electronic components must be placed on an ESD protective tray. If stored, any electronic components must be placed in antistatic bags.



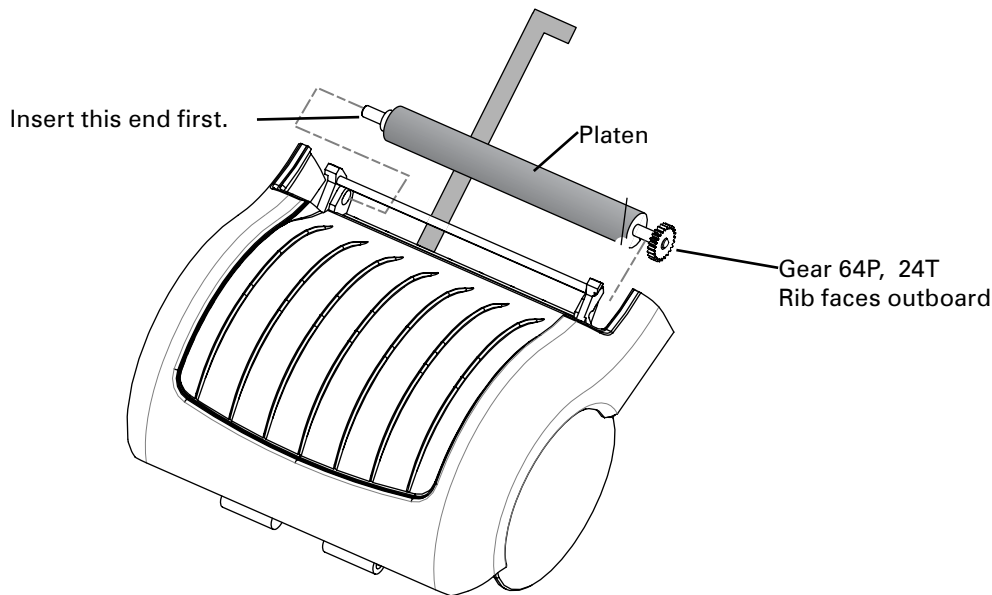
NOTE: AN16861-035 and -036 are used on QL 320 units built prior to 1/20/03. Platen replacement procedures are the same for both versions.

Removing the Gear and Platen

1. Open the Media Cover.
2. Pry out the gear-end of the Platen and remove the Platen.

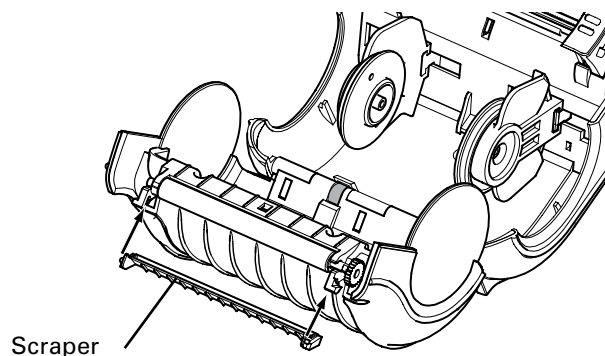
Installing the Gear and Platen

1. Align the flats on the Platen shaft with the hole in the Gear. The rib molded on the Gear must face outboard.
2. Install the Platen with Gear in the Inner Cover as shown.



Installing the Scraper

If the printer uses a scraper and it is not installed, snap the Scraper into the Media Cover. The pins on the Scraper fit into the mounting holes for the Peeler Bar. The Scraper is used with linerless media only.



PLATEN/GEAR KITS, QL420/420 PLUS- AN16753-021 & -022



You must use an ESD strap and work at a properly grounded workstation (antistatic mat or tray). All electronic components must be placed on an ESD protective tray. If stored, any electronic components must be placed in antistatic bags.

Introduction

The Platen Assembly and the Media Rollers of the Printer are parts subject to wear and damage in the same way as are automobile tires. The Platen Assembly and/or the Media Rollers should be replaced if they show damage such as cuts or nicks on their surfaces or excessive wear. Badly worn Platen Assemblies and Media Rollers can cause poor quality printing, improper tracking of the media and contribute to label jamming when trying to dispense labels.

There are two replacement kits for the Platen:

- AN16753-021: For Printers using media with a removable liner
- AN16753-022: For printers using linerless media.

This guide will detail how to install a replacement Platen Assembly.

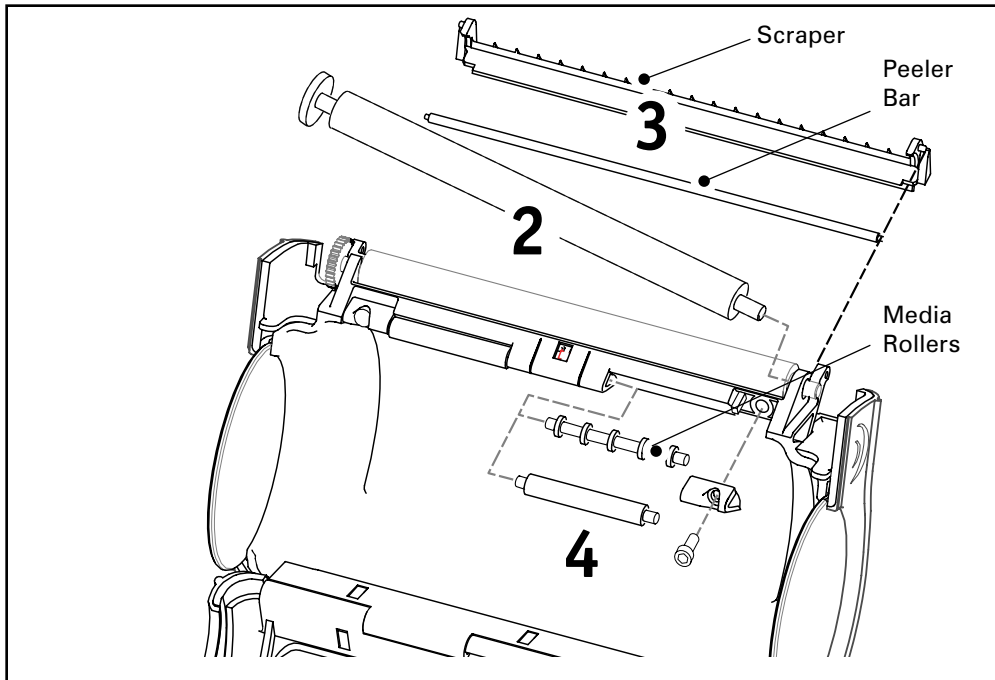
Refer to the User's Manual for guidelines on cleaning the printer to increase the working life of the Platen Assembly and the overall efficiency of the printer.

Preparation

1. Turn the printer off.
2. Open the printer as though loading media. (Refer to the User's Manual)

Replacing the Platen Assembly

continued



1. Remove the old Platen Assembly

Carefully lift up the end of the platen with the gear as shown at "2" in the illustration above until it snaps free from the media cover.

Slide the other end of the platen out of the Media Cover.

2. Install the New Platen Assembly

Units using lined media use the Platen Assembly included with Platen and Roller Kit p/n AN16753-021. Linerless units will take the Platen Assembly included with Platen and Roller Kit p/n AN16753-022.

Install the new Platen Assembly in the reverse order you removed it. Insert the shaft end of the platen into the media cover, then rotate the end with the gear until it snaps into place. Ensure that the new Platen Assembly spins freely.

3. Install the new Peeler Bar or Scraper

Remove the old Peeler Bar or Scraper and replace with a new Peeler Bar (supplied with Kit AN16753-021) or Scraper (supplied with Kit AN16753-022). Refer to "3" above. These components can be changed without removing the Platen Assembly. Note that the Peeler Bar must be installed on units using lined media and the Scraper must be installed on units using linerless media.

4. Change media rollers

If you have changed the platen type (e.g. from lined to linerless) you must also replace the Media Rollers (shown at "4") with a compatible type. Refer to the QL 420 Media Roller replacement procedure (AN16753-003 & -004) for more complete details.

UPPER HOUSING / WIRELESS MODULES-QL220 & QL 220 PLUS



You must use an ESD strap and work at a properly grounded workstation (antistatic mat or tray). All electronic components must be placed on an ESD protective tray. If stored, any electronic components must be placed in antistatic bags.

The following pages detail the procedure to install the Cover used for non-wireless units and the following Wireless wireless modules:

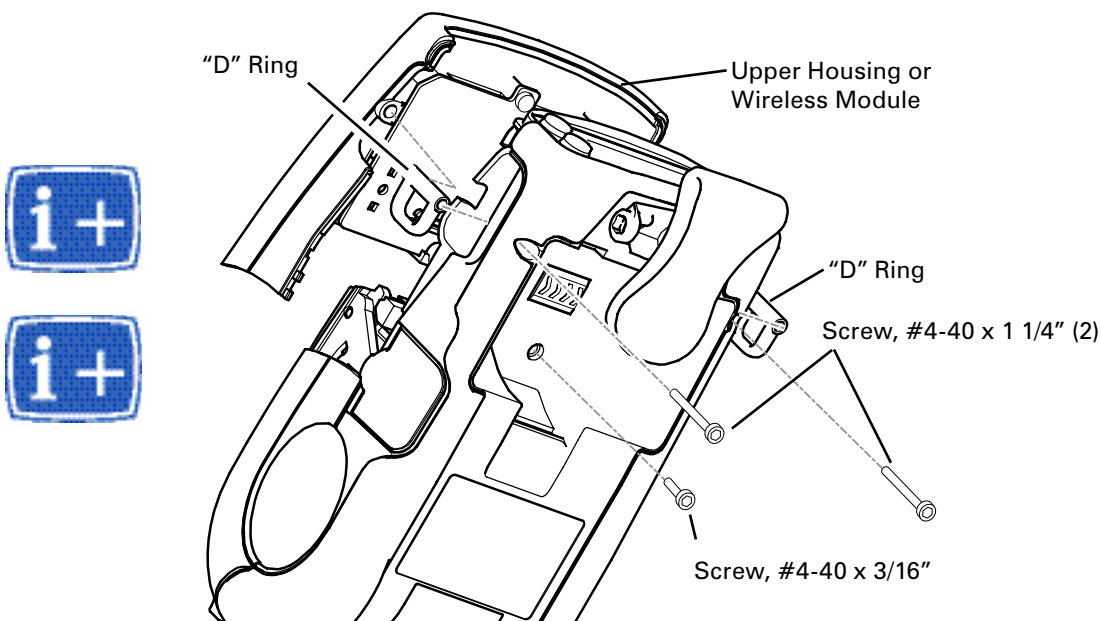
Module Type	QL 220	QL 220+
Module Housing (no wireless)	AN16972-019	RK17735-027
IrDA Module	n/a	RK17735-025
Bluetooth 1.2 (B/C)	RK18237-1	RK17735-021
Bluetooth 2.0 (D)		RK18879-001
Compact Flash 802.11b (EU country's) "N" option	RK18239-1	RK17735-022
Compact Flash 802.11b (North America) "M" option	RK18238-1	RK17735-023
802.11b SRRF "F" Option	n/a	RK17735-024
802.11g SRRF "K" Option	n/a	RK17735-026

Tools Needed

3/32" Hex Driver

Removing the Upper Housing

1. Turn the printer off and remove the Battery.
2. Remove the Upper Housing or Wireless Module by removing (3) screws on the bottom cover. Retain all hardware and either the "D" rings or the Carrying Strap supplied with the printer.



continued

Installing the Upper Housing

1. Position the Upper Housing onto the Lower Housing. If installing a Wireless Module (Kits AN 16972-016, -017, or 018) line up the Wireless Module connector with the connector on the MLB.
2. Position the D-Rings between the Upper Housing and Lower Housing as shown and install the (2) 4-40 x 1-1/4 Socket Head Screws.
4. Install the 4-40 x 3/16 Phillipps Screw from the Battery Compartment.3.
Install the Battery Pack.

Set New Parameters

If you are replacing a WLAN module, you can now use the Network setup wizards in Label Vista 2.8 or higher. They are found under the Network Setup menu. Again you are urged to refer to the on-line help before you use these wizards, to determine what information you will need to set these parameters.

If you have any questions about network settings you should contact the system administrator for the LAN where the QL series printer will be operating.

Installation of the Bluetooth module allows the advanced user to set many of the Bluetooth parameters through the use of the "get, set, do" commands outlined in Section 14 of the Programming Manual (revision "L" or higher). These commands are accessible only with printer applications of revision 40 or higher.

UPPER HOUSING, QL320- RK18233-1



You must use an ESD strap and work at a properly grounded workstation (antistatic mat or tray). All electronic components must be placed on an ESD protective tray. If stored, any electronic components must be placed in antistatic bags.

Tools Needed

- #1 Phillips head screwdriver
- 3/32" Hex Driver

Removing the Upper Housing

1. Turn the printer off and remove the Battery.
2. Remove the QuickLink Module.
3. Remove the Upper Housing. Remove the Upper Cover by removing (4) screws on the bottom cover. Retain all hardware and either the "D" rings or the Carrying Strap supplied with the printer.

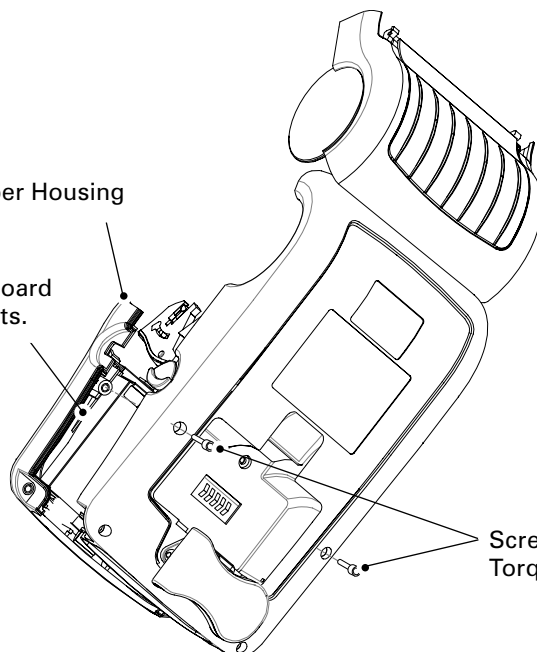
Installing the Upper Housing

1. Assemble the Upper Housing to the Printer, and secure it with the retained hardware. At this time either the "D" rings, or the Carrying strap which was supplied with the printer should be reassembled. Note that the longer screws are used in the corners of the Upper cover where the "D" rings or the carrying strap was installed.
2. Install the QuickLink module. Plug the either the QuickLink module or the module housing supplied with the printer into the Top Housing, and secure with (1) screw through the battery compartment.
3. Install the Battery Pack.
4. Perform a two-key reset to verify that the unit has been correctly reassembled.



Upper Housing

Note that edges of Board Cover fit in these slots.



Screw, Socket Hd. #4-40 x 3/8"
Torque = 5 in-lbs

UPPER HOUSING, QL420/420 PLUS- AN16753-007



You must use an ESD strap and work at a properly grounded workstation (antistatic mat or tray). All electronic components must be placed on an ESD protective tray. If stored, any electronic components must be placed in antistatic bags.

Tools Needed

- #1 Phillips head screwdriver
- 3/32" Hex Driver

Removing the Upper Housing

1. Turn the printer off and remove the Battery.
2. Remove the QuickLink Module.
3. Remove the Upper Housing. Remove the Upper Cover by removing (4) screws on the bottom cover. Retain all hardware and either the "D" rings or the Carrying Strap supplied with the printer.

Assemble the P.C. Board Cover

Fold the P.C. Board Cover

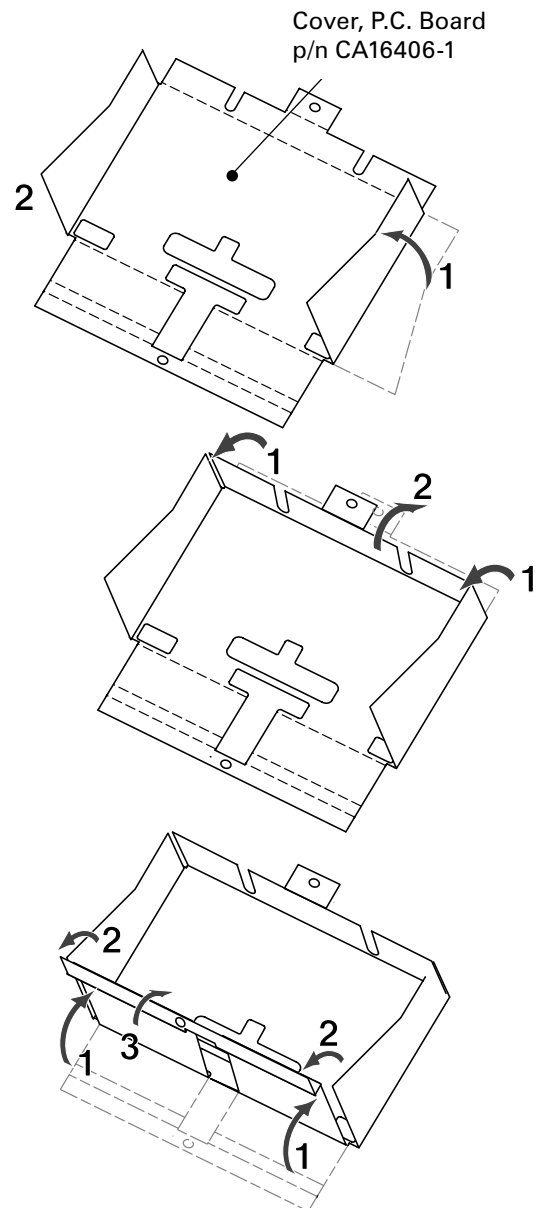
Fold **P.C. Board Cover** as shown in the sequence opposite:

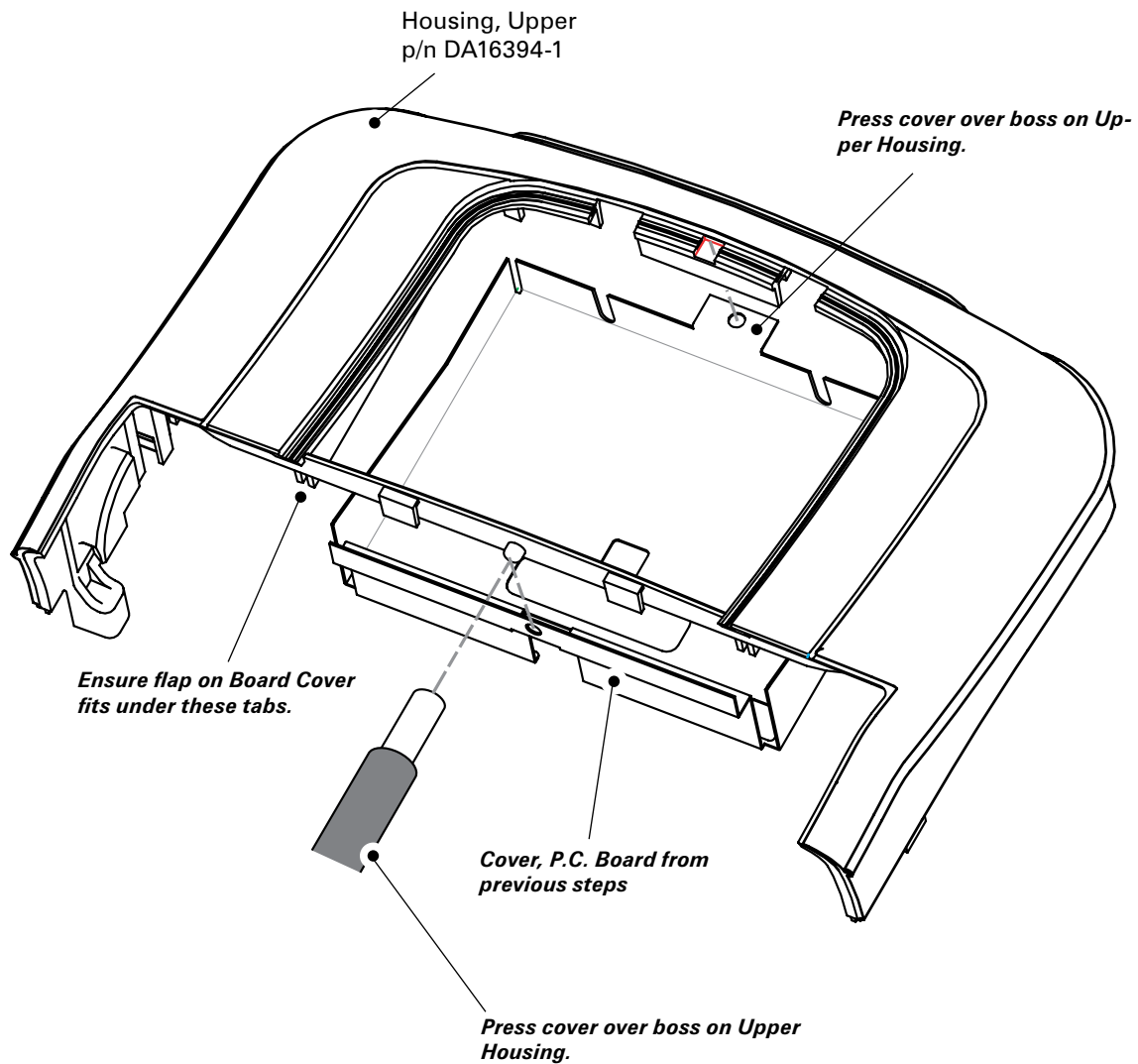
- Place the Board cover flat on a table as shown. Fold the two sides up as shown at "1" and "2".
- Fold the front up to meet the sides

at "1" and fold the mounting tab down parallel to the table as shown at "2"

- Fold the back up as at "1", fold the

remainder back parallel to the table at "2" and fold the last section vertically as at "3".



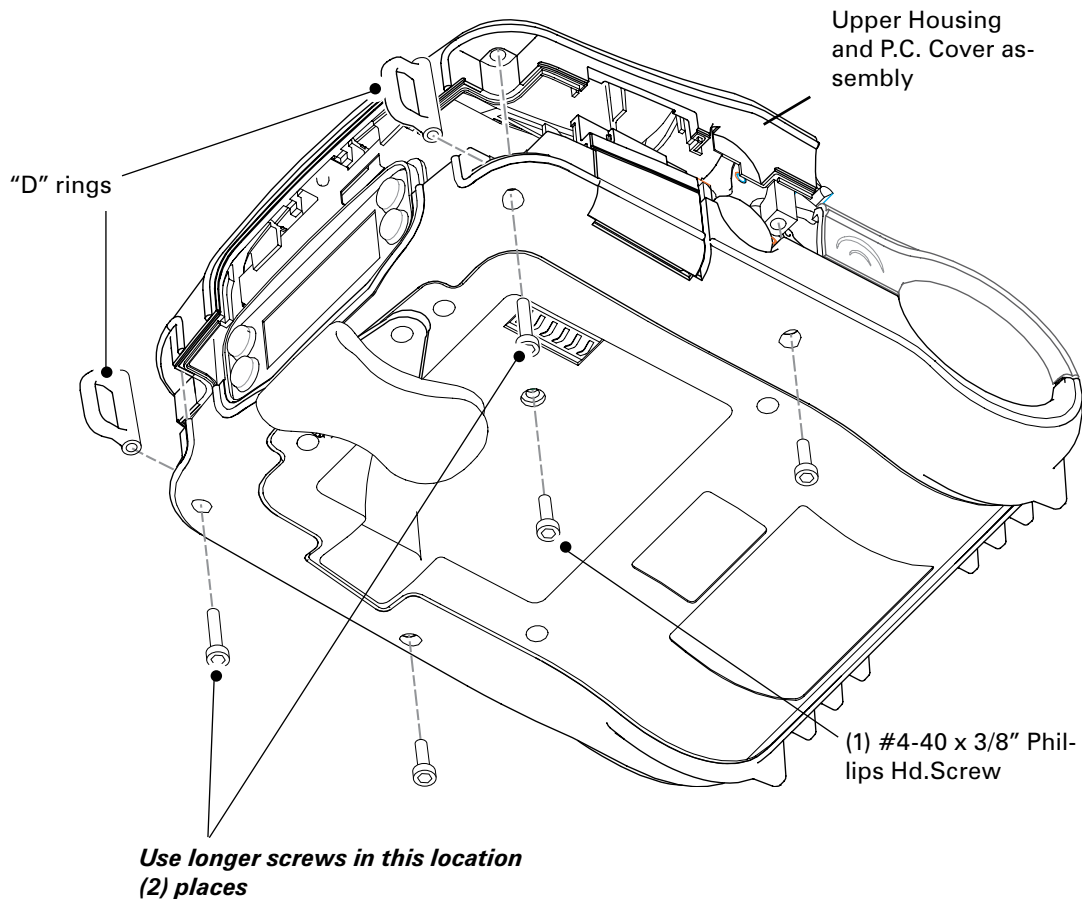


Assemble P.C. Board Cover

Assemble the Board Cover to the **Upper Housing**. The two holes in the Board Cover press over the bosses on the Upper Housing. The two sides of the Board Cover will fit into slots on the inside surface of the Upper Housing.

Install the Upper Housing

1. Assemble the Upper Housing assembly from the previous steps to the Printer, and secure it with the retained hardware. At this time either the "D" rings, or the Carrying strap which was supplied with the printer should be reassembled. Note that the longer screws are used in the corners of the Upper cover where the "D" rings or the carrying strap was installed.
2. Install the QuickLink module. Plug the either the QuickLink module or the module housing supplied with the printer into the Top Housing, and secure with (1) screw through the battery compartment.
3. Install the Battery Pack.
4. Perform a two-key reset to verify that the unit has been correctly reassembled.



LABEL PRESENCE SENSOR, QL320- AN16861-015



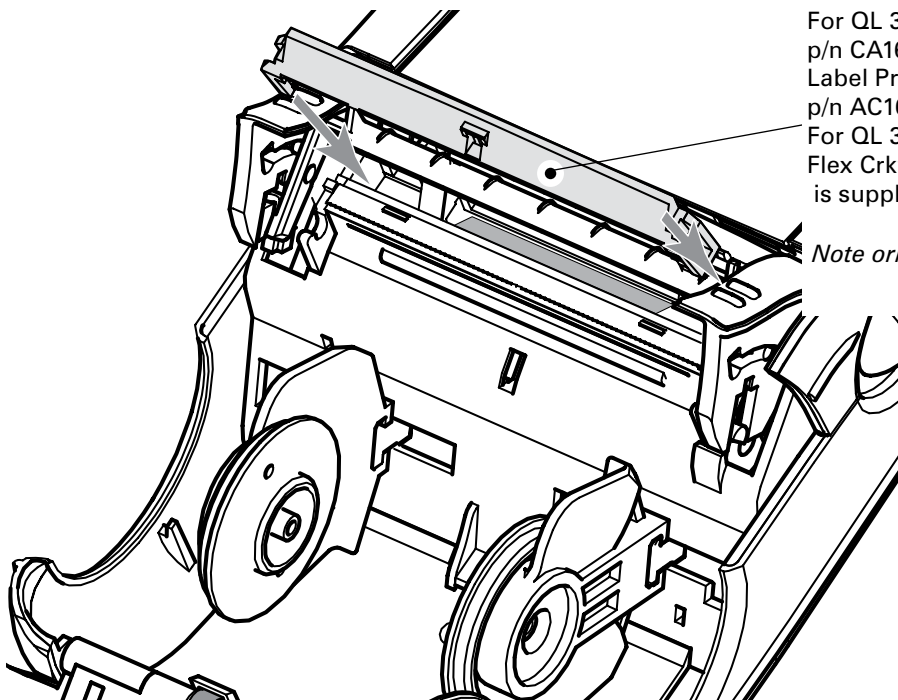
You must use an ESD strap and work at a properly grounded workstation (antistatic mat or tray). All electronic components must be placed on an ESD protective tray. If stored, any electronic components must be placed in antistatic bags.

Tools Needed

- #1 Phillips head screwdriver
- 3/32" Hex Driver

Remove the Upper Housing

1. Turn the printer off and remove the Battery.
2. Remove the QuickLink Module
3. Remove the Upper Housing, per AN16861-010
4. Open the Media Cover .



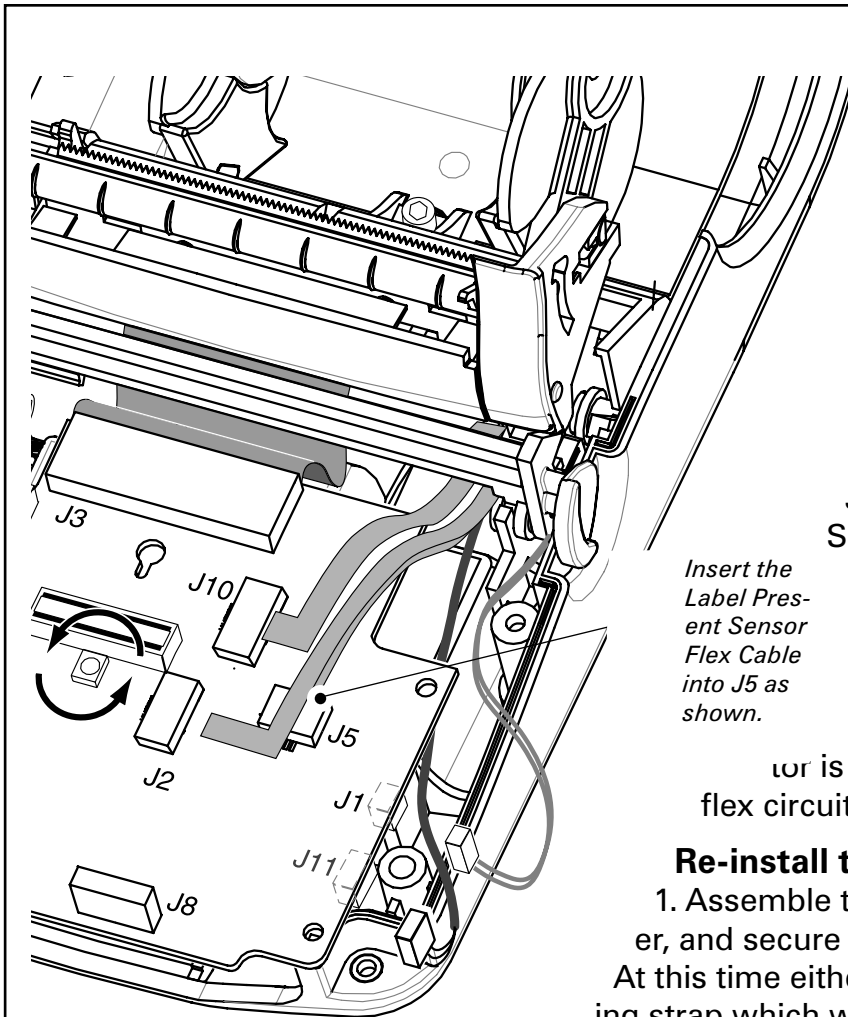
For QL 320:Support, Sensor
p/n CA16009-1 or
Label Presence Sensor Assy.
p/n AC16500-1M
For QL 320 Plus-: p/n CL16965-3, Cbl
Flex Crkt Shld Ql4 Lbl Sen,
is supplied with RK18465-003

Note orientation of sensor window



Assemble the Sensor Support

Snap the Sensor Support, or the Sensor Assembly into place on the Printer Frame as shown. Note orientation of sensor window. If you are installing a Label Presence Sensor Assembly, proceed to the next step.



Install Label Present Sensor Option

Dress the long end of the optional Label Present Sensor Cable through the Printer Frame so that it emerges as shown near J5 of the MLB.

Plug the Sensor Cable into J5 of the MLB as shown. The Sensor Cable flex circuits installs in a zero insertion force (ZIF) connector.

Pull the connector open to insert the flex circuit. After insertion insure the connector is closed to properly retain the flex circuit.

Re-install the Upper Housing

1. Assemble the Upper Housing to the Printer, and secure it with the retained hardware. At this time either the "D" rings, or the Carrying strap which was supplied with the printer should be reassembled. Note that the longer

screws are used in the corners of the Upper cover where the "D" rings or the carrying strap was installed.

2. Re-install the QuickLink module. Plug the either the QuickLink module or the module housing supplied with the printer into the Top Housing, and secure with (1) screw through the battery compartment.
3. Install the Battery Pack.
4. Test the printer with the unit test software to properly calibrate the sensor and verify its proper operation.

PCMCIA WLAN RADIO, QL320 & QL420- AN16652-1 ANTENNA ASSEMBLY, QL 320 & QL 420- AN16861-011



You must use an ESD strap and work at a properly grounded workstation (antistatic mat or tray). All electronic components must be placed on an ESD protective tray. If stored, any electronic components must be placed in antistatic bags.

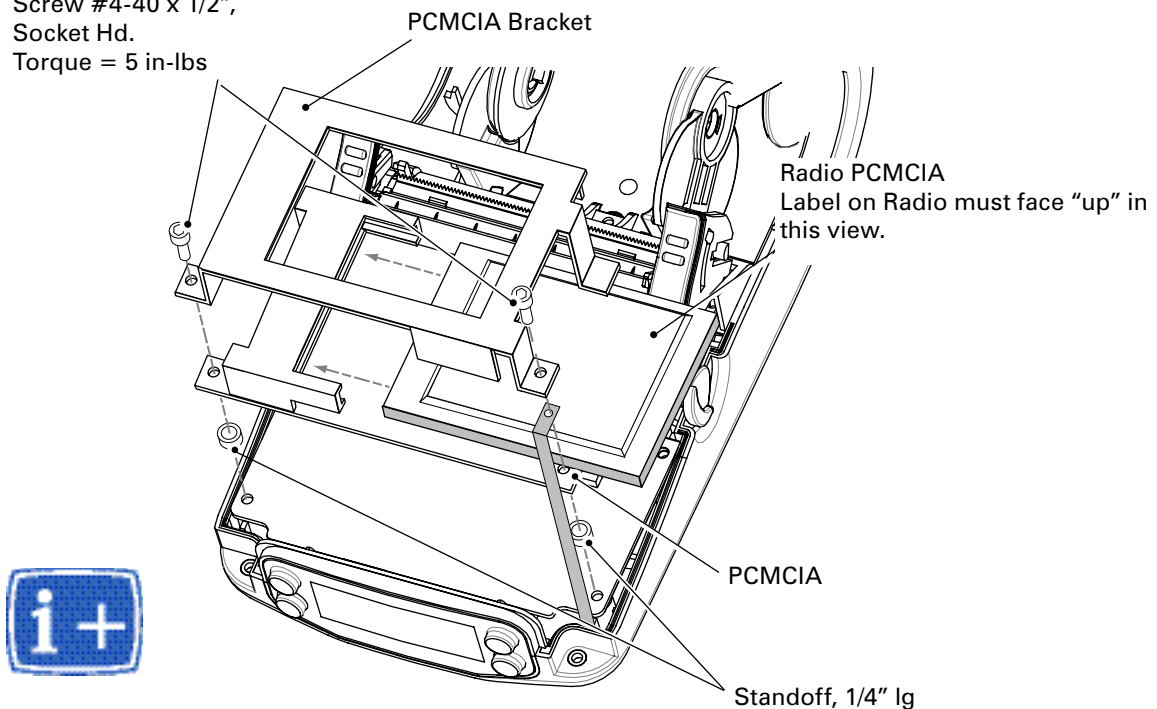
Installing a WLAN Radio and Antenna

Install the Radio

1. Install the PCMCIA Radio. Plug the PCMCIA Radio into the P.C. Board assembly. The PCMCIA Radio can only be plugged in one way; the label must face up.
2. Install the PCMCIA Board Assembly

Remove the (2) Screws and the Nylon Washer holding the MLB in place. Plug the PCMCIA Assembly from the first step into the C.P.U. Board. Place (2) Standoffs between the C.P.U. Board and the PCMCIA Board Assembly. Install the Bracket PCMCIA over the PCMCIA assembly. Place the Grounding Strap under the bracket and secure with (1) Screw. Secure the other side of the Bracket with the remaining Screw. These screws will also re-secure the C.P.U. Board.

Screw #4-40 x 1/2",
Socket Hd.
Torque = 5 in-lbs

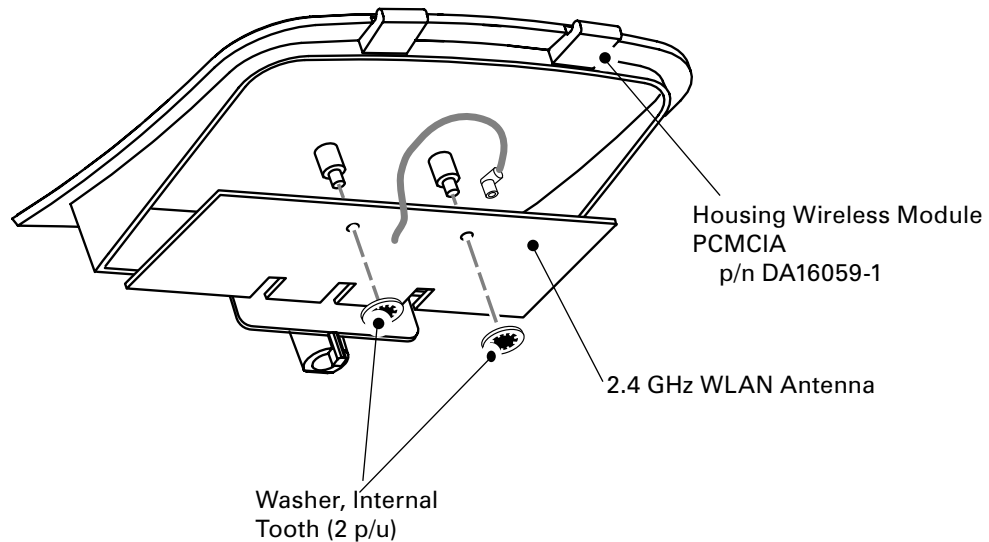


continued

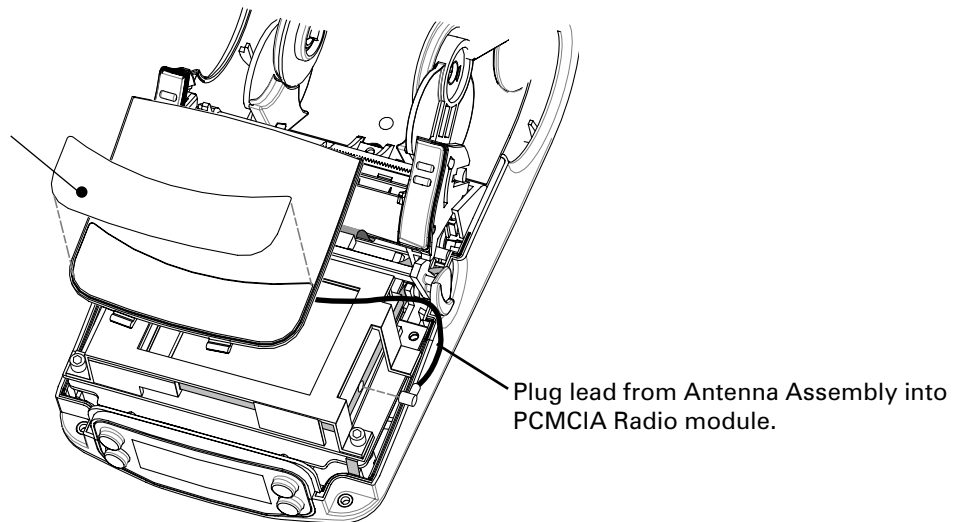
Assemble the Antenna

Note: the Antenna Assembly is included as part of AN16652-1, as well as AN16861-011.

3. Install the 2.4 GHz Antenna in the Housing Wireless Module PCMCIA as shown, and secure with (2) Internal Tooth Washers.
4. Plug the lead from the antenna assembly into the PCMCIA radio.



Attach label supplied with repair kit to Antenna Housing



Finish the Assembly

5. Install the Upper Housing per AN 16861-010.
6. Secure the Antenna Assembly in the printer as though it were a wireless module (refer to procedure for AN 16861-007.)

QL 320/320 PLUS & QL 420/420 PLUS WIRELESS MODULES



You must use an ESD strap and work at a properly grounded workstation (antistatic mat or tray). All electronic components must be placed on an ESD protective tray. If stored, any electronic components must be placed in antistatic bags.

Introduction

The following pages detail the procedure to install the Cover used for non-wireless units and the following Wireless wireless modules:

Module Type	QL 320	QL 320+	QL 420	QL 420+
Module Housing(no wireless)	n/a	RK18465-004	AN16753-008	RK17735-019
IrDA Module	AN16861-009	RK17735-018	AN16861-009	RK17735-018
Bluetooth 1.2 (B/C)	RK18229-1	RK17735-005	RK18229-1	RK17735-005
Bluetooth 2.0 (D)		RK18879-002		RK18879-002
916 MHz SRRF	AN16861-007	n/a	n/a	n/a
2.4 GHz SRRF	AN16861-008	n/a	n/a	n/a
Compact Flash 802.11b (EU countries) "N" opt.	RK18230-1	RK17735-006	RK18230-1	RK17735-006
Compact Flash 802.11b (North America) "M" opt.	AK18182-1	RK17735-007	AK18182-1	RK17735-007
802.11b SRRF (WiFi) "F" opt.	n/a	RK17735-008	n/a	RK17735-008
802.11g SRRF "K" opt.	n/a	RK18465-005	n/a	RK17735-020

Tools needed:

- Phillips head screwdriver



Procedure Outline

The procedure consists of these basic steps:

- Mechanical installation of the Wireless module.
- Setting new parameters for the module. Certain modules are self-configuring, but most will need you to enter some information into the printer's memory. You must be certified to use Zebra's proprietary software to perform this update.



If you send your printer back to the Factory Repair Services, your printer will be updated as necessary to conform with the as-shipped configuration. Any changes you have made to the printer may be removed.

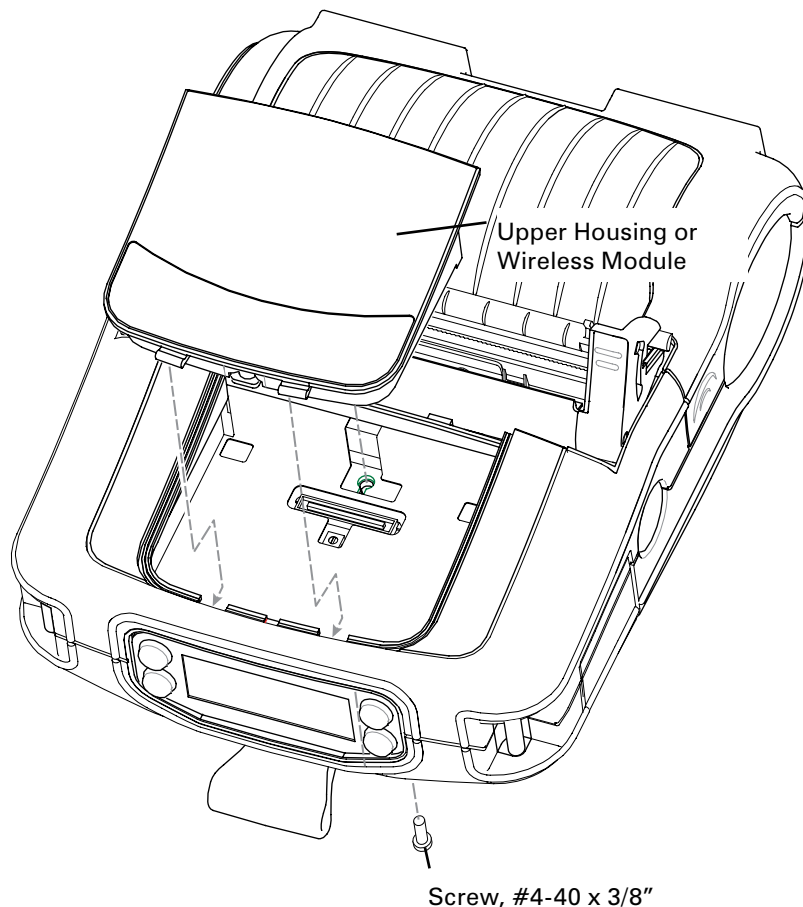
Removing the Wireless Module

1. Turn the Printer off.
2. Remove the Battery Pack.
3. Remove and retain the screw from inside the battery compartment.
4. Remove the Wireless module, or if upgrading the printer from a cable ready unit, remove the cover. Lift up the module from the bottom of the unit and pull it out. Opening the latch to the printer's media supply will make it easier to remove the module.

Installing the Wireless Module

continued

1. Remove the module from its static proof packaging. (Retain the packaging for storing the old module.) Insert the module into the printer by aligning the tabs on the module with the slots in the printer's top cover. Rock the module down into the printer until it is seated.
2. Secure the module with the screw retained from removing the old module.



3. Install the Battery Pack.

Set New Parameters

If you are installing a 802.11 (WLAN) module, you can now use the Network setup wizards in Label Vista (version 2.8 or higher) found under the Network Setup menu. Again you are urged to refer to the on-line help before you use these wizards, to determine what information you will need to set these parameters.

Refer to the "Using Label Vista" topic in Section 1 for more information.

If you have any questions about network settings you should contact the system administrator for the LAN where the QL series printer will be operating.

Installation of the Bluetooth module allows the advanced user to set many of the Bluetooth parameters through the use of the "get, set, do" commands outlined in Section 14 of the Programming Manual (revision "L" or higher). These commands are accessible only with printer applications of revision 40 or higher.

KEYPAD & DISPLAY, QL220/220 PLUS/220 COST REDUCED- AN16972-011, -012 & RK17735-031



You must use an ESD strap and work at a properly grounded workstation (antistatic mat or tray). All electronic components must be placed on an ESD protective tray. If stored, any electronic components must be placed in antistatic bags.

Preparation

1. Turn the printer off and remove the battery pack
2. Remove the Upper and Lower Housings.

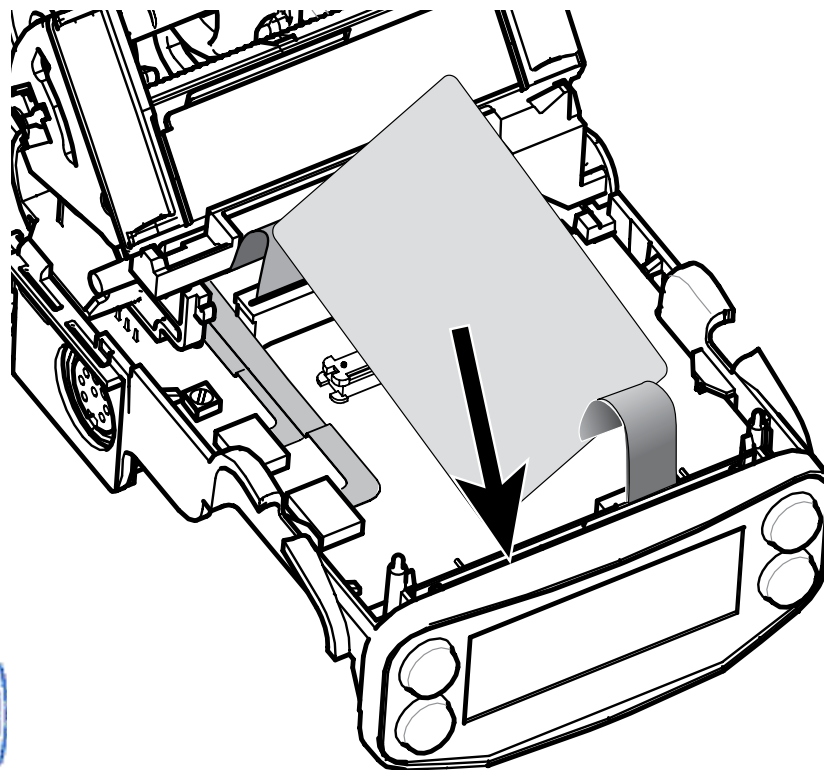
Removing the Keypad

1. Unlock J6 on the MLB, and unplug the cable.
2. Unlock J1 on the MLB and unplug the ground cable.
3. Carefully peel the Keypad away from the QL 220 Chassis.

Removing the LCD module

1. Unlock J8 on the MLB and unplug the flex cable.
2. Insert the corner of a credit card or a similar thin, flexible and non-conductive material between the glass surface of the LCD and the printer chassis.
3. Using a small flat bladed screwdriver, lift each side of the LCD module clear of the printer Chassis.

Installing the Keypad





Note: Clean any old adhesive from the printer using Isopropyl alcohol and let dry before installing the Keypad.

If installing an LCD Keypad, use particular care not to scratch the clear window on the printer chassis.

1. Dress the flex cables on the bottom of the Keypad through the two slots on the bottom of the chassis.
2. Peel the adhesive backing off the Keypad (Membrane or LCD) and adhere the Keypad to the Printer Chassis.

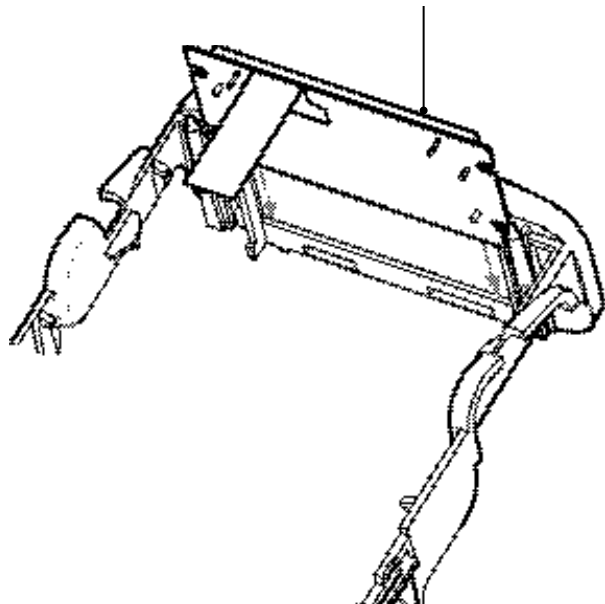
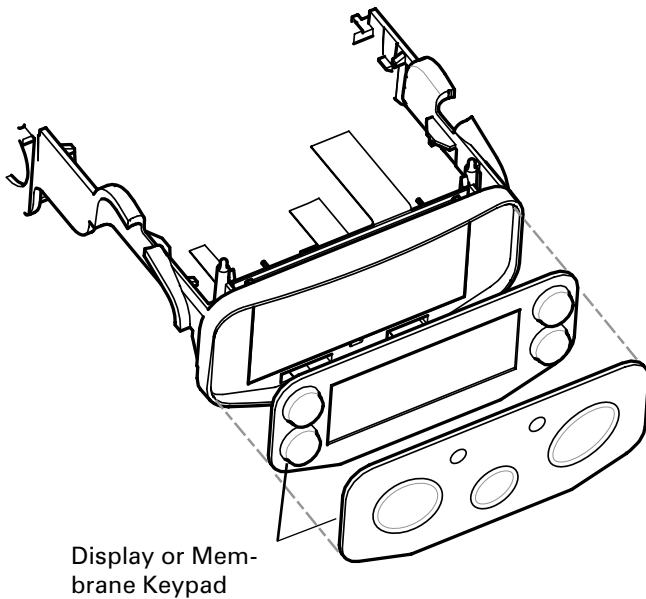
Installing the LCD module

1. Remove the Backer from the LCD display and then slide the LCD Display into the QL 220 Chassis. Note the orientation of the flex circuit.
2. Plug the LCD cable into J8 on the MLB.

Finish the installation of either the Keypad and/or the LCD module

1. Install the Upper and Lower Housings.
2. Install the Battery Pack.
3. Test the Printer.

LCD Display:
Remove protective
film from display
prior to assembly



MEMBRANE & LCD KEYPAD, QL320/320PLUS/320COST REDUCED & QL420/420PLUS/420COST REDUCED AN16861-021, RK18235-1 & RK17735-032



You must use an ESD strap and work at a properly grounded workstation (antistatic mat or tray). All electronic components must be placed on an ESD protective tray. If stored, any electronic components must be placed in antistatic bags.

Introduction

You will need to replace the Keypad if it has been physically damaged or no longer functions properly. This procedure covers installation of both the standard membrane Keypad and the optional LCD Keypad. Remember that changing the type of keypad from what was originally installed on your printer will also change the printer's configuration.

Tools needed

- #1 Phillips Head Screwdriver.
- 3/32" hex driver



Preparation

1. Turn the printer off and remove the battery pack.
2. Remove the QuickLink Module.
3. Remove the Upper Housing.

Removing the Keypad

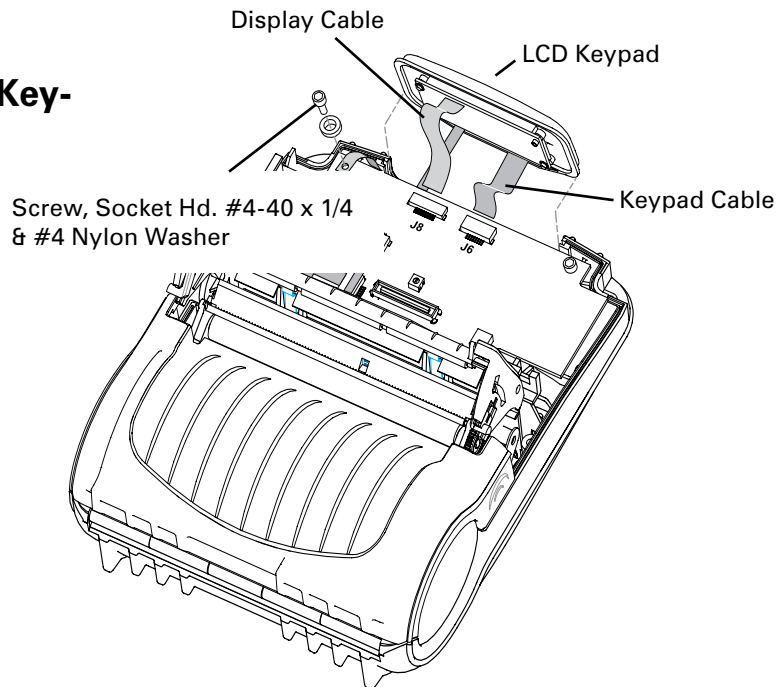
1. Unlock J6 on the MLB, and unplug the flex circuit.
2. Unlock J8 on the MLB, and unplug the flex circuit (LCD Keypads only)
3. Remove the screw and nylon Washer securing the Keypad ground strap to the MLB. Retain this hardware.
4. If you are replacing a Membrane Keypad:
 - a. Unlock J6 on the MLB, and unplug the flex circuit.
 - b. Remove the screw and Washer securing the Keypad ground strap to the MLB.
 - c. Slide the Keypad Assembly out of the Lower Housing as shown.

Installing an LCD Keypad

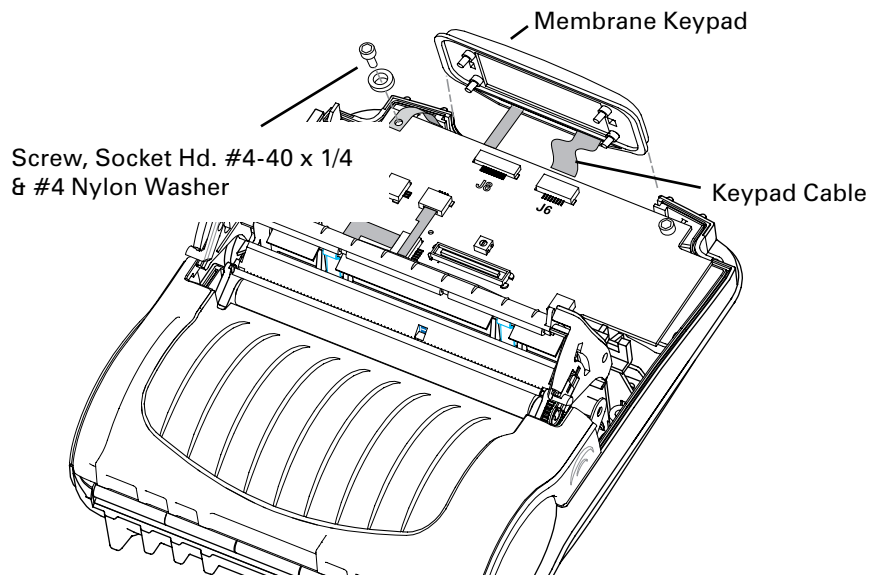
1. Plug the flex circuit from the Keypad into J6 and lock the connector.
2. Plug the Flex cable from the Display into J8 and lock the connector.
3. Fold the static ground strap from the Keypad so that exposed copper on the end of the ground strap will make contact with the pad on the MLB. Secure the Ground Strap to the MLB with a 4-40 x 1/4" Socket Head Screw and #4 Nylon Washer.
4. Slide the LCD Keypad into the Lower Housing, dressing the Keypad flex circuit (which plugs into J6) and the ground strap down and under the MLB. Gently fold loop of display Flex Circuit (which plugs into J8) over the top of Display. Allow to relax back into place.
5. Slide the Keypad Assembly into the Lower Housing as shown, dressing the flex circuits down and under the MLB.

6. Install the Upper Housing.
7. Install the QuickLink Module.
8. Install the Battery Pack
9. Test the Printer.

Installing a Membrane Keypad



1. Plug the flex circuit from the Keypad into J6. Lock the connector.
2. Fold the static ground strap from the Keypad so that exposed copper on the end of the ground strap will make contact with the pad on the MLB. Secure the Ground Strap to the MLB with the #4-40 x 1/4 Socket Hd. Screw and #4 Nylon Washer.
3. Slide the Keypad Assembly into the Lower Housing as shown, dressing the flex circuit and ground strap down and under the MLB.
4. Install the Upper Housing
5. Install the Wireless Module.
6. Install the Battery Pack
7. Test the Printer.



PRINTER FRAME, QL220/220PLUS- AN16972-001

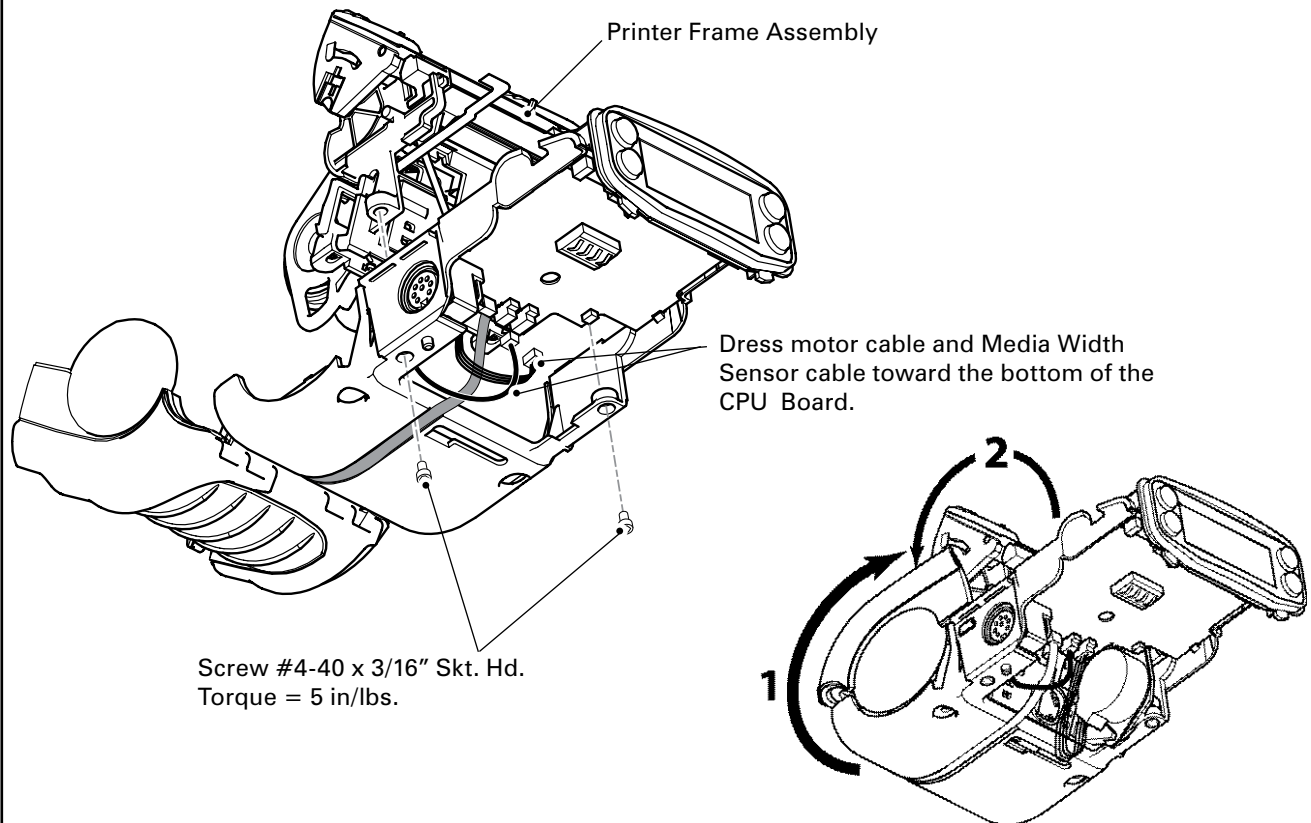


You must use an ESD strap and work at a properly grounded workstation (antistatic mat or tray). All electronic components must be placed on an ESD protective tray. If stored, any electronic components must be placed in antistatic bags.

Installing the Printer Frame



1. Install the Media Cover on the Printer Frame.
2. Install the Keypad and Display in the Printer Frame.
3. Install the MLB in the Printer Frame.
4. Install the Printer Assembly in the Printer Frame and secure with 2 screws from underneath the Printer Frame.
5. Plug all cables into the MLB.
6. Insert the Printer Frame in the Lower Housing.
7. Secure the Printer Frame with (2) #4-40 x 3/16" Skt. Hd Screws from underneath the Lower Housing.
8. Press the Connector Cover onto the tab.
9. Insert the Printer Frame in the Lower Housing, Media Cover end first, and then snap the Printer Frame in place.
10. Install the Insulator over the PC Board.
11. Install the Upper Housing.
12. Close the media cover and latch in place.



PRINTER FRAME, QL 320/320 PLUS- AN16861-029 & QL 420/420 PLUS- AN16753-012



You must use an ESD strap and work at a properly grounded workstation (antistatic mat or tray). All electronic components must be placed on an ESD protective tray. If stored, any electronic components must be placed in antistatic bags.

Tools needed

#1 Phillips Head Screwdriver.

$\frac{3}{32}$ " Hex Driver



Removing the Printer Frame

1. Turn the printer off and remove the battery pack.
2. Remove the QuickLink Module.
3. Remove the Upper Housing.
4. Remove the MLB.
5. Remove the 4 Screws that secure the Printer Frame to the Lower Housing and remove the Printer Frame.
9. Remove the optional Media Width Sensor. If the Printer is equipped with the Media Width Sensor option, pull the sensor cable free of the Printer Frame.
6. If necessary, remove and retain the following from the Printer Frame:
 - a. Media Cover.
 - b. Latch Assembly.
 - c. Media Assembly.
 - d. Printhead Assembly.
 - e. Motor.

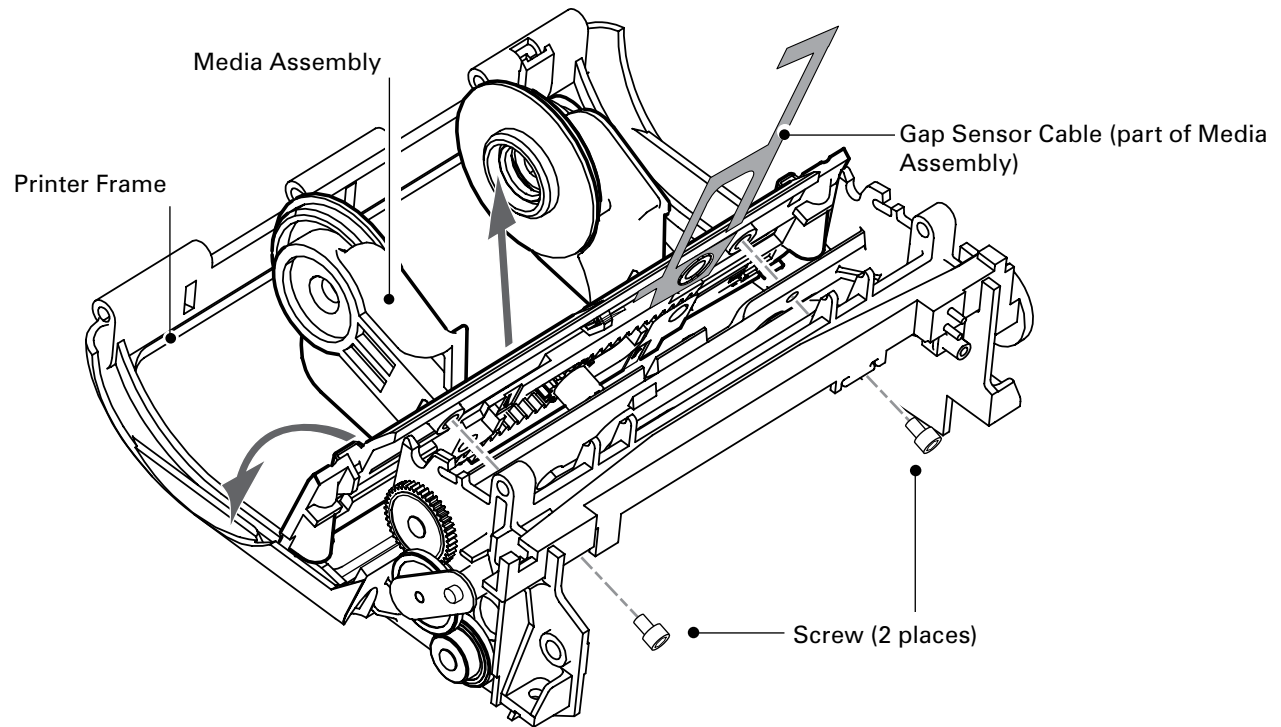
Install the new Printer Frame Assembly

1. Assemble the Media Assembly onto the new Printer Frame:

Refer to AN16753-001 for more details on installing the QL 420 Media Assembly.

 - Ensure the Gap Sensor Cable is in place.
 - Place the Media Assembly into the Printer Frame and rock it back into position.
 - Secure in place with (2) Screws.
 - If equipped with the optional Media Width Sensor, dress the Sensor cable through the retaining feature on the right hand side of the Printer Frame.
2. Assemble the Media Cover Assembly.
 - Follow the procedure for reinstalling the Media Cover Assembly per AN16861-024 for QL 320 and AN16753-025 for QL 420.
 - Ensure the Hinge Pin passes behind the Sensor cable.
 - Press the Sensor cable firmly into its channel in the bottom of the Printer

continued



Frame.

3. Install the Printhead Assembly

- Follow the procedure for installing the Printhead Assembly in AN16861-027 for QL 320 or AN16753-006 for QL 420.
- Secure the ground strap from the Bar Sensor Cable to the Printhead Assembly with the screw retained from when it was removed.
- Install the Printhead Springs

4. Install the Latch Assembly

- Follow the procedure for installing the Latch Assembly as detailed in AN 16861-025 for QL 320 or AN 16753-011 for QL 420.
- Ensure the Latch Spring is properly held in place on the Printer Frame.
- Verify proper operation of the Latch Assembly.

5. Install the Printer Frame and Media Cover assembly into the Lower Cover.

- Ensure that the Motor Cable and Bar Sense Cable and (optional) Media Width Sensor Cable will not be pinched between the Printer Frame and the Lower

Cover.

6. Re-attach the MLB and display.

From	# of connections	CPU Connector #
Printhead	Flex circuit (28 conductor)	J3
Motor Cable	4	J4
Media Width Sensor (optional)	3	J11 (bottom of board)
Bar Sensor Cable	Flex circuit (3 conductor)	J2
Gap Sensor/ Printhead Ground	Flex circuit (5 conductor)	J10
Label Presence Sensor	Flex Circuit (4 conductor)	J5

- Plug the cables from the printer back into the MLB per the following table:

7. Reassemble the Upper Cover and Module Housing

- Re-install the Upper Housing per AN16861-010 (QL320) or AN16753-007 (QL 420).
- When re-installing the Upper Housing for the QL 420, ensure that the proper Corner Attachment Kit (ref. AN16753-010) is also re-installed.
- Install the Module Housing as shown below. Ensure the Module is secured with the retained screw through the battery compartment.

8. Install the Battery and test the unit.

- Install the Battery and turn the unit on.
- Verify that all indicator lights turn on properly.
- Verify proper operation of the printer by performing a two-key reset.
- It is recommended you perform a complete unit test to verify proper operation of all the printer features.

CONNECTOR DOOR, QL 220 /QL220 PLUS - AN16972-021



You must use an ESD strap and work at a properly grounded workstation (antistatic mat or tray). All electronic components must be placed on an ESD protective tray. If stored, any electronic components must be placed in antistatic bags.

Tools needed

$\frac{3}{32}$ " Hex Driver

Remove the Lower Cover

1. Turn the printer off and remove the battery pack.
2. Remove the Lower Housing
 - Remove the Upper Housing by removing (3) Screws and pulling the upper housing clear.
 - Remove the two screws from the Printer Frame.
 - Pivot the Lower Cover away from the printer chassis until the Connector Door is free.

Remove the Connector Door

Pull the Connector Door away from the Printer Frame.

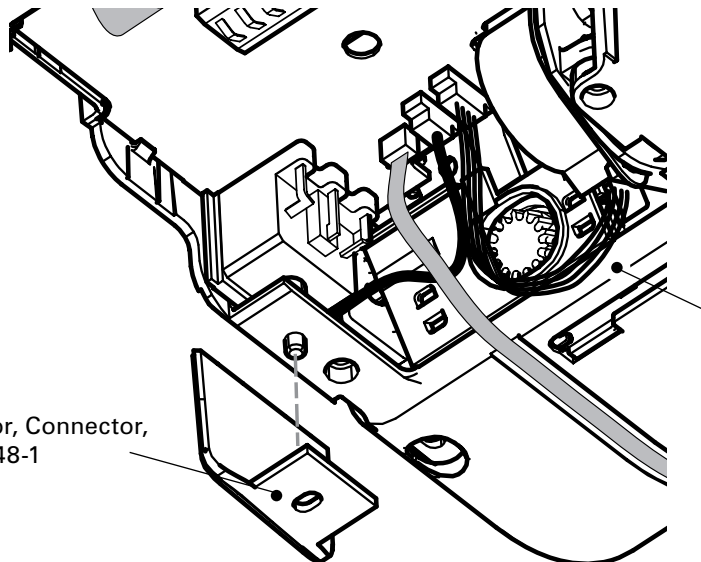
Attach the new Connector Door

Press the **Door, Connector, Rubber** over the retaining feature on the bottom of the Printer Chassis Assembly as shown.

Re-assemble the Lower Housing to the Printer Frame.



QL220 Door, Connector,
p/n CA16548-1



Printer shown with
Lower Housing
removed

CONNECTOR DOOR, QL420 & QL420 PLUS- AN16753-020



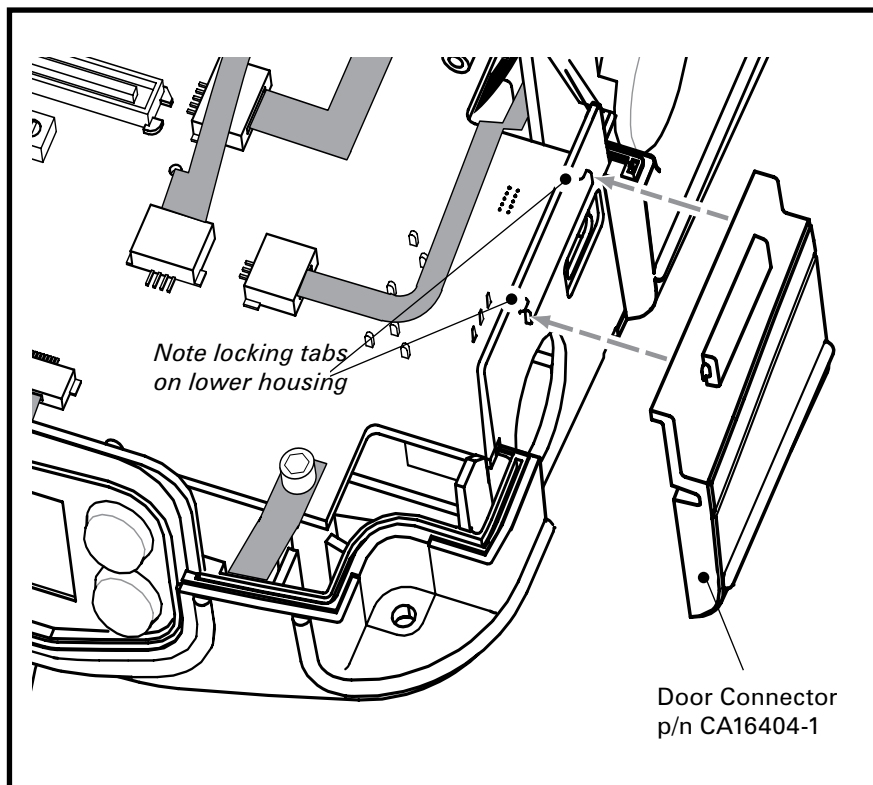
You must use an ESD strap and work at a properly grounded workstation (antistatic mat or tray). All electronic components must be placed on an ESD protective tray. If stored, any electronic components must be placed in antistatic bags.

Tools needed

$\frac{3}{32}$ " Hex Driver

Remove the Upper Housing

1. Turn the printer off and remove the battery pack.
2. Remove the Upper Housing and the QuickLink Module (or the Wireless Housing Module) per the procedure for AN16753-007.



Install the Connector Door

1. Slip the **Door Connector** over the tab on the Lower Housing as shown. Ensure the Door is secured by the tab feature on the Lower Housing.
2. Reinstall the Upper Housing and the QuickLink module, the Wireless Housing, or the PCMCIA antenna assembly.

MOTOR, QL220 & QL 220 PLUS - AN16972-002



You must use an ESD strap and work at a properly grounded workstation (antistatic mat or tray). All electronic components must be placed on an ESD protective tray. If stored, any electronic components must be placed in antistatic bags.

Preparation

1. Remove the Upper and Lower Housings and the PCB Cover.
2. Remove the MLB from the printer.
3. Remove the Printer Frame.

Installing the Motor

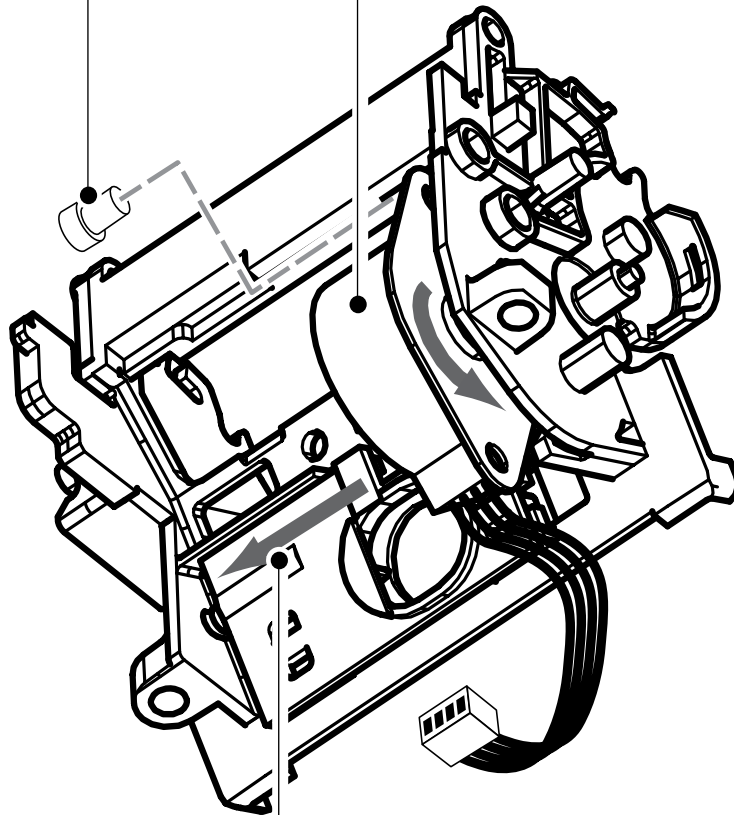
1. Insert the pinion of the Motor into the Printer Frame, noting location of the wires and connector. When the Motor's mounting flange is in contact with the Printer Frame, rotate the Motor in the direction shown until it seats into place.

Note: Push the Rack Lock away from the Motor while assembling.

2. Secure the Motor with a Screw in the top hole of the Motor's mounting flange.

Screw, Socket Hd.
#4-40 x 3/16"
Torque = 5 in/lbs.

Motor



Push Rack Lock
against Printer
Frame while in-
stalling Motor



MOTOR, QL 320/320 PLUS & QL420/420 PLUS- RK18251-1

You must use an ESD strap and work at a properly grounded workstation (antistatic mat or tray). All electronic components must be placed on an ESD protective tray. If stored, any electronic components must be placed in antistatic bags.

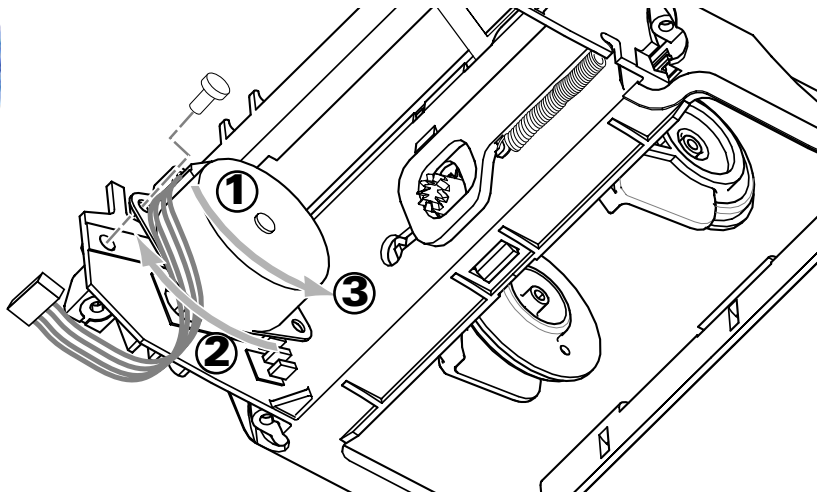


Tools Needed

- #1 Phillips head screwdriver
- 3/32" Hex Driver

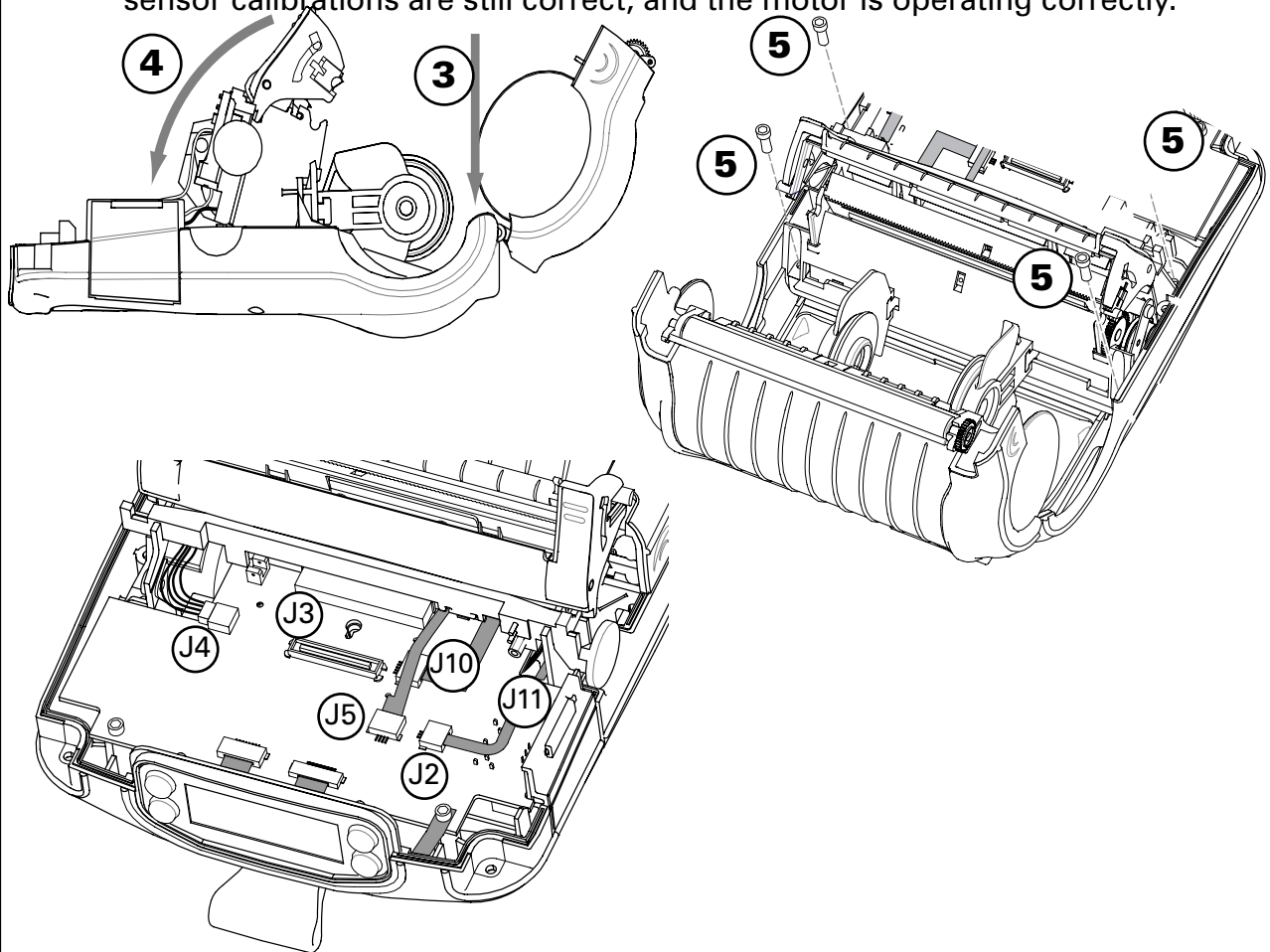
Removing the Motor

1. Turn the printer off and remove the battery pack
2. Remove the QuickLink Module
3. Remove the Upper Housing
4. Disconnect the MLB
5. Remove the Printer Frame and Media Cover Assembly from the Lower Housing.
6. Remove the Motor (1) from the Printer Frame by removing its mounting Screw (2) and twisting the motor away from the frame as shown at "2".
7. Install the new Motor by inserting the pinion through the hole in the Printer Frame and meshing it with the gears on the side of the Printer frame. Rotate the motor into place on the Printer Frame as shown at "3" and secure it with (1) Screw (supplied with the kit) .
8. Hook the tabs on the Lower Housing into the Printer Frame and Media Cover Assembly. Rock the Printer Frame and Media Cover into position as shown at "4".
9. Secure the Printer Frame to the Lower Housing with (4) Screws as shown at "5". Ensure that none of the sensor cables or the motor cables are pinched between the Printer Assembly and the Bottom Cover Prior to assembly.
For ease of handling, close the media cover, but leave the latch in the open position.
10. Plug the printer cables into the MLB. Using Table 1 as a guide, plug in the cables from the Printer to the MLB. Ensure all ZIF connectors for the flat flex



cables are locked.

11. Assemble the Upper Housing to the Printer, and secure it with the retained hardware. At this time either the "D" rings, or the Carrying strap which was supplied with the printer should be reassembled. Note that the longer screws are used to secure the "D" rings.
6. Install the QuickLink module. Plug the either the QuickLink module or the module housing supplied with the printer into the Top Housing, and secure with (1) screw through the battery compartment.
7. Install the Battery Pack. Reinstall the Battery Pack and perform a two-key reset to verify that the Printer has been properly reassembled.
8. Perform the Unit Test procedure. Perform a complete unit test to ensure that the sensor calibrations are still correct, and the motor is operating correctly.



From	# of connections	CPU Connector #
Printhead	28 (Flex)	J3
Motor	4	J4
Media Width Sensor (optional)	3	J11 (bottom of board)
Bar Sensor Cable	3 (Flex)	J2
Gap Sensor/Printhead Ground	5 (Flex)	J10
Label Presence Sensor	4 (Flex)	J5

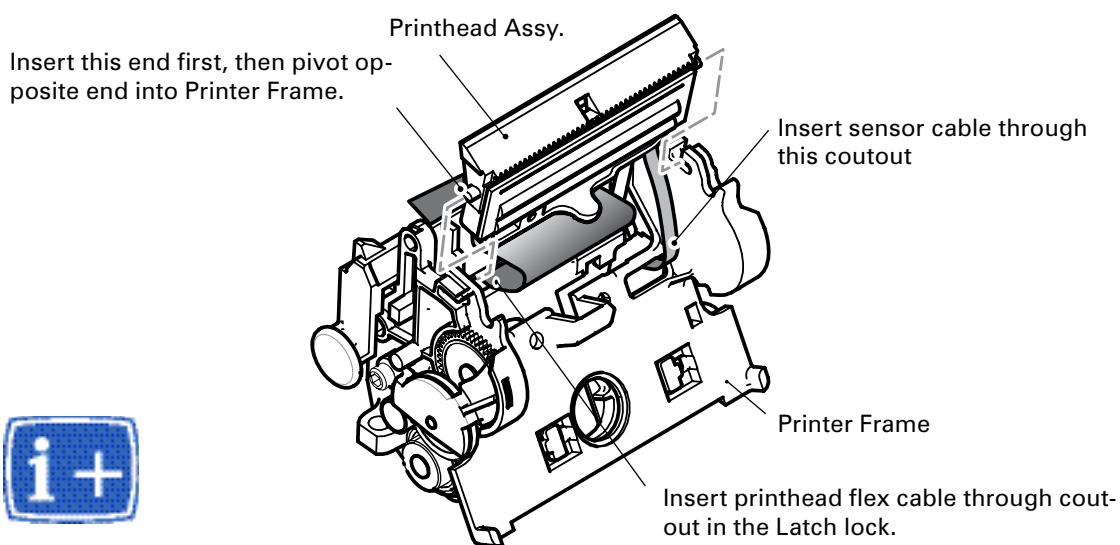
PRINTHEAD, QL220- RK18278-1 & QL 220 PLUS- RK17735-016



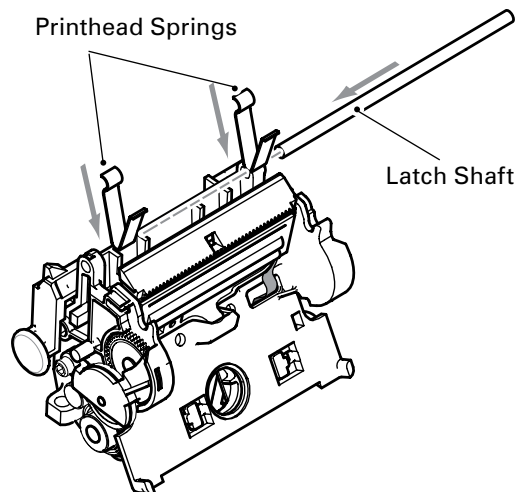
You must use an ESD strap and work at a properly grounded workstation (antistatic mat or tray). All electronic components must be placed on an ESD protective tray. If stored, any electronic components must be placed in antistatic bags.

Installing the Printhead

1. Install the Printhead Assembly. Insert the left hand mounting ear of the Printhead Assembly into the Printer Frame. Rotate the other end into the Printer frame and snap into place.
2. Dress the Flex Cable from the Printhead Assembly through the Latch Lock.
3. Dress the Sensor Cable through the cutout on the Printer Frame.



4. Install Printhead Springs. Snap (2) Springs, Printhead into place. Note that the loop end of the springs fit against the Printer Frame, and the other end will snap into slot features on the Printhead Assembly.
5. Install the Latch Shaft. Slide the Latch Shaft into the Printer Frame so that the Shaft protrudes from either side of the Printer Frame. The loops from the Printhead Springs should rest on the shaft.

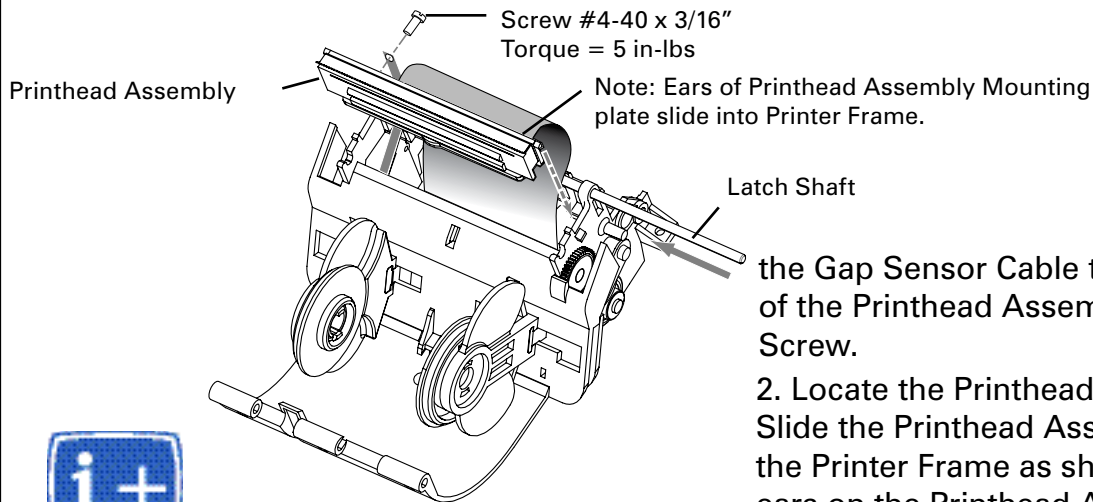


PRINthead, QL320 - RK18277-1 & QL 320 PLUS- RK18465-003



You must use an ESD strap and work at a properly grounded workstation (antistatic mat or tray). All electronic components must be placed on an ESD protective tray. If stored, any electronic components must be placed in antistatic bags.

Installing the Printhead



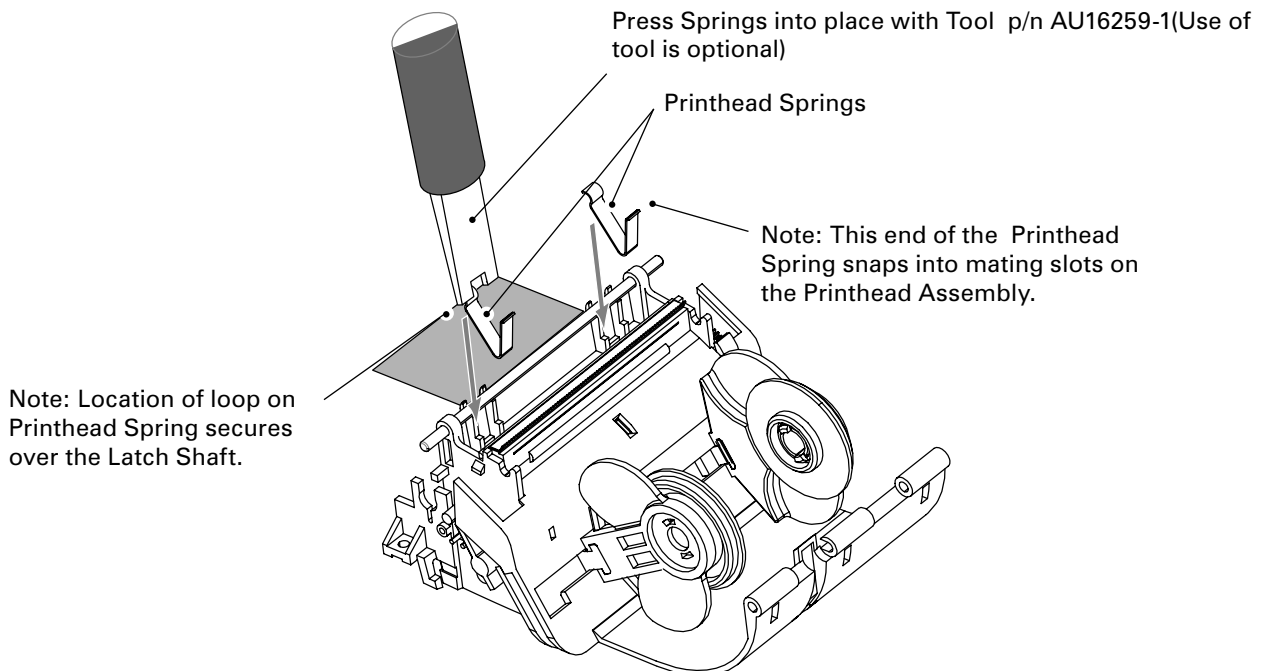
1. Secure the Static Cable. Secure the static ground section of

the Gap Sensor Cable to the back of the Printhead Assembly with a Screw.

2. Locate the Printhead Assembly. Slide the Printhead Assembly into the Printer Frame as shown. The ears on the Printhead Assembly will fit into the Printer frame where

shown. Dress the Printhead Cable as shown.

3. Install the Latch Shaft. Slide the Shaft, Latch into the Printer Frame.
4. Install the Printhead Springs. Snap the Printhead Springs into position. The leg of the Spring with a loop will fit over the Shaft, Latch and the other leg will fit into a slot in the Printhead Assembly.



p/n CL16985-3 CBL FLEX CRKT SHLD QL4 LBL SEN is included with repair kit RK18465-003. Instructions for installation of this cable are included in the procedure for **AN16861-015**

PRINthead, QL 420- RK18252-1 & QL 420 PLUS- RK17735-004



You must use an ESD strap and work at a properly grounded workstation (antistatic mat or tray). All electronic components must be placed on an ESD protective tray. If stored, any electronic components must be placed in antistatic bags.

Introduction

Refer to the Troubleshooting techniques in the front section of this manual and the QL User's Manual to determine if the Printhead should be replaced. If you have ascertained that the Printhead Assembly needs replacing, you must follow the following procedure:

Tools needed

#1 Phillips Head Screwdriver.

$\frac{3}{32}$ " Hex Driver



Preparation

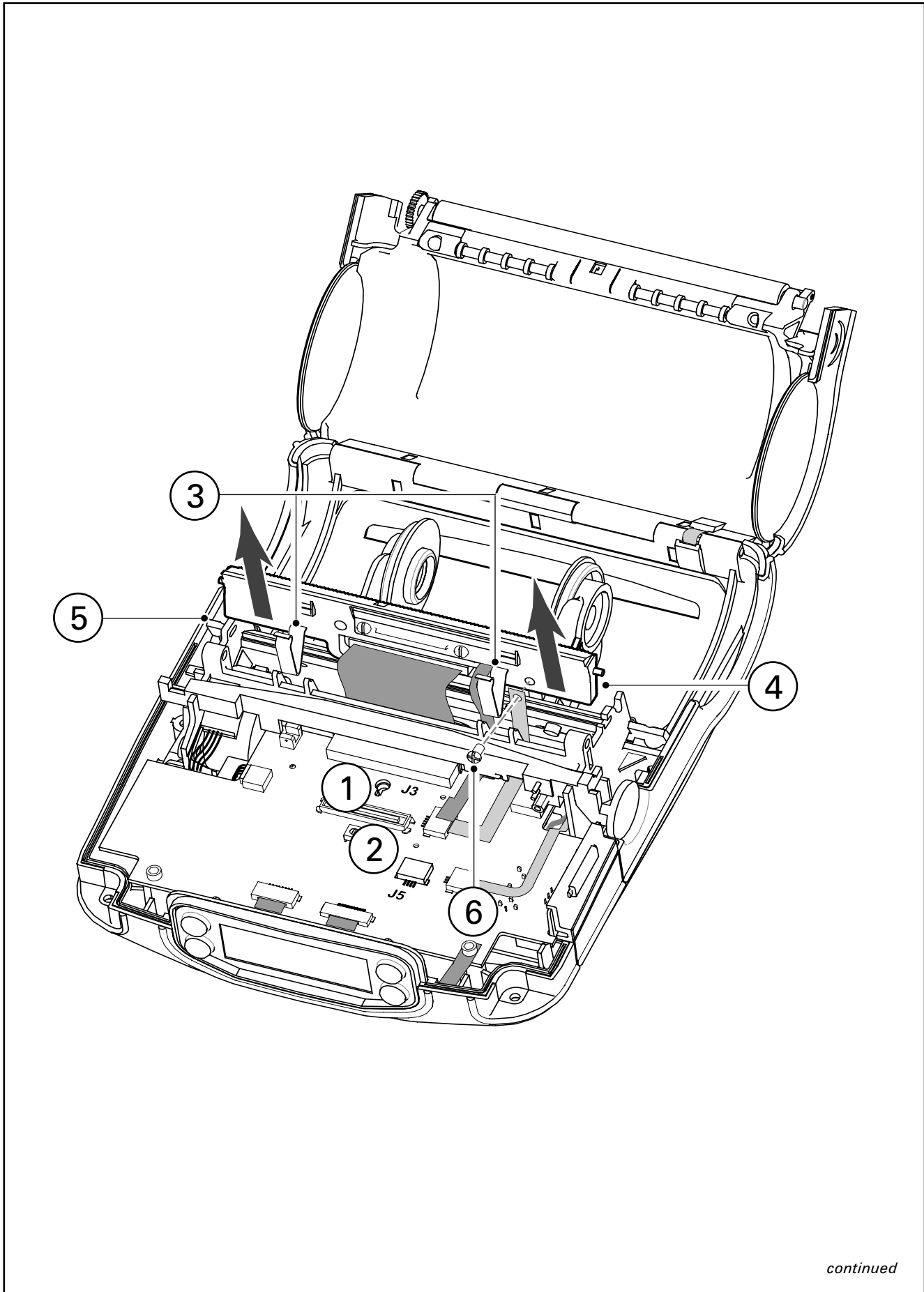
- 1 Turn the printer off and remove the battery pack
- 2 Remove the Radio Module per AN16753-018 & -019
- 3 Remove the Top Cover per AN16753-007
- 4 Remove the Latch Assembly per AN16753-011
5. Remove the Mounting Screws from the MLB to allow access to the Printhead connector. It is not necessary to unplug the Keypad from the MLB.

Remove the Printhead

1. Unplug the flex cable to the printhead.
Release the locking latch of connector J3 and pull the flex cable from the printhead out of the connector as shown at "1".
2. Unplug the label present sensor from the C.P.U. Board.
Release the locking latch of connector J5 and pull the flex cable from the Label Presence Sensor out of the connector as shown at "2".
3. Remove the (2) Printhead Springs.
Pull the (2) Printhead Springs (shown at "3") out of the printer and discard them. The Printhead Repair kit includes new printhead springs.
4. Pull the Printhead Assembly out of the printer.
Lift the Printhead out of the right hand side of the printer as shown at "4", and then pull the pivot point of the printhead out of the left hand side of the printer frame as shown at "5".
5. Unscrew the Gap Sensor ground strap from the printer.
Unscrew the ground strap from the Gap Sense cable from the Printhead Assembly heatsink as shown at "6". Retain the screw.

Install the new Printhead Assembly

1. Plug the Printhead Flex cable into J3 on the C.P.U. Board
Plug the Flex Circuit from the Printhead into J3 of the MLB, and close the con-



continued

nector latch as shown at "1".

2. Plug in the Label Present Sensor

Dress the flex circuit from the Label present sensor under the latch lock and plug it into J5 of the MLB as shown at "2". Close the connector latch.

3. Secure the Gap Sense ground strap

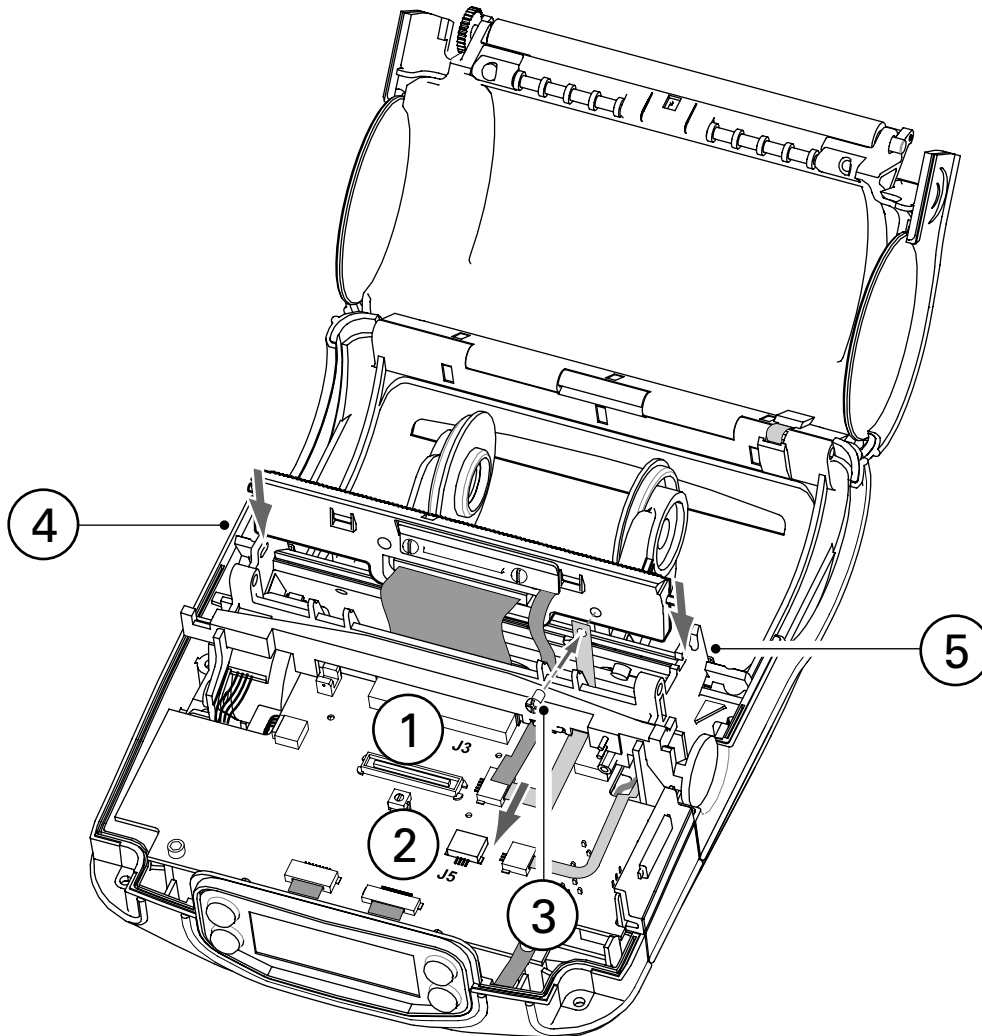
Secure the ground strap from the Gap Sense cable to the printhead heatsink with the retained Phillips head screw as shown at "3". A spare screw is supplied with the Printhead replacement kit.

4. Install the Printhead Assembly

Insert the left hand tab of the printhead into the slot on the Printer Frame Assembly ("4"). Rotate the printhead into the slot on the other side of the Printer Frame at "5".

5. Install the Latch Shaft

Install the Latch Spring (removed with the Latch Assembly) over the right hand side of the Latch Pivot Shaft. Hold the Latch Assembly at an angle to the Printer Frame ("1") with one leg of the Latch Spring captured behind



the vertical feature on the Printer Frame. Slide the Latch Pivot Shaft into the Printer Frame so that the end of the shaft is flush with the left hand side of the Printer Frame.

6. Install the Printhead Springs

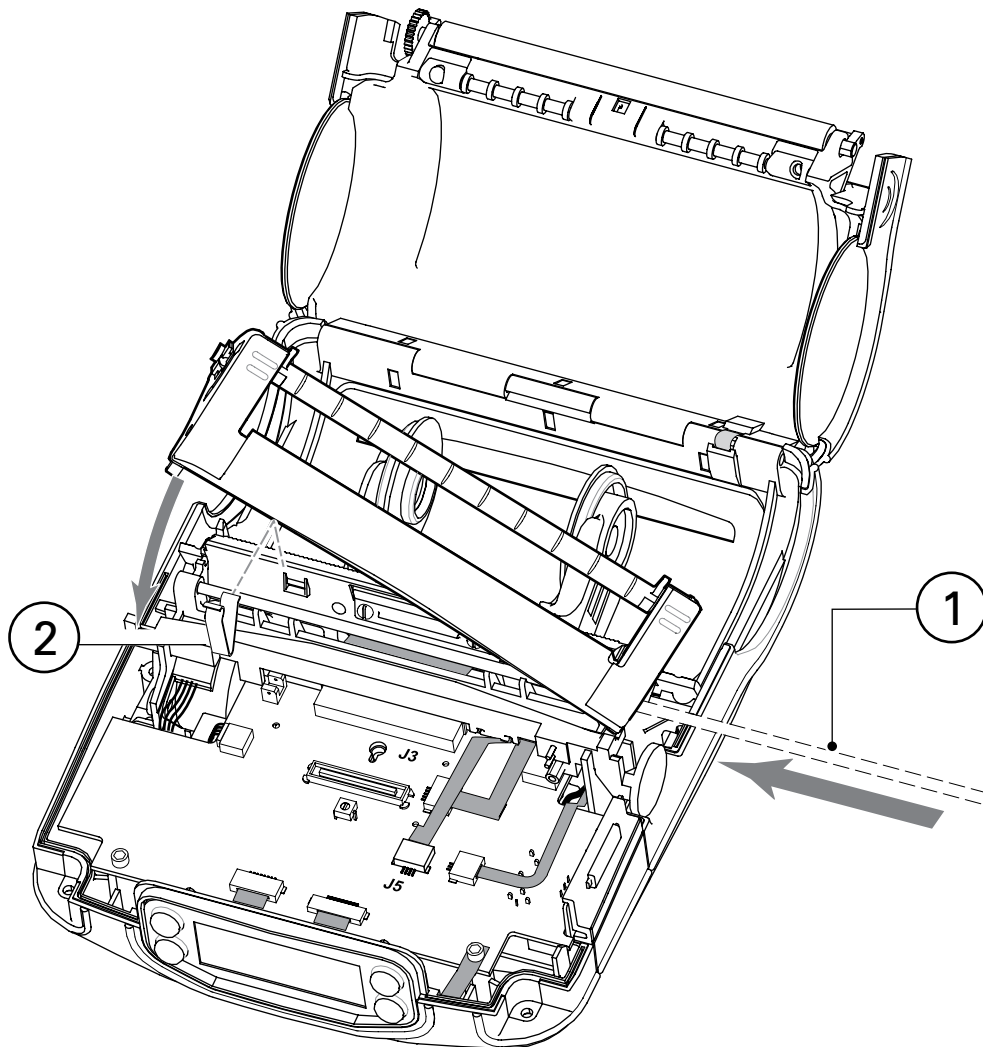
Install the (2) Printhead Springs supplied with the Printhead Repair kit by pressing the end with the loop over the Latch Pivot Shaft, and the short hook on the other end into the heat sink on the Printhead Assembly (shown at "2").

7. Install the Latch Assembly

Complete re-installation of the Latch Assembly (Refer to AN16753-011) The Latch Assembly should be held in the open position by the Latch Spring. Rotating the Latch Assembly closed should allow the Latch Lock to snap into place, retaining the Latch Assembly in the closed position.

8. Install the Upper Housing

Assemble the Upper Housing to the Printer (refer to AN16753-007). At this time either the "D" rings, or the Carrying Strap supplied with the printer



continued

should be reassembled. Note that the longer screws are used to secure the "D" rings.

9. Install the Radio Module.

Refer to AN16753-018. Plug the either the Radio Module or the module housing supplied with the printer into the Top Housing, and secure with (1) screw through the battery compartment.

10. Clean the Printhead

Clean the glass surface of the printhead with either the cleaning pen supplied with the printer or a Q-tip saturated with alcohol. Follow the cleaning procedures outlined in the Maintenance section of the Users Guide.

11. Reinstall the Battery Pack

Reinstall the Battery Pack and perform a two-key reset to verify that the Printhead has been properly installed.

12. Test and Calibrate the Printer.

The printer should be run through the complete unit test procedure detailed in Section 2 of the QL Maintenance Manual to properly calibrate the new sensor.

LATCH, QL 220/QL 220 PLUS- AN16972-004



You must use an ESD strap and work at a properly grounded workstation (antistatic mat or tray). All electronic components must be placed on an ESD protective tray. If stored, any electronic components must be placed in antistatic bags.

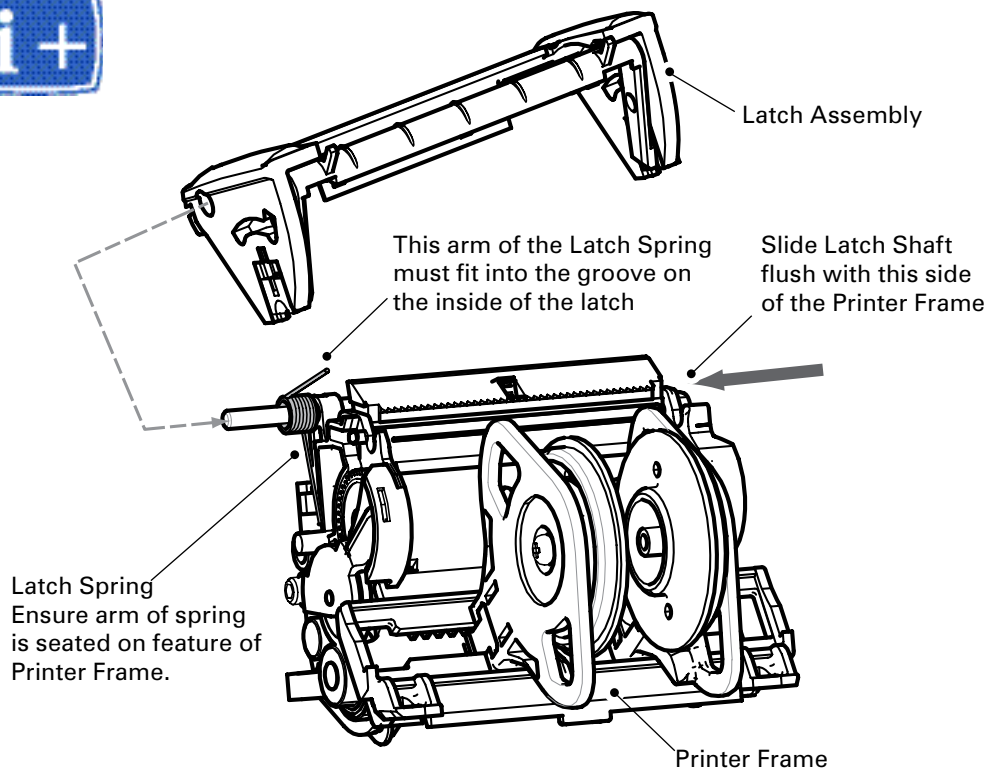
Installing the Latch

1. Slide the Latch Shaft on the Printer Frame Assembly from Station 3 in the direction shown until flush with the side of the Printer Frame.
2. Slide the **Latch Spring** over the other end of the Latch Shaft, and ensure that the arm of the Spring is retained by the feature on the Printer Frame.



NOTE: Flip the Peeler Bail forward in the position shown for greater ease of assembly.

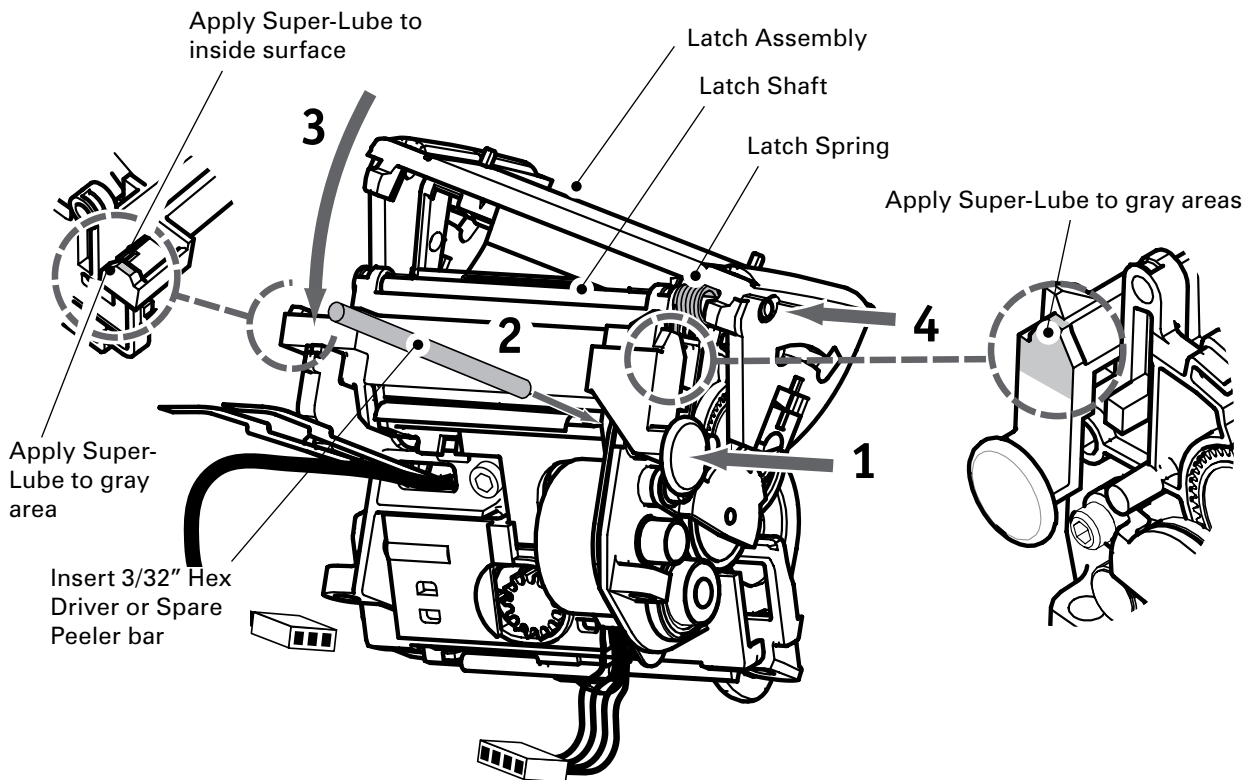
3. Slip the Latch Assembly over the protruding end of the Latch Shaft. Slide it partially onto the Shaft and ensure that the other arm of the Latch Spring will slip into the groove on the inside surface of the Latch.



4. Press the Latch Lock open as shown at "1" on the next page. Insert either a 3/23" hex driver or a spare Peeler bar between the latch Lock and the Printer Frame as shown at "2" to hold the Latch Lock in position.
5. Rotate The Latch Assembly Into Position. Holding the Latch assembly in position on the Latch Shaft, rotate it into position the Printer Frame as shown at "3". The latch Spring must snap into position against the inside of the Latch Assembly, and the hole in the l.h. side of the Latch Assembly must line up with the

Latch Shaft.

6. Press The Latch Shaft Into Position. Press the Latch Shaft so that the ends are flush with the sides of the Latch Assembly.
7. Remove the tool from between the Latch Lock and the Printer Frame.
8. Apply SuperLube to the bearing points on each end of the Latch Lock where shown in details.
9. Test the Latch. Press the Latch Lock Button. The latch assembly should pop open and be held in position by the Latch Spring.
10. Close the latch assembly, and ensure that the Latch Lock snaps back into position and the latch Assembly is locked in place.



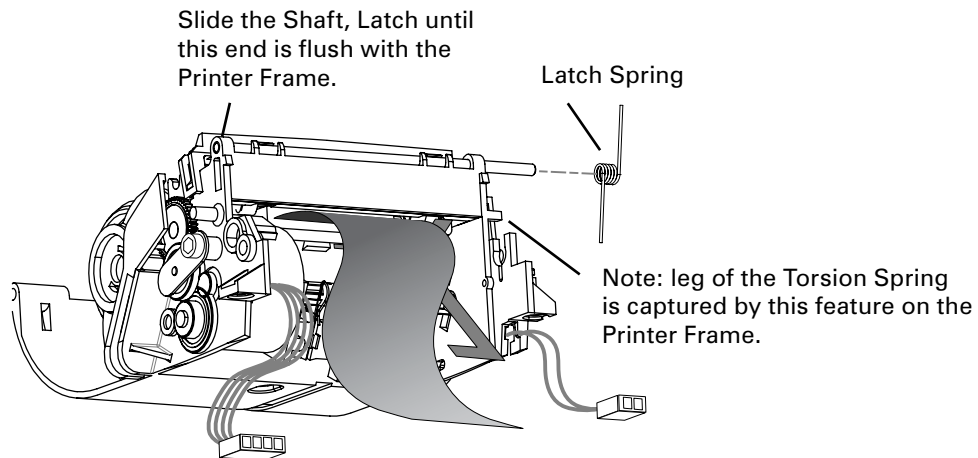
LATCH, QL 320/ QL 320 PLUS- AN16861-025



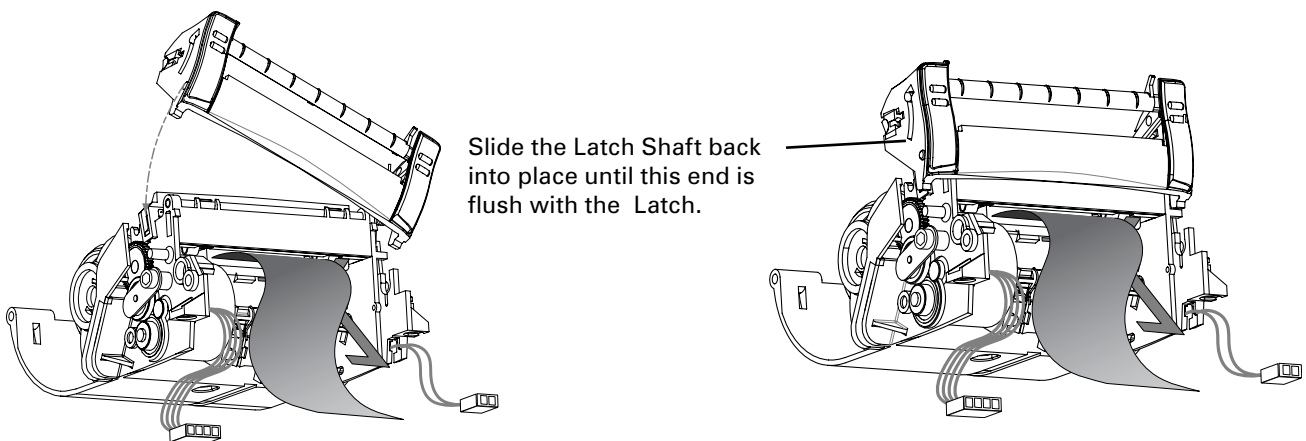
You must use an ESD strap and work at a properly grounded workstation (antistatic mat or tray). All electronic components must be placed on an ESD protective tray. If stored, any electronic components must be placed in antistatic bags.

Installing the Latch

1. Slide the Latch Shaft in the Printer Frame until the end is flush to the frame as shown. Slide the Latch Spring over the end of the Shaft as shown.



2. Slide the Latch Assembly over the right end of the Latch Shaft, holding it at an angle as shown, and then rotate the Latch down into the Printer Frame assembly, capturing the other leg of the Latch Spring.



4. Secure the Latch Assembly. Line the left side of the latch assembly up with the hole for the Latch Shaft. Slide the Latch Shaft back to the left until both ends of the Shaft are flush with the outside of the Latch.

LATCH, QL 420/ QL 420 PLUS- AN16753-011



You must use an ESD strap and work at a properly grounded workstation (antistatic mat or tray). All electronic components must be placed on an ESD protective tray. If stored, any electronic components must be placed in antistatic bags.

Introduction

The Latch Assembly consists of the Latch. The Peeler Assembly, the Latch Shaft and the Latch Spring. If any of these components become physically damaged, the entire Latch Assembly should be replaced.

Tools needed

#1 Phillips Head Screwdriver.

$\frac{3}{32}$ " hex driver

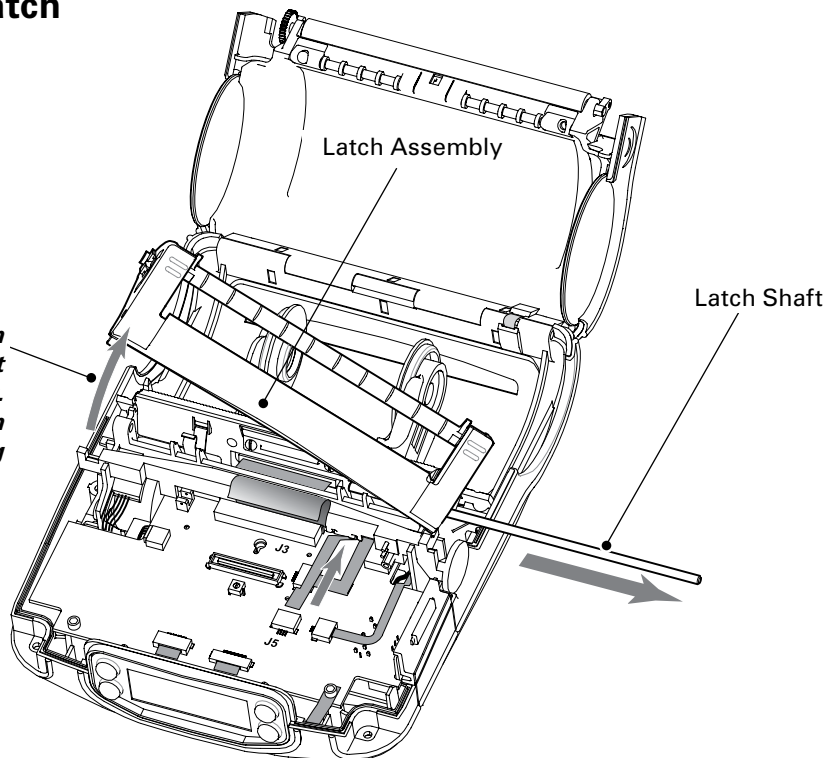
Removing the Latch

1. Turn the printer off and remove the battery pack.
2. Remove the QuickLink Module.
3. Remove the Upper Housing.
4. Open the Media cover. Press the latch release button and open the Media Cover as though loading media. Remove any media from the printer. (Refer to the User's Manual)
5. Remove the Latch Assembly. Push the latch pivot shaft out of the printer. You can use the $\frac{3}{32}$ " hex driver to get the shaft started. Pull the shaft out far enough so that you can rock the Latch Assembly up and away from the printer. Pull the Latch shaft and the latch clear of the printer. Retain the Printhead Springs.

Installing the Latch



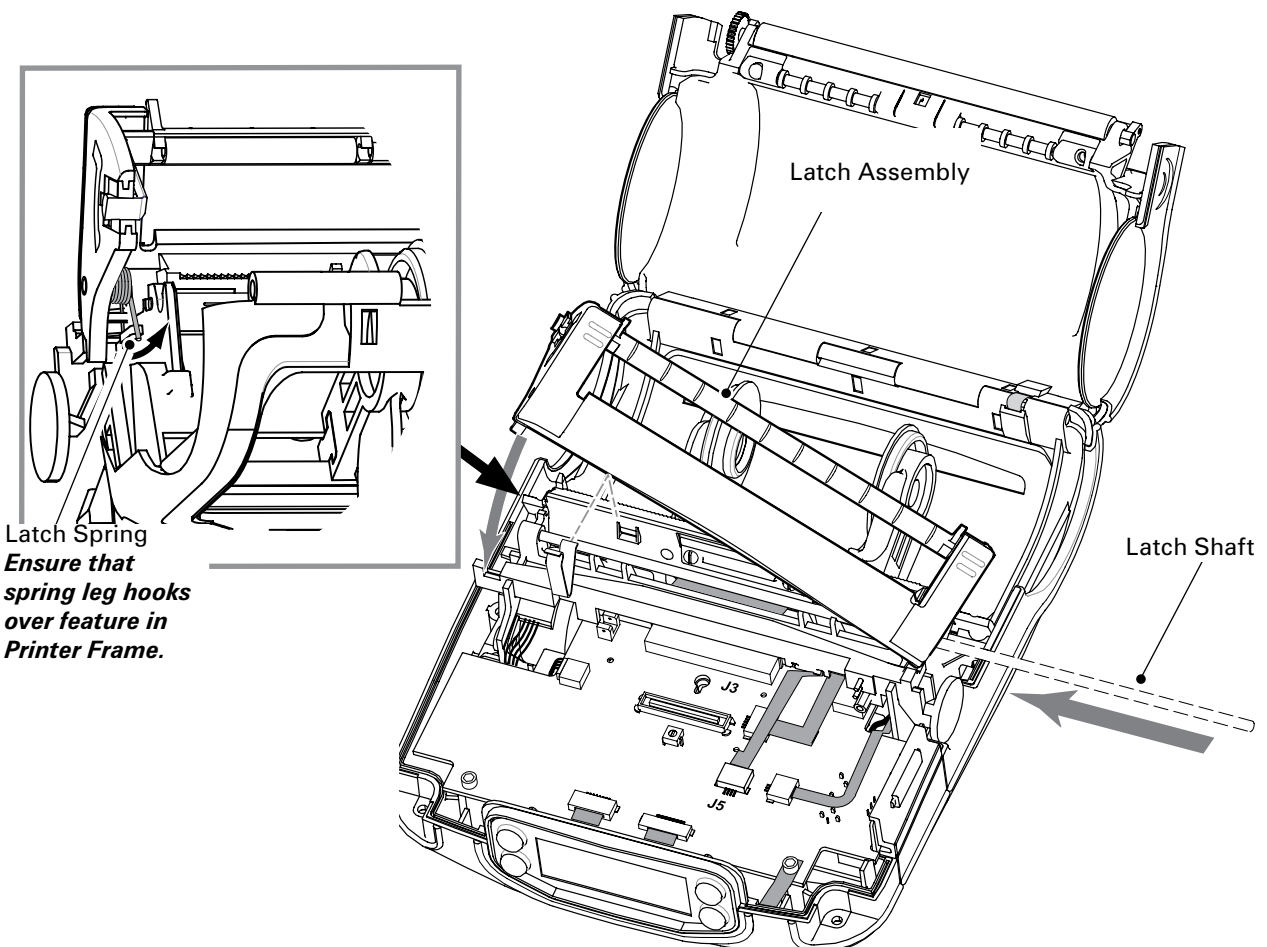
*Rotate Latch Assembly out of the printer.
Remove the Latch Spring*



1. Install the Latch Shaft. Slide the Latch Pivot Shaft into the Printer Frame so that the end of the shaft is flush with the left hand side of the Printer Frame.
2. Install the Printhead Springs. Snap the (2) Printhead Springs back into place between the Printhead Assembly and the Latch shaft .
3. Install the Latch Assembly. Hold the Latch Assembly at an angle to the Printer Frame with one leg of the Latch Spring captured behind the vertical feature on the Printer Frame. Rotate the Latch Assembly over the Printer Frame until the hole in the left hand side of the Latch Assembly lines up with the Latch Pivot Shaft.

Press the Latch Pivot shaft all the way into the Latch Assembly. The Latch Assembly should be held in the open position by the Latch Spring. Rotating the Latch Assembly closed should allow the latch Lock to snap into place, retaining the Latch Assembly in the closed position.

4. Install the Upper Housing.
5. Install the QuickLink module.
6. Install the Battery Pack.
7. Perform a two key reset to verify the printer was reassembled correctly.



PEELER SHAFT & ROLLER, QL 220/220 PLUS- AN16972-006; QL 320/ QL 320 PLUS- AN16861-026 & QL 420- AN16753-024



You must use an ESD strap and work at a properly grounded workstation (antistatic mat or tray). All electronic components must be placed on an ESD protective tray. If stored, any electronic components must be placed in antistatic bags.

Preparation:

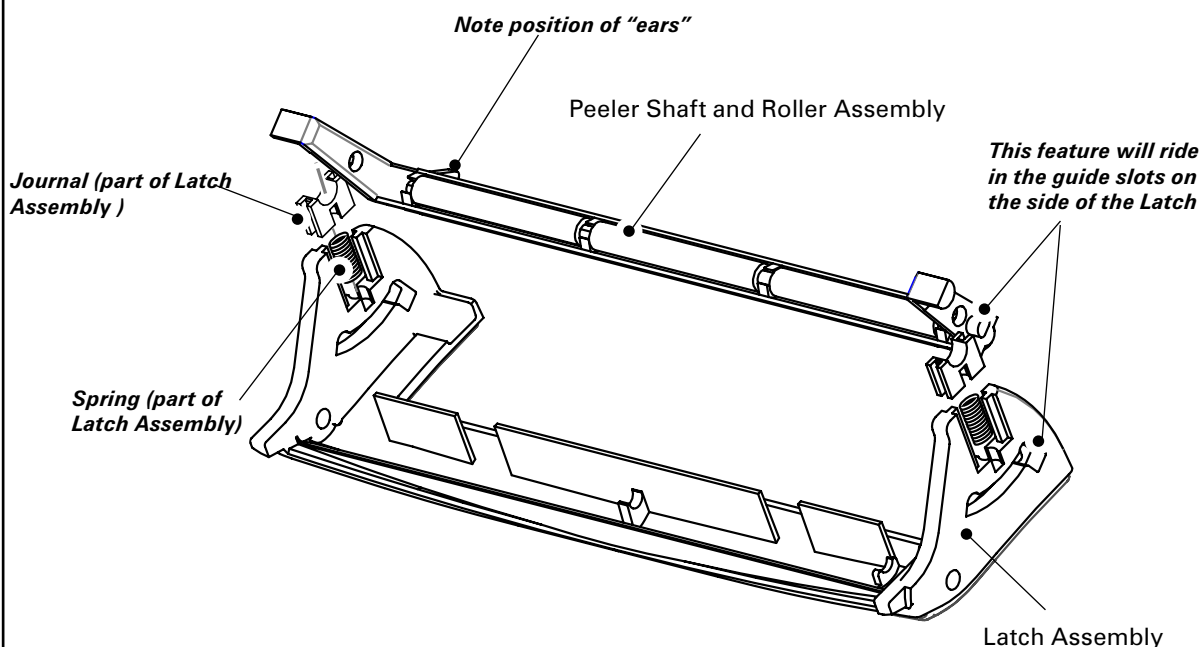
1. Turn the printer off and remove the battery pack.
2. Remove the Latch Assembly Module

Removing the Peeler Shaft and Roller

1. Turn the Latch Assembly upside down.
2. Carefully pull on one flange of the plastic latch and pull out the Peeler Shaft and Roller Assembly. Ensure the two springs and journals installed in the Latch Assembly remain in place.

Installing the Peeler Shaft and Roller

1. Snap the new Peeler Shaft and Roller Assembly into the Latch. The tabs on the bottom of the Peeler Bail will sit in the Journals. The guides on the side of the Peeler Shaft and Roller Assembly should ride in the guides on the Latch. The Peeler Bail Assembly should pivot freely back and forth inside the Latch, and detent into the open and closed positions.
2. Install the Latch Assembly per AN16972-004 (QL 220); AN16861-025 (QL 320) or AN16753-011 (QL 420) and reassemble the printer.



MLB, QL 220- AN16972-013, RK18259-1;

QL 220 PLUS-RK17735-017

QL 220 COST REDUCED-RK17735-029



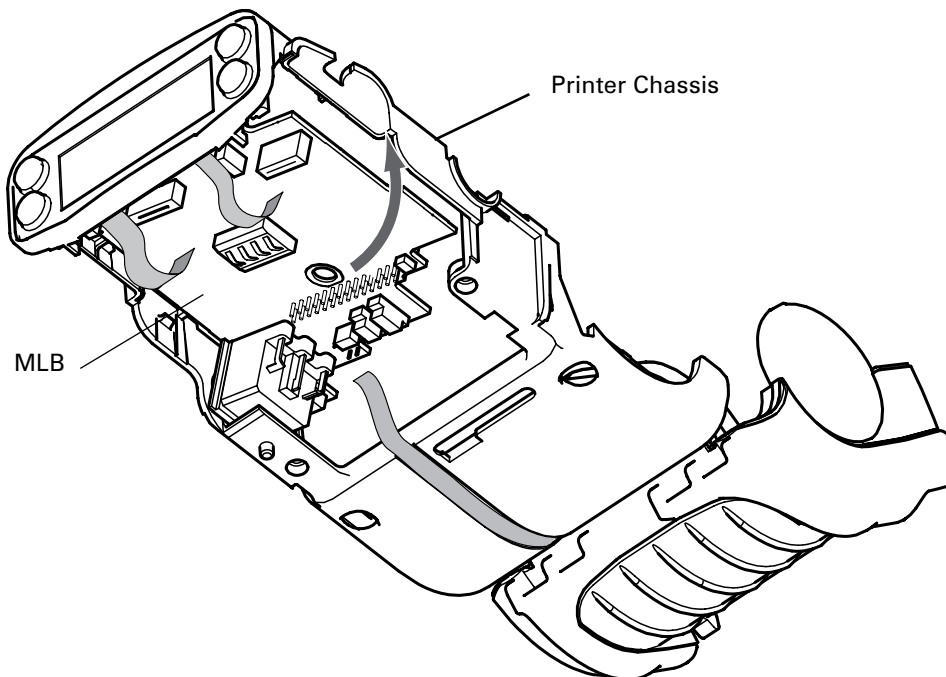
You must use an ESD strap and work at a properly grounded workstation (antistatic mat or tray). All electronic components must be placed on an ESD protective tray. If stored, any electronic components must be placed in antistatic bags.

Removing the MLB

1. Turn the printer off and remove the battery pack.
2. Remove the Upper Housing.
3. Remove the Lower Housing.
4. Unplug all cables from the MLB.
5. Remove the Printer Assembly.
6. Spread apart the sides of the Printer Chassis and remove the MLB.

Installing the MLB

1. Spread apart the sides of the Printer Chassis and rotate the board into the Printer Chassis until it snaps into place. The MLB will be retained between the tabs in the Printer Chassis so that it is square and secure.
2. Install the Printer Assembly.
3. Plug in the printer cables per the following table:



From	# of connections	MLB Connector #
Keypad Ground	1 (Flex)	J1 (GROUND)-
Bar Sensor	3 (Flex)	J2 (BAR)(bottom of board)-
Printhead	28 (Flex)	J3 (PRINthead)-
Motor	4	J4 (MOTOR)(bottom of board)-
Label Presence Sensor	4 (Flex)	J5 (PEEL)-
Membrane Keypad	8 (Flex)	J6 (KEYPAD)-
LCD Keypad	10 (Flex)	J8 (LCD)-
QuickLink Module		J9 (MODULE)-
Gap Sensor/Printhead Ground	5 (Flex)	J10 (GAP)-



Notes:

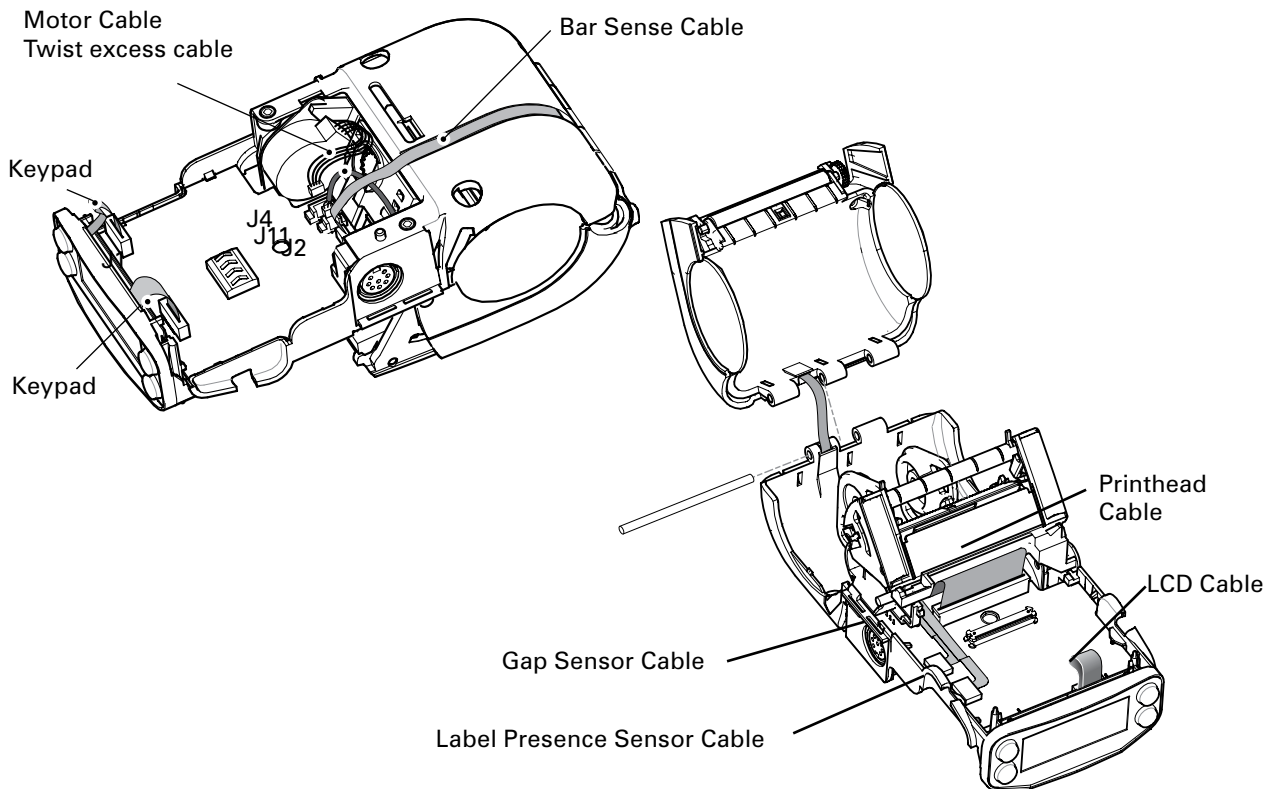
For ease of assembly, install the Printhead and Motor Cables first, then install the optional Media Width Cable.

Connectors for cables are polarized. The connectors will only fit in one direction. Do not try to force the connectors in place.

Flex cables install in zero insertion force (ZIF) connectors. Pull the connector open, insert the cable, and close the connector to retain the flex cable.

Dress all cables away from mounting bosses so they won't get pinched during the next assembly steps.

- Set the Compatibility Switch per PCC digit 10:
If PCC digit 10 = 0, set SW1 to NORMAL CCW (turn fully counterclockwise).

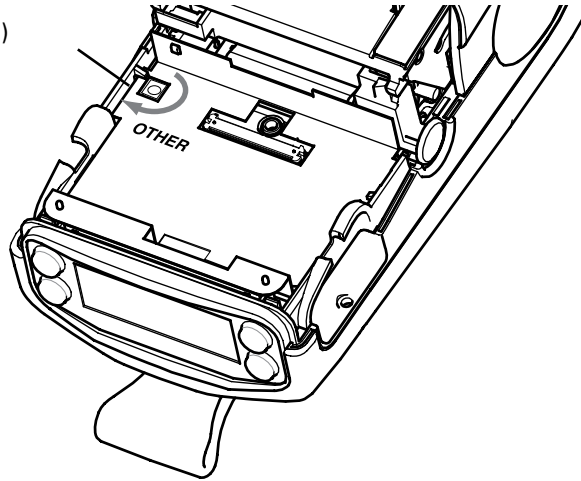


continued

If PCC digit 10 = S, set SW1 to OTHER CW (turn fully clockwise) (PIM-compatible).

5. Install the Keypad cables per the table on the preceding page..
6. Install the Upper Housing and Lower Housing.

Compatibility Switch (SW1)



7. Install the Battery Pack.
8. Load the application. You must reload the printer's original application files. The application files can either be stored on your local system or can be downloaded from the factory's database.



You must have authorization from Zebra to access the application files from the factory.

10. Calibrate the Sensors. Using the gray and white swatches, follow the on-screen instructions on the unit test and set-up software to properly calibrate the sensors.

**MLB, QL 320- AN16861-018, RK18234-1;
 QL 320 PLUS- RK18465-002
 QL 320 COST REDUCED- RK18465-006**

You must use an ESD strap and work at a properly grounded workstation (antistatic mat or tray). All electronic components must be placed on an ESD protective tray. If stored, any electronic components must be placed in antistatic bags.



Removing the MLB

1. Turn the printer off and remove the battery pack.
2. Remove the QuickLink Module.
3. Remove the Upper Housing.
4. Remove the Keypad.
5. Unplug all cables from the MLB.
6. Remove the remaining Screw securing the MLB and pull the MLB out of the printer.

Installing the MLB

1. Plug the Head Open Switch cable and the Media Width Sensor (optional) cables into the bottom of the MLB.

From	# of connections	CPU Connector #
Head Open Switch	2	J1 (HEAD)(bottom of board)
Bar Sensor	3 (Flex)	J2 (BAR)
Printhead	28 (Flex)	J3 (PRINthead)
Motor	4	J4 (MOTOR)
Label Presence Sensor	4 (Flex)	J5 (PEEL)
Membrane Keypad	8 (Flex)	J6 (KEYPAD)
LCD Keypad	10 (Flex)	J8 (LCD)
QuickLink Module		J9 (MODULE)
Gap Sensor/Printhead Ground	5 (Flex)	J10 (GAP)
Media Width Sensor (optional)	3	J11 (WIDTH)(bottom of board)
Keypad Ground	1 (Flex)	Screw

2. Plug the remaining cables into the MLB per the following table:



Notes:

- 1 . For ease of assembly, install the Printhead and Motor Cables first, then install the optional Media Width Cable.
- 2 . Connectors for cables are polarized. The connectors will only fit in one direction. Do not try to force the connectors in place.
3. Flex cables install in zero insertion force (ZIF) connectors. Pull the connector open, insert the cable, and close the connector to retain the flex cable.
4. Dress all cables way from mounting bosses so they won't get pinched during the next assembly steps.

3. Lower the MLB into the Lower Housing. Insure that the board is pushed up un-

continued

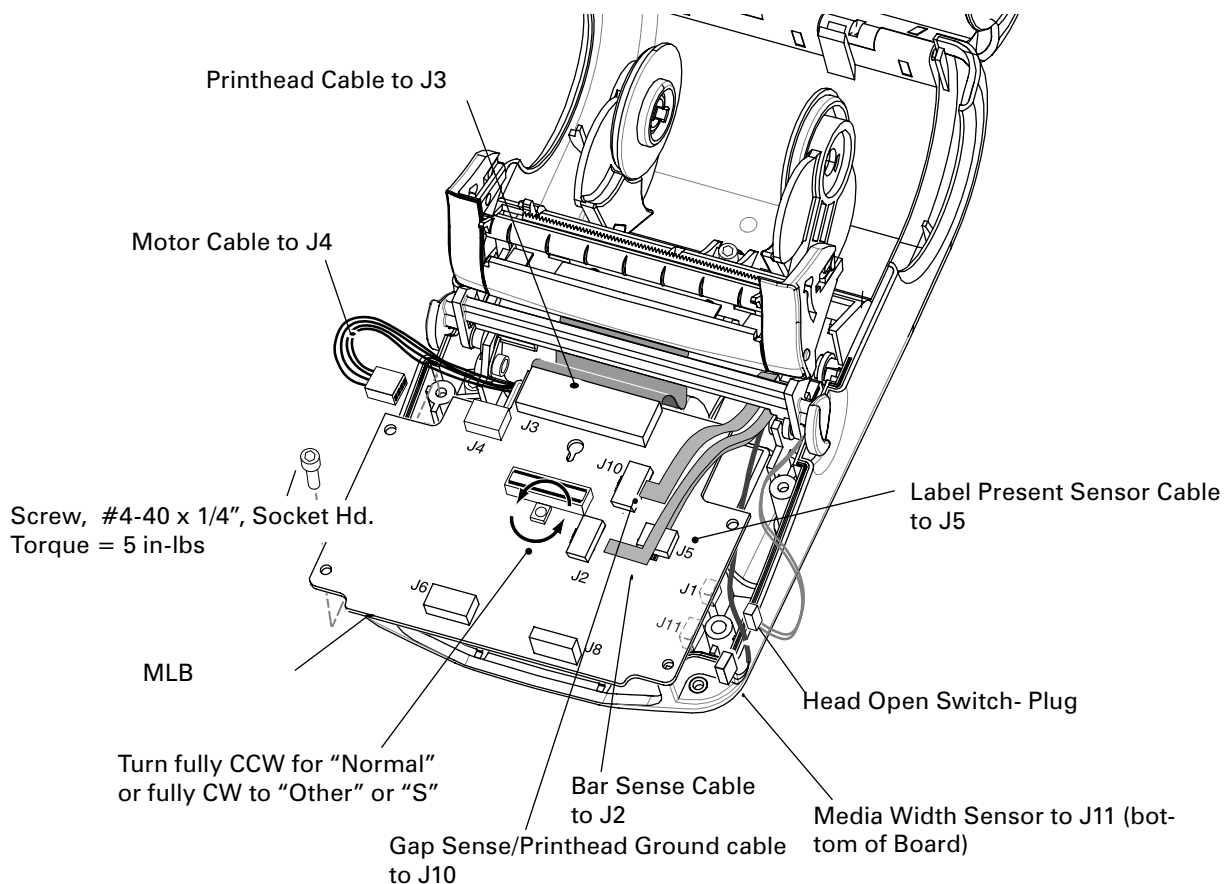
der the retainer features and sits on the locator pin in the Lower Housing.

4. Secure the Ground Strap with 1 Screw and Nylon Washer.
5. Install a second Screw to secure the MLB.
6. Set the Compatibility Switch per PCC digit 10
If PCC digit 10 = 0, set SW1 to NORMAL CCW (turn fully counterclockwise).
If PCC digit 10 = S, set SW1 to OTHER CW (turn fully clockwise).
7. Install the Keypad.
8. Install the Upper Housing.
9. Install the QuickLink module.
10. Install the Battery Pack.
11. Load the application. You must reload the printer's original application files.
The application files can either be stored on your local system or can be downloaded from the factory's database.



You must have authorization from Zebra to access the application files from the factory.

12. Calibrate the Sensors. Using the gray and white switches, follow the on-screen instructions on the unit test and set-up software to properly calibrate the sensors.



MLB, QL 420- AN16753-016 & RK18228-1; QL 420 PLUS- RK17735-002 QL 420 COST REDUCED- RK17735-029



You must use an ESD strap and work at a properly grounded workstation (antistatic mat or tray). All electronic components must be placed on an ESD protective tray. If stored, any electronic components must be placed in antistatic bags.

Introduction

You will need to replace the MLB if it has been determined that it no longer functions properly. This procedure covers installation of MLBs with either 1M/1M or 2M/2M SRAM/Flash Memory configurations.

You must re-load the printer's application files and re-calibrate the printer after replacing the MLB.

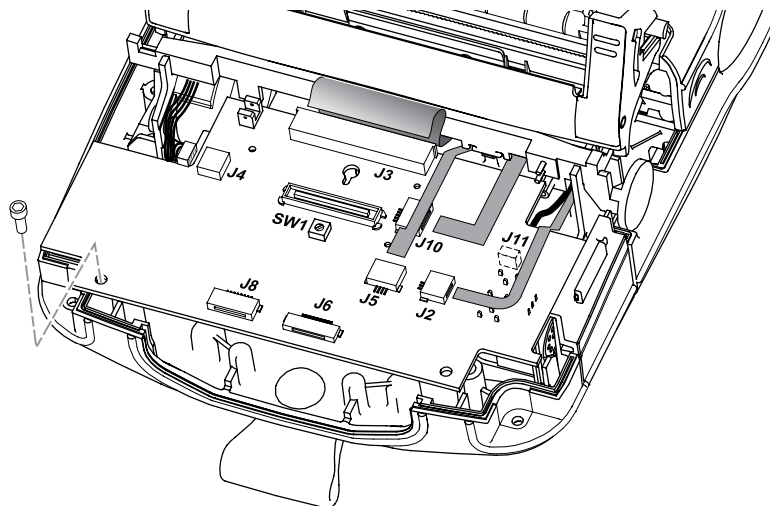
Remember that if you change the MLB type from what was originally installed on your printer, you must also change the printer's configuration label.

Removing the MLB

1. Turn the printer off and remove the battery pack.
2. Remove the QuickLink Module.
3. Remove the Top Cover.
4. Remove the Keypad.
5. Unplug all remaining cables from the MLB as shown below.
6. Remove the MLB. Remove the remaining Screw securing the MLB. Pull the MLB out of the printer.

Installing the MLB

1. Slide the replacement MLB into place on the Lower Housing. Insure that the board is pushed up under the retainer features and sits on the locator pin in the Lower Housing. Secure in place with (1) of the Screws supplied in the kit where shown. Ensure that the tab on the Latch Lock slides through the head open detector without interference.
2. Plug in the printer cables per the following table:



From	# of connections	CPU Connector #
Head Open Switch	2	J1 (HEAD)(bottom of board)
Bar Sensor	3 (Flex)	J2 (BAR)
Printhead	28 (Flex)	J3 (PRINTHEAD)
Motor	4	J4 (MOTOR)
Label Presence Sensor	4 (Flex)	J5 (PEEL)
Membrane Keypad	8 (Flex)	J6 (KEYPAD)
LCD Keypad	10 (Flex)	J8 (LCD)
QuickLink Module		J9 (MODULE)
Gap Sensor/Printhead Ground	5 (Flex)	J10 (GAP)
Media Width Sensor (optional)	3	J11 (WIDTH)(bottom of board)
Keypad Ground	1 (Flex)	Screw




Notes:

For ease of assembly, install the Printhead and Motor Cables first, then install the optional Media Width Cable.

Connectors for cables are polarized. The connectors will only fit in one direction. Do not try to force the connectors in place.

Flex cables install in zero insertion force (ZIF) connectors. Pull the connector open, insert the cable, and close the connector to retain the flex cable.

Dress all cables away from mounting bosses so they won't get pinched during the next assembly steps.

3. Set the Compatibility Switch per PCC digit 10
If PCC digit 10 = 0, set SW1 to NORMAL CCW (turn fully counterclockwise).
If PCC digit 10 = S, set SW1 to OTHER CW (turn fully clockwise).
 4. Secure the MLB. Slide the MLB into place on the Lower Housing. Insure that the board is pushed up under the retainer features and sits on the locating pin in the Lower Housing. Secure in place with (1) of the retained screws where shown. Ensure that the tab on the Latch Lock slides through the head open detector without interference.
 5. Install the Keypad.
 6. Install the Upper Housing.
 7. Install the QuickLink module.
 8. Install the Battery Pack.
 9. Load the application. You must reload the printer's original application files. The application files can either be stored on your local system or can be downloaded from the factory's database.
-  You must have authorization from Zebra to access the application files from the factory.
10. Calibrate the Sensors. Using the gray and white swatches, follow the on-screen instructions on the unit test and set-up software to properly calibrate the sensors.

continued

Motor Cable- Plug into J4

Turn SW1 CCW all the way for PCC digit 10 = 0;
Turn SW1 CW all the way for PCC digit 10 = S

Screw, Socket
Hd. #4-40 x1/4

MLB QL 420
p/n CQ16987-G4;or
MLB QL 420 Plus:
p/n CQ16923-G4

Printhead Flex Circuit-
Plug into J3

Label Presence
Flex Circuit- Plug
into J5

Gap Sensor/Printhead
Ground Flex Circuit- Plug
into J10

Optional Media Width
Sensor Cable- Plug into
J11 on bottom of CPU
Assy

Bar Sensor
Flex Circuit-
Plug into J2

Tab on Latch Lock
must slide through
head open detec-
tor on MLB after
assembly.

BELT CLIP, QL 220/220 PLUS, QL 320/320 PLUS & QL420/420 PLUS - AN16744-1 & AN16753-009

Tools needed:

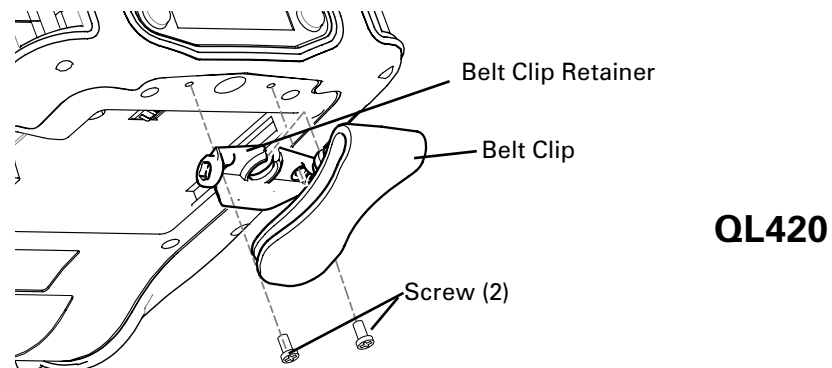
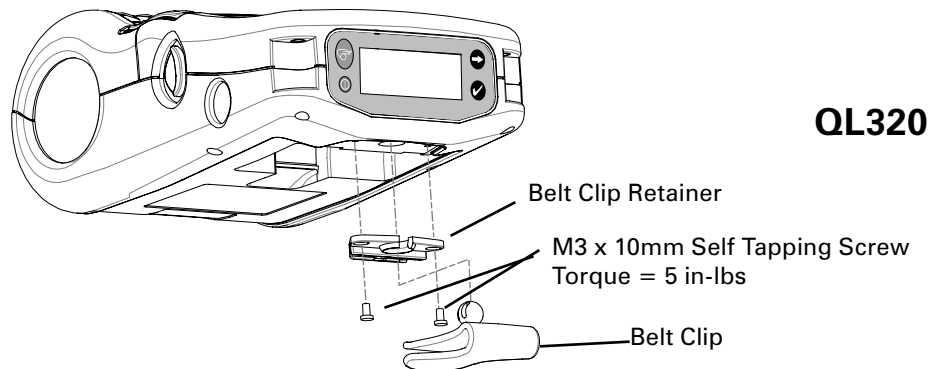
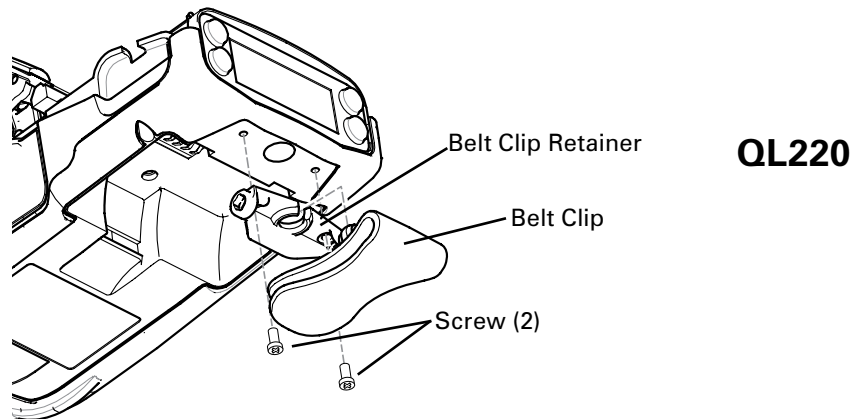
Phillips Head Screwdriver

Removing the Belt Clip

1. Remove the (2) Screws securing the Belt Clip to the Lower Housing.
2. Remove the old Belt Clip.

Installing the Belt Clip

1. Slide the Belt Clip into the Belt Clip Retainer.
2. Secure the Belt Clip and Belt Clip Retainer to the bottom of the printer with (2) Screws (supplied) as shown.



**D-RINGS, QL 320/ 320 PLUS- AN16753-010;
CARRYING STRAP, QL 220/220 PLUS, QL 320/320 PLUS &
QL 420/ 420 PLUS- AN16753-009**

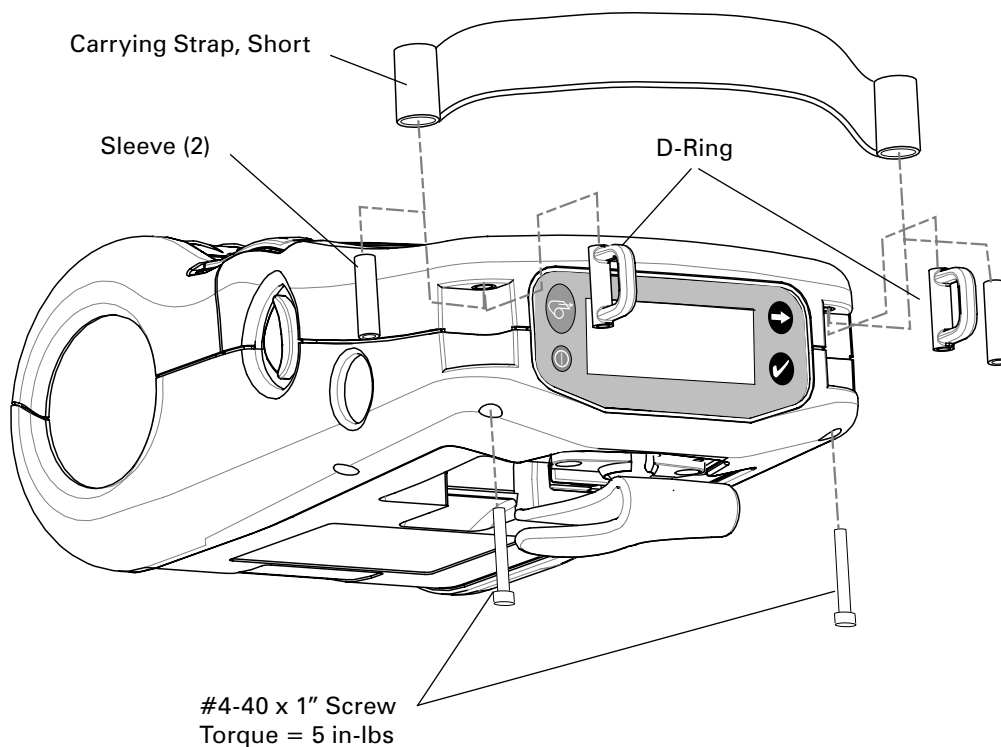
AN16753-010: Install the D-Rings

Position the 2 D-Rings between the upper and Lower Housing and install the 2 #4-40 x 1" Socket Head Screws.

AN16753-009: Install the Carrying Strap

Slide the 2 Sleeves into the loops of the Carrying Strap.

Slide the 2 Sleeves between the upper and Lower Housing, capturing the Carrying Strap between the upper and lower covers. Secure the Upper and Lower Housings with the 2 #4-40 x 1" Socket Head Screws.



CORNER ATTACHMENT KIT, QL 320/320 PLUS & QL420/420 PLUS- AN16753-010

Introduction:

This kit supplies you with the parts needed to:

- Replace the "D" rings supplied as standard equipment with the printer. or
- Install the bushings supplied for use with the optional carrying strap.

Tools needed:

3/32" hex driver

Removing the "D" Rings

1. Remove the (2) Screws securing the upper and lower covers of the printer.
2. Slide the (2) "D" rings out from the Printer.

Installing the "D" Rings

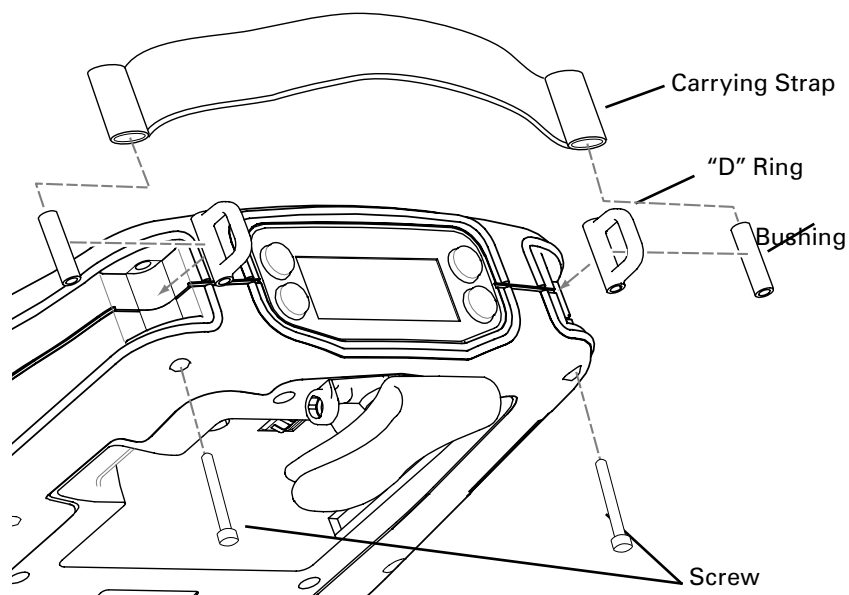
1. Slide the (2) "D" rings into the Printer.
2. Install the (2) Screws supplied with the kit.

Removing the Bushings

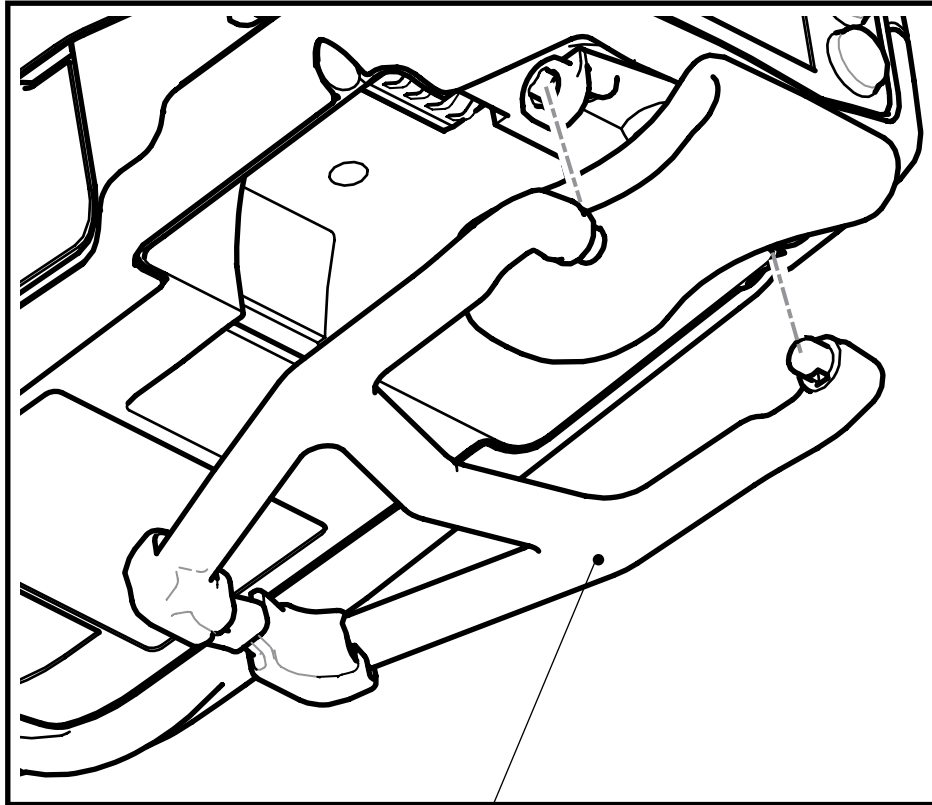
1. Remove the (2) Screws securing the upper and lower covers of the printer,
2. Slide the (2) bushings and the Carrying Strap out from the Printer.

Installing the Bushings

1. Slide the (2) bushings supplied with the kit into the loops of the Carrying Strap (not supplied with this kit.) If you will be installing a printer in a Mobile Mount application, you should not install the carrying strap.
2. Slide the Bushings back into the Printer between the upper and lower housings.
3. Install the (2) Screws supplied with the kit.



KICKSTAND OPTION, QL 220/ 220 PLUS, QL 320/320 PLUS & QL 420/420 PLUS - AN16744-1 & AN16972-022



Kickstand

Install the Kickstand (QL 220 illustrated)

Hook one of the pivots of Kickstand into the Retainer.
Snap the other pivot into place.

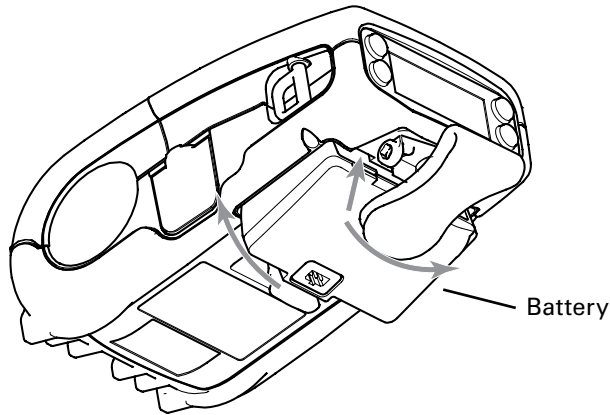
BATTERY REPLACEMENT, QL 220/220 PLUS, QL 320/ 320 PLUS, & QL 420/ 420 PLUS

Removing the Battery Pack.

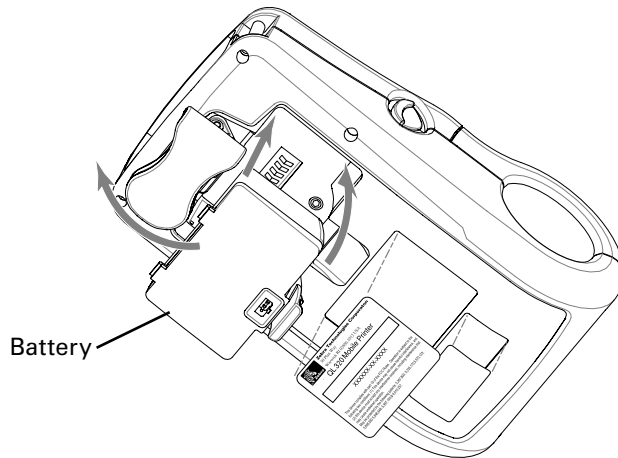
Press the battery latch toward the battery and lift the battery out of the printer.

Installing the Battery Pack.

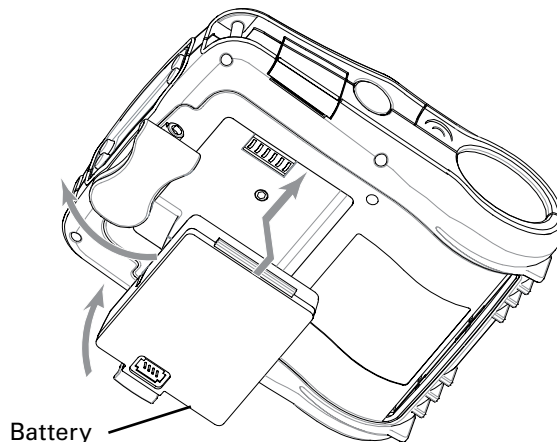
1. Rotate the Belt Clip to clear the battery compartment.
2. Insert the battery pack, and rotate the clip end of the pack into the battery compartment until the battery locks in place.



**AT16004-1
(QL220)**



**AT16004-1
(QL320)**



**AT16393-1
(QL420)**

SECTION 3 • QL SERIES CONFIGURATIONS

USING THE PRODUCT CONFIGURATION CODE

Each QL series printer has a Product Configuration Code (PCC). When ordering replacement parts, use the PCC code to determine the features installed on your printer. Then use the exploded views to determine which kit to order.

Contact Customer Service if you are unsure of the correct part or assembly number. Refer to “Factory Repair & Parts Ordering Procedure” for further information on ordering parts.

COMPONENT REPLACEMENT PROCEDURES

If you install a part on a QL series printer different from the originally installed component, you may have to change the configuration status (PCC code) of the printer.

A change in the printer’s configuration status requires an update to the configuration label. This step enables service and technical support personnel to accurately diagnose any problems which may occur with your printer.

Repair kits identified for use with QL Plus models are not interchangeable with similar QL kits. Kits identified for use with QL models are not interchangeable with similar QL Plus kits. Repair kits not specifically identified for use with either QL or QL Plus models can be used on both models.

If you need to send your printer to the Factory Service Center (FSC), your printer will be updated as necessary to conform with the configuration label.



Notes: If the label does not properly identify the printer’s current configuration, any changes you have made to the printer’s configuration may be removed should it be returned to Zebra.

If you contact Zebra’s technical support staff, you will be asked for your unit’s configuration number. If the configuration number you supply does not correspond to the printer’s actual status, any technical support you receive may not be accurate.

FACTORY REPAIR AND PARTS ORDERING PROCEDURE

If you need to return a printer to the factory for repair or upgrade, a **Return Material Authorization (RMA)** must be issued from **Repair Services** prior to returning any assemblies, PC boards, printers, cables, etc. for repair or replacement. The name, address, contact and phone number of the company that equipment is to be returned to must also be provided. A problem description is also necessary.

When replacing items always refer to the Product Configuration Code to insure the correct part for your specific unit is being ordered. If you are unsure of the correct part, contact Zebra Customer Service with the unit serial number, and the Product Configuration Code to obtain the appropriate part number(s). The serial number label and Product Configuration Code label are either on the bottom or the back of the printer. Refer to Repair Manual Organization page for more information on label location. Portable printers with the optional protective boot will have to have the lower boot removed to gain access to the PCC label.

Equipment received without return authorization will not be accepted.

REPAIR SERVICES CONTACT INFORMATION IN THE USA

Zebra Technologies Corporation,LLC
333 Corporate Woods Parkway
Vernon Hills, Illinois 60061-3109 USA
Phone: +1.847.913.2259
Fax: +1.847.913.8766
e-mail: repair@zebra.com
RMA requests: repair@zebra.com

IN EUROPE

Zebra Technologies Europe, Limited
Zebra House
The Valley Centre, Gordon Road
High Wycombe
Buckinghamshire HP13 6EQ, United Kingdom
Telephone: +44 1494 768298
Fax: +44 1494 768210
e-mail: tseurope@zebra.com
RMA requests: ukrma@zebra.com
Ask for Customer Support

QL 220 PRODUCT CONFIGURATION CODE (PCC)

1	2	3	4	5	6	7	8	9	10	11	12	13	14	15	
Q	2	-	-	-	-	-	-	-	0	-	-	-	-	-	QL 220/220 Plus Printer
SRAM/FLASH															
-	-	B	-	-	-	-	-	-	0	-	-	-	-	-	2M/2M
-	-	C	-	-	-	-	-	-	0	-	-	-	-	-	8M/4M (QL 220 Plus)
-	-	D	-	-	-	-	-	-	0	-	-	-	-	-	16M/8M (QL 220 Plus)
KEYPAD/DISPLAY															
-	-	-	L	-	-	-	-	-	0	-	-	-	-	-	LCD
-	-	-	M	-	-	-	-	-	0	-	-	-	-	-	Membrane
CHARACTER SET															
-	-	-	U	-	-	-	-	-	0	-	-	-	-	-	US/Canadian English/Latin 1 & 5 (Including Turkish)
-	-	-	D	-	-	-	-	-	0	-	-	-	-	-	Chinese 16 x 16
-	-	-	F	-	-	-	-	-	0	-	-	-	-	-	Japanese 16 x 16
-	-	-	G	-	-	-	-	-	0	-	-	-	-	-	Japanese 24 x 24
-	-	-	H	-	-	-	-	-	0	-	-	-	-	-	Chinese 16 x 16 (simplified)
-	-	-	I	-	-	-	-	-	0	-	-	-	-	-	Chinese 24 x 24 (simplified)
COMMUNICATION-WIRELESS/SRRF															
-	-	-	1	-	-	-	-	-	0	-	-	-	-	-	None (cable communications only)
-	-	-	2	-	-	-	-	-	0	-	-	-	-	-	IrDA
-	-	-	B	-	-	-	-	-	0	-	-	-	-	-	Bluetooth™
-	-	-	F	-	-	-	-	-	0	-	-	-	-	-	WLAN 802.11b (Zebra Value Radio)
-	-	-	K	-	-	-	-	-	0	-	-	-	-	-	WLAN 802.11g ("N" & "E" countries only)
-	-	-	M	-	-	-	-	-	0	-	-	-	-	-	WLAN 802.11b (Compact Flash) "N" countries
-	-	-	N	-	-	-	-	-	0	-	-	-	-	-	WLAN 802.11b ¹ (Compact Flash) "E" countries
MEDIA HANDLING															
-	-	-	A	-	-	-	-	-	0	-	-	-	-	-	Direct Thermal/Linered Platen
-	-	-	B	-	-	-	-	-	0	-	-	-	-	-	Direct Thermal/Linereless Platen
-	-	-	C	-	-	-	-	-	0	-	-	-	-	-	Direct Thermal/Linered Platen/Label Present Sensor
-	-	-	D	-	-	-	-	-	0	-	-	-	-	-	Direct Thermal/Linereless Platen/Label Present Sensor
COUNTRY CODE															
-	-	-	-	-	-	-	-	0	0	-	-	-	-	-	Group "O" (North America, Australia, New Zealand)
-	-	-	-	-	-	-	-	L	0	-	-	-	-	-	Group "L" (Brazil, Argentina)
-	-	-	-	-	-	-	-	E	0	-	-	-	-	-	Group "E" (EU/EFTA)
-	-	-	-	-	-	-	-	A	0	-	-	-	-	-	Group "A" (Japan, Taiwan, Korea)
-	-	-	-	-	-	-	-	B	0	-	-	-	-	-	Group "B" (China, Singapore, Thailand, Phillipines)
HARDWARE OPTIONS															
-	-	-	-	-	-	-	-	0	0	-	-	-	-	-	Belt Clip (Standard)
-	-	-	-	-	-	-	-	0	1	-	-	-	-	-	Shoulder Strap
-	-	-	-	-	-	-	-	0	2	-	-	-	-	-	Hand Strap
-	-	-	-	-	-	-	-	0	3	-	-	-	-	-	Stand
-	-	-	-	-	-	-	-	0	4	-	-	-	-	-	No Options/No Belt Clip
OTHER OPTIONS															
-	-	-	-	-	-	-	-	0	0	-	-	-	-	-	None
-	-	-	-	-	-	-	-	0	1	-	-	-	-	-	Media Width Sensing
CUSTOMER SPECIFIC OPTIONS															
-	-	-	-	-	-	-	-	0	-	-	0	0	-	-	Refer to Specific PCC level BOM

PCC Notes

Each QL 220 Mobile Printer has a Product Configuration Code (PCC) label on the bottom of the unit. Use this chart to determine the features installed on your printer, then use the Illustrated Parts List on the following pages to determine which replacement kits must be ordered.

Repair kits identified for use with QL 220 Plus models are not interchangeable with similar QL 220 kits. Kits identified for use with QL 220 models are not interchangeable with similar QL 220 Plus kits. Repair kits not specifically identified for use with either QL 220 or QL 220 Plus can be used on both models.

PCC Example:

PCC number Q2D-LUBA0010-00 results in a QL 220 Plus with the following:

- CPU Board with 8M each of SRAM and Flash Memory;
- LCD display;
- US/Candian English/Latin 1 & 5 fonts;
- Bluetooth™ wireless module;
- Standard (lined media) platen;
- Certified for use in North America, Australia and New Zealand.
- Shoulder Strap.
- Belt Clip

No media width sensing

Accessory Parts (not illustrated)

PART NUMBER	DESCRIPTION	QTY
AN11209-1	KIT COMPL CLEANING PENS 12-PK	1
BT11132-1	SHOULDER STRAP	1
BT16899-1	STRAP HAND CARRY 8.0 W/ SNAPS	1
BT14029-3	STRAP CARRYING 8.0 (NO RINGS)	1
AT17696-1	FAST CHARGER, U.S. AND JAPAN	1
AT17696-2	FAST CHARGER, UK	1
AT17696-3	FAST CHARGER, EUROPE	1
AT17696-4	FAST CHARGER, AUSTRALIA	1
AT16305-4	QUAD CHARGER LI-ION (US)	1
AC18177-1	QUAD CHARGER LI-ION QL3/4 UK	1
AC18177-2	QUAD CHARGER LI-ION QL3/4 EURO	1
AC18177-3	QUAD CHARGER LI-ION QL3/4 AUST	1
AC18177-7	QUAD CHARGER LI-ION Q3/4 JAPAN	1
CC16614-G1	12VDC MOBILE MOUNT DC/DC LI ION	1
CC16614-G2	9VDC-30VDC MOBILE MOUNT DC/DC LI ION	1
CC16614-G3	30VDC-60VDC MOBILE MOUNT DC/DC LI ION	1
CC16614-G4	ASSY RCLI CHARGER 100-240VAC	1
DA16803-1	SOFT CASE	1
AN16753-029	TEST SWATCH KIT	1

QL 220 & 220 PLUS REPLACEMENT KITS

ITEM	PART #	DESCRIPTION
1	AN16972-001	PRINTER FRAME KIT
2	AN16972-002	BI-POLAR MOTOR KIT
3	AN16972-004	LATCH ASSY KIT
4	AN16972-005	MEDIA DISK SUPPORT KIT
5	AN16972-006	PEELER SHAFT/ROLLER KIT
6	RK18467-001	KIT RPR QL2 MEDIA GUIDE W/BELT
	RK18467-002	KIT QL2 MEDIA GUIDE LINERLESS W/BELT
	AN16972-023	KIT REPAIR QL2 MEDIA GUIDE ASSY W/MEDIA WIDTH SENSOR
	AN16972-007	KIT REPAIR QL2 MEDIA GUIDE PLATE
7	AN16972-008	PLATEN/GEAR LINERED KIT
8	AN16972-009	PLATEN/GEAR LINERLESS KIT
9	RK18236-1	KIT REPAIR QL2 MEDIA COVER ASSY (QL 220)
	RK17735-015	KIT REPAIR QL2+ MEDIA COVER ASSY
10	AN16972-011	KEYPAD DISPLAY KIT
11	RK17735-031	KIT REPAIR Q2 COST REDUCED LCD KEYPAD
12	AN16972-012	MEMBRANE KEYPAD KIT
13	AN16972-013	KIT REPAIR QL2 MLB 1M (QL 220)
	RK18259-1	KIT REPAIR QL2 MLB 2M (QL 220)
	RK17735-017	KIT REPAIR QL2+ MLB 8M/4M (QL 220 PLUS)
	RK17735-029	KIT REPAIR QL2 COST REDUCED MLB 16M/8MB
14	AN16744-1	KIT QL KICKSTAND/BELT CLIP
15	RK18237-1	ASSY MODULE BLUETOOTH QL 220 1.2 (B/C)
	RK17735-021	KIT REPAIR QL2+ BLTH MDL 1.2 (B/C)
	RK18879-001	KIT REPAIR QL2+ BLTH MDL 2.0 (D)
	RK18238-1	ASSY MOD QL 220 802.11B "N" (EU COUNTRIES)
	RK18239-1	ASSY MOD QL 220 802.11B "M" (NORTH AMERICA ONLY)
	RK17735-022	KIT REPAIR 802.11B QL 220 PLUS "N" (EU COUNTRIES)
	RK17735-023	KIT REPAIR 802.11B "M" MODULE QL 220 PLUS (N.A. ONLY)
	RK17735-024	KIT REPAIR QL 220 PLUS 802.11B "F" MODULE
	RK17735-026	KIT REPAIR QL 220 PLUS 802.11G "K" MODULE
	RK17735-025	KIT REPAIR QL2+ IRDA MDL
	AN16972-019	KIT REPAIR QL2 UPPER HOUSING (QL 220)
	RK17735-027	KIT REPAIR QL2+ UPPER HOUSING (QL 220 PLUS)
16	RK18278-1	KIT REPAIR QL2 PRINthead ASSY (QL 220)
	RK17735-016	KIT REPAIR PRINthead ASSY, QL 220 PLUS
17	AN16753-010	KIT REPAIR QL CORNER ATTACH
18	AN16972-022	KICKSTAND, QTY OF 10
19	AN16972-021	DOOR CONNECTOR KIT, QTY OF 15
20	AT16004-1	BATTERY PACK LITHIUM ION QL2/3
	AN16861-005	BELT CLIP, QTY OF 20 QL SERIES

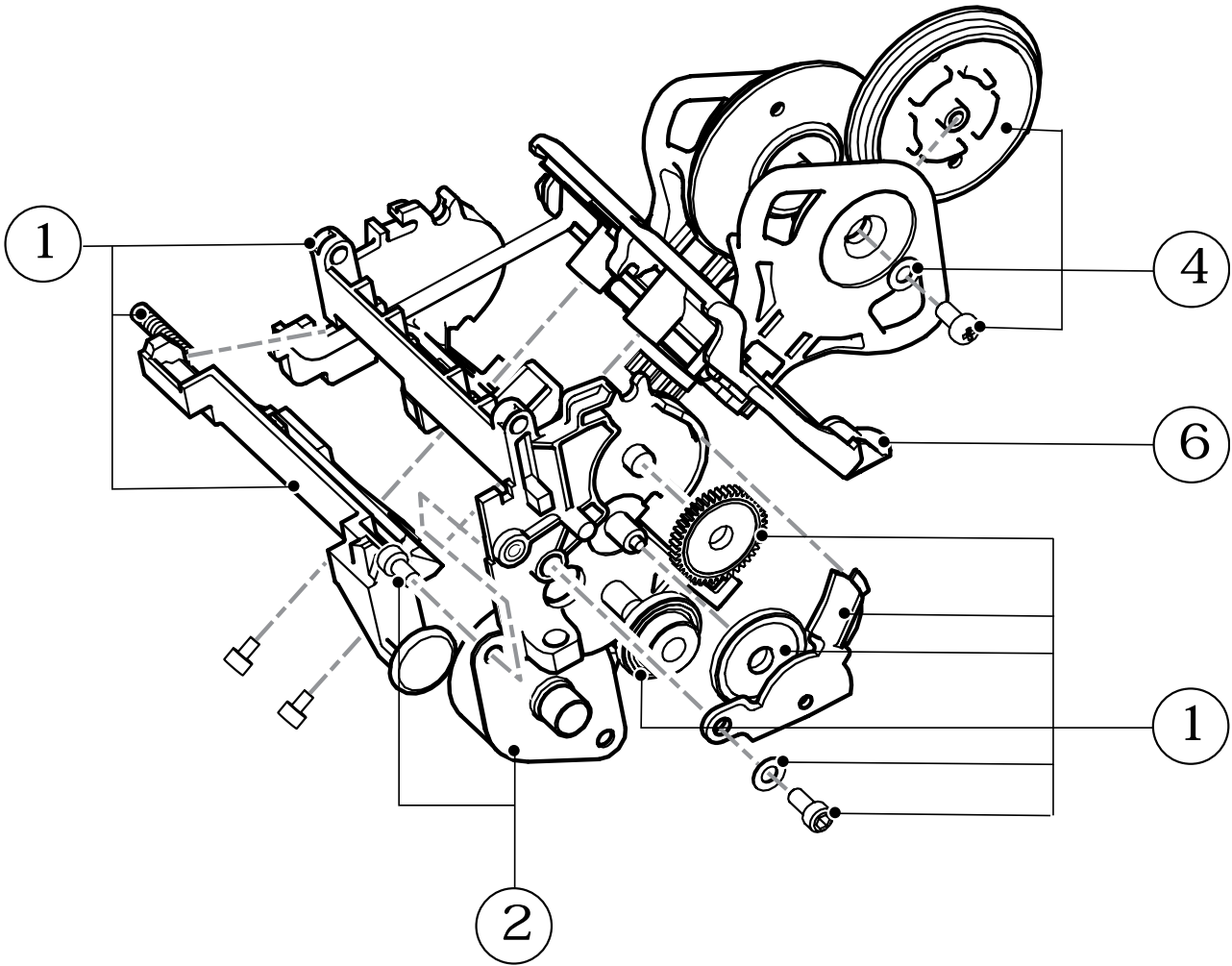
continued

QL 220 & 220 PLUS REPLACEMENT KITS

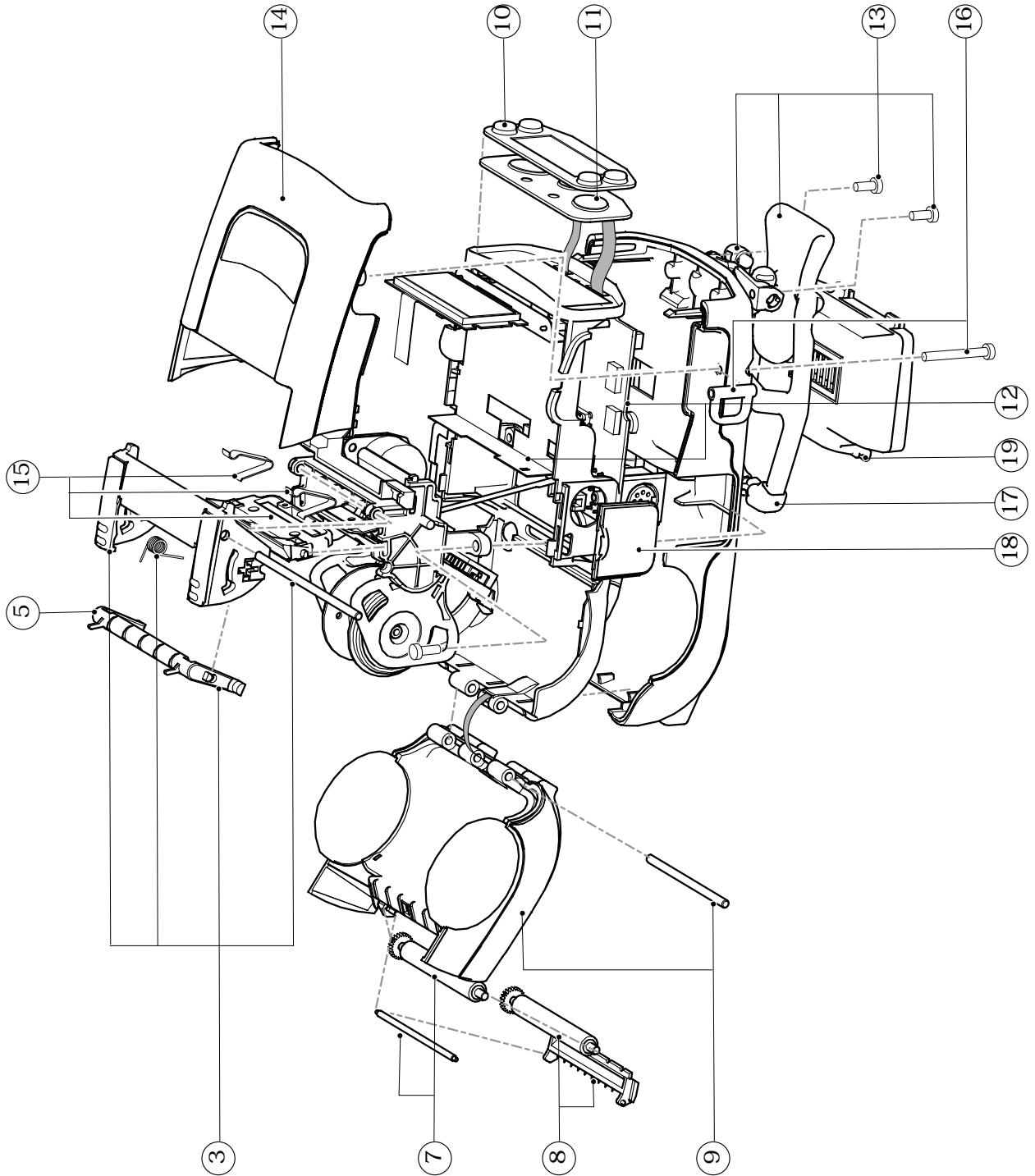
ITEM	PART #	DESCRIPTION
	AN16861-006	HAND STRAP, QTY OF 25 QL SERIES
	AN16793-030	SELF TAP SCREW, QTY OF 20
	AN17006-035	CARRYING STRAP, QTY OF 25
	AN17006-037	HEAD SOCKET SCREW, QTY OF 100
	AN16972-003	SOCKET HEAD SCREW, QTY OF 100
	AN16861-031	MEDIA DISK SUPPORT, QTY OF 20
	AN16861-032	FLAT WASHER, QTY OF 100
	AN16861-033	SELF TAP SCREW, QTY OF 20
	RK18482-1	KIT REPAIR PLATEN GEAR 64P 24T

Note: Shaded items are not illustrated.

**QL 220 & 220 PLUS PARTS
PRINTER MECHANISM EXPLODED VIEW**



QL 220 & 220 PLUS PARTS- UNIT EXPLODED VIEW



QL 320 & 320 PLUS PRODUCT CONFIGURATION CODE (PCC)

1	2	3	4	5	6	7	8	9	10	11	12	13	14	15	
Q	3	-	-	-	-	-	-	-	0	-	-	-	-	-	QL 320/320 Plus Printer
SRAM/FLASH															
-	-	A	-	-	-	-	-	-	0	-	-	-	-	-	1M/1M
-	-	B	-	-	-	-	-	-	0	-	-	-	-	-	2M/2M
-	-	C	-	-	-	-	-	-	0	-	-	-	-	-	8M/4M (QL 320 Plus)
-	-	D	-	-	-	-	-	-	0	-	-	-	-	-	16M/8M (QL 320 Plus)
KEYPAD/DISPLAY															
-	-	-	L	-	-	-	-	-	0	-	-	-	-	-	LCD
-	-	-	M	-	-	-	-	-	0	-	-	-	-	-	Membrane
CHARACTER SET															
-	-	-	-	U	-	-	-	-	0	-	-	-	-	-	US/Candian English/Latin 1 & 5 (Including Turkish)
-	-	-	-	D	-	-	-	-	0	-	-	-	-	-	Chinese 16 x 16
-	-	-	-	F	-	-	-	-	0	-	-	-	-	-	Japanese 16 x 16
-	-	-	-	G	-	-	-	-	0	-	-	-	-	-	Japanese 24 x 24
-	-	-	-	H	-	-	-	-	0	-	-	-	-	-	Chinese 16 x 16 (simplified)
-	-	-	-	I	-	-	-	-	0	-	-	-	-	-	Chinese 24 x 24 (simplified)
COMMUNICATION-WIRELESS/SRRF															
-	-	-	-	1	-	-	-	-	0	-	-	-	-	-	None(cable communications only)
-	-	-	-	2	-	-	-	-	0	-	-	-	-	-	IrDA
-	-	-	-	3	-	-	-	-	0	-	-	-	-	-	916 MHz SRRF ¹
-	-	-	-	4	-	-	-	-	0	-	-	-	-	-	2.4 GHz SRRF ¹
-	-	-	-	B	-	-	-	-	0	-	-	-	-	-	Bluetooth™
-	-	-	-	C	-	-	-	-	0	-	-	-	-	-	WLAN 802.11b (Cisco PCMCIA) Domestic
-	-	-	-	D	-	-	-	-	0	-	-	-	-	-	WLAN 802.11b (Cisco PCMCIA) Worldwide ²
-	-	-	-	E	-	-	-	-	0	-	-	-	-	-	WLAN 802.11b (Symbol FHSS) ¹
-	-	-	-	F	-	-	-	-	0	-	-	-	-	-	WLAN 802.11b (Zebra Value Radio)
-	-	-	-	M	-	-	-	-	0	-	-	-	-	-	WLAN 802.11b (Compact Flash) Domestic
-	-	-	-	N	-	-	-	-	0	-	-	-	-	-	WLAN 802.11b (Compact Flash) Worldwide ²
MEDIA HANDLING															
-	-	-	-	A	-	-	-	-	0	-	-	-	-	-	Direct Thermal/Linered Platen
-	-	-	-	B	-	-	-	-	0	-	-	-	-	-	Direct Thermal/Linereless Platen
-	-	-	-	C	-	-	-	-	0	-	-	-	-	-	Direct Thermal/Linered Platen/Label Present Sensor
-	-	-	-	D	-	-	-	-	0	-	-	-	-	-	Direct Thermal/Linereless Platen/Label Present Sensor
COUNTRY CODE															
-	-	-	-	-	-	-	-	0	0	-	-	-	-	-	Group "O" (North America, Australia,NewZealand)
-	-	-	-	-	-	-	-	L	0	-	-	-	-	-	Group "L" (Brazil, Argentina)
-	-	-	-	-	-	-	-	E	0	-	-	-	-	-	Group "E" (EU/EFTA)
-	-	-	-	-	-	-	-	A	0	-	-	-	-	-	Group "A" (Japan, Taiwan, Korea)
-	-	-	-	-	-	-	-	B	0	-	-	-	-	-	Group "B" (China, Singapore, Thailand, Phillipines)
HARDWARE OPTIONS															
-	-	-	-	-	-	-	-	-	0	0	-	-	-	-	Belt Clip (Standard)
-	-	-	-	-	-	-	-	-	0	1	-	-	-	-	Shoulder Strap
-	-	-	-	-	-	-	-	-	0	2	-	-	-	-	Hand Strap
-	-	-	-	-	-	-	-	-	0	3	-	-	-	-	Stand
-	-	-	-	-	-	-	-	-	0	4	-	-	-	-	No Options/No Belt Clip
OTHER OPTIONS															
-	-	-	-	-	-	-	-	-	0	0	-	-	-	-	None
-	-	-	-	-	-	-	-	-	0	1	-	-	-	-	Media Width Sensing
CUSTOMER SPECIFIC OPTIONS															
-	-	-	-	-	-	-	-	-	0	-	-	0	0	-	Refer to Specific PCC level BOM



PCC Notes • 1. "3" & "4" wireless options are not available for any configurations created after 10/02. The "E" wireless option is not available for any QL 320 configurations created after 10/05 and not available for any QL 320 Plus configurations. Spares support for older configurations will be continued.

2. Worldwide WLAN option requires a special .cfg file to be loaded in memory for compliance with international regulations.

Interpreting the PCC Code

Each QL 320 Mobile Printer has a Product Configuration Code (PCC) label on the bottom of the unit. Use this chart to determine the features installed on your printer, then use the Illustrated Parts List and cross reference tables on the following pages to determine which replacement kits must be ordered.

Repair kits identified for use with QL 320 Plus models are not interchangeable with similar QL 320 kits. Kits identified for use with QL 320 models are not interchangeable with similar QL 320 Plus kits. Repair kits not specifically identified for use with either QL 320 or QL 320 Plus can be used on both models.

PCC Example:

PCC number Q3D-LUBA0010-00 results in a QL 320 Plus with the following:

- CPU Board with 8M each of SRAM and Flash Memory;
- LCD display;
- US/Candian English/Latin 1 & 5 fonts;
- Bluetooth™ SRRF QuickLink module;
- Standard (lined media) platen;
- Certified for use in North America, Australia and New Zealand
- Shoulder Strap.

Accessory Parts (not illustrated)

PART NUMBER	DESCRIPTION	QTY
AN11209-1	KIT COMPL CLEANING PENS 12-PK	1
BT11132-1	SHOULDER STRAP	1
BT16899-1	STRAP HAND CARRY 8.0 W/ SNAPS	1
BT14029-3	STRAP CARRYING 8.0 (NO RINGS)	1
AT17696-1	FAST CHARGER, U.S. AND JAPAN	1
AT17696-2	FAST CHARGER, UK	1
AT17696-3	FAST CHARGER, EUROPE	1
AT17696-4	FAST CHARGER, AUSTRALIA	1
AT16305-4	QUAD CHARGER LI-ION (US)	1
AC18177-1	QUAD CHARGER LI-ION QL3/4 UK	1
AC18177-2	QUAD CHARGER LI-ION QL3/4 EURO	1
AC18177-3	QUAD CHARGER LI-ION QL3/4 AUST	1
AC18177-7	QUAD CHARGER LI-ION Q3/4 JAPAN	1
CC16614-G1	12VDC MOBILE MOUNT DC/DC LI ION	1
CC16614-G2	9VDC-30VDC MOBILE MOUNT DC/DC LI ION	1
CC16614-G3	30VDC-60VDC MOBILE MOUNT DC/DC LI ION	1
CC16614-G4	ASSY RCLI CHARGER 100-240VAC	1
DA16307-1	SOFT CASE	1
AN16753-029	TEST SWATCH KIT	1

QL 320 & 320 PLUS REPLACEMENT KITS

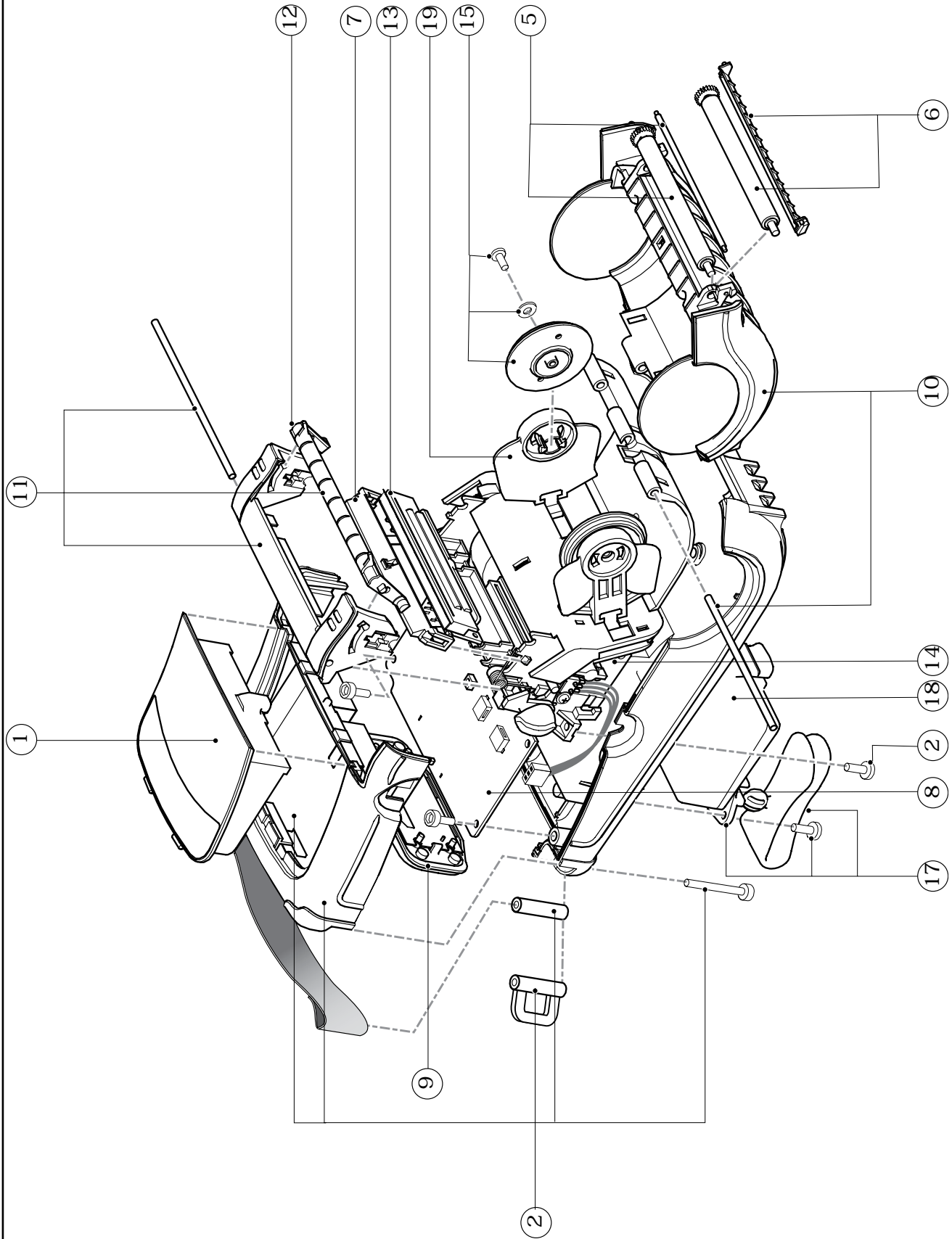
ITEM	PART #	DESCRIPTION
1	RK18465-004	KIT RPR QL3+ HSG WIRELESS MDL
	RK18465-005	KIT RPR QL3+ 802.11G "K"
	AN16861-009	ASSY MODULE IRDA QL3/4 (QL 320)
	RK17735-018	KIT REPAIR IRDA MODULE QL3/4 PLUS
	RK18229-1	ASSY MODULE BLUETOOTH RADIO QL3/4 (QL 320) 1.2 (B/C)
	RK17735-005	KIT REPAIR BLUETOOTH MODULE QL 320 PLUS 1.2 (B/C)
	RK18879-002	KIT REPAIR BLUETOOTH MODULE QL 320 PLUS 2.0 (D)
	RK18230-1	KIT RPR QL3/4 802.11B(CF) "N" (EU COUNTRIES)
	AN16861-007	KIT REPAIR QL3 916MHZ SRRF (QL 320)
	AN16861-008	KIT REPAIR QL3 2.4GHZ SRRF (QL 320)
	AK18182-1	ASSY MOD QL3/4 802.11B "M" (N. AMERICA) QL 320
	RK17735-006	KIT REPAIR MOD CF 802.11B "N" (EU COUNTRIES) QL3/4 PLUS
	RK17735-007	KIT REPAIR MOD CF 802.11B "M" (N. AMERICA) QL3/4 PLUS
	RK17735-008	KIT REPAIR MOD CF 802.11B QL3/4 PLUS (DPAC)
2	RK18233-1	KIT REPAIR QL3 UPPER HOUSING (QL 320)
3	AN16861-011	2.4GHZ WLAN ANTENNA KIT
4	AN16652-1	ASSY PCMCIA 802.11B QL3/4 (QL 320)
5	AN16861-013	PLATEN/GEAR ASSY KIT (FOR UNITS BUILT AFTER 1/20/03)
6	AN16861-014	PLATEN/GEAR ASSY KIT, LINERLESS (FOR UNITS BUILT AFTER 1/20/03)
7	AN16861-015	KIT REPAIR QL3 LBL PRES SNSR (QL 320)
8	AN16861-018	KIT REPAIR QL3 MLB 1M (QL 320)
	RK18234-1	KIT REPAIR QL3 MLB 2M (FOR QL 320 BUILT AFTER 1/20/03)
	RK18465-002	KIT RPR QL3+ MLB 8M/4M
	RK18465-006	KIT RPR QL3 COST REDUCED MLB 16M/8MB
9	RK18235-1	KIT REPAIR QL 3/4 LCD KEYPAD KIT, QL 320/420
	RK17735-032	KIT REPAIR QL 3/4 COST REDUCED LCD KEYPAD
	AN16861-021	KEYPAD KIT, QL 320/420
10	AN16861-023	MEDIA COVER ASSY KIT (FOR QL 320 BUILT PRIOR TO 1/20/03) ¹
	AN16861-024	MEDIA COVER ASSY KIT (FOR QL 320 BUILT AFTER 1/20/03)
	RK18465-001	KIT REPAIR QL3+ MEDIA COVER
11	AN16861-025	LATCH ASSY KIT
12	AN16861-026	PEELER SHAFT/ROLLER KIT
13	RK18277-1	KIT REPAIR QL3 PRINTHEAD ASSY
	RK18465-003	KIT RPR QL3+ PRINTHEAD W/SENSOR
14	AN16861-029	PRINTER FRAME KIT (UNITS BUILT AFTER 10/2002)
15	AN16861-030	MEDIA DISK SUPPORT KIT
	AN 16753-026	MEDIA DISK SUPPORT LINERLESS KIT
16	RK18251-1	BI-POLAR MOTOR KIT
17	AN16744-1	KIT QL KICKSTAND/BELT CLIP

QL 320 & 320 PLUS REPLACEMENT KITS

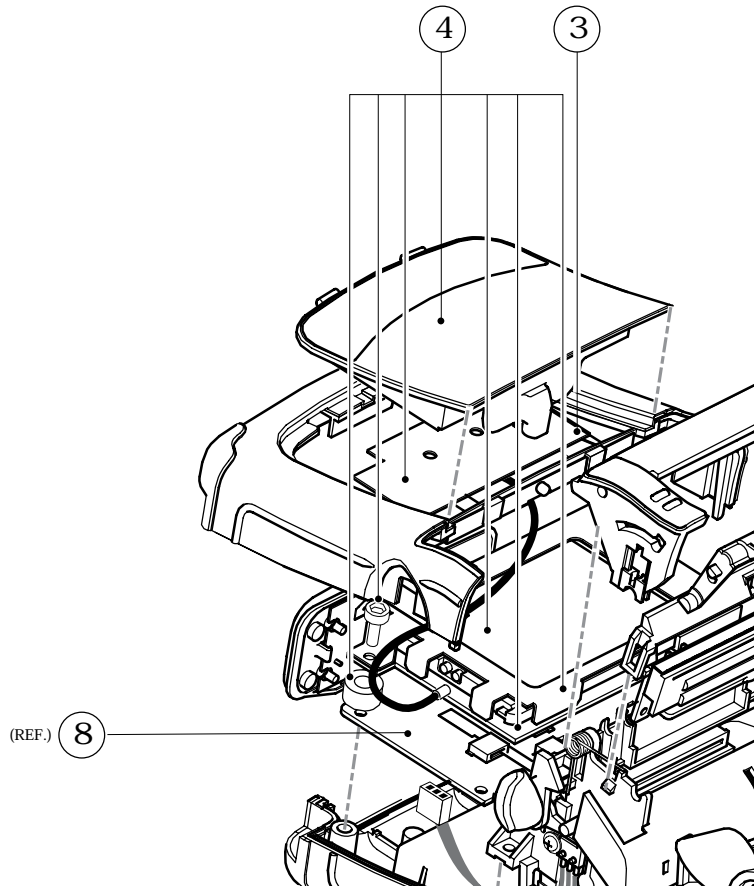
ITEM	PART #	DESCRIPTION
18	AT16004-1	BATTERY PACK LITHIUM ION QL2/3
19	RK16823-043	KIT RPR QL 320 MEDIA GUIDE/MW
	RK18460-1	KIT RPR QL3 MEDIA GUIDE W/BELT
	RK18461-1	KIT QL3 MEDIA GUIDE LNL W/BELT
	RK18462-1	KIT QL3 MEDIA GUIDE MW W/BELT
	RK18463-1	KIT QL3 MEDIA GUIDE LNL MW BELT
	AN16753-010	KIT REPAIR QL CORNER ATTACH
	AN16972-003	SOCKET HEAD SCREW, QTY OF 100
	AN16793-030	SELF TAP SCREW, QTY OF 20
	AN16861-004	NYLON WASHER, QTY OF 100
	AN16972-022	KICKSTAND, QTY OF 10
	AN16861-005	BELT CLIP, QTY OF 20 QL SERIES
	AN16861-006	HAND STRAP, QTY OF 25 QL SERIES
	AN16861-031	MEDIA DISK SUPPORT, QTY OF 20
	AN16861-032	FLAT WASHER, QTY OF 100
	AN16861-033	SELF TAP SCREW, QTY OF 20
	AN17006-035	CARRYING STRAP, QTY OF 25
	AN17006-037	SOCKET HEAD SCREW, QTY OF 100
	AN17006-038	SOCKET HEAD SCREW, QTY OF 20
	RK18482-1	KIT REPAIR PLATEN GEAR 64P 24T

Note: Shaded items are not illustrated.

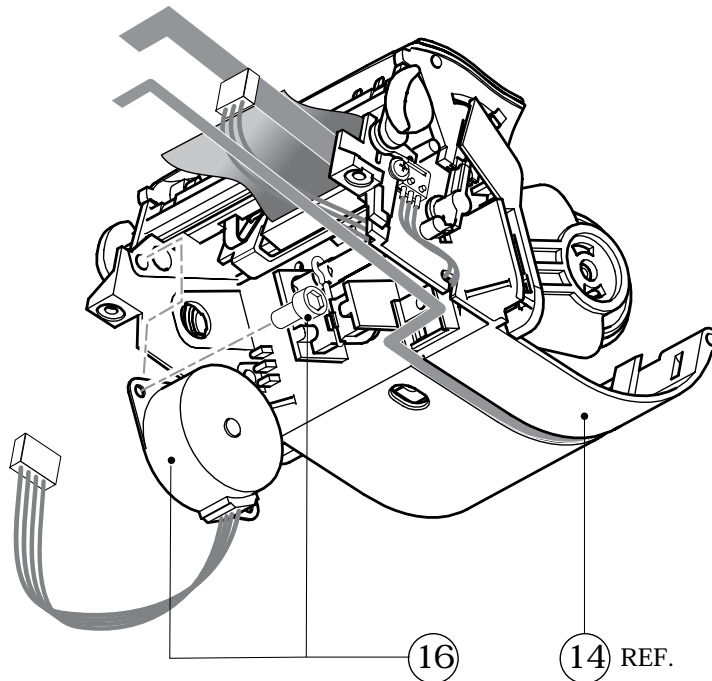
QL 320 & 320 PLUS REPLACEMENT KITS UNIT EXPLODED VIEW



QL 320 & 320 PLUS REPLACEMENT KITS PCMCIA RADIO OPTIONS



QL 320 & 320 PLUS REPLACEMENT KITS PRINTER MECHANISM



QL 420 & 420 PLUS PRODUCT CONFIGURATION CODE (PCC)

1	2	3	4	5	6	7	8	9	10	11	12	13	14	15	
Q	4	-	-	-	-	-	-	-	0	-	-	-	-	-	QL 420/ 420 Plus Printer
SRAM/FLASH															
-	-	A	-	-	-	-	-	-	0	-	-	-	-	-	1M/1M
-	-	B	-	-	-	-	-	-	0	-	-	-	-	-	2M/2M
-	-	C	-	-	-	-	-	-	0	-	-	-	-	-	8M/4M (QL 420 Plus)
-	-	D	-	-	-	-	-	-	0	-	-	-	-	-	16M/8M (QL 420 Plus)
KEYPAD/DISPLAY															
-	-	-	-	L	-	-	-	-	0	-	-	-	-	-	LCD
-	-	-	-	M	-	-	-	-	0	-	-	-	-	-	Membrane
CHARACTER SET															
-	-	-	-	U	-	-	-	-	0	-	-	-	-	-	US/Canadian English/Latin 1 & 5 (Including Turkish)
-	-	-	-	D	-	-	-	-	0	-	-	-	-	-	Chinese 16 x 16
-	-	-	-	F	-	-	-	-	0	-	-	-	-	-	Japanese 16 x 16
-	-	-	-	G	-	-	-	-	0	-	-	-	-	-	Japanese 24 x 24
-	-	-	-	H	-	-	-	-	0	-	-	-	-	-	Chinese 16 x 16 (simplified)
-	-	-	-	I	-	-	-	-	0	-	-	-	-	-	Chinese 24 x 24 (simplified)
-	-	-	-	j	-	-	-	-	0	-	-	-	-	-	Korean (Mincho)
COMMUNICATION-WIRELESS/SRRF															
-	-	-	-	1	-	-	-	-	0	-	-	-	-	-	None (communications via cable only)
-	-	-	-	2	-	-	-	-	0	-	-	-	-	-	IrDA
-	-	-	-	B	-	-	-	-	0	-	-	-	-	-	Bluetooth™
-	-	-	-	C	-	-	-	-	0	-	-	-	-	-	WLAN 802.11b (Cisco PCMCIA) Domestic
-	-	-	-	D	-	-	-	-	0	-	-	-	-	-	WLAN 802.11b (Cisco PCMCIA) Worldwide ¹
-	-	-	-	F	-	-	-	-	0	-	-	-	-	-	WLAN 802.11b (Zebra Value Radio)
-	-	-	-	H	-	-	-	-	0	-	-	-	-	-	WLAN 802.11b/Bluetooth (Combo)
-	-	-	-	M	-	-	-	-	0	-	-	-	-	-	WLAN 802.11b (Compact Flash) Domestic
-	-	-	-	N	-	-	-	-	0	-	-	-	-	-	WLAN 802.11b (Compact Flash) Worldwide ²
MEDIA HANDLING															
-	-	-	-	A	-	-	-	-	0	-	-	-	-	-	Direct Thermal/Linered Platen
-	-	-	-	B	-	-	-	-	0	-	-	-	-	-	Direct Thermal/Linereless Platen
-	-	-	-	C	-	-	-	-	0	-	-	-	-	-	Direct Thermal/Linered Platen/Label Present Sensor
-	-	-	-	D	-	-	-	-	0	-	-	-	-	-	Direct Thermal/Linereless Platen/Label Present Sensor
COUNTRY CODE															
-	-	-	-	-	-	-	-	0	0	-	-	-	-	-	Group "O" (North America, Australia, New Zealand)
-	-	-	-	-	-	-	-	L	0	-	-	-	-	-	Group "L" (Brazil, Argentina)
-	-	-	-	-	-	-	-	E	0	-	-	-	-	-	Group "E" (EU/EFTA)
-	-	-	-	-	-	-	-	A	0	-	-	-	-	-	Group "A" (Japan, Taiwan, Korea)
-	-	-	-	-	-	-	-	B	0	-	-	-	-	-	Group "B" (China, Singapore, Thailand, Phillipines)
HARDWARE OPTIONS															
-	-	-	-	-	-	-	-	-	0	0	-	-	-	-	Belt Clip (Standard)
-	-	-	-	-	-	-	-	-	0	1	-	-	-	-	Shoulder Strap
-	-	-	-	-	-	-	-	-	0	2	-	-	-	-	Hand Strap
-	-	-	-	-	-	-	-	-	0	3	-	-	-	-	Stand
-	-	-	-	-	-	-	-	-	0	4	-	-	-	-	No Options/No Belt Clip
OTHER OPTIONS															
-	-	-	-	-	-	-	-	-	0	0	-	-	-	-	None
-	-	-	-	-	-	-	-	-	0	1	-	-	-	-	Media Width Sensing
CUSTOMER SPECIFIC OPTIONS															
-	-	-	-	-	-	-	-	-	0	-	-	0	0	-	Refer to Specific PCC level BOM



PCC Notes • 1. The "E" wireless option is not available for any QL 420 configurations created after 10/05 and not available for any QL 420 Plus configurations. Spares support for older configurations will be continued.

2. Worldwide WLAN option requires a special .cfg file to be loaded in memory for compliance with international regulations.

Interpreting the PCC Code

Each QL 420 Mobile Printer has a Product Configuration Code (PCC) label on the bottom of the unit. Use this chart to determine the features installed on your printer, then use the Illustrated Parts List and cross reference tables on the following pages to determine which replacement kits must be ordered.

Repair kits identified for use with QL 420 Plus models are not interchangeable with similar QL 420 kits. Kits identified for use with QL 420 models are not interchangeable with similar QL 420 Plus kits. Repair kits not specifically identified for use with either QL 420 or QL 420 Plus can be used on both models.

PCC Example:

PCC number Q4D-LUBA0010-00 results in a QL 420 Plus with the following:

- CPU Board with 8M each of SRAM and Flash Memory;
- LCD display;
- US/Canadian English/Latin 1 & 5 fonts;
- Bluetooth™ SRRF QuickLink module;
- Standard (lined media) platen;
- Certified for use in North America, Australia and New Zealand
- Shoulder Strap.
- No Media Width Sensing option

Parts Not Illustrated

PART NUMBER	DESCRIPTION	QTY
AN11209-1	KIT COMPL CLEANING PENS 12-PK	1
BT11132-1	SHOULDER STRAP	1
BT16899-1	STRAP HAND CARRY 8.0 W/ SNAPS	1
BT14029-3	STRAP CARRYING 8.0 (NO RINGS)	1
AT17696-1	FAST CHARGER, U.S. AND JAPAN	1
AT17696-2	FAST CHARGER, UK	1
AT17696-3	FAST CHARGER, EUROPE	1
AT17696-4	FAST CHARGER, AUSTRALIA	1
AT16305-4	QUAD CHARGER LI-ION (US)	1
AC18177-1	QUAD CHARGER LI-ION QL3/4 UK	1
AC18177-2	QUAD CHARGER LI-ION QL3/4 EURO	1
AC18177-3	QUAD CHARGER LI-ION QL3/4 AUST	1
AC18177-7	QUAD CHARGER LI-ION Q3/4 JAPAN	1
CC16614-G1	12VDC MOBILE MOUNT DC/DC LI ION	1
CC16614-G2	9VDC-30VDC MOBILE MOUNT DC/DC LI ION	1
CC16614-G3	30VDC-60VDC MOBILE MOUNT DC/DC LI ION	1
CC16614-G4	ASSY RCLI CHARGER 100-240VAC	1
DA16473-2	SOFT CASE	1
AN16753-029	TEST SWATCH KIT	1

QL 420 & 420 PLUS REPLACEMENT KITS

ITEM	PART #	DESCRIPTION
1	RK18229-1	ASSY MODULE BLTH RADIO QL3/4 (QL 420) 1.2 (B/C)
	RK17735-005	KIT REPAIR MODULE BLUETOOTH QL 3/4 PLUS 1.2 (B/C)
	RK18879-002	KIT REPAIR MODULE BLUETOOTH QL 3/4 PLUS 2.0 (D)
	RK18230-1	ASSY MOD CF 802.11B ENDCAP ANT "N" (EU COUNTRIES) (QL 420)
	RK17735-006	KIT REPAIR MODULE CF 802.11B "N" (EU COUNTRIES) QL3/4 PLUS
	RK17735-007	KIT REPAIR MODULE CF 802.11B "M" (N. AMERICA)QL3/4 PLUS (M)
	AK18182-1	ASSY MOD QL 3/4 802.11B "M" (N. AMERICA) QL 420
	RK17735-008	KIT REPAIR MODULE CF 802.11B QL 3/4PLUS(DPAC)
	AN16861-009	ASSY MODULE IRDA QL3/4 (QL 420)
	RK17735-018	KIT REPAIR IRDA MODULE QL 3/4 PLUS
	AN16753-008	KIT RPR QL4 HSG WIRELESS MDL (QL 420)
	RK17735-019	KIT REPAIR MODULE COVER QL 420 PLUS
	RK17735-020	KIT REPAIR MODULE CF 802.11G QL 420 PLUS
	2	RK18251-1
3	AN16753-007	UPPER HOUSING (W/ BOARD COVER)
4	AN16753-011	LATCH ASSEMBLY
5	AN16753-024	PEELER SHAFT/ROLLER KIT
6	RK18252-1	KIT REPAIR QL4 PRINTHD/SENSOR
	RK17735-004	KIT REPAIR PRINthead ASSEMBLY QL 420 PLUS
7	RK18466-001	KIT REPAIR QL4 MEDIA GUIDE W/BELT
	RK18466-002	KIT REPAIR QL4 MEDIA GUIDE LINERLESS W/BELT
	RK18466-003	KIT REPAIR QL4 MEDIA GUIDE MEDIA WIDTH W/BELT
	RK18466-004	KIT REPAIR QL4 MEDIA GUIDE MEDIA WIDTH LINERLESS W/BELT
	AN16753-001	KIT REPAIR QL4 MEDIA ASSY
8	AN16753-002	DISK, MEDIA SUPPORT (SET OF 5)
	AN16753-026	LINERLESS DISK, MEDIA SUPPORT (SET OF 5)
9	AN16753-021	KIT REPAIR QL4 PLATEN/RLR LNRD
	AN16753-022	KIT RPR QL4 PLATEN/ROLLER LNLS
10	AN16753-003	MEDIA GUIDE ROLLER, LINERED
	AN16753-004	MEDIA GUIDE ROLLER, LINERLESS
11	RK18231-1	KIT REPAIR QL4 MEDIA COVER
	RK17735-001	KIT REPAIR MEDIA COVER ASSEMBLY QL 420 PLUS
12	AN16753-012	PRINT FRAME ASSEMBLY
13	AT16293-1	BATTERY PACK LITHIUM-ION QL 420 (ALL MODELS)
14	AN16753-020	DOOR CONNECTOR
15	AN16744-1	KIT QL KICKSTAND/BELT CLIP
16	AN16753-016	KIT REPAIR QL4 MLB 1M/1M (QL 420)
	RK17735-002	KIT REPAIR MLB 8M/4M QL 420 PLUS
	RK17735-029	KIT REPAIR QL2 COST REDUCED MLB 16MB/8M
	RK18228-1	KIT REPAIR QL4 MLB 2M/2M (QL 420)

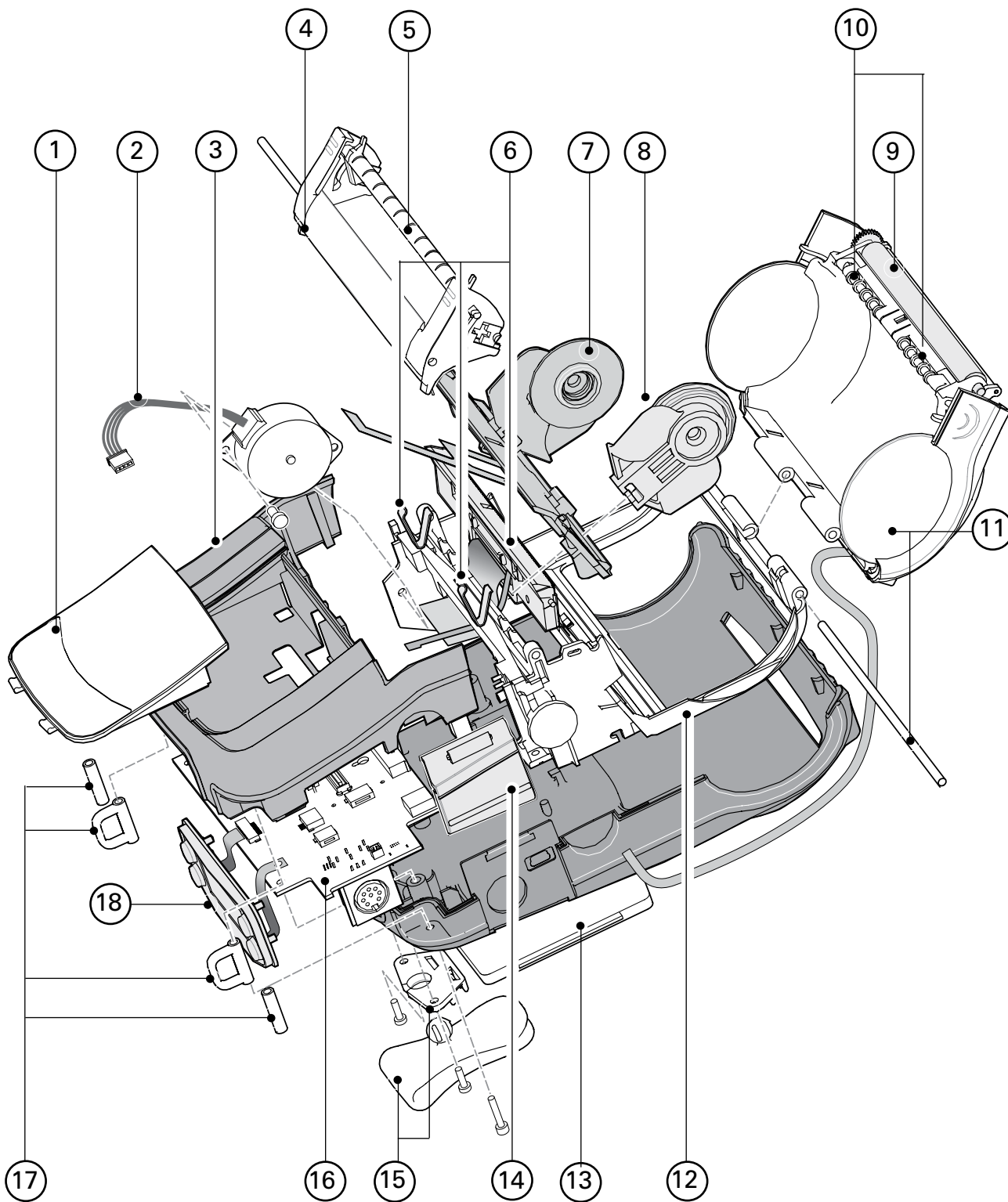
continued

QL 420 & 420 PLUS REPLACEMENT KITS

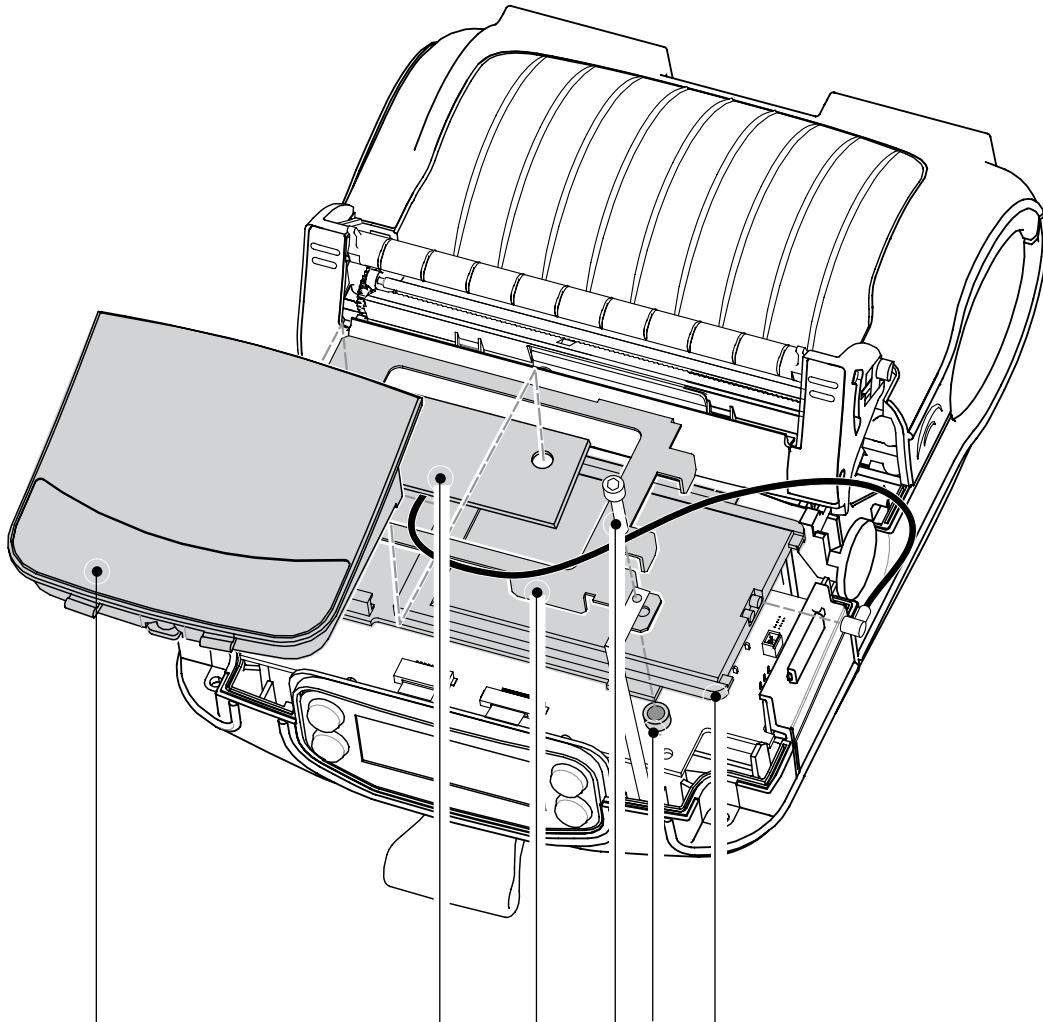
ITEM	PART #	DESCRIPTION
17	AN16753-010	CORNER ATTACHMENT KIT QL4
18	RK18235-1	KIT REPAIR QL 3/4 LCD KEYPAD KIT, QL 320/420
	RK17735-032	KIT REPAIR QL 3/4 COST REDUCED LCD KEYPAD
	AN16861-021	KEYPAD KIT, QL 320/420
19	AN16652-1	ASSY PCMCIA 802.11B, QL3/4
	AN16861-004	NYLON WASHER, QTY OF 100
	AN16861-031	MEDIA DISK SUPPORT, QTY OF 10
	AN16861-032	FLAT WASHER, QTY OF 100
	AN16861-033	SELF TAP SCREW, M3X6, QTY OF 20
	AN16972-022	KICKSTAND, QTY OF 10
	AN17006-037	SOCKET HEAD SCREW, 4-40 X 1/2, QTY OF 100
	AN17006-038	SOCKET HEAD SCREW, 4-40 X 1/4, QTY OF 20
	AN17006-044	SPRING, .020 DIA X .500 LG, QTY OF 10
	AN16793-030	SELF TAP SCREW, M3X10, QTY OF 20
	AN16861-005	BELT CLIP, QTY OF 20
	AN16861-006	HAND STRAP, QTY OF 25

Note: Shaded items are not illustrated.

QL 420 & 420 PLUS REPLACEMENT KITS UNIT EXPLODED VIEW



QL 420 & 420 PLUS REPLACEMENT KITS PCMCIA OPTION



19

