

8+

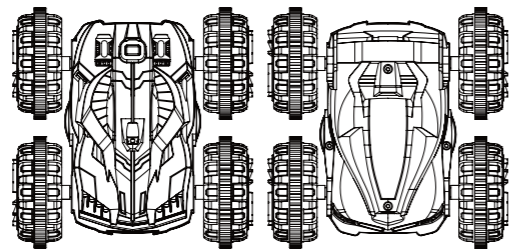


### Instruction Manual

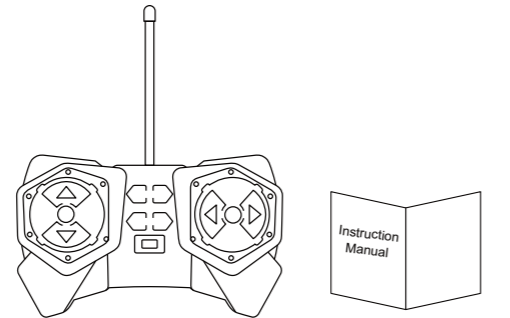
Thank you for purchasing the Amphibious RC Car. This manual provides more information about this RC Car, please read the instructions before using.



### Product Overview



Amphibious RC Car



Remote Control

Instruction Manual

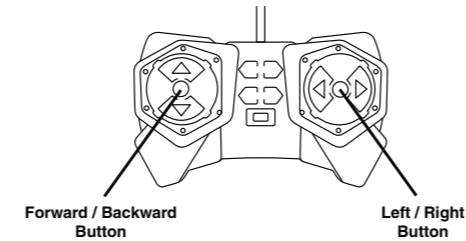
### Package Contents

- Amphibious RC Car x 1
- Remote Control x 1
- Instruction Manual x 1

### Specifications

Amphibious RC Car:  
 Power supply: 4 x "AA" 1.5V Batteries (alkaline type preferred, not included)  
 Remote:  
 Power supply: 3 x "AAA" 1.5V Batteries (alkaline type preferred, not included)  
 Frequency: 40.68 MHz

### Remote

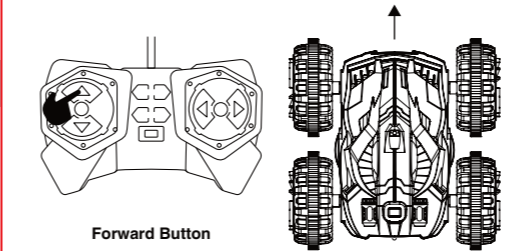


Forward / Backward Button

Left / Right Button

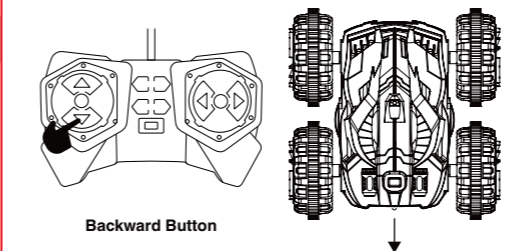
### Standard Control

Note: To avoid losing control, always pay attention when controlling the RC Car.



Forward Button

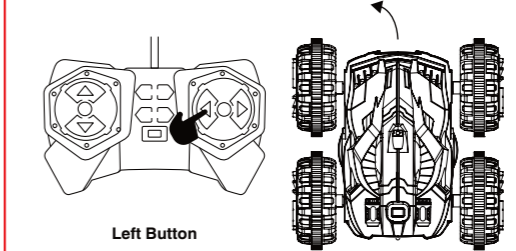
Control Amphibious RC Car to move forward



Backward Button

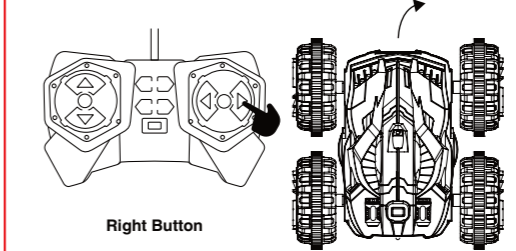
Control Amphibious RC Car to move backward

### Standard Control



Left Button

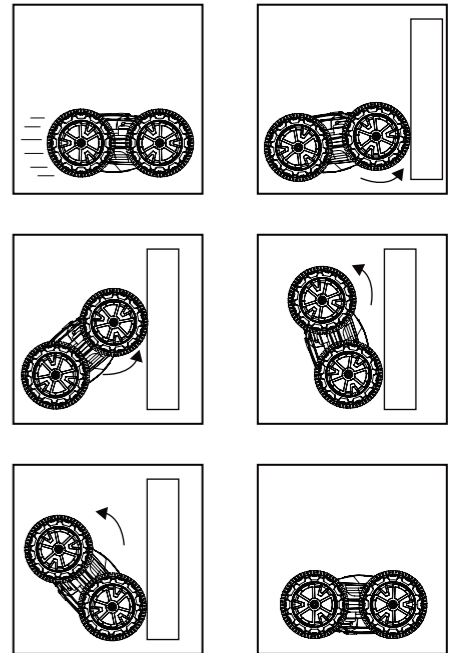
Control Amphibious RC Car to turn left



Right Button

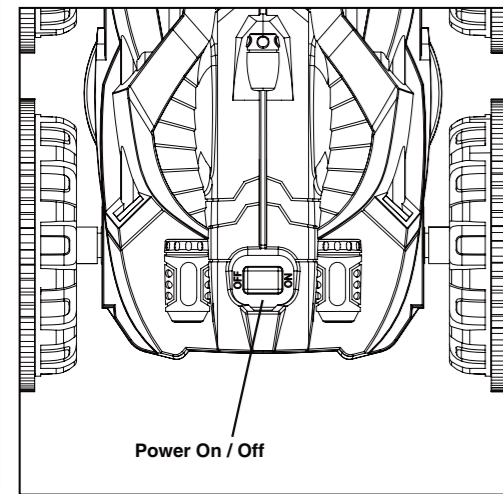
Control Amphibious RC Car to turn right

### Flip Action



Drive Amphibious RC Car in front of vertical flat surface, Keep Pressing Forward Button, Amphibious RC Car will perform 360° Flip Stunt!

### Power On/Off

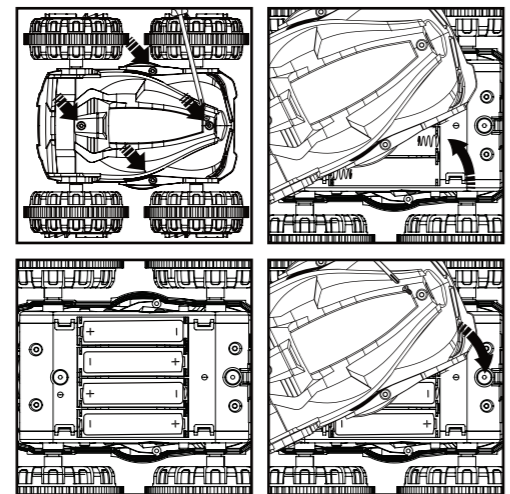


Power On / Off

### Power On/Off

Slide the ON/OFF Switch to ON to turn on the Amphibious RC Car. Slide the ON/OFF Switch to OFF to turn off the Amphibious RC Car.

### Batteries Installation

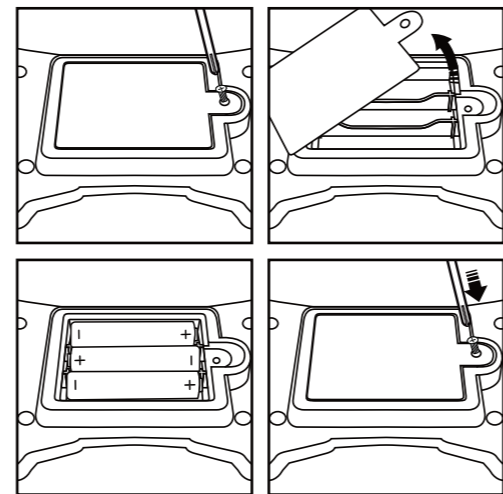


To install batteries into the Amphibious RC Car, unscrew the screws on the battery box cover to open the cover. Insert 4 x "AA" 1.5V batteries (Not Included) into the battery box. Batteries should be placed as shown on the diagram. Replace the battery box cover and tighten the screws.

### Notice:

When inserting the batteries, you must insert according to the correct polarity, the Amphibious RC Car won't function if batteries are reversed. When open or close the cover, please do not destroy the 'housing seal' and keep it in its place, otherwise the Amphibious RC Car may have ingress of water and cause malfunction.

### Batteries Installation



To install batteries into the Amphibious RC Car Remote, unscrew the screw on the battery box cover to open the cover. Insert 3 x "AAA" 1.5V batteries (Not Included) into the battery box. Batteries should be placed as shown on the diagram. Replace the battery box cover and tighten the screw.

### Notice:

When inserting the batteries, you must insert according to the correct polarity, the Amphibious RC Car Remote won't function if batteries are reversed.

### Performance Tips

- Do not drive the Amphibious RC Car on grass.
- Do not drive the Amphibious RC Car in windy weather.
- Do not drive the Amphibious RC Car into any sharp object.
- Keep fingers, hair and loose clothing away from Amphibious RC Car.

### Care and Maintenance

Always use dry and soft cloth to clean this product.  
 Avoid this product from being exposed to heat.  
 Check the product regularly. If any damages are discovered, please stop using immediately, until it is completely repaired in good working condition.  
 After the Amphibious RC Car has been running on the water, there is a chance that a small amount of water can flow into the wheel. This is not harmful to the Amphibious RC Car.  
 It is recommended to use absorbent cloth or paper for wiping the water on the housing. Then hold the body of the Amphibious RC Car with hand and operate the wheels to roll forward and backward in order to spin out the water inside the wheels. Then put the car on a piece of absorbent cloth to allow the residual water inside the wheels to drain out gradually.

### IMPORTANT: BATTERY INFORMATION

#### CAUTION:

- TO AVOID BATTERY LEAKAGE
  - Always follow the instructions carefully. Use only batteries specified and be sure to insert them correctly by matching the + and - polarity markings.
  - Do not mix old batteries and new batteries or standard (carbon-zinc) with alkaline batteries.
  - Remove exhausted or dead batteries from the product.
  - Remove batteries if product is not to be played with for a long time.
  - Do not short-circuit the supply terminals.
- Should this product cause, or be affected by local electrical interference, move it away from other electrical equipment. Reset (switching ON/OFF again or removing and re-inserting batteries) if necessary.

### Warning

This product is suitable to be used by people who has operating experience in remote toy or aged no less than 8 years old.  
 Please do not immerse the whole Amphibious RC Car into the water as this may cause ingress of water and malfunction.  
 Please play the Amphibious RC Car only in palm water or land. This toy is not suitable for playing in sea, river or other area with turbulence flow of water.  
 Please do not put the product in your mouth to prevent choking hazard of small parts.  
 Please do not put the finger into available interspaces.  
 Please do not play the product in a brutal way such as throwing, crashing or twisting it.  
 Please store the smaller-sized product accessories in places that are out of reach of children, in order to avoid the occurrence of accidents.  
 Avoid placing the batteries in places in high temperatures and avoid exposure to heat.

When young children are operating the product, it shall be ensured that the adults are guiding and making sure the product control is within the viewing range of the controller (or instructor) so that it makes the control of the toy more convenient.

When the product is not in use, please switch off the power supplies of the toy, and remove the batteries from the product.

Please note that we won't take any responsibility for any wrong operation as this may result in severe injury or loss of property, and we cannot control the operating process during the time when the user assembles or uses this product.

Once this product is sold, we won't be responsible for any safety responsibility during the time the user operates or uses controls this products.

### FCC Statement

This device complies with the part 15 of the FCC rules. Operation is subject to the following two conditions: (1) this device may not cause harmful interference, and (2) this device must accept any interference received, including interference that may cause undesired operation.  
 Caution: changes or modifications not expressly approved by the party responsible for compliance could void the user's authority to operate the equipment.

NOTE: This equipment has been tested and found to comply with the limits for a Class B digital device, pursuant to Part 15 of the FCC Rules. These limits are designed to provide reasonable protection against harmful interference in a residential installation. This equipment generates, uses and can radiate radio frequency energy and, if not installed and used in accordance with instructions may cause harmful interference to radio or television reception, which can be determined by turning the equipment off and on. The user is encouraged to try to correct the interference by one or more of the following measures:  
 • Reorient or relocate the receiving antenna.  
 • Increase the separation between the equipment and receiver.  
 • Connect the equipment into an outlet on a circuit different from that to which the receiver is connected.  
 • Consult the dealer or experienced radio/ TV technician for help.

RF warning statement:  
 The device has been evaluated to meet general RF exposure requirement. The device can be used in portable exposure condition without restriction.

FCC ID: 2ADM5-ET0066

Made Exclusively for Five Below  
 Distributed by Zeeva International Limited  
 Suite 1006C-8, 10th Floor, Exchange Tower,  
 33 Wang Chiu Road, Kowloon Bay,  
 Hong Kong, China

Keep All Relevant Information for Future Reference



1 92234 01798 2