



BASS JAXX™

CHROMATIC BLUETOOTH SPEAKER INSTRUCTION MANUAL

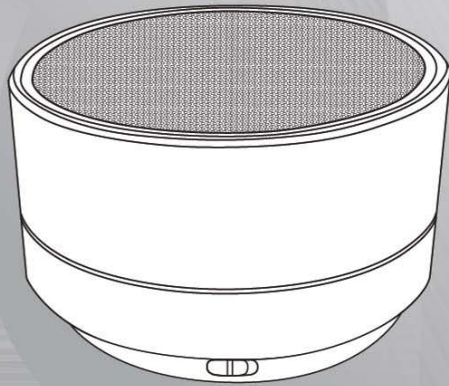


Table of contents

1 Introduction.....	1
2 Packaging Contents	2
3 Connection Diagram.....	2
4 How to use	3
4.1 General function	3
4.2 Pairing to mobile phone	4
4.3 Charging your speaker	5
5 Product Specification	6
6 FAQ.....	7

1. Introduction

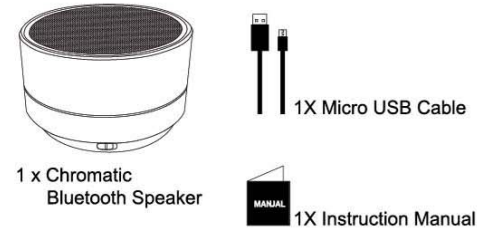
Congratulations, and thank you for choosing the Chromatic Bluetooth speaker. This manual will help you operate the Chromatic Bluetooth speaker, but you should first familiarize yourself with the Bluetooth functionality of your mobile phone or other devices before using the Chromatic Bluetooth speaker.

Safety Rules

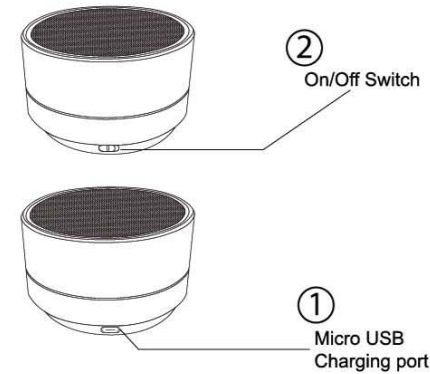
- 1 Please follow the rules depicted in this manual closely to ensure your safety. Before using this Bluetooth speaker, we would strongly encourage you to read through this user manual.
- 2 Be more wary of any edges, uneven surfaces, metal parts, accessories and its packaging so as to prevent any possible injury or damage.
- 3 Do not modify, repair or dismantle this Bluetooth speaker. Doing so may result in fires, electric shocks, complete breakdown of this Bluetooth speaker, etc. All of which, are not covered under warranty.
- 4 Do not use any diluents or volatile liquid to clean the Bluetooth speaker.
- 5 Do not use the Bluetooth speaker in a hazardous location.

1

2. Packaging Contents



3. Connection Diagram



2

4. How to use

4.1. General Functions

Desired Result	Required Action
Turn on & Enter the pairing mode	Slide the button to the right.
Pairing	You must use a Bluetooth function mobile phone or other Bluetooth device to perform necessary pairing action.
Turn off	Slide the button to the left.
Charging	Plug the Micro USB to the port enable the Bluetooth devices.

3

4.2. Pairing to Mobile phone or other device

To use your Bluetooth speaker, you must first pair your speaker with a phone or a computer. Once your Bluetooth speaker is paired to a specific mobile phone, they will remain paired and automatically recognize each other whenever they are within range.

Pairing to a phone and Entertainment:

- Turn on your phone and ensure the Bluetooth function is activated.
- Turn on the speaker, go to the pairing mode
- Search your Bluetooth devices on your phone by following the phone's instructions. Refer to your phone's user manual for more information.
- After a few seconds the phone will list the "SP-0249" as a discover device. Select it and follow your phone's instructions to select this pairing.
- Your phone will confirm the pairing, and then press Yes/Ok.
- Finally, select to connect with Chromatic Bluetooth Speaker from your phone.
- You can play music, watch TV shows/movies, and play games with your device, with all of the sound coming from the speaker.

4

4.3. Charging your speaker

Use the Micro USB cable accessory provided with this speaker. Connect the Micro USB plug to the Micro USB charging port on the speaker positioned at ① in speaker diagram on page 2. Connect the USB plug to a USB port on a computer or wall adapter to activate charging.

**Make sure to keep the speaker charging for a minimum of 6 hours before initial use.



Warning:

- You must select a qualified charger from a regular manufacturer.
- You must charge the Bluetooth speaker if it has been not used for more than 12 months.

5

5. Product Specification

Parameter	Value
Driver Diameter	40mm
Impedance	4 Ohms
Bluetooth Version	3.0
Battery Capacity	300 mAh Li-Ion
Battery Working Hours	1-2 Hours
Bluetooth Range	32.8 Feet



Rechargeable Li-ion Battery

6

6. FAQ

1. Why is there no power even when the Speaker is turned on?
Ans: Ensure the battery has been charged up to 6 hours for initial use.
2. There is no sound when playback.
Ans: Check the connection between speaker with phone or computer, if the connection is not established, please reconnect again. Make sure the speaker is paired and connected with your target phone or other master device.

7

Distributed by Five Below Merchandising, Inc.
1818 Market Street, Suite 2000
Philadelphia, PA 19103
Made in China
Visit Us At:
www.fivebelow.com

iPod®, iPhone® and iPad® are trademarks of Apple Inc. registered in the U.S. and other countries. Android™ is trademark of Google, Inc.

Keep All Relevant information for Future Reference

8

Federal Communications Commission (FCC) Statement

This device complies with part 15 of the FCC Rules. Operation is subject to the following two conditions: (1) This device may not cause harmful interference, and (2) this device must accept any interference received, including interference that may cause undesired operation.

Note: This equipment has been tested and found to comply with the limits for a Class B digital device, pursuant to part 15 of the FCC Rules. These limits are designed to provide reasonable protection against harmful interference in a residential installation. This equipment generates, uses and can radiate radio frequency energy and, if not installed and used in accordance with the instructions, may cause harmful interference to radio communications. However, there is no guarantee that interference will not occur in a particular installation. If this equipment does cause harmful interference to radio or television reception, which can be determined by turning the equipment off and on, the user is encouraged to try to correct the interference by one or more of the following measures:

- Reorient or relocate the receiving antenna.
- Increase the separation between the equipment and receiver.
- Connect the equipment into an outlet on a circuit different from that to which the receiver is connected.
- Consult the dealer or an experienced radio/TV technician for help.

Warning: Changes or modifications made to this device not expressly approved by Zeeva International Limited may void the FCC authorization to operate this device.

Note: The manufacturer is not responsible for any radio or tv interference caused by unauthorized modifications to this equipment. Such modifications could void the user's authority to operate the equipment.