

10+

# MARVEL STUDIOS BLACK PANTHER WAKANDA FOREVER

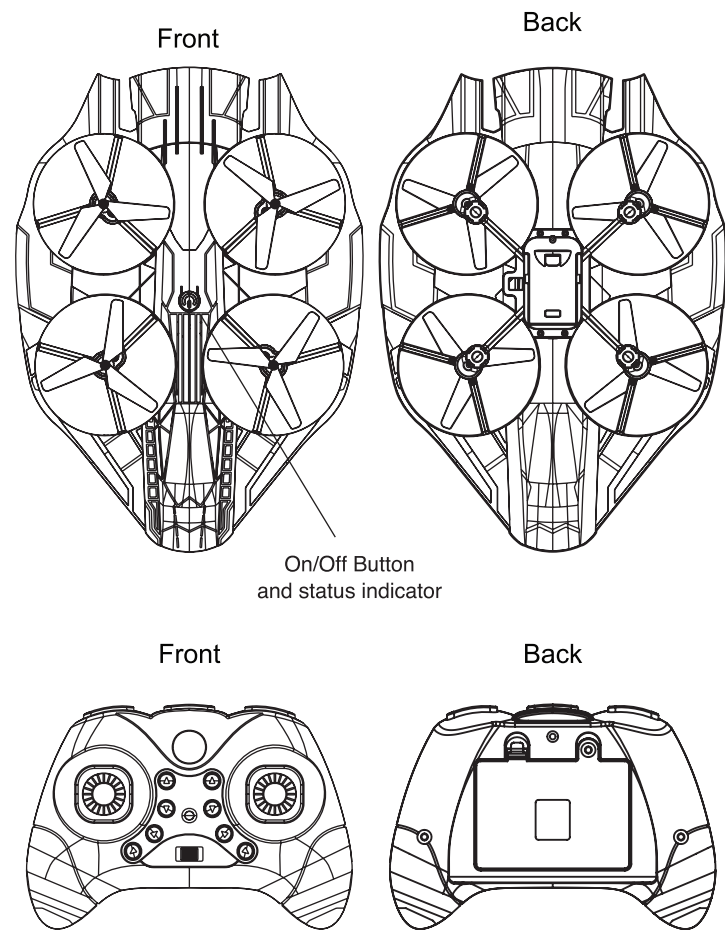
## RC BLACK PANTHER TALON FIGHTER DRONE

### Instruction Manual

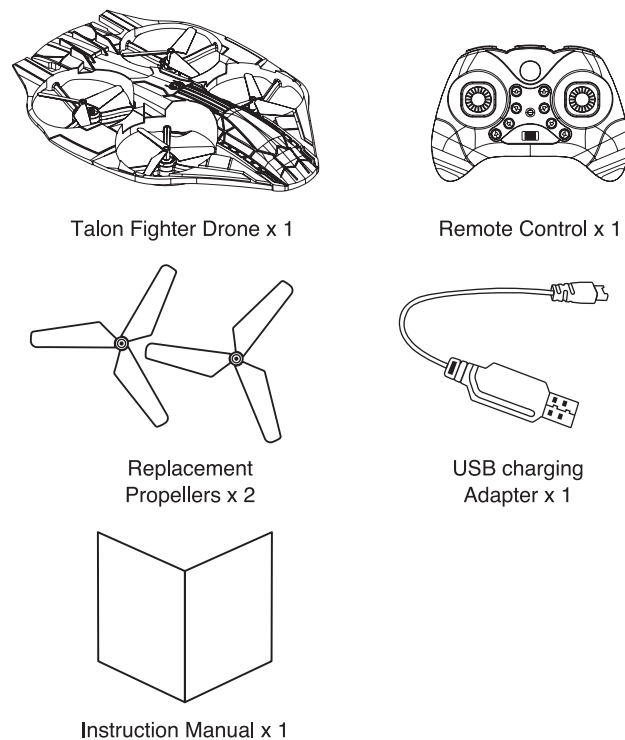
Thank you for purchasing the talon fighter drone. This manual provides more information about this drone, please read the instructions before using.



#### Product Overview



#### Package Contents



#### Specification

Frequency: 2.4 GHz  
Power Supply:  
RC Black Panther Talon Fighter Drone: 3.7V 500mAh Li-ion Rechargeable Battery  
Remote Control Supply: 3 x AAA 1.5V Alkaline Batteries (Not Included).  
Play Time: 6 minutes  
Charging Time: 90 minutes  
Control distance: Within 230 Feet

#### Speed Settings

The drone has three speed modes: low, medium and high.

Tap the **High/Low Speed Button to change modes.** (Left and right buttons are identical)  
When the remote control plays "DI" sound once, the speed set to low.  
When the remote control plays "DI" sound twice, the speed set to medium.  
When the remote control plays "DI" sound three times, the speed set to high.

#### Fine Tuning

In a flight, if:

1. Drone drifts backwards, press Forward fine-tuning button.
2. Drone drifts forwards, press Backward fine-tuning button.
3. Drone drifts left, press Right side parallel movement fine-tuning button.
4. Drone drifts right, press Left side parallel movement fine-tuning button.
5. Drone turns left, press Turn right fine-tuning button.
6. Drone turns right, press Turn left fine-tuning button.

#### Auto Landing

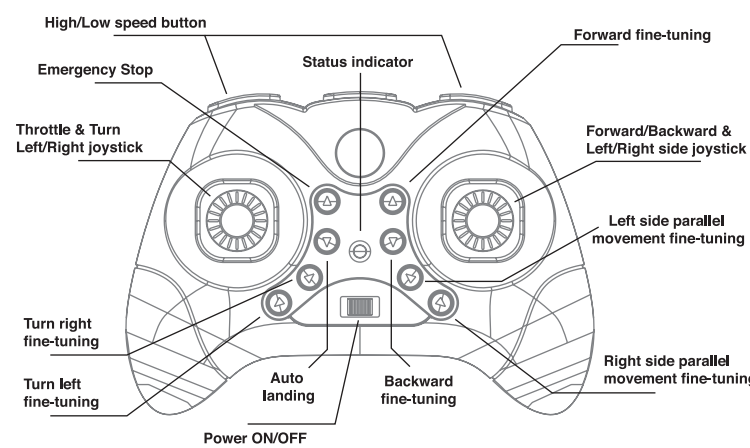
In a flight, press the Auto Landing button, the drone will landing slowly. The throttle joystick will be disabled. But still can control Forward/Backward & Left/Right side joystick.

Remark: Auto Landing function may not work properly if height below 1.5 meter.

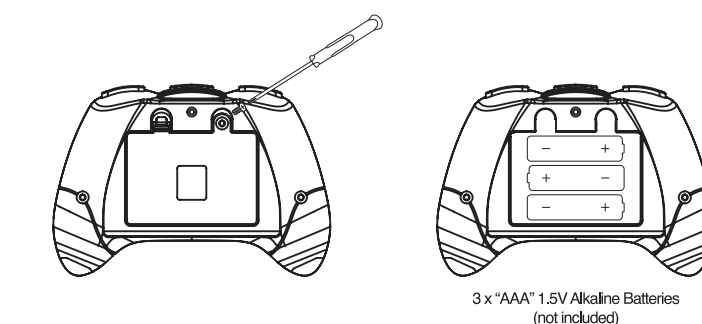
#### Emergency Stop

In case the drone is out of control, press and hold the Emergency Stop Button for 2 seconds, the drone will stop flight immediately.

#### Remote Control



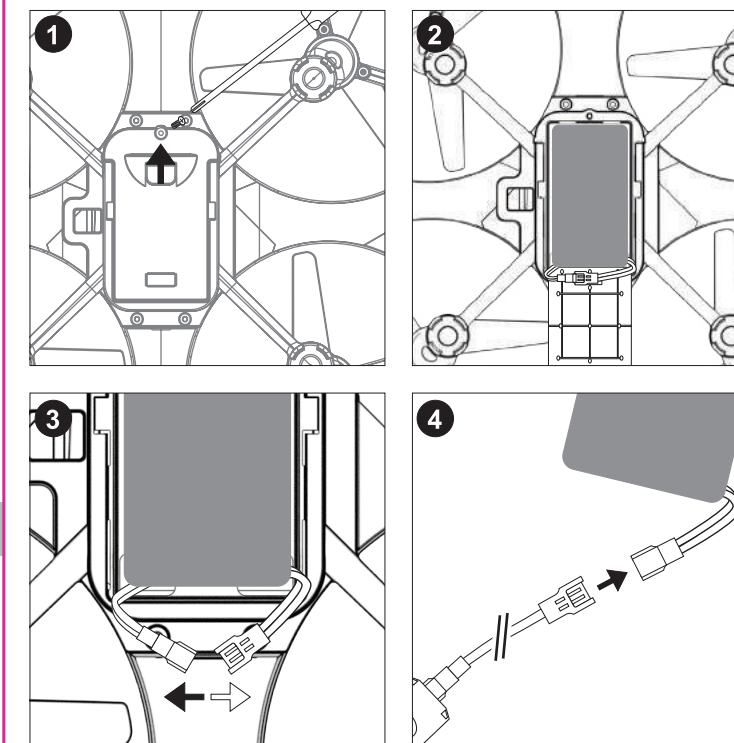
#### Remote Control Batteries Installation



To install batteries into the controller, unscrew the screw on the battery box cover, to open the cover. Insert 3 x "AAA" batteries 1.5V Alkaline Batteries (not included) into the battery box. Batteries should be placed as shown on the diagram.

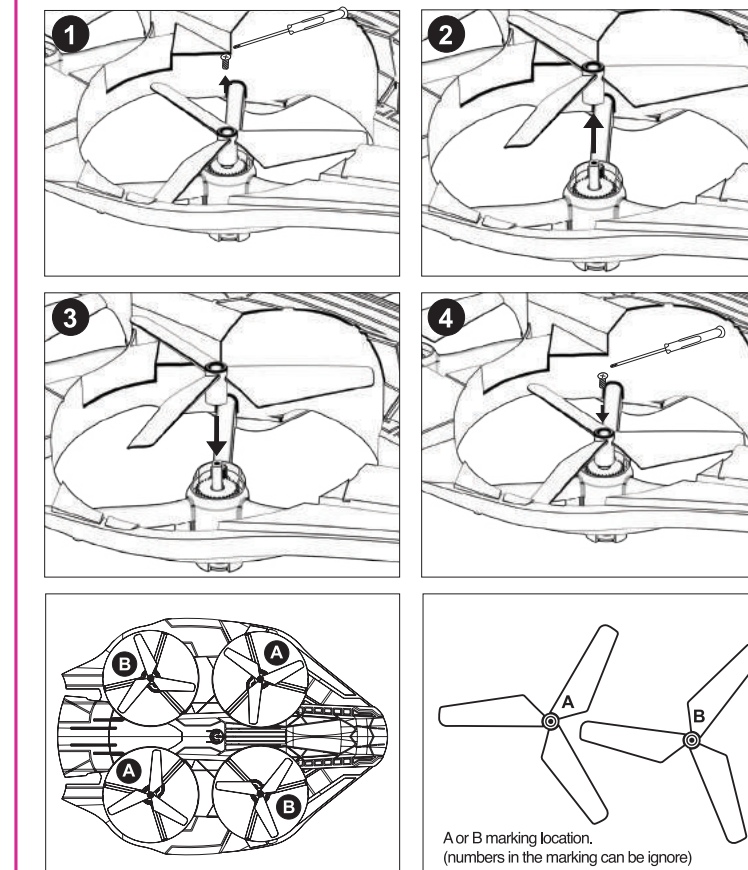
**Notice:**  
When inserting the batteries, you must insert according to the correct polarity, the remote wont function if batteries are reversed.

#### Drone Battery Charging



To recharge the battery of the drone, Unscrew the screw on the battery box to open the cover. Disconnect and take out the rechargeable li-ion battery from the drone. Connect and plug into the socket of USB charger for battery charging. It should be placed as show on the diagram. In the process of the battery charging, the indicator shows red light; after full charging, the indicator light will turn off.

#### Drone Propellers Replacement



- Only an adult should replace blades. To remove, unscrew the screw on the blades and pull up the blades.
- Replace propellers by following the diagram.
- Each blade spins differently. Blade B spins counter clockwise and Blade A spins clockwise.

#### Starting off the drone

##### Power (Failure) program

When the drone cannot receive signal from the remote control, the battery power fails to ensure the motor doesn't start. This is to achieve protection when no signal can be detected.

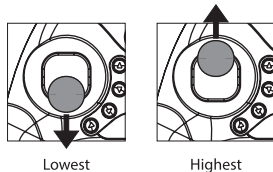
##### Step 1:

Turn on the power switch of drone, and place the drone on a flat location. The status indicator will start to flash.

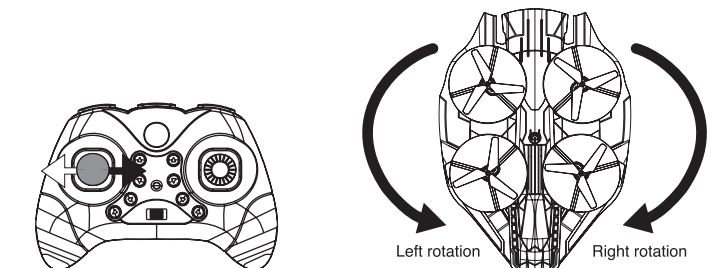
##### Step 2:

Turn on the remote control power switch, push the throttle joystick from the lowest to the highest, and then pull it down to lowest position. Remote plays a "DI" sound. Both status indicators on the drone and remote will stop flash. Drone was paired and ready for takeoff.

Remark: When the remote's battery is low, the status indicator will keep flashing and cannot be operate. Please replace new batteries immediately.

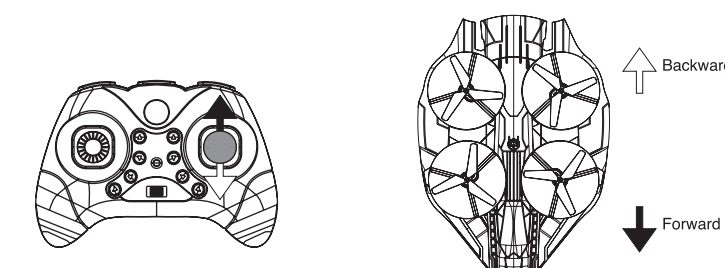


##### Turn Left/Right joystick



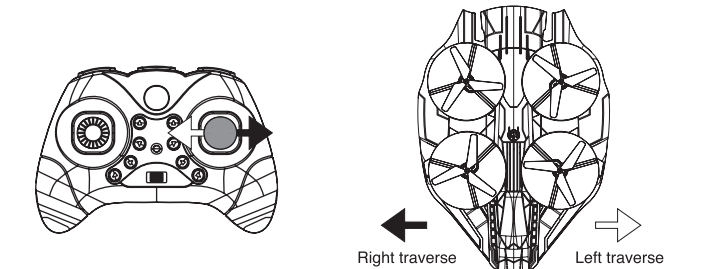
Control drone left or right rotation

##### Forward/Backward joystick



Control drone forward and backward movement

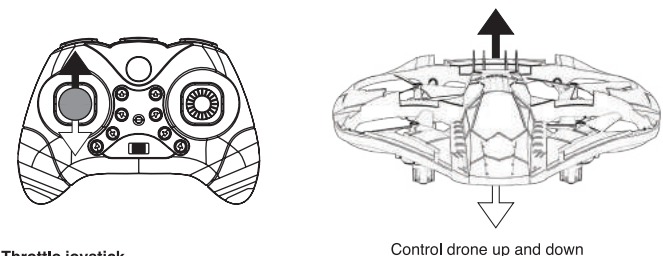
##### Left/Right side joystick



Control drone left or right lateral movement

#### Operation Method

Note: To avoid losing control, always pay attention when controlling the drone.



Throttle joystick

Control drone up and down

#### Care and Maintenance

Always use dry and soft cloth to clean this product.

Avoid this product from being exposed to sunlight or heat.

Avoid immersing these toys in water, otherwise, the electronic parts may be damaged.

Check regularly and inspect the plug and other accessories. If any damages are discovered, please stop using immediately, until it is completely repaired in good working condition.

#### IMPORTANT: BATTERY INFORMATION

##### ⚠ CAUTION:

##### 1. TO AVOID BATTERY LEAKAGE

- a. Always follow the instructions carefully. Use only batteries specified and be sure to insert them correctly by matching the + and - polarity markings.
- b. Do not mix old batteries and new batteries or standard (carbon-zinc) with alkaline batteries.
- c. Remove exhausted or dead batteries from the product.
- d. Remove batteries if product is not to be played with for a long time.
- e. Do not short-circuit the supply terminals.
- f. RECHARGEABLE BATTERIES: Do not mix these with any other types of batteries. Always remove from the product before recharging. Recharge batteries under adult supervision. DO NOT RECHARGE OTHER TYPES OF BATTERIES.

2. Should this product cause, or be affected by local electrical interference, move it away from other electrical equipment. Reset (switching ON&OFF again or removing and re-inserting batteries) if necessary.

##### ⚠ Li-ion battery charging warning statement:

The input to the USB Charging Adapter is 5V 1A. In order to charge the product in safe manner and reliable conditions, please only adopt certified appropriate charger/ adapter for charging the product. Only charge the product at ambient temperatures between 10 deg °C/ 50 deg °F and 40 deg °C/104 deg °F. Do not heat above 70 deg °C/158 deg °F, eg. Do not expose to sunlight or throw into fire. Please note that we won't take any responsibility for any wrong operation (eg. Voltage higher than 5V) as this may result in severe injury or loss of property, and we cannot control the operating process during the time the user using this product.

#### Notice

Please read this instruction manual carefully before operating the product.

Please do not operate the product in the gale.

The flying ground should be the local field and legal for remote control flying. Please do not operate the product in forbidden zone or around people or animals.

Keep the aircraft a certain distance (at least 2-3 meters) from others when playing together.

#### ⚠ Warning

This product is suitable to be used by people who has operating experience in flying model or aged no less than 10 years old.

This product is not a toy but a precise equipment integrating mechanics and electronics with expertise of aerodynamics and high-frequency transmitting. It requires correct assembly and debug so as to prevent the accident from happening. The user should operate or control it in a safe way.

Please do not put the product in your mouth to prevent choking hazard of small parts.

Please do not put the finger into available interspaces.

Please do not play the product in a brutal way such as throwing, crashing or twisting it.

Please store the smaller-sized product accessories in places that are out of reach of children, in order to avoid the occurrence of accidents.

The product is very powerful. When flying for the first time, observe carefully. The joystick must be slowly pushed in order to prevent the product from ascending too quickly and result in unnecessary collision and damages.

When the flight has ended, the power supply of the remote control should be switched off and also switch off the power supply of the product.

Avoid placing the batteries in places in high temperatures and avoid exposure to heat.

When young children are operating the product, it shall be ensured that the adults are guiding and making sure the product control is within the viewing range of the controller (or instructor) so that it makes the control of the drone more convenient.

When the product is not in use, please switch off the power supplies of both the aircraft and the remote control, and remove the batteries from the remote control.

Please note that we won't take any responsibility for any wrong operation as this may result in severe injury or loss of property, and we cannot control the operating process during the time when the user assembles or uses this product.

Once this product is sold, we won't be responsible for any safety responsibility during the time the user operates or uses controls this products.

#### FCC Statement

This device complies with the part 15 of the FCC rules. Operation is subject to the following two conditions:(1) this device may not cause harmful interference, and (2) this device must accept any interference received, including interference that may cause undesired operation.

Caution: changes or modifications not expressly approved by the party responsible for compliance could void the user's authority to operate the equipment.

NOTE: This equipment has been tested and found to comply with the limits for a Class B digital device, pursuant to Part 15 of the FCC Rules. These limits are designed to provide reasonable protection against harmful interference in a residential installation. This equipment generates, uses and can radiate radio frequency energy and, if not installed and used in accordance with instructions may cause harmful interference to radio or television reception, which can be determined by turning the equipment off and on. The user is encouraged to try to correct the interference by one or more of the following measures:  
• Reorient or relocate the receiving antenna.  
• Increase the separation between the equipment and receiver.  
• Connect the equipment into an outlet on a circuit different from that to which the receiver is connected.  
• Consult the dealer or experienced radio / TV technician for help.

RF Warning Statement:  
The device has been evaluated to meet general RF exposure requirement. The device can be used in portable exposure condition without restriction.



FCC ID: 2ADM5-TL-0023

Item# TL-0023

Distributed by 1616 Holdings, Inc.  
701 Market Street, Suite 200  
Philadelphia, PA 19106

Made in Shantou, China

Keep All Relevant Information for Future Reference