

# HELI Launcher

Rever Launches Heli ball while driving!

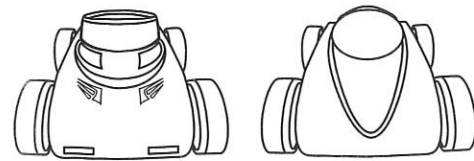
## Instruction Manual

Thank you for purchasing the heli launcher. This manual provides more information about this launcher, please read the instructions before using.



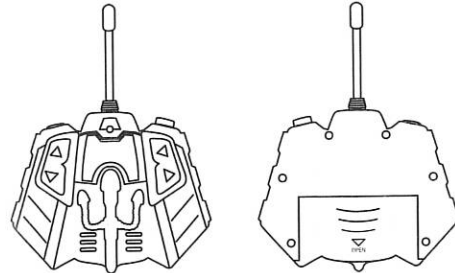
10+

### Product Overview



Front

Back



Front

Back

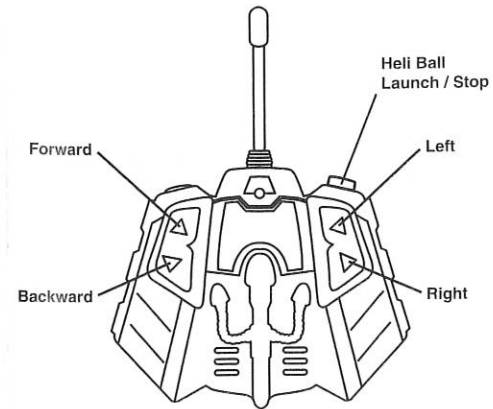
### Package Contents

- Heli Launcher x 1
- Remote Controller x 1
- Instruction Manual x 1

### Specifications

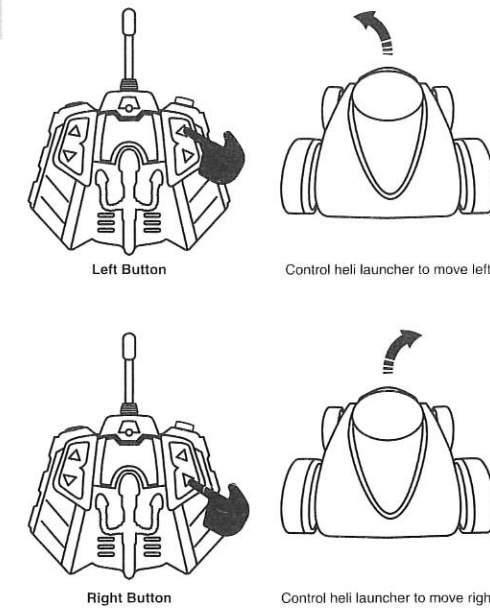
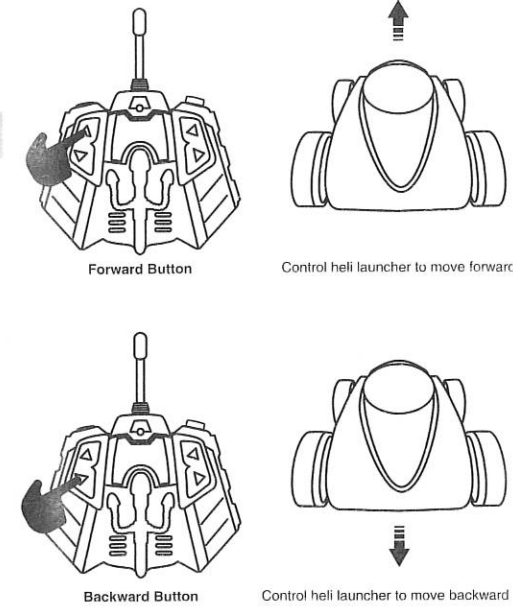
Remote control power supply: 2 x "AA"1.5V Batteries (Not Included)  
 Heli Launcher power supply: 4 x "AA"1.5V Batteries (Not Included)  
 Play time: 12 minutes  
 Radio control type: RC model  
 Control distance: 30 Feet

### Remote Control



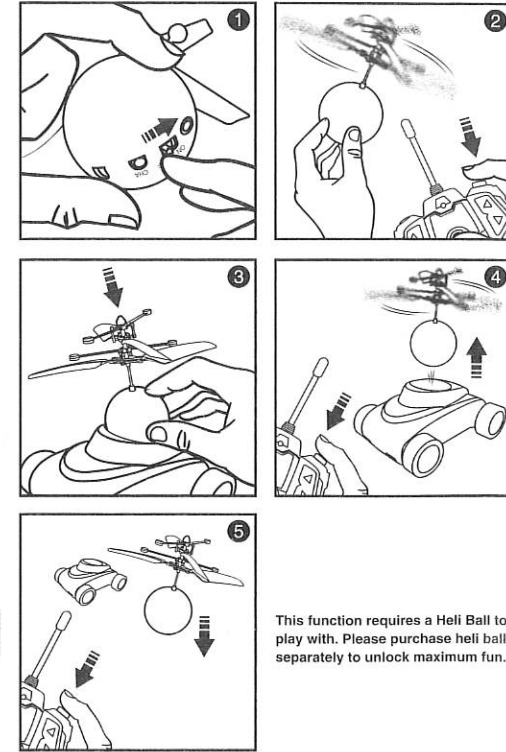
### Operation Method

Note: To avoid losing control, always pay attention when controlling the Heli Launcher.



### Launching Heli Ball

- Slide the ON/OFF switch to turn on the heli ball.
- Press(Heli Ball Launch / Stop Button) on the controller to turn heli ball into standby mode.
- Put heli ball on the heli launcher holder until it is located upright inside the holder by the locating pin.
- Press(Heli Ball Launch / Stop Button) to launch the heli ball.
- Press(Heli Ball Launch / Stop Button) again to stop heli ball from flying and start landing.

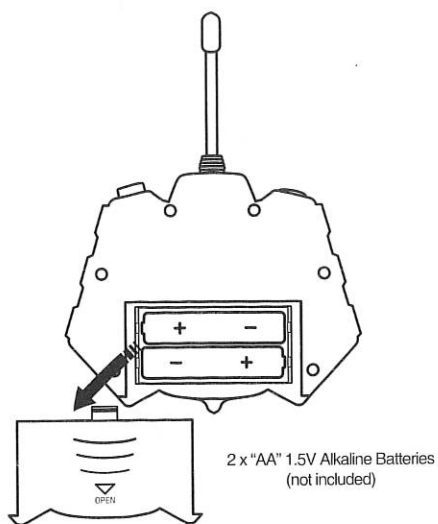


This function requires a Heli Ball to play with. Please purchase heli ball separately to unlock maximum fun.

\*HELI BALL SOLD SEPARATELY

\*HELI BALL SOLD SEPARATELY

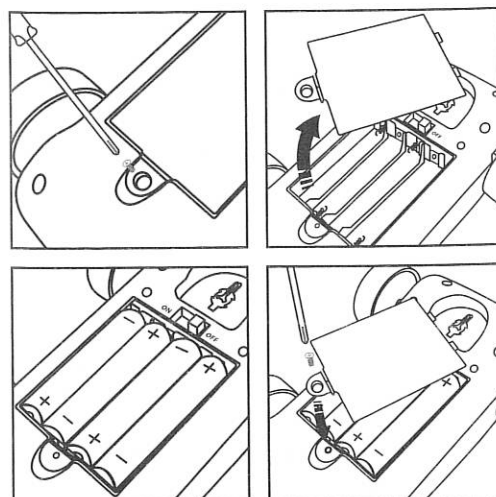
## Remote Control Batteries Installation



Install batteries into the controller, open the battery box cover. Insert 2 x "AA" 1.5V batteries (Not Included) into the battery box. Batteries should be placed as shown on the diagram.

**Notice:**  
When inserting the batteries, you must insert according to the correct polarity, the remote won't function if batteries are reversed.

## Heli launcher Batteries Installation

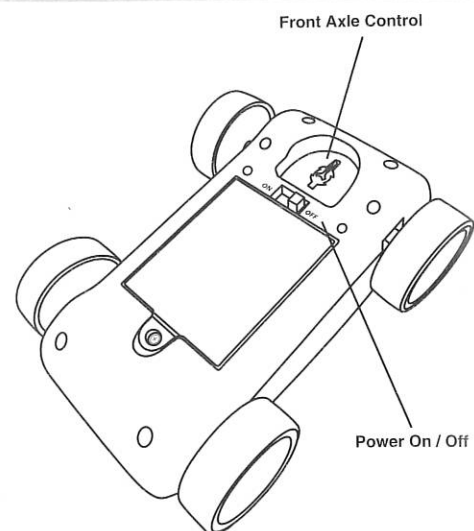


To install batteries into the heli launcher, unscrew the screw on the battery box cover to open the cover. Insert 4 x "AA" 1.5V batteries (Not Included) into the battery box. Batteries should be placed as shown on the diagram.

### Notice:

When inserting the batteries, you must insert according to the correct polarity, the heli launcher won't function if batteries are reversed.

## Power On/Off & Front Axle Control



### Power On/Off

Slide the ON/OFF Switch to the left to turn on the heli launcher. Slide the ON/OFF Switch to the right to turn off the heli launcher.

### Front Axle Control

Slide the Front Axle Control Switch to adjust front axle alignment.

## Performance Tips

1. Do not drive the heli launcher on grass, sand or go through water.
2. Do not drive the heli launcher in windy or rainy weather.
3. Do not drive the heli launcher into any hard object.
4. Keep fingers, hair and loose clothing away from heli launcher.

## RC Frequency Information

Same color Heli Launcher will affect each other if operating at same area. One controller will try to control both Heli Launcher or you'll get erratic behavior in one or both Heli Launcher.

To operate in close proximity, make sure each vehicle is a different frequency. A Gray Heli Launcher and a Orange Heli Launcher can run alongside each other with no problem.

## Care and Maintenance

Always use dry and soft cloth to clean this product.

Avoid this product from being exposed to sunlight or heat.

Avoid immersing these toys in water, otherwise, the electronic parts may be damaged.

Check the product regularly. If any damages are discovered, please stop using immediately, until it is completely repaired in good working condition.

## Warning

This product is suitable to be used by people who has operating experience in rc car model or aged no less than 10 years old.

Please do not put the product in your mouth to prevent choking hazard of small parts.

Please do not put the finger into available interspaces.

Please do not play the product in a brutal way such as throwing, crashing or twisting it.

Please store the smaller-sized product accessories in places that are out of reach of children, in order to avoid the occurrence of accidents.

Avoid placing the batteries in places in high temperatures and avoid exposure to heat.

When young children are operating the product, it shall be ensured that the adults are guiding and making sure the product control is within the viewing range of the controller (or instructor) so that it makes the control of the rc car more convenient.

When the product is not in use, please switch off the power supplies of the heli launcher and the remote control, and remove the batteries from the product.

Please note that we won't take any responsibility for any wrong operation as this may result in severe injury or loss of property, and we cannot control the operating process during the time when the user assembles or uses this product.

Once this product is sold, we won't be responsible for any safety responsibility during the time the user operates or uses controls this products.

## IMPORTANT: BATTERY INFORMATION

### ⚠ CAUTION:

#### 1. TO AVOID BATTERY LEAKAGE

a. Always follow the instructions carefully. Use only batteries specified and be sure to insert them correctly by matching the + and - polarity markings.

b. Do not mix old batteries and new batteries or standard (carbon-zinc) with alkaline batteries.

c. Remove exhausted or dead batteries from the product.

d. Remove batteries if product is not to be played with for a long time.

e. Do not short-circuit the supply terminals.

2. Should this product cause, or be affected by local electrical interference, move it away from other electrical equipment. Reset ( switching ON&OFF again or removing and re-inserting batteries) if necessary.

## FCC Statement

This device complies with the part 15 of the FCC rules. Operation is subject to the following two conditions:(1) this device may not cause harmful interference, and (2) this device must accept any interference received, including interference that may cause undesired operation.

Caution: changes or modifications not expressly approved by the party responsible for compliance could void the user's authority to operate the equipment.

NOTE: This equipment has been tested and found to comply with the limits for a Class B digital device, pursuant to Part 15 of the FCC Rules. These limits are designed to provide reasonable protection against harmful interference in a residential installation. This equipment generates, uses and can radiate radio frequency energy and, if not installed and used in accordance with instructions may cause harmful interference to radio or television reception, which can be determined by turning the equipment off and on. The user is encouraged to try to correct the interference by one or more of the following measures:

- Reorient or relocate the receiving antenna.
- Increase the separation between the equipment and receiver.
- Connect the equipment into an outlet on a circuit different from that to which the receiver is connected.
- Consult the dealer or experienced radio/ TV technician for help.

### RF warning statement:

The device has been evaluated to meet general RF exposure requirement. The device can be used in portable exposure condition without restriction.

FCC ID: 2ADMS-TL0020

Keep All Relevant Information for Future Reference