

INDOOR CYCLING

GROUP



Indoorcycling Group GmbH
Happurger Strasse 84-88
90482 Nuernberg – Germany
info@indoorcycling.com

Wireless Commercial Computer - PRO 1.0
Articel no. ST 020120
Articel no. 020120

Caution!

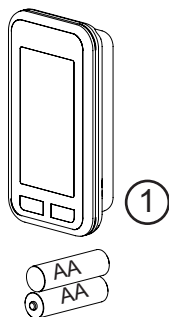
Read all precautions and instructions in this manual before you begin using this equipment. Please keep this manual for future reference.

Improper assembly, use or maintenance can void the warranty terms.

PARTS

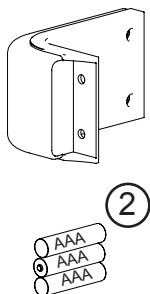
Computer consol

Art.no.: 020121
Art.no.: ST 020121



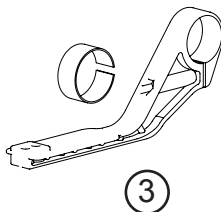
Wireless cadence transmitter

Art.no.: 020123
Art.no.: ST 020123



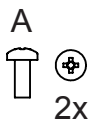
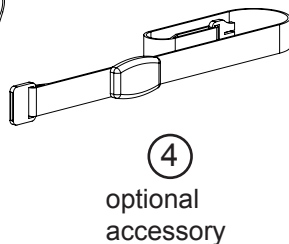
Computer mounting bracket

Art.no.: 020122
Art.no.: ST 020122

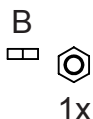


Textile heart rate chest belt

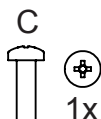
Art.no.: 020125
Art.no.: ST 020125



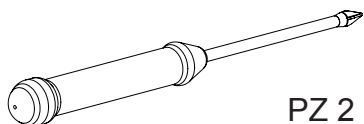
M4 x 10



M5



M5 x 50





hand tight

ASSEMBLY

1

The channel transmitting the cadence signal from the transmitter to the computer consol is pre set. A sticker on the housing indicates the preset channel on computer & transmitter.

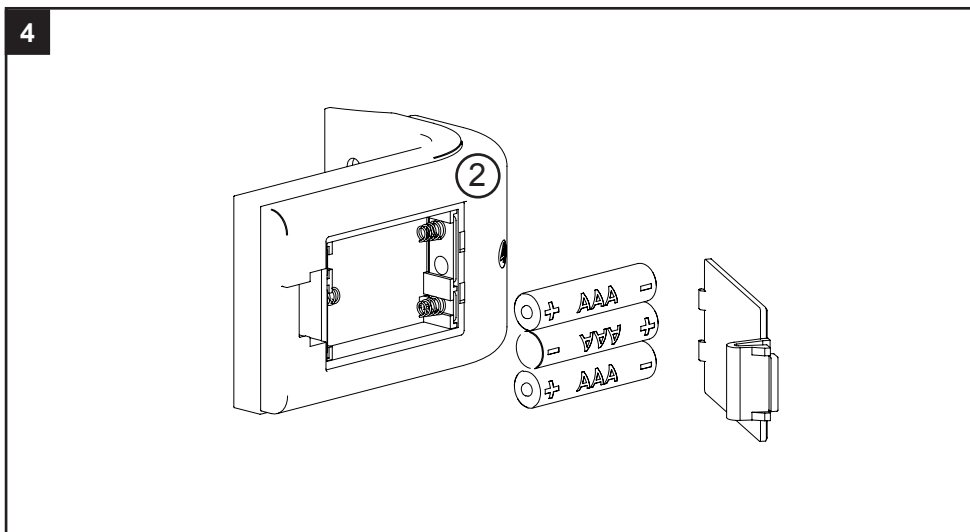
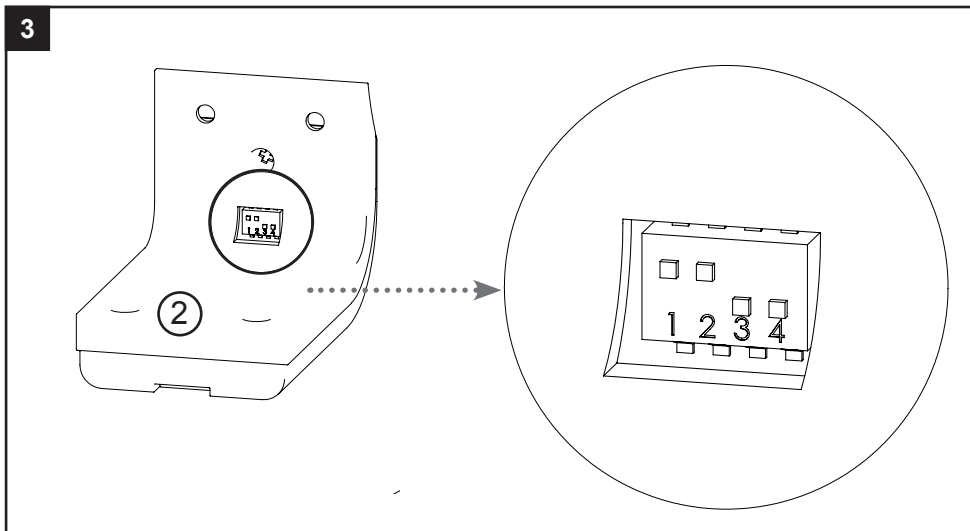
The channel can manually be changed. To avoid cross reading please assure a clearance of 52'' (1,3m) between components set on identical channels or simple swap to another channel (page 7, picture 10).

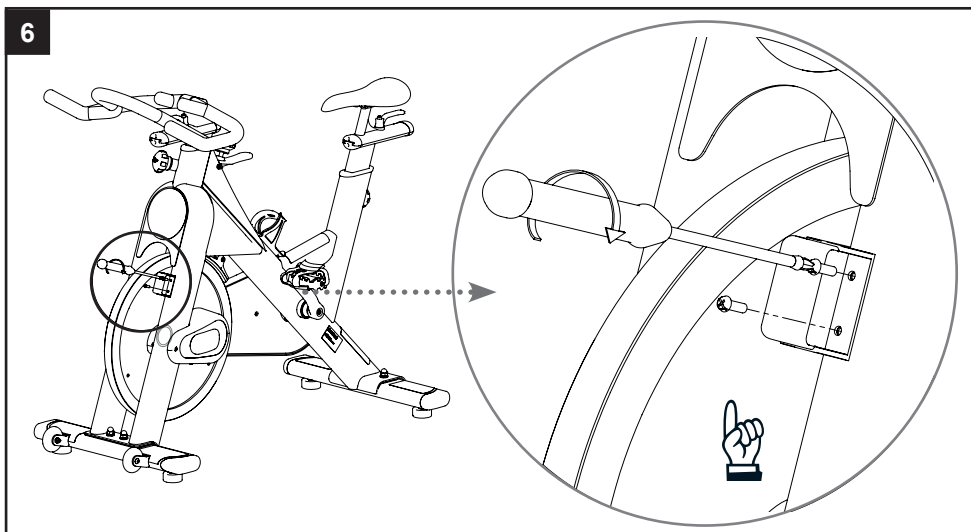
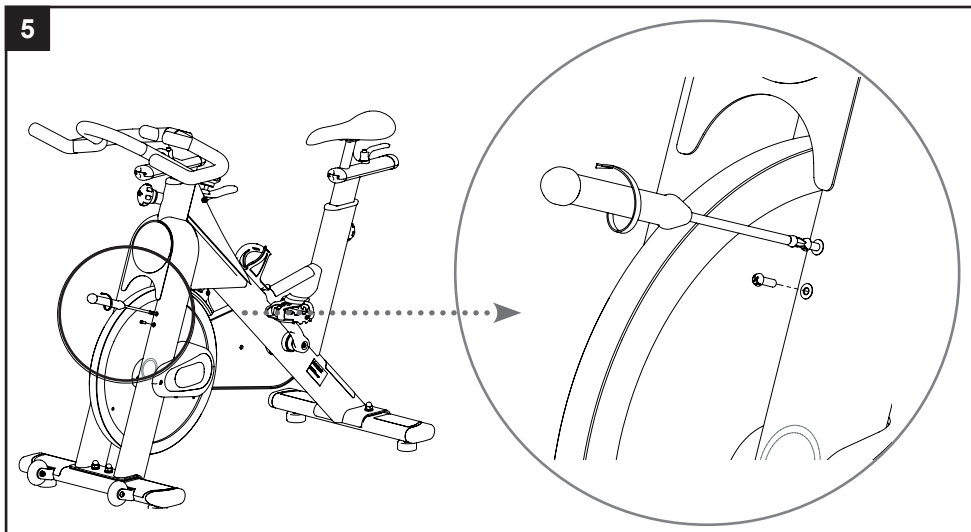
To assure that the digital cadence signal is synchronized, please check if the channel setting on the computer consol corresponds with the setting of the cadence transmitter.

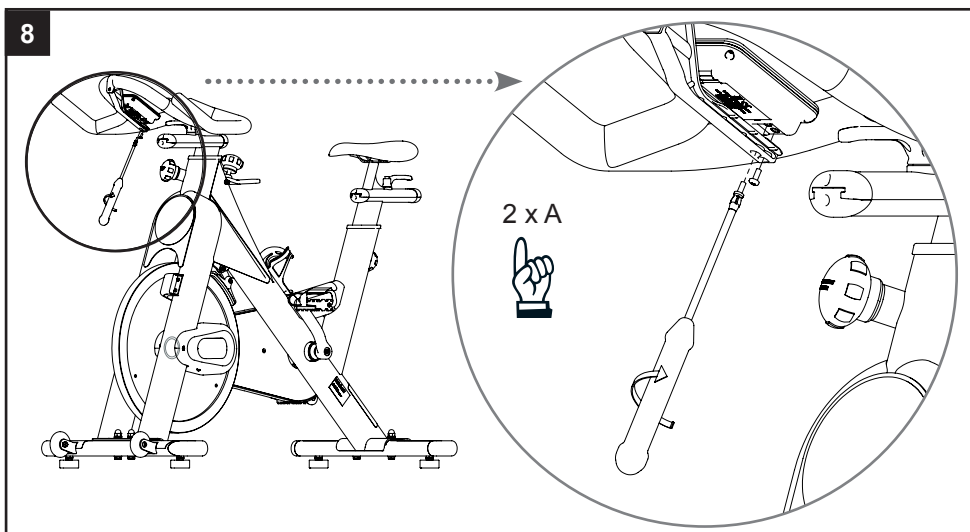
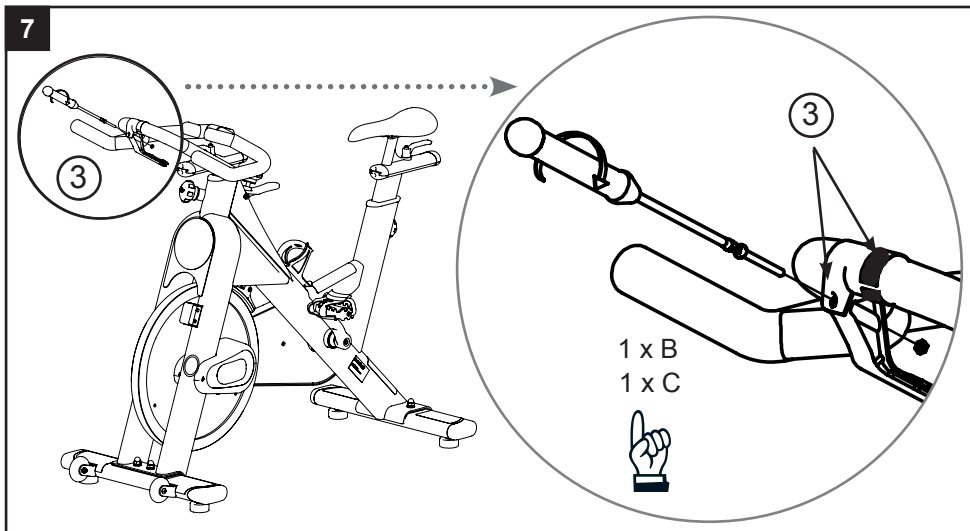
Please view picture no. 2 and 3.

2

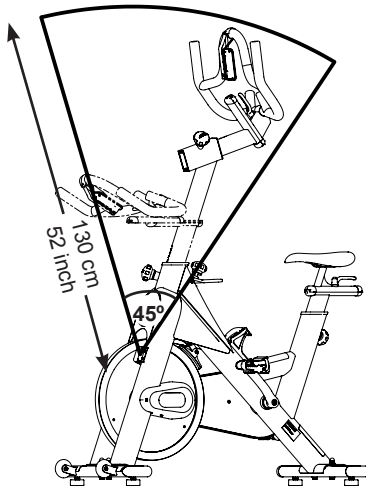
ENG



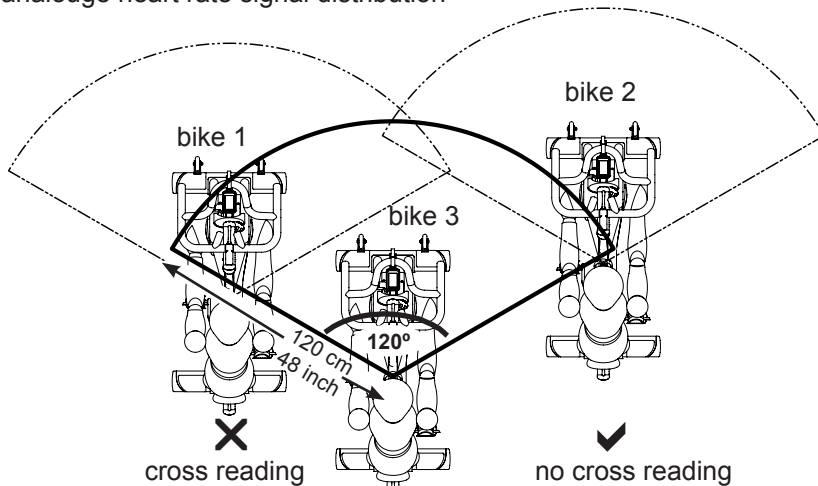




9 digital cadence signal distribution



10 analogue heart rate signal distribution



COMMERCIAL INDOOR CYCLING COMPUTER**Specifications****Technical Features:**

- Wireless Data Transmission (16 channel digital cadence and analogue heart rate 5,4khz \pm 10%)
- Compatible with analogue Polar heart rate transmission (integrated chest belt receiver)
- Display background illumination (5 seconds)
- Simple operation via Sun and Flow button
- Premium design
- Superior handlebar mounting bracket
- Optional setting for Miles or kilometer reading

Training Features:

- Heart Rate reading (actual and average)
- Cadence / RPM reading (actual and average)
- Training Time
- Distance
- Calorie Consumption
- Scan functionality for time, distance and calories

COMMERCIAL INDOOR CYCLING COMPUTER**Before you start your training:**

- Make sure the channel setting of the consol is in sync with the cadence transmitter setting to allow proper cadence reading
- Turn on the computer consol by pressing any of the two buttons (Sun or Flow)
- Test if the consol reads and displays your HR signal transmitted from your personal HR chest belt properly
- The blinking of the Heart symbol on the computer display indicates the reception of a compatible analogue HR signal
- It may takes up to 3 seconds before the actual HR data is displayed
- Chose your desired units, Miles or Kilometer

How to operate:**Miles/kilometer setting:**

- Press the “sun” button for 5sec.to enter setup mode. Change unit setting from Miles to Kilometer by pressing the “flow” button and confirm your choice by touching the “sun” button again for 1 sec.

Rest user data:

- Press the “flow” button for 3sec to reset all currently stored user data such as time, distance and Kcal, average HR and RPM

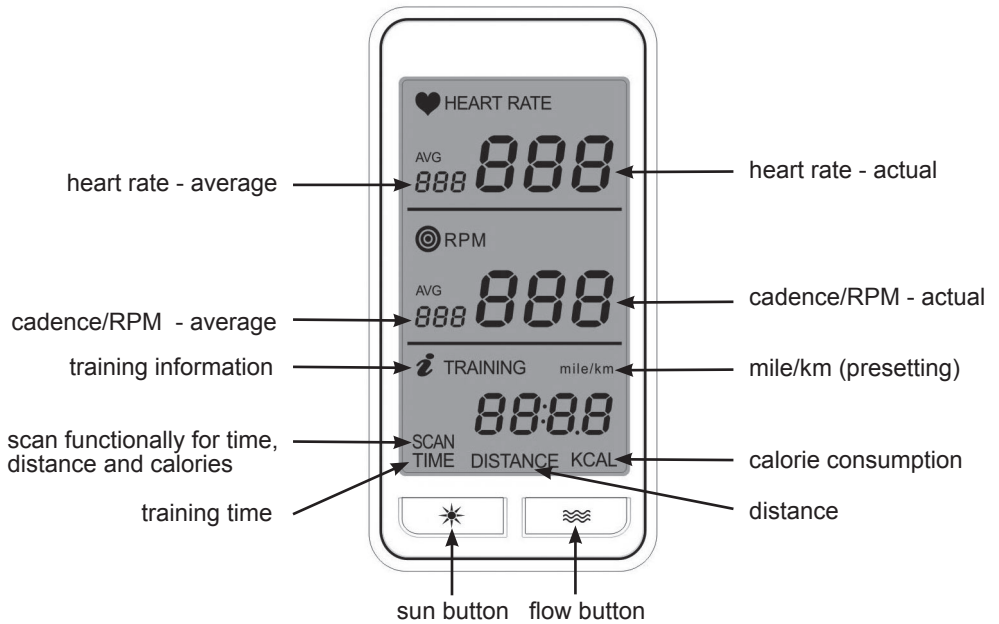
Engage light function:

- while operating the “sun” button briefly during exercise, the display illuminates and automatically turns off after 5 sec.

Training info:

- Chose your desired i- training information displayed on the lower part of the computer LCD by operating the “flow” button” briefly during exercise. The display will shifted between time to distance to cal to scan.
- If you chose the Scan mode the display will alternate between time, distance, kcal

COMMERCIAL INDOOR CYCLING COMPUTER



The batteries may not:

- come in contact with fire
- come in contact with coins or other metal objects
- be used together with older batteries
- be used with other makes or different types.

If you don't use the equipment for a longer period of time, please remove the batteries to avoid any damage by leaking or corroding batteries. If batteries have discharged, remove all residue immediately and insert new batteries into the computer. If you come into contact with residue, remove this carefully.

If possible please use rechargeable batteries to help save the environment.



Signed products or batteries with this symbol may not be disposed of in the normal domestic refuse. For a professional disposal please inform about relevant local laws or guidelines for the disposal of electrical devices and batteries. And act accordingly.

Indoorcycling Group GmbH warrants that all new equipment will be free of manufacturing defects in workmanship and materials, becoming effective on the date of original installation. The wireless commercial computer ST 020120 / 020120 is developed for the use in professional groupclass environments and therefore designed for commercial applications. Improper assembly, use or mechanical damages can void the warranty terms.

LIMITED WARRANTY

Wireless Commercial Computer

1 Year warranty : Cadence transmitter and computer consol

Batteries are excluded from any warranty.



FCC ID: QSW122T

FCC Compliance and Advisory Statement

This device complies with Part 15 of the FCC rules. Operation is subject to the following two conditions:(1) this device may not cause harmful interference, and (2) this device must accept any interference received, including interference that may cause undesired operation.

This equipment has been tested and found to comply with the limits for a Class B digital device, according to Part 15 of the FCC rules. These limits are designed to provide reasonable protection against harmful interference in a residential installation. This equipment generates, uses and can radiate radio frequency energy and if not installed and used in accordance with the instructions, may cause harmful interference to radio communications. However, there is no guarantee that interference will not occur in a particular installation. If this equipment does cause harmful interference to radio or television reception, which can be determined by turning the equipment off and on, the user is encouraged to try correct the interference by one or more of the following measures:

- 1.Reorient the receiving antenna.
- 2.Increase the separation between the equipment and receiver.
- 3.Connect the equipment into and outlet on a circuit different from that to which the receiver is connected.
- 4.Consult the dealer or an experienced radio/TV technician for help.

Any special accessories needed for compliance must be specified in the instruction manual.

Warning: A shielded-type power cord is required in order to meet FCC emission limits and also to prevent interference to the nearby radio and television reception. It is essential that only the supplied power cord be used. Use only shielded cables to connect I/O devices to this equipment.

CAUTION: Any changes or modifications not expressly approved by the party responsible for compliance could void your authority to operate the equipment.