



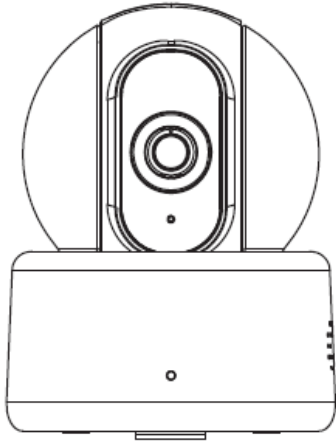
CONSUMER CAMERA

Quick Start Guide

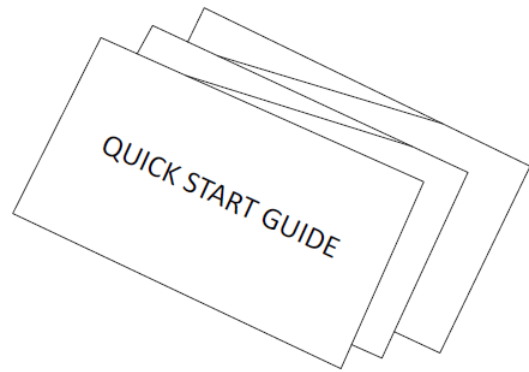
Version 1.0.0

ZHEJIANG DAHUA VISION TECHNOLOGY CO., LTD.

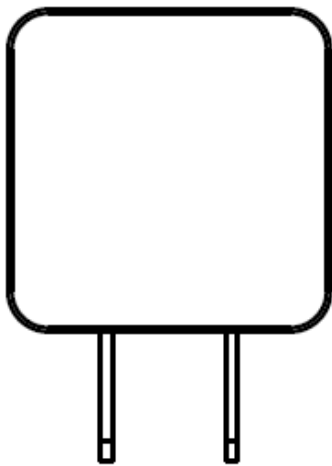
1 Packing List



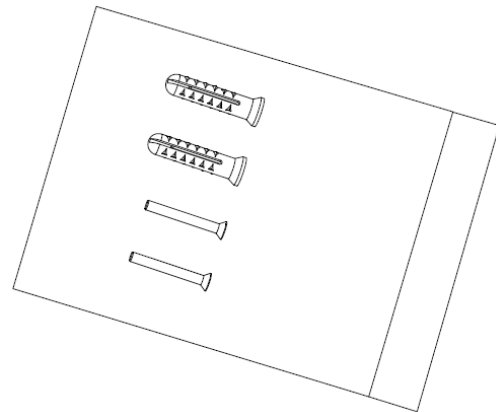
Device × 1



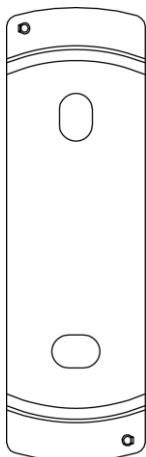
QSG × 1



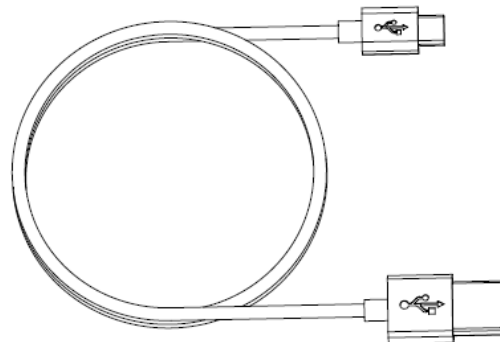
Power Adapter × 1



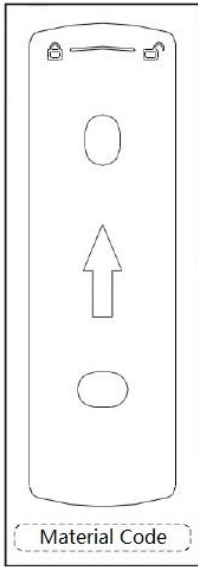
Screw Package × 1



Quick Installation Board × 1



USB × 1



Installation Position Map × 1

2 Product Appearance

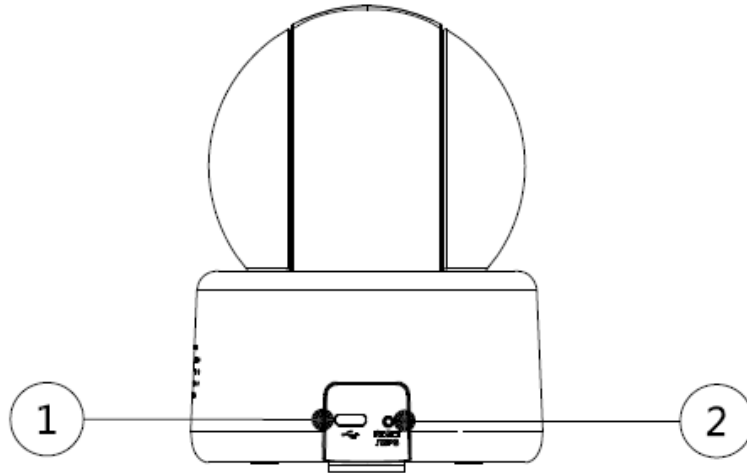


Figure 2-1

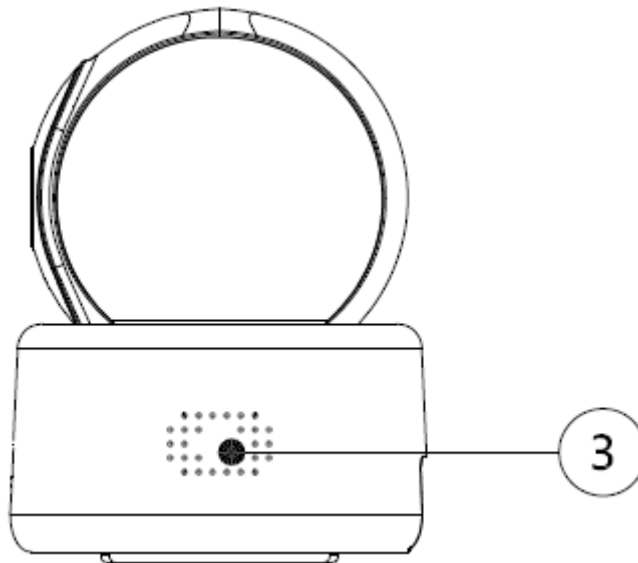


Figure 2-2

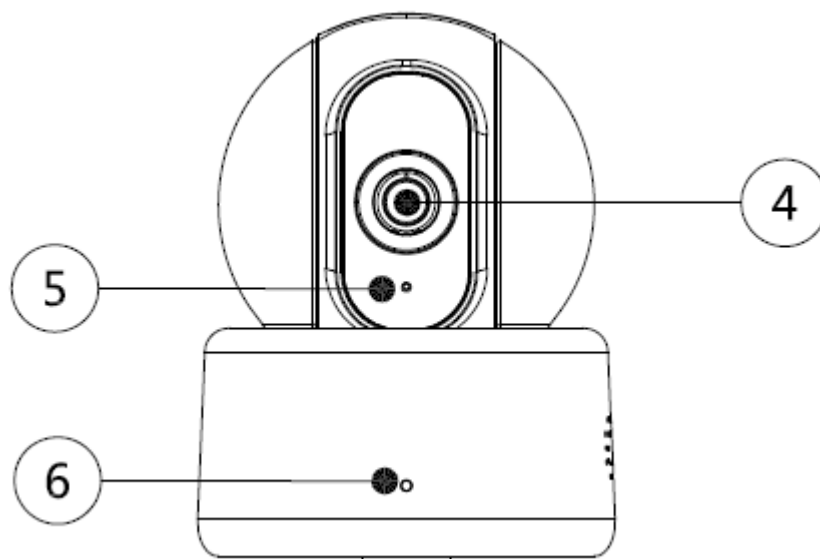


Figure 2-3

Please refer to the following table for more details about each port.

SN	Port Name
1	USB power port
2	Reset/WPS button
3	Speaker
4	Lens
5	MIC
6	Indicator light

Table 2-1

Note

For reset, long press for 8 seconds and then the light off; For WPS (Wi-Fi Protected Setup), one quick press.

Please refer to the following table for more details about status of indicator light.

Indicator light status	Device status
Red light stably on	Booting
Green light slow flashing	Booting completed, await Wi-Fi config, enter smart config status;
Green light quick flashing	Wi-Fi smart config in progress, including WPS (Wi-Fi Protected Setup), management frame, etc.
Green light stably on	Wi-Fi connection succeeded, operate normally.
Red and green lights flash alternately	Device upgrade
Red light slow flashing	Network disconnection
Red light quick flashing	Device fail to boot up; SD card does not work

Table 2-2

3 Operation by Easy4ip App

- Step 1 Power on your camera with power adapter.
- Step 2 Connect your smartphone to your Wi-Fi network, scan “Easy4ip” QR on the packing box, download and install “Easy4ip” APP.
- Step 3 Open Easy4ip APP (take iOS version as an example), see Figure 3-1. Please register an account for first use.

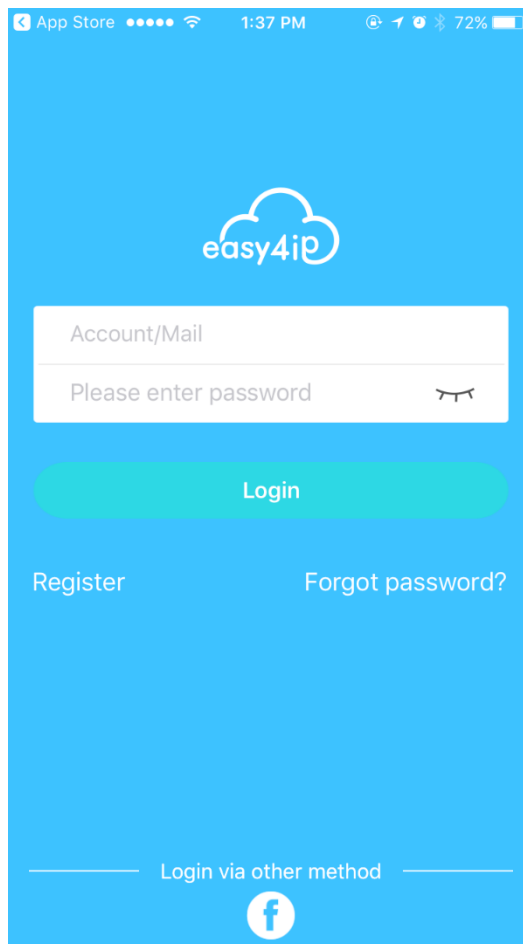


Figure 3-1

- Step 4 Please tap “+” to add new devices after you login your account.

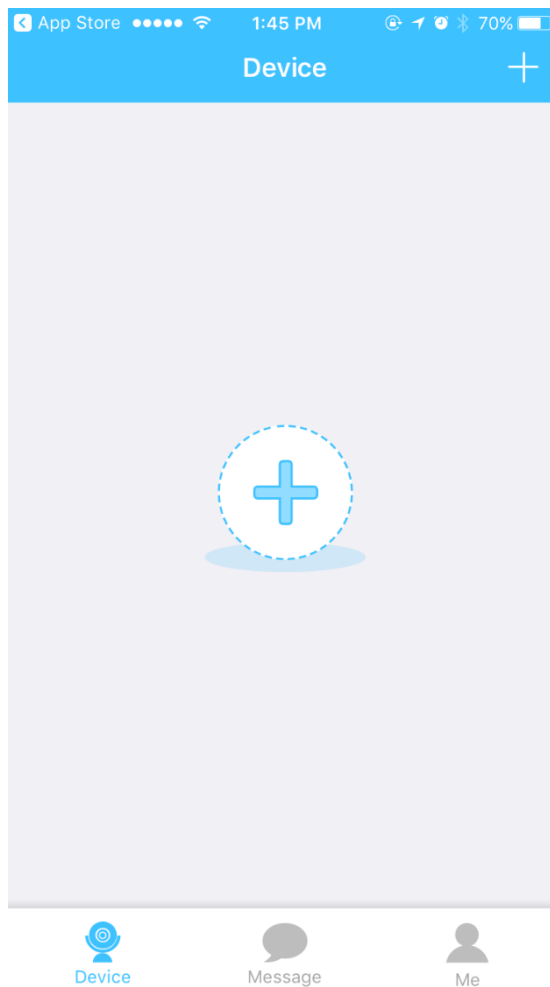


Figure 3-2

Step 5 Scan the QR code on the back of the camera to get the SN, you can also tap "**Manually enter the SN**" and manually input the SN number on the next page. Then tap "**Next**".

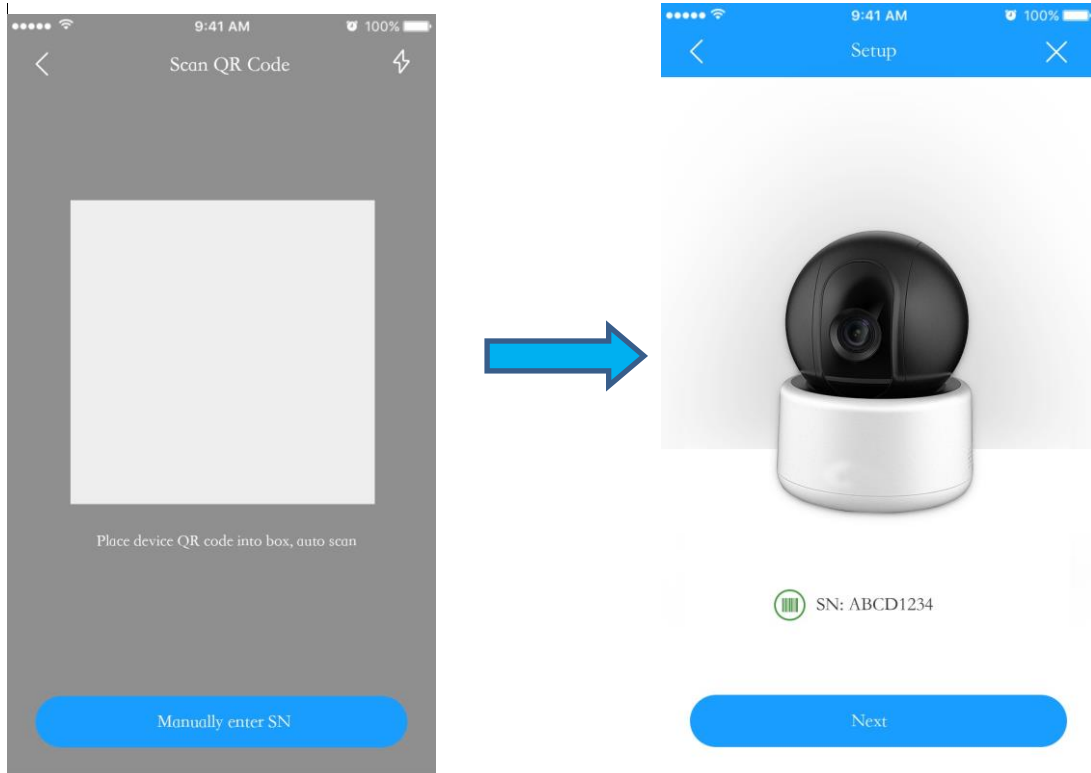
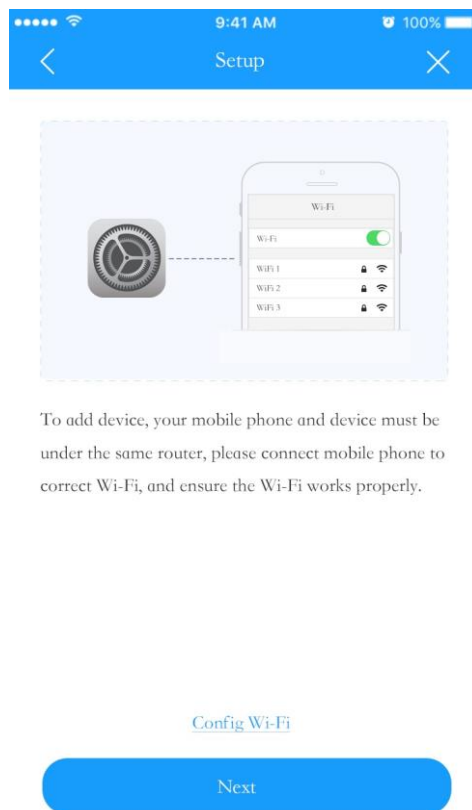


Figure 3-3

Step 6 Make sure your smartphone is connected to the same Wi-Fi, then tap "**Next**".



To add device, your mobile phone and device must be under the same router, please connect mobile phone to correct Wi-Fi, and ensure the Wi-Fi works properly.

[Config Wi-Fi](#)

Next

Figure 3-4

Step 7 Fill in the password of your Wi-Fi, then tap "**Next**".

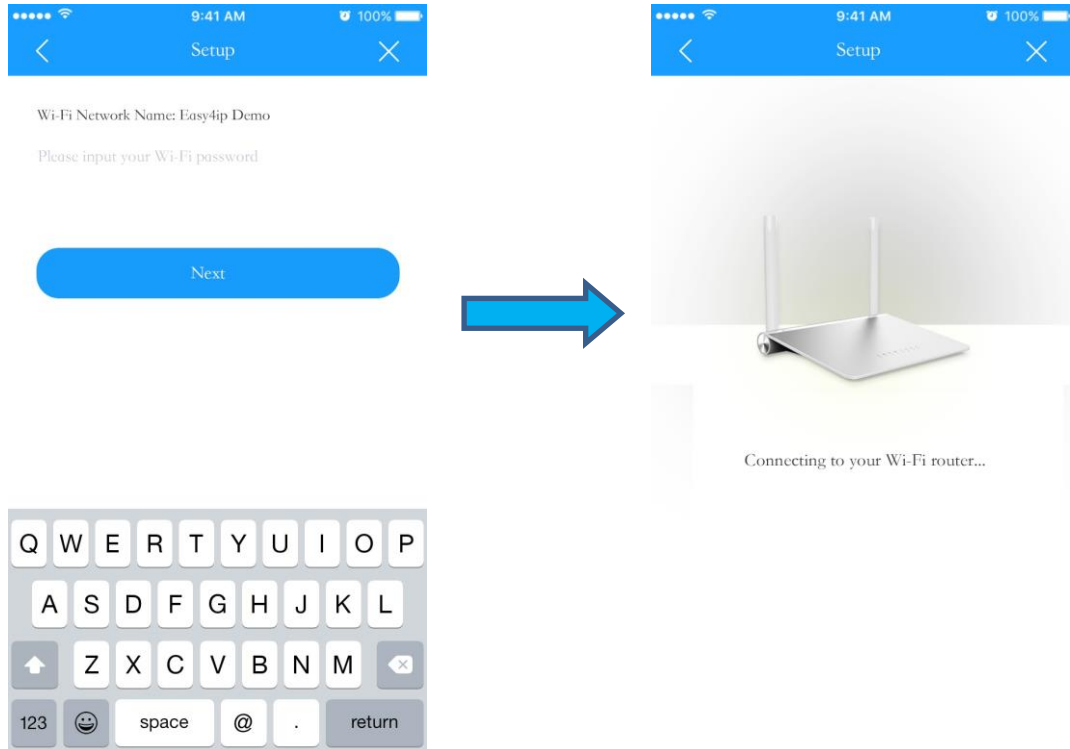


Figure 3-5

Step 8 Input your device password, the default password is "admin".

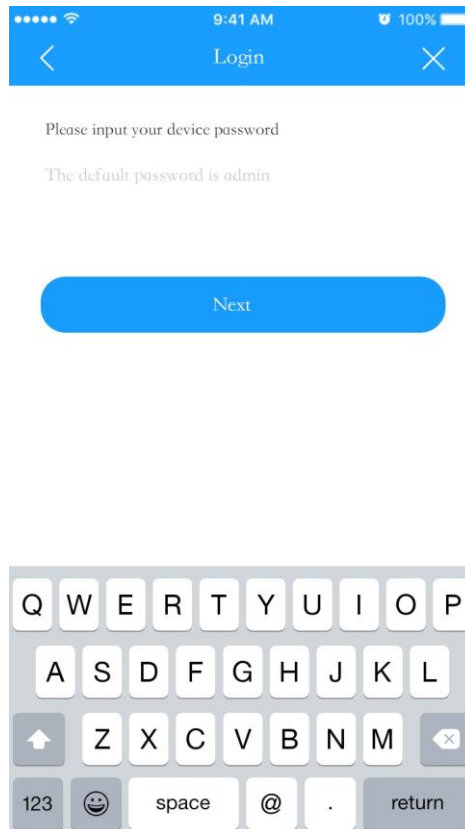


Figure 3-6

Step 9 Your camera is successfully added. You can set up your time zone and start preview.

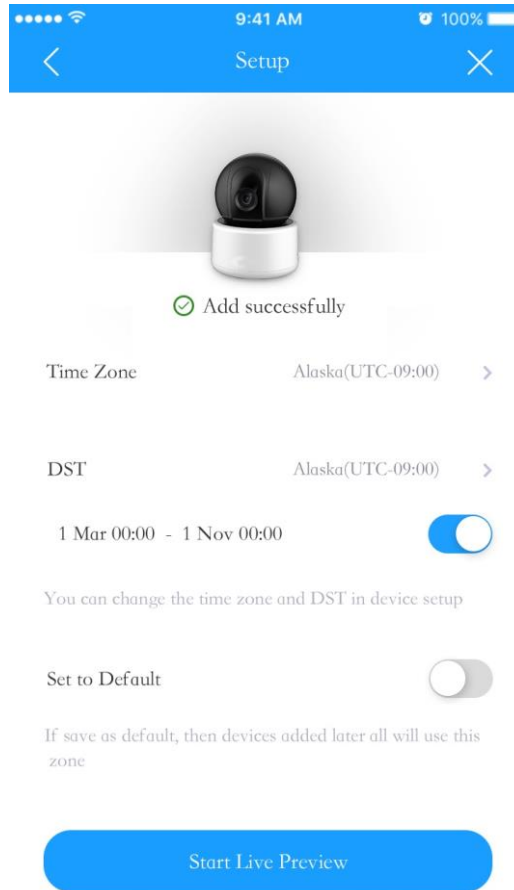


Figure 3-7

Note

If you have more cameras, please follow step 4-9 to add them one by one.

If you want to change the Wi-Fi signal, please reset the camera to factory default and repeat step 4-9 to add the device.

4 Device Installation

Note

Please make sure the installation surface can min support the 3X weight of the camera and the bracket.

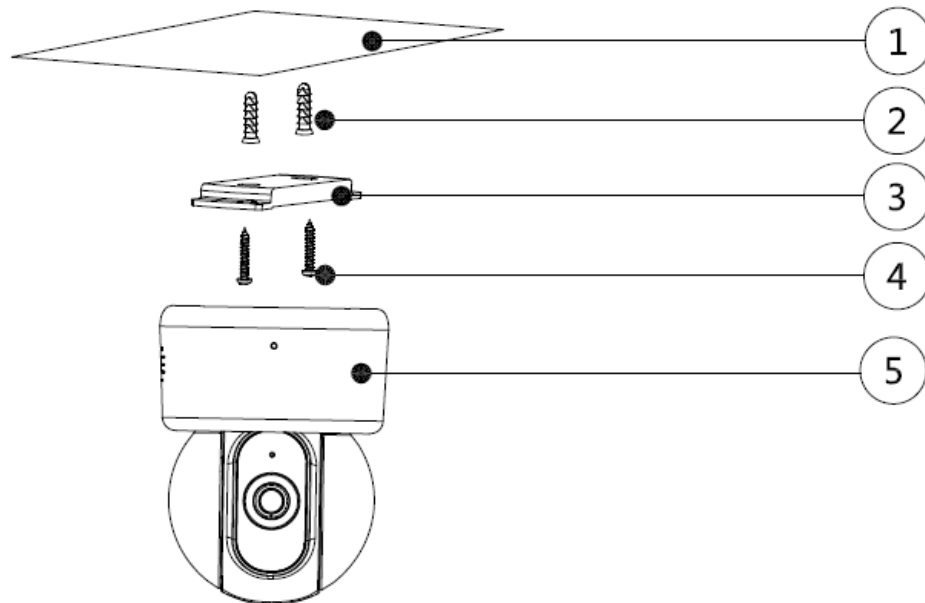


Figure 4-1

- Step 1 Dig holes on the proper mounting surface ① according to the hole sites of quick installation board.
- Step 2 Knock the expansion bolts ② into the holes.
- Step 3 Use self-tapping screws ④ to install quick installation board ③ and fix it well.
- Step 4 Connect to device power.
- Step 5 Adjust the device monitoring angle and stick the device ⑤ on the quick installation board.

Disclaimer

- This quick start guide is for reference only. Minor difference might be found in user interface.
- All the designs and software here are subject to change without prior written notice.
- All trademarks and registered trademarks mentioned are the properties of their respective owners.
- Please visit our website or contact your local service engineer for more information.
- If there is any uncertainty or controversy, please refer to our final explanation.



ZHEJIANG DAHUA VISION TECHNOLOGY CO., LTD.

Address: No.1199, Bin'an Road, Binjiang District, Hangzhou, P.R. China

Postcode: 310053

Tel: +86-571-87688883

Fax: +86-571-87688815

Email: consumer@global.dahuatech.com

Website: www.dahuaconsumer.com