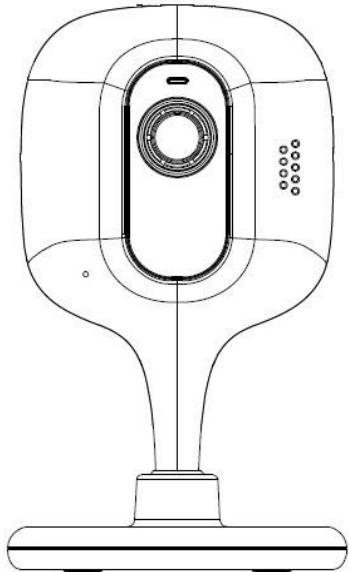


## **C Series Home Camera Quick Start Guide**

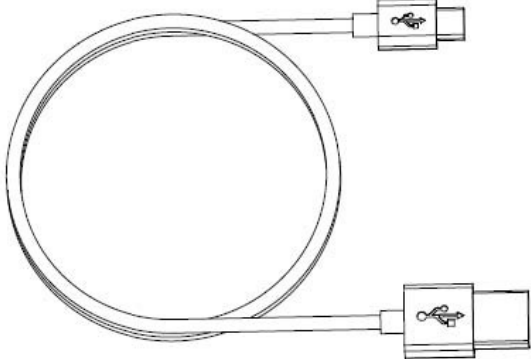
**V 1.0.0**

1 Packing List

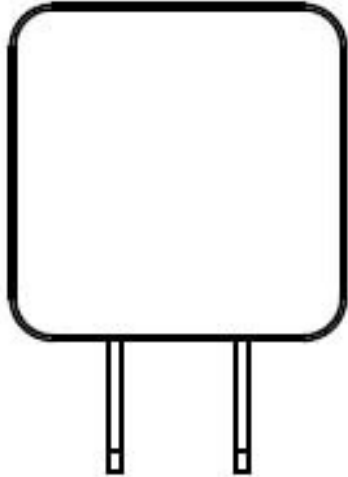


Power Adapter ×1

Device × 1  
USB × 1

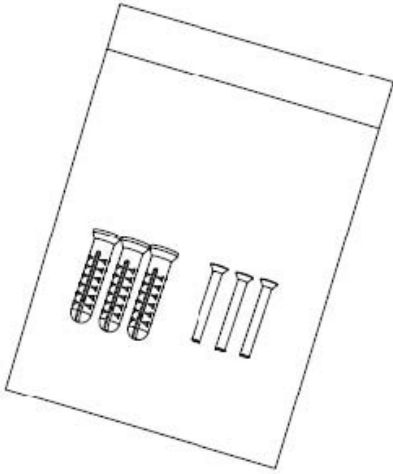
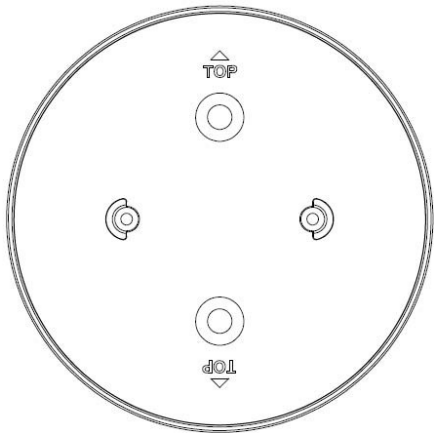
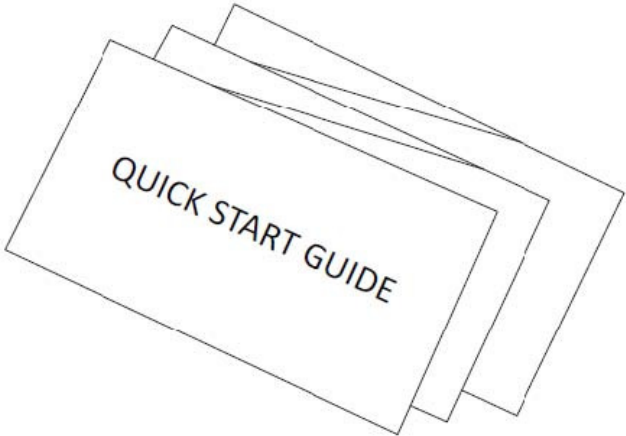


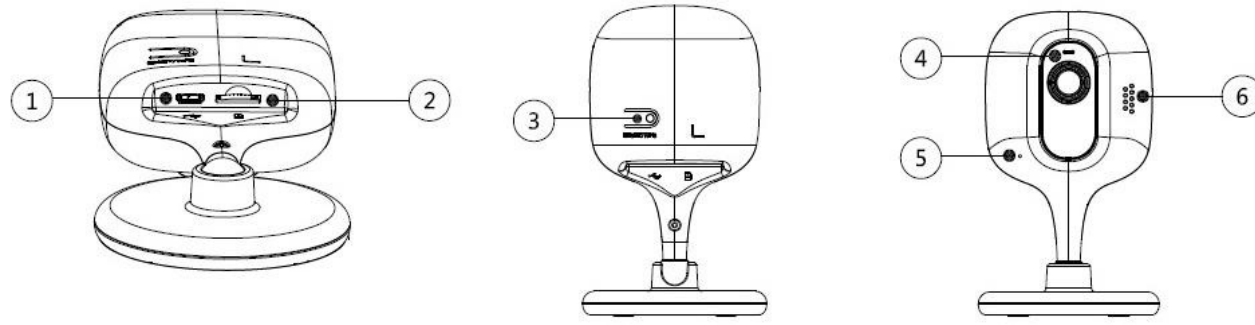
QSG ×1



Screw Package ×1

Quick Installation Board ×1





## 2 Product Appearance

Figure 2-1

Please refer to Table 2-1 for more details about each component.

SN	Indicator light status
1	Red light normally on
2	Green light slow flashing
3	Green light quick flashing
4	
5	
6	

Table 2-1

**Note:**

For reset, press for 8 seconds and then the light off; For WPS (Wi-Fi Protected Setup), one quick press. Please refer to Table 2-2 for more details about status of indicator light.

**Name**

- USB port
- Micro SD card slot
- Reset/ WPS (Wi-Fi Protected Setup) button
- LED Indicator light
- Microphone
- Speaker

**Device status**

- Device malfunction or booting
- Booting completed, await wifi config, enter smart config status;
- Wifi smart config in progress, including

refer for

long

Table 2-2

SN	Name	Device status
1	USB port	
2	Micro SD card slot	
3	Reset/ WPS (Wi-Fi Protected Setup) button	
4	LED Indicator light	
5	Microphone	
6	Speaker	
	<b>Indicator light status</b>	<b>Device status</b>
	Red light normally on	Device malfunction or booting
	Green light slow flashing	Booting completed, await wifi config, enter smart config status;
	Green light quick flashing	Wifi smart config in progress, including WPS (Wi-Fi Protected Setup), management frame and etc.
	Green light normally on	Wifi connection succeeded, operate normally.

### 3 Operate by EasyViewer

**Step 1**

Power on the camera.

**Step 2**

Connect iphone to a WiFi signal.

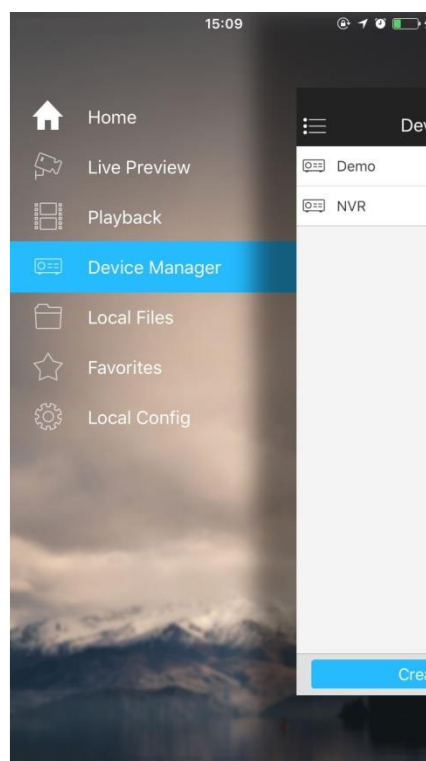
**Step 3**

Open EasyViewer (downloaded from APP Store), choose Device Manager.

Figure 3-1

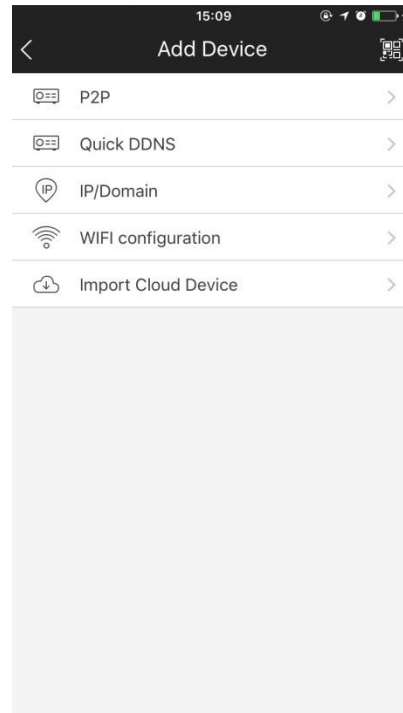
**Step 4**

Please select "P2P" when the network "WiFi configuration" for wireless example of wireless connection.



cable is connected, select connection. Here is an

Figure 3-2  
**Step 5**  
Input a device name and scan the QR



code on camera, then "next".

Figure 3-3  
**Step 6**  
Input the WiFi password, then "next".

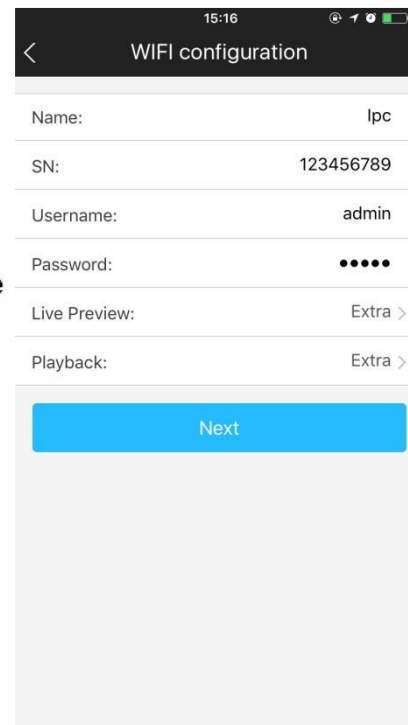
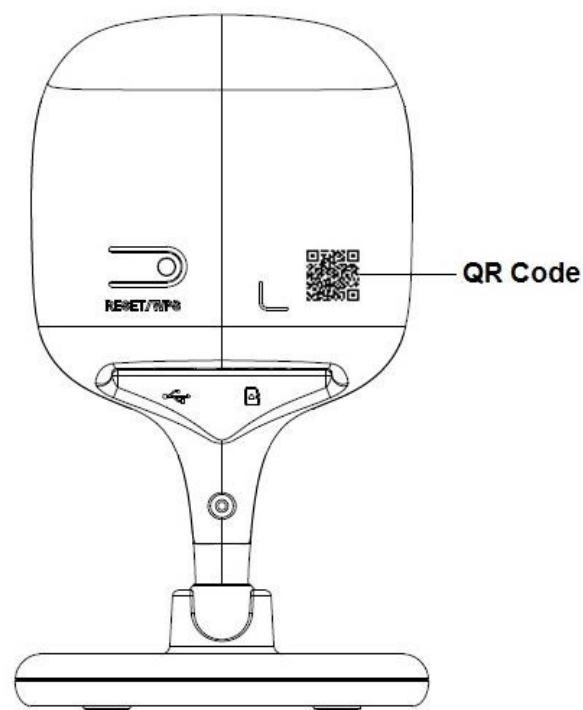


Figure 3-4

Figure 3-5  
Step 7  
Connection succeeds.

Figure 3-6  
Figure 3-8  
**Note:**  
Please try again or check the WiFi  
The WiFi configuration will be closed if  
Protected Setup) function, please reset  
configure WiFi via EasyViewer.

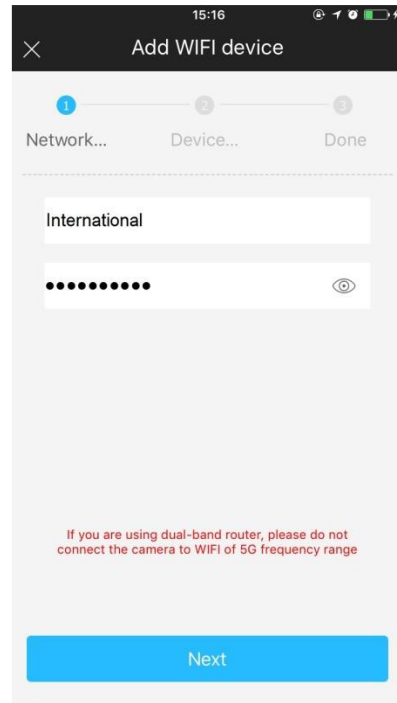
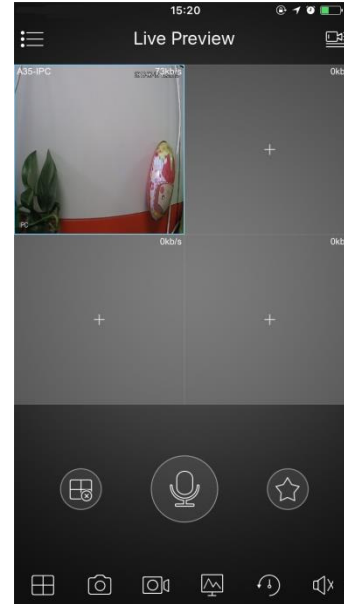
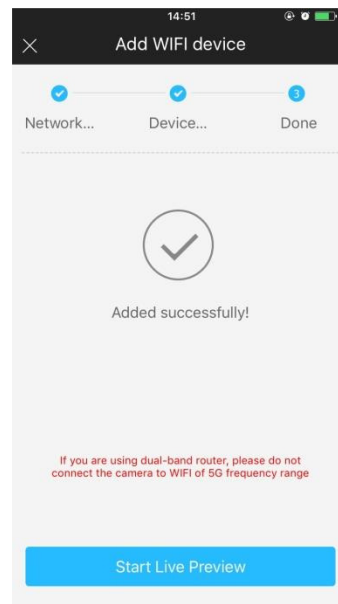
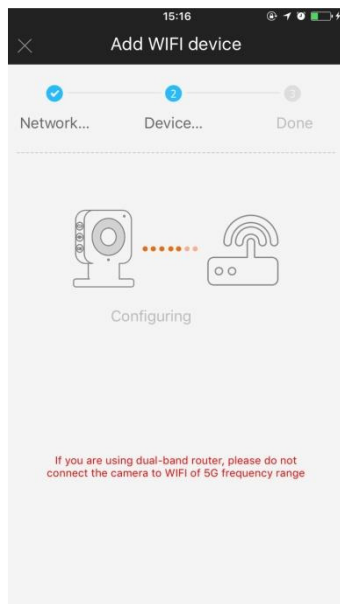


Figure 3-7

password if it failed.  
activating WPS (Wi-Fi  
the device if you still need to



## 4 Device Installation

### Note

- The following figure is for reference only, please refer to the actual device for more details.
- Make sure the installation surface can at least support 3x weight of the camera and bracket. .

Figure 4-1

The device can adopt two types of installation modes which are wall mount and pendant, the exact installation steps are shown as follows:

Step 1

Dig holes on the proper installation surface according to the hole sites on the quick installation board.

Step 2

Knock the expansion bolts into the holes.

Step 3

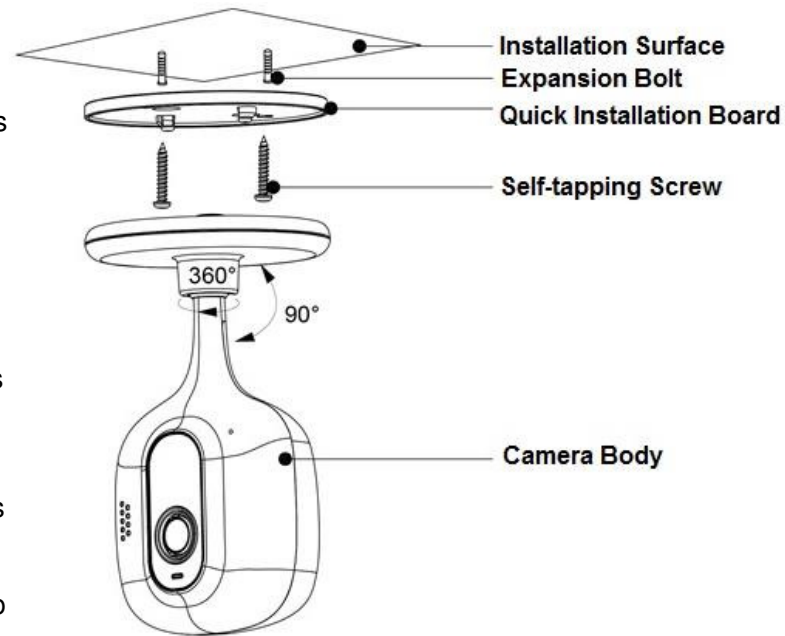
Use self-tapping screws to fix the quick installation board well.

Step 4

Connect to device power.

Step 5

Adjust the monitoring angle and stick the device on the quick installation board.



**Note:**

- **This quick start guide is for reference only. Slight difference may be found in user interface.**
- **All the designs and software here are subject to change without prior written notice.**
- **All trademarks and registered trademarks mentioned are the properties of their respective owners.**
- **If there is any uncertainty or controversy, please refer to the final explanation of us.**
- **Please visit our website or contact your local service engineer for more information.**

This device complies with Part 15 of the FCC Rules. Operation is subject to the following two conditions:  
(1) This device may not cause harmful interference, and  
(2) This device must accept any interference received, including interference that may cause undesired operation.

Attention that changes or modification not expressly approved by the party responsible for compliance could void the user's authority to operate the equipment.

Note: This product has been tested and found to comply with the limits for a Class B digital device, pursuant to Part 15 of the FCC Rules. These limits are designed to provide reasonable protection against harmful interference in a residential installation. This product generates, uses, and can radiate radio frequency energy and, if not installed and used in accordance with the instructions, may cause harmful interference to radio communications. However, there is no guarantee that interference will not occur in a particular installation. If this product does cause harmful interference to radio or television reception, which can be determined by turning the equipment off and on, the user is encouraged to try to correct the interference by one or more of the following measures:

- Reorient or relocate the receiving antenna.
- Increase the separation between the equipment and receiver.
- Connect the equipment into an outlet on a circuit different from that to which the receiver is connected.
- Consult the dealer or an experienced radio/TV technician for help.

This equipment should be installed and operated with a minimum distance 20cm between the radiator and your body.