

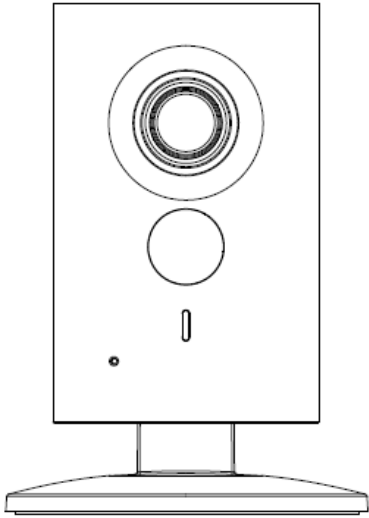


Dahua C Series Home Camera Quick Start Guide

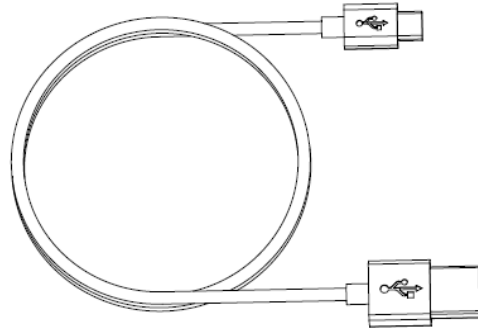
V 1.0.5

ZHEJIANG DAHUA VISION TECHNOLOGY CO., LTD.

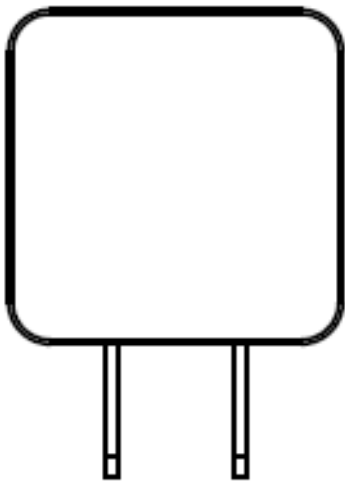
1 Packing List



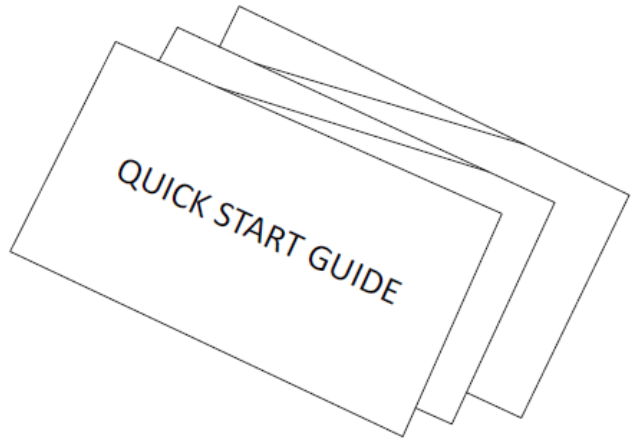
Device x 1



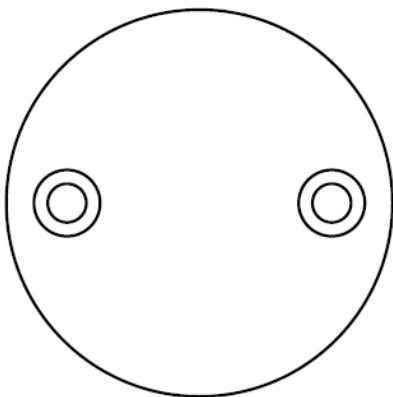
USB x1



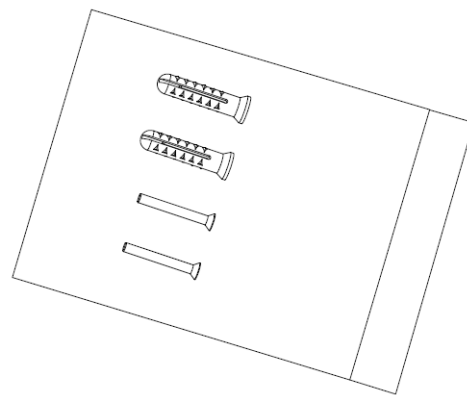
Power Adapter x1



QSG x1



Iron Plate (for magnetic installation) x1



Screw Package x1

2 Product Appearance

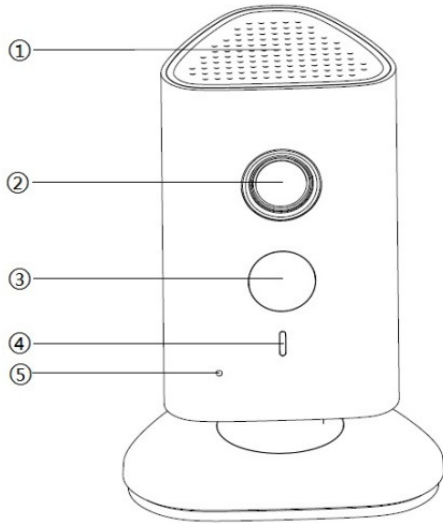


Figure 2-1

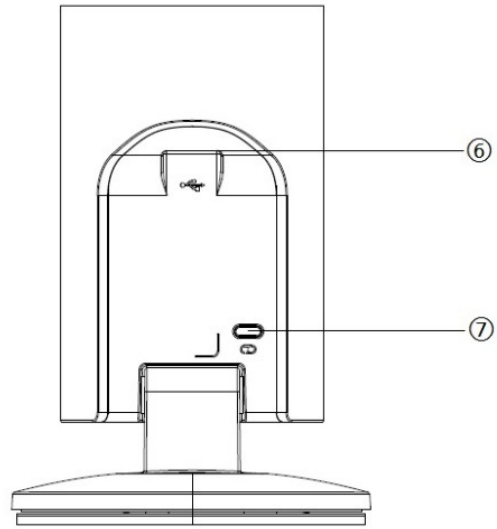


Figure 2-2

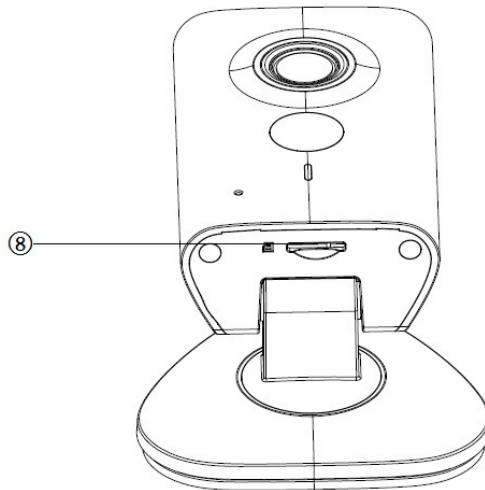


Figure 2-3

The following table shows more information about each component.

No.	Component Name
1	Speaker
2	Lens
3	IR (Infrared Ray) LED
4	Indicator light
5	Microphone
6	USB power slot
7	Reset/ WPS (Wi-Fi-Protected Setup) button
8	Micro SD card slot

Table 2-1**Note**

To reset, long press for 8 seconds till the light is off; to enable WPS, just press the button.

The following table shows more information about status of indicator light.

Indicator light status	Device status
Red light stably on	Booting
Slowly flashing green	<ul style="list-style-type: none">• Booting completed.• Waiting for Wi-Fi configuration.• Entering smart configuration status.
Quickly flashing green	Wi-Fi smart configuration in progress, including WPS (Wi-Fi–Protected Setup), management frame.
Green light stably on	<ul style="list-style-type: none">• Wi-Fi connection succeeded.• Operate normally.
Alternately flashing red and green	Device upgrade.
Slowly flashing red	Network connection failure.
Quickly flashing red	<ul style="list-style-type: none">• Device failure to boot up.• Alarm or Micro SD card does not work.

Table 2-2

3 Operation by Easy4ip App

To operate the device from your smart phone, do the following:

1. Power on the device with power adapter **connected**.
2. Connect your smart phone to your Wi-Fi network, **and then** scan the “Easy4ip” **Quick Recognition (QR)** on the packing box **to** download and install the Easy4ip **App**.
3. Open Easy4ip **App** (take **iOS** as an example), **type user name and password** and then tap **Login** to log on to the **App**, see Figure 3-1. **Please register an account for first use.**

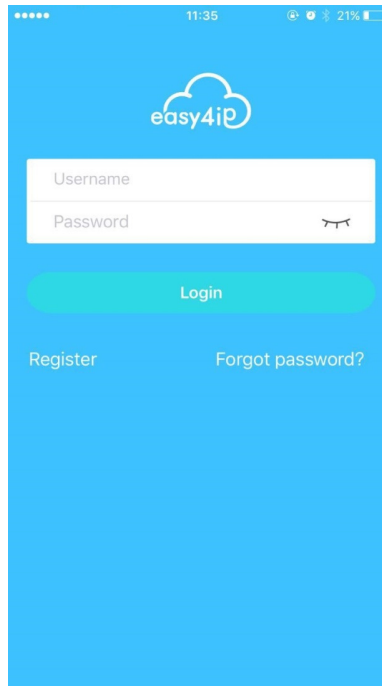


Figure 3-1

4. Tap “+” **button** to add new devices after you **logged in**, see Figure 3-2.

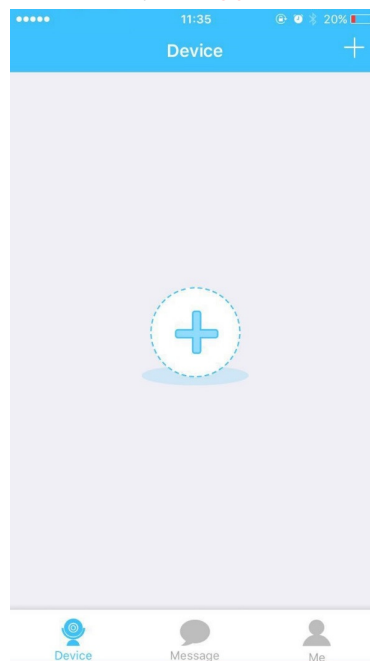


Figure 3-2

5. Scan the QR code on the back of the device to get the SN (Serial number). You can also tap **Continue without scanning** and manually input the SN on the next screen.

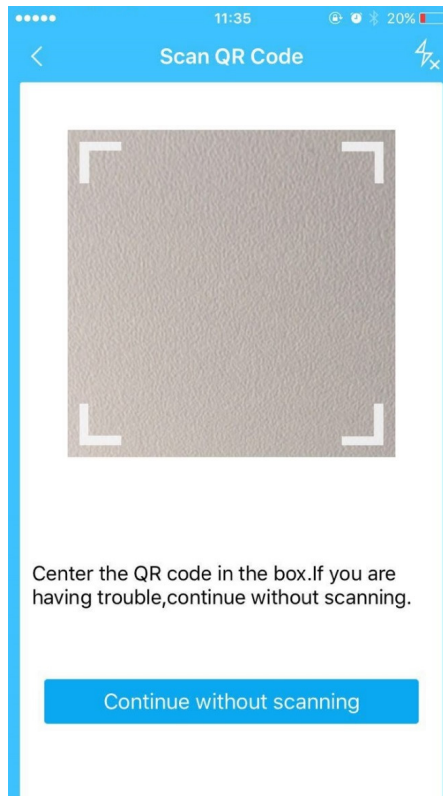


Figure 3-3

6. Type the user name and password of the added device (both are **admin** by default).

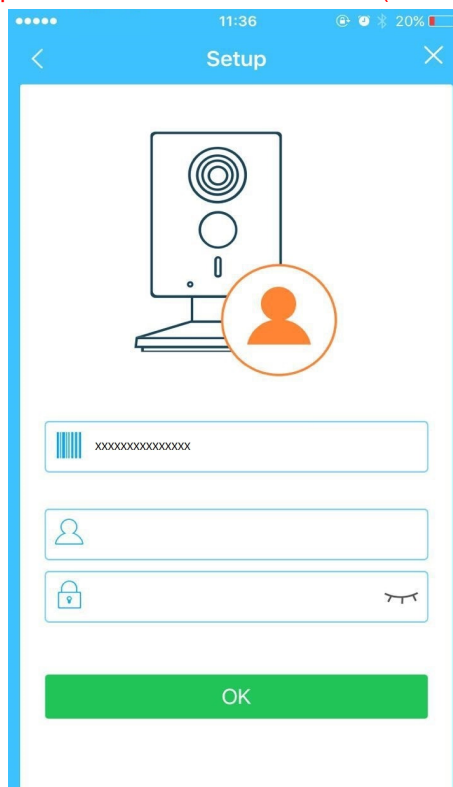


Figure 3-4

7. Tap **Yes, config Wi-Fi** and type your Wi-Fi password, and then tap **Next**.

Note

During the Wi-Fi connecting process, please keep your smartphone and the camera within 30 cm.

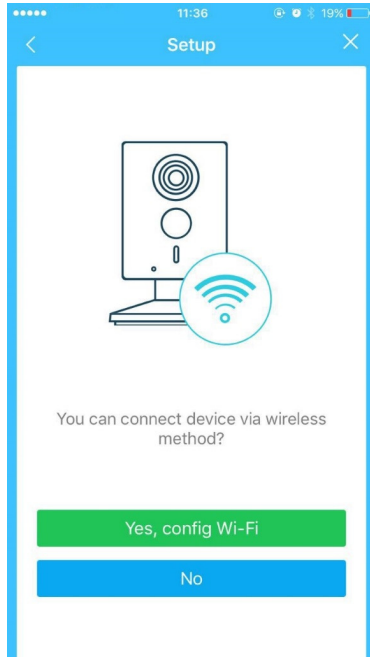


Figure 3-5



Figure 3-6

8. The device will be added to your account, see figure 3-7.

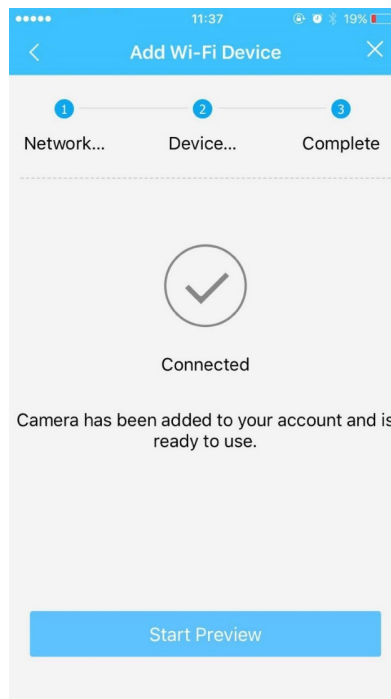


Figure 3-7

Note

- If you have more devices, please follow step 4 to step 8 to add one by one.
- If you want to change the Wi-Fi signal, please reset the camera to factory default and repeat step 4 to step 8 to add the device.

4 Device Installation

Note

Before installation, please make sure the installation environments can at least support 3x weight of the device.

4.1 Non-metal Surface

To install the device on the non-metal surface, do the following:

1. Fix the metal plate with screws.
2. Stick the camera onto the metal plate.

4.2 Metal Surface

To install the device on the non-metal surface, directly stick the camera onto the metal surface.

Disclaimer

- This quick start guide is for reference only. **Minor** difference **might** be found in user interface.
- All the designs and software here are subject to change without prior written notice.
- All trademarks and registered trademarks mentioned are the properties of their respective owners.
- Please visit our website or contact your local service engineer for more information.
- **If there is any uncertainty or controversy, please refer to our final explanation.**

5

- This device complies with Part 15 of the FCC Rules. Operation is subject to the following two conditions:
 - (1) This device may not cause harmful interference, and
 - (2) This device must accept any interference received, including interference that may cause undesired operation.
-
- Attention that changes or modification not expressly approved by the party responsible for compliance could void the user's authority to operate the equipment.
-
- Note: This product has been tested and found to comply with the limits for a Class B digital device, pursuant to Part 15 of the FCC Rules. These limits are designed to provide reasonable protection against harmful interference in a residential installation. This product generates, uses, and can radiate radio frequency energy and, if not installed and used in accordance with the instructions, may cause harmful interference to radio communications. However, there is no guarantee that interference will not occur in a particular installation. If this product does cause harmful interference to radio or television reception, which can be determined by turning the equipment off and on, the user is encouraged to try to correct the interference by one or more of the following measures:
 - —Reorient or relocate the receiving antenna.
 - —Increase the separation between the equipment and receiver.
 - —Connect the equipment into an outlet on a circuit different from that to which the receiver is connected.
 - —Consult the dealer or an experienced radio/TV technician for help.
-
- This equipment should be installed and operated with a minimum distance 20cm between the radiator and your body



ZHEJIANG DAHUA VISION TECHNOLOGY CO., LTD.

Address: No.1199, Bin'an Road, Binjiang District, Hangzhou, P.R. China

Postcode: 310053

Tel: +86-571-87688883

Fax: +86-571-87688815

Email: overseas@dahuatech.com

Website: www.dahuasecurity.com