

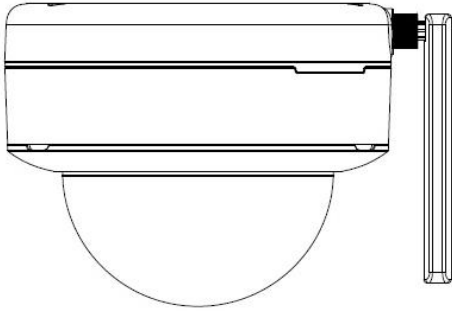


# **Dahua Dome Wi-Fi Camera Quick Start Guide**

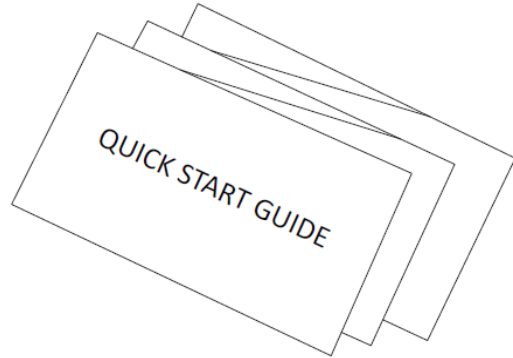
**Version 1.0.0**

**ZHEJIANG DAHUA VISION TECHNOLOGY CO., LTD.**

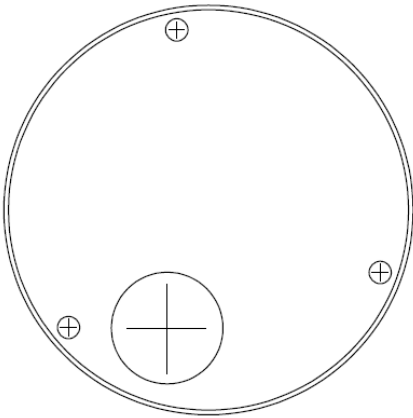
## 1 Packing List



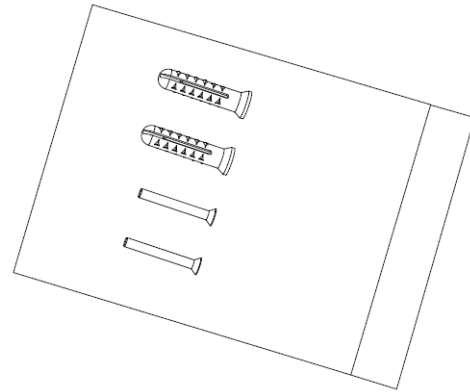
Device × 1



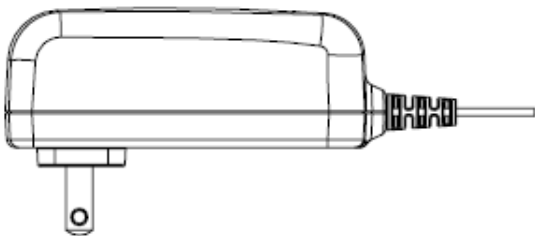
QSG × 1



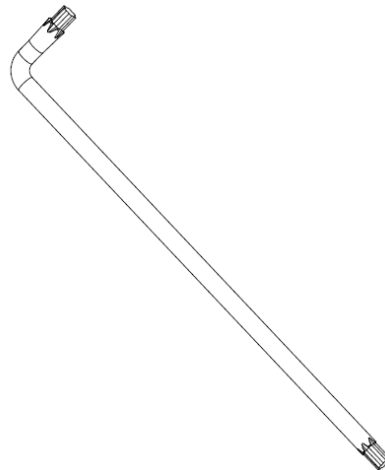
Installation Position Map × 1



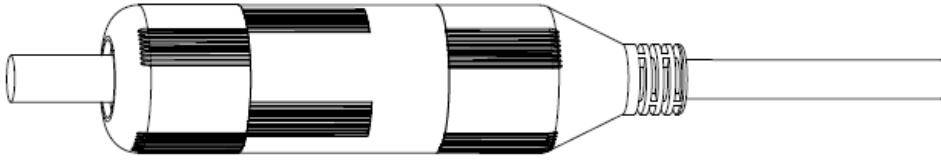
Screw Package × 1



Power Adapter × 1



Wrench × 1



Waterproof Connector × 1

## 2 Product Appearance

Please refer to Figure 2-1 for the device port.

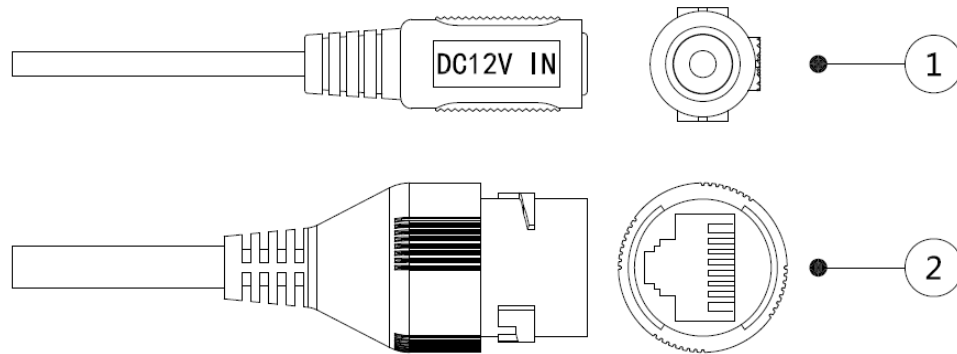


Figure 2-1

Please refer to the following table for more details about each port.

SN	Name
	Power port
	Network port

Table 2-1

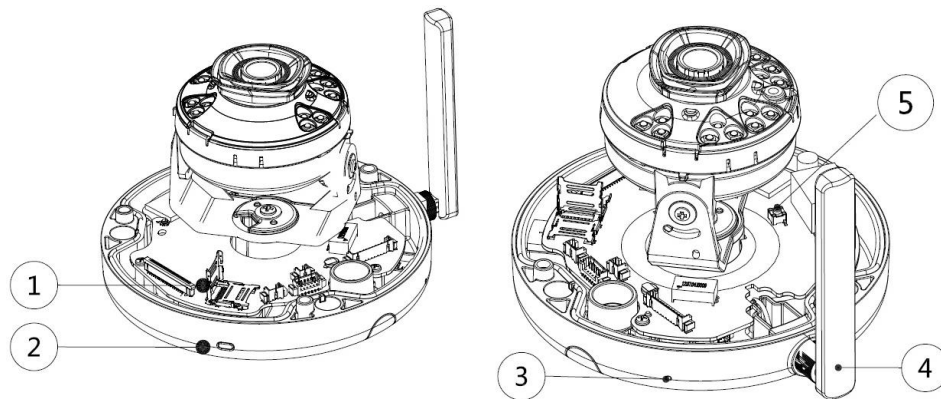


Figure 2-2

Please refer to the following table for more details about each component.

SN	Name
①	SD card slot
②	Indicator light
③	MIC
④	Antenna
⑤	WPS/Reset

Table 2-2

## Note

For reset, long press for 8 seconds and then the light off; For WPS (Wi-Fi Protected Setup), one quick press.

Please refer to the following table for more details about status of indicator light.

Indicator light status	Device status
Red light stably on	Booting
Green light slow flashing	Booting completed, await Wi-Fi config, enter smart config status;
Green light quick flashing	WPS connecting (The device is trying to connect to Wi-Fi via WPS)
Green light stably on	Wi-Fi connection succeeded, operate normally.
Red and green lights flash alternately	Device upgrade
Red light slow flashing	Network disconnection
Red light quick flashing	Device fail to boot up; SD card does not work

Figure 2-3

### 3 Operation by Easy4ip App

- Step 1 Power on your camera with power adapter.
- Step 2 Connect your smartphone to your Wi-Fi network, scan “**Easy4ip**” QR on the packing box, download and install “**Easy4ip**” APP.
- Step 3 Open Easy4ip APP (take iOS version as an example), see Figure 3-1. Please register an account for first use.

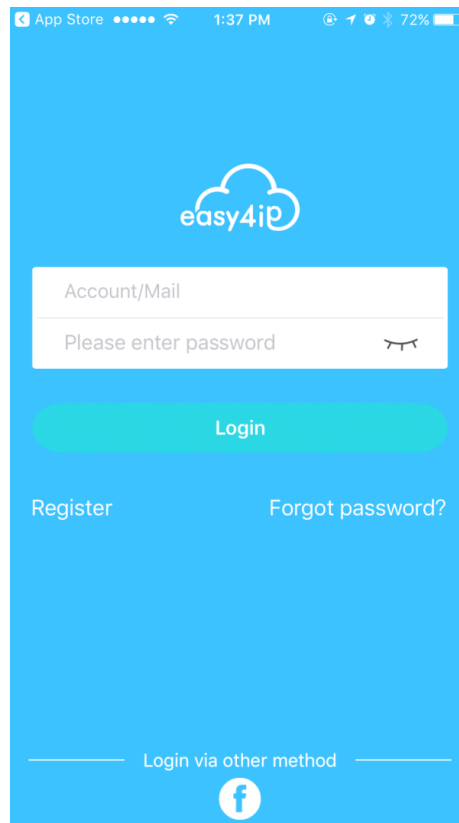


Figure 3-1

- Step 4 Please tap “+” to add new devices after you login your account.

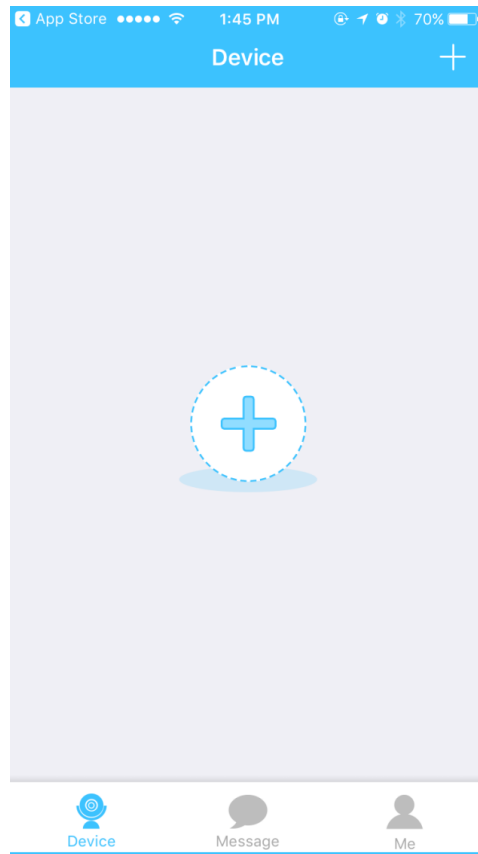


Figure 3-2

**Step 5** Scan the QR code on the back of the camera to get the SN, you can also tap **“Manually enter the SN”** and manually input the SN number on the next page. Then tap **“Next”**.

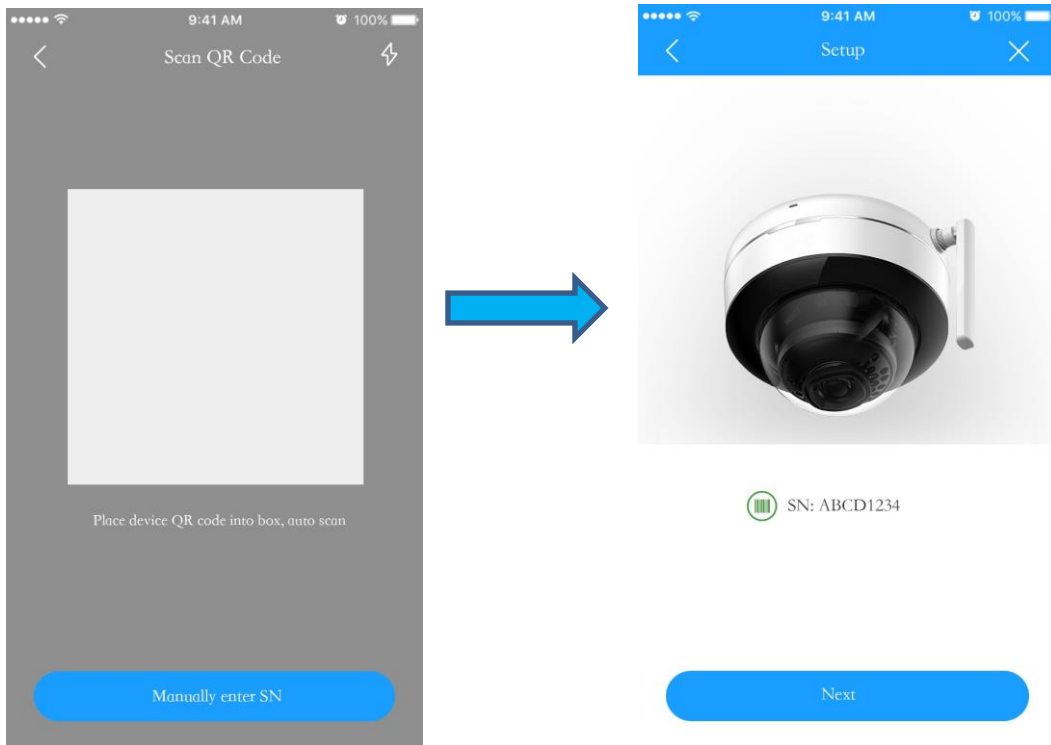


Figure 3-3

**Step 6** Select **“Yes, go to Wi-Fi settings”** and make sure your smartphone is connected to the same Wi-Fi, then tap **“Next”**.

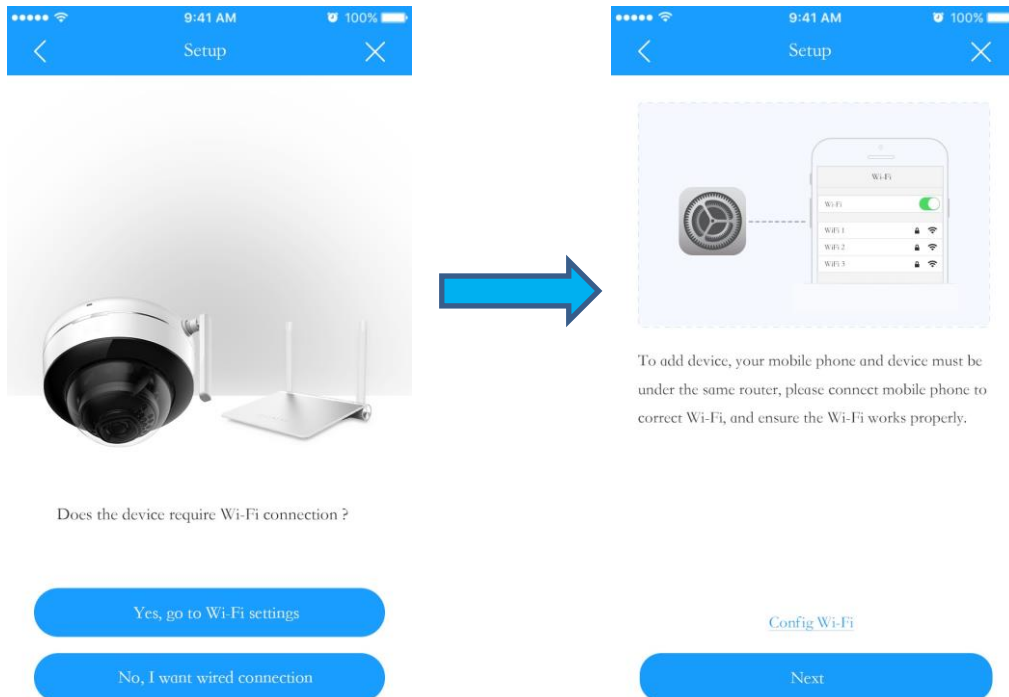


Figure 3-4

**Step 7** Fill in the password of your Wi-Fi, then tap **“Next”**.

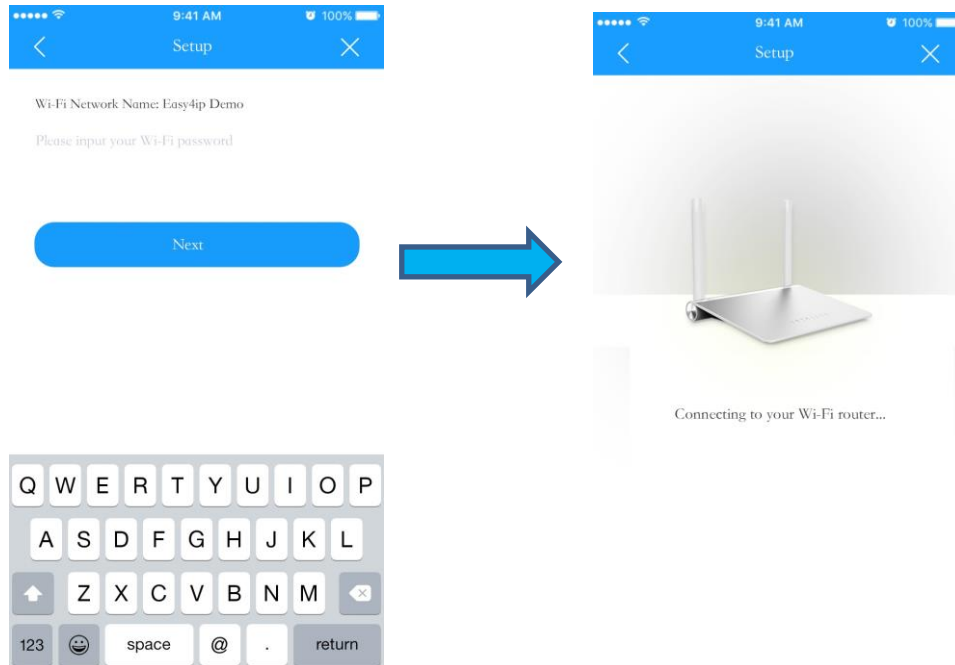


Figure 3-5

**Step 8** Input your device password, the default password is **“admin”**.



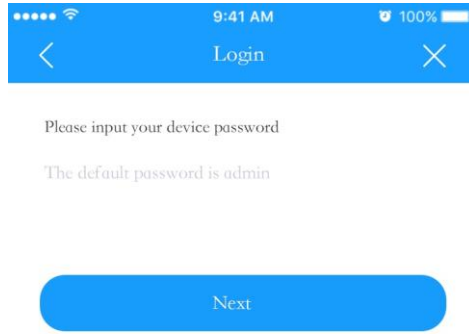


Figure 3-6

**Step 9** Your camera is successfully added. You can set up your time zone and start preview.

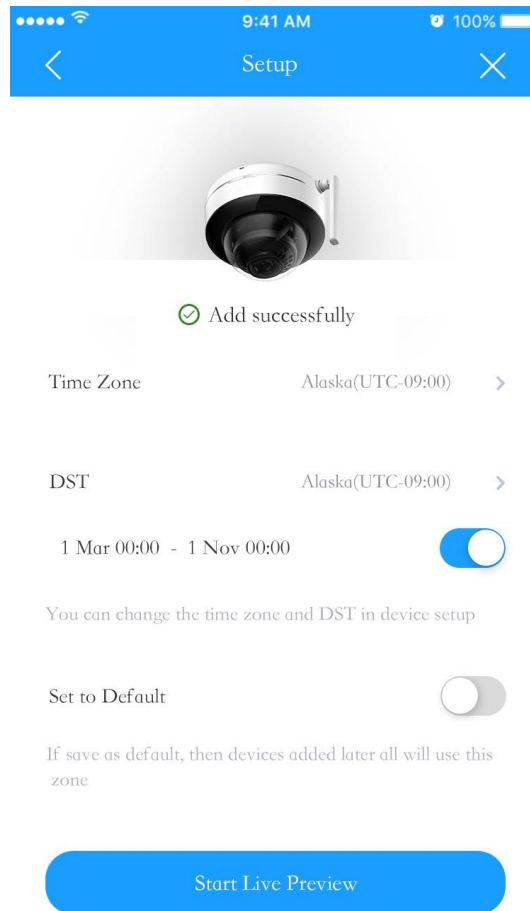


Figure 3-7

### Note

- If you have more cameras, please follow steps 4-9 to add them one by one.
- If you want to change the Wi-Fi signal, please reset the camera to factory default and repeat steps 4-9 to add the device.

## 4 Device Installation

### Note

Please make sure the installation surface can min support the 3X weight of the camera and the bracket.

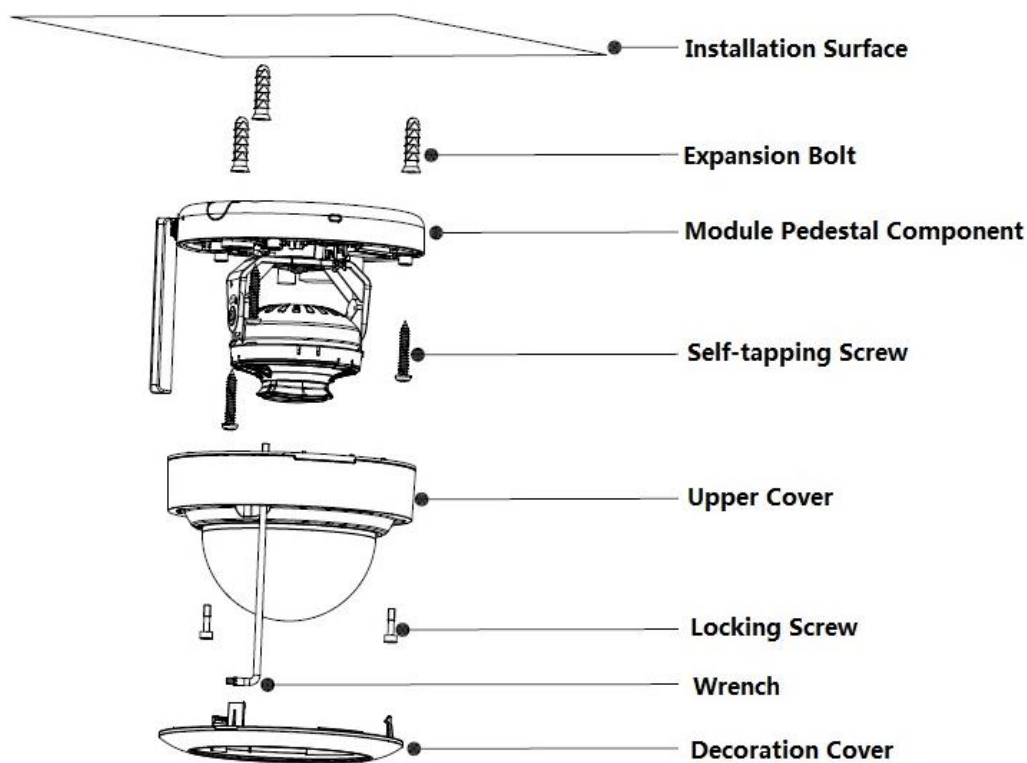


Figure 4-1

- Step 1** Use inner hex wrench in the accessories bag to open dome enclosure by unfastening locking screws on enclosure.
- Step 2** Please take out the installation position map in the accessories bag, and then paste it on the ceiling or the wall according to your monitor area requirements.
- Step 3** Find cross signs on the map, and dig three expansion bolts holes on the installation surface and then insert three expansion bolts in the holes. Secure these three bolts firmly.

### Note

- If user pulls out cable from top of installation surface, you must dig an exit hole on installation surface according to the installation position map.
- If user pulls out cable from side of cable channel, it must go through the U-shape channel on dome pedestal, and take out cable from the side exit hole on pedestal.

- Step 4** Adjust the device installation pedestal to the proper position and then pull cable through the exit hole on Installation surface. Make direction of TOP sign same as it on installation position map. Line up the three screw holes in the device pedestal to the three plastic expansion bolt holes in the installation position. Put



## Dahua Dome Wi-Fi Camera Quick Start Guide

the three self-tapping screws in the three plastic expansion bolts firmly. Fix dome body on installation surface.

**Step 5** Hold both sides of the rotation bracket bottom with hands, rotate horizontally along the axis, and adjust lens horizontal direction to designated position. Hold the LED decoration cover with hand, rotate along the vertical direction, adjust the lens vertical direction to designated position; it is okay to loosen the fix screws on both sides of the bracket first if it is too tight to adjust (just make it loose, do not take it down), then adjust the lens, tighten the fix screws after adjustment. Hold the LED decoration cover with hands, rotate horizontally along the axis, and adjust the lens image to designated position. Range of lens: vertical ( $0^{\circ} \sim +64^{\circ}$  ), horizontal ( $0^{\circ} \sim +355^{\circ}$  ), image rotation direction ( $0^{\circ} \sim +355^{\circ}$  ).

### Note

When it rotates to  $64^{\circ}$  vertically, please pay attention to the image rotation direction in order to avoid the outer cover blocking IR light and influencing IR effect.

## Disclaimer

- This quick start guide is for reference only. Minor difference might be found in user interface.
- All the designs and software here are subject to change without prior written notice.
- All trademarks and registered trademarks mentioned are the properties of their respective owners.
- Please visit our website or contact your local service engineer for more information.
- If there is any uncertainty or controversy, please refer to our final explanation.



## Dahua Dome Wi-Fi Camera Quick Start Guide

This device complies with Part 15 of the FCC Rules. Operation is subject to the following two conditions:

- (1) This device may not cause harmful interference, and
- (2) This device must accept any interference received, including interference that may cause undesired operation.

Attention that changes or modification not expressly approved by the party responsible for compliance could void the user's authority to operate the equipment.

Note: This product has been tested and found to comply with the limits for a Class B digital device, pursuant to Part 15 of the FCC Rules. These limits are designed to provide reasonable protection against harmful interference in a residential installation. This product generates, uses, and can radiate radio frequency energy and, if not installed and used in accordance with the instructions, may cause harmful interference to radio communications. However, there is no guarantee that interference will not occur in a particular installation. If this product does cause harmful interference to radio or television reception, which can be determined by turning the equipment off and on, the user is encouraged to try to correct the interference by one or more of the following measures:

- Reorient or relocate the receiving antenna.
- Increase the separation between the equipment and receiver.
- Connect the equipment into an outlet on a circuit different from that to which the receiver is connected.
- Consult the dealer or an experienced radio/TV technician for help.

This equipment should be installed and operated with a minimum distance 20cm between the radiator and your body

ZHEJIANG DAHUA VISION TECHNOLOGY CO., LTD.

Address: No.1199, Bin'an Road, Binjiang District, Hangzhou, P.R. China

Postcode: 310053

Tel: +86-571-87688883

Fax: +86-571-87688815

Email: [consumer@global.dahuatech.com](mailto:consumer@global.dahuatech.com)

Website: [www.dahuaconsumer.com](http://www.dahuaconsumer.com)