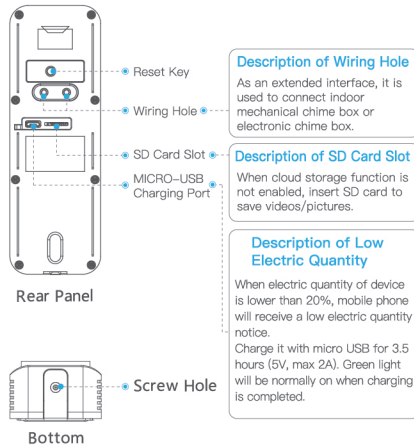
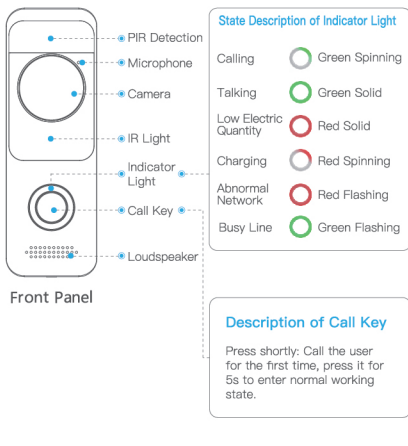


01 Product Introduction

- 1 Check whether device appearance owns obvious damages.
- 2 Check whether standard accessories supplied with the device are complete. Packing list is shown on the front cover.



02 Add Device

Please ensure that your mobile phone has connected with Wi-Fi.

Step 1: Download and log onto APP

Ensure that mobile phone has connected with Wi-Fi, scan QR code below or search "Easy4ip" in APP market, download and log onto APP.



This document takes IOS system as an example and explains operations.

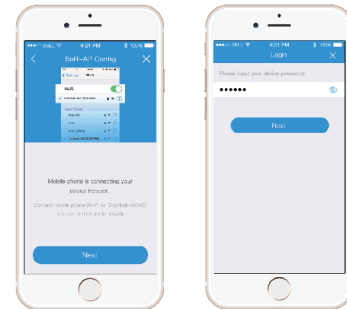
Step 2: Add Device

For the first time, press Call Key for 5s to enter normal working state.

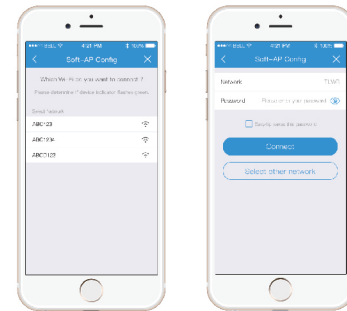
- 1 At device list interface, press + to enter "QR Code Scanning" interface.
- 2 Scan QR code on the device or package; Or press [Input serial number manually], input serial number of the device manually, and press [Next].
- 3 Choose device type as "Doorbell".
- 4 Press Reset Key on the rear panel of the device. In case of green spinning light, it means that device hotspot is on.
- 5 On APP interface, press [Next].



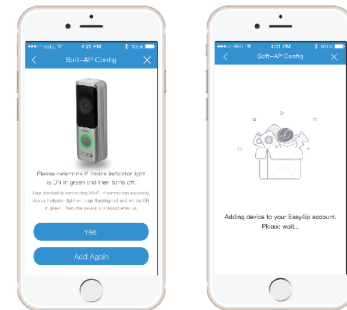
- 6 Connect mobile phone Wi-Fi with device hotspot. Hotspot Wi-Fi name is Doorbell- device serial number.
- 7 On APP interface, press [Next].
- 8 Input device password (default password is admin) and press [Next].



- 9 Choose the Wi-Fi network, input Wi-Fi network password and press [Connect].



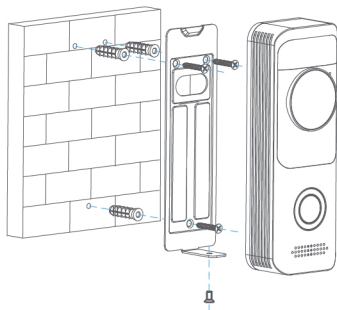
- 10 Please determine if device indicator light is green ON and then turns off. If the answer is yes, it means that the connection is successful. Press [Yes] to add the device to APP. If the indicator light doesn't turn on, press [Add again], repeat above steps to add it again.



03 Product Installation

Please configure the device before installation.

- 1 Loosen M3x6 screws at the bottom of the device, and dismantle the installation bracket from the device.
- 2 Drill holes in the wall according to hole positions of installation bracket, and install a plastic expansion pipe.
- 3 Fix the bracket onto the wall with three ST3x20 self-tapping screws.
- 4 Connect cables.
To connect existing mechanical/electronic doorbells at home, connect cables according to the user's manual. Otherwise, it is unnecessary to connect cables.
- 5 Put the device into the slot at the top of the bracket from top to bottom.
- 6 Fix the device onto the bracket with M3x6 screws.



04 FAQ

Try to solve your problems here quickly

▶ How to restore default settings?

Please press Reset Key for 5s to restore default settings. After completion, green light will be on for 3s and then turn off; the device will reboot automatically and restore default settings.

▶ The device cannot work normally?

Please restore default settings of the device, and configure the device again.

▶ How to enter wireless configuration mode?

Please press Reset Key on the rear panel of the device shortly, until the indicator light turns to be green circular light, it means that hotspot has been enabled.

▶ The device is not online?

Please check the state of device indicator light. If red light flickers all the time, it means that the device fails to connect the network. Please check whether wireless router can connect the network; connect your mobile phone with this wireless network, in order to test it. If it can connect the network, please configure the device again.

▶ Connection is overtime?

- a. The device, mobile phone and router are too far away. Please ensure that the distance is within 10cm.
- b. The device starts configuration without reminder of waiting to connect the network.

▶ The device doesn't respond?

Please confirm electric quantity of the device. In case of low electric quantity, please charge.

05 Important Safeguards and Warnings

The following description is the correct application method of the device. Please read the manual carefully before use, in order to prevent danger and property loss. Strictly conform to the manual during application and keep it properly after reading.



Caution

- ◆ Please don't place and install the device in an area exposed to direct sunlight or near heat generating device.
- ◆ Please don't install the device in a humid, dusty or fuliginous area.
- ◆ Please keep its horizontal installation, or install it at stable places, and prevent it from falling.
- ◆ Please don't drip or splash liquids onto the device; don't put on the device anything filled with liquids, in order to prevent liquids from flowing into the device.
- ◆ Please install the device at well-ventilated places; don't block its ventilation opening.
- ◆ Use the device only within rated input and output range.
- ◆ Please don't dismantle the device arbitrarily.
- ◆ Please transport, use and store the device within allowed humidity and temperature range.
- ◆ Products with category I structure shall be connected to grid power output socket, which is equipped with protective grounding.

Special Statement

- ◆ This document is for reference only. Please refer to the actual product for more details.
- ◆ The user's manual and program will be updated in a real-time way according to the product, which won't be further notified.
- ◆ The user shall undertake any losses resulting from violation of guidance in the document.
- ◆ The document may include technically inaccurate contents, inconsistencies with product functions and operations, or misprint. Final explanations of the company shall prevail.
- ◆ This device complies with Part 15 of the FCC Rules. Operation is subject to the following two conditions:
 - (1) This device may not cause harmful interference, and
 - (2) This device must accept any interference received, including interference that may cause undesired operation.



Caution

The user is cautioned that changes or modifications not expressly approved by the party responsible for compliance could void the user's authority to operate the equipment.

Note:

This equipment has been tested and found to comply with the limits for a Class B digital device, pursuant to part 15 of the FCC Rules. These limits are designed to provide reasonable protection against harmful interference in a residential installation. This equipment generates, uses and can radiate radio frequency energy and, if not installed and used in accordance with the instructions, may cause harmful interference to radio communications. However, there is no guarantee that interference will not occur in a particular installation. If this equipment does cause harmful interference to radio or television reception, which can be determined by turning the equipment off and on, the user is encouraged to try to correct the interference by one or more of the following measures:

- ◆ Reorient or relocate the receiving antenna.
- ◆ Increase the separation between the equipment and receiver.
- ◆ Connect the equipment into an outlet on a circuit different from that to which the receiver is connected.
- ◆ Consult the dealer or an experienced radio/TV technician for help.

FCC RF Radiation Exposure Statement:

This equipment complies with FCC radiation exposure limits set forth for an uncontrolled environment. This equipment should be installed and operated with a minimum distance of 20cm between the radiator and any part of your body.

Quick Start Guide Video Doorbell

Packing List: ◆Video Doorbell ◆Quick Start Guide ◆Installation Accessories Package

NO.1.2.51.32.12668-001 V1.0.3