

Dahua HD IR Vandal Proof Network Dome Camera

User's Manual

Version 1.2.1

Zhejiang Dahua Technology CO., LTD.

Welcome

Thank you for purchasing our Network camera!

This user's manual is designed to be a reference tool for your system.

Please read the following safeguard and warnings carefully before you use this series product!

Please keep this user's manual well for future reference!

Important Safeguards and Warnings

1 . Electrical safety

All installation and operation here should conform to your local electrical safety codes.

The power shall conform to the requirement in the SELV (Safety Extra Low Voltage) and the Limited power source is rated 12V DC or 24V AC in the IEC60950-1. (Refer to general introduction)

Please note: Do not connect two power supplying sources to the device at the same time; it may result in device damage! The product must be grounded to reduce the risk of electronic shock.

We assume no liability or responsibility for all the fires or electrical shock caused by improper handling or installation.

We are not liable for any problems caused by unauthorized modification or attempted repair.

2 . Transportation security

Heavy stress, violent vibration or water splash are not allowed during transportation, storage and installation.

3 . Installation

Do not apply power to the camera before completing installation.

Please install the proper power cut-off device during the installation connection.

Always follow the instruction guide the manufacturer recommended.

4 . Qualified engineers needed

All the examination and repair work should be done by the qualified service engineers.

We are not liable for any problems caused by unauthorized modifications or attempted repair.

5 . Environment

This series network camera should be installed in a cool, dry place away from direct sunlight, inflammable, explosive substances and etc.

Please keep it away from the electromagnetic radiation object and environment.

Please make sure the CCD (CMOS) component is out of the radiation of the laser beam device.

Otherwise it may result in CCD (CMOS) optical component damage.

Please keep the sound ventilation.

Do not allow the water and other liquid falling into the camera.

Thunder-proof device is recommended to be adopted to better prevent thunder.

The grounding studs of the product are recommended to be grounded to further enhance the reliability of the camera.

6. Daily Maintenance

Please shut down the device and then unplug the power cable before you begin daily maintenance work.

Do not touch the CCD (CMOS) optic component. You can use the blower to clean the dust on the lens surface.

Always use the dry soft cloth to clean the device. If there is too much dust, please use the water to dilute the mild detergent first and then use it to clean the device. Finally use the dry cloth to clean the device.

Please put the dustproof cap to protect the CCD (CMOS) component when you do not use the camera. Dome enclosure is the optical component, do not touch the enclosure when you are installing the device or clean the enclosure when you are doing maintenance work. Please use professional optical clean method to clean the enclosure. Improper enclosure clean method (such as use cloth) may result in poor IR effect of camera with IR function.

7. Accessories

Be sure to use all the accessories recommended by manufacturer.

Before installation, please open the package and check all the components are included.

Contact your local retailer ASAP if something is broken in your package.

Accessory Name	Amount
Network Camera Unit	1
Quick Start Guide	1
Installation Accessories Bag	1
CD	1

Table of Contents

1	General Introduction	1
1.1	Overview	1
1.2	Features	1
1.3	Specifications	2
2	Structure	4
2.1	Components	4
2.2	Framework and Dimension	4
3	Device Installation	7
3.1	Installation Steps	7
4	Quick Configuration Tool	10
4.1	Overview	10
4.2	Operation	10
5	Web Operation.....	12
5.1	Network Connection.....	12
5.2	Login and Main Interface.....	12
6	FAQ.....	14
	Appendix Toxic or Hazardous Materials or Elements.....	15

1 General Introduction

1.1 Overview

This series network camera integrates the traditional camera and network video technology. It adopts video data collection, transmission together. It can connect to the network directly without any auxiliary device.

This series network camera uses standard H.264 video compression technology, which maximally guarantees the video quality.

It supports the IR night vision function. In the night environments, the device can use the IR light to highlight the object which is suitable for the surveillance function in the low illumination environments. The waterproof design conforms to the IP 66 level. It has the sound waterproof function suitable for use in the outdoor environments.

It can be used alone or used in a network area. When it is used lonely, you can connect it to the network and then use a network client-end. Due to its multiple functions and various uses, this series network camera is widely used in many environments such office, bank, road monitor and etc.

1.2 Features

User Management	<ul style="list-style-type: none">● Different user rights for each group, one user belongs to one group.● The user right shall not exceed the group right.
Storage Function	<ul style="list-style-type: none">● Support central server backup function in accordance with your configuration and setup in alarm or schedule setting● Support record via Web and the recorded file are storage in the client-end PC.● Support network storage function such as FTP.
Alarm Function	<ul style="list-style-type: none">● Real-time respond to external on-off alarm input, and video detect as user pre-defined activation setup and generate corresponding message in screen and audio prompt(allow user to pre-record audio file)● Real-time video detect: motion detect, camera masking.● Alarm occurs when network is abnormal.
Network Monitor	<ul style="list-style-type: none">● Network camera supports one-channel video data transmit to network terminal and then decode. Delaying time is within 270ms (network bandwidth support needed)● Max supports 20 connections.● Adopt the following video transmission protocol: HTTP, TCP, UDP, MULTICAST, RTP/RTCP, RTSP and etc.● Support web access.
Network Management	<ul style="list-style-type: none">● Realize network camera configuration and management via Ethernet.● Support device management via web or client-end.● Support abundant network protocol.
Power	<ul style="list-style-type: none">● External power adapter DC 12V.● Support PoE. <p>Warning ! Do not connect these two power supplying sources to the device at the same time; it may result in device damage!</p>
Assistant Function	<ul style="list-style-type: none">● Log function● Support system resource information and running status real-time display.● Day/Night mode auto switch.● Support picture parameter setup such as electronic shutter and gain setup.

	<ul style="list-style-type: none"> ● Support motion detect. ● Backlight compensation: screen auto split to realize backlight compensation to adjust the bright. ● Support video watermark function to avoid vicious video modification. ● Built-in IR light. Support IR night vision.
--	---

1.3 Specifications

Please refer to the following sheet for network camera performance specification.

Parameter		Model		
		IPC-HDBW1000E-W	DH-IPC-HDBW1200E-W	
System	Main Processor	High performance DSP		
	OS	Embedded LINUX		
	System Resources	Support real-time network, local record, and remote operation at the same time.		
	User Interface	Remote operation interface such as WEB, DSS, PSS		
	System Status	Bit stream statistics, log, and software version.		
Video Parameter	Image Sensor	1/4-inch CMOS	1/3-inch CMOS	
	Pixel	1280(H)*720 (V)	2048(H)*1536 (V)	
	Day/night	Support day/night mode switch		
	Gain Control	Fixed/Auto		
	White Balance	Manual/Auto		
	BLC	Off/BLC/WDR (1-100 adjustable)/HLC(anti-flicker is outdoor and is valid only when exposure mode is auto with range 1-100)		
	Electronic Shutter	Manual/Auto It ranges from 1/3 to 1/10000		
	Video Compression Standard	H.264/H.264B/MJPEG	H.264/H.264B/H.264H/MJPEG	
	Video Frame Rate	PAL: Main stream (1280*720@25fps), extra stream (704*576@25fps)	PAL: Main stream (1920*1080@25fps), extra stream (704*576@25fps)	
		NTSC: Main stream (1280*720@30fps), extra stream (704*480@30fps)	NTSC: Main stream (1920*1080@30fps), extra stream (704*480@30fps)	
	Video Bit Rate	H.264: 16Kbps-8192Kbps adjustable. MJPEG adjustable and bit rate is adjustable. Support customized setup	H.264H: 16Kbps-8192Kbps adjustable MJPEG adjustable and bit rate is adjustable. Support customized setup	
	Video Flip	Support mirror. Support flip function.		
	Snapshot	Max 1f/s snapshot. File extension name is JPEG.		
	Privacy Mask	Supports max 4 privacy mask zones		
	Video Adjustment	Support parameter adjustment such as bright, contrast.		
Video Information	Channel title, time title, motion detect, camera masking.			
Lens	2.8mm, 3.6mm, 6mm. Fixed focus.			
Lens Interface	M12. Lens is the default accessories			

Video	Motion Detect	396 (18*22) detection zones; sensitivity level ranges from 0 to 100; area threshold ranges from 0 to 100. Activation event: video storage, image snapshot, log, email SMTP and etc.	
	Video Loss	Activation event: video storage, image snapshot, log, email SMTP and etc.	
Record	Record Priority	Manual >Video detect>Schedule	
Network	Wire Network	1-ch Ethernet port, 10/100 Base-T Ethernet	
	Wireless Network	IEEE802.11a/b/g/n, built-in antenna	
	Network Protocol	Standard HTTP, TCP/IP, IPv4/IPv6, ARP, IGMP, ICMP, RTSP, RTP, UDP, SMTP, FTP, DHCP, DNS, DDNS, PPPoE, UPnP, NTP, Bonjour, SNMP	
	Remote Operation	Monitor, system setup, log information, maintenance, upgrade and etc	
	Access Protocol	Support international, ONVIF	
AUX Interface	Reset	Built-in RESET button	
	WPS	WI-FI one key connection	
General Parameter	Power	DC12V	
	Power Consumption	4.8W MAX	6.1W MAX
	Working Temperature	-30℃~+50℃	
	Working Humidify	≤95%	
	Dimensions(mm)	φ110×81	
	Weight	385g (Excluding box)	
	Installation	Ceiling and wall mount	

2 Structure

2.1 Components

You can refer to the following figure for component structure. See Figure 2-1.

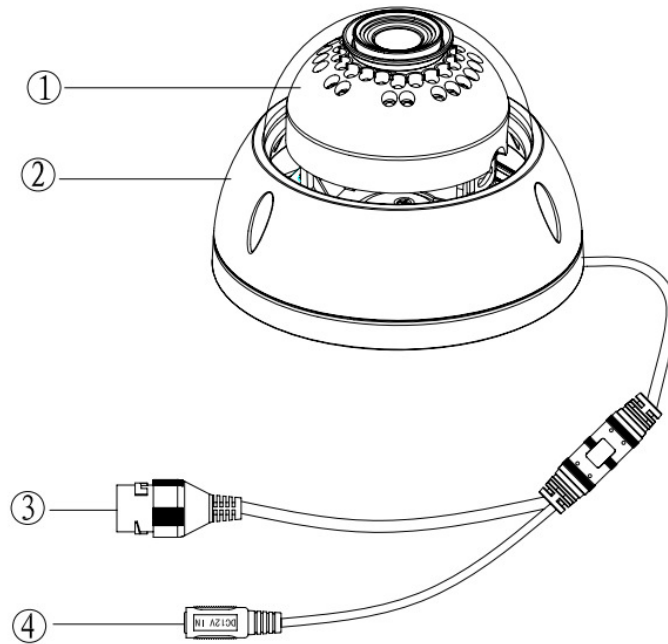


Figure 2-1 Component structure

Please refer to the following sheet for detailed information.

Component	Component Name
Component 1	Dome body
Component 2	Dome enclosure

Port	Port Name	Note
Port 3	Dome enclosure	Network data in/out and PoE. Note: ● Some devices do not support PoE.
Port 4	Power input port	Connect to DC 12V power, input power.

2.2 Framework and Dimension

Please refer to the following two figures for dimension information. The unit is mm. See Figure 2-2 to Figure 2-4

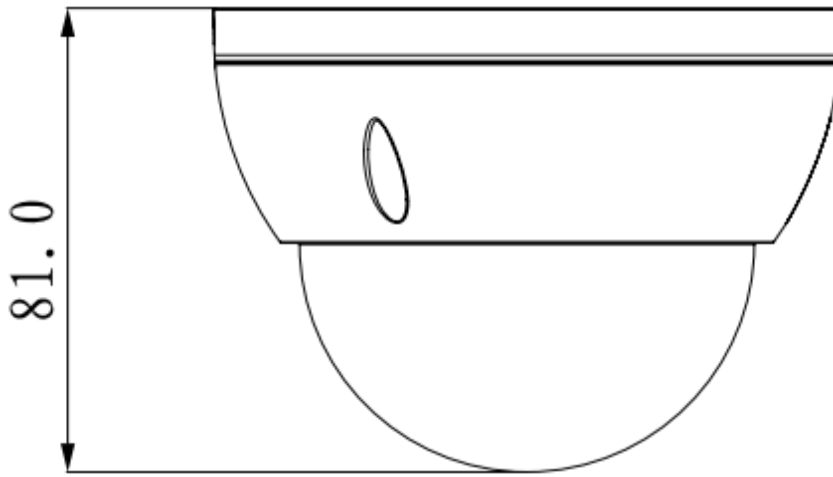


Figure 2-2 Dimension illustration (1)

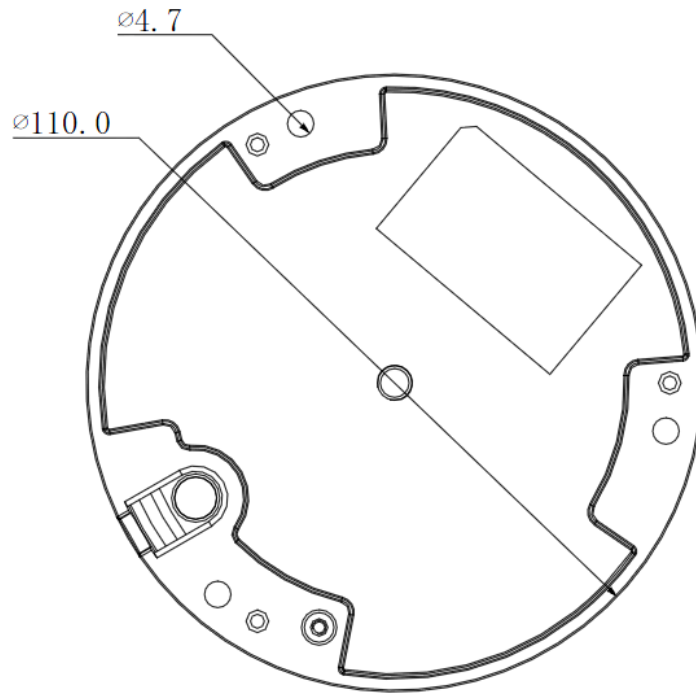


Figure 2-3 Dimension illustration (2)

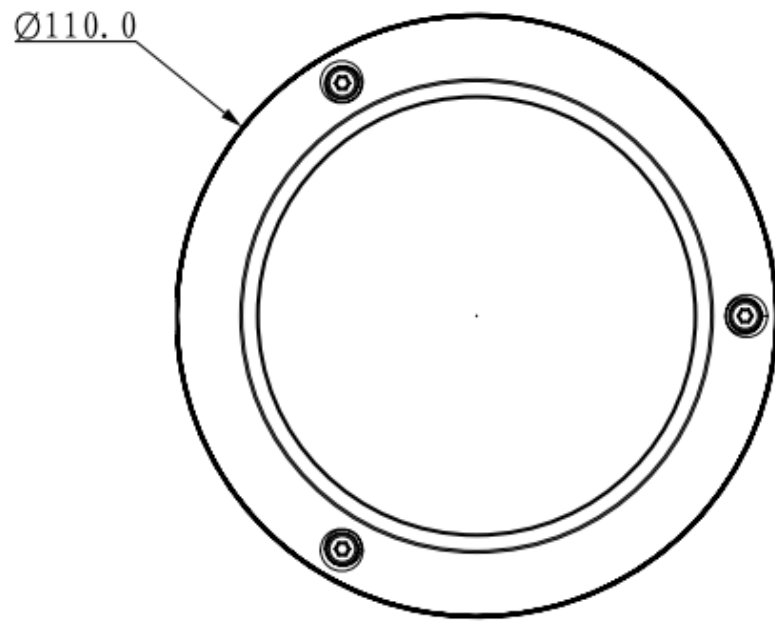


Figure 2-4 Dimension illustration (3)

3 Device Installation

3.1 Installation Steps

Important

Before the installation, please make sure the installation environments can at least support 3x weight of the camera.

Please follow the steps listed below to install the device. Please refer to Figure 3-1 for reference.

Step 1

Use inner hex wrench in the accessories bag to open dome enclosure by unfastening three inner hex screws on enclosure.

Step 2

Please take the installation position map in the accessories bag, and then paste it on the ceiling or the wall according to your monitor area requirements.

Step 3

Find cross signs on the map, and dig three plastic expansion bolts holes in the installation surface and then insert three expansion bolts in the holes. Secure these three bolts firmly.

Note:

- If use pulls out cable from top of installation surface, you must dig a exit hole on installation surface according to the installation position map.
- If user pulls out cable from side of cable channel, it must go through the U-shape channel on dome pedestal, and take out cable from the side exit hole on pedestal.

Step 4

Adjust the device installation pedestal to the proper position and then pull cable through the exit hole on Installation surface. Make direction of TOP sign same as it on installation position map. Line up the three screw holes in the device pedestal to the three plastic expansion bolt holes in the installation position. Put the three self-tapping screws in the three plastic expansion bolts firmly. Fix dome body on installation surface.

Step 5

Hold bottom of bracket with hand, horizontally rotate bracket, adjusting lens direction to designated position. Loosen one M2 screw on LED decoration cover (loosen only, do not take it down), hold the decoration cover with hand, making lens rotate vertically. Adjust vertical direction of lens to appropriate angle, and fasten the M2 screw. Range of lens: vertical ($0^{\circ} \sim +65^{\circ}$), horizontal ($0^{\circ} \sim +355^{\circ}$). See Figure 3-2.

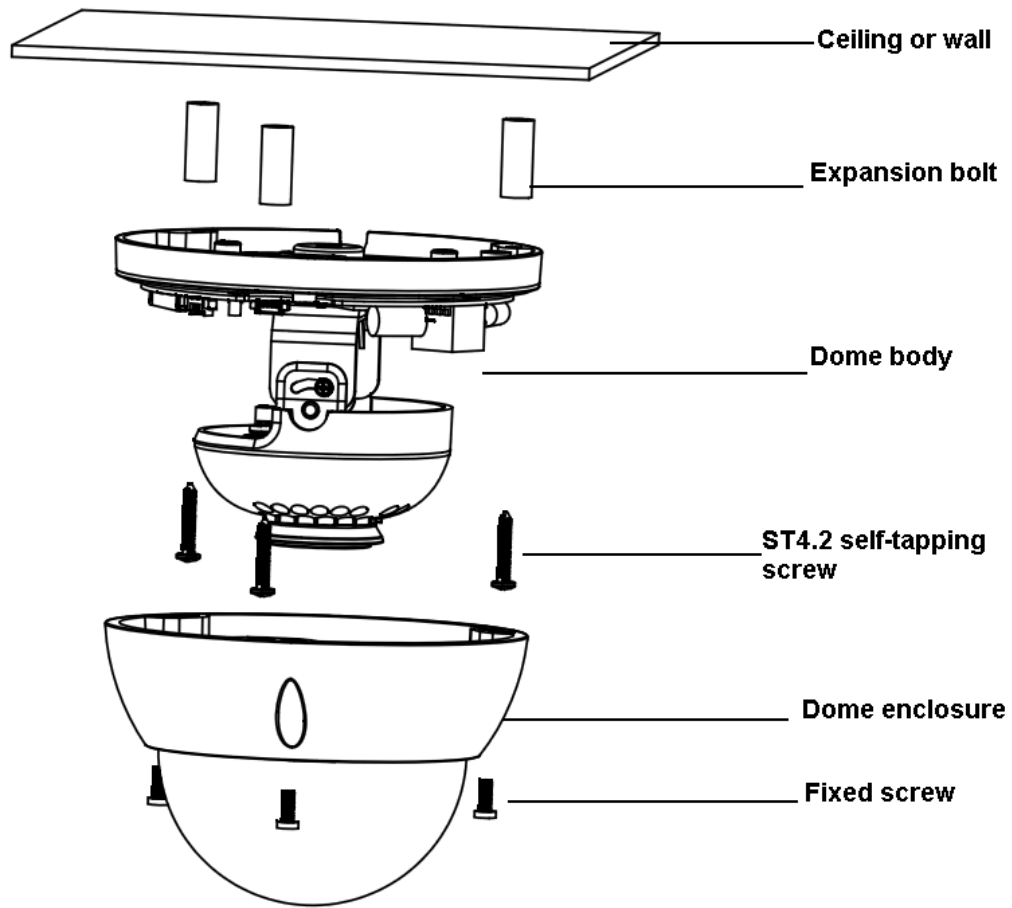


Figure 3-1 Device installation illustration 1

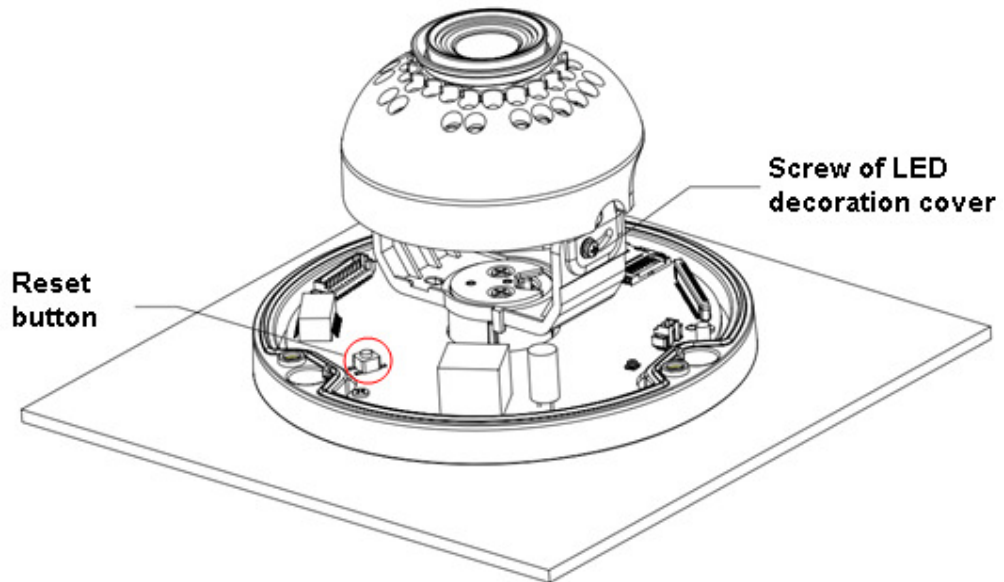


Figure 3-2 Device installation illustration 2

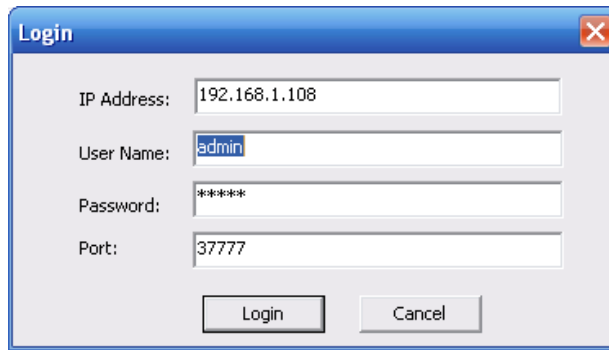
Note:

When you need to reset the device, press the “Reset” button in Figure 3-2 for 10 seconds while connecting device to power.

When you need to use WPS function, press the “Reset” button in Figure 3-2 for 1 to 2 seconds while connecting device to power, then press WPS button on the router. Generally the device can be connected to corresponding router within 1 minute (supported by some series products).

Step 6

Take dome enclosure, put it back on the camera properly regarding to screw and hole, and fasten the three inner hex screws with wrench.

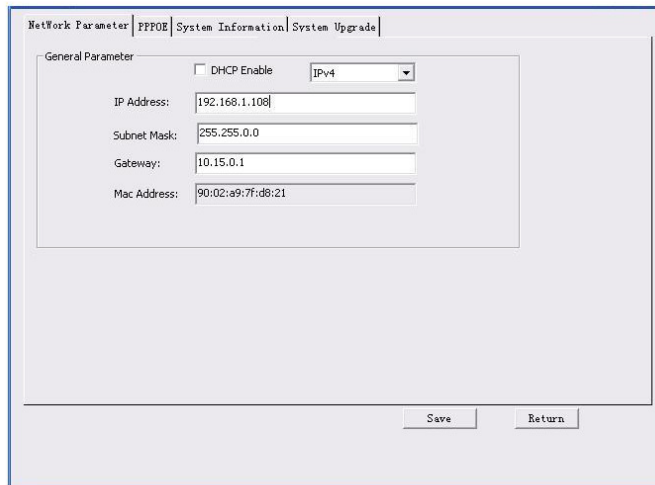
A login dialog box titled "Login" with a close button in the top right corner. It contains four input fields: "IP Address" with the value "192.168.1.108", "User Name" with the value "admin", "Password" with masked characters "*****", and "Port" with the value "37777". At the bottom, there are two buttons: "Login" and "Cancel".

IP Address:	192.168.1.108
User Name:	admin
Password:	*****
Port:	37777

Buttons: Login, Cancel

Figure 4-3 Login prompt

After you logged in, the configuration tool main interface is shown as below. See Figure 4-4.

The main configuration interface of the tool. It has a tabbed menu at the top with "Network Parameter" selected, and other tabs for "EPPOR", "System Information", and "System Upgrade". The "General Parameter" section is active, showing a "DHCP Enable" checkbox (unchecked) and a "IPv4" dropdown menu. Below these are input fields for "IP Address" (192.168.1.108), "Subnet Mask" (255.255.0.0), "Gateway" (10.15.0.1), and "Mac Address" (90:02:a9:7f:d8:21). At the bottom right, there are "Save" and "Return" buttons.

Network Parameter | EPPOR | System Information | System Upgrade

General Parameter

DHCP Enable IPv4

IP Address: 192.168.1.108

Subnet Mask: 255.255.0.0

Gateway: 10.15.0.1

Mac Address: 90:02:a9:7f:d8:21

Buttons: Save, Return

Figure 4-4 Main interface

For detailed information and operation instruction of the quick configuration tool, please refer to the *Quick Configuration Tool User's Manual* included in the resources CD.

5 Web Operation

This series network camera products support the Web access and management via PC. Web includes several modules: Monitor channel preview, system configuration, alarm and etc.

5.1 Network Connection

Please follow the steps listed below for network connection.

- Make sure the network camera has connected to the network properly.
- Please set the IP address, subnet mask and gateway of the PC and the network camera respectively. Network camera default IP address is 192.168.1.108. Subnet mask is 255.255.255.0. Gateway is 192.168.1.1
- Use order ping `***.***.***.***(* network camera address)` to check connection is OK or not.

5.2 Login and Main Interface

Open IE and input network camera address in the address bar. See Figure 5- 1.

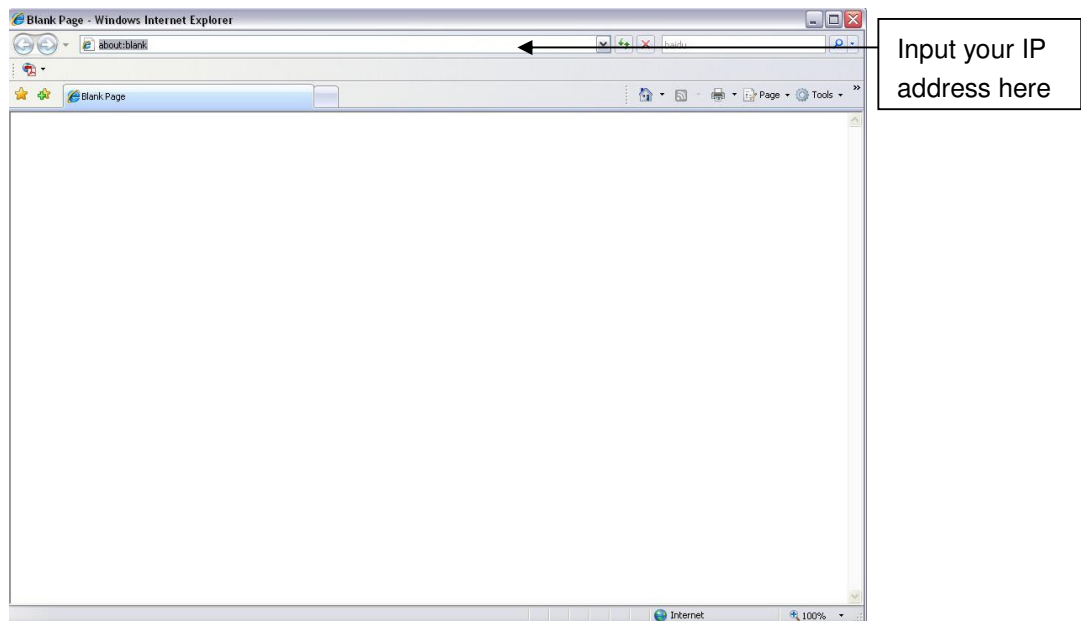


Figure 5- 1 IP address

The login interface is shown as below. See Figure 5- 2.

Please input your user name and password.

Default factory name is admin and password is admin.

Note: For security reasons, please modify your password after you first login.



Figure 5- 2 Web login

After you successfully logged in, please install WEB plug-in unit. Please refer to the Web Operation Manual included in the resource CD for detailed operation instruction. See Figure 5- 3.

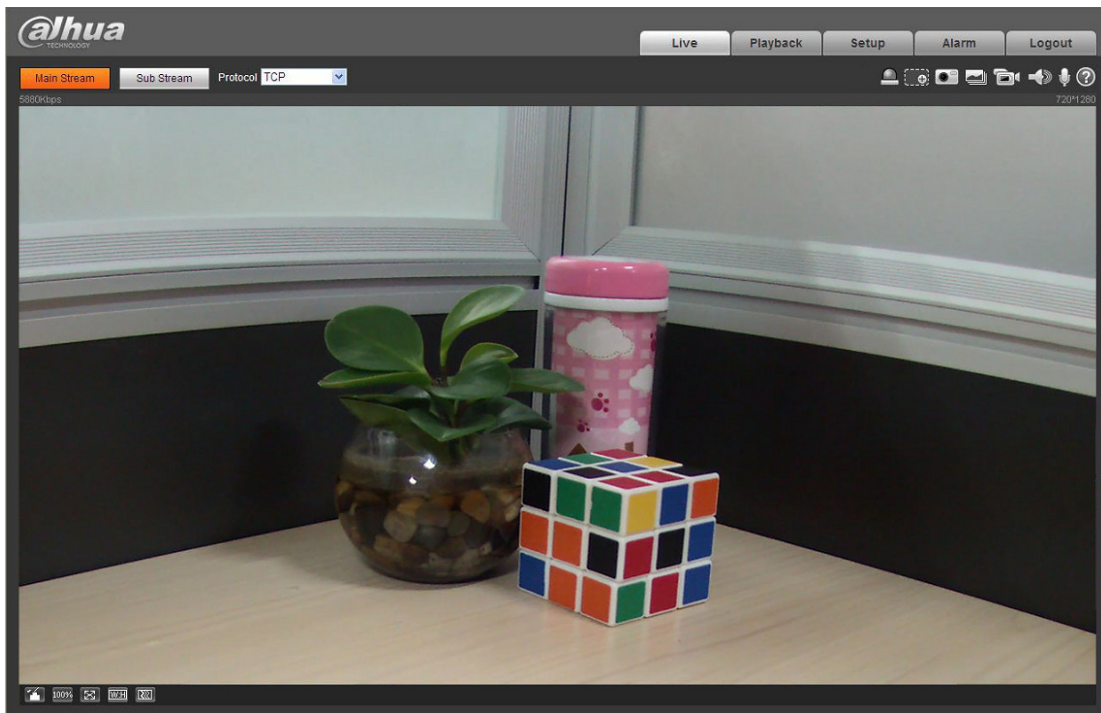


Figure 5- 3 Web monitoring window

6 FAQ

Bug	
I can not boot up the device or operate properly.	Please click RESET button for at least 10 seconds to restore factory default setup.
I can not upgrade the device via network.	When network upgrade operation failed, you can use port 3800 to continue upgrade.
I can not login the client-end or the WEB.	<p>For Windows OS 98 or Windows ME user, if you can not install the client-end or can not view after the installation. We recommend the win2000sp4 OS or install the client-end of the low version.</p> <p>The Active X control is blocked.</p> <p>The display card version shall be dx8.1 or higher.</p> <p>Network connection error occurred.</p> <p>Invalid network setup.</p> <p>Invalid user name or password.</p>
I can not play the download file.	<p>There is no player.</p> <p>There is no DX8.1 or higher.</p> <p>For the MEDIA PLAYER, there shall be Div X503Bundle.exe plugin if you play the .AVI file.</p> <p>For Windows XP user, you need to install the plugin DivX503Bundle.exe and ffdsho-2004 1012.exe.</p>
To guarantee setup update	After you modified the important setup, please reboot the device via the software to make sure the setup has been updated to the storage medium.
Power adapter	<p>The general power adapter can work ranging from 0°C to 40 °C. The device may result in unstable power supply when the temperature exceeds the working temperature.</p> <p>Please replace an industry-level power adapter if you are using in the harsh environments.</p>

Appendix Toxic or Hazardous Materials or Elements

Component Name	Toxic or Hazardous Materials or Elements					
	Pb	Hg	Cd	Cr VI	PBB	PBDE
Circuit Board Component	○	○	○	○	○	○
Device Case	○	○	○	○	○	○
Wire and Cable	○	○	○	○	○	○
Packing Components	○	○	○	○	○	○
Accessories	○	○	○	○	○	○

O: Indicates that the concentration of the hazardous substance in all homogeneous materials in the parts is below the relevant threshold of the SJ/T11363-2006 standard.

X: Indicates that the concentration of the hazardous substance of at least one of all homogeneous materials in the parts is above the relevant threshold of the SJ/T11363-2006 standard. During the environmental-friendly use period (EFUP) period, the toxic or hazardous substance or elements contained in products will not leak or mutate so that the use of these (substances or elements) will not result in any severe environmental pollution, any bodily injury or damage to any assets. The consumer is not authorized to process such kind of substances or elements, please return to the corresponding local authorities to process according to your local government statutes.

Note

- **This user's manual is for reference only. Slight difference may be found in user interface.**
- **All the designs and software here are subject to change without prior written notice.**
- **All trademarks and registered trademarks mentioned are the properties of their respective owners.**
- **If there is any uncertainty or controversy, please refer to the final explanation of us.**
- **Please visit our website for more information.**



Zhejiang Dahua Technology CO., LTD.

Address: No.1199 Bin'an Road, Binjiang District, Hangzhou, PRC.

Postcode: 310053

Tel: +86-571-87688883

Fax: +86-571-87688815

Email:overseas@dahuatech.com

Website: www.dahuatech.com

FCC Compliance Statement

This equipment has been tested and found to comply with the limits for a Class B digital device, pursuant to Part 15 of the FCC Rules. These limits are designed to provide reasonable protection against harmful interference in a residential installation. This equipment generates, uses, and can radiate radio frequency energy and, if not installed and used in accordance with the instructions, may cause harmful interference to radio communications. However, there is no guarantee that interference will not occur in a particular installation. If this equipment does cause harmful interference to radio or television reception, which can be determined by turning the equipment off and on, the user is encouraged to try to correct the interference by one or more of the following measures:

- Reorient or relocate the receiving antenna.
- Increase the separation between the equipment and receiver.
- Connect the equipment into an outlet on a circuit different from that to which the receiver is connected.
- Consult the dealer or an experienced radio/TV technician for help.

This device complies with Part 15 of the FCC Rules. Operation is subject to the following two conditions: (1) This device may not cause harmful interference, and (2) this device must accept any interference received, including interference that may cause undesired operation.

Changes or modifications not expressly approved by the party responsible for compliance could void the user's authority to operate the equipment.

This equipment complies with FCC radiation exposure limits set forth for an uncontrolled environment. This equipment should be installed and operated with minimum distance 20cm between the radiator & your body.

IEEE 802.11b or 802.11g or 802.11n(HT20) operation of this product in the U.S. is firmware-limited to Channel 1 through 11. IEEE 802.11n(HT40) operation of this product in the U.S. is firmware-limited to Channel 3 through 9.