



## **Dahua IR Wi-Fi Bullet Camera Quick Start Guide**

**V 1.0.2**

**Dahua Vision Technology CO., LTD**

This device complies with Part 15 of the FCC Rules. Operation is subject to the following two conditions:

- (1) This device may not cause harmful interference, and
- (2) This device must accept any interference received, including interference that may cause undesired operation.

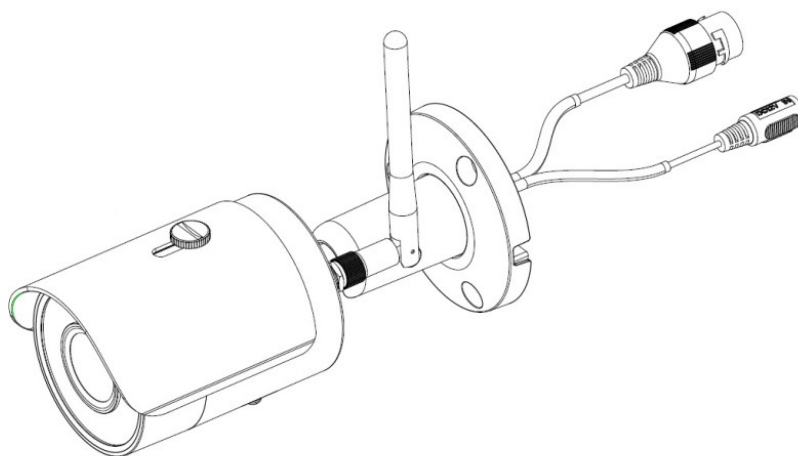
Attention that changes or modification not expressly approved by the party responsible for compliance could void the user's authority to operate the equipment.

Note: This product has been tested and found to comply with the limits for a Class B digital device, pursuant to Part 15 of the FCC Rules. These limits are designed to provide reasonable protection against harmful interference in a residential installation. This product generates, uses, and can radiate radio frequency energy and, if not installed and used in accordance with the instructions, may cause harmful interference to radio communications. However, there is no guarantee that interference will not occur in a particular installation. If this product does cause harmful interference to radio or television reception, which can be determined by turning the equipment off and on, the user is encouraged to try to correct the interference by one or more of the following measures:

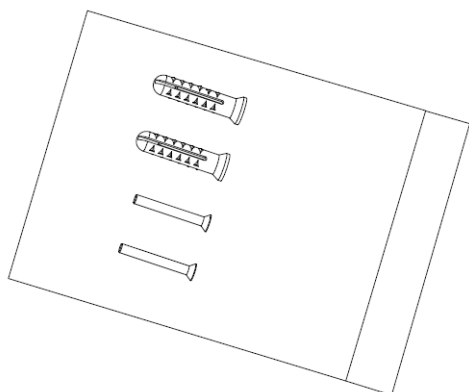
- Reorient or relocate the receiving antenna.
- Increase the separation between the equipment and receiver.
- Connect the equipment into an outlet on a circuit different from that to which the receiver is connected.
- Consult the dealer or an experienced radio/TV technician for help.

This equipment should be installed and operated with a minimum distance 20cm between the radiator and your body

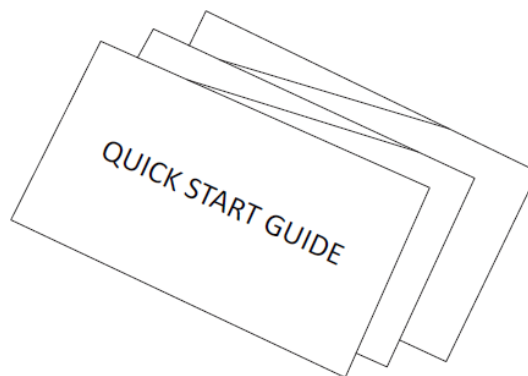
# 1 Packing List



Device × 1



Screw Package × 1



QSG × 1

## 2 Product Appearance

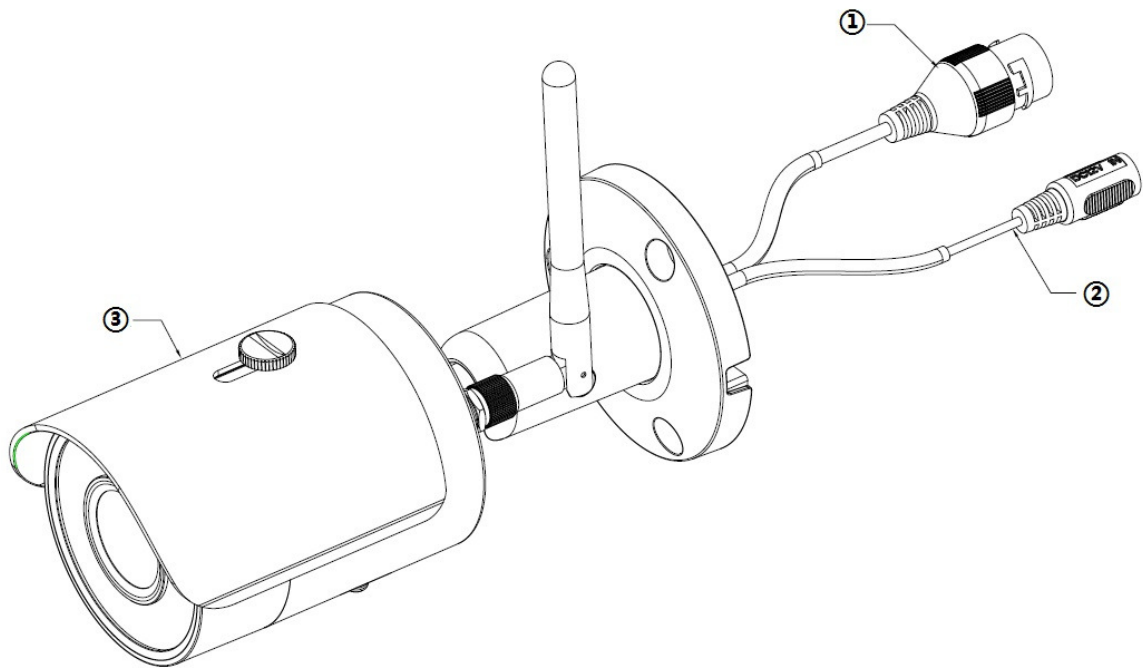


Figure 2-1

Please refer to the following sheet for more details about the device.

SN	Name
①	Ethernet port <b>Note</b> The device can be directly connected to computer.
②	Power port
③	Unit device

Sheet 2-1

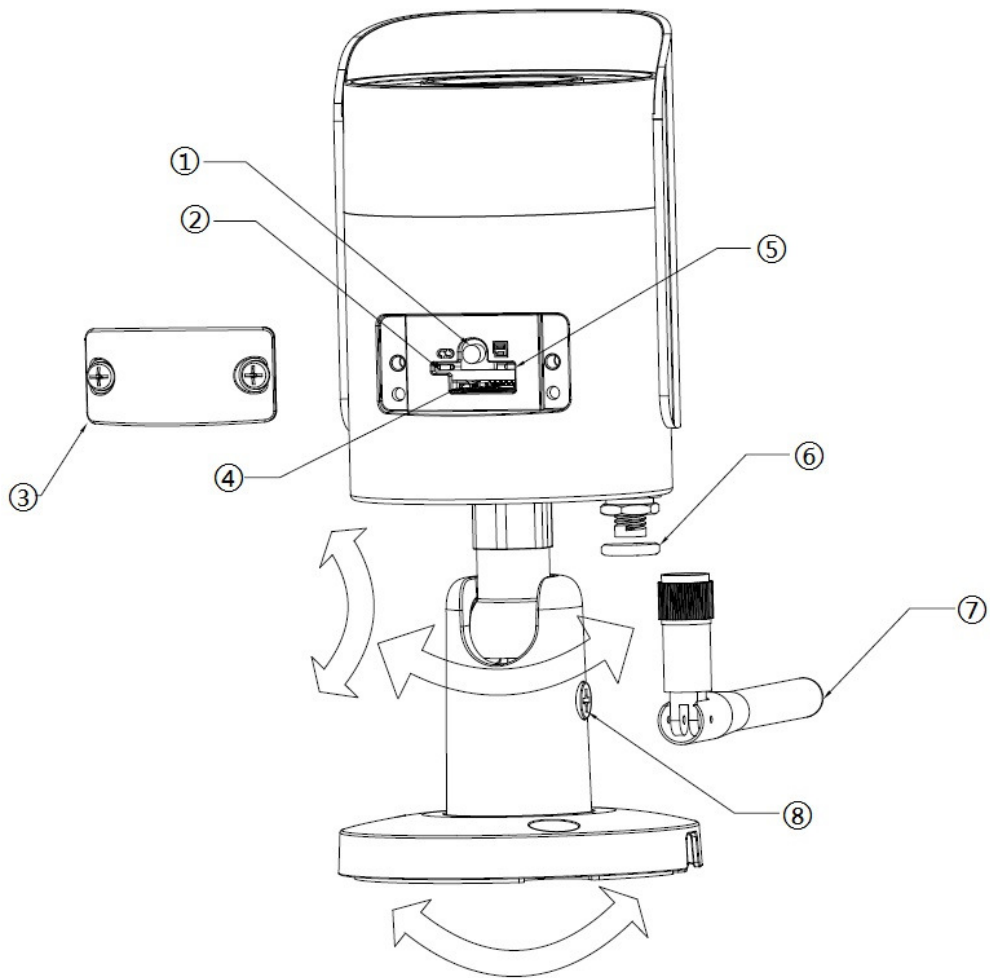


Figure 2-2

Please refer to the following sheet for more details about each component.

SN	Name
①	Reset/ WPS (Wi-Fi Protected Setup) button
②	Indicator light 1
③	Lower cover
④	Micro SD card slot
⑤	Indicator light 2
⑥	Waterproof ring
⑦	Wi-Fi antenna
⑧	Locking screw

Sheet 2-2

**Note:**

For reset, long press for 8 seconds and then the light off; For WPS (Wi-Fi Protected Setup), one quick press.

Please refer to the following sheet for more details about status of indicator light.

<b>Indicator light status</b>	<b>Device status</b>
Red light stably on	Booting
Green light slow flashing	Booting completed, await Wi-Fi config, enter smart config status;
Green light quick flashing	Wi-Fi smart config in progress, including WPS (Wi-Fi Protected Setup), management frame, etc.
Green light stably on	Wi-Fi connection succeeded, operate normally.
Red and green lights flash alternately	Device upgrade
Red light slow flashing	Network disconnection.
Red light quick flashing	Device fail to boot up; alarm or SD card does not work

Sheet 2-3

### 3 Operate by Easy4ip APP

#### Step 1

Power on the device with power adapter.

#### Step 2

Connect your smart phone to your Wi-Fi network. Scan the “Easy4ip” QR on the packing box, download and install the Easy4ip APP.

#### Step 3

Open Easy4ip APP (take IOS as an example), tap “Login” to login the APP, see Figure 3-1. Please register an account for your first use.

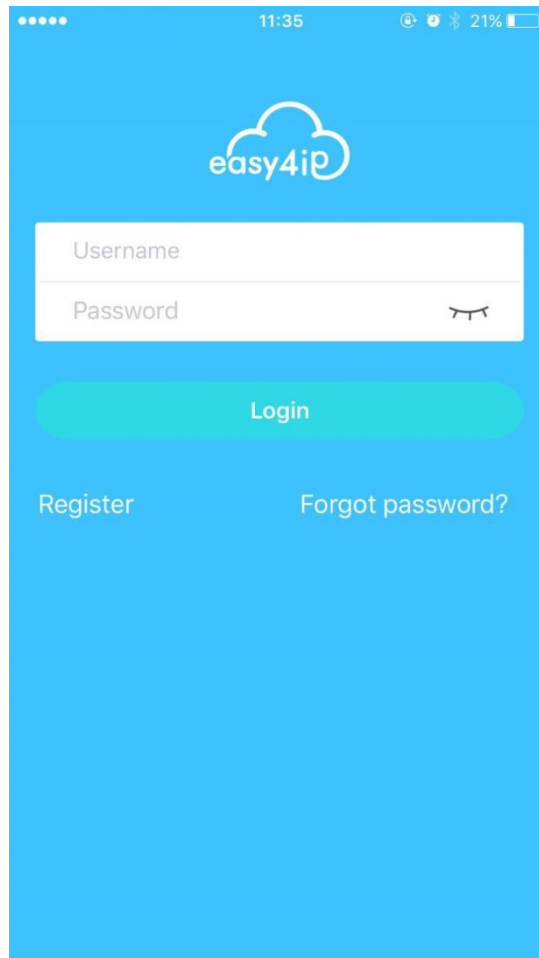


Figure 3-1

#### Step 4

Please tap “+” to add new devices after you log in your account.

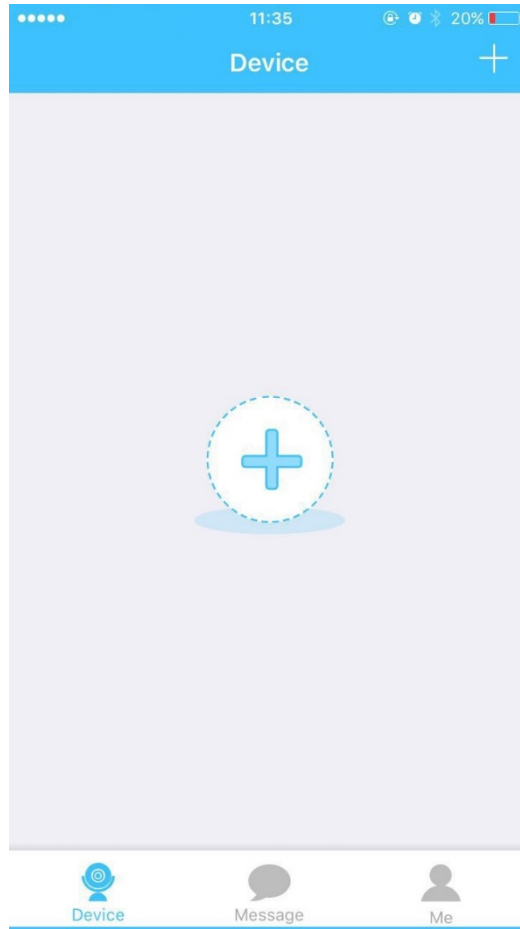


Figure 3-2

**Step 5**

Scan the QR code on the back of the camera to get the SN, you can also tap “Continue without scanning” and manually input the SN number on the next page.



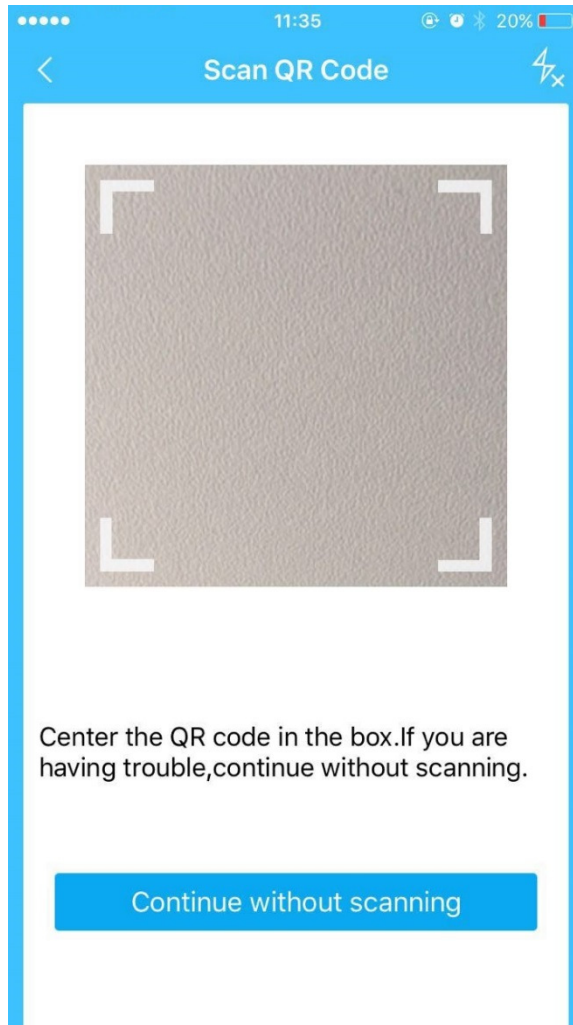


Figure 3-3

**Step 6**

Fill in the Username and Password of the new camera, both of which are admin by default.

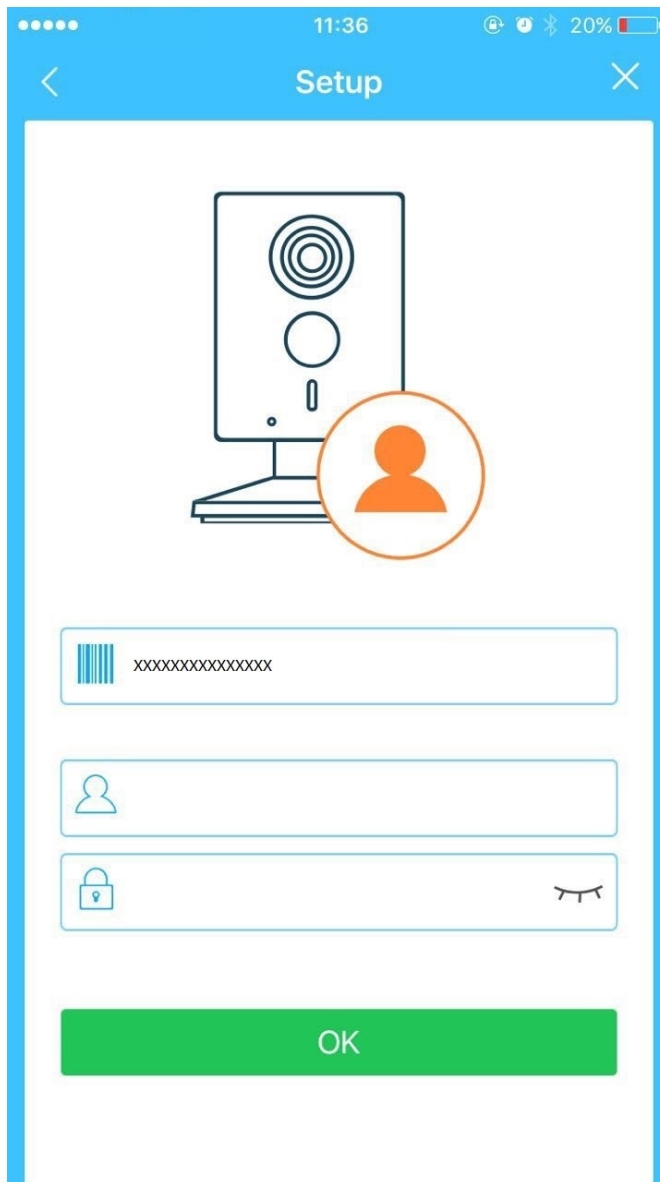


Figure 3-4

**Step 7**

Select “Yes, config Wi-Fi”, and fill in your Wi-Fi password, then tap “Next”.

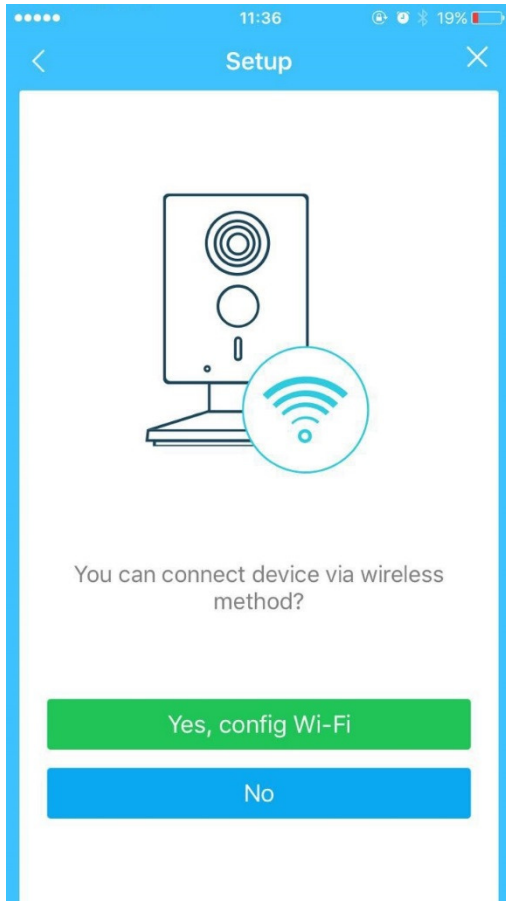


Figure 3-5

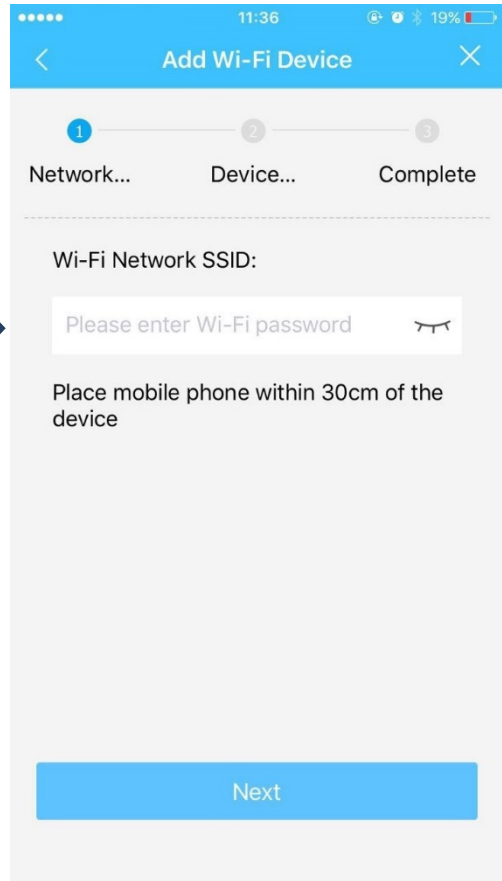


Figure 3-6

**Step 8**

Your Camera will be added to your account.

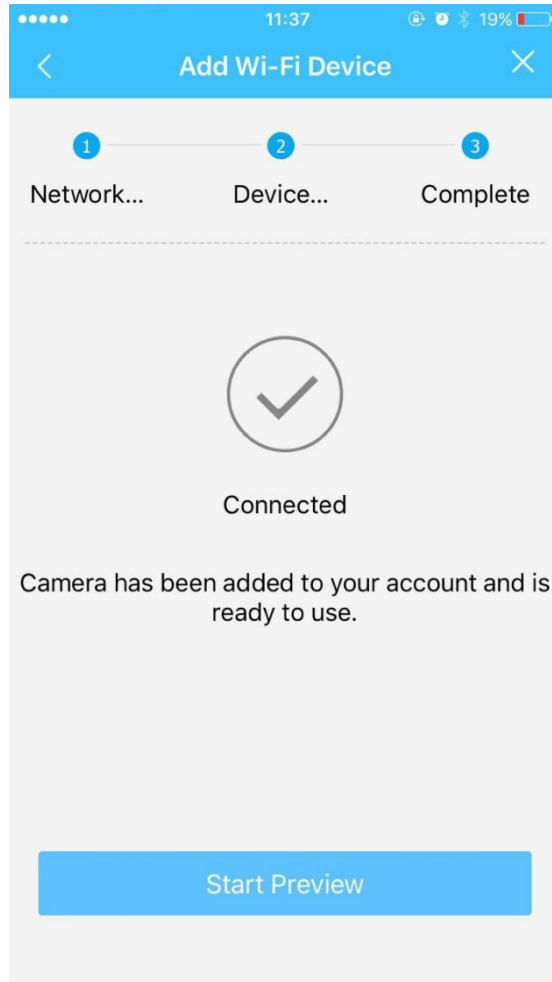


Figure 3-7

**Note:**

- If you have more cameras, please follow steps 4-8 to add them one by one.
- If you want to change the Wi-Fi signal, please reset the camera to factory default and repeat steps 4-8 to add the device.

## 4 Network Configuration

The IP address of all the cameras is the same when leaving factory (default IP 192.168.1.108). To make the camera access to the network smoothly, please plan the available IP segment reasonably according to the actual network environment.

### NOTE:

The camera can be configured only when the IP addresses of the camera and the computer are in the same network segment.

### Step 1

Power on the device with power adapter, Connect the device to computer.

### Step 2

Double click the “smart cms.exe”, The user name and password are admin and admin . Shown in Figure 4-1.

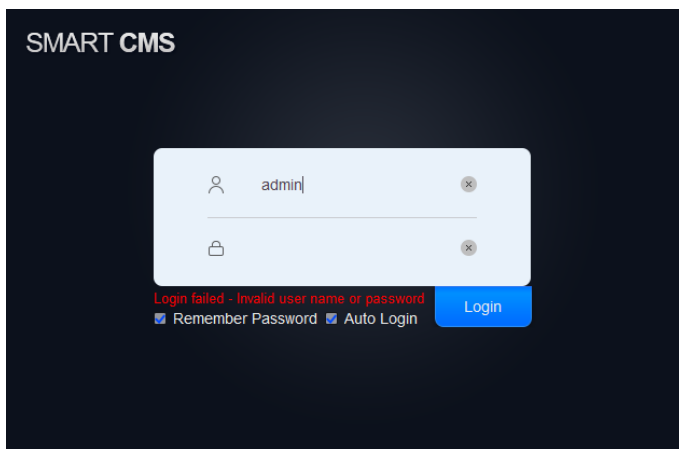

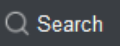


Figure 4-1

### Step 3

Click  and then click  to enter the interface where you can find IP address. Shown in figure 4-2.

Input your username and password (Default username is admin and password is admin respectively).

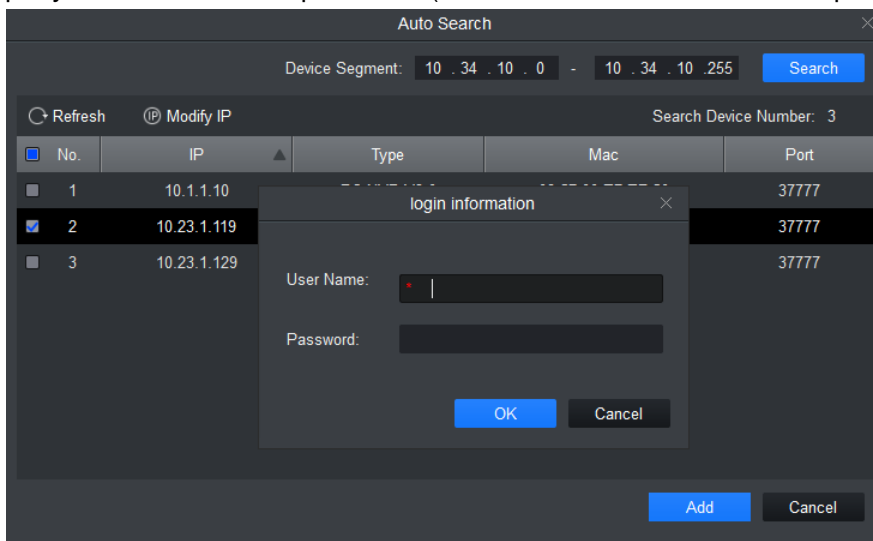
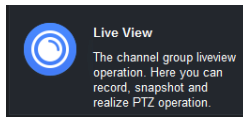
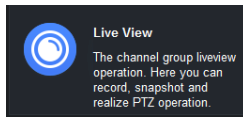
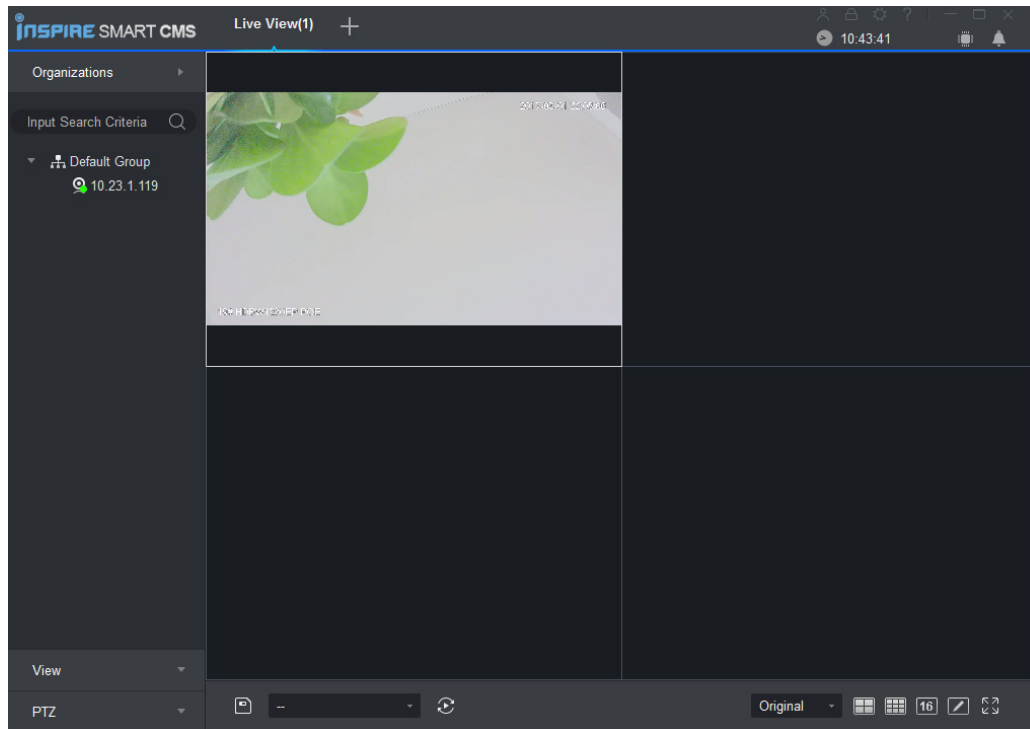


Figure 4-2

## Step 4



Click , and double click the default IP, See **Error! Reference source not found.** for the main interface.



**Error! Reference source not found.**

## 5 Device Installation

### Important

Before the installation, please make sure the installation environment can at least support 3x weight of the camera.

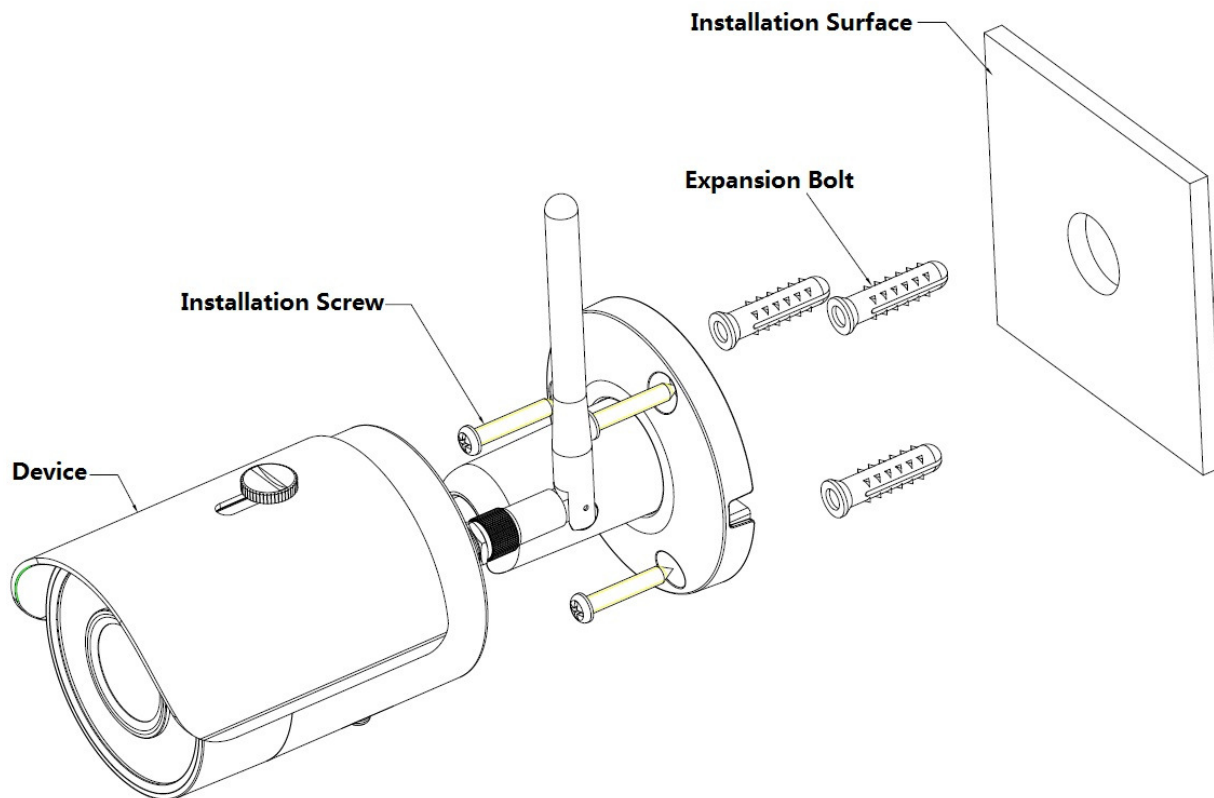


Figure 5-1

Please see Figure 5-1 and Figure 5-2.

### Step 1

Dig holes on the installation surface (wall or ceiling).

### Step 2

Open accessories bag, take out expansion bolt and insert it into the hole you just dug.

### Step 3

Open accessories bag, take out installation screws. Tighten the screws to fix the device on the installation surface (wall or ceiling). You can move device sunshade back and forth. When you have fixed the device, you must tighten screws on sunshade.

### Step 4

Plug external wiring of the device properly.

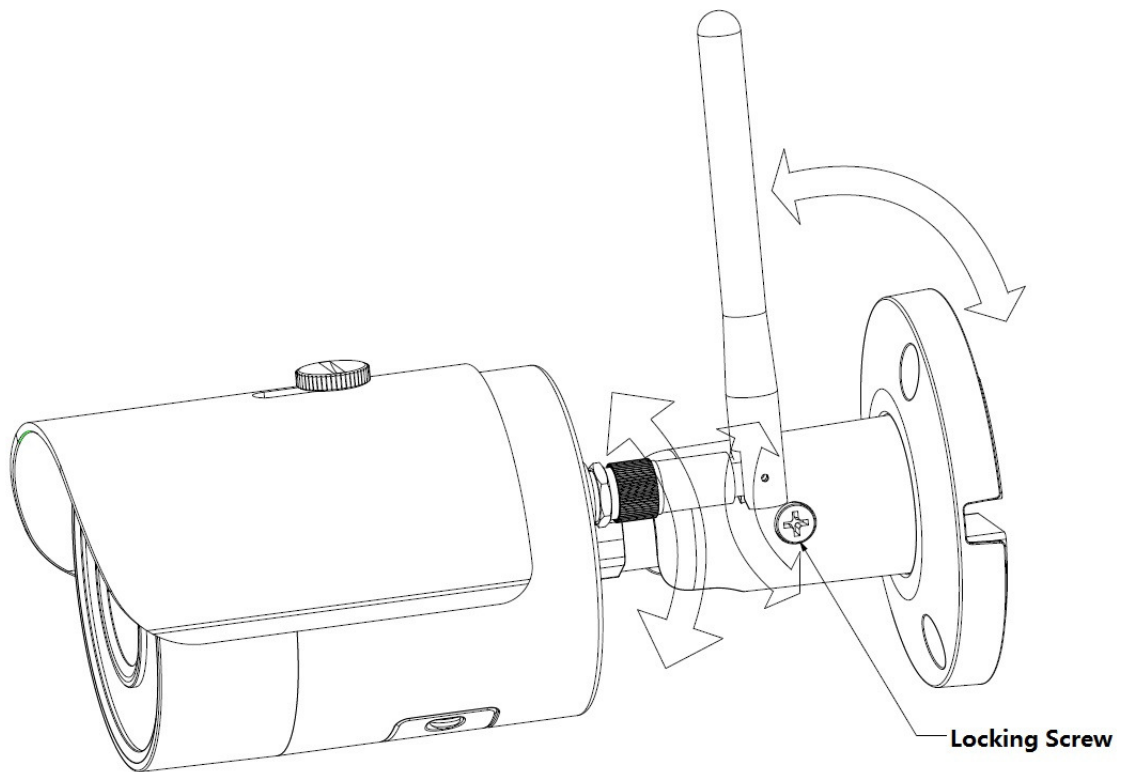


Figure 5-2

**Step 5**

Use cross screwdriver (in accessories bag) to loosen adjusting screw.

**Step 6**

Adjust the device in all possible directions, and set its monitoring direction according to the requirements.

**Step 7**

Use cross screwdriver to tighten the adjusting screws.

**Note:**

- This quick start guide is for reference only. Slight difference may be found in user interface.
- All the designs and software here are subject to change without prior written notice.
- All trademarks and registered trademarks mentioned are the properties of their respective owners.
- If there is any uncertainty or controversy, please refer to the final explanation of us.
- Please visit our website or contact your local service engineer for more information.



**Dahua Vision Technology Co., Ltd**

Address: No.1199 Bin'an Road, Binjiang District, Hangzhou, PRC.

Postcode: 310053

Tel: +86-571-87688883

Fax: +86-571-87688815

Email:overseas@dahuatech.com

Website: www.dahuasecurity.com