

HD Cube Network Camera Quick Start Guide

Version 1.0.1

Welcome

Thank you for purchasing our network camera!

This quick start guide is designed to be a reference tool for your system.

Please keep this start guide well for future reference.

Please open the accessory bag to check the items one by one in accordance with the list below.

Contact your local retailer ASAP if something is missing or damaged in the bag.

Before your operation please read the following instructions carefully.

1 . Electrical safety

All installation and operation here should conform to your local electrical safety codes.

The power shall conform to the requirement in the SELV (Safety Extra Low Voltage) and the Limited power source is rated 12V DC in the IEC60950-1. This series product supports PoE too. **Please note: Do not connect these two power supplying sources to the device at the same time; it may result in device damage!**

We assume no liability or responsibility for all the fires or electrical shock caused by improper handling or installation.

We are not liable for any problems caused by unauthorized modification or attempted repair.

2 . Transportation security

Heavy stress, violent vibration or water splash are not allowed during transportation, storage and installation.

3 . Installation

Do not apply power to the camera before completing installation.

Please install the proper power cut-off device during the installation connection.

Always follow the instruction guide the manufacturer recommended.

4 . Qualified engineers needed

All the examination and repair work should be done by the qualified service engineers.

We are not liable for any problems caused by unauthorized modifications or attempted repair.

5 . Environment

This series network camera should be installed in a cool, dry place away from direct sunlight, inflammable, explosive substances and etc.

Please keep it away from the electromagnetic radiation object and environment.

Please make sure the CCD (CMOS) component is out of the radiation of the laser beam device.

Otherwise it may result in CCD (CMOS) optical component damage.

Please keep the sound ventilation.

Do not allow the water and other liquid falling into the camera.

Thunder-proof device is recommended to be adopted to better prevent thunder.

The grounding studs of the product are recommended to be grounded to further enhance the reliability of the camera.

6. Daily Maintenance

Please shut down the device and then unplug the power cable before you begin daily maintenance work.

Do not touch the CCD (CMOS) optic component. You can use the blower to clean the dust on the lens surface.

Always use the dry soft cloth to clean the device. If there is too much dust, please use the water to dilute the mild detergent first and then use it to clean the device. Finally use the dry cloth to clean the device.

Please put the dustproof cap to protect the CCD (CMOS) component when you do not use the camera.

7. Accessories

Be sure to use all the accessories recommended by manufacturer.

Before installation, please open the package and check all the components are included.

Contact your local retailer ASAP if something is broken in your package.

Accessory Name	Amount
Network Camera	1
Quick Start Guide	1
Installation Accessories Bag	1
CD	1

Table of Contents

1	Structure	1
1.1	Device Components.....	1
1.2	Dimensions.....	2
1.3	Bidirectional talk	3
1.3.1	Device-end to PC-end	3
1.3.2	PC-end to the Device-end.....	3
1.4	Alarm Setup.....	4
1.4.1	Alarm Input and Output Connection	4
2	Device Installation	6
3	Quick Configuration Tool.....	8
3.1	Overview.....	8
3.2	Operation	8
4	Web Operation.....	11
4.1	Network Connection.....	11
4.2	Login and Logout.....	11
5	FAQ	14
	Appendix Toxic or Hazardous Materials or Elements	16

1 Structure

1.1 Device Components

You can refer to the following figure for component information. See Figure 1-1.

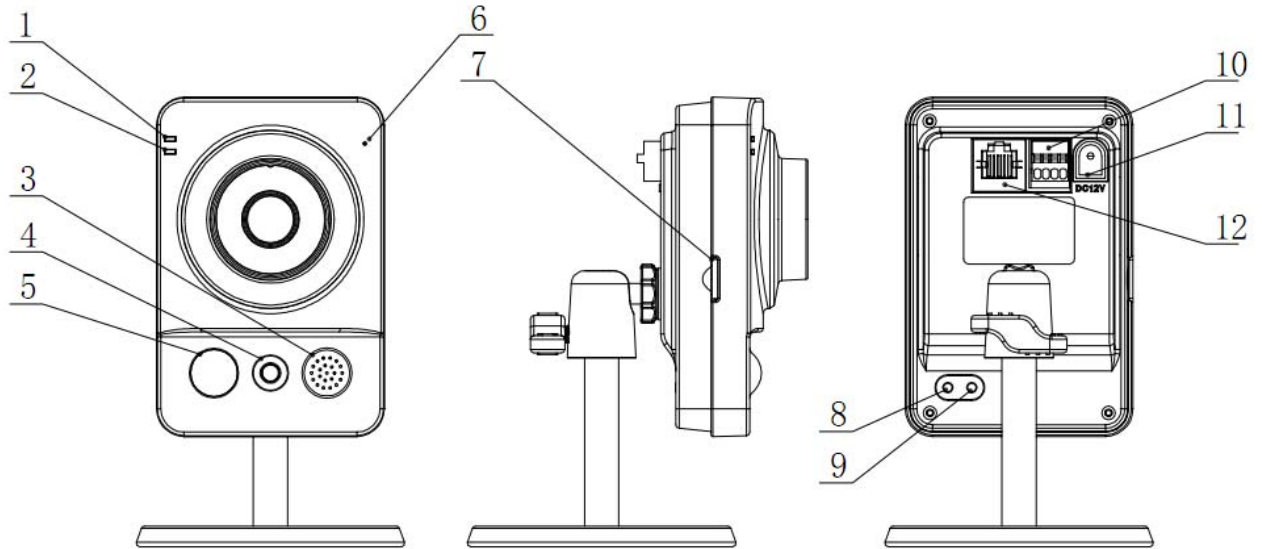


Figure 1-1

Please refer to the following sheet for detailed information.

SN	Port Name	Indicator	Connector	Note
1	Power indicator light	POWER	/	<ul style="list-style-type: none"> When system boots up—Green light becomes on. When system is upgrading – Green light flashes. Interval is 0.5s. When system is alarming—Green light flashes. Interval is 0.2s.
2	Network indicator light	NET	/	<ul style="list-style-type: none"> Wire network connection—Red light is on. Wireless network connection—Green light is on.
3	Speaker	/	/	Output audio signal. (This function is optional. For some series product only.)
4	White light	/	/	Can activate motion detect, PIR human body movement detect, external alarm.

SN	Port Name	Indicator	Connector	Note
5	PIR sensor	PIR	/	Passive IR motion detect port. It can detect the IR object movement (such as human body or other heating object).
6	Microphone	/	/	Directly receive audio signal. (This function is optional. For some series product only.).
7	Micro SD card	Micro SD	Micro SD card slot	SD card storage. (This function is optional. For some series product only.).
8	Reset button	Reset	/	Restore factory default setup. When system is running normally, press the RESET button for at least 5 seconds, system can restore factory default setup.
9	WPS button	WPS	Fast wireless connection	Press the WPS button of the router and the device respectively for at least 2 seconds. Usually the device can connect to the router within 1 minute. Please note it is for wireless series product only and it is for the wireless router of the WPS function.
10	Alarm pin	/	I/O port	Alarm signal input/output (This function is optional. For some series product only.).
11	Power port	DC12V	/	Input DC 12V power.
12	Network port	LAN	Ethernet port	<ul style="list-style-type: none"> ● Connect to standard Ethernet cable. ● Support PoE function.

1.2 Dimensions

Please refer to the following figure for dimension information. The unit is mm. See Figure 1-2.

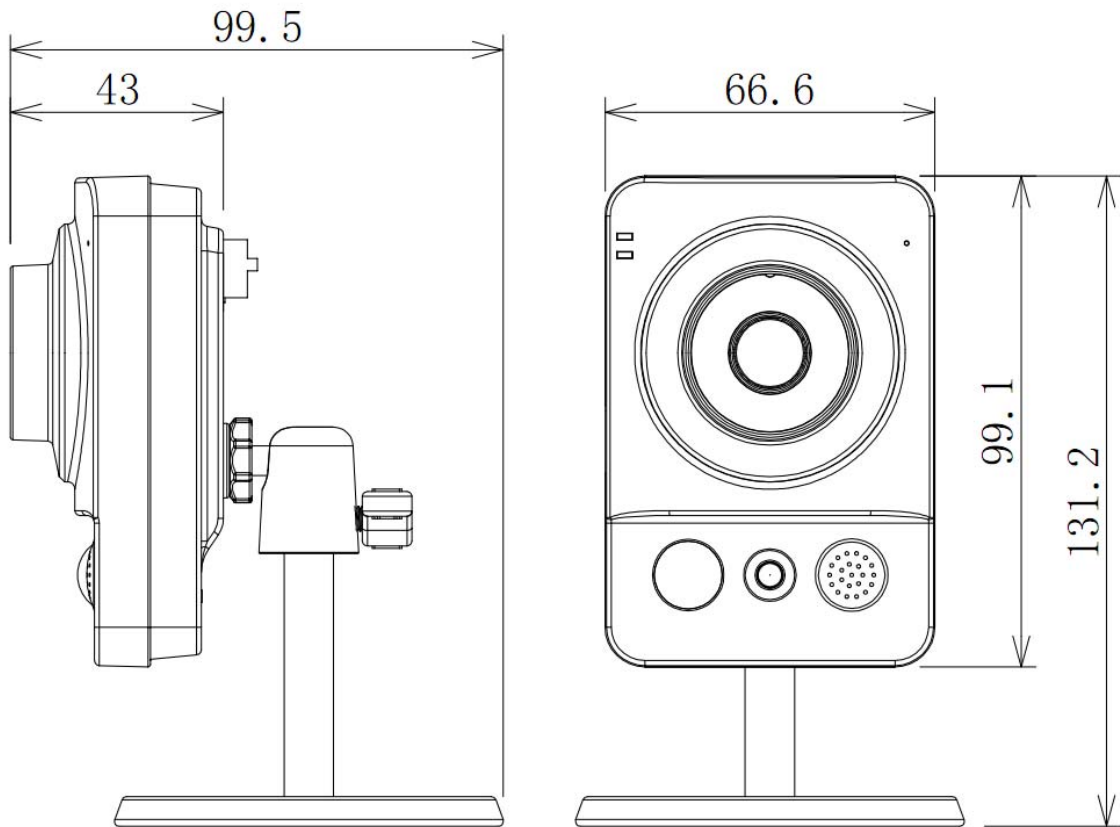


Figure 1-2

1.3 Bidirectional talk

1.3.1 Device-end to PC-end

Device Connection

Please connect the speaker or the MIC to the audio input port in the device rear panel. Then connect the earphone to the audio output port in the PC.

Login the Web and then click the Audio button to enable the bidirectional talk function.

You can see the button becomes orange after you enabled the audio talk function.

Click Audio button again to stop the bidirectional talk function.

Listening Operation

Speak or play music at the PC-end, you can use the earphone or the sound box of the PC-end to listen the audio information from the device-end.

1.3.2 PC-end to the Device-end

Device Connection

Connect the speaker or the MIC to the audio input port in the PC and then connect the earphone to the audio output port of the device.

Login the Web and then click the Audio button to enable the bidirectional talk function.

You can see the button becomes orange after you enabled the audio talk function.

Click Audio button again to stop the bidirectional talk function.

Listening Operation

Speak or play music at the PC-end, you can use the built-in speaker of the device-end to listen.

Note

Please go to the Master Volume interface of the PC to set first if you want to use the dual-way bidirectional talk. Please select Front Mic mode in the record control interface. (You can select microphone enhanced in Advanced interface if the audio is too low.)

1.4 Alarm Setup

The alarm setup interface is shown as below. See Figure 1-3.

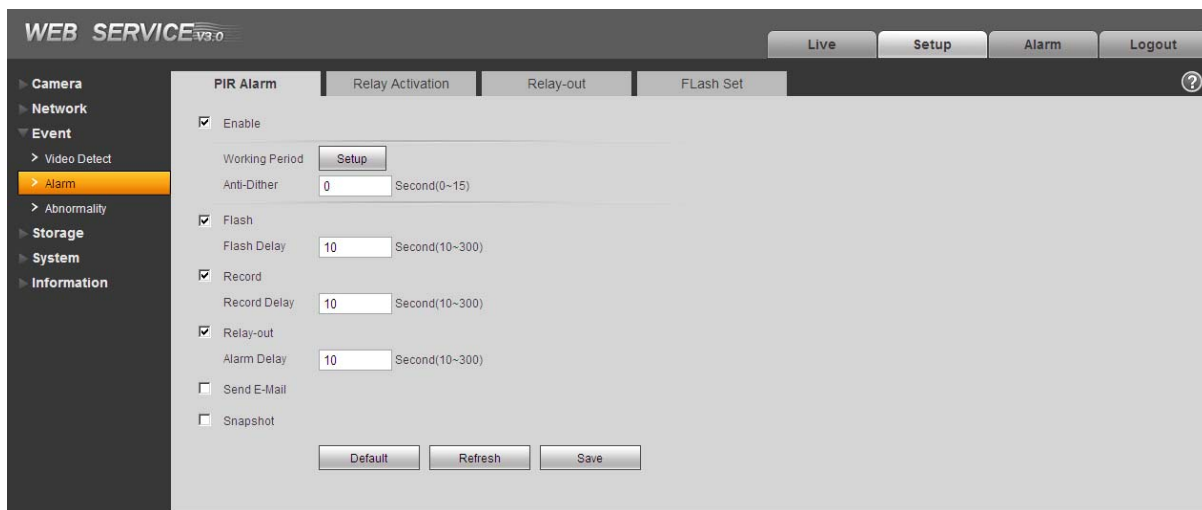


Figure 1-3

1.4.1 Alarm Input and Output Connection

Please refer to the following figure for alarm input information. See Figure 1-4.

Alarm input: When the input signal is idle or grounded, the device can collect the different statuses of the alarm input port. When the input signal is connected to the 3.3V or is idle, the device collects the logic “1”. When the input signal is grounded, the device collects the logic “0”.

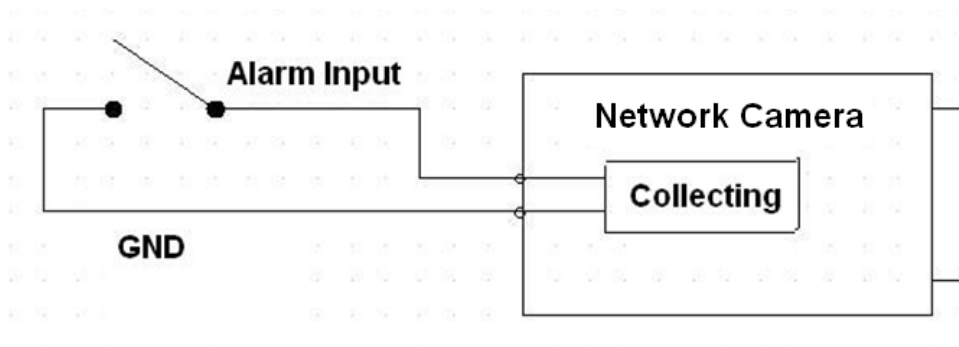


Figure 1-4

Please refer to the following figure for alarm output information. See Figure 1-5.

Port NO and Port C composes an on-off button to provide the alarm output.

This button is normal open. The button becomes off when there is an alarm output.

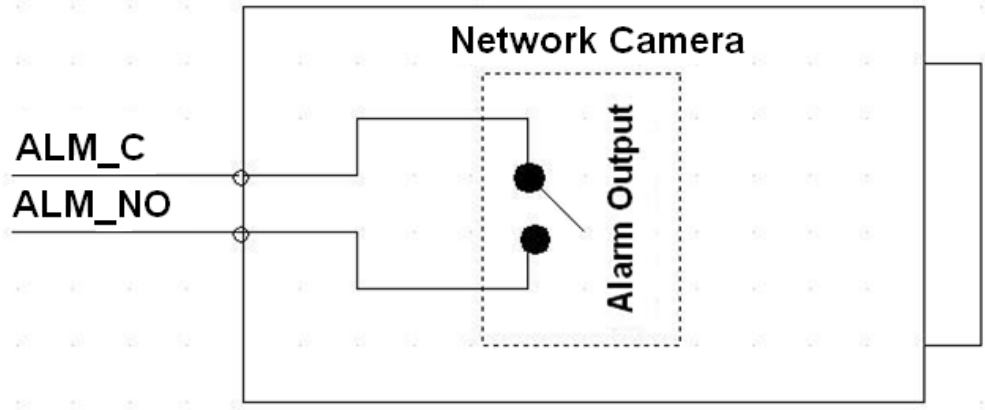


Figure 1-5

2 Device Installation

This series camera support two installation modes: wall mount and pendant mount. See Figure 2-1 and Figure 2-2.

Important

Please make sure the installation surface can min support the 3X weight of the camera and the bracket.

Step 1

Paste the installation positioning map on the installation surface such as wall, ceiling or the wood.

Step 2

Dig holes in the installation surface according to the installation positioning map.

Step 3

Insert the expansion bolts from the accessories bag to the holes you just dug. If it is the wood surface you can skip to the next step.

Step 4

Use the screws from the accessories bag to secure the device firmly.

Step 5

Connect the cable and then boot up the device.

Step 6

Loosen the adjust knob for a little bit, adjust the camera to proper surveillance position according to your actual requirements.

Step 7

Secure the knob of the bracket to fix the camera.

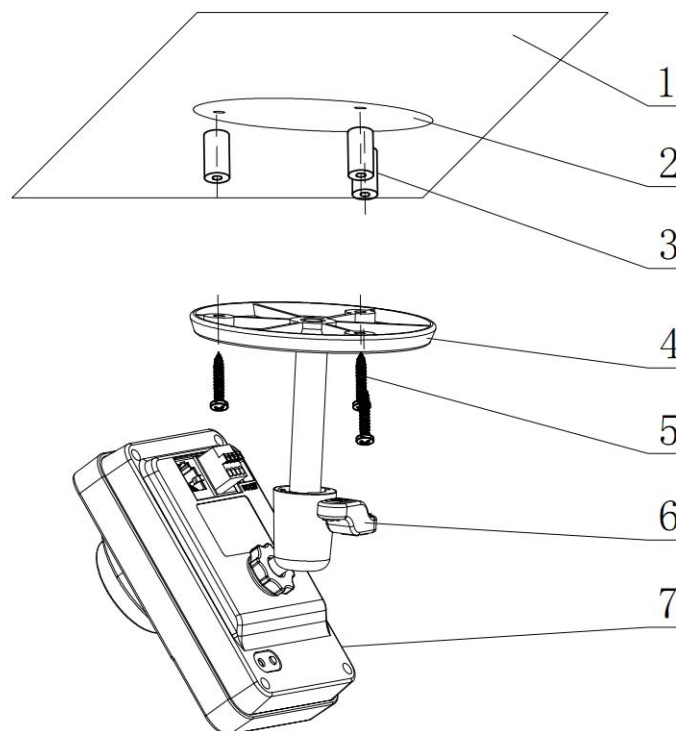


Figure 2-1

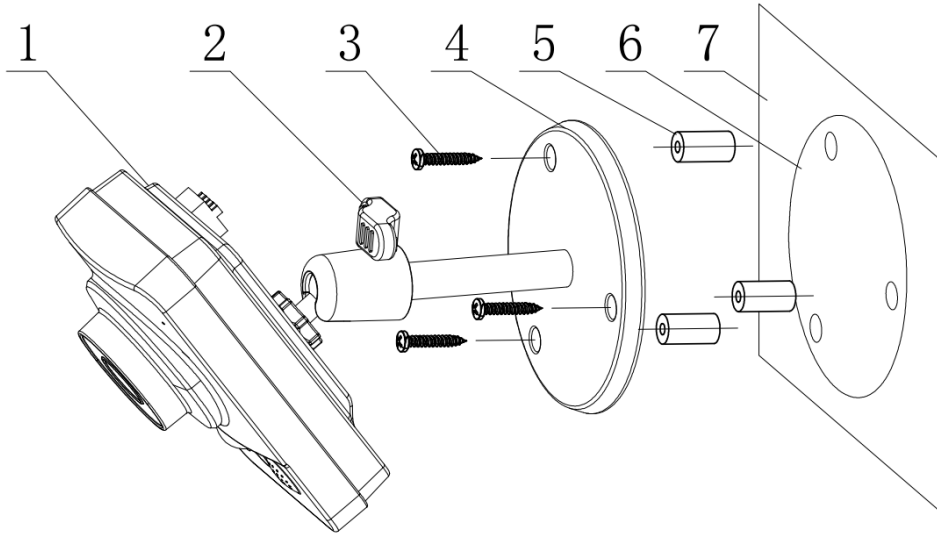


Figure 2-2

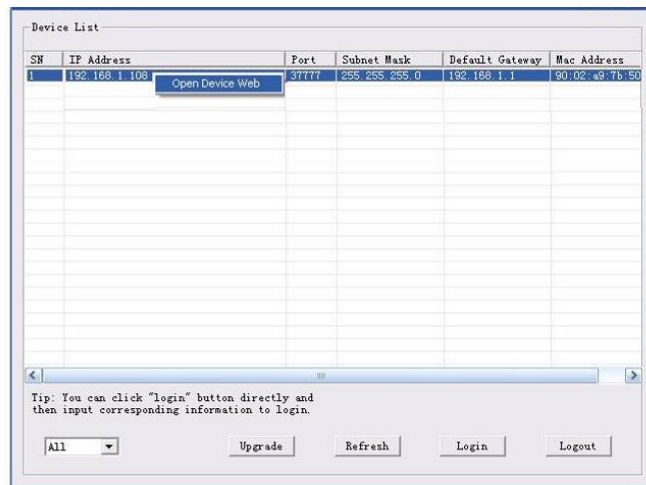


Figure 3-2

Select the “Open Device Web” item; you can go to the corresponding web login interface. See Figure 3-3.

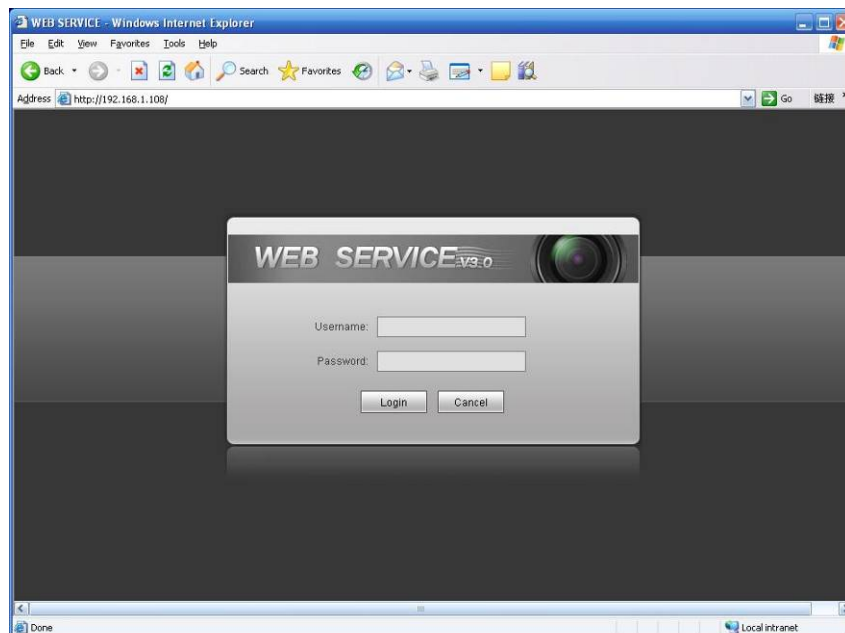


Figure 3-3

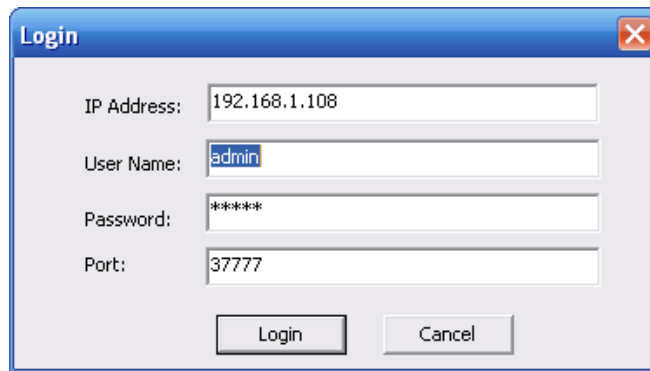
If you want to modify the device IP address without logging in the device web interface, you can go to the configuration tool main interface to set.

In the configuration tool search interface (Figure 3-1), please select a device IP address and then double click it to open the login interface. Or you can select an IP address and then click the Login button to go to the login interface. See Figure 3-4.

In Figure 3-4, you can view device IP address, user name, password and port. Please modify the corresponding information to login.

Please note the port information here shall be identical with the port value you set in TCP port in Web Network interface. Otherwise, you can not login the device.

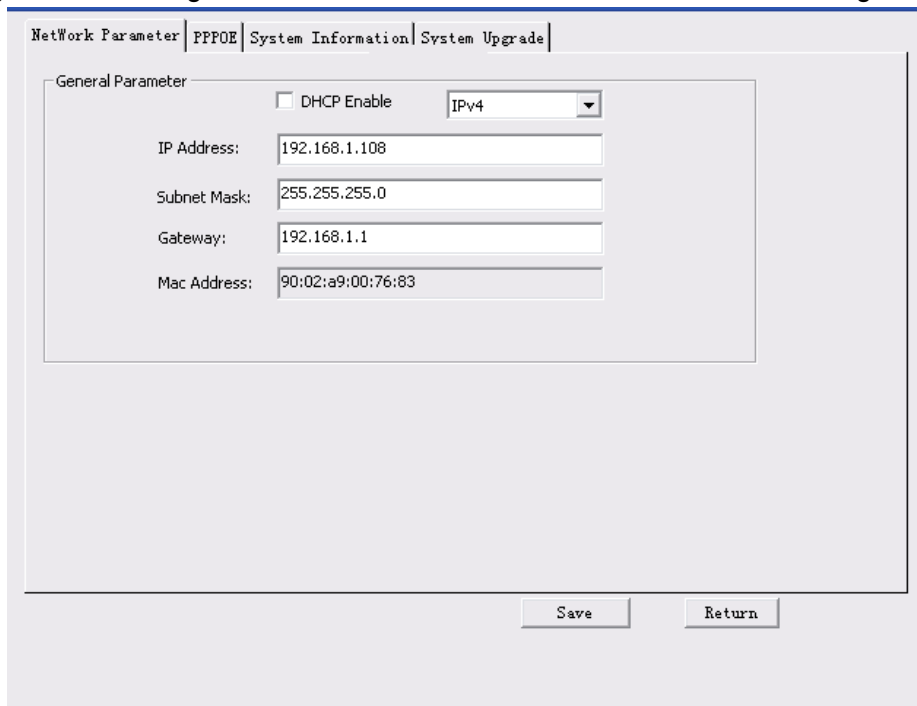
If you are using device background upgrade port 3800 to login, other setups are all invalid.



A login dialog box titled "Login" with a close button in the top right corner. It contains four input fields: "IP Address" with the value "192.168.1.108", "User Name" with the value "admin", "Password" with the value "*****", and "Port" with the value "37777". At the bottom, there are two buttons: "Login" and "Cancel".

Figure 3-4

After you logged in, the configuration tool main interface is shown as below. See Figure 3-5.



The main interface of the configuration tool, titled "NetWork Parameter | PPPoE | System Information | System Upgrade". The "NetWork Parameter" tab is selected. It features a "General Parameter" section with a "DHCP Enable" checkbox (unchecked) and an "IPv4" dropdown menu. Below this are four input fields: "IP Address" (192.168.1.108), "Subnet Mask" (255.255.255.0), "Gateway" (192.168.1.1), and "Mac Address" (90:02:a9:00:76:83). At the bottom right, there are "Save" and "Return" buttons.

Figure 3-5

For detailed information and operation instruction of the quick configuration tool, please refer to the *Quick Configuration Tool User's Manual* included in the resources CD.

4 Web Operation

These series network camera products support the Web access and management via PC. Web includes several modules: Monitor channel preview, system configuration, alarm and etc.

4.1 Network Connection

Please follow the steps listed below for network connection.

- Make sure the network camera has connected to the network properly.
- Please set the IP address, subnet mask and gateway of the PC and the network camera respectively. Network camera default IP address is 192.168.1.108. Subnet mask is 255.255.255.0. Gateway is 192.168.1.1
- Use order ping `***.***.***.***`(* network camera address) to check connection is OK or not.

4.2 Login and Logout

Open IE and input network camera address in the address bar.

For example, if your camera IP is 192.168.1.108, then please input `http:// 192.168.1.108` in IE address bar. See Figure 4-1.

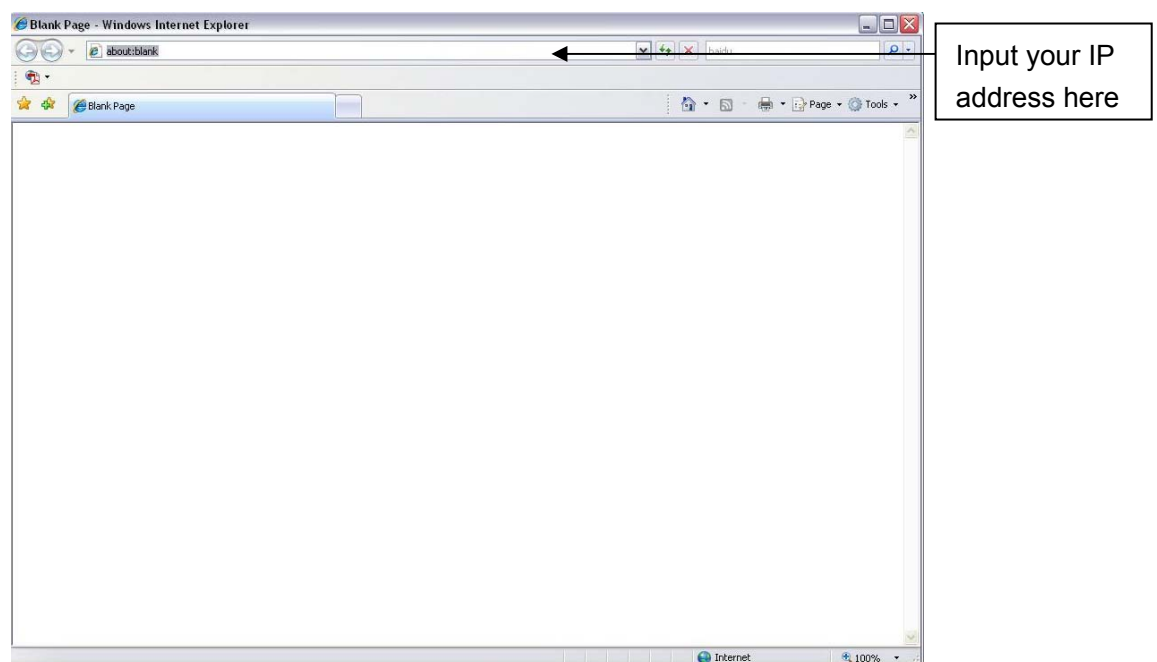


Figure 4-1

The login interface is shown as below. See Figure 4-2.

Please input your user name and password.

Default factory name is admin and password is admin.

Note: For security reasons, please modify your password after you first login.

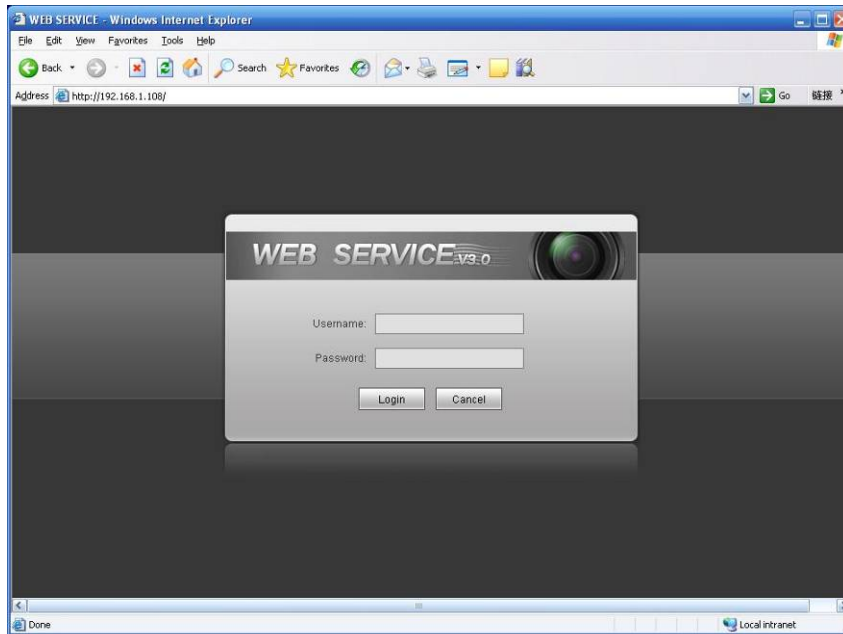


Figure 4-2

If it is your first time to login in, system pops up warning information to ask you whether install control webrec.cab or not after you logged in for one minute. Please click OK button, system can automatically install the control. When system is upgrading, it can overwrite the previous Web too. If you can't download the ActiveX file, please check whether you have installed the plug-in to disable the control download. Or you can lower the IE security level. See Figure 4-3.

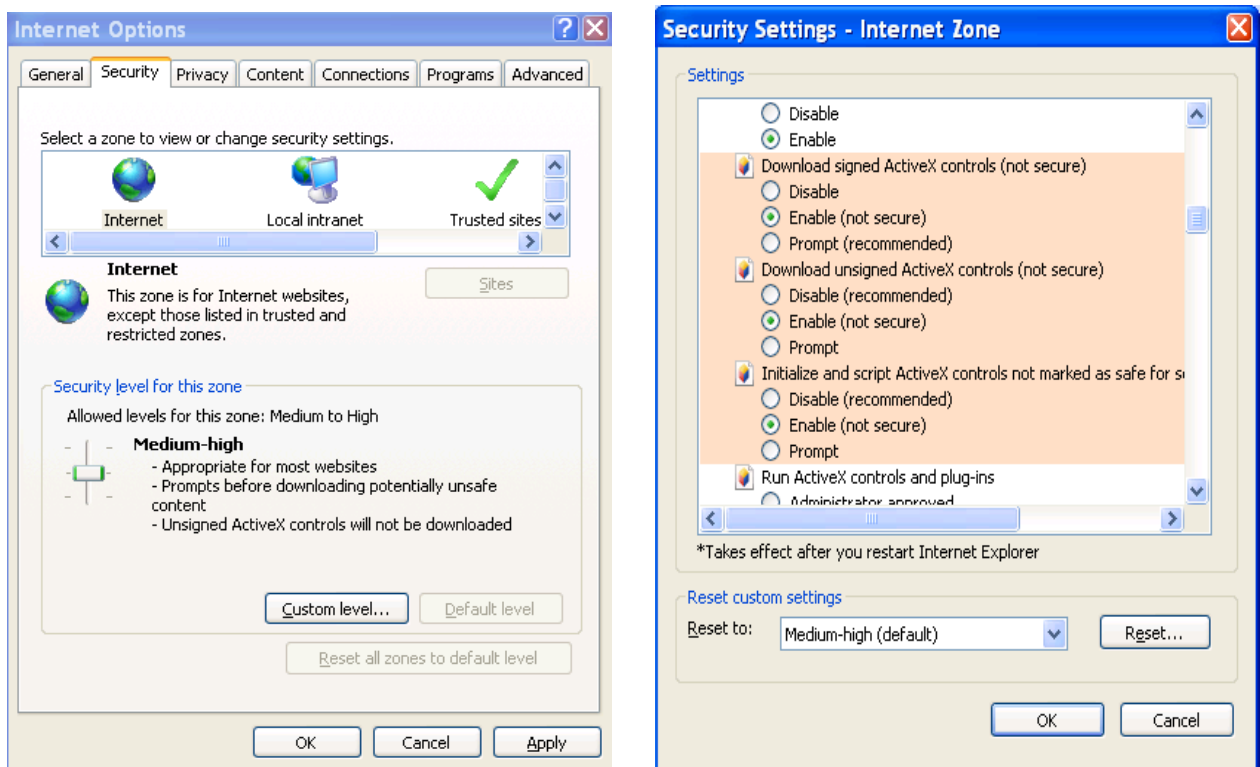


Figure 4-3

After you logged in, you can see the main window. See Figure 4-4.

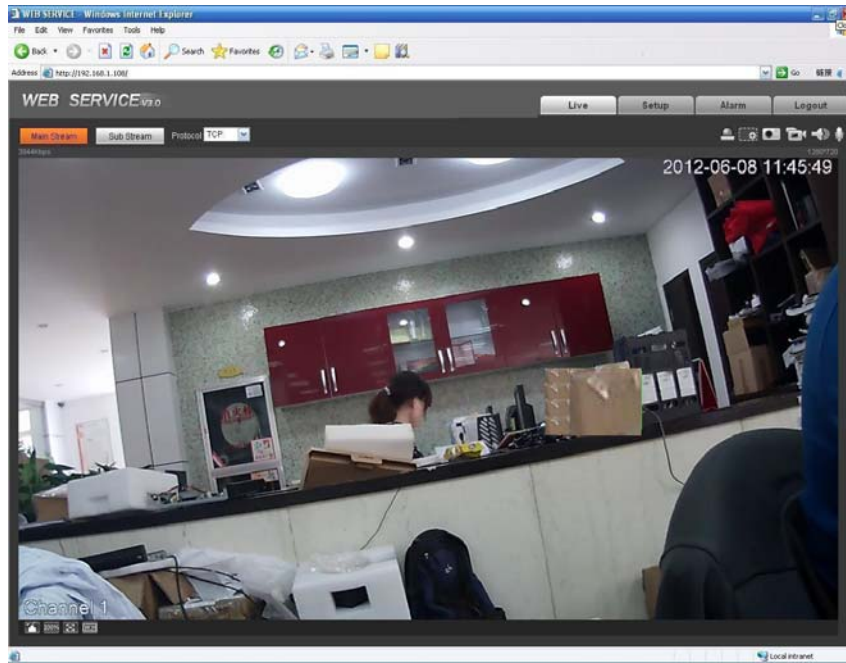


Figure 4-4

Please refer to the Web Operation Manual included in the resource CD for detailed operation instruction.

5 FAQ

Bug	
I can not boot up the device.	Please click RESET button for at least five seconds to restore factory default setup.
SD card hot swap	Before draw out SD card, please stop record or snapshot first and then wait for at least 15 seconds to remove the SD card. All the operations before is to maintain data integrity. Otherwise you can lose all the data in the SD card!
SD card write times	Do not set the SD card as the storage media to storage the schedule record file. It may damage the SD card duration.
I can not use the disk as the storage media.	When disk information is shown as hibernation or capacity is 0, please format it first (Via Web).
Recommended SD card brand	Kingston 4GB,Kingston 16GB,Kingston32GB,Transcend 16GB, SanDisk 4GB, SanDisk 32GB. Usually we recommend the 4GB (or higher) or industry-level high speed card in case the slow speed results in data loss.
I can not use PIR function.	There are heating sources around the device environment. It may result in false alarm. The detect object is too long. The PIR sensitivity becomes lower greatly when the distance is more than 6m.
I can not upgrade the device via network.	When network upgrade operation failed, you can use port 3800 to continue upgrade.
I can not login the client-end or the WEB.	<ul style="list-style-type: none"> ● For Windows OS 98 or Windows ME user, if you can not install the client-end or can not view after the installation. We recommend the win2000sp4 OS or install the client-end of the low version. ● The Active X control is blocked. ● The display card version shall be dx8.1 or higher. ● Network connection error occurred. ● Invalid network setup. ● Invalid user name or password.
I can not play the download file.	<ul style="list-style-type: none"> ● There is no player. ● There is no DX8.1 or higher. ● For the MEDIA PLAYER, there shall be Div X503Bundle.exe plugin if you play the .AVI file. ● For Windows XP user, you need to install the plugin DivX503Bundle.exe and ffdsho-2004 1012.exe.
To guarantee setup update	After you modified the important setup, please reboot the device via the software to make sure the setup has been updated to the storage medium.

Bug	
Power adapter	<ul style="list-style-type: none"><li data-bbox="539 219 1388 320">● The general power adapter can work ranging from 0°C to 40 °C. The device may result in unstable power supply when the temperature exceeds the working temperature.<li data-bbox="539 331 1388 385">● Please replace an industry-level power adapter if you are using in the harsh environments.

Appendix Toxic or Hazardous Materials or Elements

Component Name	Toxic or Hazardous Materials or Elements					
	Pb	Hg	Cd	Cr VI	PBB	PBDE
Circuit Board Component	○	○	○	○	○	○
Device Case	○	○	○	○	○	○
Wire and Cable	○	○	○	○	○	○
Packing Components	○	○	○	○	○	○
Accessories	○	○	○	○	○	○

O: Indicates that the concentration of the hazardous substance in all homogeneous materials in the parts is below the relevant threshold of the SJ/T11363-2006 standard.

X: Indicates that the concentration of the hazardous substance of at least one of all homogeneous materials in the parts is above the relevant threshold of the SJ/T11363-2006 standard. During the environmental-friendly use period (EFUP) period, the toxic or hazardous substance or elements contained in products will not leak or mutate so that the use of these (substances or elements) will not result in any severe environmental pollution, any bodily injury or damage to any assets. The consumer is not authorized to process such kind of substances or elements, please return to the corresponding local authorities to process according to your local government statutes.

Note:

- **This quick start guide is for reference only. Slight difference may be found in user interface.**
- **All the designs and software here are subject to change without prior written notice.**
- **All trademarks and registered trademarks mentioned are the properties of their respective owners.**
- **If there is any uncertainty or controversy, please refer to the final explanation of us.**
- **Please visit our website or contact your local service engineer for more information.**