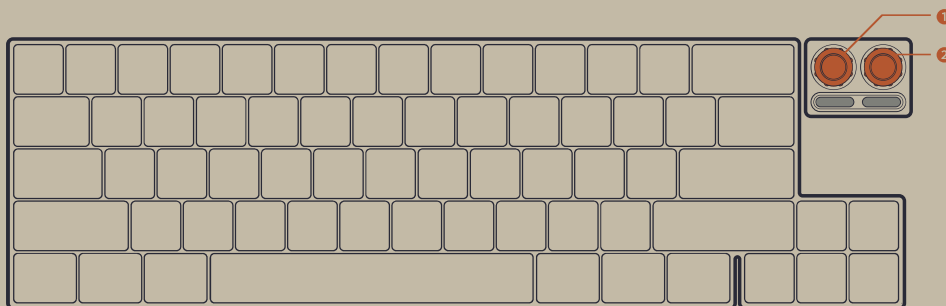




手里键Hanzo 65%静电容V2机械键盘说明书
Shurikey Hanzo 65% EC V2 Mechanical Keyboard Manual

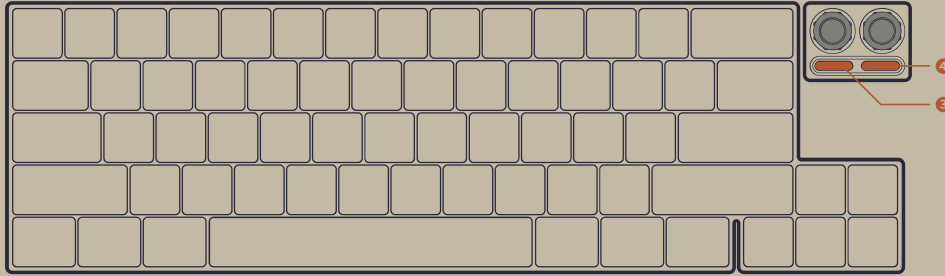


01



- ① 左边旋钮控制背光:轻按旋钮开启或关闭背光。顺时针旋转增强亮度,逆时针旋转降低亮度。
The left knob is to adjust the backlight. Press the knob to switch on/off the backlight. Turn clockwise to increase the brightness and counterclockwise to decrease.
- ② 右边旋钮控制音量:轻按旋钮开启或关闭声音。顺时针旋转增大音量,逆时针旋转减小音量。
The right knob is the volume control. Press the knob to switch on/off media sound. Turn clockwise for volume up and counterclockwise for volume down.

02



- 3 左侧灯为Caps Lock指示灯:大写时亮白灯,小写时灯熄灭。
The left one is the Caps Lock indicator. It lights up in white for uppercase input mode; lights off for lowercase input mode.
- 4 右侧灯为F行功能指示灯:亮白灯时为F行功能键,灯灭则切换为数字行功能
The right one is the F row indicator. When it lights up in white, the F keys are enabled. When it is off, the keys toggle back to numbers.

03

- 2秒内轻敲3下空格键, 键盘开机。
Press the Space Bar for three times within two seconds to turn on the keyboard.

- 开机后, 默认键盘背光灯全亮。若要切换成指示灯查看连接状态, 需按Fn + 右侧Alt键。
All LED will be lit as default after the keyboard powers on. To check the connection indicator, please press Fn + the right Alt.
- 键盘最多可同时连接3台蓝牙设备。数字键1、2、3的指示灯代表分别对应三台蓝牙设备。灯亮表示已连接, 灯光闪烁则代表未连接设备。
The keyboard can connect to three Bluetooth devices at the same time. The indicators on number 1 to 3 represent the three devices respectively -- lights up for connected state while flashes means no connection detected.
- 可随时通过Fn + 右侧Alt的按键组合切换查看指示灯和背光灯。
Press Fn + the right Alt at any time to toggle between indicator lights and back lights.

04

- 键盘开机后, 在需要连接的设备搜索蓝牙键盘。数字1至3频道下搜索到的蓝牙键盘名称分别为“WK-VD01”、“WK-VD02”和“WK-VD03”。
After the keyboard is powered on, search for Bluetooth Keyboard on your device. The name of the keyboard is shown as “WK-VD01”, “WK-VD02” or “WK-VD03”.
- 第一次配对需要输入密码, 并按Enter确认。配对成功后, 对应的数字键指示灯常亮。下次键盘开机将自动连接该设备。
Password is required for the first matching. Then press Enter to confirm connection. The corresponding indicator light will be lit. The device will be set as default connection.
- 记忆功能: 如果有连接过设备, 开机之后直接连接最后一次连接的设备。(蓝牙发射时间为5分钟, 如时间内没有设备连接, 则键盘自动进入睡眠状态)
Bluetooth memory: The Bluetooth will automatically connect to the latest gadget. The Bluetooth launcher lasts for five minutes, during which the keyboard will automatically enter sleep mode if no connection is detected.

- 蓝牙状态下, 长按3秒Fn + Delete关机。
In Bluetooth mode, press and hold Fn + Delete for three seconds to turn off the keyboard.

- 通过Fn + Delete的按键组合在有线和蓝牙模式之间切换。从有线切换至蓝牙时, CapsLock指示灯闪3下, 键盘自动连接上一次配对的蓝牙设备; 若未连接过设备, 数字键1、2或3的蓝牙指示灯闪烁, 对应的频道进入配对模式。由蓝牙切换为有线时, Caps Lock指示灯闪1下, 数字1、2、3键蓝牙指示灯灭。
With the key combination of Fn + Delete, users can switch the keyboard between wired mode and Bluetooth mode. From wired to Bluetooth mode, the CapsLock indicator will flash for three times, the keyboard will then automatically connect to the latest gadget. If no connection is detected, the Bluetooth indicator light on number 1, 2 or 3 will flash, the corresponding channel will enter matching mode. From Bluetooth to wired mode, the Caps Lock indicator will flash for once, and then the indicator on number 1 to 3 will light off.
- 在有线模式和蓝牙模式下, 按Fn + Q、W、E可在数字1、2、3对应频道的设备间切换。若该频道未连接过设备, 蓝牙指示灯闪烁, 进入配对模式。
In both wired mode and Bluetooth mode, press Fn + Q/W/E to swiftly switch among the Bluetooth devices connected under Channel 1 to 3. If the channel doesn't detect a connection, the Bluetooth indicator will flash and enter matching mode.
- 在有线模式下, 拔掉USB线后键盘会切换到蓝牙模式, 并自动连接上一次配对的设备。若未连接过设备, 对应的指示灯闪烁, 进入配对模式。
In wired mode, with the USB cable unplugged the keyboard will switch to Bluetooth mode and automatically connect to the latest gadget. If no connection is detected, the Bluetooth indicator light will flash and enter matching mode.

- 关机状态下插入USB线后键盘进入有线模式。
When the keyboard is powered off, plug in the USB cable and the keyboard will enter wired mode.
- 在蓝牙模式下,插入USB线后键盘会切换到有线模式,蓝牙指示灯熄灭。
In Bluetooth mode, with the USB cable plugged in the keyboard will switch to wired mode and the Bluetooth indicator will light off.

▶ 省电模式 Power Saving Mode

蓝牙模式下才能设置省电模式。默认设置下,若30分钟未使用,键盘将自动进入省电模式。可通过轻按空格键关闭省电模式。

Power saving mode can only be set in Bluetooth mode. As the default setting, the keyboard will automatically enter power saving mode in 30 minutes if no key press is detected. To disable, please press Space.

- 长按3秒Fn + Ctrl + 1, Caps Lock灯闪三下,若5分钟未使用,键盘将进入省电模式。
Press and hold Fn + Ctrl + 1 for three seconds, Caps Lock will flash for three times. Then the keyboard will enter power saving mode in 5 minutes if no key press is detected.
- 长按3秒Fn + Ctrl + 2, Caps Lock灯闪三下,若30分钟未使用,键盘将进入省电模式。
Press and hold Fn + Ctrl + 2 for three seconds, Caps Lock will flash for three times. Then the keyboard will enter power saving mode in 30 minutes if no key press is detected.
- 长按3秒Fn + Ctrl + 3, Caps Lock灯闪三下,键盘将不会进入省电模式。
Press and hold Fn + Ctrl + 3 for three seconds, Caps Lock will flash for three times. Then the keyboard will not enter power saving mode.

07



▶ 睡眠模式 Sleep Mode

- 有线模式下,键盘会与电脑一同进入睡眠模式。轻按空格键唤醒。
In wired mode, the keyboard will enter sleep mode with the computer. Press Space to wake up the keyboard.
- 蓝牙模式下,键盘会与电脑一同进入睡眠模式。电脑关机5分钟后,键盘会进入睡眠。电脑开机后,轻按空格键唤醒。
In Bluetooth mode, the keyboard will enter sleep mode with the computer or in five minutes after the computer is powered off. When the computer is powered on, press Space to wake up the keyboard.

▶ 游戏模式 Game Mode

- 有线模式下,键盘开启时默认为普通模式,综合触发延迟10ms。
In wired mode, the keyboard is set as PC mode when powered on with 10ms of general latency.
- 普通模式下长按3秒Fn + Backspace, Caps Lock指示灯快闪5次,切换为游戏模式,综合触发延迟降低为5ms。
Press and hold Fn + Backspace for three seconds till the Caps Lock indicator quickly flashes for five times, the keyboard will switch to game mode with 5ms latency.
- 游戏模式下长按3秒Fn + Backspace, Caps Lock指示灯慢闪5次,切换回普通模式。
Press and hold Fn + Backspace for three seconds till the Caps Lock indicator slowly flashes for five times, the keyboard will switch back to PC mode.

08

▶ 重新配对 Pair New Devices

- 长按5秒Fn + Q/W/E键, 断开对应频道的蓝牙连接。蓝牙指示灯闪烁后键盘重新进入配对模式。
Press and hold Fn + Q/W/E for five seconds to disconnect corresponding Bluetooth connection. The indicator light will flash and then the keyboard will enter pairing mode again.

▶ 低电量提示 Low Battery Warning

- 当右侧指示灯红蓝交替闪烁时, 键盘电量低, 需要尽快充电。低电量提示10分钟后, 若仍未充电, 键盘将自动关机。
When the right indicator light flashes in red and blue, it means the battery is running out. If no charging detected in 10 minutes after the low battery warning, the keyboard will be automatically turned off.

▶ 充电提示 Charging Notification

- 任何电脑, 充电器, 或移动电源在内的5V电源均可充电。充电时按Fn + 右Alt键查看充电状态, Esc指示灯常亮表示充满电, 闪烁表示正在充电。有线模式下键盘自动充电。
All 5V power supplies including computer, charger or power bank can charge the keyboard. During charging, press Fn + the right Alt to check the ESC indicator light. If it lights up, the battery is full; it flashes, the battery is still charging. In wired mode, the keyboard will be charged automatically.

▶ 灯光效果 Light Effects

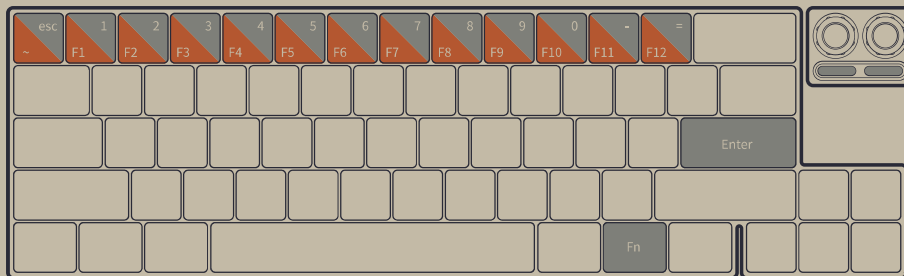
灯效 Light Effects	亮度调节 Brightness Adjustment	速度调节 Speed Adjustment
常亮 Always Lit	可调节 √	不可调 ×
单点亮 Single Key	不可调 ×	可调节 √
涟漪 Wave Mode	可调节 √	可调节 √
呼吸 Breathing Mode	不可调 ×	可调节 √
心电图 EKG	可调节 √	可调节 √
流光 Streamer	不可调 ×	可调节 √

- 出厂默认灯效为“常亮”, 通过下一页的按键组合方式进行灯效切换。
The default light effect is set as “Always Lit”. Please refer to Light Controls on the next page to change light effects through key combinations.

按键组合 Key Combination	功能 Function
Fn + ↑ Fn + ↑	上一个灯效 (循环) Previous Effect (Loop)
Fn + ↓ Fn + ↓	下一个灯效 (循环) Next Effect (Loop)
Fn + ← Fn + ←	灯效速度减慢 Lower the Speed
Fn + → Fn + →	灯效速度加快 Speed Up the Light Effect

按键组合 Key Combination	功能 Function
Fn + U Fn + U	上一曲 Skip Back
Fn + I Fn + I	暂停/播放 Pause/Play
Fn + O Fn + O	下一曲 Skip Next
Fn + Z Fn + Z	音乐 Music
Fn + X Fn + X	邮件 Email
Fn + C Fn + C	计算器 Calculator
Fn + V Fn + V	我的电脑 This PC

按键组合 Key Combination	功能 Function
Fn + P	Print Screen
Fn + [Scroll Lock
Fn +]	Pause
Fn + ;	Home
Fn + `	End
Fn + ,	Page Up
Fn + .	Page Down
Fn + L	Insert



- Fn + Enter, 右侧指示灯亮起, 切换为F行功能键; 再次按Fn + Enter, 指示灯灭, 切换回数字键。
Press Fn + Enter, the right indicator lights up, F keys are enabled. Press Fn + Enter again, the right indicator lights off, the keys toggle back to numbers.
- 数字键时: 通过Fn+对应的按键, 触发F行功能, 例如: Fn + 1 = F1
When numbers are enabled, press Fn and the corresponding number for F key functions, like Fn + 1 = F1.
- F行功能键时: 可通过Fn+相对应的按键, 触发数字行功能, 例如: Fn + F1 = 1
When F keys are enabled, press Fn and the corresponding number for numbers, like Fn + F1 = 1.

▶ 其他功能 Other Functions

- Fn + Alt + Win键, 锁定或解锁Win键。
Press Fn + Alt + Win, lock/unlock Win.
- 长按3秒Fn + 左Ctrl, Caps Lock指示灯闪三下, Caps Lock与左Ctrl键值互换。再次长按3秒Fn + Caps Lock, 重置键值。
Press and hold Fn + the left Ctrl for three seconds, Caps Lock indicator light flashes for three times, Caps Lock and the left Ctrl toggle. Press the same key combination for three seconds to toggle back.
- 蓝牙模式下六键无冲。有线模式下默认全键无冲, 并且可通过长按3秒Fn + S在六键无冲与全键无冲之间切换。
Six-key anti-ghosting for Bluetooth mode. All-key anti-ghosting for wired mode as default. Press and hold Fn + S for three seconds to switch between six-key and all-key anti-ghosting.

▶ 恢复出厂设置 Reset

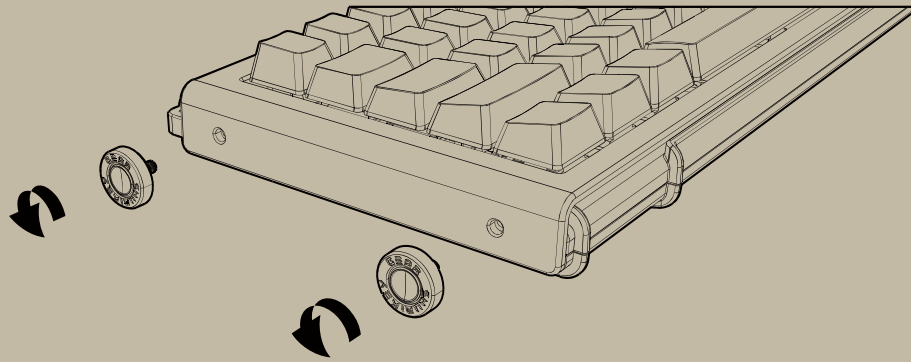
- 恢复键值: Fn + D + Backspace, Caps Lock指示灯闪三下, 键盘键值恢复出厂设置。
Reset the key settings: Press Fn + D + Backspace, Caps Lock indicator light flashes for three times, all key settings will be reset to original manufacturer settings.
- 恢复出厂: Fn + D长按3秒, Caps Lock指示灯闪三下, 键值、灯效、蓝牙连接记录全部恢复出厂设置。
Factory Reset: Press and hold Fn + D for three seconds, Caps Lock indicator light flashes for three times, all key codes, light effects and Bluetooth connection history will all be factory reset.

15

▶ 系统兼容 System Compatibility

- 兼容Win8、Win10、Win11、Mac OS (特殊键值非完全兼容) (设备自带或者外接蓝牙为4.0及以上)。
This keyboard is compatible to Win8, Win10, Win11, MAC OS (special key codes not fully compatible).
Other types of Bluetooth should be updated to no less than 4.0 for compatibility.

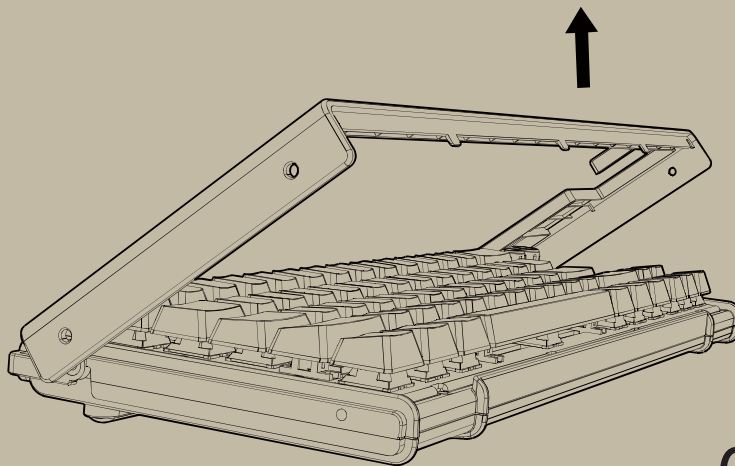
16



- 旋转两侧铆钉, 将其取下。
Turn anticlockwise to remove the rivets.

01

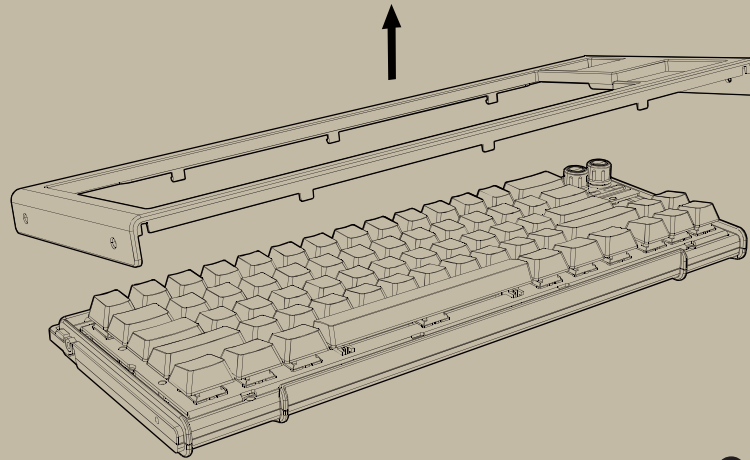
17



- 将键盘上盖前端向上抬起。
Lift the front of the top case as shown.

02

18



- 如图所示, 拆卸上盖。若要将上盖重新装上, 将三个步骤反过来操作即可。
Gently pull out the top case as shown. If you want to install the top case back, just do it in a reverse way.

03

19

- FCC WARNING

This device complies with part 15 of the FCC Rules. Operation is subject to the following two conditions: (1) this device may not cause harmful interference, and (2) this device must accept any interference received, including interference that may cause undesired operation.

Any changes or modifications not expressly approved by the party responsible for compliance could void the user's authority to operate the equipment.

NOTE: This equipment has been tested and found to comply with the limits for a Class B digital device, pursuant to Part 15 of the FCC Rules. These limits are designed to provide reasonable protection against harmful interference in a residential installation. This equipment generates, uses and can radiate radio frequency energy and, if not installed and used in accordance with the instructions, may cause harmful interference to radio communications. However, there is no guarantee that interference will not occur in a particular installation.

If this equipment does cause harmful interference to radio or television reception, which can be determined by turning the equipment off and on, the user is encouraged to try to correct the interference by one or more of the following measures:

- Reorient or relocate the receiving antenna.
- Increase the separation between the equipment and receiver.
- Connect the equipment into an outlet on a circuit different from that to which the receiver is connected.
- Consult the dealer or an experienced radio/TV technician for help.

FCC RF exposure statement:

The device has been evaluated to meet general RF exposure requirement.

The device can be used in portable exposure condition without restriction.

FCC ID: 2AF80-SKB65

Warning: Changes or modifications to this unit not expressly approved by the part responsible for compliance could void the user's authority to operate the equipment

