

# AT001 FM Transmitter User's manual



## Contents

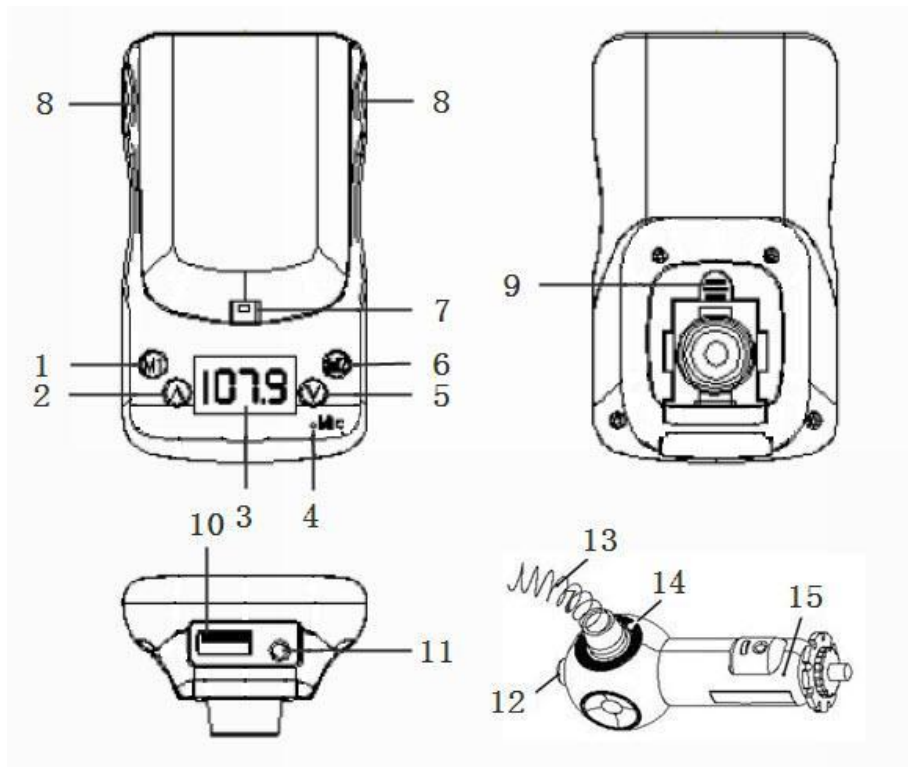
■ About AT001.....	1
■ Overview.....	1
■ How to use.....	2
■ Manually setting a frequency.....	4
■ Clear scan.....	4
■ Storing a preset frequency.....	5
■ Selecting a preset frequency.....	6
■ Making a call with AT001.....	6
■ Using other music players.....	6
■ Charging/powering other devices.....	7
■ Basic operations.....	8
■ Care and maintenance.....	8
■ FAQs.....	9
■ Technical parameters.....	9


Welcome to use this FM Transmitter, AT001. Please read this user's manual carefully before use.

## ■ About AT001

AT001 is a car FM transmitter especially for myTouch, it can not only transmit music wirelessly from your myTouch to any FM radios, but also charge your myTouch. Besides, this product adopts unique structure design, it is very convenient to use.

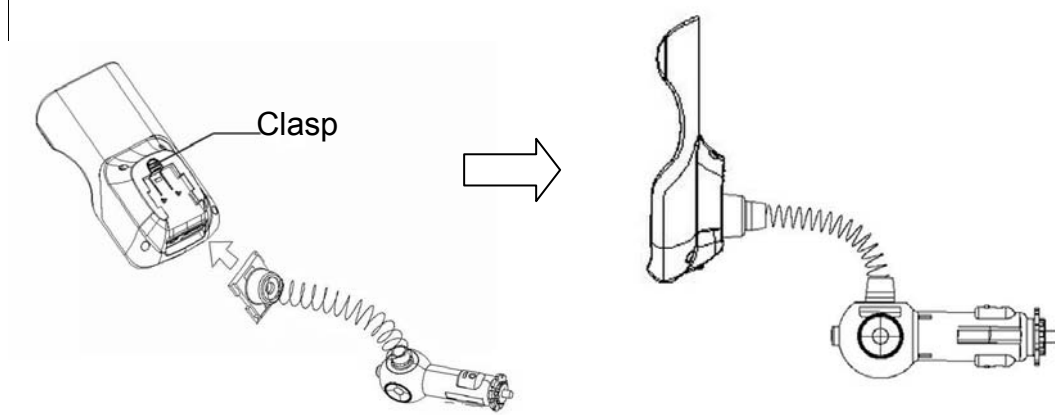
## ■ Overview



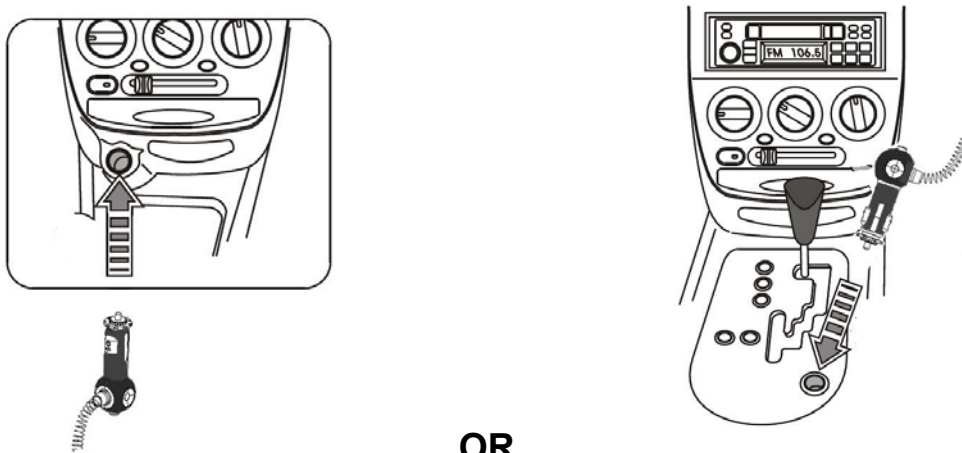
1	Digital button M1	9	Clasp
2	^ button	10	USB charging socket
3	Display	11	3.5mm line-in port
4	Microphone	12	Power switch 
5	∨ button	13	Flexible neck
6	Digital button M2	14	Power LED indicator
7	Connecting plug	15	Cigarette lighter plug
8	Slot		

■ **How to use**

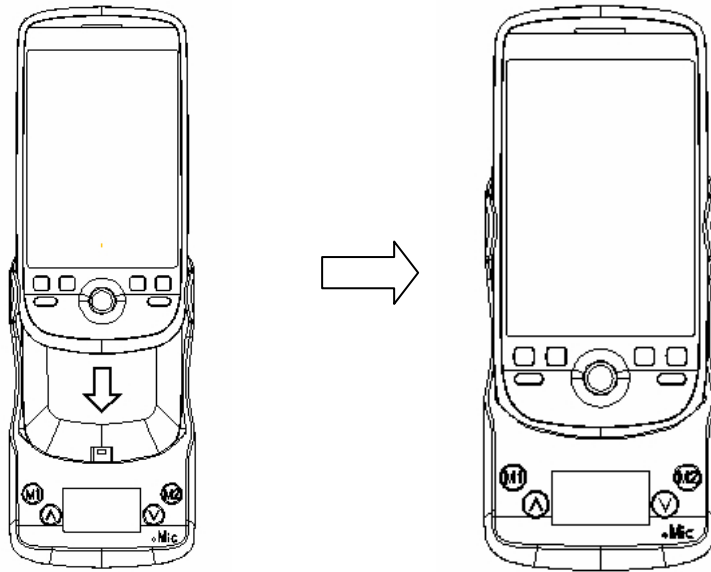
1. Connect the cigarette lighter plug with flexible neck into the main body of the transmitter, as the following pictures show:



2. Insert the cigarette lighter plug into your car's cigarette lighter socket, and make sure connect correctly, as the following pictures show:

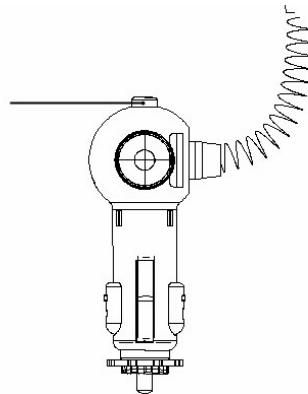


3. Carefully insert your myTouch along the slot into the connecting plug from the top of the transmitter, as the following pictures show:



4. Press down the power switch to switch on the transmitter, at this time, the power LED indicator of the transmitter is on. If you want to switch off the transmitter, please do the same operation, the power LED indicator of the transmitter will be off. As the following picture show:

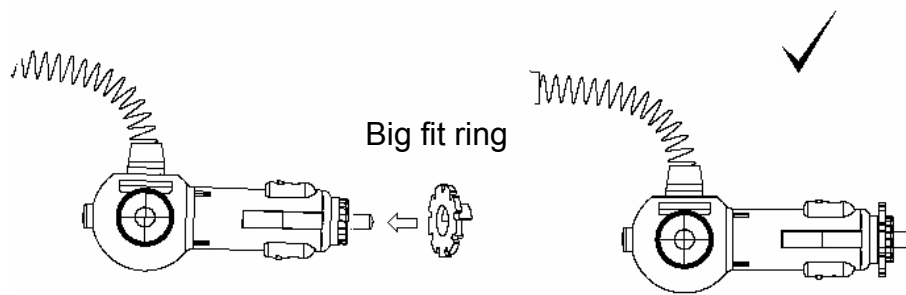
Press down the power switch to switch on/off the transmitter



5. Bend the flexible neck to desired position.

### Using big fit ring

Cigarette lighter sockets vary in size in different vehicles (or power switches). In some cases, you have to install the big fit ring on the cigarette lighter plug, it can make the transmitter connect with car's cigarette lighter socket well, as the following pictures show:

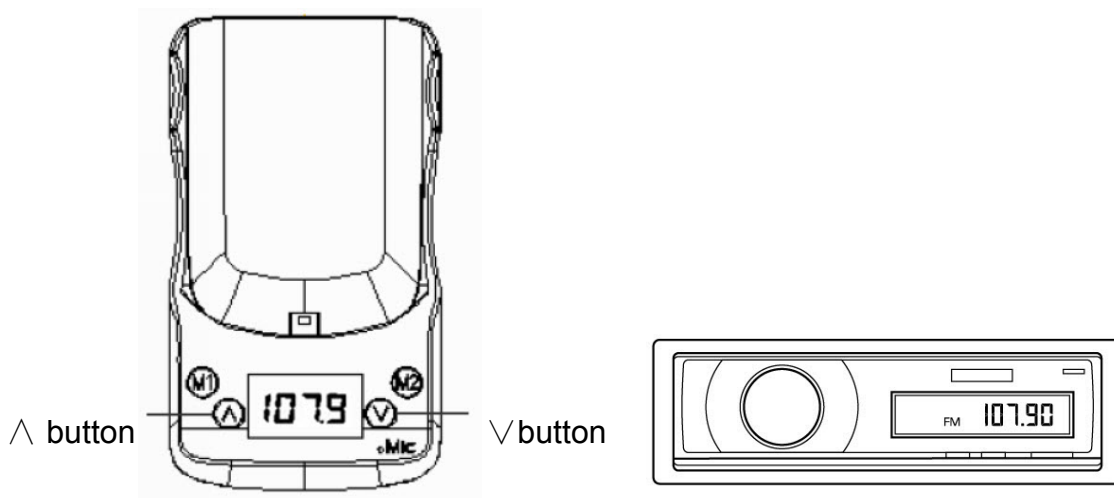


## ■ Manually setting a frequency

1. Adjust the frequency of the car FM radio to a frequency that is not broadcasting radio station.
2. Press  $\nabla$  button or  $\blacktriangle$  button on the transmitter to select a frequency to be same as the frequency of car FM radio.

### Remarks:

- ◆ Short press  $\nabla$  button (or  $\blacktriangle$  button) to increase (or reduce) 0.1MHz.
- ◆ When press and hold  $\nabla$  button (or  $\blacktriangle$  button) all the time, the frequency will be increased (or reduced) quickly (1MHz/step).



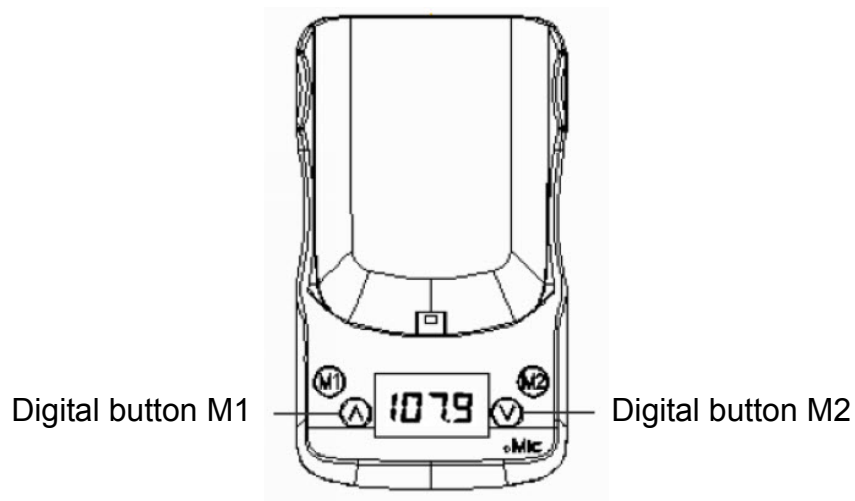
## ■ Clear scan

1. Press and hold  $\nabla$  button and  $\blacktriangle$  button simultaneously for about 3 seconds, the transmitter will automatically search a frequency that is not used by other broadcasting radio stations.
2. Adjust the frequency of car FM radio to be same as the frequency displayed on the transmitter.
3. If there is a frequency interference, please repeat the above steps 1-2 until finding a clear frequency.

## ■ Storing a preset frequency

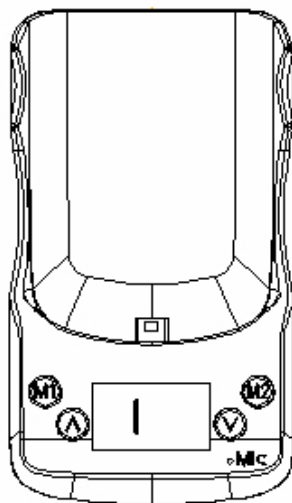
1. Press  $\nabla$  button or  $\wedge$  button to select a frequency that you want to store.
2. Press and hold digital button M1 or M2 for about 3 seconds to store the current frequency into digital button M1 or M2.

**Remark:** Press and hold digital button M1 or M2, the screen will display corresponding frequency, the frequency displayed currently will be stored into the digital button.

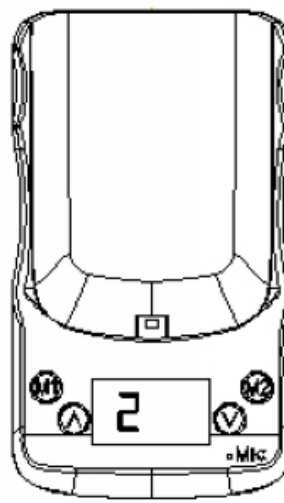


3. When frequencies are stored into corresponding digital buttons, the screen will display corresponding numbers.

**Frequency stored into M1**

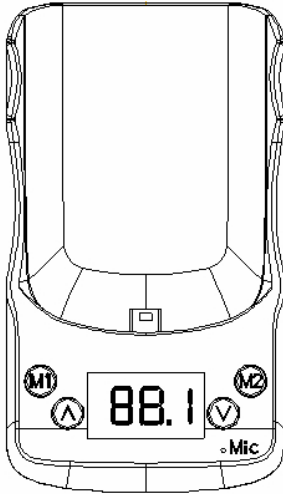


**Frequency stored into M2**



## ■ Selecting a preset frequency

Short press digital button M1 or M2, the transmitter will change to the preset frequency. For example, the preset frequency of digital button M1 is 88.1MHz, when short press digital button M1, the frequency is changed to 88.1MHz and the screen displays 88.1MHz.



When short press M1, the frequency is changed to 88.1 MHz.

## ■ Making a call with AT001

The transmitter has the function of handsfree communication. It can transmit the call to the car FM radio. Beside, it has built-in microphone, so it is very convenient for you to make a call when driving.

### Remarks:

- ◆ When there is an incoming call or you dial a phone number, the music will stop automatically, when the call is ended, the music will play again.
- ◆ The transmitter only has the functions of voice transmission and microphone. If you want to do other operations, such as answering/rejecting a call, dialing a phone number or ending a call and so on, you need to do that on your mobile phone.

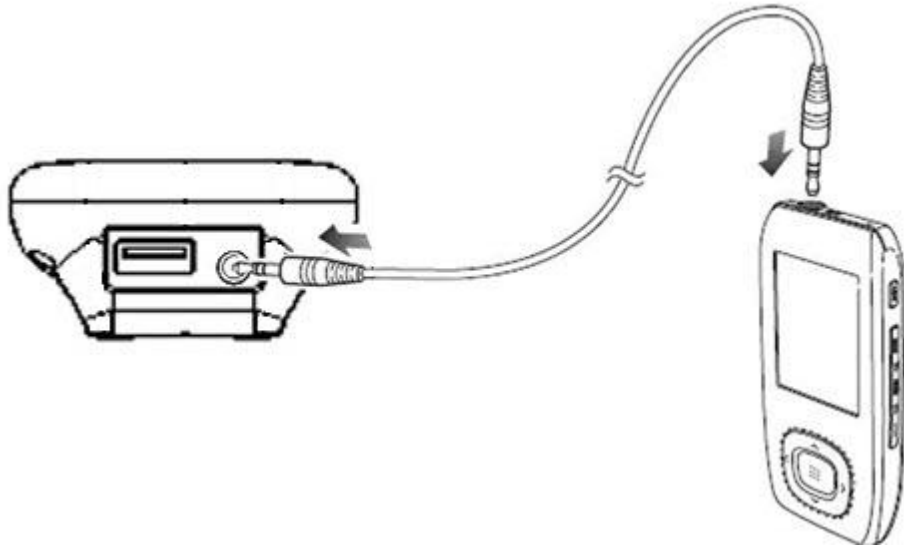
## ■ Using other music players

If you want to play music from other music players, you can use a 3.5mm to 3.5mm audio cable to connect line-out socket of music player to Audio-in socket of the transmitter, then you can enjoy music from car FM radio.

### Remarks:

- ◆ When AT001 connects to an audio device, the music from mobile phone will stop, and AT001 will play music from the audio device.
- ◆ When there is an incoming call, AT001 will switch to conversation mode automatically, when the call is ended, it will play music from the audio device automatically.

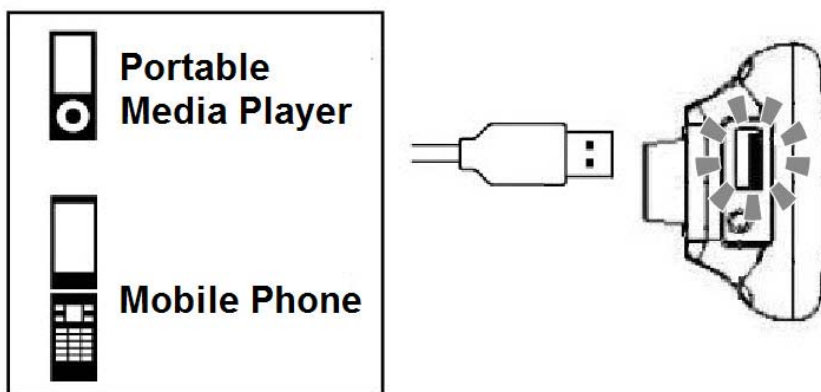




### ■ Charging/powering other devices

AT001 has a USB output socket (DC5V/500mA), you can charge other devices through this USB output socket.

Connect USB plug of USB cable into the USB socket of the transmitter, and then connect the other end of USB cable into other devices, now it can charge other devices.



## ■ Basic operations

Operation	Function
Press down power switch	Switch on/off the transmitter
Short press ∨ button	The frequency reduces 0.1MHz
Short press ∧ button	The frequency increases 0.1MHz
Press and hold ∨ button all the time	The frequency reduces quickly (1 MHz/Step)
Press and hold ∧ button all the time	The frequency increases quickly (1 MHz/Step)
Press ∨ and ∧ buttons simultaneously for about 3 seconds	Clear scan
Short press digital button M1 or M2	Selecting a preset frequency
Press and hold digital button M1 or M2 for about 3 seconds	Storing a preset frequency

## ■ Care and maintenance

Before using the AT1500, please read the following recommendations, it will help you to enjoy the product for many years.

- ◆ Keep dry and don't put it in the wet place, in order to avoid effecting the interior circuit of product.
- ◆ Don't put the product under the sunlight or place in hot areas. High temperature will shorten the life of electronic device and distort certain plastic.
- ◆ Don't expose AT001 to extreme temperatures, which may damage the internal circuit board.
- ◆ Don't try to take apart the product, it may damage the product if you are not professional.
- ◆ Don't fall off on the floor or knock the hard substance, it may damage interior circuit.
- ◆ Don't use intensify chemical or detergent to clean the product.
- ◆ Don't scrap the surface with sharp things.

If the product can't work normally, please send it to the regularly asserted store, the staff will help you to solve the problem warmly.

## ■ FAQs

### 1. Why can't switch on AT001?

- a) Please make sure you have already pressed down the power switch of the transmitter;
- b) Please make sure the transmitter connect to car power source correctly;
- c) Please make sure car power socket have power supply. The power sockets of some cars have not power supply in ignition mode or before starting the engine;
- d) If the above is invalid, May be the built-in fuse of the transmitter have been damaged, please try to replace the fuse.

### 2. Why is there other audio interference?

- a) Please make sure there are no other broadcasting radio stations in the current set frequency, or you have to re-set a frequency;
- b) Please make sure there are no other electronic devices near the transmitter.

### 3. Why is there no music?

- a) Please make sure the music player connect with the transmitter well;
- b) Please make sure the frequency of FM radio coincides with the frequency of the transmitter.

## ■ Technical parameters

Frequency range	88.1MHz - 107.9MHz
Rated Input	DC 12V === 1A
Rated Output	DC 5V === 500mA
Working Temperature	-10~45°C
Storage Temperature	-20~60°C
Dimensions	106×60×28mm
Weight	45g

This device complies with Part 15 of the FCC Rules. Operation is subject to the following two conditions: (1) this device may not cause harmful interference, and (2) this device must accept any interference received, including interference that may cause undesired operation.

Changes or modifications not expressly approved by the party responsible for compliance could void the user's authority to operate the equipment.