

BH501C

Bluetooth Headset

User Manual

■ Brief introduction	2
1. Bluetooth wireless communication technology.....	2
2. About BH501C.....	2
■ Before using	2
1. Overview.....	2
2. Charging the headset.....	3
■ Using the headset	3
1. Switching on/off the headset.....	3
2. Pairing the headset with Bluetooth mobile phone.....	4
3. Connecting the headset with Bluetooth device.....	4
4. Wearing the headset.....	5
5. Making call with the headset.....	6
6. Playing music.....	6
7. LED indicator.....	7
8. Indication tone.....	8
■ Care and maintenance	8
■ FAQs	8
■ Specification	9

Welcome to use this Bluetooth headset, BH501C. Please read this User Manual carefully before using it.

■ Brief introduction

1. Bluetooth wireless communication technology

Bluetooth is a standard of close range radio-communication technology that was drawn up by Ericsson, IBM, Intel, Nokia and Toshiba. Through Bluetooth technology, we can achieve the highest transmission rate among mobile phone, computer, printer, PDA and other devices. The max transmit range of class 2 is 10 meters while the max radio-communication range of class 1 can reach up to 100 meters.

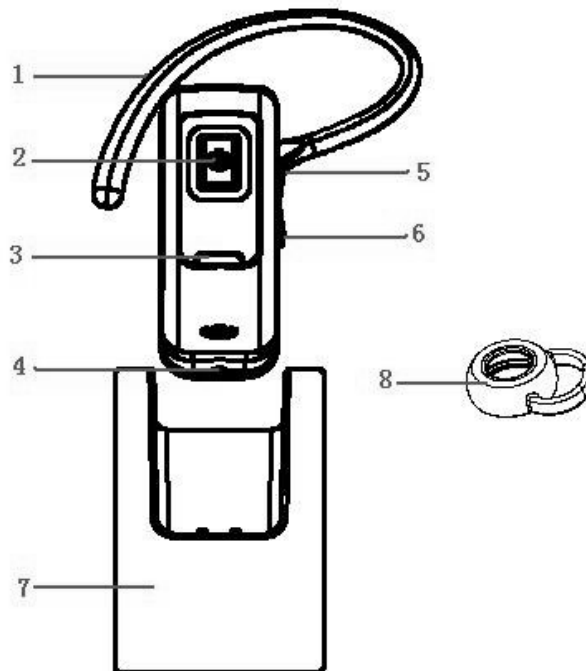
2. About BH501C

BH501C is a Bluetooth headset. It has the following features:

- ◆ Answer, end and reject call from the headset
- ◆ Redial last number
- ◆ Adjust volume
- ◆ Switch the conversation between the headset and Bluetooth mobile phone
- ◆ Microphone mute

■ Before using

1. Overview



1	Ear hook
2	Multi-function button (MFB)
3	LED indicator
4	Microphone
5	Volume up button
6	Volume down button
7	Dock
8	Big rubber cap

2. Charging the headset

First using—You must charge the battery fully before first using.

Low power—When you hear three warning tones of “Dong” every 31 seconds and see the red LED to flash twice, it means the battery is low power and need to be charged.

The charging steps are as follows:

Step1: As the picture shows, place the headset onto the dock;

Step2: Connect charger or charging cable to standard power outlet;

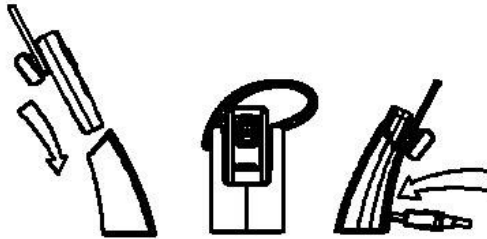
Step3: Connect the end of charger or charging cable to charging port of dock.

When the red LED is on, it is charging.

When the red LED is off, it has charged fully.

It will take about 1.5 hours to charge the headset fully.

If charging via a USB port, this USB port is used only for charging purposes, no any data is transferred over the USB port.



Warning: 1、 The battery is recycled.

2、 Batteries (battery pack or batteries installed) shall not be exposed to excessive heat such as sunshine, fire or the like.

■ Using the headset

1. Switching on/off the headset

Function	Operation	LED indicator	Indication tone
Switching on the headset	Long press MFB for 3~5 seconds	Blue LED flashes 4 times quickly	A long 'DI' tone
Switching off the headset	Long press MFB for 3~5 seconds	Red LED flashes 4 times quickly	A long 'DI' tone
Enter into pairing mode	Make sure the headset is off, and then press MFB for 6~7 seconds, release till red and blue LEDs flash alternately	Red and blue LEDs flash alternately	Two short 'DU' tones

Remark: The headset will switch off automatically in order to save power, if it can't connect with any devices after 5 minutes.

2. Pairing the headset with Bluetooth mobile phone

You have to pair the Bluetooth headset with Bluetooth mobile phone before first using the headset. Please make sure your mobile phone has bluetooth function that is available. Specific pairing procedures may vary with different mobile phones. Please refer to your mobile phone User Manual for further information. The steps are as follows:

- 1)、Keep the headset and Bluetooth mobile phone within 1 meter when pairing.
- 2)、Make the headset enter into pairing mode (please refer to “How to enter into pairing mode”).
- 3)、Switch on Bluetooth function of mobile phone and search the Bluetooth devices. After searched, select “BH501C” in the Bluetooth device list.
- 4)、According to indication, enter password or PIN No:”0000”, and press the key of ” Yes” or “confirm”.
- 5)、After successful pairing, select “BH501C”.in the Bluetooth device list. and press “connect”.
- 6)、After successful connecting, the blue LED of the headset flashes twice every 4 seconds.

Remark:

- ◆ The pairing mode will last 2 minutes. The headset will switch to standby mode automatically if it can't pair with any devices after 2 minutes. If you want to continue to pair the headset with Bluetooth devices, please switch off the headset firstly, and then re-pair according to steps 1~6 mentioned above.
- ◆ After pairing is successful, the headset and mobile phone will remember each other, no need to re-pair when use next time. The headset can remember 8 paired devices, when paired devices exceed 8, the first one will be replaced.

3. Connecting the headset with Bluetooth device

1) Automatic connecting

The headset will connect with last connected device automatically when switching on it every time.

2) Connecting manually

When the headset is in standby time, double click MFB button, the headset will send a connecting request to last connected device.

Notes:

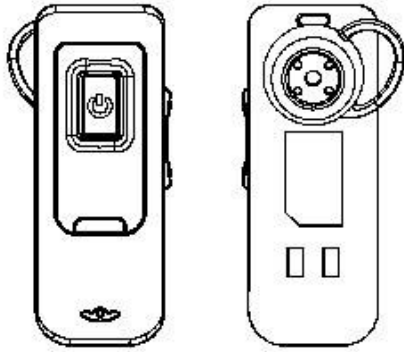
- ✧ The headset only connects with last connected device that supports HFP.
- ✧ Before connecting with Bluetooth device, please switch on Bluetooth function of your Bluetooth device.
- ✧ For some Bluetooth devices, take some Nokia mobile phones for example

you have to set up to allow automatic connecting.

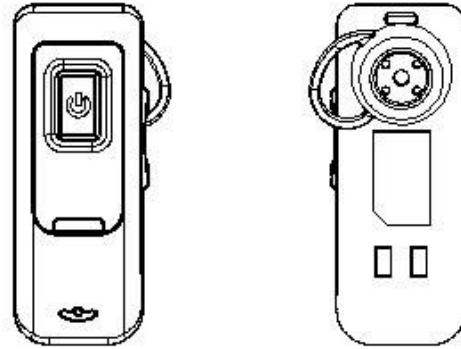
4. Wearing the headset

4.1、 With the big rubber cap

- ◆ You can pull the rubber cap and dress it on the loudhailer of the headset. And then this headset can be wore on right or left ear, as the pictures show:



Suitable for right ear

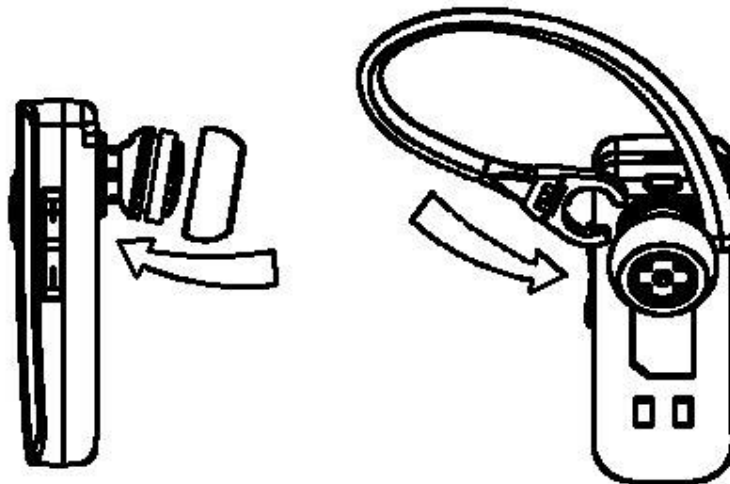


Suitable for left ear

- ◆ Wear the headset and turn the headset to make the Microphone towards to your mouth, then it will be firmly wore on your ear to make your conversation smoothly.

4.2、 With the ear hook

- ◆ Take the big rubber cap away and put on the small rubber cap, and install the ear hook as the below picture shows. Try to wheel the hook and then you can wear the headset on your right or left ear.



5. Making call with the headset

Function	The status of the headset	Operation	Indication tone
Redial last number	Standby mode	Double press MFB	A long “DU” tone
Volume up	Conversation mode	Short press + button	Nothing
Volume down	Conversation mode	Short press - button	Nothing
Answer calling	Ringing	Short press MFB	A short “DU” tone
Reject calling	Ringing	Long press MFB for about 2 seconds, and then release t till hearing indication tone	A long “DI” tone
End calling	Conversation mode	Short press MFB	A short “DU” tone
Voice transfer	Conversation mode	Long press MFB for about 2 seconds, and then release till hearing indication tone	A long “DI” tone
Microphone mute	Conversation mode	Double press MFB	Sound “DONG,DONG” tone every 4 seconds
Cancel mute	Conversation mode (mute)	Double press MFB	

Remark:

- ◆ Not all the mobile phones support all the functions listed above. Please refer to your mobile phone User Manual.
- ◆ Some functions and indication tones may vary with different mobile phones.
- ◆ When the volume is adjusted to max. or min, you will hear a indication tone of “Dong-Dong”.
- ◆ For some mobile phones, when you press the answer button on the phone, the conversation will be sent to the mobile phone. At this time, you may switch the call to headset through operating on your mobile phone. Please refer to your mobile phone User Manual for further information.

6. Playing music

You can enjoy music wirelessly after the headset connecting with A2DP mobile phone or other Bluetooth device.

Function	The status of the headset	Operation
Volume up	Playing music	Short press + button
Volume down	Playing music	Short press - button
Pausing	Playing music	Short press MFB

Playing	Pausing music	Short press MFB
Last song	Playing music	Long press - button for about 2 seconds
Next song	Playing music	Long press +button for about 2 seconds

Remark:

- ◆ For some mobile phones, when playing music, the music will default transmit to the speaker of mobile phone, you have to choose “transmit the sound through Bluetooth” in the “setting” of playing music interface, and then choose “BH501C” in the device list, the music will be transmitted to the headset. Please refer to your mobile phone User Manual for further information.
- ◆ When the volume of the headset is adjusted to max. or min, you will hear a tone of “Dong-Dong”
- ◆ Remote control the function of last song/next song/pause/revert, it needs your mobile phone or Bluetooth device supports AVRCP. Please refer to your mobile phone or Bluetooth device User Manual for further information.
- ◆ Because you have to long press the button to turn to last song, for some mobile phones, long press last song button may be only play current song.

7. LED indicator

1、When the headset is charging

LED indicator	The status of the headset
The red LED is on	Charging
The red LED is off	Finish charging

2、When the headset is not charging

LED indicator	The status of the headset
Red and blue LEDs flashes alternately	Pairing mode
Blue LED flashes once every 2 seconds	Standby mode (not connect with Bluetooth device)
Blue LED flashes twice every 4 seconds	Standby mode (connected with Bluetooth device)
Blue LED flashes continuously and quickly	Coming call /calling
Blue LED is circularly gradual on and off	Conversation mode
Red LED flashes twice every 30 seconds	Low power

8. Indication tone

Indication tone	The status of the headset
Sound two “DU” tones every 4 seconds	Microphone mute
Sound three “DONG” tones every 30 seconds	Low power

■ Care and maintenance

Please read the following suggestions carefully, that will help you to fulfill any warranty obligations and enjoy this product for many years.

- ◆ Keep dry and don't put it in the damp place, in case of affecting the interior circuit of product.
- ◆ Don't put the product under the sunlight or place hot areas. High temperature will shorten the life of electronic device, destroy the battery, or distort certain plastic.
- ◆ Don't expose the product in the cold areas. It may damage the internal circuit board.
- ◆ Don't try to take apart the product. It may damage the product if you are not professional.
- ◆ Don't fall off on the floor or knock the hard substance. It may damage interior circuit.
- ◆ Don't use intensify chemical or detergent to clean the product.
- ◆ Don't scrap the surface with sharp things.

If the product can't work normally, please send it to the regularly asserted store. The staff will help you to solve the problem warmly.

■ FAQs

- 1、 Q: Why does red LED flash twice every 30 seconds?
A: Battery is low power and need to be recharged.
- 2、 Q: Why is not the red LED on when charging?
A: a) Please make sure the charging device connect with the headset well;
b) While didn't use the headset for a long time, the battery may dry up. At this time, you have to charge the battery for about 30 minutes, and then the red LED will be on.
- 3、 Q: How far is the effective rang between the headset and mobile phone?
A: According to the Bluetooth standard, the max available range of Class 2 headset is 10 meters. But it will vary under different environment.

- 4、 Q: Why my mobile phone can't find the headset?
 A: The mobile phone will not find the headset if the headset and mobile phone are not under the pairing mode. Make sure the headset is under the pairing mode and in the effective working range, and then the headset can be paired and connected.
- 5、 Q: Why can't hear the voice?
 A: a) Make sure the headset is on;
 b) Make sure the volume is not too low or muted;
 c) Make sure the headset connects with the mobile phone correctly;
 d) Make sure the distance between the headset and the mobile phone is in the available BT range.
- 6、 Q: Why is the voice not clear in conversation?
 A: a) Make sure the mobile phone is in the strong signal area;
 b) Make sure the headset is in the available range of itself
- 7、 Q: Why can't control the function of pause, revert, last song and next song when playing music?
 A: This function needs your Bluetooth device paired supports AVRCP (Audio/Video Remote Control profile).

■ Specification

Bluetooth version	Bluetooth V2.1
Bluetooth profiles	Headset, Hands free, A2DP, AVRCP
Effective range	10m
Working time	Talk: UP to 5 hours Music: UP to 4.5 hours
Standby time	100hours
Charging input	DC 5V ---500mA
Charging time	About 1.5 hours
Working temperature	-10-45℃
Storage temperature	-20~70℃
Dimension	47*18*10.5 mm
Weight	Headset: 10.5g Ear hook: 0.9g Dock: 17.5g

This device complies with Part 15 of the FCC Rules. Operation is subject to the following two conditions: (1) this device may not cause harmful interference, and (2) this device must accept any interference received, including interference that may cause undesired operation.

Changes or modifications not expressly approved by the party responsible for compliance could void the user's authority to operate the equipment.

Warning: excessive sound pressure from earphones and

headphones can cause hearing loss.

This device complies with Part 15 of the FCC Rules. Operation is subject to the following two conditions: (1) this device may not cause harmful interference, and (2) this device must accept any interference received, including interference that may cause undesired operation. Changes or modifications not expressly approved by the party responsible for compliance could void the user's authority to operate the equipment.