

**BTE004**  
**Bluetooth mono headset**  
**User Manual**

■ <b>Brief introduction</b> .....	<b>2</b>
1. Bluetooth Wireless communication technology.....	2
2. About BTE004.....	2
■ <b>Before using</b> .....	<b>2</b>
1. Overview.....	2
2. Charging the battery of the headset.....	3
■ <b>Basic operation</b> .....	<b>3</b>
1. Switching on/off the headset.....	3
2. Pairing the headset with Bluetooth mobile phone.....	3
3. Wearing the headset.....	4
4. Changing the faceplate.....	5
5. The operation of the headset.....	6
6. LED indicator.....	7
7. Indication tone.....	7
■ <b>Care and maintenance</b> .....	<b>7</b>
■ <b>Specification</b> .....	<b>8</b>

Welcome to use this Bluetooth headset, BTE004. Please read this user manual carefully before using it.

## ■ Brief introduction

### 1. Bluetooth Wireless communication technology

Bluetooth is a standard of close range radio communication technology that was drawn up by Ericsson, IBM, Intel, Nokia and Toshiba. Through Bluetooth technology, we can achieve the highest transmission rate among mobile phone, computer, printer, PDA and other devices. The max transmit range of class 2 is 10 meters while the max radio-communication range of class 1 can reach up to 100 meters.

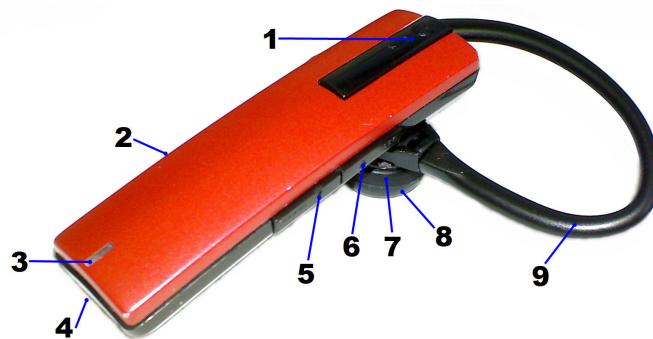
### 2. About BTE004

BTE004 is a Bluetooth headset. It has the following features:

- ◆ Answer call, end call and reject call
- ◆ Redial last call
- ◆ Voice dial (The function needs your mobile phone to support)
- ◆ Adjust volume
- ◆ Voice transfer
- ◆ Microphone mute
- ◆ The function of changing faceplate

## ■ Before using

### 1. Overview



1	Multi-function button (MFB)
2	Charging socket
3	LED indicator light
4	Microphone
5	Volume up
6	Volume down
7	Loudspeaker
8	Ear cap
9	Ear hook

## 2. Charging the battery of the headset

First using—You must charge the battery of the headset fully before first using.

Low power—The red indicator light will flash and you can also hear 3 tones of “DU” every 20 seconds. At this time, you have to charge the battery of the headset.

The charging steps are as follows:

Step1: Connect charger or charging cable to standard power outlet;

Step2: Connect the end of charger or charging cable to charging socket of the headset;

Step3: When charging, red indicator light is on. It takes about 1~1.5 hours to charge the battery fully;

Step4: When charging has completed, the red indicator light will switch off.

**Note: If charging via a USB port, this USB port is used only for charging purposes, no any data is transferred over the USB port.**



- Warning:** 1. The battery is recycled.  
2. Do not dispose of the battery in fire, as it may cause Explosion.

## ■ Basic operation

### 1. Switching on/off the headset

Function	Operation	LED indicator light	Indication tone
Switch on the headset	Long press MFB for 3 ~ 5 seconds, and release it till indicator light is on	Blue indicator light is on for 1 second	A long “DI” and a long “DU” tones
Switch off the headset	Long press MFB for 3 ~ 5 seconds, and release it till indicator light is off	Red indicator light is on for 1 second and then all indicator lights are off	A long “DI” tone
Enter into pairing mode	When the headset is off, long press MFB for 7~8 seconds	Red and blue LEDs flash alternately	Nothing

**Remark:** The headset will switch off automatically if no devices can be connected after 10 minutes in order to save power.

### 2. Pairing the headset with Bluetooth mobile phone

You have to pair the Bluetooth headset with Bluetooth mobile phone before first using the headset. Please make sure your mobile phone has bluetooth function that is available. Specific pairing procedures may vary with different mobile phones. Please refer to your

mobile phone user manual for further information. The steps are as follows:

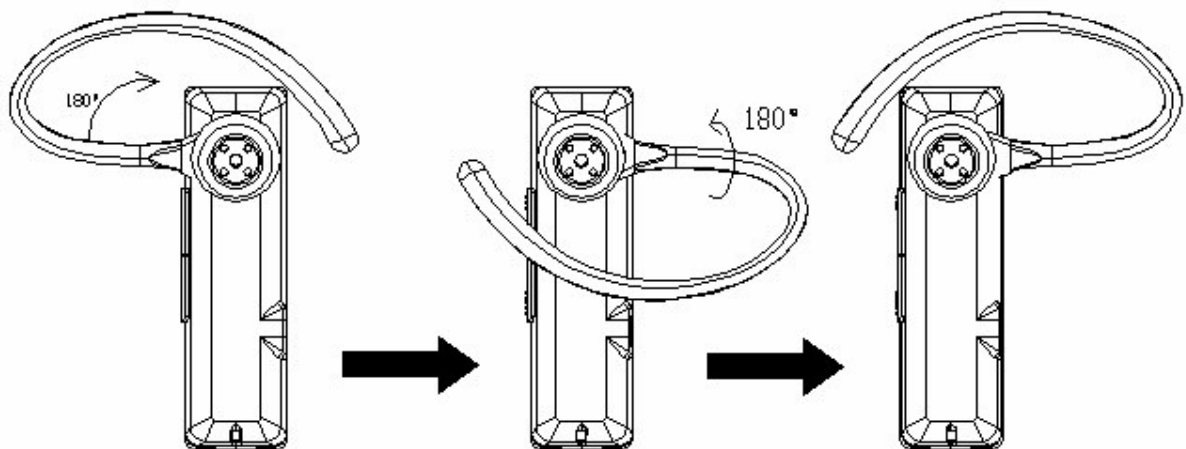
- 1)、 Keep the headset and Bluetooth mobile phone within 1 meter when pairing.
- 2)、 Make sure your headset is off.
- 3)、 Press MFB for about 7~8 seconds, then release it till you see the red and blue indicator lights to flash alternately or hear indication tone for three times (The first tone is “DI”, the second one is “DU” and the third one is “Dong-dong”). The headset entered into pairing mode.
- 4)、 Switch on Bluetooth function of mobile phone and search the Bluetooth device. After searched, select “BTE004” in the Bluetooth device list.
- 5)、 According to indication, enter password or PIN No:”1234”, and press the key of ” Yes” or “confirm”.
- 6)、 After successful pairing, select “BTE004” in the Bluetooth device list, and press “connect”. After successful connecting, the indicator light will flash twice every 4 seconds.

**Remark:**

- ◆ The pairing mode will last 2 minutes. The headset will switch to standby mode automatically if it can't pair with any devices after 2 minutes. If you want to continue to pair the headset with Bluetooth device, please switch off the headset firstly, and then re-pair according to steps 1~6 mentioned above.
- ◆ After pairing is successful, the headset and mobile phone will remember each other, no need to re-pair when use next time.
- ◆ When you switch on the headset every time, it will connect with last connected device automatically. If you want to pair it with other devices, please switch off Bluetooth function of last connected devices firstly, then pair the headset with new device according to steps 1~6 mentioned above.

### 3. Wearing the headset

This headset is suitable for both ears. The ear hook can turn freely. After wearing the headset well, please turn the microphone of the headset towards to the mouth of user, the effect of conversation will be better.

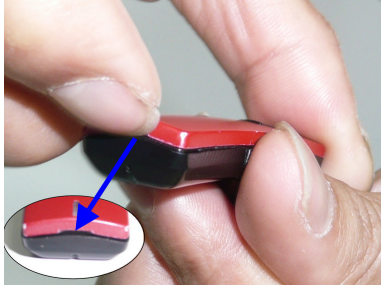


**Suitable for right ear**

**Suitable for left ear**

#### 4. Changing the faceplate

##### 1) . Take down the faceplate



##### 2) . Install new faceplate



## 5. The operation of the headset

Function	The status of the headset	Operation
Cancel calling	Calling	Short press MFB once to cancel calling
Answer call	Ringing	Short press MFB once
Reject call	Ringing	Long press MFB for about 2 seconds, and release it till hearing indication tone
End call	Conversation mode	Short press MFB once
Volume up	Conversation mode	Short press volume +
Volume down	Conversation mode	Short press volume -
Voice transfer	Conversation mode	Long press volume+ button for about 2 seconds, and then release it till hearing indication tone
Microphone mute	Conversation mode	Press simultaneously volume+ button and volume - button for about 2 seconds, and then release them till hearing indication tone. When the microphone is mute, the headset sounds a short "DU" tone every 5 seconds
Cancel mute	Conversation mode (microphone mute)	Press simultaneously volume+ button and volume - button for about 2 seconds, and then release them till hearing indication tone
Voice dial	Standby mode (already connected with Bluetooth device)	Long press VOL + button for about 2 seconds, and then release it till hearing indication tone
Redial last call	Standby mode (already connected with Bluetooth device)	Short press MFB 2 times

**Warning:** Excessive pressure from earphones and headsets can cause hearing loss.

### Remarks:

- ◆ Not all the mobile phones support all the functions listed above. Please refer to your mobile phone user manual for further information.
- ◆ Some functions and indication tones may vary with different mobile phones.
- ◆ For some mobile phones, when you press the answer button on the phone, the conversation will be sent to the mobile phone. At this time, you may switch the call to the headset through the conversation switching function of the headset or operating on your mobile phone. Please refer to your mobile phone user manual for further information.

## 6. LED indicator light

### 1)、When it is charging

LED indicator light	The status of the headset
The red indicator light is on	Charging
The red indicator light is off	Finish charging

### 2) 、When it is not charging

LED indicator light	The status of the headset
The red and blue indicator lights flash alternately	Pairing mode
The blue indicator light flashes 1 time every 1 seconds	Standby mode (not connected with Bluetooth device)
The blue indicator light flashes 2 times every 4 seconds	Standby mode (already connected with Bluetooth device)
The blue indicator flashes 1 time every 1 seconds	Coming call/calling
The blue indicator light flashes quickly	Conversation mode
The red indicator light flashes	Low power

## 7. indication tone

Indication tone	The status of the headset
It sounds a tone of “DU” every 5 seconds	Microphone mute
It sounds three tones of “DU” every 20 seconds	Low power

## ■ Care and maintenance

Please read the following suggestions carefully, that will help you to fulfill any warranty obligations and enjoy this product for many years.

- ◆ Keep dry and don't put it in the dump place, so as not to affecting the interior circuit of product.
- ◆ Don't put the product under the sunlight or place in hot areas. High temperature will shorten the life of electronic device, destroy the battery, or distort certain plastic.
- ◆ Don't expose the product in the cold areas. It may damage the internal circuit board.
- ◆ Don't try to take apart the product. It may damage the product if you are not professional.
- ◆ Don't fall off on the floor or knock the hard substance. It may damage interior circuit.
- ◆ Don't use intensify chemical or detergent to clean the product.
- ◆ Don't scrap the surface with sharp things.

If the product can't work normally, please send it to the regularly asserted store. The staff will help you to solve the problem warmly.

■ **Specification**

<b>Bluetooth version</b>	Bluetooth V2.0
<b>Bluetooth profiles</b>	Headset, Handsfree
<b>Frequency response</b>	2.4GHz~2.4835GHz
<b>Effective range</b>	10m
<b>Working time</b>	6-7hours
<b>Standby time</b>	100 hours
<b>Charging input</b>	DC 5V ---90mA
<b>Charging time</b>	About 1.5 hours
<b>Working temperature</b>	-20 ~ 55℃
<b>Storage temperature</b>	-20~70℃
<b>Dimension</b>	57*16*9mm
<b>Weight</b>	Headset: 9g Ear hook: 1g

This device complies with Part 15 of the FCC Rules. Operation is subject to the following two conditions: (1) this device may not cause harmful interference, and (2) this device must accept any interference received, including interference that may cause undesired operation. Changes or modifications not expressly approved by the party responsible for compliance could void the user's authority to operate the equipment.