



**BTH026N**  
**Bluetooth stereo headset**  
**User's manual**



# Contents

■ <b>Brief introduction</b> .....	1
1. <b>Bluetooth wireless communication technology</b> .....	1
2. <b>About BTH026N</b> .....	1
■ <b>Before use</b> .....	2
1. <b>Overview</b> .....	2
2. <b>Charging for headset</b> .....	3
■ <b>Getting started</b> .....	3
1. <b>Turning on/off the headset</b> .....	3
2. <b>Pairing headset with Bluetooth devices</b> .....	4
1) <b>How to enter pairing mode</b> .....	4
2) <b>Pairing headset with Bluetooth cell phone via Bluetooth</b> .....	4
3) <b>Pairing headset with Bluetooth cell phone via NFC</b> .....	5
4) <b>Pairing headset with Bluetooth transmitter via Bluetooth</b> .....	7
3. <b>Reconnecting the headsets with devices</b> .....	7
4. <b>Making a call with the headset</b> .....	8
5. <b>Playing music</b> .....	9
6. <b>LED indicator</b> .....	10
7. <b>Indication tone</b> .....	11
8. <b>Factory Reset</b> .....	11
■ <b>Care and maintenance</b> .....	11
■ <b>FAQs</b> .....	12
■ <b>Specification</b> .....	13

Welcome to use this Bluetooth stereo headset, BTH026N. Please read this user's manual carefully before use.

## ■ **Brief introduction**

### **1. Bluetooth wireless communication technology**

Bluetooth is a standard of close range wireless communication technology that was drawn up by Ericsson, IBM, Intel, Nokia and Toshiba. With Bluetooth technology, we can achieve the highest transmission rate among cell phones, computers, printers, PDAs and other devices. The max transmission range of class II is 10 meters while the max transmission ranges of class I can reach up to 100 meters.

### **2. About BTH026N**

BTH026N is a Bluetooth stereo headset. It supports the following Bluetooth profiles:

HSP —— Headset Profile

HFP —— Hands-free Profile

A2DP—— Advanced Audio Distribution Profile

AVRCP——Audio/Video Remote Control Profile

You can enjoy music wirelessly by using BTH026N. It has the following features:

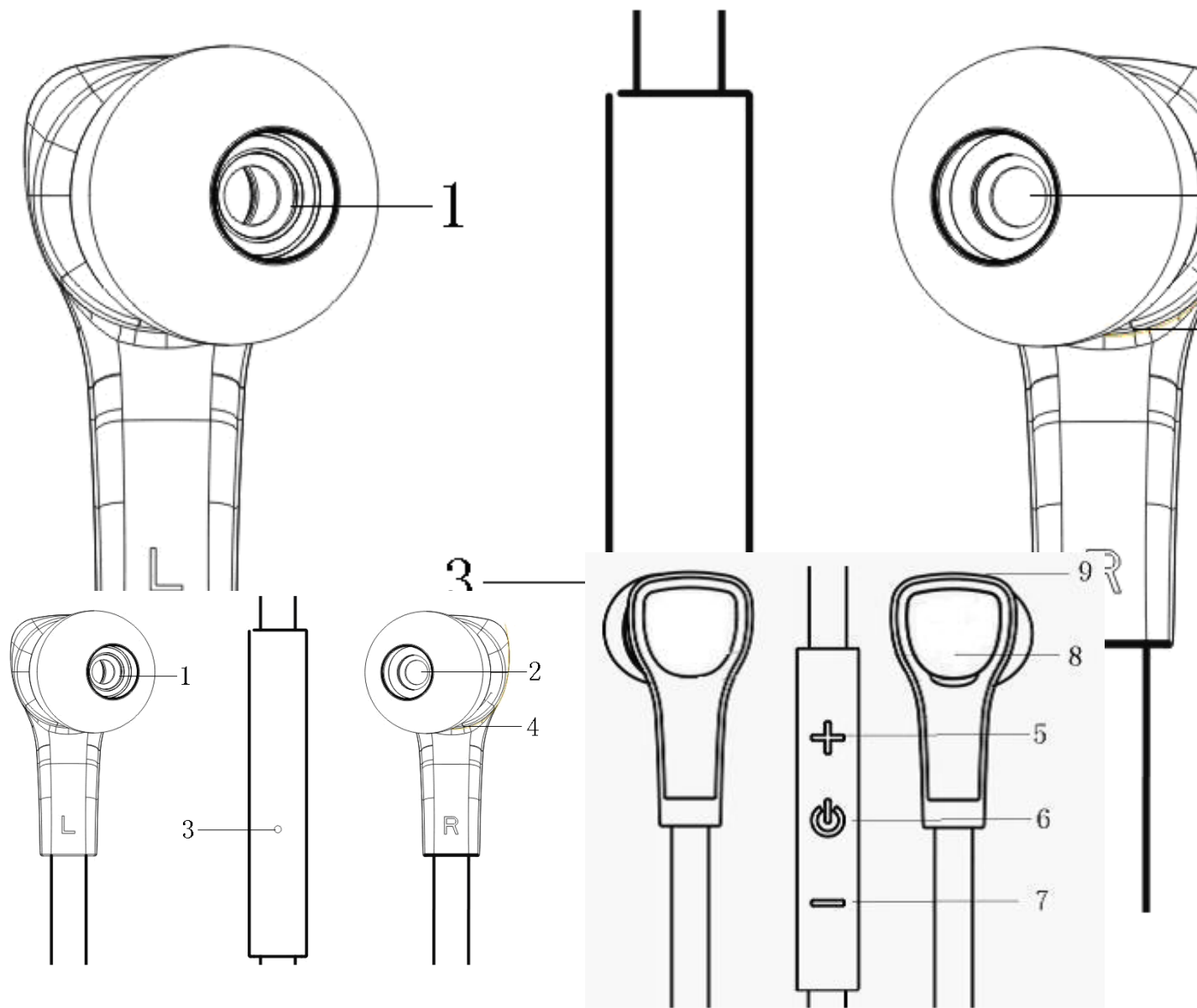
1) Supporting NFC(Near Field Communication) function, it can quickly connect with Bluetooth cell phone supporting NFC function.

2) Pairing with a Bluetooth cell phone or PDA supporting HFP profile.

- ◆ Answer a call, end a call and reject a call
- ◆ Redial last number
- ◆ Voice dial
- ◆ Adjust the volume
- ◆ Call transfer between the headset and your Bluetooth cell phone
- ◆ Microphone mute

3) Pairing with a Bluetooth cell phone or Bluetooth transmitter supporting A2DP profile.

- ◆ Enjoy music wirelessly
- ◆ Adjust the volume
- ◆ Remote control pause/play
- ◆ Remote control previous/next track



<b>1</b>	Left speaker	<b>6</b>	Multi-functions button (MFB )
<b>2</b>	Right speaker	<b>7</b>	Volume down/next song
<b>3</b>	Built-in microphone	<b>8</b>	Charging jack
<b>4</b>	LED indicator	<b>9</b>	NFC chip
<b>5</b>	Volume up/previous song		

## 2. Charging for headset

The headset comes with a built-in rechargeable battery, prior to using it, it is recommended to charge the battery fully for the first time.

When the headset is low power, the headset emits “Dong” tones every 5 minutes and the red LED flashes instead of blue LED. Please recharge the battery of the headset.

The way of charging as following:

### Using USB cable

1. Plug the USB charging cable to charging jack of headset
2. Plug another side of cable to the USB port of PC

Red light on: Charging

Red light off: Finish charging

3. It will takes about 2 hours to finish charging



### Remarks:

- 1) The battery is recyclable.
- 2) Batteries (battery pack or batteries installed) shall not be exposed to excessive heat place, such as sunshine, fire or the like.

## ■ Getting started

### 1. Turning on/off the headset

Functions	Operation	LED indicator
Turning on	Press and hold <b>MFB</b> button about 4 seconds until blue LED flashes	Blue LED on one second
Turning off	Press and hold <b>MFB</b> button about 4 seconds until red LED flashes	Red LED on one second

**Remark:** In order to save power, the headset will turn off automatically if no devices can be connected after 5 minutes.

## 2. Pairing the headset with Bluetooth devices

### 1) How to enter pairing mode

Functions	Operation	LED indicator
Entering pairing mode	Ensure the headset is off, otherwise please turn it off first. And then press and hold <b>MFB</b> button about 8 seconds until red and blue LED flash alternately	Red and blue LED flash alternately

**Remark:** Pairing mode will last 2 minutes. If no devices can be connected after 2 minutes, it will return to standby mode automatically.

### 2) Pairing headset with Bluetooth cell phone via Bluetooth

Prior to using the headset for the first time, you have to pair it with a Bluetooth-enabled cell phone. The pairing procedures are subject to different models of cell phones. Please refer to your cell phone user's manual for further information. The general pairing procedures are as follows:

- 1) Keep your headset and phone within 1 meter when pairing;
- 2) Make the headset enter pairing mode (please refer to "How to enter pairing mode");
- 3) Activate your cell phone's Bluetooth function and set your cell phone to search for Bluetooth devices within range, and select "BTH026N" from the list of devices shown;
- 4) According to the indication, enter password or PIN No: "0000". ( If the mobile phone supports Bluetooth V2.1, password is not required.). If prompted by your cell phone to connect, select "Yes" (this will vary among cell phone models);
- 5) After successful paired, choose and connect "BTH026N" from the list of devices shown on cell phone;
- 6) After successful connecting, blue LED of headset flashes twice every 4 seconds

#### Remarks:

- ◆ If pairing is failed, please turn off the headset first and then re-pair according to steps 1~6 mentioned above.

- ◆ After pairing is successful, the headset and the cell phone will remember each other, they will no need to re-pair next time. The headset can remember 8 paired devices, when the number of paired devices exceeds 8, the first one will be replaced.
- ◆ Every time the headset is turned on, it will connect to last connected device automatically. If you want to pair it with other devices, please turn off the Bluetooth function of last connected devices first and pair the headset with the new device according to steps 1~6 mentioned above.

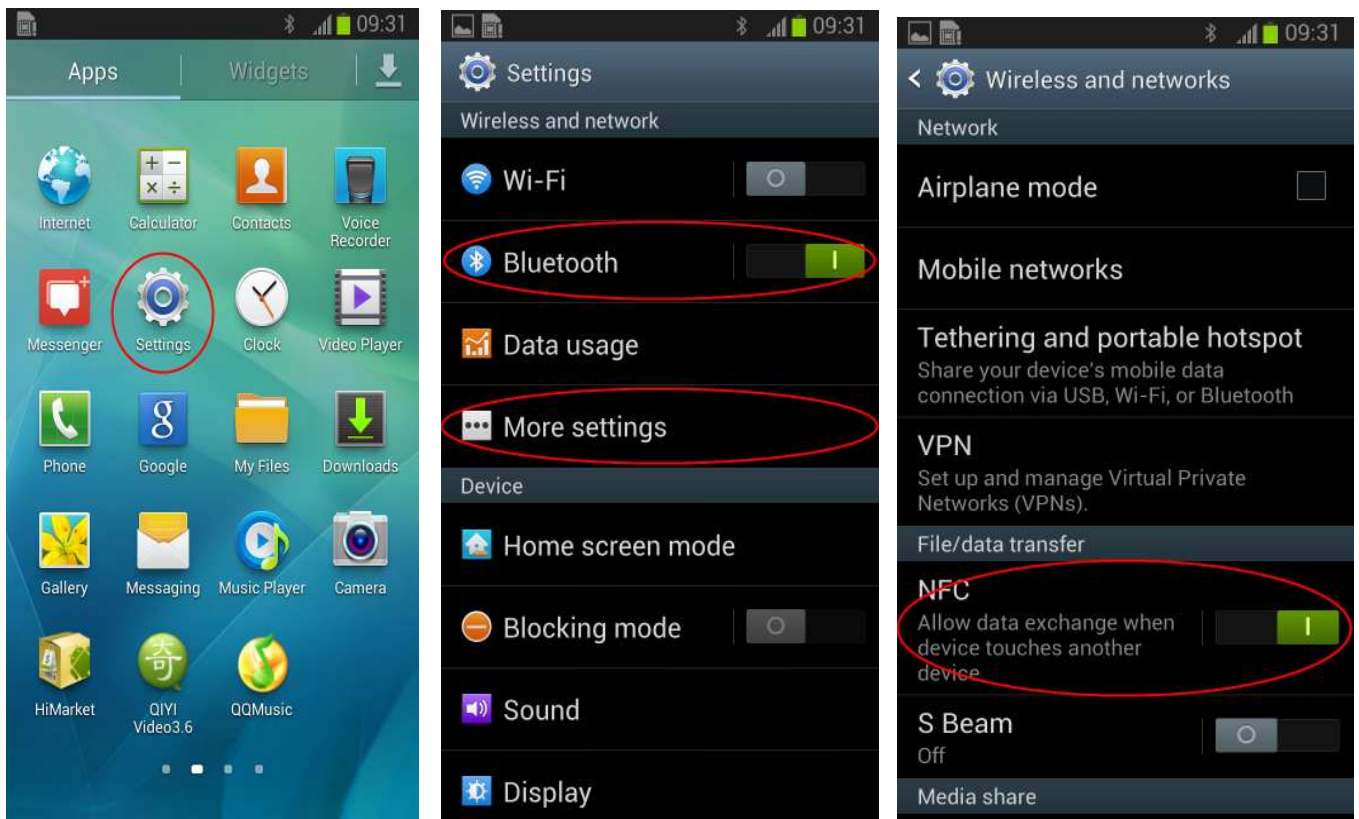
### 3) Pairing headset with a Bluetooth cell phone via NFC

BTH026N support NFC function, it can quickly connect with Bluetooth cell phone via NFC, hereby take Samsung S3(Android 4.0) (Not included in accessory) for example.

The general pairing procedures are as follows:

- 1) Please activate the Bluetooth and NFC function of cell phone; Please refer to following pictures:

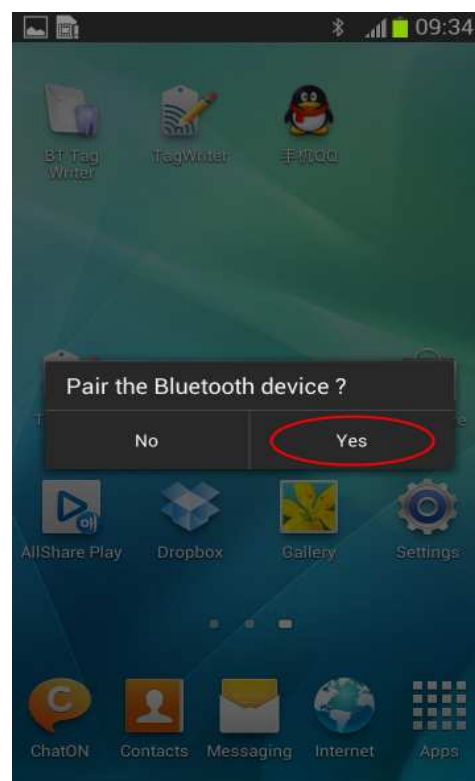
Touch **Setting** button into setting interface, activate Bluetooth function, then into More settings interface to activate NFC function.



## 2) Pairing and connecting with cell phone

Please refer to following pictures:

Make the NFC chip of cell phone and headset within 1 centimeter, the headset will turn on and enter pairing mode automatically, there will be a request and prompt tone on cell phone “Pair the Bluetooth device”, according to prompt tone, click “Yes” to confirm. Now, the headset has already paired and connected with cell phone.



### Remarks:

- The screen of cellphone must be in unlocked mode during pairing via NFC
- The NFC chip of cell phone and headset must be in 1 centimeter during pairing
- Under the headset's status of turn off, standby mode(not connect with device), pairing mode, you can pair it with cell phone via NFC



#### 4) Pairing headset with Bluetooth transmitter via Bluetooth

You can connect the headset to a Bluetooth transmitter to enjoy music wirelessly. Hereby take BTT005 (Bluetooth transmitter, not included in accessories) for example. The pairing steps are as follows:

- 1) Keep your headset and transmitter within 1 meter when pairing;
- 2) Make the headset enter pairing mode (Please refer to “How to enter pairing mode);
- 3) Turn on the Bluetooth transmitter and make it enter pairing mode. It will search for Bluetooth devices automatically and send a pairing request;
- 4) When the headset requests to enter a PIN No., the transmitter will response “0000” automatically;
- 5) After successful pairing and connecting, blue LED of the headset flashes twice every 4 seconds.



#### Remarks:

- ◆ The pairing password of the headset is “0000”. So, the headset can only pair with a Bluetooth transmitter whose pairing password is “0000”.
- ◆ If pairing still fails after several tries, please refer to the Bluetooth transmitter’s user’s manual for further information.

#### 3. Reconnecting the headset with devices

##### 1) Automatic connecting

Every time the headset is turned on, it will connect to last connected device automatically.

##### 2) Manual connecting

When the headset is in standby mode and doesn’t connect to a device, short press **MFB** button once, it will connect to last connected device.

#### Remarks:

- ◆ Before connecting to a Bluetooth device, please activate the Bluetooth function of Bluetooth device.
- ◆ On some Bluetooth devices, take some Nokia cell phones for example, you have to allow automatic connecting in the cell phone’s settings. Please refer to your cell phone’s manual for further information.

## 4. Making a call with the headset

### 1) Basic operation

Functions	Status of headset	Operation
Cancel a call	Calling	Short press MFB once
Answer a call	Incoming call ringing	Short press MFB once
Reject a call	Incoming call ringing	Long press MFB about 2 seconds and release it until listen a tone
End a call	During a call	Short press MFB once
Volume up	During a call	Short press + button
Volume down	During a call	Short press — button
Transfer conversation to mobile phone	During a call	Long press MFB about 2 seconds
Transfer conversation to headset	During a call	Long press MFB about 2 seconds
Microphone mute	During a call	Long press volume up “+” button about 2 seconds
Cancel mute	During a call (microphone mute)	Long press volume up “+” button about 2 seconds
Voice dial	Standby mode (connected device)	Short press MFB and volume up “+” button once simultaneously
Redial the last number	Standby mode (connected device)	Double click MFB button

**Warning: Excessive pressure from earphones and headphones can cause hearing loss.**

#### Note:

- ◆ Not all the mobile phones support all the functions listed above. Please refer to your mobile phone user’s manual.

- ◆ Different function and prompt tone according to different mobile phone.
- ◆ When the volume is adjusted to max or min, you will hear one prompt tone.
- ◆ When pressing the answer button on some mobile phones, the call will be transferred to the mobile phone. You can switch the call to the headset by using the conversation switch button or through operating on the mobile phone. Please refer to your mobile phone user manual for further information.

## 2) Three-ways call operation

Functions	Status of headsets	Operation
Answer new call and end current call	There are second incoming call	Short press MFB once
Answer new call and retain current call	There are second incoming call	Double click MFB button
Switch calls	Keep conversation	Double click MFB button
End current call and switch retain call	Keep conversation	Short press MFB once

## 5. Playing music

When the headset connects to a mobile phone or Bluetooth transmitter which supports A2DP, you can enjoy music wirelessly through the headset.

Functions	Status of the headset	Operation
Volume up	Playing music	Short press “+”button
Volume down	Playing music	Short press “-”button
Last song	Playing music	Long press “+”button
Next song	Playing music	Long press “-”button
Pause	Playing music	Short press MFB once
play	Pausing	Short press MFB once

## Notes:

- ◆ When playing music on some mobile phones, the music will be transmitted to the mobile phone's speaker instead of the headset. You have to select "transmit the sound via Bluetooth" in the settings menu and then choose "BTH026N" as speaker device. The music will be transmitted to the headset. Please refer to your mobile phone's user's manual for further information.
- ◆ When the volume is adjusted to max or min., you will hear one prompt tone.
- ◆ If you want to remote control last/next song, pause/play, it needs your Bluetooth mobile phone or Bluetooth transmitter paired with the headset to support AVRCP profile, please refer to the user's manual of your mobile phone or Bluetooth transmitter for further information.

## 6. LED indicator

### 1) Charging

LED indicator	Status of headset
Red LED on	Charging
Red LED off	Finish charging

### 2) Pairing with Bluetooth device

LED indicator	Status of headset
Red and blue LED flashes alternately	Pairing mode
Blue LED flashes once every 2 seconds	Not connected to device/during a call
Blue LED flashes twice every 4 seconds	Connected to device
Blue LED flashes continuously	Calling/incoming call
Red LED flashes instead of blue LED	Low battery

## 7. Indication tone

Indication tone	Status of the headset
Two prompt tone every 10 seconds during a call	Microphone mute
Five “dong” warning tone every 5 minutes	Low battery

## 8. Factory Reset

In the status of charging, long press volume up “+” button about 4 seconds and release it until the red and blue LED flashes simultaneously, you will hear 4 “dong” tone.

### Remarks:

After factory reset, the paired list of headset will be deleted. After turn it on again, the headset will enter pairing mode automatically, and you need to re-pair and connect with Bluetooth devices.

## ■ Care and maintenance

Read the following recommendations carefully before using BTH026N. Following these you will be able to enjoy this product for many years.

- ◆ Keep it dry and don't put it in the damp place to avoid the product's internal circuit being affected.
- ◆ Keep the product away from direct sunlight or hot places. High temperatures will shorten the life of electronic devices, destroy the battery or distort certain plastic parts.
- ◆ Don't expose the product to cold areas. It may damage the internal circuit board.
- ◆ Don't try to disassemble the product as it may get damaged if you are not professional.
- ◆ Don't let it fall down onto the floor or other hard surfaces. The internal circuit might get damaged.
- ◆ Don't use intensive chemical products or detergent to clean the product.
- ◆ Don't scratch the surface with sharp things.
- ◆ Don't use this product during strenuous exercise. It may get damaged by sweat.

In case the product doesn't function properly, send it to the store you bought it. The staff will help you to solve the problem

## ■ FAQs

### 1. What does it mean when red LED flashes instead of blue LED?

Battery is low power, need to be recharged.

### 2. Why is the red LED off when charging?

- a) Please make sure the charging device connect with headset Well;
- b) You didn't use the headset for a long time, the battery may dry up. At this time, you have to charge the battery for 30 minutes, and then the red LED will be ON.

### 3. How far is the effective rang between the headset and mobile phone?

According to the Bluetooth standard, the max available range of Class II headset is 10 meters. It varies under different environment.

### 4. Why my mobile phone can not search and find the headset?

The mobile phone will not find the headset if headset and mobile phone are not under the pairing mode. Make sure the headset is under the pairing mode and in the effective working range, and then the headset can be paired and connected.

### 5. Why can't I hear the sound on the headset?

- a) Make sure the headset has been switched on;
- b) Make sure the volume is not too low or muted;
- c) Make sure the headset connects with the mobile phone correctly;
- d) Make sure the distance between the headset and the cell phone is in the available Bluetooth range.

### 6. Why can't I hear the sound clearly on the headset?

- a) Make sure the mobile phone is in the strong signal area;
- b) Make sure the headset is in the available range of this product.

### 7. Why the pause/play, last/next song not function when playing music?

Make sure your Bluetooth device supports AVRCP (Audio/Video Remote Control profile)

## ■ Specifications

<b>Bluetooth version</b>	Bluetooth V4.0
<b>Bluetooth profiles</b>	Headset, Hands free, A2DP, AVRCP
<b>Operating distance</b>	10meters
<b>Headset music time</b>	About 4.5 hours
<b>Headset talk time</b>	About 5 hours
<b>Headset charging time</b>	About 2 hours
<b>Dimension</b>	Headset: 37x16.3x27.7 mm Cable: about 500mm
<b>Weight</b>	About 12.6 g

### Notes:

Warning: Changes or modifications to this unit not expressly approved by the party responsible for compliance could void the user's authority to operate the equipment.

NOTE: This equipment has been tested and found to comply with the limits for a Class B digital device, pursuant to Part 15 of the FCC Rules. These limits are designed to provide reasonable protection against harmful interference in a residential installation. This equipment generates, uses and can radiate radio frequency energy and, if not installed and used in accordance with the instructions, may cause harmful interference to radio communications. However, there is no guarantee that interference will not occur in a particular installation. If this equipment does cause harmful interference to radio or television reception, which can be determined by turning the equipment off and on, the user is encouraged to try to correct the interference by one or more of the following measures:

Reorient or relocate the receiving antenna.

Increase the separation between the equipment and receiver.

Connect the equipment into an outlet on a circuit different from that to which the receiver is connected.

Consult the dealer or an experienced radio/TV technician for help.

This device complies with Part 15 of the FCC Rules. Operation is subject to the following two conditions : (1) this device may not cause harmful interference, and (2) this device must accept any interference received including interference that may cause undesired operation.



lithium battery:

CAUTION

RISK OF EXPLOSION IF BATTERY IS REPLACED

BY AN INCORRECT TYPE

DISPOSE OF USED BATTERIES ACCORDING TO THE

INSTRUCTIONS

TO THE INSTRUCTIONS

Headset:

To prevent possible hearing damage,do not listen at high volume levels for long periods

