

**BTS028**  
**Bluetooth stereo speaker**  
**User's manual**



## Contents

■ <b>Brief introduction</b> .....	1
1. Bluetooth wireless communication technology.....	1
2. About BTS028.....	1
■ <b>Before use</b> .....	2
1. Overview.....	2
2. Charging for speaker.....	3
■ <b>Getting started</b> .....	3
1. Turning on/off the speaker.....	3
2. Pairing speaker with Bluetooth devices.....	3
1) How to enter pairing mode.....	3
2) Pairing speaker with Bluetooth cell phone.....	4
3) Pairing speaker with Bluetooth transmitter.....	5
3. Reconnecting the speaker with devices.....	5
4. Making a call with the speaker.....	6
5. Playing music.....	8
6. LED indicator.....	8
7. Indication tone.....	9
8. Factory Reset.....	9
■ <b>Care and maintenance</b> .....	9
■ <b>FAQs</b> .....	10
■ <b>Specification</b> .....	11

Welcome to use this Bluetooth stereo speaker, BTS028. Please read this user's manual carefully before use.

## ■ Brief introduction

### 1. Bluetooth wireless communication technology

Bluetooth is a standard of close range wireless communication technology that was drawn up by Ericsson, IBM, Intel, Nokia and Toshiba. With Bluetooth technology, we can achieve the highest transmission rate among cell phones, computers, printers, PDAs and other devices. The max transmission range of class II is 10 meters while the max transmission ranges of class I can reach up to 100 meters.

### 2. About BTS028

BTS028 is a Bluetooth stereo speaker. It supports the following Bluetooth profiles:

HFP—— Hands-free Profile

A2DP—— Advanced Audio Distribution Profile

AVRCP—— Audio/Video Remote Control Profile

You can enjoy music wirelessly by using BTS028. It has the following features:

1) Pairing with a Bluetooth cell phone or PDA supporting HFP profile.

- ◆ Answer a call, end a call and reject a call
- ◆ Redial last number
- ◆ Voice dial
- ◆ Adjust the volume
- ◆ Call transfer between the speaker and your Bluetooth cell phone
- ◆ Microphone mute

2) Pairing with a Bluetooth cell phone or Bluetooth transmitter supporting A2DP profile.

- ◆ Enjoy music wirelessly
- ◆ Adjust the volume
- ◆ Remote control pause/play
- ◆ Remote control previous/next track
- ◆ Remote control fast forward/rewind

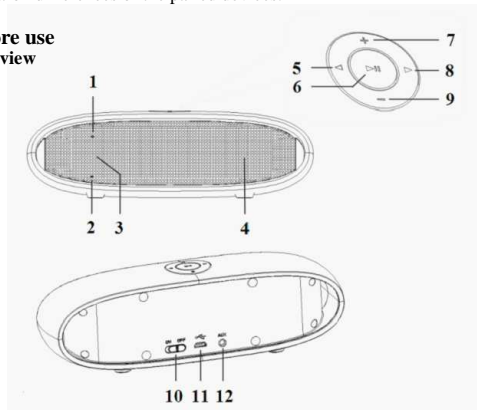
3) Easy to switch between the call and music, you will not miss the incoming call during listening to music.

4) Every time the speaker is turned on, it will connect to last connected device automatically.

**Note:** In order to complete above function, the Bluetooth profiles of paired device must be same as the speaker. And even though the paired device and the speaker support the same Bluetooth profiles, functions may vary due to specification differences of the paired devices.

■ **Before use**

**1. Overview**



1	Built-in microphone	7	Volume up
2	LED indicator	8	▶ button: next song/fast forward
3	Left speaker	9	Volume down
4	Right speaker	10	ON/OFF button: power switch
5	◀ button: previous song/fast rewind	11	Charging jack
6	▶   button: Multi-functions button(MFB)	12	Aux-in jack

## 2. Charging for speaker

The speaker comes with a built-in rechargeable battery, prior to using it, it is recommended to charge the battery fully for the first time.

When the speaker is low power, the speaker emits a string of warning tones every 1 minutes and the red LED flashes. Please recharge the battery of the speaker.

The way of charging as following:

### Using USB cable

1. Plug the USB cable into the USB port of PC
2. Plug another side of cable into the charging jack of speaker

Red light on: Charging

Red light off: Finish charging

3. It will takes about 3 hours to finfish charging



### Remarks:

- 1) The battery is recyclable.
- 2) Batteries (battery pack or batteries installed) shall not be exposed to excessive heat place, such as sunshine, fire or the like.

## ■ Getting started

### 1. Turning on/off the speaker

Functions	Operation	LED indicator	Prompt tone
Turning on	Make the power switch to ON	Blue LED on one second	4 raise tones
Turning off	Make the power switch to OFF	Red LED on one second	4 fall tones

### 2. Pairing the speaker with Bluetooth devices

#### 1) How to enter pairing mode

Functions	Operation	LED indicator
Entering pairing mode	Ensure the speaker is on, otherwise please turn it on first. And then long press ►   button about 4~6 seconds until red and blue LED flash alternately	Red and blue LED flash alternately

**Remark:**

- ◆ Pairing mode will last 2 minutes. If no devices can be connected after 2 minutes, it will return to standby mode automatically.
- ◆ If the speaker has already connected with a device and it is not playing music, long press **▶||** button to enter pairing mode.
- ◆ You will hear 2 raise tones when the speaker enter pairing mode.

**2) Pairing speaker with Bluetooth cell phone**

Prior to using the speaker for the first time, you have to pair it with a Bluetooth-enabled cell phone. The pairing procedures are subject to different models of cell phones. Please refer to your cell phone user's manual for further information. The general pairing procedures are as follows:

- 1) Keep your speaker and phone within 1 meter when pairing;
- 2) Make the speaker enter pairing mode (please refer to "How to enter pairing mode);
- 3) Activate your cell phone's Bluetooth function and set your cell phone to search for Bluetooth devices within range, and select "BTS028" from the list of devices shown;
- 4) According to the indication, enter password or PIN No: "0000". (If the mobile phone supports Bluetooth V2.1, password is not required.). If prompted by your cell phone to connect, select "Yes" (this will vary among cell phone models);
- 5) After successful paired, choose and connect "BTS028" from the list of devices shown on cell phone;
- 6) After successful connecting, blue LED of speaker will flashes twice every 4 seconds

**Remarks:**

- ◆ If pairing is failed, please turn off the speaker first and then re-pair according to steps 1~6 mentioned above.
- ◆ After pairing is successful, the speaker and the cell phone will remember each other, they will no need to re-pair next time. The speaker can remember 8 paired devices, when the number of paired devices exceeds 8, the first one will be replaced.
- ◆ Every time the speaker is turned on, it will connect to last connected device automatically. If you want to pair it with other devices, please turn off the Bluetooth function of last connected devices first and pair the speaker with the new device according to steps 1~6 mentioned above.

### 3) Pairing speaker with Bluetooth transmitter

You can connect the speaker to a Bluetooth transmitter to enjoy music wirelessly. Hereby take BTT005 (Bluetooth transmitter, not included in accessories) for example. The pairing steps are as follows:

- 1) Keep your speaker and transmitter within 1 meter when pairing;
- 2) Make the speaker enter pairing mode (Please refer to "How to enter pairing mode");
- 3) Turn on the Bluetooth transmitter and make it enter pairing mode. It will search for Bluetooth devices automatically and send a pairing request;
- 4) When the speaker requests to enter a PIN No., the transmitter will response "0000" automatically;
- 5) After successful pairing and connecting, blue LED of the speaker flashes twice every 4 seconds.



#### Remarks:

- ◆ The pairing password of the speaker is "0000". So, the speaker can only pair with a Bluetooth transmitter whose pairing password is "0000".
- ◆ If pairing still fails after several tries, please refer to the Bluetooth transmitter's user's manual for further information.

### 3. Reconnecting the speaker with devices

#### 1) Automatic connecting

Every time the speaker is turned on, it will connect to last connected device automatically.

#### 2) Manual connecting

When the speaker is in standby mode and doesn't connect to a device, short press **▶||** button once, it will connect to last connected device.

#### Remarks:

- ◆ Before connecting to a Bluetooth device, please turn on the Bluetooth function of Bluetooth device.
- ◆ On some Bluetooth devices, take some Nokia cell phones for example, you have to allow automatic connecting in the cell phone's settings. Please refer to your cell phone's manual for further information.

#### 4. Making a call with the speaker

##### 1) Basic operation

Functions	Status of speaker	Operation	Prompt tone
Cancel call	Calling	Short press ► button once	One short tone
Answer call	Incoming call ringing	Short press ► button once	Two raise prompt tone
Reject a call	Incoming call ringing	Long press ► about 2 seconds and release it until listen a tone	Two fall prompt tone
End a call	During a call	Short press ► button once	One short tone
Volume up	During a call	Short or long press + button	
Volume down	During a call	Short or long press — button	
Transfer conversation to mobile phone	During a call	Long press ► button about 2 seconds	One short tone
Transfer conversation to speaker	During a call	Long press ► button about 2 seconds	One short tone
Microphone mute	During a call	Double click ► button	Two fall tone
Cancel mute	During a call (microphone mute)	Double click ► button	Two raise tone



Voice dial	Standby mode (connected device)	Long press button about 2 ~3 seconds	One short tone
Redial the last number	Standby mode (connected device)	Double click button	One short tone

## 2) Three-ways call operation

Functions	Status of speakers	Operation
Answer new call and end current call	There are second incoming call	Short press button once
Answer new call and retain current call	There are second incoming call	Double click button
Switch calls	Keep conversation	Double click button
End current call and switch retain call	Keep conversation	Short press button once

**Warning: Excessive pressure from speaker can cause hearing loss.**

**Note:**

- ◆ Not all the mobile phones support all the functions listed above. Please refer to your mobile phone user's manual.
- ◆ Different function and prompt tone according to different mobile phone.
- ◆ When the volume is adjusted to max or min, you will hear one prompt tone.
- ◆ When pressing the answer button on some mobile phones, the call will be transferred to the mobile phone. You can switch the call to the speaker by using the conversation switch button or through operating on the mobile phone. Please refer to your mobile phone user manual for further information.

## 5. Playing music

When the speaker connects to a mobile phone or Bluetooth transmitter which supports A2DP, you can enjoy music wirelessly through the speaker.

Functions	Status of the speaker	Operation
Volume up	Playing music	Short press “+”button
Volume down	Playing music	Short press “-”button
Previous song	Playing music	Short press ◀ button
Next song	Playing music	Short press ▶ button
Fast forward	Playing music	Long press ▶ button
Fast rewind	Playing music	Long press ◀ button
Pause play	Playing music	Short press ▶   button once
	Pausing	Short press ▶   button once
Line -in input	Turn on	Plug 3.5mm audio line into aux-in jack of speaker

### Notes:

- ◆ When playing music on some mobile phones, the music will be transmitted to the mobile phone's speaker instead of the speaker. You have to select “transmit the sound via Bluetooth” in the settings menu and then choose “BTS028” as speaker device. The music will be transmitted to the speaker. Please refer to your mobile phone's user's manual for further information.
- ◆ When the volume is adjusted to max or min., you will hear one prompt tone.
- ◆ If you want to remote control previous/next song, pause/play, it needs your Bluetooth mobile phone or Bluetooth transmitter paired with the speaker to support AVRCP profile, please refer to the user's manual of your mobile phone or Bluetooth transmitter for further information.
- ◆ 3.5mm audio line-in is not available when speaker connect with mobile-phone via Bluetooth.

## 6. LED indicator

### 1) Charging

LED indicator	Status of speaker
Red LED on	Charging
Red LED off	Finish charging

## 2) Pairing with Bluetooth device

LED indicator	Status of speaker
Red and blue LED flashes alternately	Pairing mode
Blue LED flashes once every 2 seconds	Not connect with device
Blue LED flashes twice every 4 seconds	Connect with device
Blue LED flashes continuously	Calling/incoming call
Blue LED flashes once every 1 seconds	During a call
Red LED flashes instead of blue LED	Low battery

## 7. Indication tone

Indication tone	Status of the speaker
Continuous two "du du" tone every 10 seconds	Conversation mode and microphone mute
A string of warning tone every 1 minutes	Low battery

## 8. Factory Reset

In the status of standby mode, not connect with device, long press ►|| and volume up "+" button simultaneously about 5 seconds and release it until the red and blue LED flashes simultaneously, you will hear two "du du" tone.

### Remarks:

After factory reset, the paired list of speaker will be deleted. After turn it on again, the speaker will enter pairing mode automatically, and you need to re-pair and connect with Bluetooth devices.

### ■ Care and maintenance

Read the following recommendations carefully before using BTS028. Following these you will be able to enjoy this product for many years.

- ◆ Keep it dry and don't put it in the dump place to avoid the product's internal circuit being affected.
- ◆ Keep the product away from direct sunlight or hot places. High temperatures will shorten the life of electronic devices, destroy the battery or distort certain plastic parts.

- ◆ Don't expose the product to cold areas. It may damage the internal circuit board.
- ◆ Don't try to disassemble the product as it may get damaged if you are not professional.
- ◆ Don't let it fall down onto the floor or other hard surfaces. The internal circuit might get damaged.
- ◆ Don't use intensive chemical products or detergent to clean the product.
- ◆ Don't scratch the surface with sharp things.

In case the product doesn't function properly, send it to the store you bought it. The staff will help you to solve the problem

### ■ FAQs

#### 1. What does it mean when red LED flashes instead of blue LED?

Battery is low power, need to be recharged.

#### 2. Why is the red LED off when charging?

- a) Please make sure the charging device connect with speaker well;
- b) You didn't use the speaker for a long time, the battery may dry up. At this time, you have to charge the battery for 30 minutes, and then the red LED will be ON.

#### 3. How far is the effective rang between the speaker and mobile phone?

According to the Bluetooth standard, the max available range of Class II speaker is 10 meters. It varies under different environment.

#### 4. Why my mobile phone can not search and find the speaker?

The mobile phone will not find the speaker if speaker and mobile phone are not under the pairing mode. Make sure the speaker is under the pairing mode and in the effective working range, and then the speaker can be paired and connected.

#### 5. Why the speaker can not hear the voice?

- a) Make sure the speaker has been switched on;
- b) Make sure the volume is not too low or muted;
- c) Make sure the speaker connects with the mobile phone correctly;
- d) Make sure the distance between the speaker and the cell phone is in the available Bluetooth range.

**6. Why the speaker can not hear voice clearly in conversation?**

- a) Make sure the mobile phone is in the strong signal area;
- b) Make sure the speaker is in the available range.

**7. Why the speaker can't control pause, play, last song and next song when playing music?**

This function needs your Bluetooth device supports AVRCP (Audio/Video Remote Control profile)

**■ Specifications**

<b>Bluetooth version</b>	Bluetooth V4.0
<b>Bluetooth profiles</b>	Hands free, A2DP, AVRCP
<b>Operating distance</b>	10meters
<b>Output power</b>	2W x 2 RMS
<b>Music time</b>	About 10 hours
<b>Speaker standby time</b>	Approx 800 hours
<b>Charging input</b>	DC5.0V ---500mA
<b>Charging time</b>	About 3 hours
<b>Dimension</b>	200*61*49mm
<b>Weight</b>	Approx 341g
<b>Battery capacity</b>	1250mAH

**Warning:** Changes or modifications to this unit not expressly approved by the party responsible for compliance could void the user's authority to operate the equipment.

**NOTE:** This equipment has been tested and found to comply with the limits for a Class B digital device, pursuant to Part 15 of the FCC Rules. These limits are designed to provide reasonable protection against harmful interference in a residential installation. This equipment generates, uses and can radiate radiofrequency energy and, if not installed and used in accordance with the instructions, may cause harmful interference to radio

communications.

However, there is no guarantee that interference will not occur in a particular installation. If this equipment does cause harmful interference to radio or television reception, which can be determined by turning the equipment off and on, the user is encouraged to try to correct the interference by one or more of the following measures:

- \_ Reorient or relocate the receiving antenna.
- \_ Increase the separation between the equipment and receiver.
- \_ Connect the equipment into an outlet on a circuit different from that to which the receiver is connected.
- \_ Consult the dealer or an experienced radio/TV technician for help.

This device complies with Part 15 of the FCC Rules. Operation is subject to the following two conditions : (1) this device may not cause harmful interference, and (2) this device must accept any interference received, including interference that may cause undesired operation.

**Warning:** Changes or modifications to this unit not expressly approved by the party responsible for compliance could void the user's authority to operate the equipment.