

# The **Virtuoso**

## Bluetooth Stereo Speaker

### HS-BTSP1000 User's Manual

December 2011



 **HIP STREET®**

# HS-BTSP1000

## Bluetooth Stereo Speaker

### User's manual

December 2011

▪ <b>Brief introduction</b> .....	4
1. Bluetooth wireless communication technology.....	4
2. About HS-BTSP1000.....	4
3. Overview.....	4
▪ <b>Basic operation</b> .....	5
1. Switching on/off HS-BTSP1000.....	5
2. Pairing HS-BTSP1000 with Bluetooth devices.....	6
3. Music playback.....	7
▪ <b>Care and maintenance</b> .....	8
▪ <b>FAQs</b> .....	9
▪ <b>Specifications</b> .....	10
▪ <b>Contact Us</b> .....	10

Please read this user's manual carefully before use.

## **CONGRATULATIONS!**

Thank you for your purchase of this Hip Street product and we hope you enjoy using it. Please visit our website at [www.hipstreetonline.com](http://www.hipstreetonline.com).

Please ensure that you fully read and understand the information within this instruction manual prior to using your product. It is advised that you keep this instruction manual in a safe place for future reference. We sincerely hope that this high quality product offers you endless hours of entertainment.

### **Important safety precautions**

- Always follow these basic safety precautions when using your player. This will reduce the risk of product damage and personal injury.
- Do not disassemble, repair or modify the player by yourself. Refer servicing to qualified personnel.
- Do not dispose of the player in extreme heat to avoid explosion.
- Keep the player away from direct sunlight or heat source.
- Do not expose the unit to rain or moisture to avoid any malfunction.
- Do not use the player in a rather dry environment to avoid static.
- Never apply heavy impact on the player like dropping it or placing it on a magnet.
- Clean only with a dry cloth. Make sure the player is turned off before cleaning. Do not use liquid cleanser.
- Be sure to back up your files. We will not be liable for the loss of data due to improper operation, repair or other causes.

## **Precautions in using the earphones**

- Do not use the player with earphones while driving a motor vehicle or riding a bicycle.
- To avoid an accident, do not turn up the volume too high while walking.
- It's not recommended that you use the earphones at a high volume for an extended time as this may cause hearing damage.

## **Product and Battery Disposal**

This product contains a built-in lithium battery and should not be disposed of in normal household waste. For disposal and recycling, please contact your local waste management authorities.

The recycling and processing of electronic waste will make a significant contribution towards helping protect the environment.

## **FCC WARNING:**

This device complies with the limits for a Class B digital device, pursuant to Part 15 of the FCC Rules and the Canadian ICES-003. Operation is subject to the following conditions:

- this device may not cause harmful interference, and
- this device must accept any interference received, including interference that may cause undesired operation.

## ▪ Brief introduction

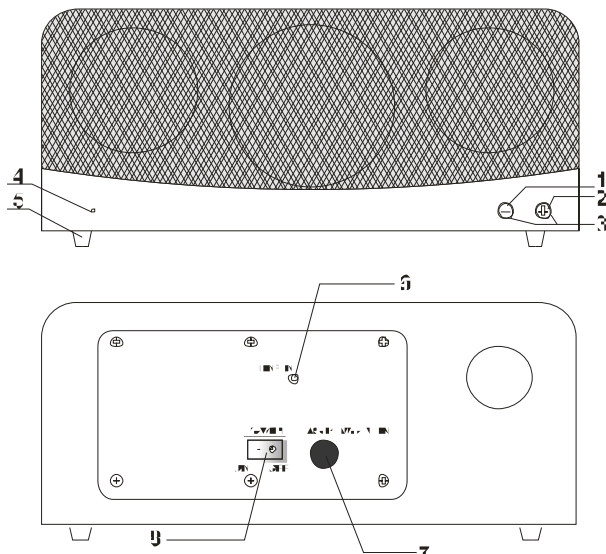
### 1. Bluetooth wireless communication technology

Bluetooth is a standard of close range radio-communication technology that was drawn up by Ericsson, IBM, Intel, Nokia and Toshiba. With Bluetooth technology, we can achieve the highest transmission rate among cell phones, computers, printers, PDAs and other devices. The max transmission range of class II is 10 meters while the max transmission range of class I can reach up to 100 meters.

### 2. About HS-BTSP1000

HS-BTSP1000 is a Bluetooth stereo speaker. It supports A2DP profile, so it can pair with Bluetooth cell phones or Bluetooth music players that support A2DP for music playback. The speaker can also be connected to non-Bluetooth music players using a 3.5mm audio cable. You can press the volume button of HS-BTSP1000 to adjust the volume when playing music.

### 3. Overview



1	VOL -
2	VOL +
3	Bluetooth LED indicator
4	Power LED indicator
5	Soft cushion for supporting the speaker
6	3.5mm line-in jack
7	Power cable
8	Power on/off button

## • Basic operation

### 1. Switching on/off HS-BTSP1000

Function	Operation	LED indicator
Switching on HS-BTSP1000	Switch power on/off button to on	Power LED indicator is on and Bluetooth LED indicator flashes
Switching off HS-BTSP1000	Switch power on/off button to off	All indicator lights are off

### Remarks:

- Every time HS-BTSP1000 is switched on, it will enter pairing mode automatically;
- Power LED indicator is on as long as HS-BTSP1000 is switched on;
- You can switch off HS-BTSP1000 to disconnect from the Bluetooth device.

## **2. Pairing HS-BTSP1000 with Bluetooth devices**

### **1) Pairing with a Bluetooth cell phone**

Please make sure your cell phone is Bluetooth-enabled. Specific pairing steps may vary with different cell phones. Please refer to your cell phone's user's manual for further information. The general pairing steps are as follows:

- a) Keep HS-BTSP1000 and Bluetooth cell phone within 1 meter when pairing;
- b) Switch on HS-BTSP1000 to let it enter pairing mode (Bluetooth LED indicator flashes);
- c) Switch on your cell phone's Bluetooth function and search for Bluetooth devices. After the search is completed, select "HS-BTSP1000" from the Bluetooth device list.
- d) According to indication, enter password or PIN No:"0000" and press "Yes" or "confirm".
- e) After successful pairing, select "HS-BTSP1000" from the Bluetooth device list and press "connect". The Bluetooth LED indicator will remain on when connected successfully.

### **2) Pairing with a Bluetooth stereo transmitter**

Different Bluetooth transmitters have different pairing ways, please refer to your Bluetooth transmitter's user's manual for further information. The general pairing steps are as follows:

- a) Keep HS-BTSP1000 and Bluetooth transmitter within 1 meter when

pairing;

- b) Switch on HS-BTSP1000 to let it enter pairing mode (Bluetooth LED indicator flashes);
- c) Switch on your Bluetooth transmitter and let it enter pairing mode;
- d) The transmitter will search and connect with HS-BTSP1000 automatically. After successful connecting, the Bluetooth LED indicator of HS-BTSP1000 is always on.

### **Remarks:**

- If HS-BTSP1000 is switched on and doesn't connect to any devices, it keeps pairing mode all the time and Bluetooth LED indicator flashes;
- HS-BTSP1000 will return to pairing mode automatically after disconnecting from a Bluetooth device.

### **3. Music playback**

#### **1) Connecting with a A2DP cell phone or Bluetooth transmitter**

- a) Connect your cell phone or Bluetooth transmitter with HS-BTSP1000;
- b) You can listen to your music from HS-BTSP1000 now when playing it back;
- c) Press **VOL+** to turn up the volume, press **VOL-** to turn down the volume.

#### **2) Connecting with a non-Bluetooth music player**

- a) Connect your music player to line-in jack of HS-BTSP1000 using



- a 3.5mm to 3.5mm audio cable;
- b) You can listen to your music from HS-BTSP1000 now when playing it back.

### **Remarks:**

- If there is an incoming or outgoing call while HS-BTSP1000 is connected to your cell phone for music playback, it will pause at once and resume after the call ended.
- When HS-BTSP1000 is connected to a non-Bluetooth audio device, the Bluetooth is off and the Bluetooth function will not be available. If you want to play music from a Bluetooth device you have to unplug the 3.5mm audio cable first.

### **• Care and maintenance**

Read the following recommendations before using HS-BTSP1000. Following these, you will be able to enjoy our product for many years.

- Keep it dry and don't take it to damp places to avoid the product's internal circuit being affected.
- Keep the product away from direct sunlight or hot places. High temperatures will shorten the life of electronic devices, destroy the battery or distort certain plastic parts.
- Don't expose the product to cold areas. It may damage the internal circuit board.
- Don't try to disassemble the product as it may get damaged if you are not professional.
- Don't let it fall down onto the floor or other hard surfaces. The internal circuit might get damaged.
- Don't use intensive chemical products or detergent to clean the product. Don't scratch the product with sharp objects.

## ▪ FAQs

### **1. What to do when HS-BTSP1000 can't connect to a Bluetooth device?**

- a) Ensure HS-BTSP1000 already entered pairing mode;
- b) Ensure the Bluetooth device is in the effective working range.

### **2. What to do when HS-BTSP1000 is connected to a Bluetooth cell phone but doesn't play music?**

- a) Ensure your cell phone supports Bluetooth A2DP profile;
- b) Ensure your cell phone is in the effective working range.

### **3. How far is the effective range between HS-BTSP1000 and a Bluetooth device?**

According to the Bluetooth standard, the maximum controllable range of Class II speaker is 10 meters. But it varies under different environments and depends on the paired cell phone.

## ▪ Specifications

<b>Bluetooth version</b>	Bluetooth V 2.1
<b>Bluetooth profile</b>	A2DP
<b>Bluetooth frequency range</b>	2.4GHz - 2.4835GHz
<b>Operating distance</b>	10 meters, class II
<b>Power supply</b>	AC adaptor
<b>Working temperature</b>	0~55 Degrees Celsius
<b>Storage temperature</b>	-20~70 Degrees Celsius
<b>Dimensions</b>	380×160×180mm
<b>Weight</b>	4.3kg

## ▪ Contact Us

### **Need assistance? Please call us!**

If you encounter any difficulties with this product, please visit our website at [www.hipstreetonline.com](http://www.hipstreetonline.com) and review our support section or call us. Our representatives are ready to help you with any questions about your product. We can guide you through connections, first-time use, or any of the features. Just give us a call or send us an email.

Customer & Technical Support: **1-888-456-2426**

Monday through Friday: 8:30am – 5:00pm EST

Email: [support@hipstreetonline.com](mailto:support@hipstreetonline.com)

**We want you to start enjoying your product right away!**

### **Federal Communication Commission Interference Statement**

This equipment has been tested and found to comply with the limits for a Class B digital device, pursuant to Part 15 of the FCC Rules. These limits are designed to provide reasonable protection against harmful interference in a residential installation. This equipment generates uses and can radiate radio frequency energy and, if not installed and used in accordance with the instructions, may cause harmful interference to radio communications. However, there is no guarantee that interference will not occur in a particular installation. If this equipment does cause harmful interference to radio or television reception, which can be determined by turning the equipment off and on, the user is encouraged to try to correct the interference by one of the following measures:

- Reorient or relocate the receiving antenna.
- Increase the separation between the equipment and receiver.
- Connect the equipment into an outlet on a circuit different from that to which the receiver is connected.
- Consult the dealer or an experienced radio/TV technician for help.

This device complies with Part 15 of the FCC Rules. Operation is subject to the following two conditions: (1) This device may not cause harmful interference, and (2) this device must accept any interference received, including interference that may cause undesired operation.

FCC Caution: Any changes or modifications not expressly approved by the party responsible for compliance could void the user's authority to operate this equipment.

This device complies with FCC RF radiation exposure limits set forth for general population (uncontrolled exposure). This device must not be collocated or operating in conjunction with any other antenna or transmitter.