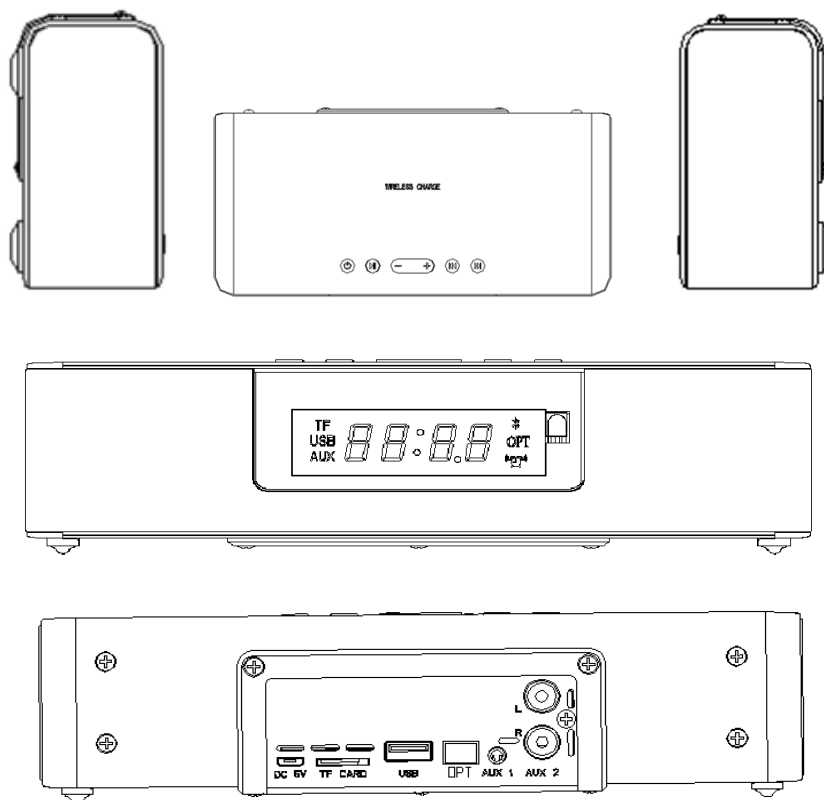


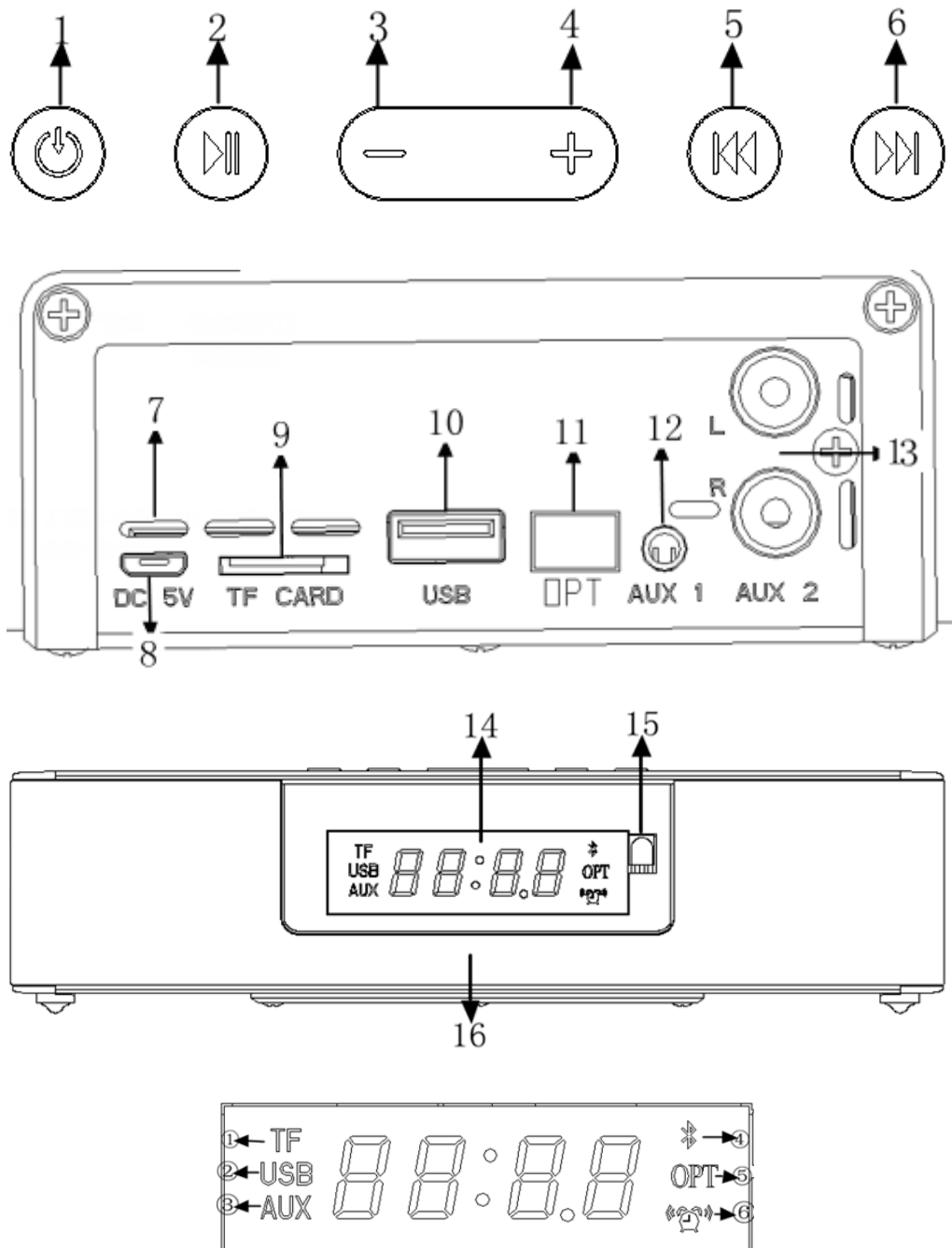
User Manual

BS-39B Bluetooth Soundbar Speaker



Bluetooth Version:	V4.2+BR+EDR+BLE
Bluetooth Frequency:	2402MHz-2480MHz
Bluetooth distance:	10M
Support music codec	MP3,WAV,WMA,FLAC,APE
Charging time:	5 hours
Standby time:	120 hours
Music play time	upon to 5.5 hours
Battery:	3.7V/4000mA
SNR:	-80db
Charging plug:	Micro USB
Charging voltage:	DC 5V/2A
Speaker power:	5W×2
Net weight:	680g
Dimension:	248×102×57mm

Graphic illustration



Function Indicator

1. Power on/off button and mode switch button
2. Music play/pause button, Time settings, Alarm settings, Call button
3. Volume down/ Time adjustment decrease
4. Volume up/ Time adjustment increase
5. Previous song
6. Next song

7. Charging indicator light
8. DC 5V Micro USB charging port
9. TF card reader
10. USB socket
11. Optical input socket
12. 3.5mm audio input socket
13. RCA input socket
14. LED display screen
15. Infrared receiver (remote receiver)
16. Microphone

Operation Instruction

Power On/Off and Mode Switching

1. Power on: long press on/off button for 3-5 seconds, now default clock mode.
2. Mode switching: press on/off button to enter Bluetooth/RCA/OPT mode.
3. Power off: long press on/off button for 3-5 seconds.

Time Setting

1. Power on: long press on/off button for 3-5 seconds, now default clock mode.
2. Long press “▶ ||” button for 3 seconds until the hour setting start to flash, then use “+” “-” button to adjust hour.
3. After hour is set press “▶ ||” again to move the flashing to minute, then use “+” “-” button to adjust minute.
4. Speaker will exit the setting mode automatically in 5 seconds.

Alarm Setting

1. Power on: long press on/off button for 3-5 seconds, now default clock mode.
2. Long press “▶ ||” button for 3 seconds until the hour setting start to flash, then move the flashing by pressing “▶ ||” button to alarm hour setting.(Loop Order: Clock Hour→Clock Minute→Alarm Hour→Alarm Minute→Alarm On/Off)
3. After enter alarm setting mode, Alarm symbol (ⓐ) on LED screen will flash every second.
4. Use “+” “-” button to adjust the time and turn on/off the alarm.
5. The alarm tone rings at the present time for 1 minute.
6. When alarm is turn on symbol (ⓐ) is always on, when Alarm is turn off, symbol (ⓐ) is off.

NOTE: the speaker will exit setting mode automatically in 5 seconds.

Bluetooth Mode

1. Power on: long press on/off button for 3-5 seconds, now default clock mode. Short press on/off button to change the mode to Bluetooth mode.
2. After enter the Bluetooth mode, Bluetooth symbol (ⓑ) on LED screen start to flash every second. After connected successfully, the Bluetooth symbol (ⓑ) will stay on.
3. Switch on Bluetooth searching mode on the cell phone. After pairing successfully, the devices name(**BS-39**) will be shown connected on the cell phone, then you can open

phone player and play songs. Due to different brands of mobile phone and Bluetooth versions, the searching and pairing time will be various. Under normal circumstances, it only takes 30 seconds. If the pairing password is needed, please type "0000" on the cell phone.

4. Press "+" "-" button to volume up and down.
5. Press "⏪ ⏩" "⏴ ⏵" button to switch songs.
6. Short Press "▶ ||" button to play or pause music.

Hands-free Function

1. Answer a call: When receiving an incoming call, press "▶ ||" button to answer the phone.
2. Hang up: during a call, press "▶ ||" button to hang up the phone.
3. Refuse a call: When the phone ring, long press "▶ ||" button for 3 seconds.
4. Redial: double click "▶ ||" button to call the last phone number on call record.

NOTE: Hands-free calling only functions in Bluetooth mode.

3.5mm-AUX Mode

1. Connect 3.5mm plug to cell phone/MP3/computer, then connect the other end to the speaker.
2. Turn on the speaker(now in clock mode), press on/off button to switch the mode to AUX mode.
3. After enter the AUX mode, the AUX symbol (ⓐ) will stay on.
4. Press "+" "-" button to volume up and down.
5. Short press " ||" button to play or mute the speaker.

NOTE: The speaker can not switch songs in AUX mode.

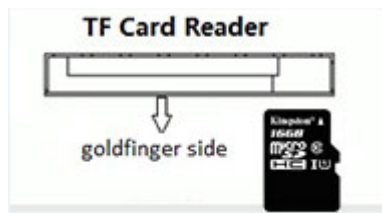
Optical Mode

1. Connect optical plug to digital TV or DVD, then connect the other end to the speaker.
2. Turn on the speaker(now in clock mode), then press on/off button to switch the mode to optical mode.
3. After enter optical mode, the OPT symbol (ⓑ) will stay on.
4. Press "+" "-" button to volume up and down.
5. Short press " ||" button to play or mute the speaker.

NOTE: The speaker can not switch songs in optical mode.

TF Card Mode

1. Plug the TF card in the TF card reader.
2. Turn on the speaker(now in clock mode), press on/off button to switch the mode to TF card mode.
3. After enter TF card mode, the TF symbol (ⓒ) will stay on.
4. Press "+" "-" button to volume up and down.
5. Press "⏪ ⏩" "⏴ ⏵" button to switch songs.
6. Short press "□ ||" button to play or pause music.
7. TF card insert direction: please refer to below picture.



TV Mode

1. Connect the RCA plug to the speaker, and connect the RCA plug to the TV RCA audio output socket.
2. Turn on the speaker(now in the clock mode),then press the on/off button to switch the mode to RCA mode.
3. After enter RCA mode, AUX symbol (ⓐ) start flashing every second.
4. Press “+” “-” button to volume up and down.
5. Short press “□ ||” button to play or mute the speaker.

NOTE:1) Make sure the TV has RCA audio output socket.

- 2) Make sure the RCA plug connect correctly to the TV RCA audio output socket.
- 3) The speaker can not switch the TV channel and previous/next song in RCA mode.

USB Mode

1. Plug the USB in USB socket.
2. Turn on the speaker(now in clock mode), press on/off button to switch the mode to USB mode.
3. After enter USB mode, the USB symbol (ⓑ) will stay on.
4. Press “+” “-” button to volume up and down.
5. Press “|◀◀” “▶▶|” button to switch songs.
6. Short press “□ ||” button to play or pause music.

FM Radio Mode

1. Turn on the speaker(now in clock mode), connect 3.5MM(AUX) cable to AUX 1 socket as radio antenna(now in AUX mode),and then press on/off button to switch the mode to FM Radio Mode.
2. After enter FM radio mode, LED screen will display frequency point 87.5. FM frequency band is 87.5-108Hz.
3. FM Auto searching mode: long press “□ ||” button to start searching. Frequency search range is 87.5-108. Each time a radio station is found, the speaker will automatically save it.
4. FM Manual searching mode: long press “|◀◀” “▶▶|” button to search radio stations. When search for the exact radio station,short press “|◀◀” “▶▶|” button to stop searching.
5. Short press “+”“-” button to volume up and down.
6. Short press “|◀◀” “▶▶|” button to switch the radio station.(radio stations switch only happen on more than 2 radio stations.)
7. Short press “□ ||” button to mute or play the speaker.

Battery Charge

Use the offered USB charging cable to charge the speaker by connecting to the computer

or 5V/2A power source. The indicator light will turn red while charging. When the battery is full charged, the red indicator light will turn off.

Wireless Charge

1. Place the phone which with wireless charging function on the wireless charging area of the speaker.
2. Turn on the speaker and enter the audio mode to charge the phone.

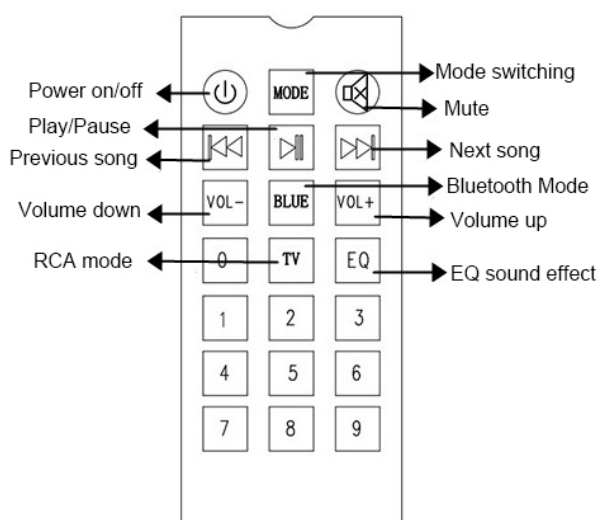
NOTE:

Charge the phone with 3000mAH in the wireless charging state.

Charge the phone with 1500mAH and 2 hours playing time in the wireless charging and playing songs state.

If wireless charging is not working, please check if the phone and speaker charging area are docked.

Remote Control



- NOTE:**
- 1) next/previous song button will not function in 3.5mm input mode or RCA mode
 - 2) Songs select number button only function in the TF card music play mode.
 - 3) Power on/off button on remote control only perform soft-off function. Press once the speaker enter soft-off. Press again enter soft-start. Buttons on speaker has no function in soft-off mode, except long press the power on/off button.
 - 4) Time adjustment and alarm on/off can be performed using the remote control in the clock mode;
 - 5) Press remote controller “□ ||” button to enter the clock or alarm adjustment mode, and increase or decrease the time by pressing “|◀◀” “▶▶|” button.
 - 6) Short press remote controller “□ ||” button to quickly turn the alarm on or off in clock mode.
 - 7) Switch the EQ sound effects by pressing the EQ button:①ordinary music;②rock music;③pop music;④classical music;⑤jazz music;⑥country music

Common problems and solving method

1. Connecting for many times still unsuccessful?
 - (1) Check the speaker whether is on Bluetooth searching mode.
 - (2) If there are too many Bluetooth receivers around, it may cause the difficulty on searching. Please turn off other Bluetooth receivers.
 - (3) Open the Bluetooth settings on your phone, cancel pairing and reconnect.
2. The volume of speaker is too low or appear distortion? Please check the volume settings of your phone and adjust the volume.
3. Discontinuities appear when playing music? Please check the distance whether is out of effective range or there are barriers between your phone and the speaker.
4. The buttons have no effect to the speaker? Please try to use the player on phone or other players.

NOTE:

1. If connected to tablet, please refer to the phone connection method.
2. Laptop connection: Due to having many laptop's Bluetooth versions, the connecting method would be various. If fail to connect or play at the first time, please download the latest Bluetooth driver.

FCC Statement

Changes or modifications not expressly approved by the party responsible for compliance could void the user's authority to operate the equipment.

This equipment has been tested and found to comply with the limits for a Class B digital device, pursuant to Part 15 of the FCC Rules. These limits are designed to provide reasonable protection against harmful interference in a residential installation. This equipment generates uses and can radiate radio frequency energy and, if not installed and used in accordance with the instructions, may cause harmful interference to radio communications. However, there is no guarantee that interference will not occur in a particular installation. If this equipment does cause harmful interference to radio or television reception, which can be determined by turning the equipment off and on, the user is encouraged to try to correct the interference by one or more of the following measures:

- Reorient or relocate the receiving antenna.
- Increase the separation between the equipment and receiver.
- Connect the equipment into an outlet on a circuit different from that to which the receiver is connected.
- Consult the dealer or an experienced radio/TV technician for help

This device complies with part 15 of the FCC rules. Operation is subject to the following two conditions (1) this device may not cause harmful interference, and (2) this device must accept any interference received, including interference that may cause undesired operation.

This equipment complies with FCC radiation exposure limits set forth for an uncontrolled environment. This equipment should be installed and operated with minimum distance 20 cm between the radiator & your body