

ZillionSource Technologies

Door-to-Door, Real-Time Supply Chain Visibility & Control



www.ZillionSource.com

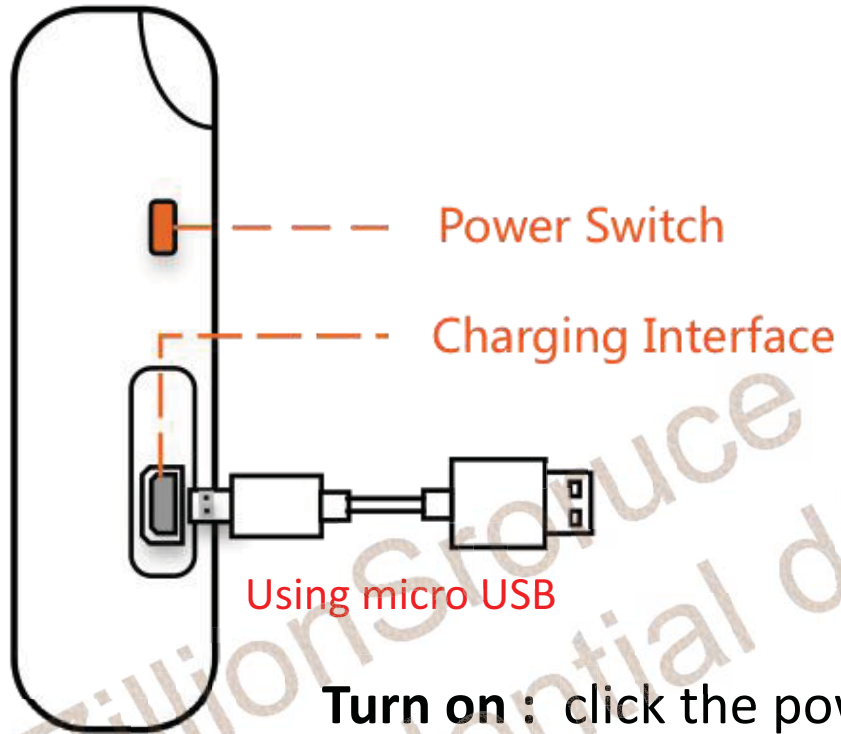
ZillionSource: World's Most Powerful Tracking & Monitoring Solution

Installation Guide

Update: 08.01.2017



Device Operation Introduction

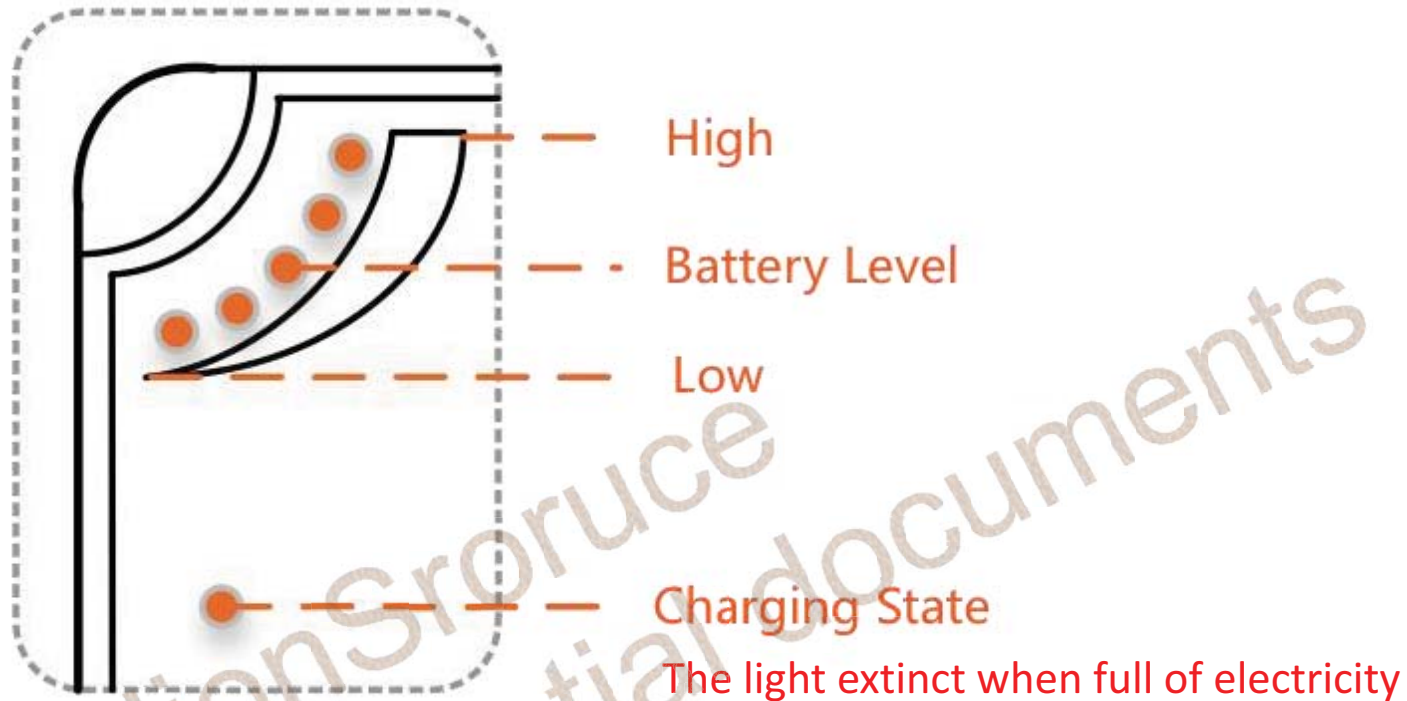


Turn on : click the power switch button over 2 seconds

Turn off : click the power switch button over 5 seconds.

Status check : click the power switch button less than 1 second

Device Operate Introduction



Turn off : the battery indicator will extinct one by one

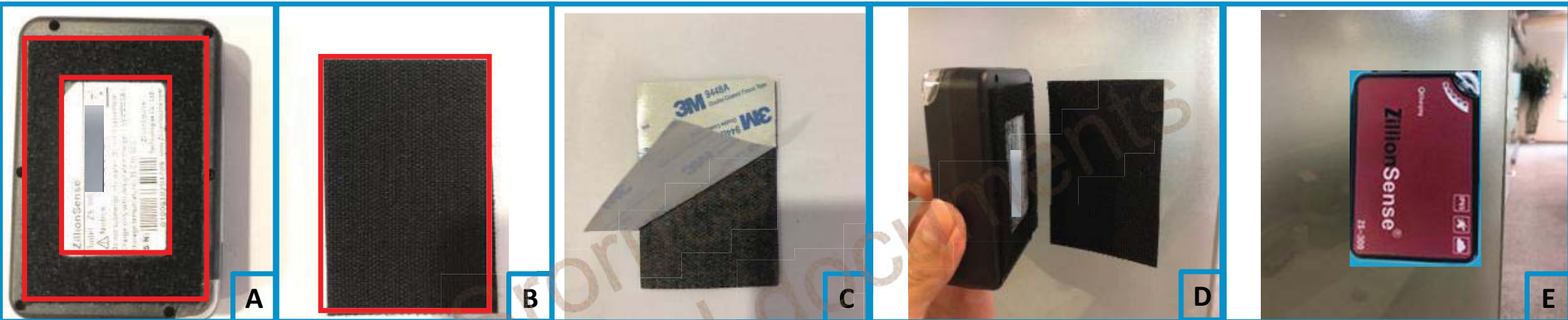
Turn on : the battery indicator will spark at the same time then extinct

Status check : if the power is on, the battery indicator will spark one time

ZillionSource Technologies

Door-to-Door, Real-Time Supply Chain Visibility & Control

Velcro Installion Instructions



Velcro Introduction

Picture A - loop side of Velcro (already fixed on ZillionSense)

Picture B - hook side of Velcro (disposable ones; we may send two pieces of hook side for each device with new booking for free)

Installion Instructions

- uncover the paper on back of the hook side of Velcro (see picture C)
- paste the hook side on poper postion (see picture D)
- fix the loop side onto the hook side and ensure they are affixed firmly (see picture E)

- please keep the surface where be affixed on clean and dry
- please enure the device is affixed firmly before departure
- please retrieve the device after arriving (no need taking back hook side of Velcro)

Device Installation

Fix the device on the internal surface of container door frame

Mainly focus on when and where container door be opened.

- Push the power switch button for less than 1 second and quickly release it to ensure that the device is in good and workable condition. (4 lights on at least)
- Keep the internal surface of the container frame clean and dry.
- Affix the hook side of Velcro to the internal surface of a container door frame. (affix the edging of the Velcro along the borderline of the door frame)
- Use the loop side of the tape to attach ZillionSense to the hook side. (see the right picture)
- Please keep the device vertical and the light sensor turn in the direction of the door opening side.
- Ensure the device is aligned with the internal container frame and affixed firmly.



Device Installation

Fix the device on the internal surface of container door

Mainly focus on when and where container door be opened.

- Push the power switch button for less than 1 second and quickly release it to ensure that the device is in good and workable condition. (4 lights on at least)
 - Keep the internal surface of the container door clean and dry. (the right door of the container)
 - Affix the hook side of Velcro to the upper portion of a container door inner surface. (in the center of width and keep away from the door frame)
 - Use the loop side of the tape to attach ZillionSense to the hook side. (see the right picture)
- Please keep the device vertical and the light sensor turn in the direction of the door opening side.
 - Ensure the device is affixed firmly.



Device Installation

Fix the device on cargo (upper side)

Mainly focus on when and where theft occurred and may keep tracing if still be with cargo.

Suitable for cargo with height lower than 2/3 of the whole container.
Not suitable for metal or inflammable and explosive dangerous goods.

- a. Push the power switch button for less than 1 second and quickly release it to ensure that the device is in good and workable condition. (4 lights on at least)
- b. Keep the upper side of cargo clean and dry.
 - Affix the hook side of Velcro to the upper portion of the good. (near door opening side)
 - Use the loop side of the tape to attach ZillionSense to the hook side. (see the right picture)
 - Please keep the light sensor facing door opening side. (see the right picture)
- a. Ensure the device is affixed firmly.



**keep the light sensor facing
door opening side**

Device Installation

Fix the device on cargo (side face)

Mainly focus on when and where theft occurred and may keep tracing if still be with cargo.

Not suitable for metal or inflammable and explosive dangerous goods.

a. Push the power switch button for less than 1 second and quickly release it to ensure that the device is in good and workable condition. (4 lights on at least)

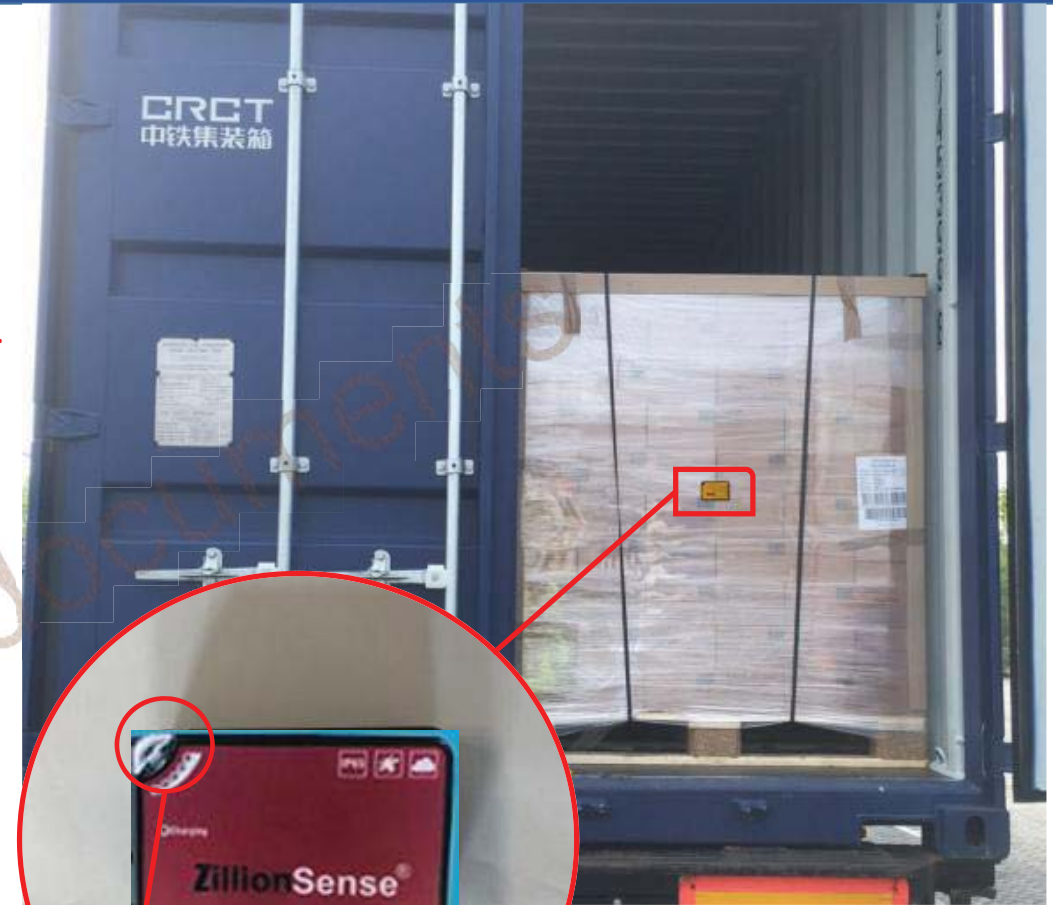
b. Keep the side face of cargo clean and dry.

- Affix the hook side of Velcro to the side portion of the good. (facing door opening side)

- Use the loop side of the tape to attach ZillionSense to the hook side facing door opening side. (see the right picture)

a. Please keep the light sensor facing door opening side. (see the right picture)

- Ensure the device is affixed firmly.



keep the light sensor facing door opening side

Device Installation

Fix the device on pallet

Mainly focus on when and where theft occurred.

To avoid be damaged by forklift, please --

- Instal ZillionSense after cargo loading.
- Unload ZillionSense before cargo discharging.

a.Push the power switch button for less than 1 second and quickly release it to ensure that the device is in good and workable condition. (4 lights on at least)

b.Keep the surface of pallet clean and dry.

- Affix the hook side of Velcro to the pallet near container door.
- Use the loop side of the tape to attach ZillionSense to the hook side near container door opening postion. (see the right picture)
- Please keep the light sensor facing door opening side. (see the right picture)
- Ensure the device is affixed firmly.



keep the light sensor facing door opening side

ZillionSource Technologies Co. Ltd.

Contact ZillionSource



Contact Us

Email: support@zillionsource.com

Tel: +86 21 61921920



廣采眾源
ZILLIONSOURCE

ZillionSource Homepage

<http://www.zillionsource.com/>

<http://www.tubaogps.com/>



Following in LinkedIn: ZillionSource Technologies Co., Ltd.

FCC RF Exposure Information and Statement

This device meets the government's requirements for exposure to radio waves. The guidelines are based on standards that were developed by independent scientific organizations through periodic and thorough evaluation of scientific studies. The standards include a substantial safety margin designed to assure the safety of all persons regardless of age or health. The SAR limit of USA (FCC) is 1.6 W/kg averaged. Device types: Environmental variable collector for logistics (FCC ID: 2ACRJZS-300) has also been tested against this SAR limit. SAR information on this and other pad can be viewed on - line at <http://www.fcc.gov/oet/ea/fccid/>. Please use the device FCC ID number for search. This device was tested simulation typical 5mm to body. To maintain compliance with FCC RF exposure requirements, use accessories should maintain a separation distance between the user's bodies mentioned above.

FCC Warning

This device complies with Part 15 of the FCC Rules. Operation is subject to the following two conditions:

(1) This device may not cause harmful interference, and (2) this device must accept any interference received, including interference that may cause undesired operation.

NOTE 1: This equipment has been tested and found to comply with the limits for a Class B digital device, pursuant to part 15 of the FCC Rules. These limits are designed to provide reasonable protection against harmful interference in a residential installation. This equipment generates, uses and can radiate radio frequency energy and, if not installed and used in accordance with the instructions, may cause harmful interference to radio communications. However, there is no guarantee that interference will not occur in a particular installation. If this equipment does cause harmful interference to radio or television reception, which can be determined by turning the equipment off and on, the user is encouraged to try to correct the interference by one or more of the following measures:

- Reorient or relocate the receiving antenna.
- Increase the separation between the equipment and receiver.
- Connect the equipment into an outlet on a circuit different from that to which the receiver is connected.
- Consult the dealer or an experienced radio/TV technician for help.

NOTE 2: Any changes or modifications to this unit not expressly approved by the party responsible for compliance could void the user's authority to operate the equipment.