

Superdry Extreme

Touch-free automatic electric hand dryer



20012NZ - Superdry Extreme with Cast Alloy Case

zenith^o
instant boiling water

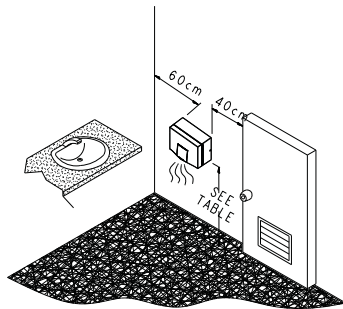
1. SPECIFICATIONS :

Activation	Activated by an Infrared sensor. The machine operates automatically.
Dimensions W x H x D	326 x 254 x 188 mm (12.8" x 10" x 7.4")
Voltage/Power	220-240V, 50Hz, 2000- 2200W
Detection Distance	180 ± 20mm (7.0" ± 0.78") Kodak White Scale
Operation Duration	60 sec (Self protection automatic shutoff)
Motor Type	Induction Type (Brushless)

This machine is equipped with Infrared sensor for automatic activation.

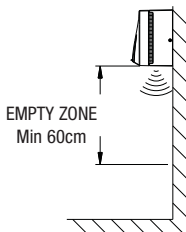
3. STANDARD INSTALLATION :

Mens' washroom	1065 mm
Ladies' washroom	1015 mm
Disabled washroom	800 mm



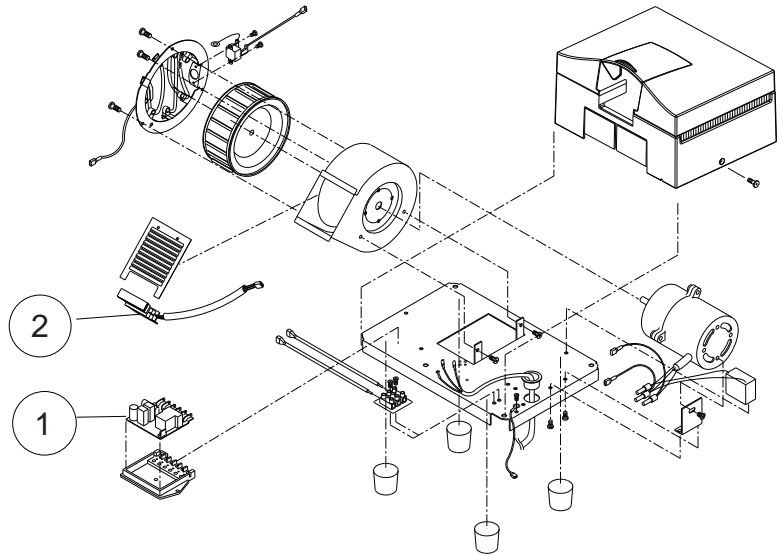
4. BEFORE INSTALLATION :

- 4.1 Make sure the sensor is located 60cm (23inches) above everything below to prevent false triggers due to reflection.
- 4.2 Never install hand dryer onto a wooden or plastic wall finish.
- 4.3 Before installation, make sure the power source complies with specification of the machine and local requirement and that the power cord can reach the power outlet.



2. PACKING LIST :

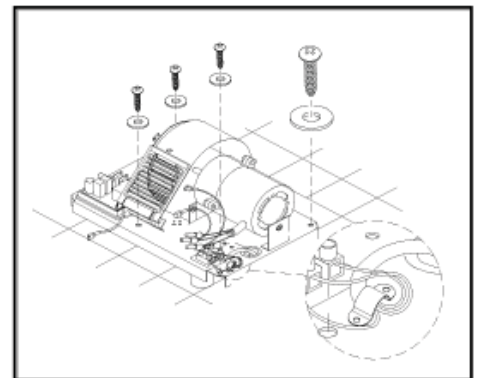
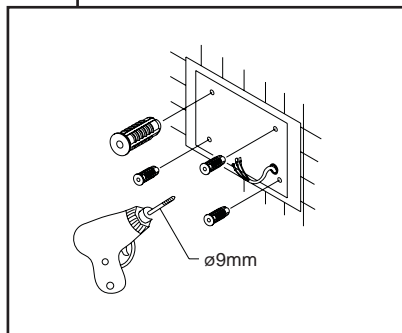
	Illustration	Description	Qty		Illustration	Description	Qty
1		Security Wrench	1 Pc	5		Plastic Dowel	4 Pcs
2		Installation Instruction	1 Pc	6		Fixing Screw	4 Pcs
3		Installation Template	1 Pc	7		Washer	4 Pcs
4		Hand Dryer	1 Set	8		Power Cord	1 Pc



ITEM	DESCRIPTION	KIT NO.
1	PCB CONTROL KIT	99128

5. INSTALLATION STEPS:

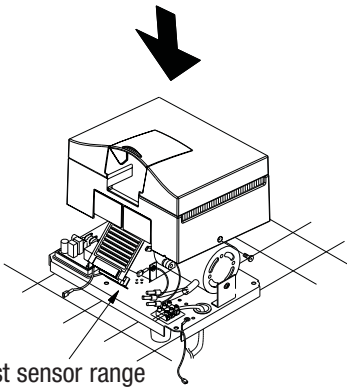
- 5.1.1 Remove the cover from the hand dryer by unscrewing the two side screws and lift the cover off.
- 5.1.2 Paste the Installation Template at the appropriate location on the wall.
- 5.1.3 Drill four ø9mm holes and insert plastic dowels.



- 5.3 The hand dryer unit comes with a flexible power cord and plug.
- 5.4 For concealed wiring, drill hole on wall using template for rear cable entry. Wire to 220-240V AC power source rated at 10 Amps.

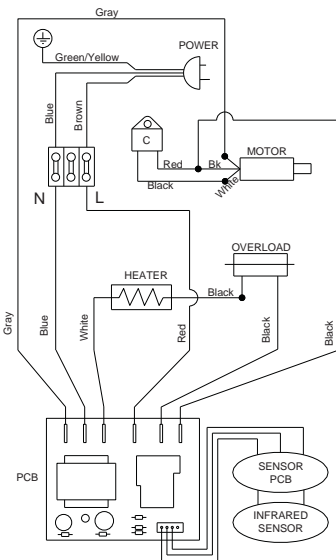
6. INSTALLATION CHECK :

- 6.1 Insert security screws and tighten them.
- 6.2 Plug into power outlet and check power is ON.



Adjust sensor range here

9. WIRING DIAGRAM :



11. TROUBLE SHOOTING (FOR QUALIFIED ELECTRICIAN USE ONLY) :

Problem	Diagnosis	Solution
Hand dryer does not work.	Check power supply is on.	Turn on the power
	The sensor cable is unplugged.	Connect the cable properly.
	Sensing distance too short.	Adjust sensing distance as per Section 8.
	Sensor Assy or Power cord out of order.	Contact the vendor for service.
Cold air without heat.	Heater out of order.	
No air but heat.	Motor out of order.	
	Motor condenser out of order.	

7. OPERATION INSTRUCTIONS :

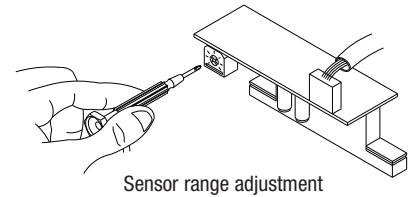
- 7.1 The machines starts operating automatically when user's hands are put approximately 80mm (3.15") below the sensor located next to the air louvre. Whenever the hands are moved out of the sensing range, the machine will stop after approximately 0.5 seconds
- 7.2 The 0.5 second time delay helps avoid false triggers by unexpected movements.
- 7.3 When the air temperature is over 120°C

or any fault has occurred, the thermal cut-out will shut off the power to the heater.

- 7.4 For safety reasons, the machine will immediately stop operating when it is used continuously for 60 seconds. The machine returns to standard function when hands are moved away.

8. ADJUSTMENT OF SENSOR :

- 8.1 Turn off power first.
- 8.2 Loosen Security Screws and remove the Aluminum Housing. (Use the Security Wrench from the supplied package in the carton.)
- 8.3 Refer to drawing shown in Section 6 for the location of the sensor range adjustment device .
- 8.4 Use a tiny flat screw driver to turn adjustment screw in clockwise direction to lengthen the sensing distance. To shorten the sensing distance turn in counter-clockwise direction.
- 8.5 After finishing the adjustment, put back the aluminum housing and fasten it.



Sensor range adjustment

10. IMPORTANT NOTICE :

- 10.1 Turn off power supply prior to removing outer case.
- 10.2 Turn off power supply before maintenance or cleaning. If aluminium housing or air louvre are covered with dust, do not splash water onto it. Use only damp sponge or cloth to wipe dirt off.
- 10.3 Never try to put a small screwdriver or any other object into the holes of the air louvre from outside. This might cause damage to the interior parts, and electric shock may occur.
- 10.4 Keep sensor case clean, never use any abrasive cleaning agent, rough surface articles, steel brush or sand paper to rub the sensor case. This will make the sensor case dull and decrease the sensitivity of the sensor.
- 10.5 For safety, do not dry other objects except hands.
- 10.6 Do not allow young children, handicapped or infirm persons to use the Hand Dryer without supervision.
- 10.7 If any cord or plug is damaged, it must be repaired only by a qualified technician.
- 10.8 To avoid hazards, all installation procedures must be carried out by a suitably qualified tradesperson.

Contact Information

Registering your product:

Registering your installation on the Zenith Heaters Limited website may help to establish date of installation, should it become necessary to service the appliance, under the terms of Zenith Heaters Limited warranty. To register your installation go to www.zenithheaters.co.nz and look under the heading "Warranty".

As Zenith Heaters Limited policy is one of continuous product improvement, changes to specifications may be made without prior notice. Images in this booklet have been modified and may not be true representations of the finished goods.



The use of this crossed out wheeled bin logo indicates that this product needs to be disposed of separately to any other household waste.

Within each of the European Union member countries, provisions have been made for the collection and recycling of unwanted electrical and electronic equipment. Outside of the EU it will be necessary to dispose of this product at your local community waste collection or recycling centre.

In order to help preserve our environment we ask that you dispose of this product correctly. Please contact your local city council for collection centre details

Head Office

Zenith Heaters Limited,
Unit 2/15 Moselle Avenue,
Henderson.
Auckland. 0610
New Zealand.

www.zenithheaters.co.nz

Telephone: 0800 558055
Facsimile: 0800 559055

zenith^o
instant boiling water