

Zip HydroTap® G4

Tap installation instructions



Tap options

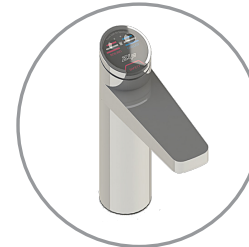
The G4 series offers a range of interchangeable taps to suit the customer's needs



Classic HydroTap®G4 range



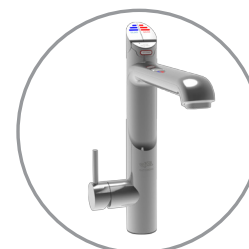
Arc / Cube range



Elite range



Mixer range



All-in-One range



Celsius range

○ These standalone taps are directly compatible with the G4 Command-Centre™.

○ The mixer tap range may be used in conjunction with any of the above to provide mixed hot and cold water for sanitary use.

○ The All-in-One and Celsius taps may be used as alternatives to the above combinations.

Index

Generic installation instructions

Using these instructions	4
Min / Max water supply pressure requirements	4
Special tool requirements.....	4
Hole & tap positioning	5
Connections	5

Tap installation

1 - HydroTap®G4 Classic and Elite taps installation	6
2 - HydroTap®G4 Arc / Cube installation.....	8
3 - Mixer tap installation	10
4 - All-in-One tap 'Mains' installation	12
5 - All-in-One tap 'Vented' installation	14
6 - Celsius tap installation	16

Product information

End of life disposal	19
Warranty.....	19
Contact details	20

Generic installation instructions



Using these instructions

These instructions are provided primarily to demonstrate how to install HydroTap®G4 taps and do not provide sufficient information to install and commission complete HydroTap®G4 systems. Please refer to all safety and installation requirements detailed in the installation instructions provided with the Command-Centre™ prior to any change to the complete system.

Min / Max water supply pressure requirements

HydroTap®s and Mains All-in-One sparking models.....0.25 MPa (2.5 bar) - 0.7 MPa (7 bar)

HydroTap®s and Mains All-in-One taps non-sparking models.....0.17 MPa (1.7 bar) - 0.7 MPa (7 bar)

Vented All-in-One sparking models.....0.25 MPa (2.5 bar) - 0.7 MPa (7 bar)

Mixer taps and Vented All-in-One non-sparking model taps.....0.20 MPa (2.0 bar) - 0.7 MPa (7 bar)

Tap installation special tool requirements

In addition to normal tools, the following will be required.

For the HydroTap®G4, Celsius and mixer taps.

- 35mm diameter sheet metal hole punch for sinks (not supplied).
- 35mm diameter hole saw for worktops (not supplied).
- Nut runner tube spanner (supplied for all but Celsius & mixer taps) for fixing the tap assembly.

For the All-in-One tap.

- 50mm diameter sheet metal hole punch for sinks (not supplied).
- 50mm diameter hole saw for worktops (not supplied).
- Nut runner tube spanner (supplied) for fixing tap assembly.

Font installation special tool requirements

- Sheet metal punch or hole saw to suit surface being cut. Ø140mm for Arc / Cube and Ø108mm for Classic and Elite.

Generic installation instructions

Hole positioning

Position the tap such that it dispenses into the sink bowl with ample clearance for a cup or tea pot. Alternatively, the tap could be mounted away from the sink using a Zip Font, available as an accessory. (See Major components and accessories, Command-Centre™ Installation instructions).

Tap positioning

Tap	Recommended dispensing distance (mm)
Elite	116
HydroTap® Classic	116
HydroTap® Arc/Cube	171 (-174 extended)
All-in-One	211
Celsius - Arc/Cube	220
Mixer - Arc	220
Mixer - Classic	270
Mixer - Cube	220



Note Celsius, All-in-One and mixer taps have spouts that swivel. All images are for illustrative purposes, to aid understanding of the system configuration, and are not prescriptive of tap positioning.

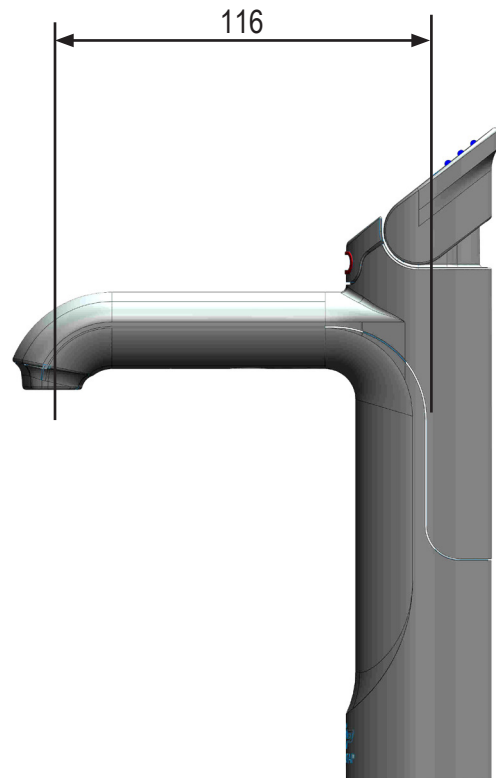
Ensure that the taps are mounted in a position that allows the water to safely drain to waste throughout the effective positional range.

Ensure that taps are positioned to minimise the risks of scalding by dispensing boiling water while using the mixer tap.

Connections

All plastic pipes / silicon tubes must be trimmed to size. They must have a constant fall to the Command-Centre™.

The connection tubes supplied with the tap head assembly CANNOT be lengthened.

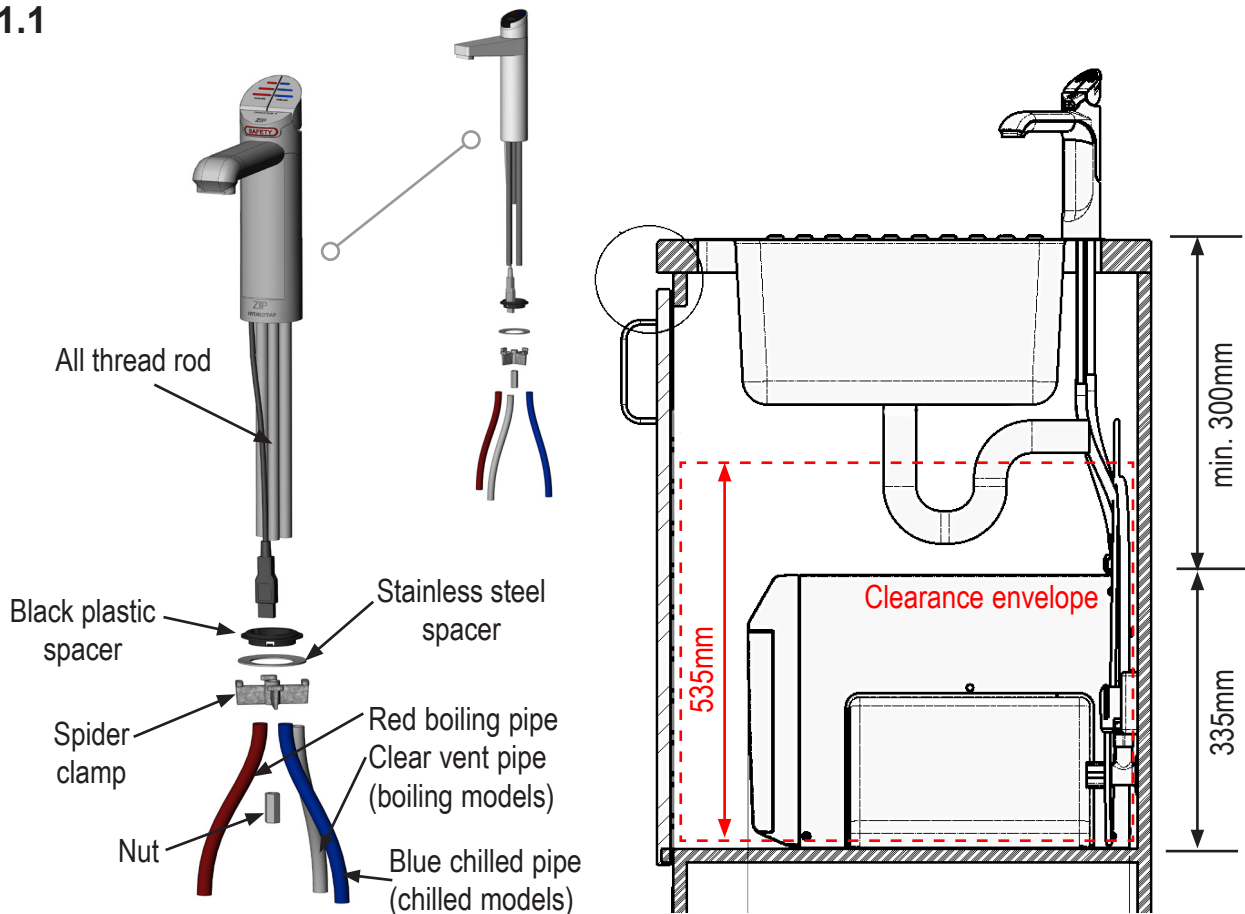


HydroTap® G4 Classic

Classic and Elite HydroTap® G4 installation



1.1

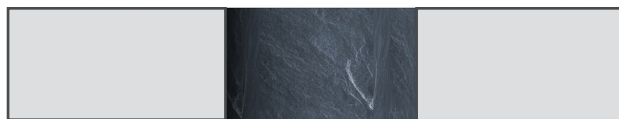


1.2

Apply a light smearing of silicon sealant on the underside of the spacer to ensure a watertight fit.

Cut a $\text{Ø}35\text{mm}$ hole in the worktop / sink.

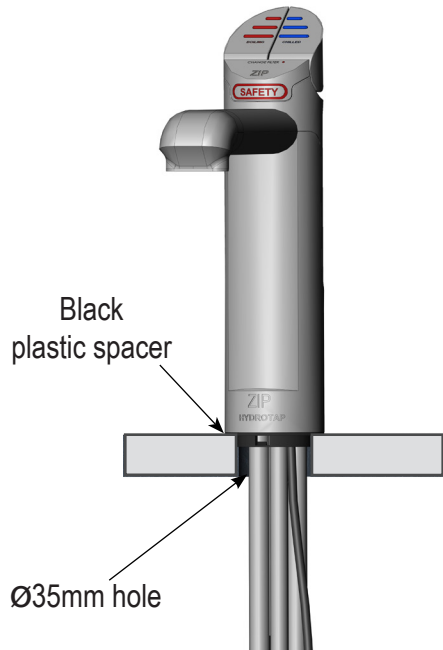
$\text{Ø}35\text{mm}$



Note Make sure the tap location will allow the tap spout to drain into the sink.

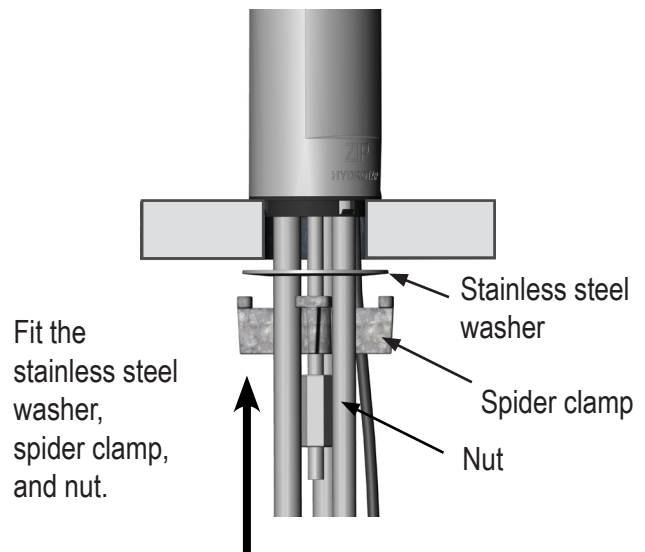
Classic and Elite HydroTap® G4 installation

1.3



Pass the tubes and USB cable through the Ø35mm hole.

1.4



Note Feed each of the tubes and USB cable evenly in between the legs of the spider clamp during installation.

Arc & Cube HydroTap®G4 installation



Arc / Cube

The HydroTap Arc/Cube has a spout that may be fixed in 1 of 6 angular positions (depending on the position of the rotary control) and fixed in one of two height positions. The spout is fixed and does not swivel.



To reduce the risk of scalding, Position *A should not be selected with any of the boiling water models. (See fig. 2.3).

2.1 Configuring the tap

- Remove the 2 x spout locating screws and lower the spout to expose the plastic spring clip.

Note The plastic spring clip has two internal dimples that may be positioned in the 6 upper or 6 lower, pre drilled holes in the spout (see diagram below & figs. 2.2 & 2.3).

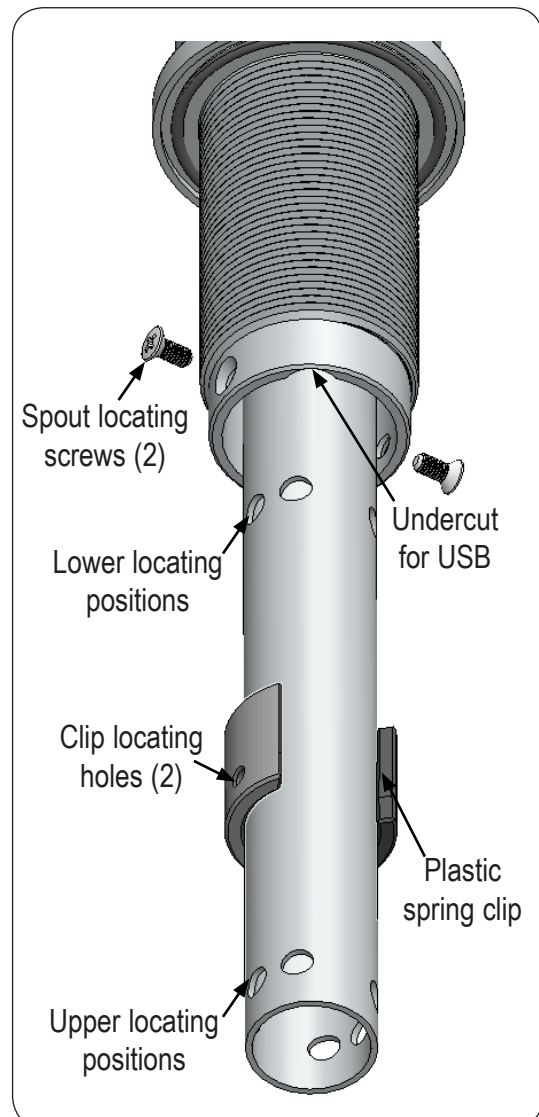
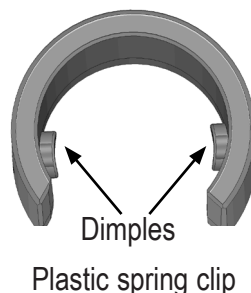
- To reposition the spout, gently spread the plastic spring clip to release the dimples from the spout holes. When released, slide the clip on the spout so that it ends up between the two rows of holes.
- Rotate the plastic clip on the spout to orient the dimples, so they are in line with the newly selected holes.

Note When determining which of the 6 holes are required for the new spout height and orientation, check the new plastic clip position will clear the undercut and that the USB lead will not be pinched, when assembled.

- Slide the plastic clip up/down to engage with the selected holes, making sure the two dimples engage simultaneously with the two selected holes.

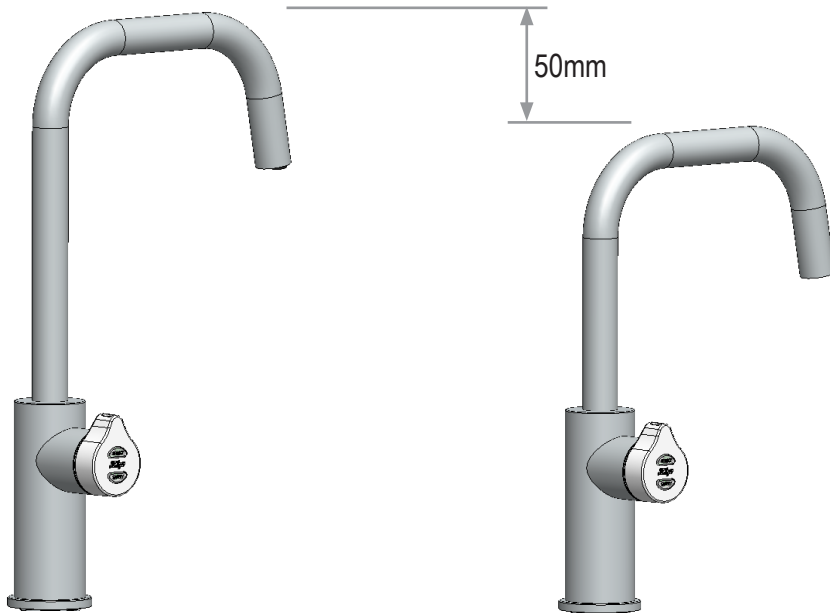
Note The clip will not fit correctly if one dimple engages before the other. Both dimples must engage at the same time.

- With the clip fitted to the newly selected holes, carefully raise the spout (ensure the USB lead is a neat fit in the undercut and is located between the open ends of the clip) until the clip locating holes are in line with the spout locating screws.
- Replace the 2 x locating screws.
- If mounting on an uneven surface, apply a light smearing of silicon sealant on the o-rings to ensure a watertight fit. (See fig. 2.4).
- Pass the assembly (ensuring upper o-ring, base ring and lower o-ring are in place) through the Ø35mm hole and position the tap so it discharges into the sink.
- Fit the lower rubber seal to the threaded extension.
- Secure the tap in position with the metal washer and nut.

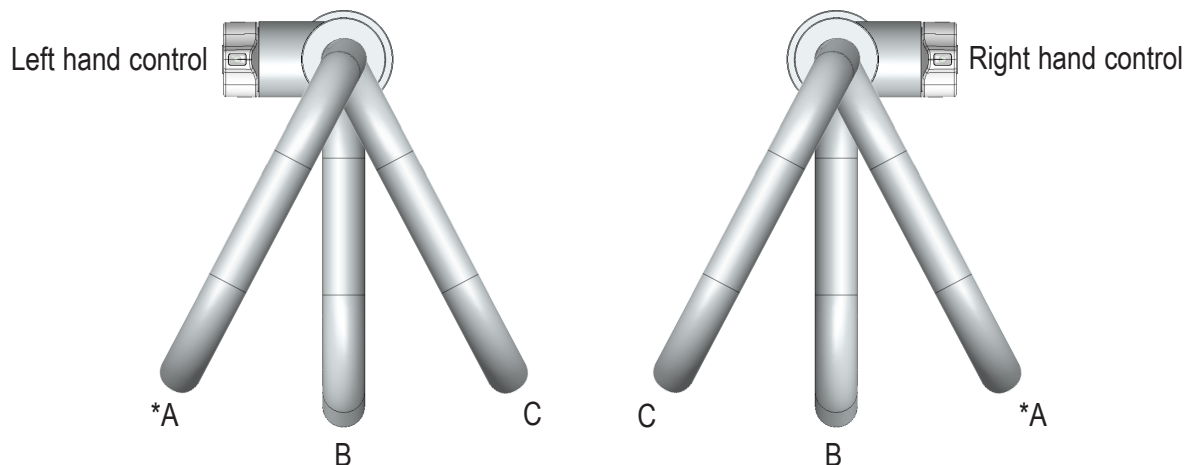


Arc & Cube HydroTap® G4 installation

2.2 Height adjustment (fixed position options)

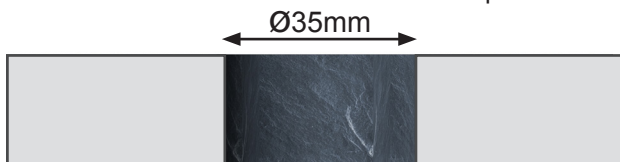


2.3 Angular adjustment (fixed position options)

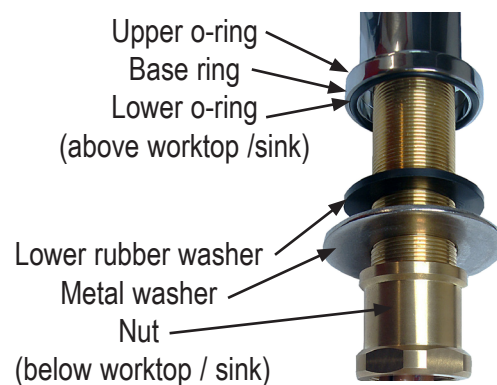


2.4 Mounting (See hole positioning, page 5)

Cut a $\text{\O}35\text{mm}$ hole in the worktop / sink.

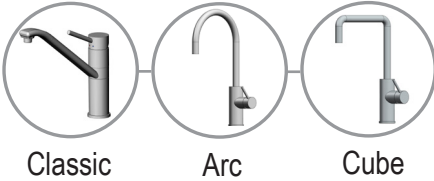


Note Make sure the tap location will allow the tap spout to drain into the sink.



Note Use the Tube kit fitting instructions supplied with the tap kit to connect the tap head assembly to the Command-Centre™.

mixer tap installation

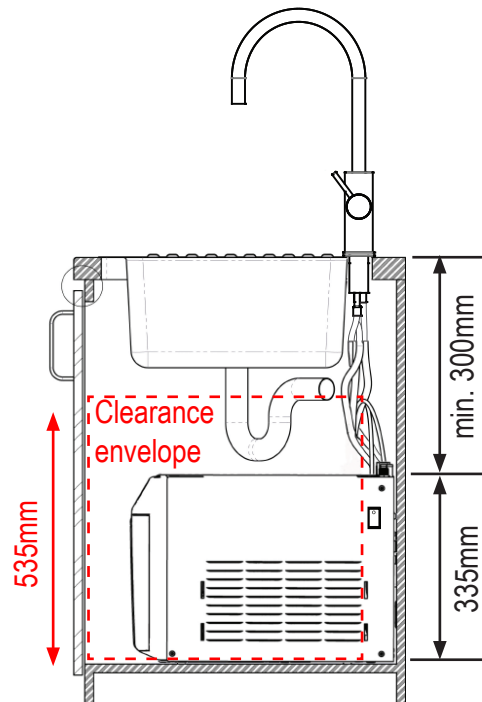
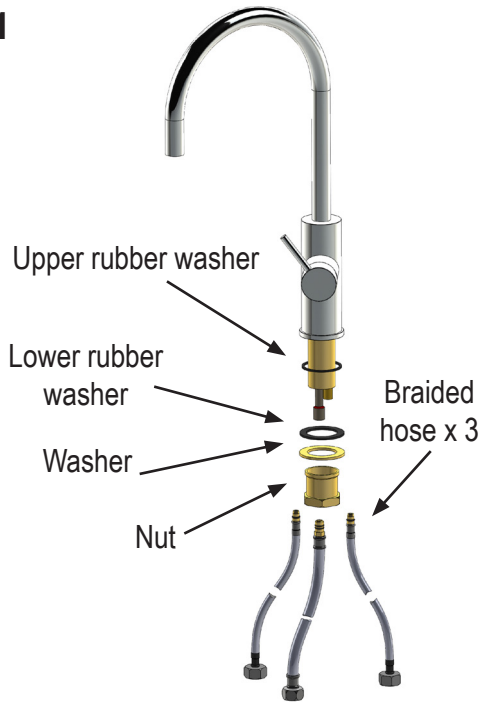


Classic

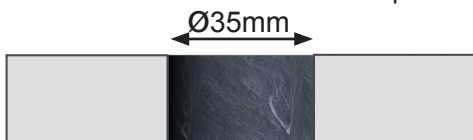
Arc

Cube

3.1



3.2 Cut a Ø35mm hole in the worktop / sink.

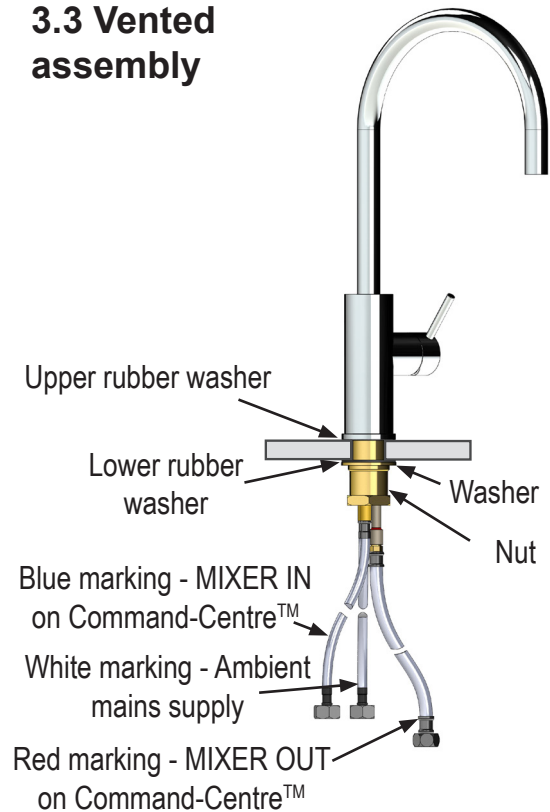


Note Make sure the tap location will allow the tap spout to drain into the sink.

Note The mixer tap requires a flow restrictor, supplied, to be fitted in the cold water supply line, from the isolation valve T-piece, to the mixer tap. (See the Command Centre Installation section of the Installation instructions for typical undersink arrangements).

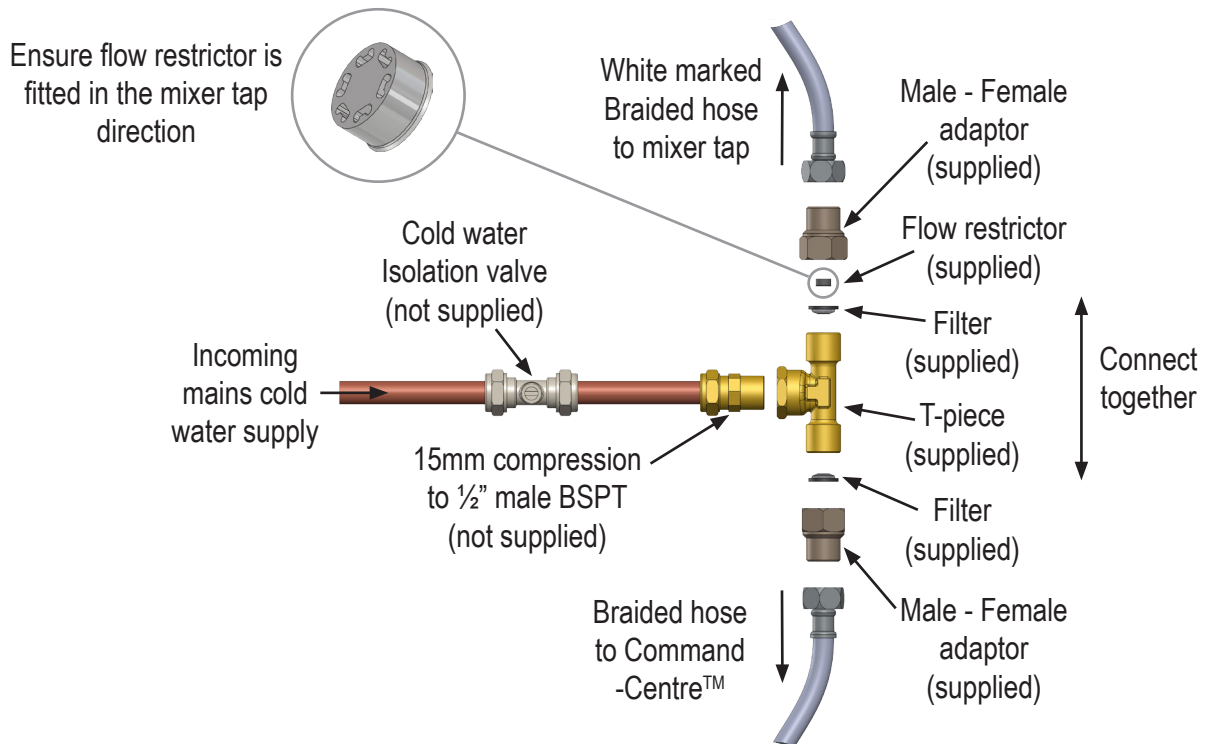
- Slide upper rubber washer in place.
- Mount tap in position on Ø35mm hole.
- Slide lower rubber washer, metal washer then tap nut over thread extension, then tighten the tap nut to secure in place, do not over tighten.
- Attach the braided hoses (ensure the seals on the end of the hoses are lubricated), do not over tighten.

3.3 Vented assembly

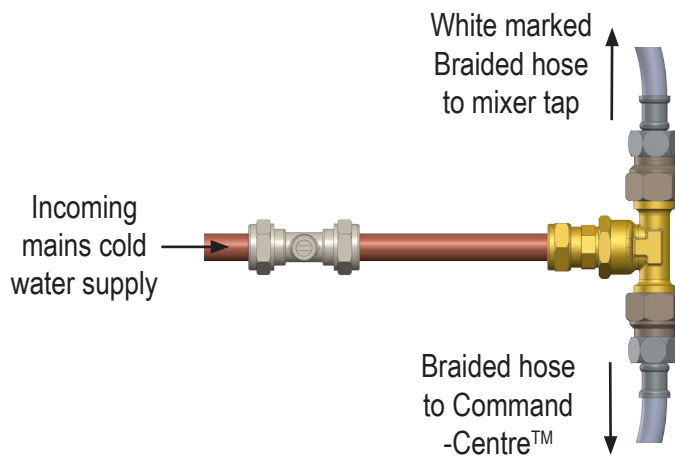


Mixer tap installation

3.4 Vented water connections detail, disassembled



3.5 Water connections detail, assembled

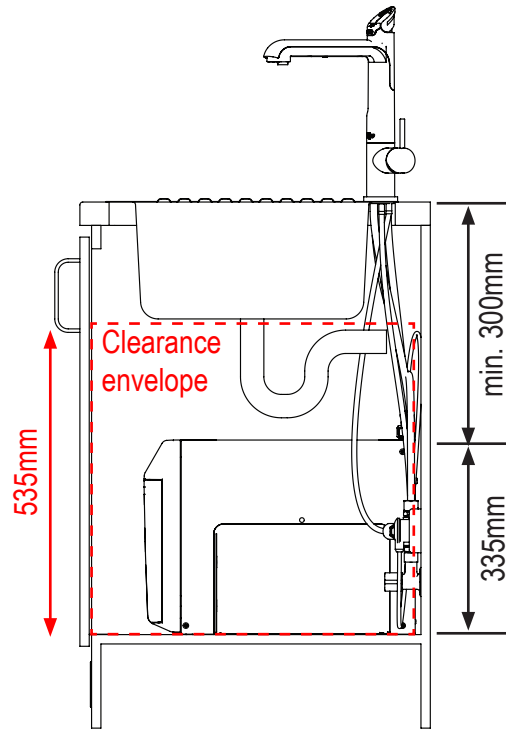
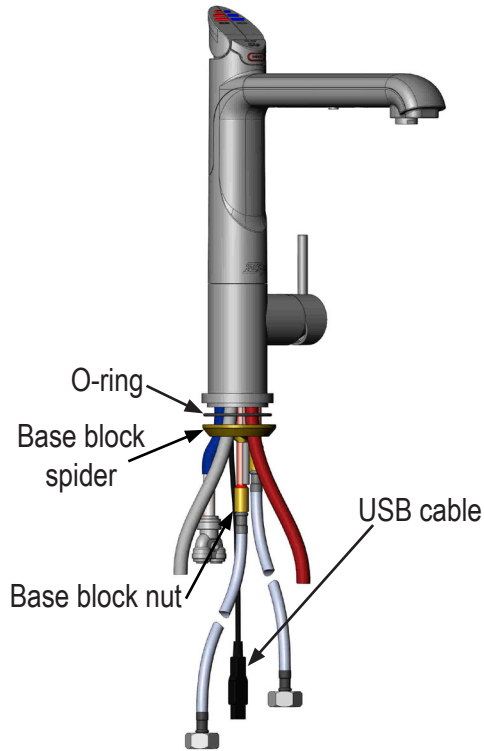


All-in-One 'Mains' tap installation



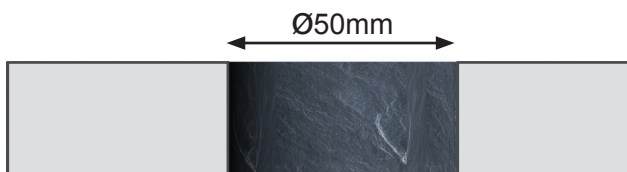
All-in-One

4.1



4.2

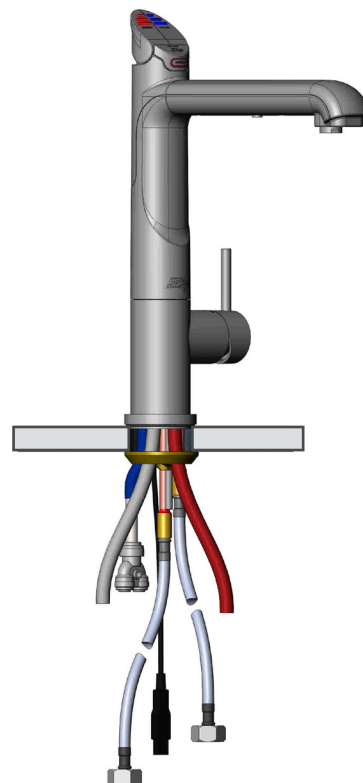
Cut a $\text{Ø}50\text{mm}$ hole in the worktop / sink.



Note Make sure the tap location will allow the tap spout to drain into the sink.

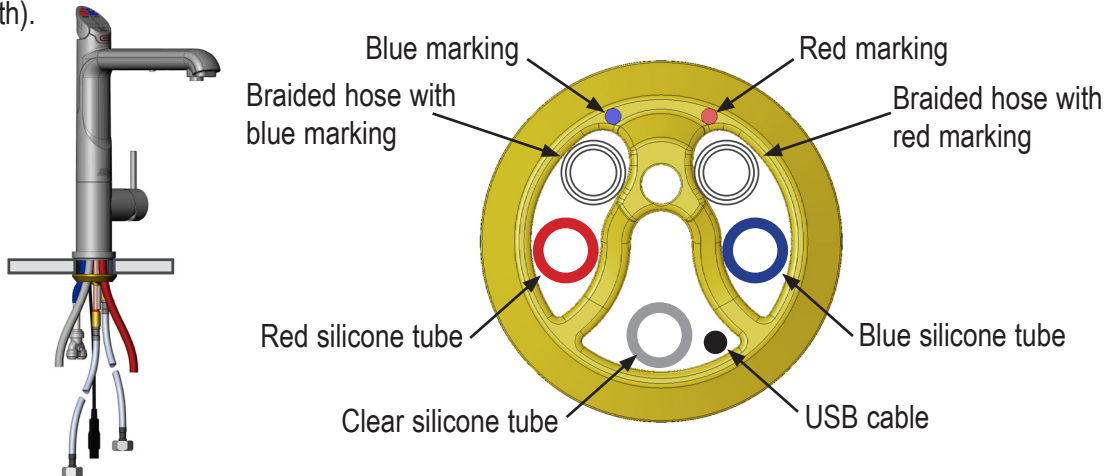
Note All silicon tubes must be cut to size. They must have a constant fall back to the Command-Centre™.

- Fit the o-ring to the underside of the AIO tap then pass tubes and cable through the $\text{Ø}50\text{mm}$ hole.
- Feed each of the tubes and USB cable evenly in between the legs of the base block spider.
- Fit the base block spider to the underside of the All-in-One tap.
- Clamp in position using the base block nut.



All-in-One 'Mains' tap installation

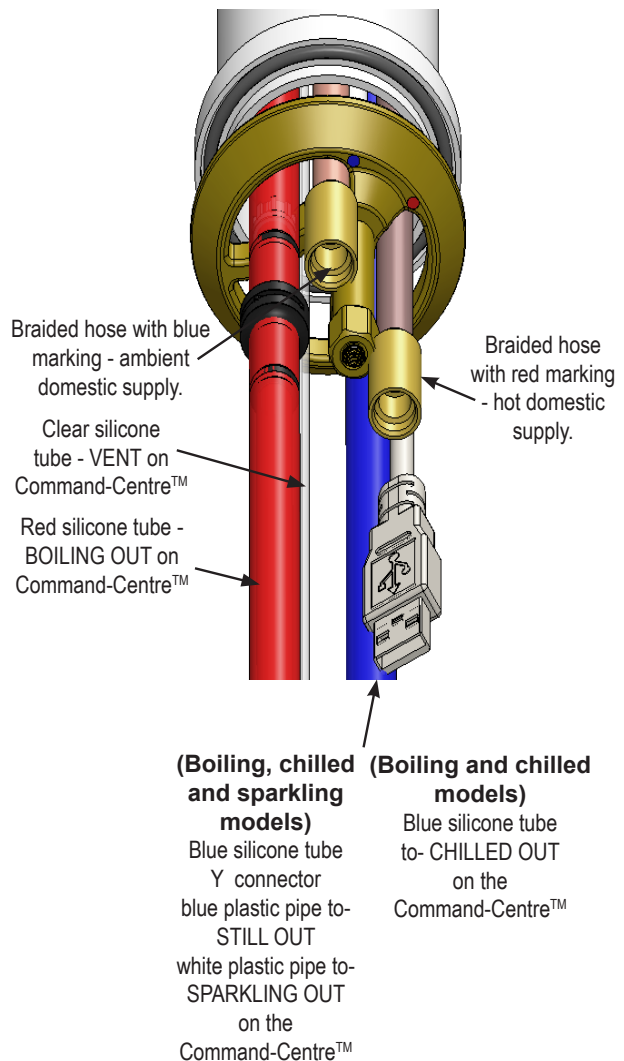
4.3 Base block spider markings and silicone tube positions (viewed from underneath).



Installing the All-in-One 'Mains' tap

4.4 All-in-One 'Mains' connections

- Connect the red and clear silicone tubes & USB cable to the Command-Centre™ as shown.
- (Boiling, chilled and sparkling models). Connect the blue and white plastic pipe (supplied) to the Y connector in place on the end of the blue silicone tube, then connect to the Command-Centre™ as shown.
- (Boiling and chilled models). Connect the blue silicone tube to the Command-Centre™ as shown.
- Working from inside the cupboard, attach the braided hoses to the tube extensions (ensure the seals on the end of the hoses are lubricated). Check the correct position for hot and ambient connections by matching the colours on the braided hoses with the coloured markings on the copper extension tubes. (See adjacent diagram).
- The braided hose with the blue markings must be connected to the ambient mains supply.
- The braided hose with the red markings must be connected to the hot mains supply.
- Do not over tighten the braided hoses.
- Ensure that all tubes and hoses are firmly secured.

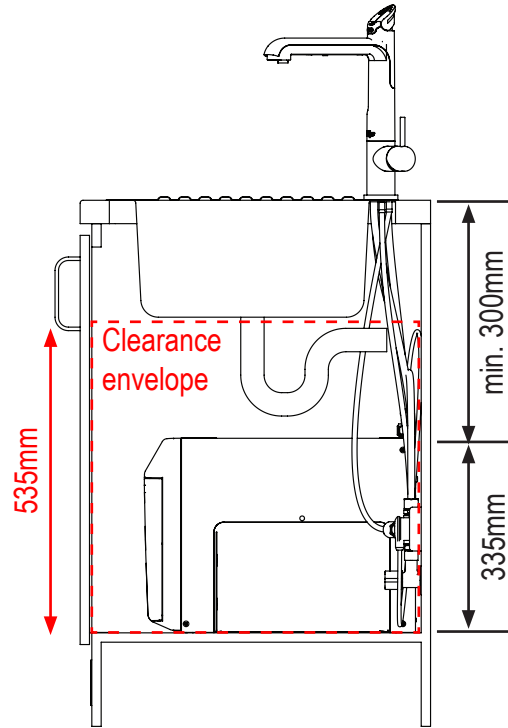
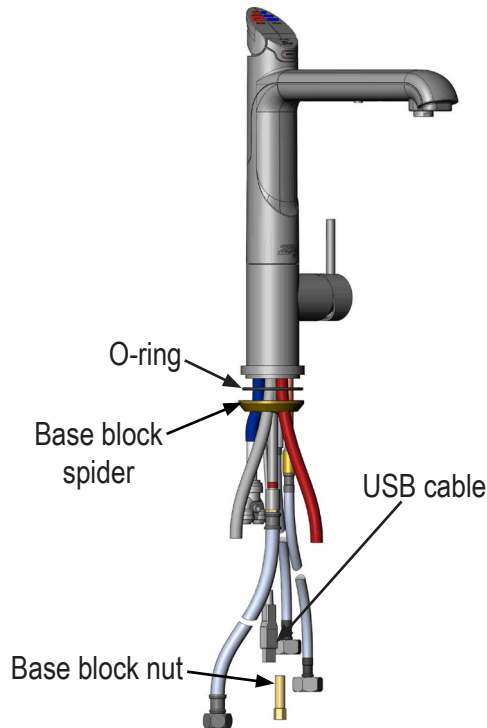


All-in-One 'Vented' tap installation



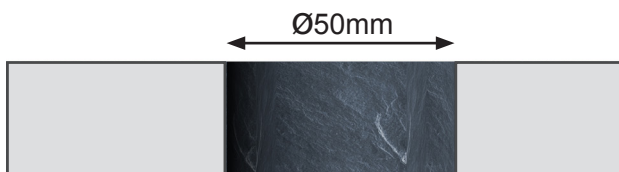
All-in-One

5.1



5.2

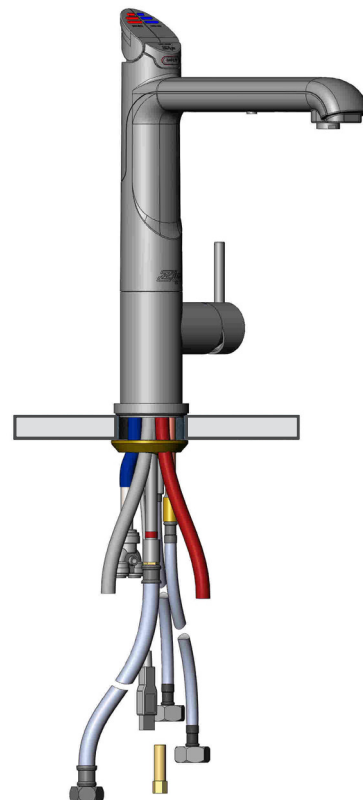
Cut a $\text{\O}50\text{mm}$ hole in the worktop / sink.



Note Make sure the tap location will allow the tap spout to drain into the sink.

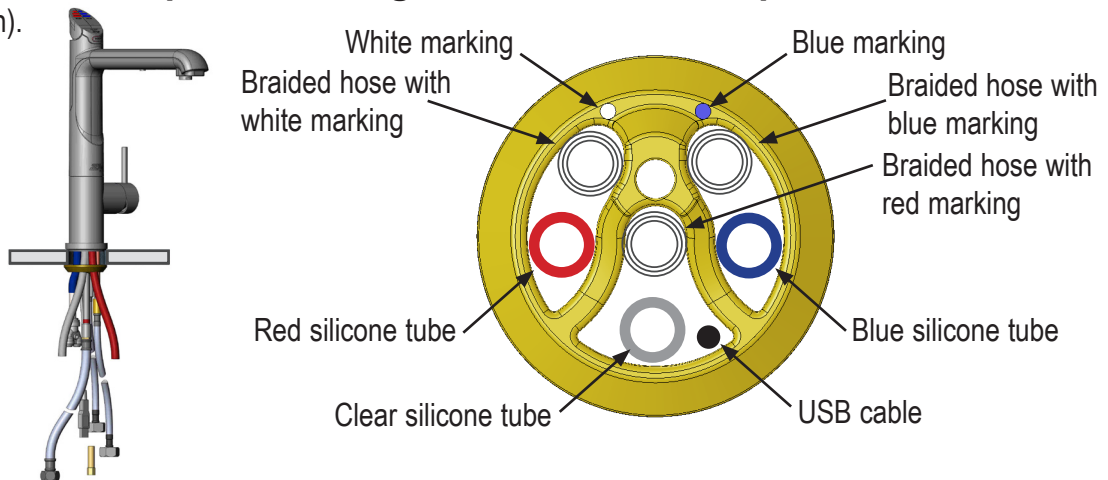
Note All silicon tubes must be cut to size. They must have a constant fall back to the Command-Centre™.

- Fit the o-ring to the underside of the AIO tap then pass tubes, hoses and cable through the $\text{\O}50\text{mm}$ hole.
- Feed each of the tubes and electrical cable evenly in between the legs of the base block spider.
- Fit the base block spider to the underside of the All-in-One tap.
- Clamp in position using the base block nut.



All-in-One 'Vented' tap installation

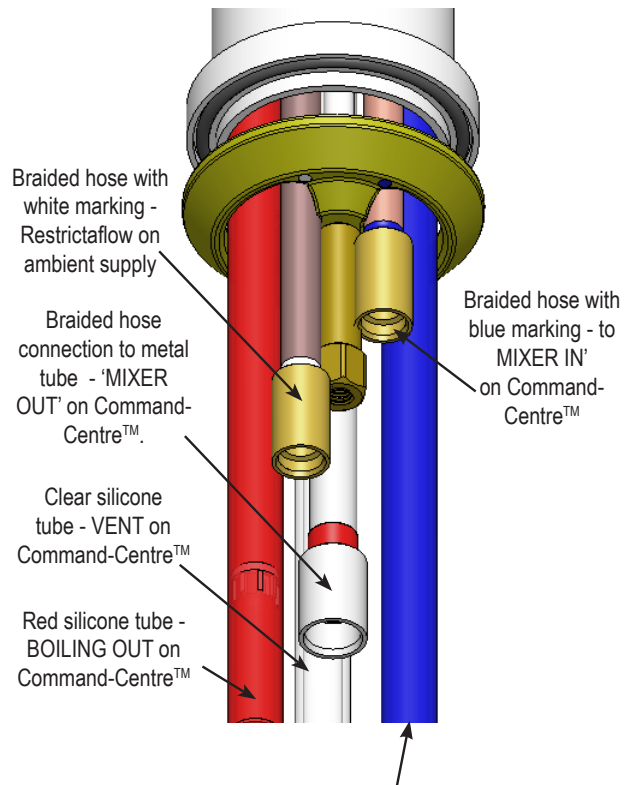
5.3 Base block spider markings and silicone tube positions (viewed from underneath).



Installing the All-in-One 'Vented' tap

5.4 All-in-One 'Vented' connections

- Connect the red and clear silicone tubes & USB cable to the Command-Centre™ as shown.
- (Boiling, chilled and sparkling models). Connect the blue and white plastic pipe (supplied) to the Y connector in place on the end of the blue silicone tube, then connect to the Command-Centre™ as shown.
- (Boiling and chilled models). Connect the blue silicone tube to the Command-Centre™ as shown.
- Working from inside the cupboard, attach the braided hoses to the tube extensions (ensure the seals on the end of the hoses are lubricated). Check the correct position for mixer and ambient connections by matching the colours on the braided hoses with the coloured markings on the extension tubes. (See adjacent diagram).
- Connect the braided hose with the blue marking to the 'MIXER IN' on the Command-Centre™.
- Connect the braided hose with the white marking to the Restrictaflow.*
- Connect the braided hose with the red marking to the metal tube, with red marking then to the 'MIXER OUT' on the Command-Centre™.
- Ensure that all tubes and hoses are firmly secured.



(Boiling, chilled and sparkling models) **(Boiling and chilled models)**

Blue silicone tube
Y connector
blue plastic pipe to-
STILL OUT
white plastic pipe to-
SPARKLING OUT
on the
Command-Centre™

Blue silicone tube
to- CHILLED OUT
on the
Command-Centre™

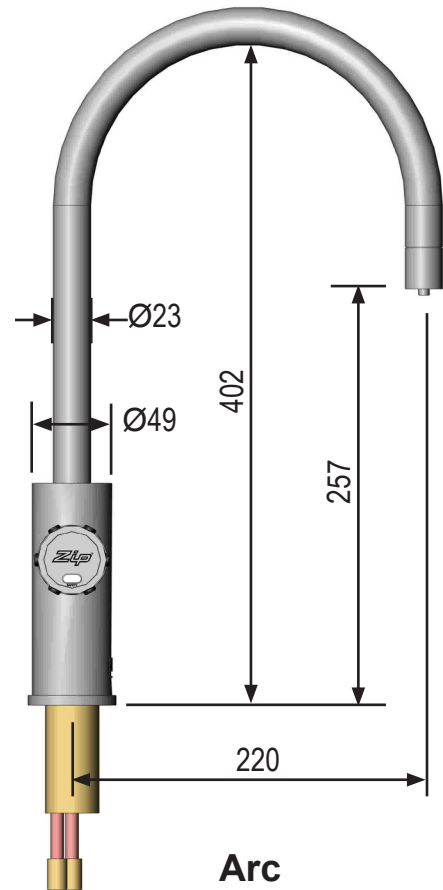
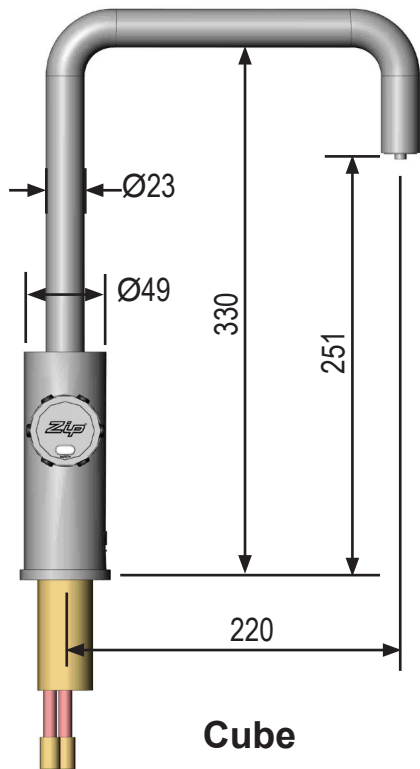
Note* The All-in-One vented taps require a Restrictaflow valve and T-piece, as supplied, to be fitted in the cold water supply line, from the isolation valve (not supplied), to the mixer tap.

Celsius tap installation



Celsius

6.1 Dimensions



6.2 Celsius connections (refer to sections the 6.3 & 6.4)

- Slide upper rubber washer in place on underside of tap.
- Mount tap in position on Ø35mm hole.
- Slide lower rubber washer, metal washer then tap nut over thread extension, then tighten the tap nut to secure in place, do not over tighten.
- Match the colour markings on the braided hoses to those of the copper extension tubes. Attach the braided hoses (ensure the seals on the end of the hoses are lubricated), do not over tighten.
- Attach the braided hoses to the mains hot and ambient supply.
- Attach the USB connector to the corresponding connector from the Command-Centre™.

Boiling models

- Attach the red silicone tube to the BOILING OUT on the Command-Centre™.
- Attach the clear vent tube to the vent outlet on the Command-Centre™.

Chilled models

- Attach the blue silicone tube to CHILLED OUT on the Command-Centre™.

Chilled sparkling models

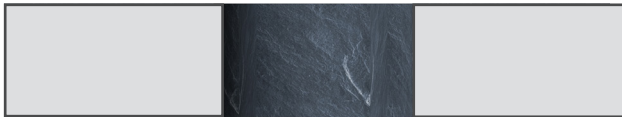
- Attach the blue plastic pipe (supplied) to the Y-connector (on the end of the blue silicone tube from the Celsius tap), then attach to SPARKLING OUT on the Command-Centre™.
- Attach the white plastic pipe (supplied) to the Y-connector (on the end of the blue silicone tube from the Celsius tap), then attach to STILL OUT on the Command-Centre™.

Celsius tap installation

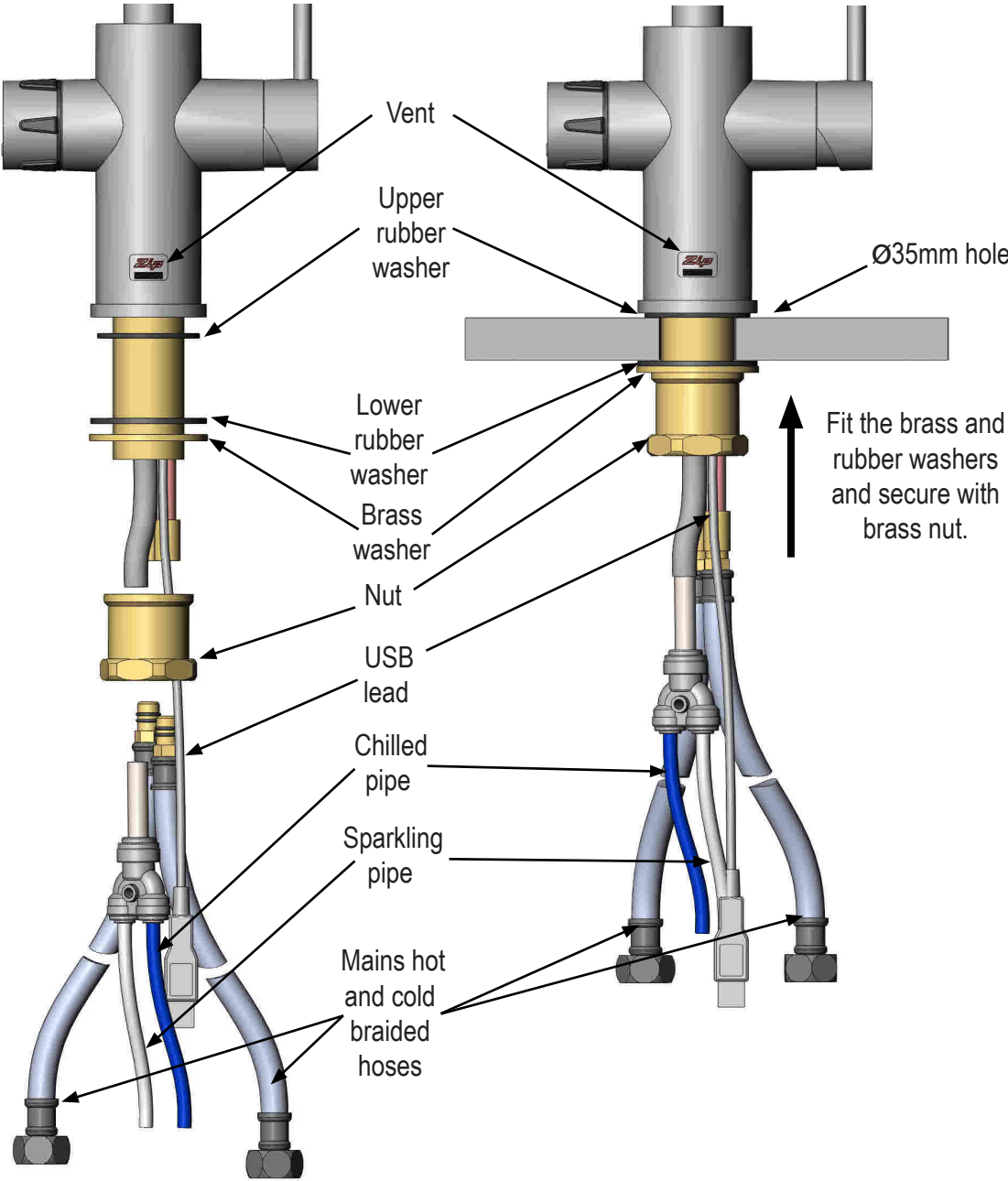
6.3 Chilled and sparkling + mixed hot & cold tap installation

Celsius taps require a Ø35mm hole.

Ø35mm



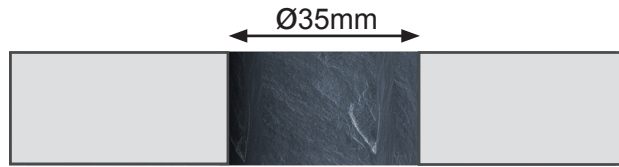
Note Make sure the tap location will allow the tap spout to drain into the sink.



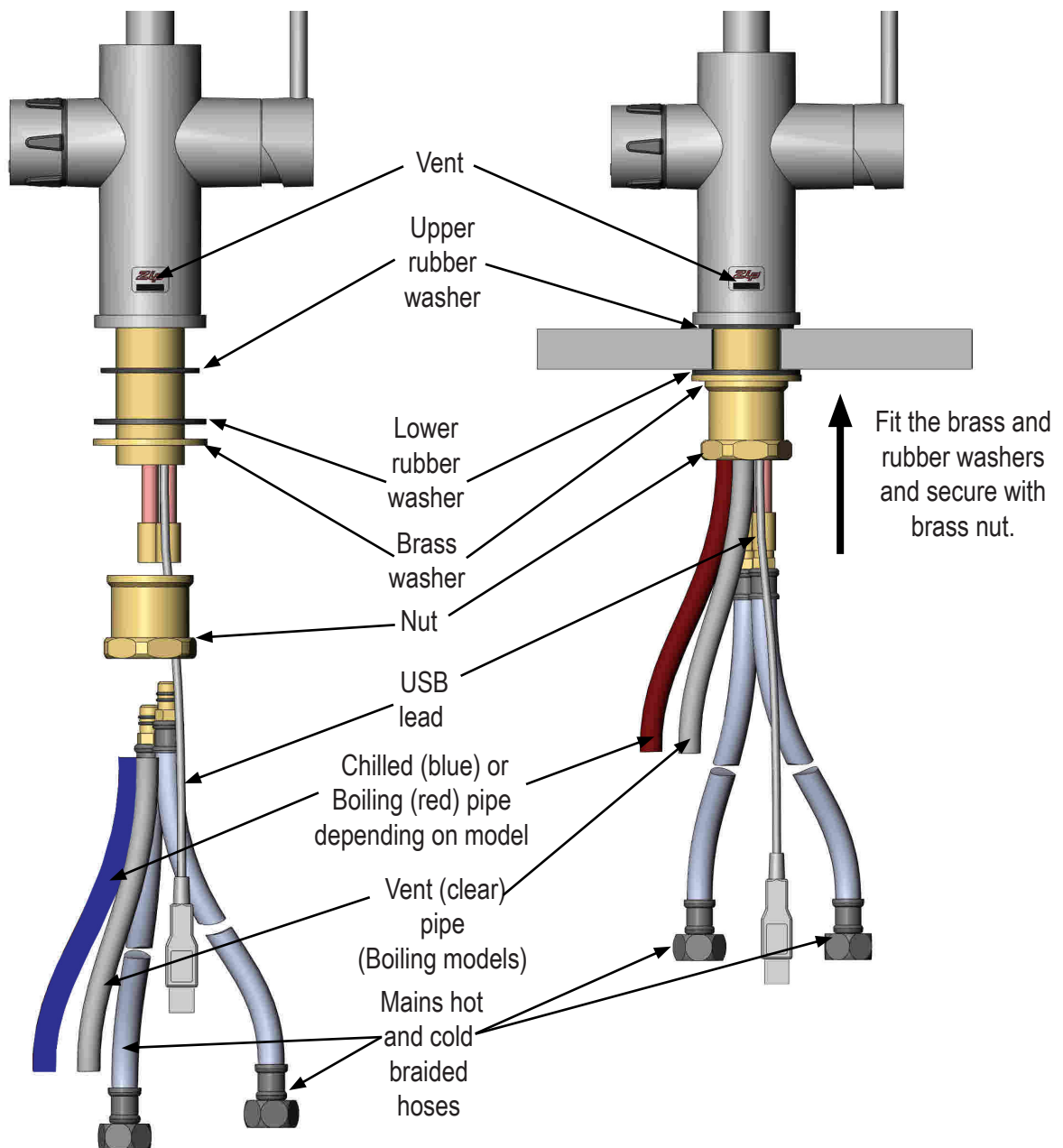
Celsius tap installation

6.4 Boiling + mixed hot & cold tap installation Chilled + mixed hot & cold tap installation

Celsius taps require a $\text{Ø}35\text{mm}$ hole.



Note Make sure the tap location will allow the tap spout to drain into the sink.



End of life disposal



The use of this crossed out wheeled bin logo indicates that electrical and electronic products needs to be disposed of separately to any other household waste.

Within each of the European Union member countries, provisions have been made for collection and recycling of unwanted electrical and electronic equipment. In order to help preserve our environment we ask that you dispose of this product correctly. Please contact Zip Customer Service on 0345 6 005 005 for advice.

Warranty

Refer to the instructions supplied with the Command-Centre™ for warranty information.

Contact details

Head office

Zip Water UK
14 Bertie Ward Way
Dereham
Norfolk
NR19 1TE

Website: www.zipwater.com/uk
Email: sales@zipindustries.co.uk
Facsimile: 01362 692 448
Telephone: 0345 6 005 005



The standard cup referred to in this publication is 167 ml (6 fl oz).

The standard glass is 200 ml (7 fl oz).

The terms "Zip" and "HydroTap" are registered trade marks of Zip Heaters (Aust) Pty Ltd.

Zip products described in this publication are manufactured under one or more of the following patents: AU675601, AU637412, AU635979, GB0422305, GB2065848, US4354049, US5103859, US5099825 and SA2006/08043. Other patents are in force and patent applications are pending.

