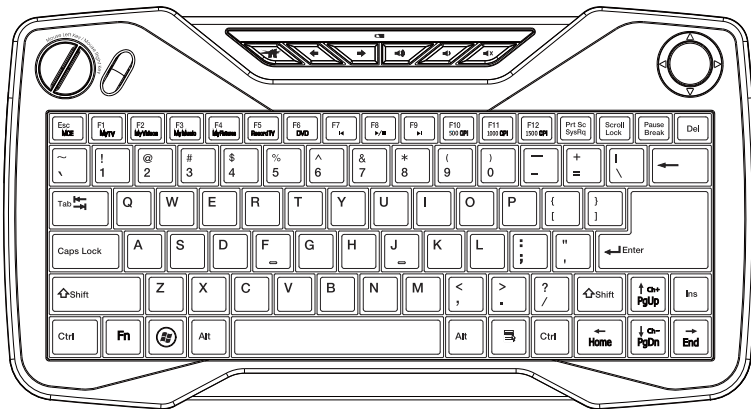


USER'S MANUAL

Wireless Trackball Keyboard Wireless Nano Receiver

Model No.: RF668 / RX19M



Introduction

Congratulations on your purchase of a high-quality product. Your RF-668 wireless keyboard represents the state of the art in wireless keyboard design and is designed for reliable and trouble-free performance.

Safety

Before getting started, read these instructions and save them for future reference.

- Do not drop or hit your keyboard.
- Do not use your keyboard in a location that is subject to strong vibrations because vibration may damage your keyboard.
- Do not disassemble or modify the product in any way. Disassembly or modification may void your warranty and could damage your keyboard leading to a fire or electric shock.
- Do not use or store your keyboard in damp locations. Liquid entering the product may cause damage or lead to fires or electric shock.
- Do not insert metal objects, such as coins or paper clips, into your keyboard.
- Your keyboard is for general device use. Do not use your keyboard with a device that requires exceptional reliability, especially if a breakdown or malfunction of might jeopardize life or health, such as aerospace equipment, atomic power control system, traffic-related equipment, transportation equipment, industrial robotics,

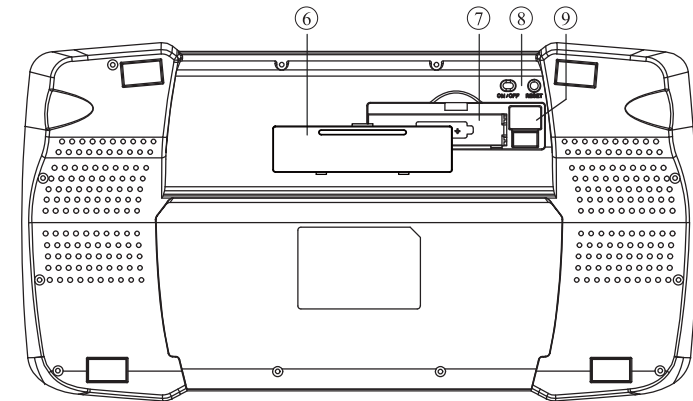
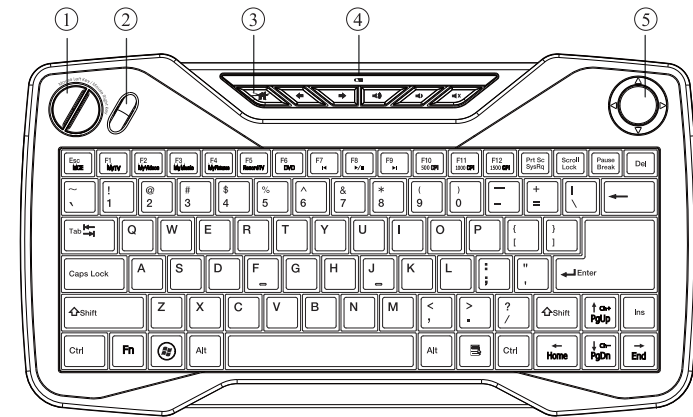
combustion equipment, safety devices, and life-support systems.

- Batteries may explode or leak if they are improperly recharged, inserted disposed of in fire, or mixed with used batteries or different battery types. There is a risk of explosion if a battery is replaced incorrectly.
- Dispose of used batteries according to local regulations.
- Keep the battery compartment cover and the batteries out of the reach of small children.

Features

- USB nano receiver is for plug-and-play setup easily and enhances mobility.
- Special hotkeys and function keys for MCE, web browse and trackball resolution selection.
- Embedded a LED indicator informs pairing and battery low status.
- Reliable wireless connection ranges up to 26 feet (8 meters).
- Patented Scissor-Key Structure provides 10 million service times, positive response and super quiet.
- Built-in optical trackball mouse, scroll wheel and mouse buttons function.
- Optical trackball resolution: 500, 1000, 1500 CPI.
- Stylish appearance with slip resistance design on bottom side.

Keyboard Components



1. Mouse Keys
2. Scroll Wheel
3. Hotkeys
4. LED Indicator (Battery Low and Pairing Status)
5. Trackball
6. Battery Cover
7. Battery Slot
8. Power Switch & Pairing Button
9. Receiver Storage
10. Nano Receiver

Package Contents

- RF 2.4Ghz Wireless Keyboard
- Nano Receiver
- AA Alkaline Batteries x2
- User's Manual

Operating System Support

- Windows XP
- Windows Vista (32-bit / 64-bit)
- Windows 7 (32-bit / 64-bit)

Specifications

Keyboard

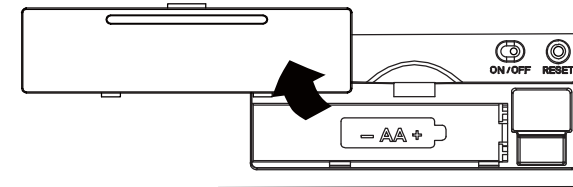
- Dimension: 333.0(L) x 178.0(W) x 29.0(H) mm
- Weight: 480 ± 20g (w/o battery)
- Radio Frequency: 2.4 Ghz
- Operating Distance: 8 Meters
- Key Number: 82 Keys (US)
- Battery: 2 x AA Alkaline Batteries
- Battery Life: 5 Months (base on average usage)

Receiver

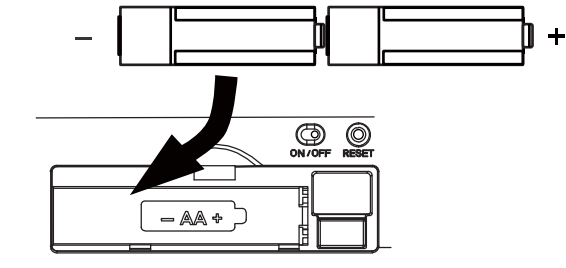
- Dimension: 19.2(L) x 12.0(W) x 2.4(H) mm
- Weight: 1.2 ± 0.5g
- Interface: USB 1.1

Installing Batteries

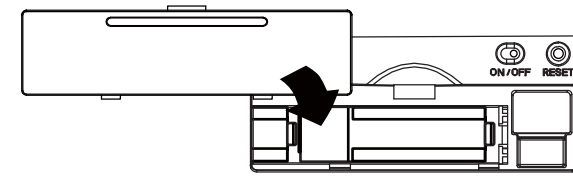
1. Open the battery cover.



2. Insert two AA alkaline batteries and make sure the batteries are installed properly.



3. Close the battery cover.



Installation Procedure

Before installing this product, please make sure you have one available USB port reserved for receiver.

A. Setting Up the Receiver

1. Plug the receiver into an available USB port.
2. Waiting for Windows to install drivers for the receiver and keyboard.

B. Setting Up the Keyboard

1. Turn on your keyboard by sliding the switch at bottom case.
2. Press the RESET button of the keyboard.
3. Try moving the keyboard closer to the receiver.
4. After few seconds, your keyboard is ready for use.

Media Center Function Keys

There are some function keys in this keyboard. To use these function keys, please hold “Fn” and then press the function key (the keys with blue letters).

- Fn** + **MCE** : Launch Windows Media Center
- Fn** + **MyTV** : Launch My TV
- Fn** + **MyVideos** : Launch My Videos
- Fn** + **MyMusic** : Launch My Music
- Fn** + **MyPictures** : Launch My Pictures
- Fn** + **RecordTV** : Record TV
- Fn** + **DVD** : Play DVD in Windows Media Center
- Fn** + **⏮** : Last Track
- Fn** + **▶/⏸** : Play/ Pause
- Fn** + **▶** : Next Track
- Fn** + **500 CPI** : Change Trackball Resolution to 500 CPI
- Fn** + **1000 CPI** : Change Trackball Resolution to 1000 CPI
- Fn** + **1500 CPI** : Change Trackball Resolution to 1500 CPI
- Fn** + **Ch+** : Channel Up
- Fn** + **Ch-** : Channel Down

Media Shortcut Keys

- 🏠** : Default Homepage
- ⬅** : Previous Page
- ➡** : Next Page
- 🔊** : Volume Up
- 🔇** : Volume Down
- 🔇x** : Mute

Troubleshooting

- Make sure that you have paired your keyboard with your device. For more information, see “Installation Procedure” on page 6.
- Make sure that your operating system is compatible with your keyboard. For more information, see “Operating System Support” on page 4.
- Make sure that the anode(+) and cathode(–) symbols on the batteries match the anode(+) and cathode(–) symbols in the battery compartment.

Battery Low

- Low-battery is indicated by illumination on the top case of keyboard. Please replace the batteries when the indicator lights up.
- We recommend using alkaline batteries for the keyboard.
- You may need to reset the connection after replacing new batteries for the keyboard.
- Do not mix old and new batteries, or mix different types of batteries. This can cause rupture or leakage, resulting in personal injury or property damage.

This equipment has been tested and found to comply with the limits for a Class B digital device, pursuant to part 15 of the FCC rules. These limits are designed to provide reasonable protection against harmful interference in a residential installation. This equipment generates, uses and can radiate radio frequency energy and, if not installed and used in accordance with the instructions, may cause harmful interference to radio communications. However, there is no guarantee that interference will not occur in a particular installation. If this equipment does cause harmful interference to radio or television reception, which can be determined by turning the equipment off and on, the user is encouraged to try to correct the interference by one or more of the following measures:

- Reorient or relocate the receiving antenna.
- Increase the separation between the equipment and receiver.
- Connect the equipment into an outlet on a circuit different from that to which the receiver is connected.
- Consult the dealer or an experienced radio/TV technician for help.

You are cautioned that changes or modifications not expressly approved by the party responsible for compliance could void your authority to operate the equipment.

This device complies with Part 15 of the FCC Rules. Operation is subject to the following two conditions:

- (1) this device may not cause harmful interference and
- (2) this device must accept any interference received, including interference that may cause undesired operation