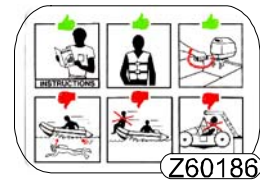
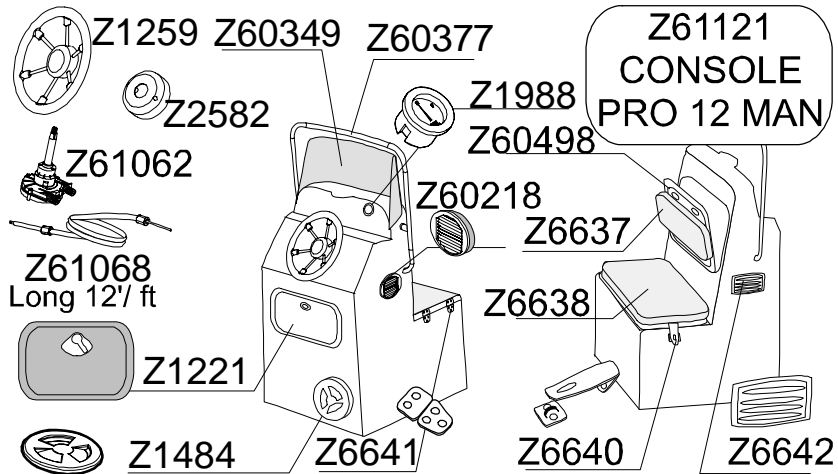
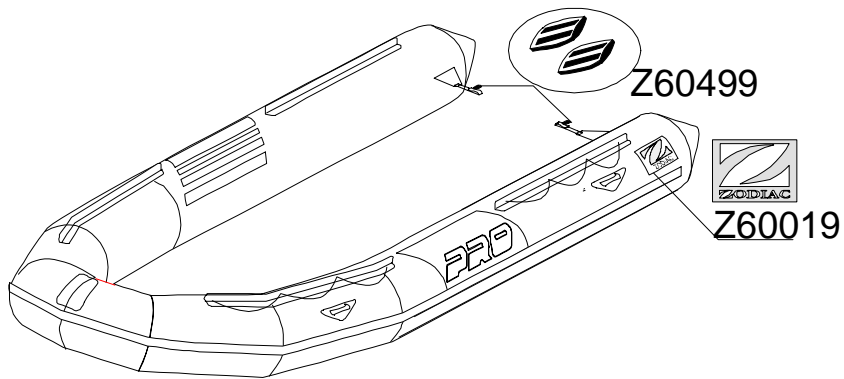
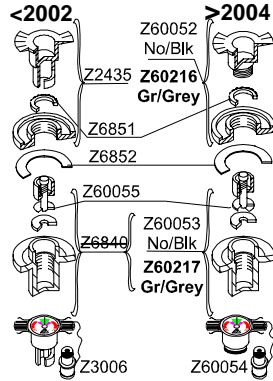
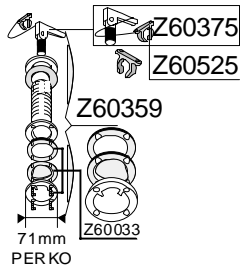




ZODIAC

GDB 09/05

105521 – PIECES DETACHEES/SPARE PARTS – PRO 12MAN(14254-55)

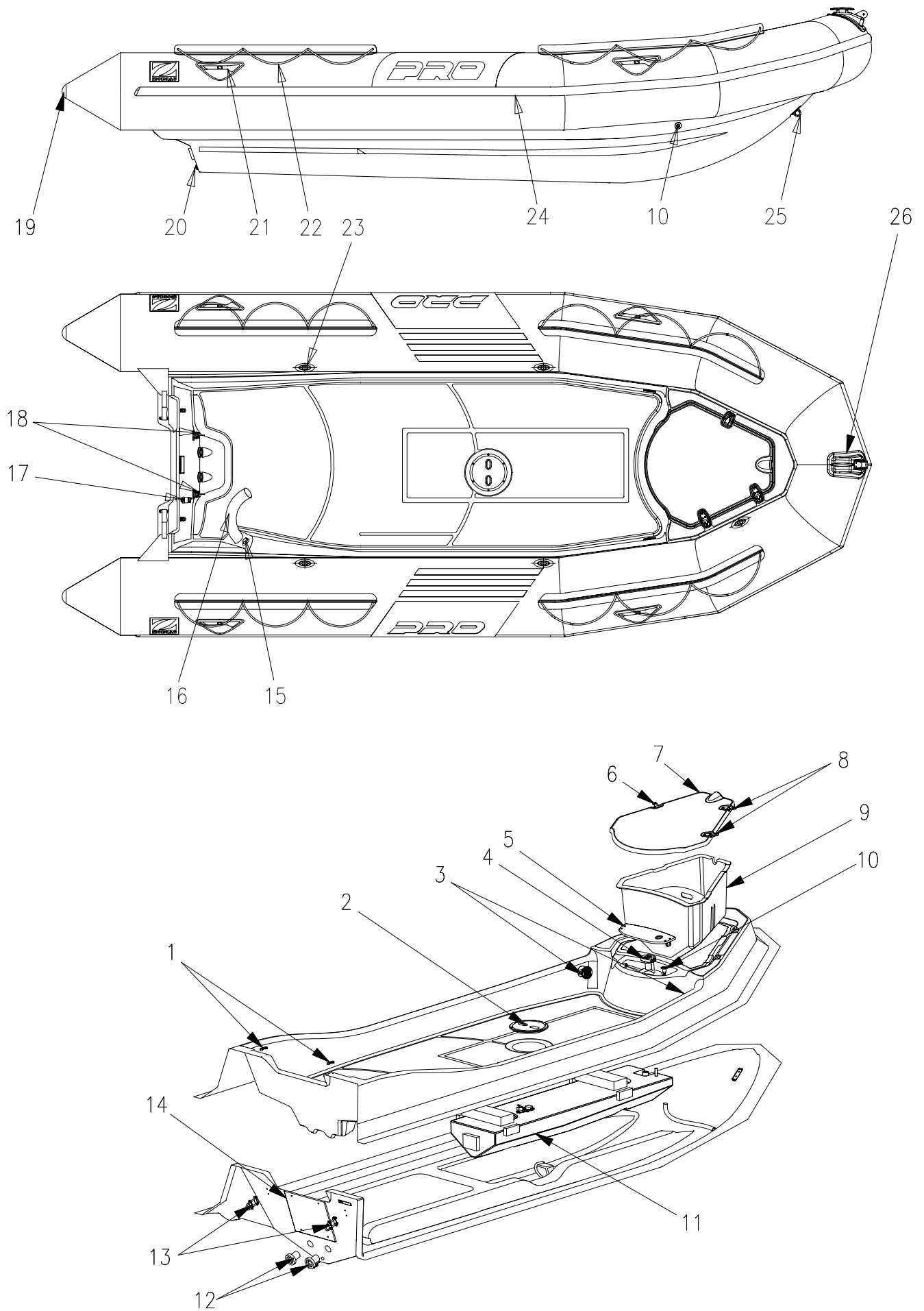


CAUTION /STICKER
RECOMANDATION
Z60440 F-GB (6)
Z60441 IT-ES-D (6)

N° 105521

ECLATE PIECES DETACHEES PRO 12 MAN

Code article: Z14238



PRO 12 MAN Z14254/55 09 / 2005				
Rep.	Code-PTN°	Qte/Bat	Description FR	Description GB
EQUIPEMENT COQUE/HULL EQUIPMENT				
1	Z60443	4	PONTET DE SANGLE (2)	PLASTIC LOOP (2) F/STRAP
2	Z60267	1	TRAPPE PONT MED3	INSPECTION DECK LID MED3
3	Z60218	2	GRILLE DE VENTILATION D 70MM	VENT GRILL D70MM
4	Z2426	1	BOUCHON REMPLISS.ESSENCE	GAS FILLER CAP
5	Z60505	1	CAPOT REMPLISS.ESSENCE PRO 12M	FUEL FILLER LID-PRO 12 MAN
5	Z60232	2	LOQUET PLASTIQUE NOIR (2)	TIE DOWN PLASTIC LID (2)
6	Z60444	1	FERMOIR COFFRE (1) INOX	FERMOIR COFFRE (1) INOX
7	Z60506	1	CAPOT PRO 12 MAN	BOW LOCKER LID PRO 12 MAN
8	Z60549	2	CHARNIERE 97X32X2 INOX (2)	HINGE PRO 12 LID SS 97X32 (2)
9	Z60507	1	BAILLE A MOULAGE+CLOISON P12M	BOW LOCKER+BULKHEAD PRO 12M
10	Z60231	1	PASSE COQUE ASSECHEM GOBELET	BUNG WATER FLOW EXHAUST
11	Z60508	1	RESERVOIR P12M/REPLAC.KIT	FUEL TANK REPAIR SET PRO12MAN
11	Z60570		JAUGE ESS.PRO 12 MAN	FUEL SENDER PRO 12 MAN
12	Z60359	1	VIDE VITE GROS DEBIT RIB 03	HIGH VOLUME WATER DRAIN 03
12	Z60033	1	MENBRANE+BAGUE V/VITE GR DEBIT	MEMBRANE + RING SELF BAILER GR
13	Z1436	2	CADENE 8X120 (2) 97	U-TYPE TIE DOWN (2)
14	Z60221	1	PLAQUE BLANC 440-480-600	TRANSOM PAD.WHITE 440-480-600
15	Z60194	1	SOUFFLET PASSE CABLE D74	SHIFT CABLE BELLOW DIAM.75
16	Z60510	2	PROTECTION SORTIE CABLE GM	PROTECTION HOSE F/CABLE LM
17	Z60185	1	FILTRE SEPARATEUR HP<100	FUEL FILTER HP<100
17	Z60182	1	FILTRE DE RECHANGE HP<100	CARTRIDGE FUEL FILTER HP<100
18	Z60375	1	BOUCHON VIDE VITE S.RIGIDE	RIB SELF BAILER CAP/LEVER TYPE
18	Z60525	1	SUPPORT BOUCHON VV SR 03	TIE DOWN SELF BAILER CAP SR 03
20	Z2154	1	NABLE A VIS NO. MANCHON (1)KIT	DRAIN PLUG BLK SCREWED SET(1)
25	Z60533	1	CADENE ETANCHE 8X80 NOIR (1)	U-TYPE ATTACHMENT 8X80 BLK(1)
25	Z6740	1	ECROU A OEIL D 8 INO (10)	EYE BOLT D8 SS (10)
26	Z60038	1	DAVIER BLC + REA A/TAQUET KIT	ANCHOR ROPE GUIDE WHITE SET
EQUIPEMENT FLOTTEUR /SKIN EQUIPMENT				
	Z16013	1	FLT. PRO 12 MAN GRIS	TUBE SET PRO 12 MAN GREY
	Z7084	PM	T/STG GRIS ZODIAC (PM)	STRONGAN GREY REPAIR FAB.(PM)
	Z16014	1	FLT. PRO 12 MAN RGE	TUBE SET PRO 12 MAN RED
	Z7131	PM	T/CRPS BAT 1100 SSTG ROUGE	STRONGAN RED REPAIR FAB.(PM)
	Z60499	2	BOUCLE PLAST.NOIR/FIX.FLOT(2)	BUCKLE BLK PLAST.FIXING TUBE 2
19	Z2796	2	CONE MOULE NOIR (1)	HARD END CONE BLACK (1)
21	Z2995	2	PG LAT TR G NOIRE	CARRY HANDLE BLACK-LEFT NM
21	Z2994	2	PG LAT TR D NOIRE	CARRY HANDLE BLACK-RIGHT NM
22	Z3289	1	CORDE PY D14 NOIRE 25M	BLCK CORD D14 L25M POLY.
23	Z60052	5	BOUCHON VIS VALVE ENC.NOIR(5)	CAP F/SCREW.RECES.VALVE BLK(5)
23	Z60053	5	CORPS VALVE ENCASTREE 2002 (5)	VALVE BODY RECESSED 02 (PK5)
23	Z6851	5	JT BOUCHON V.E. (25)	GASKET/CAP RECESSED VALVE (25)
23	Z6852	5	JT ECROU V.E.(10)	GASKET/SCREW RECES.VALVE (10)
23	Z60055	5	SUPPORT CLAP. VALVE ENC.02(10)	RECESSED VALVE INSERT 2002(10)
24	Z2763	1	DEF GR NO FIL.BC 13,3M	RUB.STRAKE BLK/WH. 13M3
	Z60019	2	LOGO "Z" 02 GM BLEU JAUNE (1)	LOGO "Z" 02 LARGE BLUE YELL(1)
	Z60727	2	LOGO PRO MAN BLACK SET	LOGO PRO MAN BLACK SET
EQUIPEMENTS STANDARD / STANDARD EQUIPMENT				
	Z2969	1	PAGAIE NOIRE TEL.1M20 (2)	TELESCOPIC PADDLE BLK 1M20 (2)
	Z6730	1	V/REP.BATEAUX STRONGAN	STRONGAN BOATS REPAIR KIT
	Z6731	1	PALETTE PIECES TISSU /REPAR.STG	FAB.PATCHES STG FOR REPAIR
	Z2020	1	GONFLEUR A PIED STANDARD	FOOT PUMP STANDARD
	Z60362	1	TUYAU JAUNE GONFLEUR/Z2020	BELLOWS HOSE F/Z2020
	Z60054	1	BOUCHON INDIC.PRESS.VIS VE 02	SCREW CAP PRESSURE GAUGE 02
	Z6854	1	RACCORD VALVE ENCAST_TUY/GONFL	COUPLING RECESSED VALVE
		1	MANUEL PROP	OWNER'S MANUAL