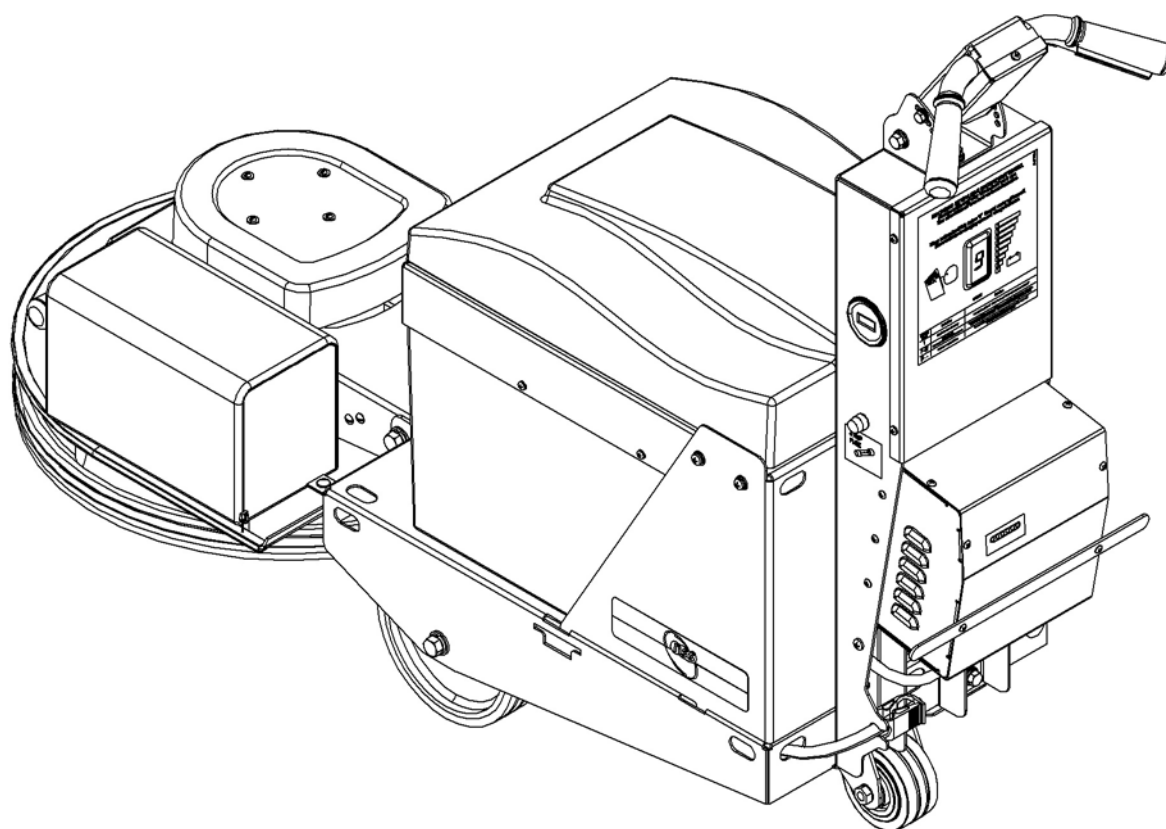


PARTS LIST

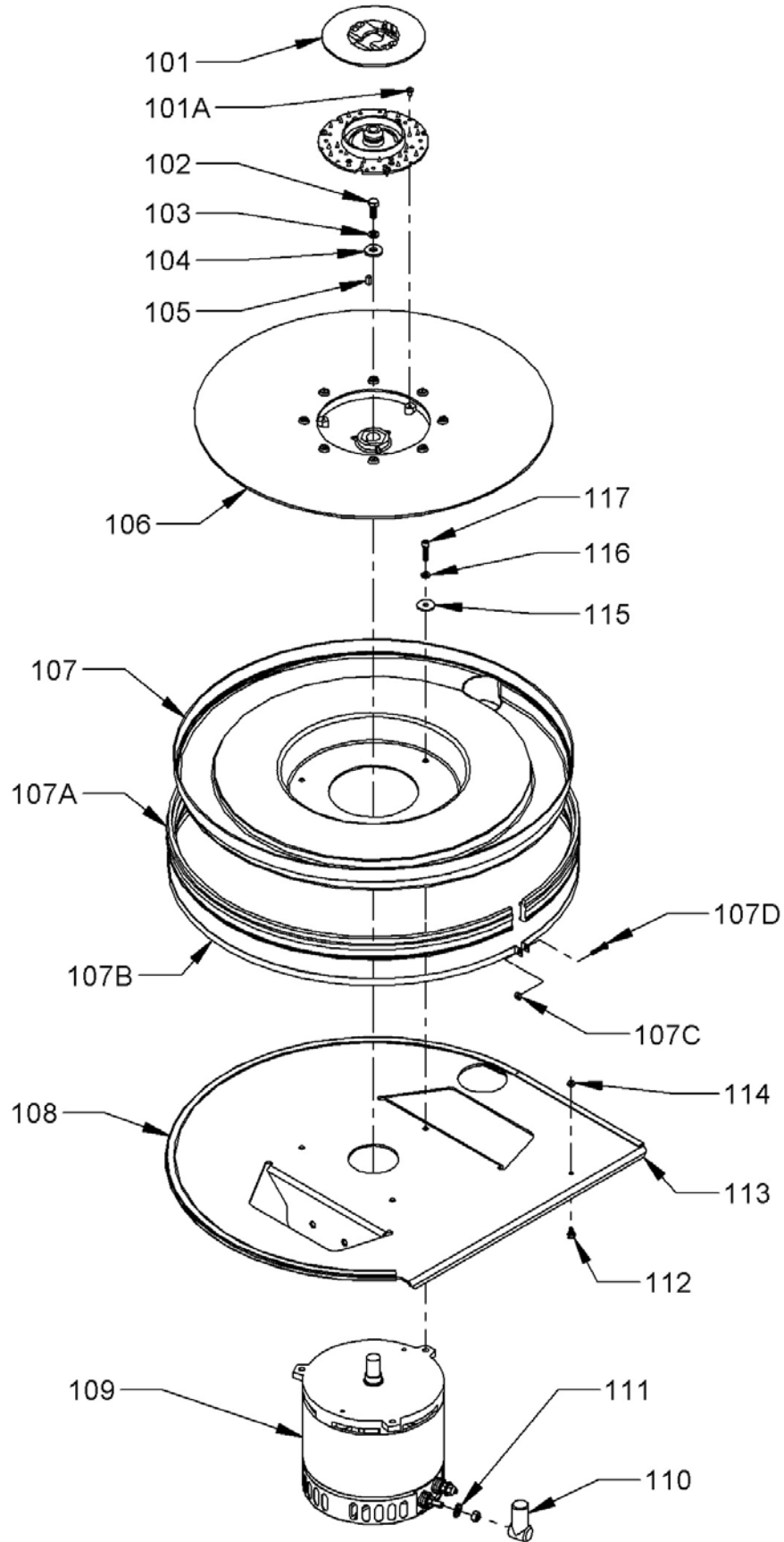
CHARGER 2022 ABLT



HEAD ASSEMBLY

<u>ITEM</u>	<u>PART NO.</u>	<u>DESCRIPTION</u>	<u>QTY</u>
101	5990731	SPRING CLIP PAD HOLDER SET - INCLUDES:	1
101A	9120205	#8 X 1/2 PAN HEAD PHILLIPS SHEET METAL SCREW - PACK OF 3	3
102	9121490	5/16-24 X 7/8 HEX BOLT - PACK OF 2	1
103	9121520	5/16 SPLIT LOCK WASHER - PACK OF 10	1
104	9121985	13/32 I.D. X 1 O.D. X .12 THICK FLAT WASHER 11 GAUGE - PACK OF 1	1
105	9120827	3/16 SQUARE X 1" LONG KEY - STEEL - PACK OF 2	1
106	6492581	20" PAD DRIVER	1
107	6497489	FLEXIWALL SHIELD ASSEMBLY - INCLUDES:	1
107A	6490191	BUMPER / BRUSH	1
107B	6490732	BUMPER STRAP	1
107C	9120350	#10-24 HEX NUT WITH NY-LOCK INSERT - PACK OF 10	1
107D	9120450	#10-24 X 1 ROUND HEAD PHILLIPS MACHINE SCREW - PACK OF 10	1
108	9997590	METAL CORE QUICKEDGE TRIM - CUT TO 55"	4.6
109	6497881	MOTOR 2HP, 24VOLT, 2500 RPM	1
110	7692421	TERMINAL BOOT (RED)	1
111	9121410	5/16 EXTERNAL STAR LOCK WASHER - PACK OF 10	2
112	6496881	STUD WITH #10-32 X 3/8, FILTER BAG	1
113	6497241	SKIRT / MOTOR MOUNT 20"	1
114	9120660	#10-32 X HEX NUT WITH NY-LOCK INSERT - PACK OF 10	1
115	9120950	1/4 X 1 1/4 FENDER WASHER - PACK OF 10	3
116	9120880	1/4 SPLIT LOCK WASHER - PACK OF 10	3
117	9120980	1/4-20 X 1 SOCKET HEAD CAP SCREW - PACK OF 5	3

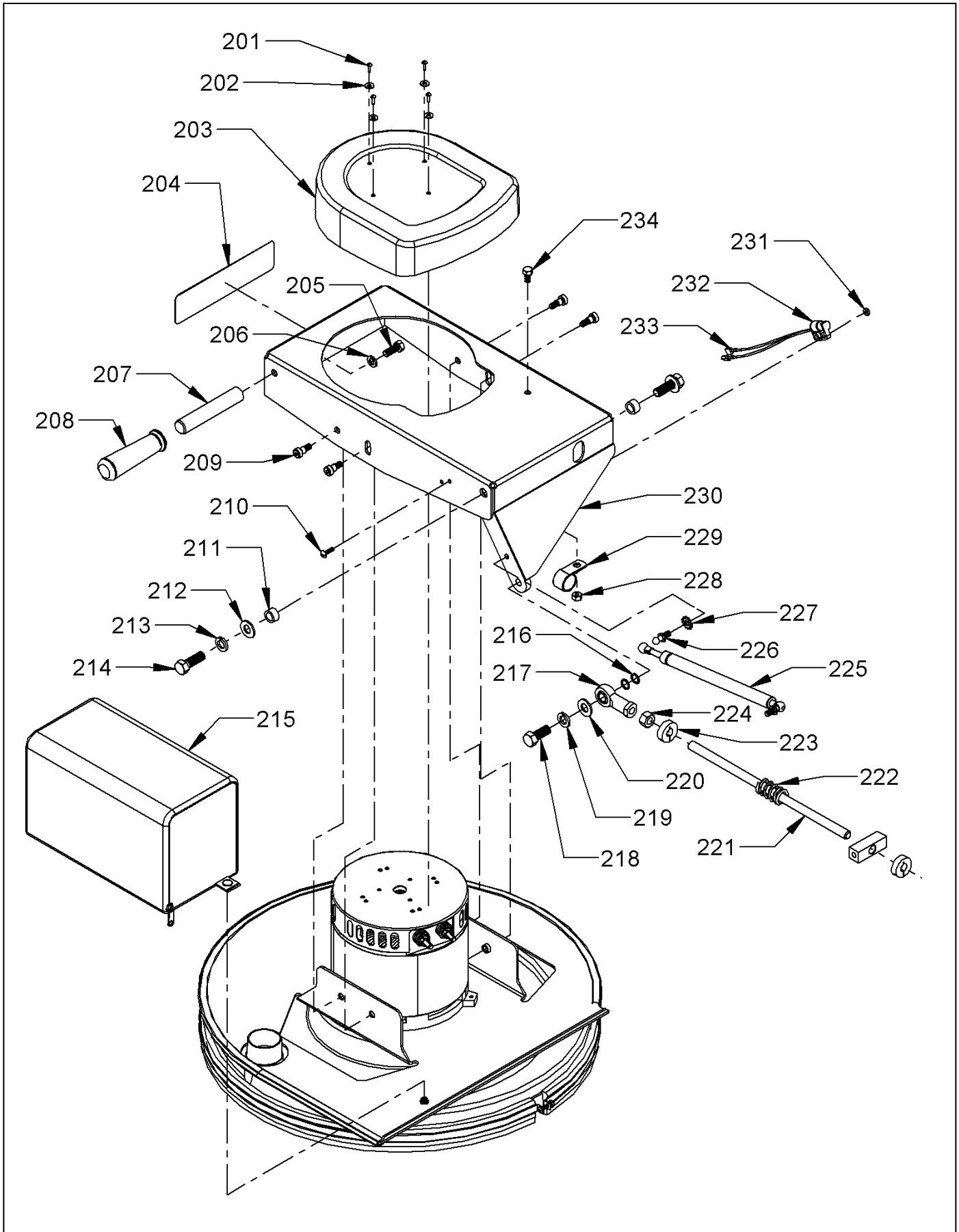
HEAD ASSEMBLY



HEAD ARM ASSEMBLY

ITEM	PART NO.	DESCRIPTION	QTY
201	9120600	#10-24 X 1/2 PAN HEAD PHILLIPS THREAD CUTTING SCREW - PACK OF 10	4
202	9120370	7/32 I.D. X 1/2 O.D. X .032/.065 THICK FLAT WASHER (#10) - PACK OF 10	4
203	6497281	MOTOR COVER	1
204	4792321	NSS LABEL - 2 X 8	1
205	9122260	3/8-16 X 1 HEX BOLT - PACK OF 2	1
206	9122100	3/8 SPLIT LOCK WASHER - PACK OF 10	1
207	6496651	GRIP BASE	1
208	3392901	HANDLE GRIP	1
209	9122020	3/8 X 3/8 SOCKET HEAD SHOULDER BOLT - PACK OF 1	4
210	9120530	#10-24 X 7/8 TRUSS HEAD PHILLIPS MACHINE SCREW - PACK OF 5	2
211	4492791	BUSHING, PIVOT	2
212	9122450	17/32 I.D. X 1 1/16 O.D. X .074/.121 THICK FLAT WASHER (1/2) - PACK OF 5	2
213	9122420	1/2 SPLIT LOCK WASHER - PACK OF 5	2
214	9122550	1/2-13 X 1 1/2 HEX BOLT - PACK OF 1	2
215	6497311	BAG, FILTER MEDIA	1
216	1090981	SPACER, SWITCH GUARD	2
217	2391941	BALL JOINT	1
218	9122550	1/2-13 X 1-1/2 HEX BOLT - PACK OF 1	1
219	9122420	1/2 SPLIT LOCK WASHER - PACK OF 5	1
220	9122450	17/32 I.D. X 1-1/16 O.D. X .074/.121 THICK FLAT WASHER (1/2) - PACK OF 5	1
221	6497801	GUIDE, SPRING	1
222	6496671	COMPRESSION SPRING 1.75 X .935 O.D.	1
223	3393891	COLLAR, SHAFT 1/2"	2
224	9122670	1/2-20 HEX JAM NUT - PACK OF 5	1
225	6496531	GAS SPRING (GGS 23-120 I) - INCLUDES:	1
	6496771	SPRING CLIP	2
226	6496541	BALL STUD - GAS SPRING MOUNT	1
227	9121410	5/16 EXTERNAL STAR LOCK WASHER - PACK OF 10	2
228	9121450	5/16-18 HEX NUT WITH NY-LOCK INSERT - PACK OF 5	1
229	2395761	CLAMP, TUBE	1
230	6497781	ARM, BRUSH ASSEMBLY	1
231	9120350	#10-24 HEX NUT WITH NY-LOCK INSERT - PACK OF 10	2
232	6496781	TILT SWITCH	1
233	4991371	FULLY INSULATED MALE TERMINAL 22-18 AWG	2
234	9121600	5/16-18 X 5/8 HEX NUT - PACK OF 5	1

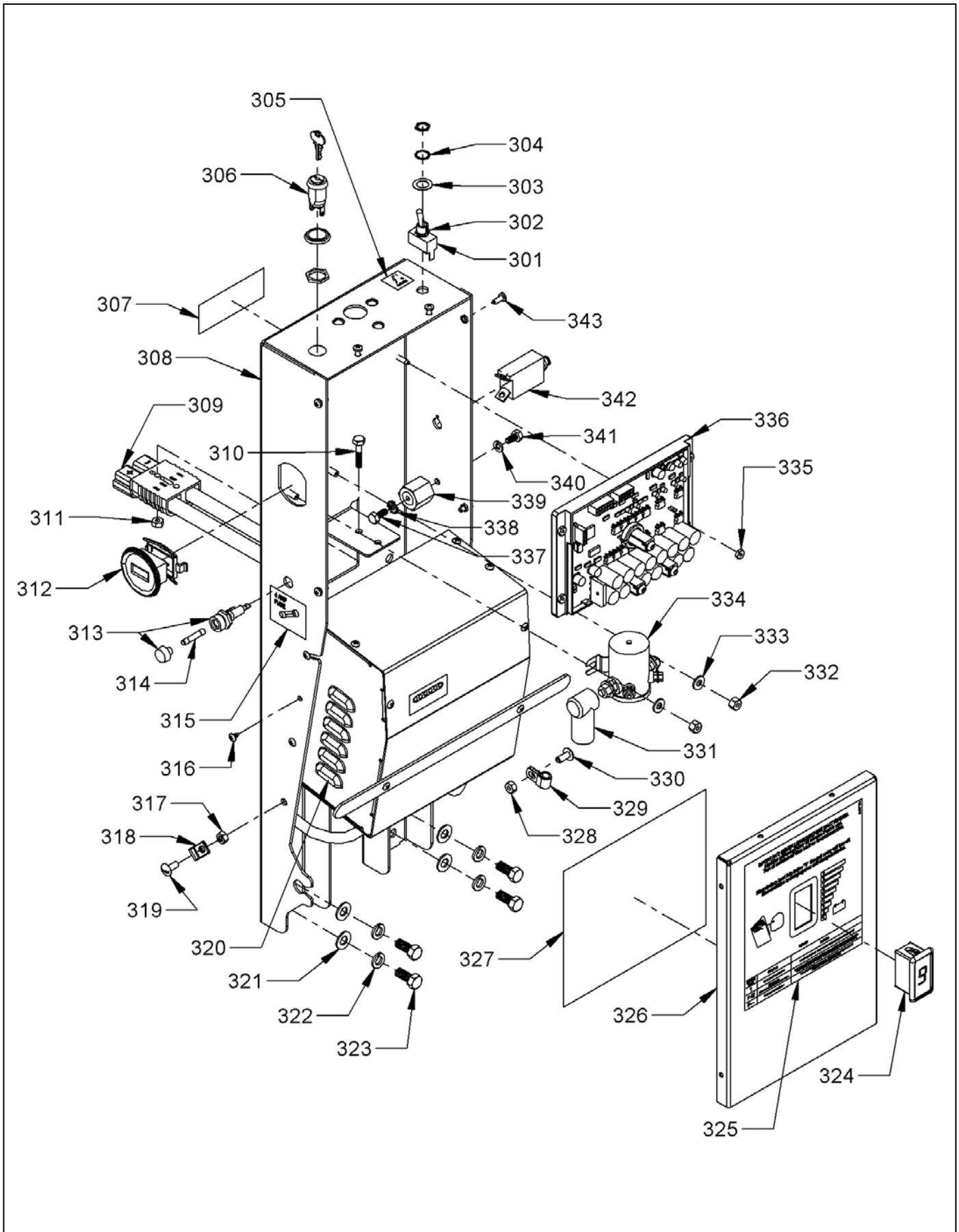
HEAD ARM ASSEMBLY



CONTROL PANEL ASSEMBLY

ITEM	PART NO.	DESCRIPTION	QTY
301	4491101	TOGGLE SWITCH, MOTOR	1
302	0798821	5/8" HEX NUT (LARGE NUT)	1
303	9122465	.516 I.D. X .813 O.D. X .027/.030 THICK FLAT WASHER - PACK OF 2	1
304	9121975	1/2 INTERNAL STAR LOCK WASHER – PACK OF 5	1
305	6497831	LABEL, MASTER SWITCH	1
306	6497039	KEY SWITCH KIT (OPTIONAL) - INCLUDES:	1
	7692511	KEY SWITCH & KEY	1
	6497021	WIRE ASSEMBLY, KEY SWITCH	1
307	6497841	NAMING LABEL, CHARGER 2022 ABLT	1
308	6497711	CONTROL PANEL	1
309	6497891	WIRE ASSEMBLY, ANDERSON - MACHINE	1
310	9121060	1/4-20 X 1 1/4 HEX BOLT - PACK OF 5	2
311	9120900	1/4-20 HEX NUT WITH NY-LOCK INSERT - PACK OF 10	2
312	2397361	HOUR METER	1
313	4990321	FUSE HOLDER WITH NUT	1
314	6496451	FAST-ACTING FUSE 2 AMP	1
315	3394721	FUSE LABEL	1
316	9120810	#10 X 1/2 PAN HEAD PHILLIPS MACHINE SCREW - PACK OF 10	4
317	9120900	1/4-20 HEX NUT WITH NY-LOCK INSERT - PACK OF 10	1
318	4890851	CABLE CLAMP	1
319	9121000	1/4-20 X 5/8 TRUSS HEAD PHILLIPS MACHINE SCREW - PACK OF 5	1
320	2695851	24 VOLT ON-BOARD CHARGER 25A DP - 100/115/230 50/60 HZ INPUT	1
	6495701	120 VOLT ON-BOARD CHARGER CORD	1
	6495711	240 VOLT ON-BOARD CHARGER CORD	1
	0396271	240 VOLT ON BOARD CHARGER CORD – TYPE I	1
321	9122180	13/32 I.D. X 13/16 O.D. X .051/.080 THK WROUGHT WASHER(3/8)-PK OF 10	4
322	9122100	3/8 SPLIT LOCK WASHER - PACK OF 10	4
323	9122260	3/8-16 X 1 HEX BOLT - PACK OF 2	4
324	6496971	BATTERY METER WITH HARNESS - INCLUDES:	1
	6496981	BATTERY METER DISPLAY	1
	6496961	WIRE HARNESS, BATTERY METER - 10 PIN	1
325	6497361	BATTERY METER/CODES LABEL AB	1
326	6497721	COVER, CONTROL PANEL	1
327	6497821	WIRING DIAGRAM LABEL AB	1
328	9120900	1/4-20 HEX NUT WITH NY-LOCK INSERT - PACK OF 10	1
329	3291111	CORD CLAMP	1
330	9121000	1/4-20 X 5/8 TRUSS HEAD PHILLIPS MACHINE SCREW - PACK OF 5	1
331	7692421	TERMINAL BOOT (RED)	1
332	9120890	1/4-20 HEX NUT WITH NY-LOCK INSERT - THIN - PACK OF 5	2
333	9120930	9/32 I.D. X 5/8 O.D. X .051/.080 THICK FLAT WASHER (1/4) - PACK OF 10	2
334	2391351	CONTACTOR, 24 VOLT	1
335	9120191	#8-32 HEX NUT WITH NY-LOCK INSERT - PACK OF 10	4
336	6497871	CONTROLER 2022 ABLT	1
	9120970	1/4 EXTERNAL STAR LOCK WASHER - PACK OF 10	3
	9120985	1/4-28 X 3/8 PAN HEAD PHILLIPS MACHINE SCREW	3
337	9121210	1/4-20 X 5/8 HEX BOLT - PACK OF 10	1
338	9120970	1/4 EXTERNAL STAR LOCK WASHER - PACK OF 10	1
339	4490561	INSULATED STANDOFF	1
340	9120880	1/4 SPLIT LOCK WASHER - PACK OF 10	1
341	9121170	1/4-20 X 1/2 HEX BOLT - PACK OF 10	1
342	6491261	CIRCUIT BREAKER - 90 AMP	1
343	9120510	#10-24 X 1/2 TRUSS HEAD PHILLIPS MACHINE SCREW - PACK OF 10	6

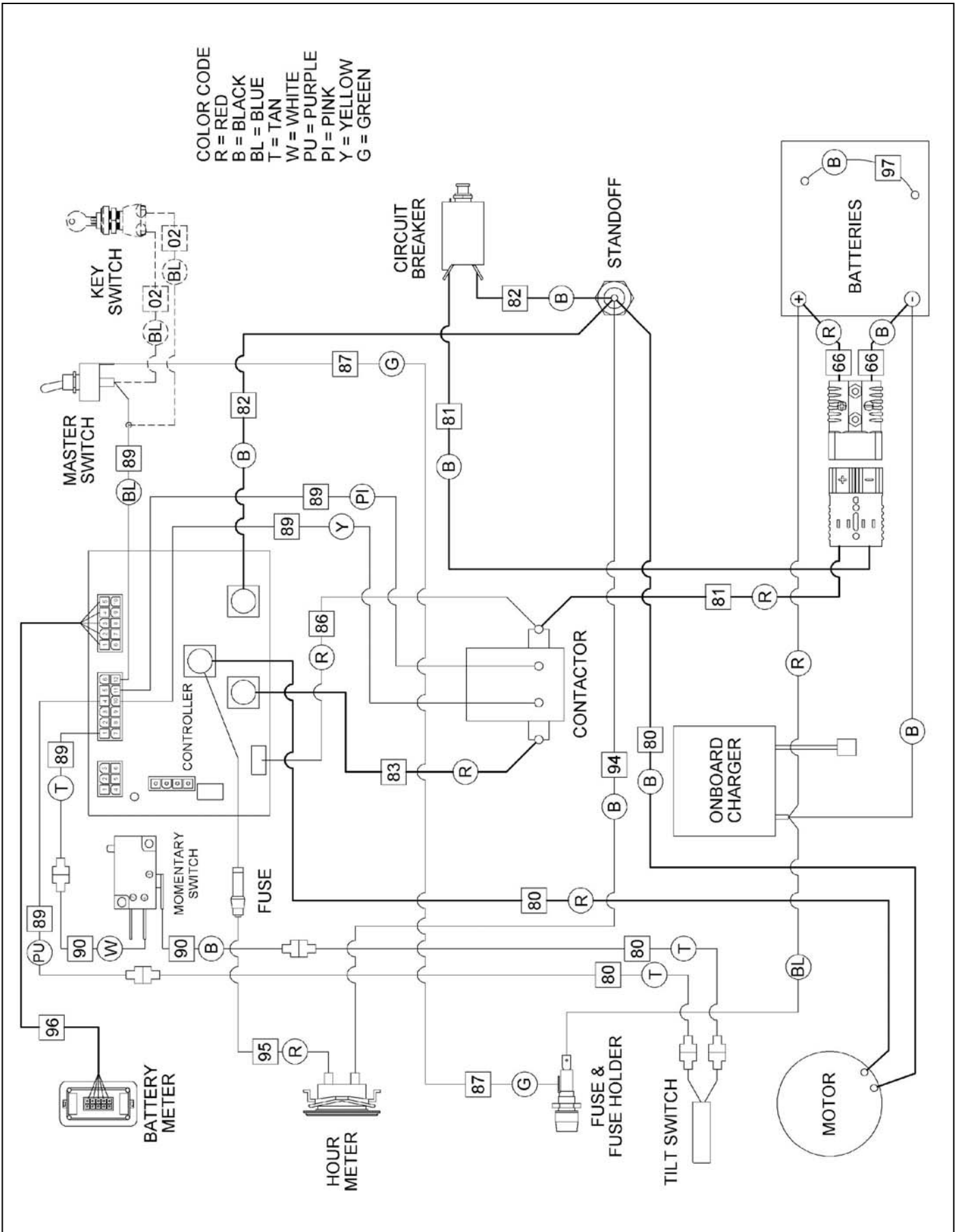
CONTROL PANEL ASSEMBLY



ELECTRICAL COMPONENTS

<u>ITEM</u>	<u>PART NO.</u>	<u>DESCRIPTION</u>	<u>QTY</u>
66	6497981	WIRING ASSEMBLY ANDERSON TO BATTERY	1
80	6497901	WIRE HARNESS, BRUSH MOTOR	1
81	6497891	WIRE ASSEMBLY, ANDERSON – MACHINE	1
82	6496821	WIRE, BREAKER TO STANDOFF	2
83	6497911	WIRE, SOLENOID TO CONTROLLER	1
86	6497971	WIRE, SOLENOID TO AB CONTROLLER	1
87	6496871	WIRE, FUSE HOLDER - MASTER SWITCH	1
89	6497961	WIRE HARNESS, CONTROLLER - 12 PIN	1
90	6497991	WIRE ASSEMBLY, BRUSH SWITCH	1
94	6496941	WIRE, HOUR METER TO STANDOFF	1
95	6496951	WIRE, WITH 2 AMP FUSE AND HOLDER	1
97	2391981	BATTERY JUMPER 3/8" RING	3
--	2397361	HOUR METER WITH / CLAMP	1
--	4490561	INSULATED STANDOFF	1
--	2391351	CONTACTOR, 24 VOLT	1
--	4491101	TOGGLE SWITCH	1
--	4990321	FUSE HOLDER WITH NUT & WASHER	1
--	4991371	FULLY INSULATED MALE TERMINAL 22-18 AWG	2
--	6491261	CIRCUIT BREAKER - 90 AMP	1
--	2695851	24 VOLT ON-BOARD CHARGER 120/240 VOLT 25 AMP	1
--	6495701	120 VOLT ON-BOARD CHARGER CORD	1
--	6495711	240 VOLT ON-BOARD CHARGER CORD	1
--	0396271	240 VOLT (TYPE I PLUG) ON-BOARD CHARGER CORD (CHINA)	1
--	6496451	FAST-ACTING FUSE 2 AMP	1
--	6497881	MOTOR 2500 RPM, 24 VOLT	1
--	6497871	CONTROLLER 2022 ABLT (0105-0003)	1
--	6496781	TILT SWITCH	1
--	6496971	BATTERY METER WITH HARNESS	1
--	6496981	BATTERY METER DISPLAY	1
96	6496961	WIRE HARNESS, BATTERY METER - 10 PIN	1
--	6497039	KEY SWITCH KIT (OPTIONAL) - INCLUDES:	1
--	7692511	KEY SWITCH & KEY	1
02	6497021	WIRE ASSEMBLY, KEY SWITCH	1
--	6990041	SWITCH, 10 AMP MOMENTARY	1

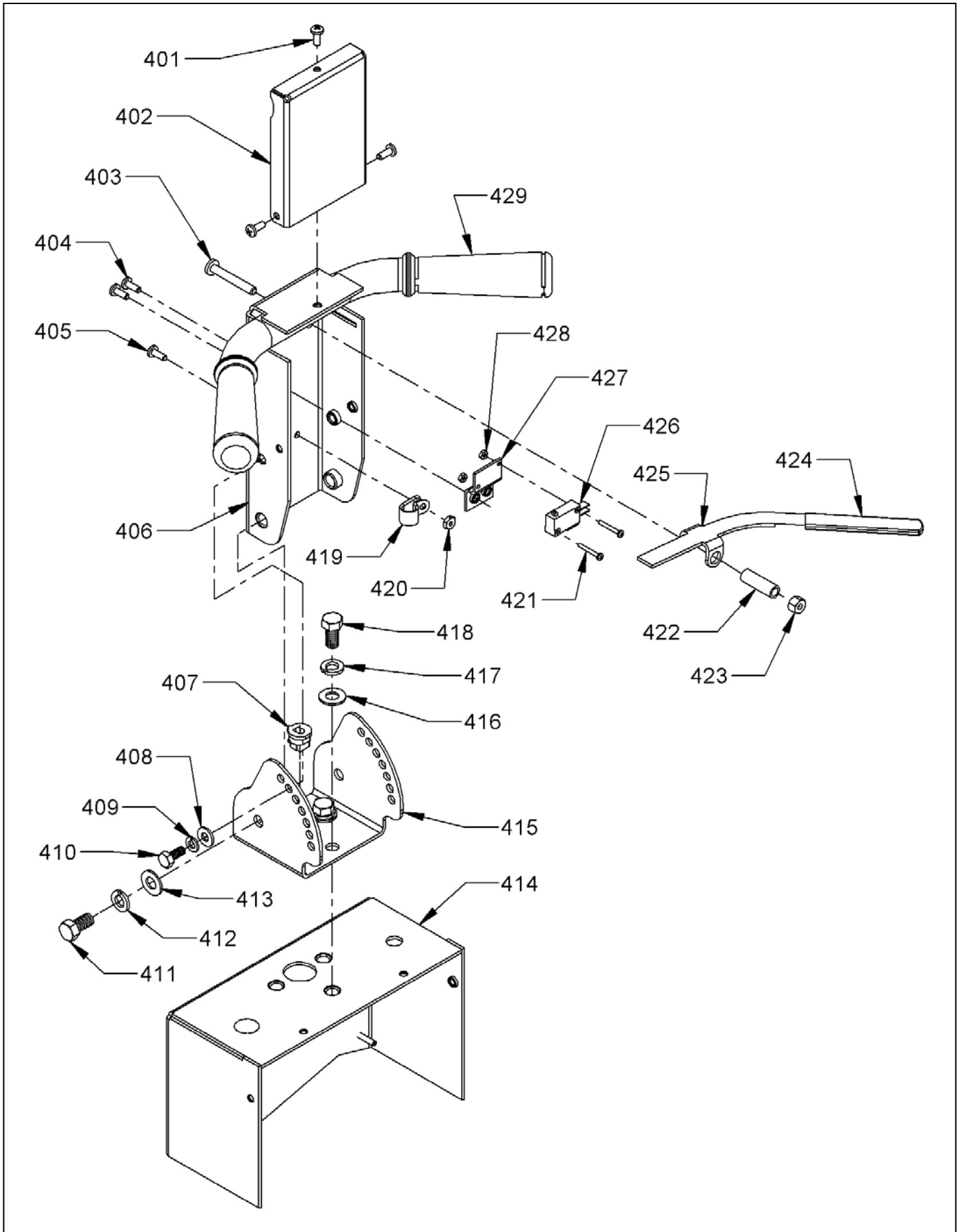
WIRING DIAGRAM



HANDLE ASSEMBLY

ITEM	PART NO.	DESCRIPTION	QTY
401	9120600	#10-24 X 1/2 PAN HEAD PHILLIPS THREAD CUTTING SCREW - PACK OF 10	3
402	6497681	COVER, HANDLE	1
403	9121070	1/4-20 X 1-3/4 ROUND HEAD PHILLIPS MACHINE SCREW - PACK OF 5	1
404	9120520	#10-24 X 5/8 TRUSS HEAD PHILLIPS MACHINE SCREW - PACK OF 10	2
405	9120520	#10-24 X 5/8 TRUSS HEAD PHILLIPS MACHINE SCREW - PACK OF 10	1
406	6497631	HANDLE	1
407	6990081	DOUBLE D STRAIN RELIEF	1
408	9120930	9/32 I.D. X 5/8 O.D. X .051/.080 THICK FLAT WASHER - PACK OF 10	2
409	9120880	1/4 SPLIT LOCK WASHER - PACK OF 10	2
410	9121210	1/4-20 X 5/8 HEX BOLT - PACK OF 10	2
411	9122220	3/8-16 X 3/4 HEX BOLT - PACK OF 5	2
412	9122100	3/8 SPLIT LOCK WASHER - PACK OF 10	2
413	9121980	7/16 I.D. X 1 O.D. X .075/.080 THICK FLAT WASHER - PACK OF 2	2
414	6497711	PANEL, CONTROL	1
415	6497671	MOUNT, HANDLE	1
416	9121980	7/16 I.D. X 1 O.D. X .075/.080 THICK FLAT WASHER - PACK OF 2	3
417	9122100	3/8 SPLIT LOCK WASHER - PACK OF 10	3
418	9122220	3/8-16 X 3/4 HEX BOLT - PACK OF 5	3
419	4894071	CLAMP, .437 DIAMETER CABLE	1
420	9120350	#10-24 HEX NUT WITH NY-LOCK INSERT - PACK OF 10	1
421	9120017	#4-40 X 3/4 PAN HEAD PHILLIPS MACHINE SCREW - PACK OF 2	2
422	2490691	SPACER	1
423	9120900	1/4-20 HEX NUT WITH NY-LOCK INSERT - PACK OF 10	1
424	0393411	GRIP, SWITCH LEVER	1
425	6497651	LEVER, SWITCH	1
426	6990041	SWITCH, 10 AMP MOMENTARY	1
427	6497661	BRACKET, SWITCH	1
428	9120010	#4-40 HEX NUT WITH NY-LOCK INSERT - PACK OF 5	2
429	6590411	HANDLE GRIP	2

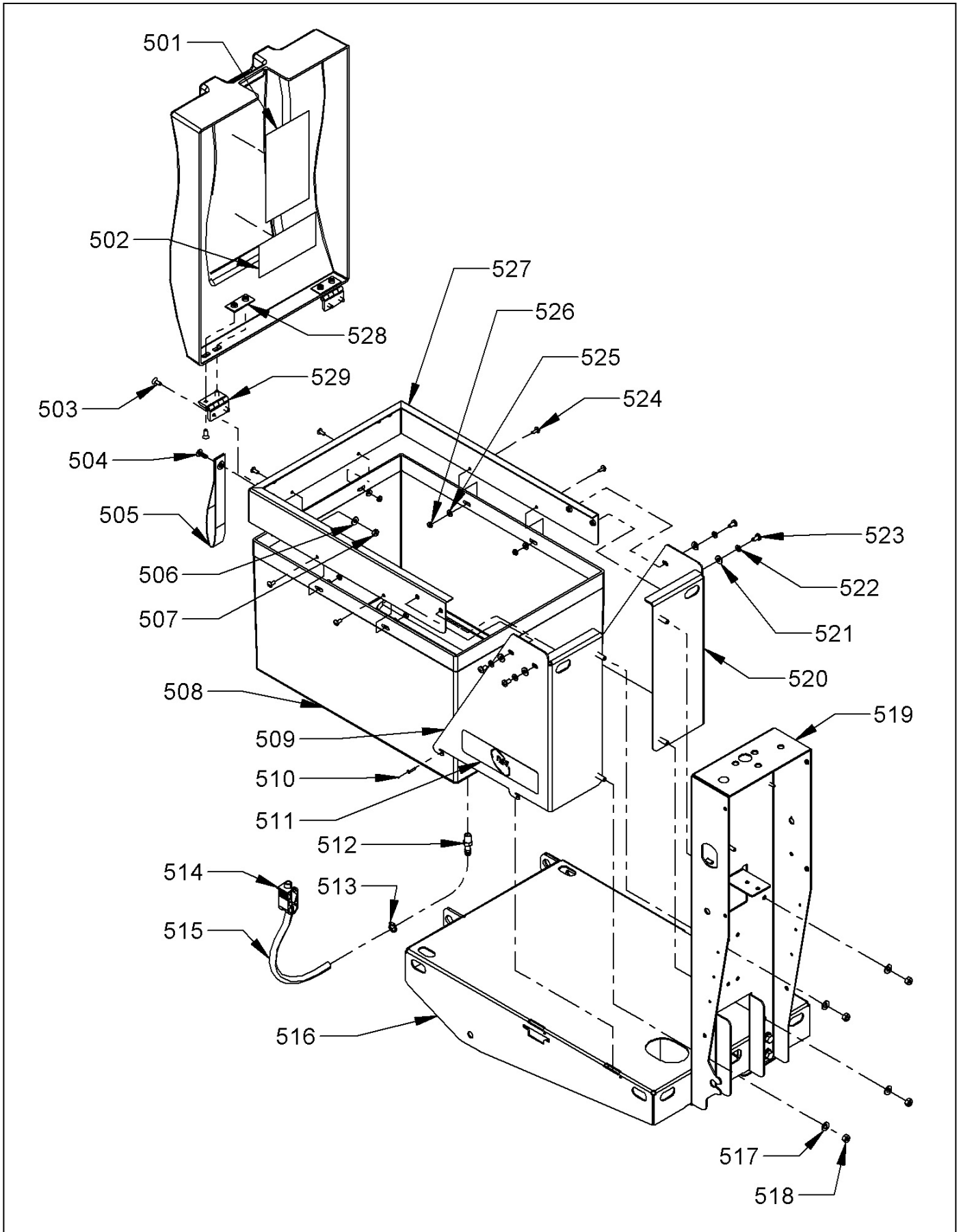
HANDLE ASSEMBLY



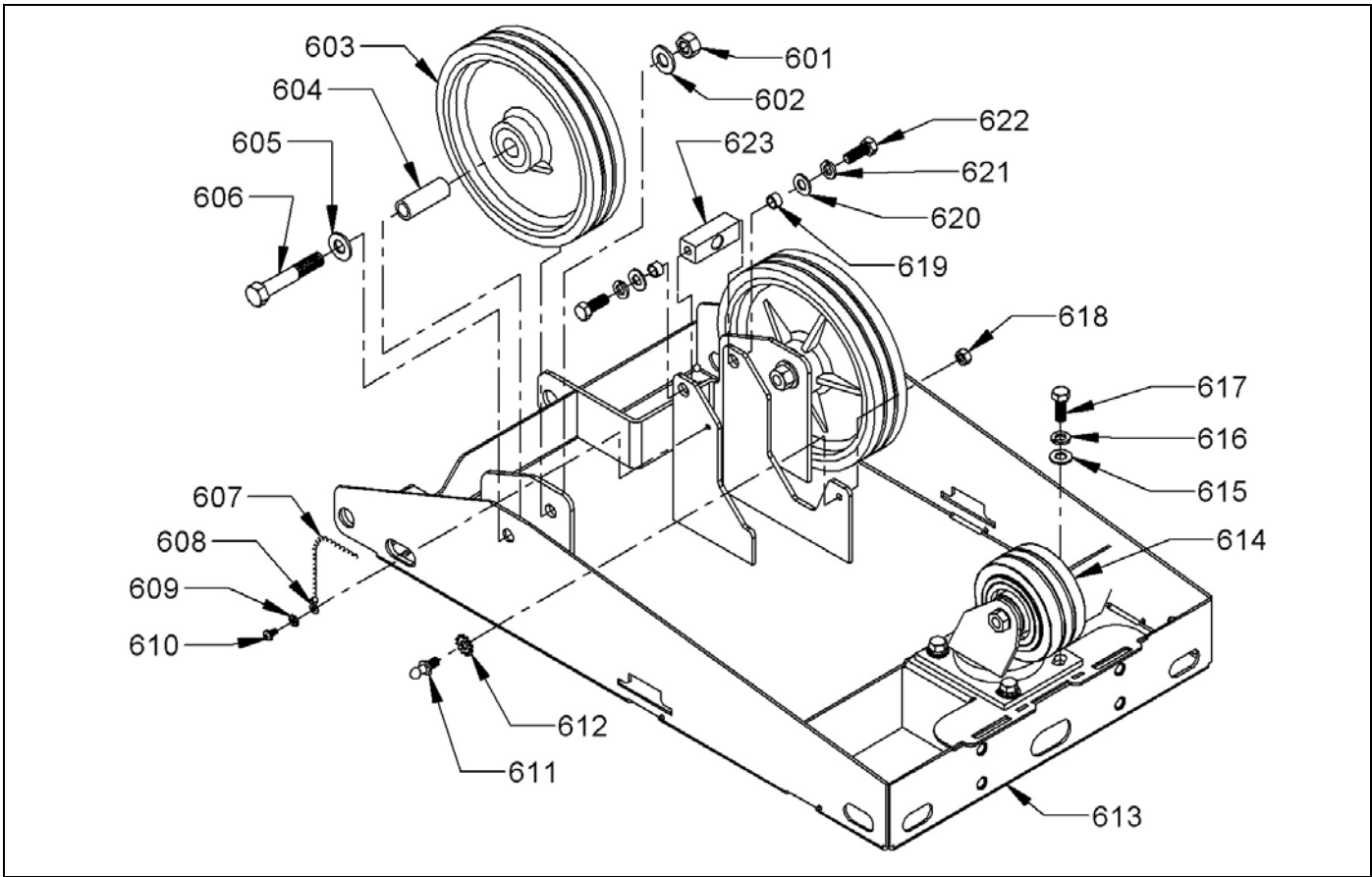
LID AND SIDE ASSEMBLY

ITEM	PART NO.	DESCRIPTION	QTY
501	6497641	LABEL, 24 VOLT BATTERY CONNECTION	1
502	3394141	OBC WARNING LABEL	1
503	9121035	1/4-20 X 7/8 FLAT HEAD PHILLIPS MACHINE SCREW - PACK OF 5	8
504	9121010	1/4-20 X 3/4 TRUSS HEAD PHILLIPS MACHINE SCREW - PACK OF 5	1
505	6497051	BRUSH HEAD RETAINING STRAP	1
506	9120930	9/32 I.D. X 5/8 O.D. X .051/.080 THK FLAT WASHER (1/4) - PACK OF 10	1
507	9120900	1/4-20 HEX NUT WITH NY-LOCK INSERT - PACK OF 10	1
508	6497951	BODY AND LID	1
509	6497751	PANEL, LEFT SIDE SUPPORT	1
510	9120309	1/8 X 1/2 DOME HEAD POP RIVET - STEEL - PACK OF 5	4
511	4792321	NSS LABEL - 2 X 8	2
512	2397551	1/4 NPT X 3/8 STRAIGHT FITTING HDPE	1
513	2392481	HOSE CLAMP, 7/32" - 5/8" DIAMETER	1
514	3390661	TUBING CONTROL VALVE	1
515	8791070	VINYL HOSE, 3/8" I.D. X 1/2" O.D.	1.3
516	6497731	FRAME, MAIN	1
517	9121390	11/32 I.D. X 11/16 O.D. X .051/.080 THICK FLAT WASHER - PACK OF 10	4
518	9121450	5/16-18 HEX NUT WITH NY-LOCK INSERT - PACK OF 5	4
519	6497711	PANEL, CONTROL	1
520	6497741	PANEL, RIGHT SIDE SUPPORT	1
521	9120930	9/32 I.D. X 5/8 O.D. X .051/.080 THK FLAT WASHER (1/4) - PACK OF 10	4
522	9120880	1/4 SPLIT LOCK WASHER - PACK OF 10	4
523	9121000	1/4-20 X 5/8 TRUSS HEAD PHILLIPS MACHINE SCREW - PACK OF 5	4
524	9120510	#10-24 X 1/2 TRUSS HEAD PHILLIPS MACHINE SCREW - PACK OF 10	6
525	9120370	7/32 I.D. X 1/2 O.D. X .032/.065 THK FLAT WASHER (#10) - PACK OF 10	6
526	9120350	#10-24 HEX NUT WITH NY-LOCK INSERT - PACK OF 10	6
527	6497761	SUPPORT, BATTERY BOX AND LID	1
528	6497941	MOUNTING PLATE, HINGE	2
529	6497811	LID HINGE	2

LID AND SIDE ASSEMBLY

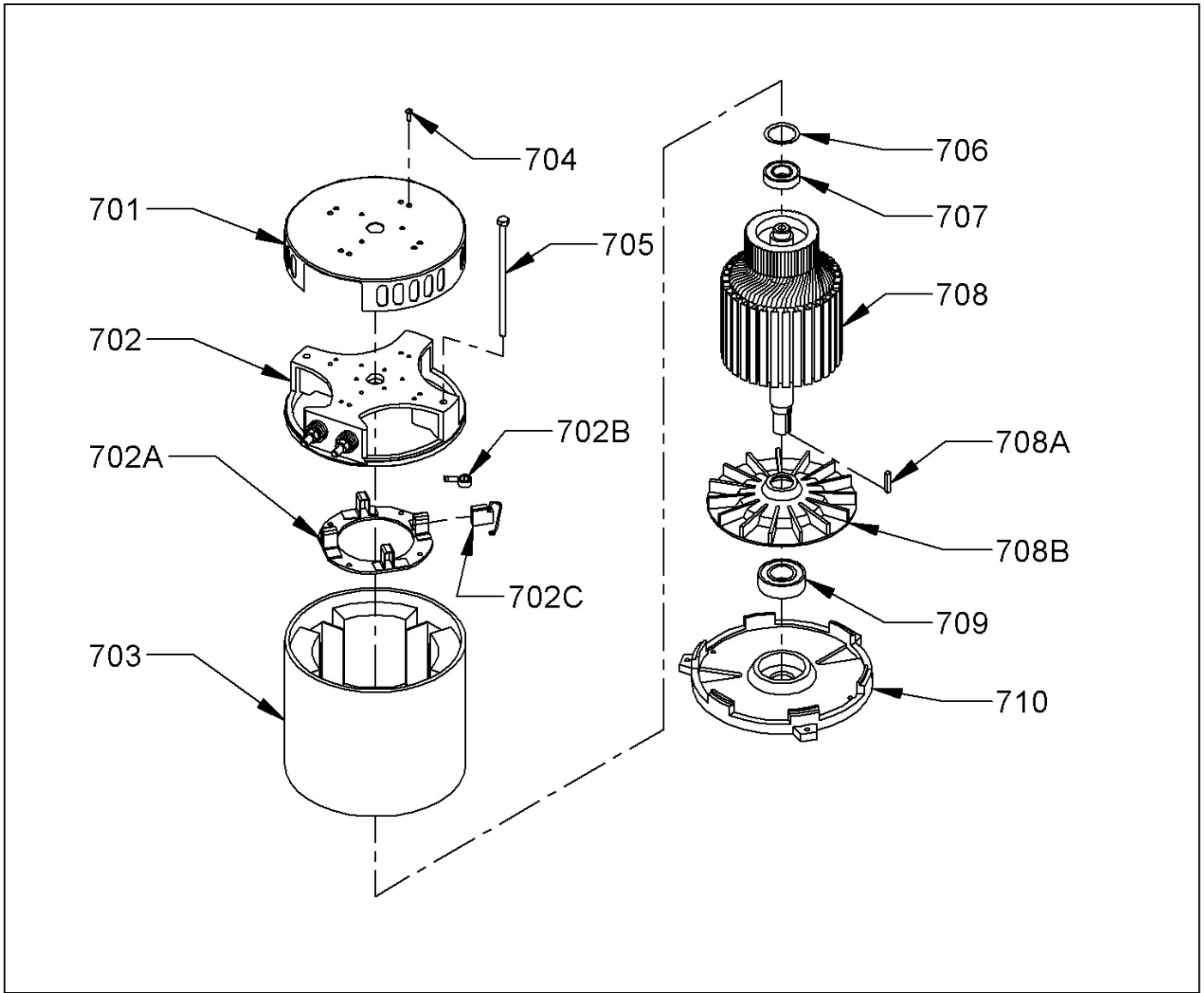


CHASSIS ASSEMBLY



<u>ITEM</u>	<u>PART NO.</u>	<u>DESCRIPTION</u>	<u>QTY</u>
601	9122507	1/2-13 HEX NUT WITH NY-LOCK INSERT - PACK OF 1	2
602	9122450	17/32 I.D. X 1-1/16 O.D. X .074/.121 THICK FLAT WASHER - PACK OF 5	2
603	2393781	WHEEL 8" O.D. X 3/4" BORE	2
	2393681	BEARING FOR WHEEL 2393781 (2 PER WHEEL)	4
604	6497771	AXLE	2
605	9122450	17/32 I.D. X 1-1/16 O.D. X .074/.121 THICK FLAT WASHER - PACK OF 5	2
606	9122658	1/2-13 X 3 HEX BOLT	2
607	6491860	ROUND BEAD CHAIN - CUT TO 5"	.4
608	6491871	END COUPLING ROUND BEAD CHAIN	1
609	9120330	#10 EXTERNAL STAR LOCK WASHER - PACK OF 10	1
610	9120380	#10-24 X 3/8 ROUND HEAD PHILLIPS MACHINE SCREW - PACK OF 10	1
611	6496541	BALL STUD - GAS SPRING MOUNT	1
612	9121410	5/16 EXTERNAL STAR LOCK WASHER - PACK OF 10	1
613	6497731	MAIN FRAME	1
614	6492061	RED 4 INCH CASTER	1
	4490391	REPLACEMENT RED CASTER WHEEL ONLY	1
615	9122180	13/32 X 13/16 X .051 THICK WASHER - PACK OF 10	4
616	9122100	3/8 SPLIT LOCK WASHER - PACK OF 10	4
617	9122260	3/8-16 X 1 HEX BOLT - PACK OF 2	4
618	9121420	5/16-18 HEX NUT - PACK OF 10	1
619	2691181	PIVOT SPACER, STABILIZER BAR	2
620	9122180	13/32 X 13/16 X .051 THICK WASHER - PACK OF 10	2
621	9122100	3/8 SPLIT LOCK WASHER - PACK OF 10	2
622	9122260	3/8-16 X 1 HEX BOLT - PACK OF 2	2
623	6495891	PIVOT	1

HEAD MOTOR



<u>ITEM</u>	<u>PART NO.</u>	<u>DESCRIPTION</u>	<u>QTY</u>
	6497881	MOTOR 2HP, 24VOLT, 2500 RPM - INCLUDES:	1
701	5991731	COMMUTATOR BRACKET COVER	1
702	6493531	COMMUTATOR BRACKET ASSEMBLY - INCLUDES:	1
702	6493541	COMMUTATOR BRACKET	1
702A	6493601	BRUSH BOARD ASSEMBLY - INCLUDES:	1
702B	6493591	SPRING	4
702C	7692041	CARBON BRUSH	4
703	5991521	STATOR FRAME ASSEMBLY - WITH CLIPS AND MAGNETS	1
704	9120600	#10-24 X 1/2 PAN HEAD PHILLIPS THREAD CUTTING SCREW - PK 10	4
705	5991701	THRU BOLT	2
706	-----	HELICAL WASHER - LARGE	1
707	5991551	BEARING - TOP END	1
708	6493611	ARMATURE - 2500 RPM - INCLUDES:	1
708A	9120827	3/16 SQUARE X 1 LONG KEY - STEEL - PACK OF 2	1
708B	6493571	ALUMINUM FAN	1
709	5991541	BEARING - BOTTOM END	1
710	6493551	END BRACKET - BOTTOM END	1

ACCESSORIES



<u>PART NO.</u>	<u>DESCRIPTION</u>
NOTE:	ALL PADS COME 5 PADS PER CASE (EXCEPT TWISTER PADS)
7992051	20" LITE BLUE POLISH / BURNISH PAD - FOR SOFT FINISH
7992061	20" LITE HAIR BURNISH PAD - FOR ALL FINISHES
7992081	20" ULTRA HAIR HARD FINISH PAD - FOR HARD FINISH
7992091	20" ULTIMATE HAIR PAD - HARD FINISH AGGRESSIVE BURNISHING
7992021	20" GREEN SCRUB PAD - HEAVY FINISH REMOVAL
7992001	20" BLACK STRIP PAD - REMOVES FINISH COMPLETELY
7992011	20" BROWN STRIP PAD - REMOVES FINISH COMPLETELY

TWISTER PADS

7992141	20" TWISTER RED PAD
7992131	20" TWISTER WHITE PAD
7992121	20" TWISTER YELLOW PAD
7992101	20" TWISTER GREEN PAD

BATTERY & BATTERY CHARGER

2698441	DUAL PRO CHARGER FAN REFURBISHMENT KIT
2698421	DUAL PRO CHARGER RING TERMINAL REFURBISHMENT KIT



NSS® Enterprises, Inc.

3115 Frenchmens Road
Toledo, Ohio 43607
PHONE (419) 531-2121
FAX (419) 531-3761
mailus@nss.com
www.nss.com