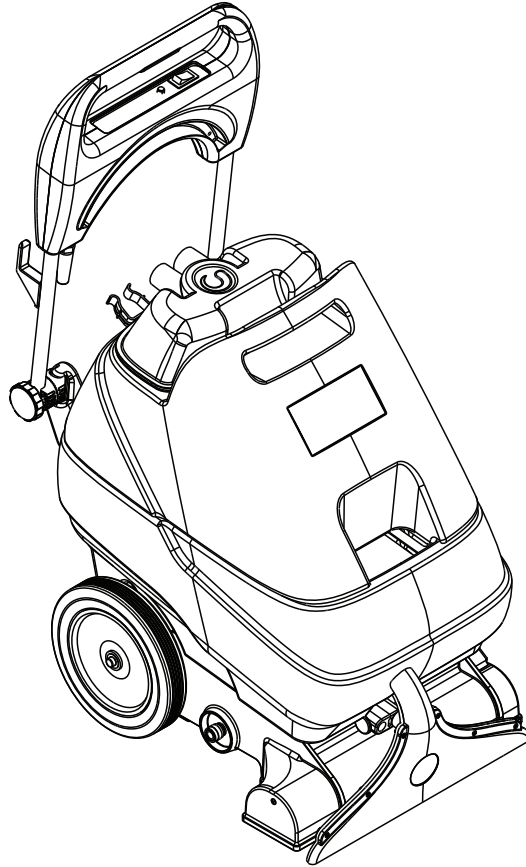


---

# Clarke<sup>®</sup>

## Clean Track S16, L18



### Parts List

Models: 56382723 (S16), 56382724 (L18)



## TABLE OF CONTENTS

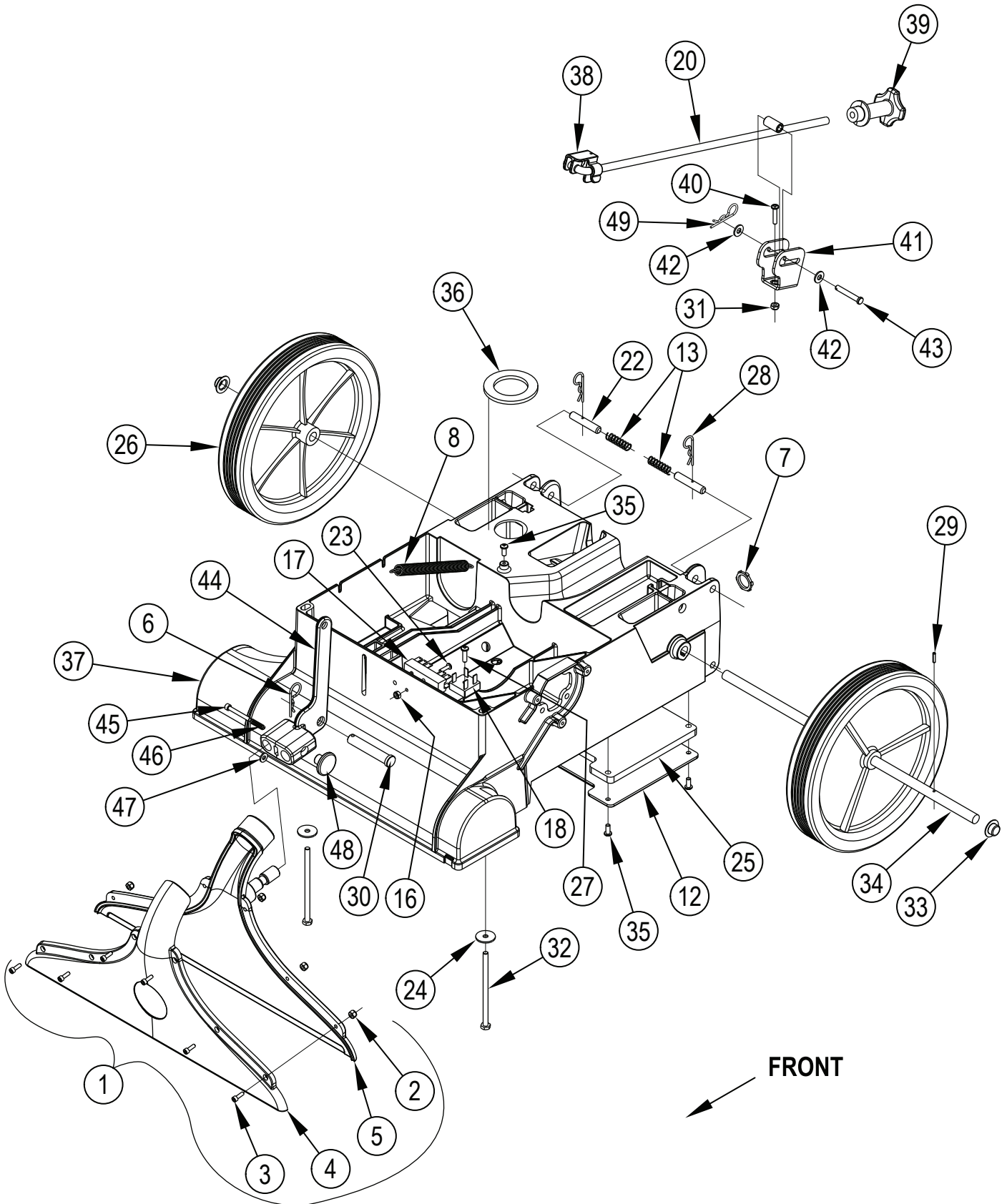
<u>DESCRIPTION</u>	<u>PAGE</u>
Base System .....	2-3
Brush System.....	4-5
Decal System.....	6-7
Handle System 16.....	8-9
Handle System 18.....	10-11
Recovery System.....	12-13
Solution Pump System.....	14-15
Solution Tank Assy.....	16-17
Ladder Diagram .....	18-19
Accessories.....	20

### WHEN ORDERING PARTS

- \* Use the part numbers from the "Ref. No." columns in this parts list.
- \* Specify the model and serial number of the machine.
- \* Use the space below to record the model and serial number for future reference.

Model \_\_\_\_\_ Serial No. \_\_\_\_\_

BASE SYSTEM

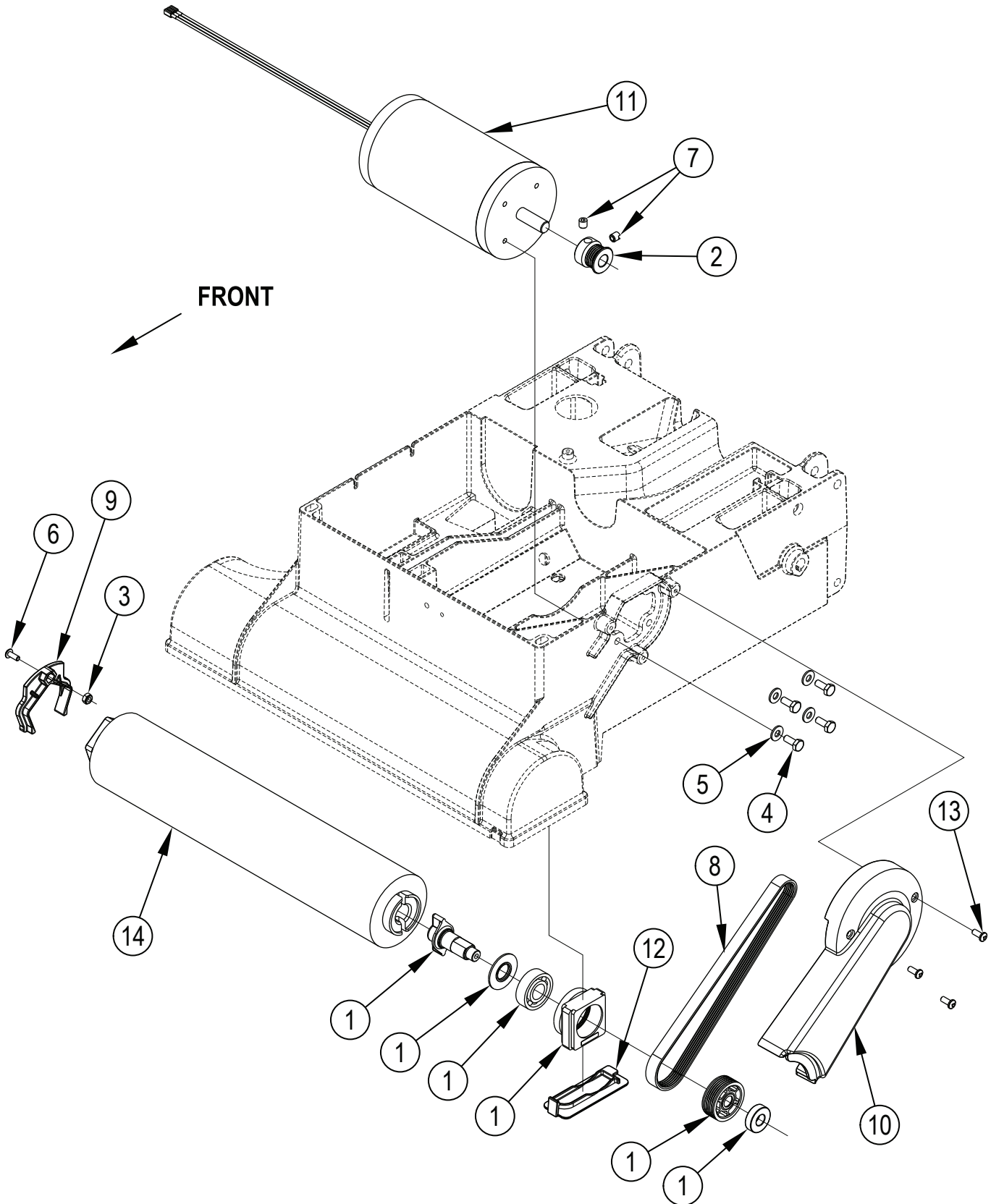


## BASE SYSTEM

Item	Ref. No.	Qty	Description
1	56265067	1	Shoe Assembly, 16 (Clean Track S16) (items 2-5)
	56265080	1	Shoe Assembly, 18 (Clean Track L18) (items 2-5)
2	56002865	6	Nut, Hex Nyl Loc-Thin 8-32
3	56002101	6	Scr, Soc Hd 8-32 x 0.50
4	56265068	1	Shoe Front, 16
	56265081	1	Shoe Front, 18
5	56265069	1	Shoe Back, 16, Assy
	56265082	1	Shoe Rear, 18, Assy
6	56002959	1	Pin, Cotter Hair
7	56009095	1	Nut, Conduit Lock 1/2-14
8	56398606	1	Spring, Ext .50 x 6.25
12	56265172	1	Panel, Exhaust
13	56228142	2	Spring, Compression
16	56002865	1	Nut, Hex Nyl Loc-Thin 8-32
17	56260071	1	Terminal Block
18	56265103	1	Rectifier, 35 Amp
20	56265111	1	Adjustment Rod Weldment
22	56265073	2	Pin, Pivot
23	56002146	1	Scr, Pan Phil 8-32 x .62
24	56009060	2	Wsh, Flt SS .260 x 1.000 x .074
25	56265071	1	Gasket, Exhaust
26	56249505	2	Wheel
27	56003091	1	Scr, Pan Phil Plastite 10-14 x .75
28	56003120	2	Pin, Cotter Hair .0915 x .375
29	56003133	1	Pin, Spr .12 x .56
30	56003207	1	Clevis Pin .50 x 2.75
31	56002832	1	Nut, Hex Nyl Loc-Thin 10-24
32	56003691	2	Scr Hex Loc SS 1/4-20 x 4.50
33	56009097	2	Nut, Push Cap 1/2
34	56265057	1	Axle
35	56009191	5	Scr, Pan Phil Plastite 10-14 x .50
36	56200573	1	Gasket, Ring 1.75 x 2.75 x .19
37	56265020	1	Base, Extractor, 16 (Clean Track S16)
	56265120	1	Base, Extractor, 18 (Clean Track L18)
38	56265031	1	Clip, Rod
39	56109548	1	Knob, Brush Adjustment
40	56002674	1	Scr, Pan Phil 10-24 x 1.00
41	56265119	1	Latch, Adjustment
42	56002098	2	Wsh, Flt SAE 1/4
43	56003193	1	Clevis Pin .25 x 1.625
44	56265237	1	Lever, Brush Adjustment
45	56003761	1	Scr, Soc Hd SS 10-32 x 1.50
46#	56384068	1	Spring-Left Wound-.255 O.D.
47	56002916	1	Wsh, Flt SAE SS #10
48	56265239	1	Knob
49	2-00-05249	1	Hair Pin-Cotter

# = Revised or new since last update

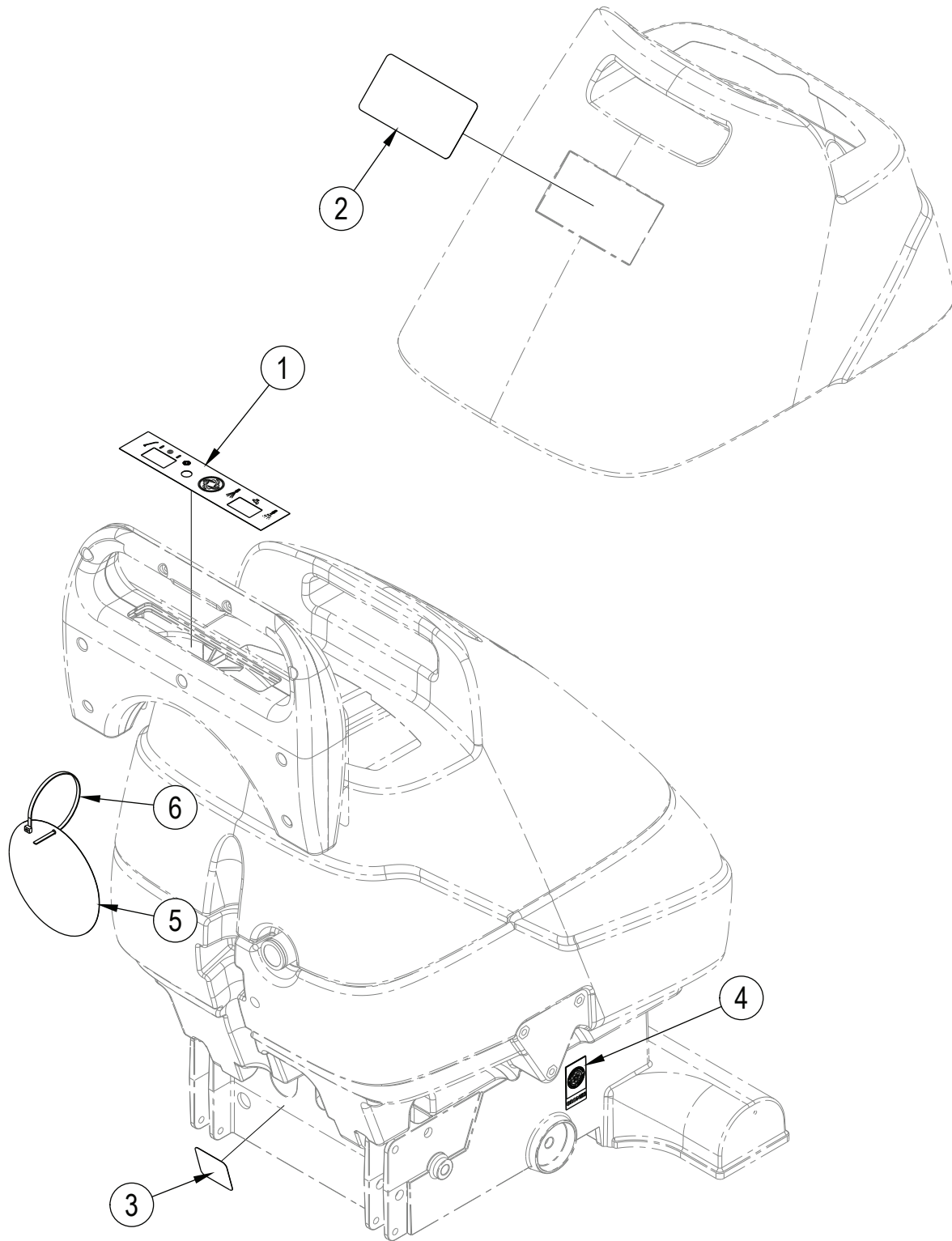
### BRUSH SYSTEM



## BRUSH SYSTEM

Item	Ref. No.	Qty	Description
1	56265204	1	Bearing/Spindle Kit
		1	Spindle, Drive
		1	Washer, Bearing
		1	Bearing, Block
		1	Sheave Poly-V 6J17
		1	Bearing, Ball
		1	Bearing, Ball
2	56262558	1	Sheave, Poly-V
3	56002849	1	Nut, Hex Nyl Loc-Thin SS 10-24
4	56001854	4	Scr, Hex Hd 1/4-20 x .50
5	56002098	4	Wsh, Flt SAE 1/4
6	56002900	1	Scr, Pan Phil SS 10-24 x .50
7	56009131	2	Scr, Soc Set Loc 5/16-18 x .31
8	56265024	1	Belt, Poly V
9	56265043	1	Clip, Brush Retainer
10	56265047	1	Belt Guard
11	56265075	1	Motor, 115 VDC, 1/3 HP
12	56265091	1	Cover, Pulley
13	56009191	3	Scr, Pan Phil Plastite 10-14 x .50
14	56265044	1	Brush Assembly 16
	56265046	1	Brush, 16
	56265099	1	Brush Assembly 18
	56265065	1	Brush, 18

# DECAL SYSTEM

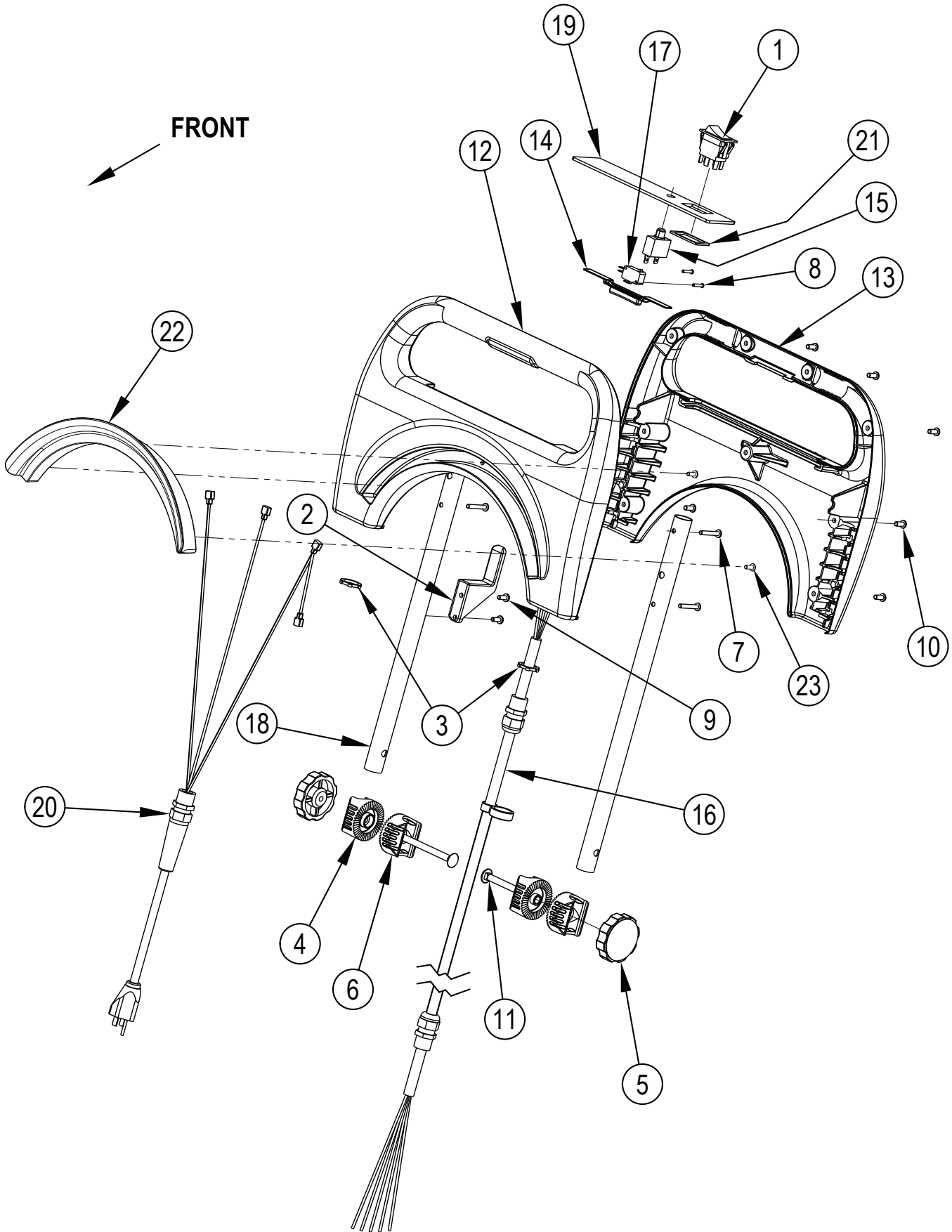




## DECAL SYSTEM

Item	Ref. No.	Qty	Description
1	56016717	1	Decal, Panel ( <b>Clean Track L18</b> )
	56016716	1	Decal, Panel ( <b>Clean Track S16</b> )
2	56382744	1	Decal-Clean Track S16
	56382745	1	Decal-Clean Track L18
3	56016718	1	Decal, Brush Pressure
4	56317151	1	Decal, CRI Bronze
5	56040958	1	Tag, CRI
6	56478523	1	Tie, Cable

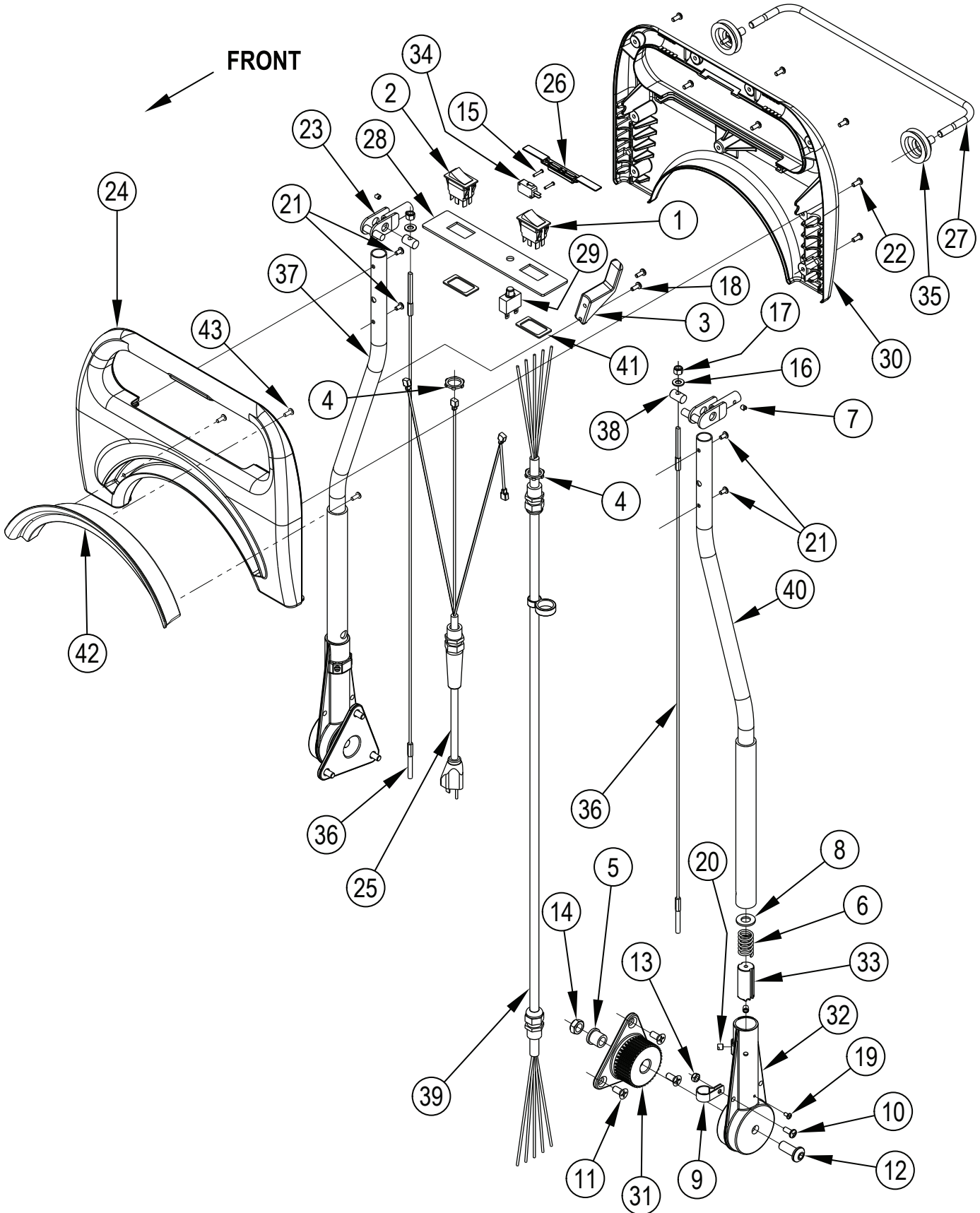
### HANDLE SYSTEM 16



**HANDLE SYSTEM 16**

<b>Item</b>	<b>Ref. No.</b>	<b>Qty</b>	<b>Description</b>
1	56381823	1	Switch, Rocker
2	56262518	1	Hook, Cord
3	56009095	2	Nut, Conduit Lock 1/2-14
4	56264123	2	Ratchet
5	1047	2	Knob
6	56264118	2	Ratchet
7	56002824	4	Scr, Pan Phil 10-24 x 1.25
8	56003092	2	Scr, Pan Phil Plastite 4-20 x .62
9	56009029	2	Scr, Pan Phil Thd Form 10-24 x .50
10	56009191	9	Scr, Pan Phil Plastite 10-14 x .50
11	56009227	2	Scr, Carriage 5/16-18 x 3.50
12	56265028	1	Cover, Handle, Front
13	56265029	1	Cover, Handle, Rear
14	56265053	1	Button, Spray
15	56265056	1	Circuit Breaker W/Boot
16	56265085	1	Main Cable Assy
17	56265098	1	Switch, SPDT Snapaction
18	56265143	2	Tube, Handle
19	56265159	1	Panel, Control
20	56265162	1	Cord, Power 14/3, SJT
21	56382685	1	Locking Spacer Switch Aluminum
22	56265090	1	Hook Handle Cover
23	56001993	3	Screw 10-24 X 0.5 Zinc PL

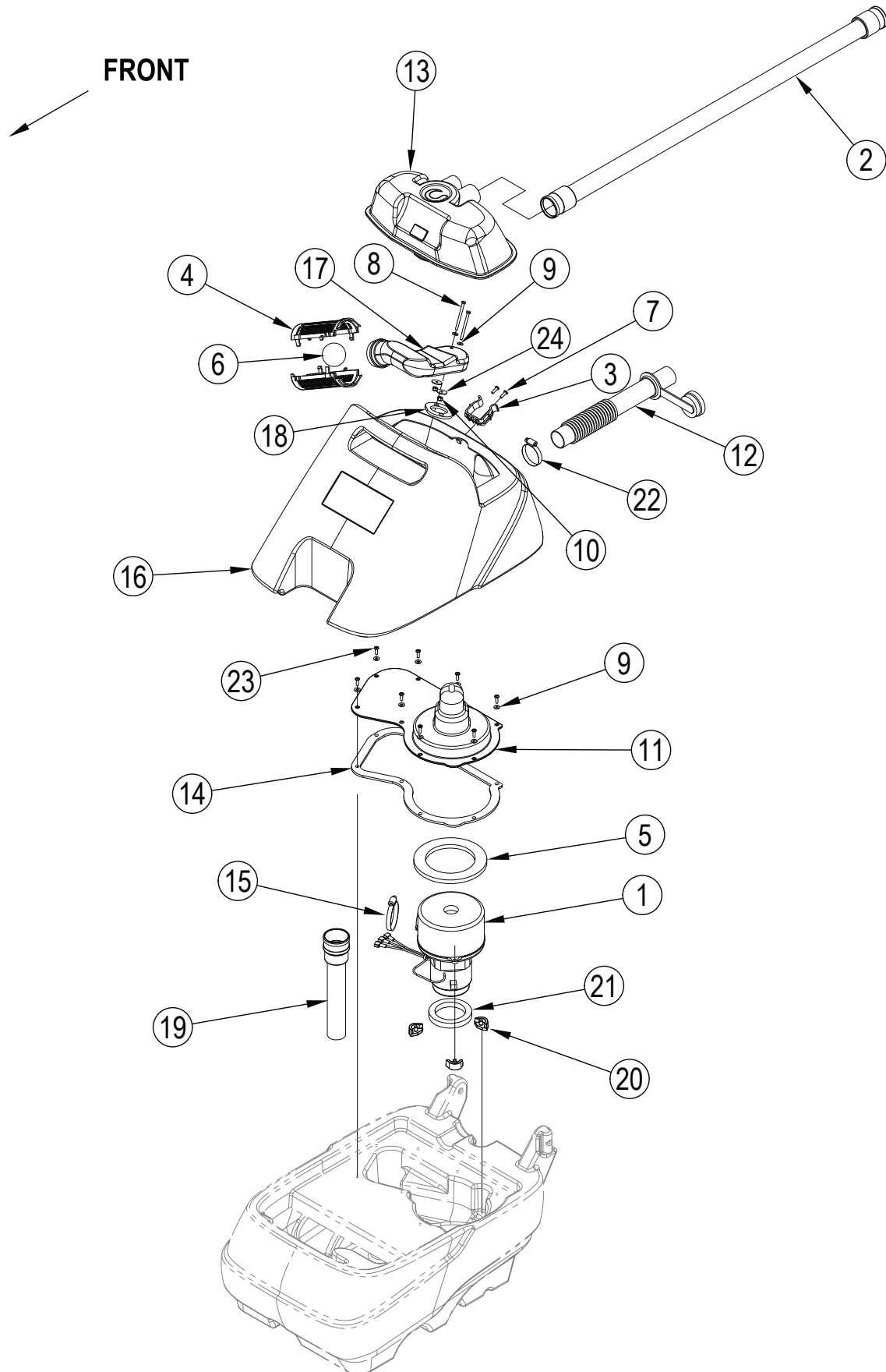
### HANDLE SYSTEM 18



## HANDLE SYSTEM 18

Item	Ref. No.	Qty	Description
1	56381823	1	Switch, Rocker ( <b>vacuum</b> )
2	56381824	1	Switch, Rocker ( <b>solution</b> )
3	56262518	1	Hook, Cord
4	56009095	2	Nut, Conduit Lock 1/2-14
5	56111503	2	Bearing, Flange
6	56056519	2	Compression Spring
7	56001841	2	Scr, Soc Set Loc 1/4-20 x .25
8	56009003	2	Wsh, Flt .516 x .938 x .075
9	56486112	1	Clamp, P
10	56002066	2	Scr, Pan Phil 1/4-20 x .62
11	56002395	6	Scr, Flt Phil 5/16-18 x .75
12	56009341	2	Scr, Button Soc 1/2-13 x 1.50
13	56002840	1	Nut, Hex Nyl Loc-Thin 1/4-20
14	56002843	2	Nut, Hex Nyl Loc-Thin 1/2-13
15	56003092	2	Scr, Pan Phil Plastite 4-20 x .62
16	56002098	2	Wsh, FLT SAE 1/4
17	56003284	2	Nut, Hex Nyl Loc 1/4-28
18	56009029	2	Scr, Pan Phil Thd Form 10-24 x .50
19	56009066	2	Scr, Pan Phil 8-32 x .31
20	56009131	4	Scr, Soc Set Loc 5/16-18 x .31
21	56009139	4	Scr, Pan Phil Loc 10-24 x .38
22	56009191	9	Scr, Pan Phil Plastite 10-14 x .50
23	56265241	2	Handle Adjustment Pivot
24	56265028	1	Cover, Handle, Front
25	56265162	1	Cord, Power 14/3, SJT
26	56265053	1	Button, Spray
27	56265054	1	Bail, Handle Release
28	56265055	1	Panel, Control
29	56265056	1	Circuit Breaker W/Boot ( <b>5 amps</b> )
30	56265062	1	Cover, Flip Handle, Back
31	56109556	2	Gear, Handle
32	56265083	2	Handle Socket
33	56109557	2	Lock, Handle
34	56265098	1	Switch, SPDT Snapaction
35	56265128	2	Bellows, Handle
36	56265147	2	Wire Rope Assy
37	56265157	1	Tube, Handle
38	56265242	2	Pin
39	56265192	1	Main Cable Assy
40	56265197	1	Tube, Handle
41	56382685	2	Locking Spacer Switch Aluminum
42	56265090	1	Hook Handle Cover
43	56001993	3	Screw 10-24 X 0.5 Zinc PL

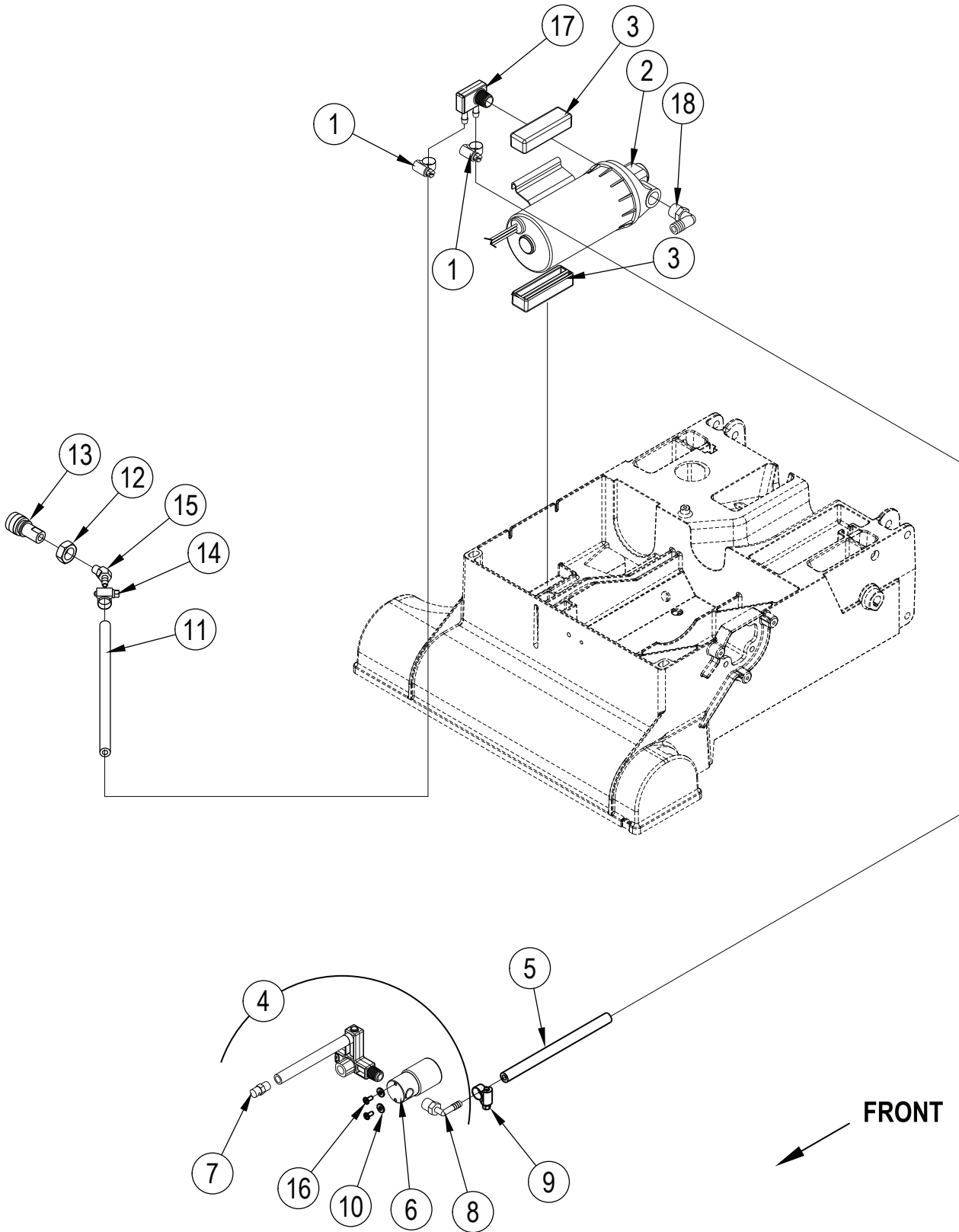
## RECOVERY SYSTEM



## RECOVERY SYSTEM

Item	Ref. No.	Qty	Description
1	56265096	1	Vac Motor, 120V
*	56264453	1	Carbon Brushes for 56265096 (one pair)
2	56265142	1	Vac Hose 1.50 x 48.00 x 975018 <b>(Clean Track S16)</b>
	56265211	1	Vac Hose 1.50 x 54.00 x 975018 <b>(Clean Track L18)</b>
3	56331154	1	Clamp, Plastic
4	56324497	2	Cage, Float
5	56385437	1	Gasket
6	56391690	1	Ball, Float
7	56002124	2	Scr, Pan Phil 10-24 x .62
8	56003809	2	Scr-Hex SS 10-24 x 2.00
9	56009205	10	Wsh, Flt SS #10
10	56002836	2	Nut-Hex Nyl Loc SS 10-24
11	56265030	1	Cover, Vac Motor
12	56265034	1	Hose, Drain 1.5 Inch
13	56109528	1	Recovery Lid Assy
14	56265072	1	Gasket, Vac Cover
15	56440213	1	Clamp, Hose SAE #32
16	56265131	1	Tank, Recovery, 16 <b>(Clean Track S16)</b>
	56265133	1	Tank, Recovery, 18 <b>(Clean Track L18)</b>
17	56265134	1	Duct, Float
18	56265163	1	Gasket
19	56265202	1	Vac Hose Assy
20	56314484	3	Mount, Vibration
21	56314760	1	Gasket, Vacuum Duct
22	56329145	1	Clamp, Hose SAE #24
23	56002900	8	Scr, Pan Phil SS 10-24 x .50
24	56009096	2	Wsh-Flt .193 x .875 x .060

### SOLUTION PUMP SYSTEM

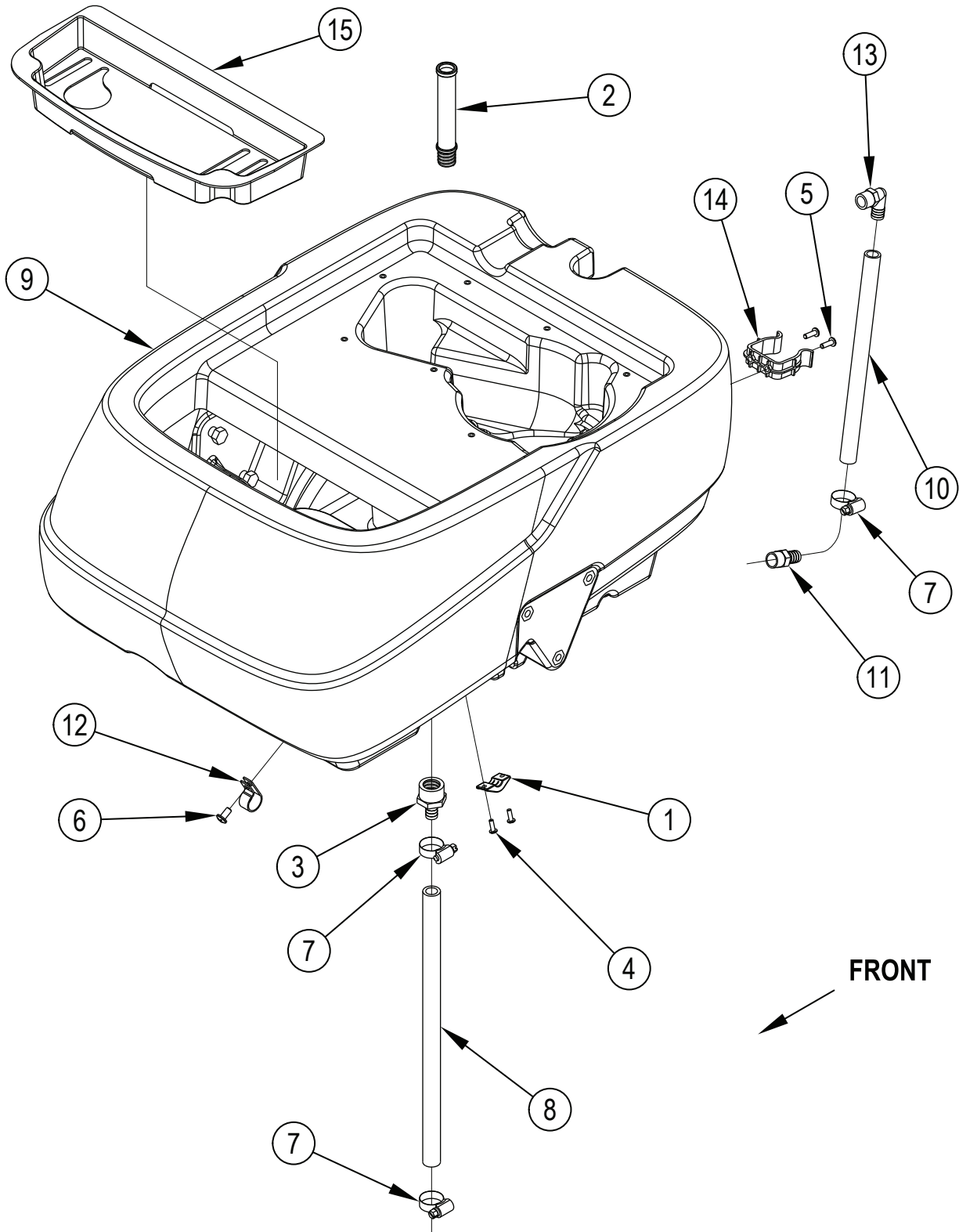




## SOLUTION PUMP SYSTEM

Item	Ref. No.	Qty	Description
1	56756364	2	Clamp, Hose SAE #4
2	56265224	1	Pump 115V
3	56265033	2	Mount, Pump
4	56109513	1	Nozzle-Valve Assy-16 (items 6, 7, 8)
5	56264346	1	Hose, Polyester Braid (10.5")
6	56265037	1	Valve, Solenoid 115V <b>TSBUS2007-966</b>
7	56265052	1	Nozzle, Spray
8	56470138	1	Barb, 90 Elbow 1/4 x 1/4NPT
9	56756364	1	Clamp, Hose SAE #4
10	56002875	2	Wsh, Flt SAE SS #8
11	56264346	1	Hose, Polyester Braid (10.5")
12	56009078	1	Nut, Hex Jam SS 5/8-18
13	56265208	1	Socket, 1/8 FPT
14	56756364	1	Clamp, Hose SAE #4
15	56109732	1	Barb, Adapter Male 45 Degree
16	56003018	2	Scr, Pan Phil SS 8-32 x .38
17	56109503	1	Double Barb Assy
18	56109566	1	Barb, 90 Elbow 1/2 x 3/8 NPT

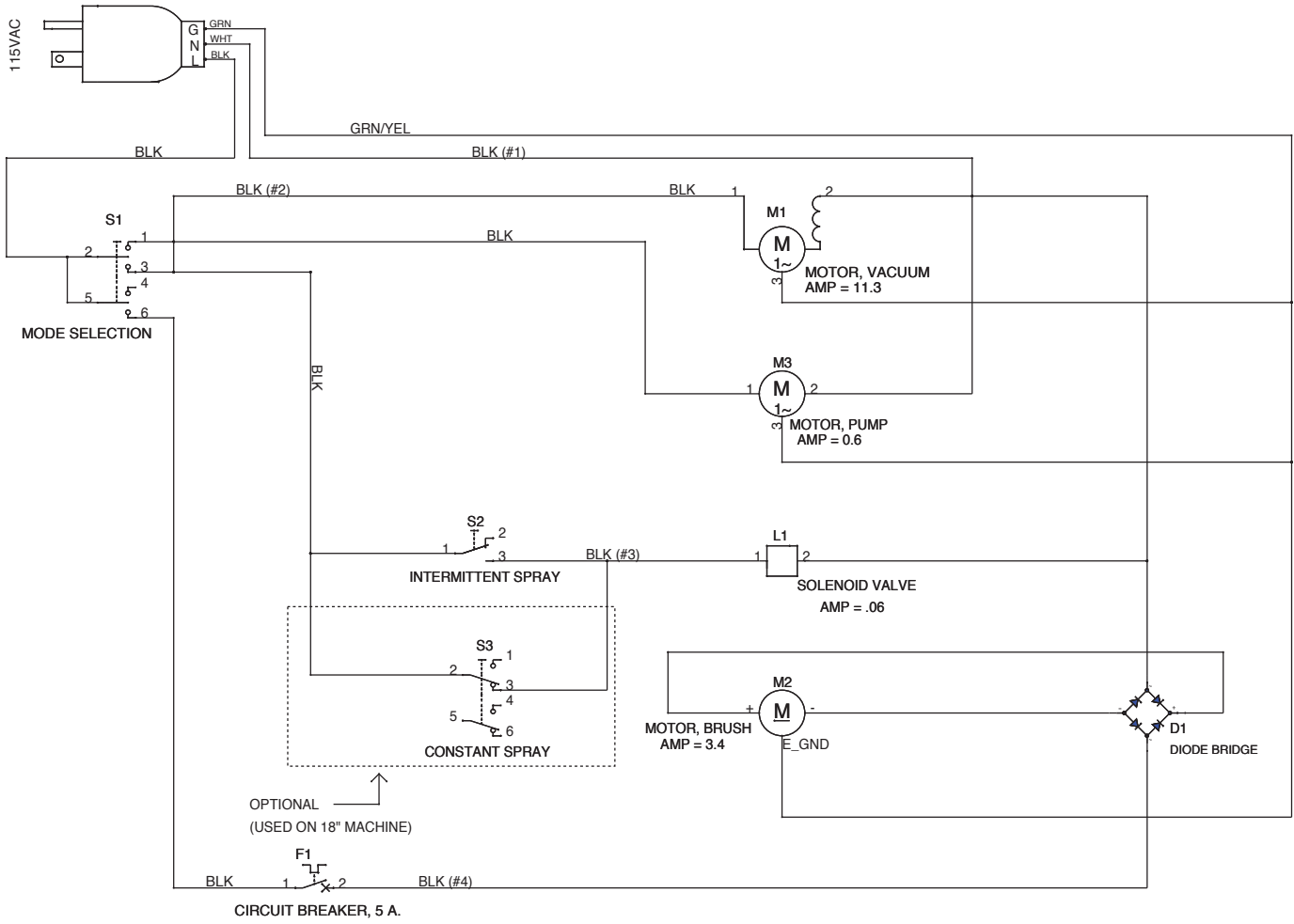
### SOLUTION TANK ASSY



## SOLUTION TANK ASSY

Item	Ref. No.	Qty	Description
1	56264119	1	Clamp, Power Cord <b>(Clean Track L18 only)</b>
2	56264137	1	Screen
3	56262190	1	Barb
4	56002003	2	Scr, Pan Phil 8-32 x .50 <b>(Clean Track L18 only)</b>
5	56002124	2	Scr, Pan Phil 10-24 x .62
6	56002145	1	Scr, Pan Phil 1/4-20 x .50 <b>(Clean Track L18 only)</b>
7	56219932	3	Clamp, Hose SAE #6
8	56407267	1	Hose, Spiral .500
9	56265132	1	Tank, Solution, 18 <b>(Clean Track L18)</b>
	56265130	1	Tank, Solution, 16 <b>(Clean Track S16)</b>
10	56387302	1	Tube PVC .500X11.00 E00604
11	56109565	1	Barb, Adapter 1/2 x 3/8NPT
12	56486112	1	Clamp, P <b>(Clean Track L18 only)</b>
13	56109566	1	Barb, 90 Elbow 1/2 x 3/8NPT
14	56331154	1	Clamp, Plastic
15	56265206	1	Lid, Solution Tank <b>(Clean Track S16 only)</b>

# LADDER DIAGRAM



## LADDER DIAGRAM

Item	Ref. No.	Qty	Description
D1	56265103	1	Rectifier, 35 Amp
F1	56265056	1	Circuit Breaker, 5 Amp
L1	56265037	1	Valve, Solenoid 115V <b>TSBUS2007-966</b>
M1	56265096	1	Motor Vacuum, 120V
[ ]	56264453	1	Carbon Brushes for 56265096 (one pair)
M2	56265075	1	Motor, Brush 115 VDC, 1/3 HP
M3	56265224	1	Pump 115V
S1	56381823	1	Switch, Mode Selection
S2	56265053	1	Switch, Intermittent Spray
S3	56381824	1	Switch, Constant Spray ( <b>Clean Track L18 only</b> )
[ ]	56265187	1	Wire Assembly
[ ]	56265102	1	Wire Assembly
[ ]	56265087	1	Wire Assembly
[ ]	56265108	2	Wire Assembly ( <b>Clean Track L18 only</b> )

[ ] = Not Shown

**ACCESSORIES****OPTIONAL BRUSHES**

Item	Ref. No.	Qty	Description
<b>16" Optional Brushes</b>			
	56265044	1	Brush Assembly 16
	56265175	1	Brush Assembly Blue 16 Hard
	56265176	1	Brush Assembly 240 Grit 16
<b>18" Optional Brushes</b>			
	56265099	1	Brush Assembly 18
	56265177	1	Brush Assembly Blue 18 Hard
	56265178	1	Brush Assembly 240 Grit 18

**ACCESSORY TOOLS**

Item	Ref. No.	Qty	Description
	56314402		Wand Assembly w/Soft and Hard Floor Tools
	56265173		Wand Assembly w/Soft Floor Tool
	56262209		Stand Up Wand
	56220109		Hand Tool
	56380377		Spray Tip (for 56220109)
	56220070		Upholstery Hand Tool
	56265174		15' Hose w/Waterline
	56265112		Locking Extension Cord
	56265368		8' Hose w/Waterline
	56265150		Hard Floor Tool
	56265309		Plug Adaptor Kit
	56265305		Drag Wand
	56250314		14" Scrub/Vac Tool



**Clarke<sup>®</sup>**

14600 21st Avenue North  
Plymouth, MN 55447-3408

[www.clarkeus.com](http://www.clarkeus.com)

Phone: 800-253-0367

Fax: 800-825-2753

©2014 Nilfisk-Advance, Inc.

---

**A Nilfisk-Advance Brand**