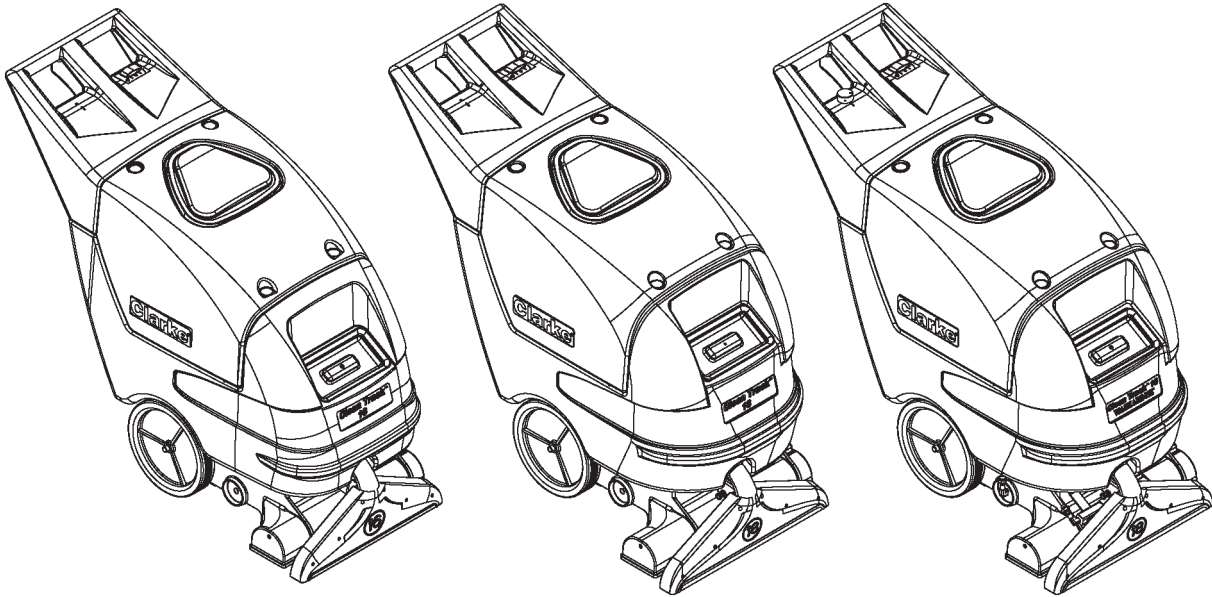


Clarke®

Clean Track® Clean Track® Clean Track® 18
16 18 WASH & RINSE®



Instructions for use and parts list Mode d'emploi et liste de pièces Instrucciones de uso y despiece

**MODELS: 56266000 (Obsolete), 56266001 (Obsolete), 56266002,
56266132 (Obsolete), 56266133 (Obsolete)**



READ THIS BOOK

LEA ESTE MANUAL

LISEZ CE MANUEL

EN English (A-2 – A-19)

ES Español (B-2 – B-19)

FR Français (C-2 – C-19)

This book has important information for the use and safe operation of this machine. Failure to read this book prior to operating or attempting any service or maintenance procedure to your Clarke machine could result in injury to you or to other personnel; damage to the machine or to other property could occur as well. You must have training in the operation of this machine before using it. If your operator(s) cannot read this manual, have it explained fully before attempting to operate this machine.

All directions given in this book are as seen from the operator's position at the rear of the machine.

TABLE OF CONTENTS

	Page
Introduction	A-3
Parts and Service	A-3
Nameplate	A-3
Uncrating the Machine.....	A-3
Important Safety Instructions.....	A-4
Grounding Instructions	A-5
Know Your Machine	A-6 – A-7
Preparing the Machine for Use	
Filling the Solution Tank.....	A-8
Before Using.....	A-8
Pre-Spraying the Carpet.....	A-8
Plan for Cleaning	A-8
Operation	
Operating the Machine	A-9
Using Attachments.....	A-9
Hard Floor Kits.....	A-9
After Use	
After Using the Machine	A-10
Maintenance	
Maintenance Schedule	A-10
Vacuum Shoe Maintenance.....	A-10
Spray Nozzle Maintenance.....	A-11
Solution Screen Maintenance.....	A-11
Power Cord Maintenance	A-11
Adjusting The Brush Pressure	A-11
Power Brush Maintenance	A-11
Removing the Brush	A-11
Authorized Personnel Maintenance	
Solution Pump Removal	A-12
Solenoid Valve Removal (standard models).....	A-13
Solenoid Valve Removal (Wash & Rinse™ model)	A-14
DEMA Injector Maintenance (Wash & Rinse™ model).....	A-15
Brush Motor Removal.....	A-16
Brush Drive Belt Replacement	A-17
Vacuum Motor Maintenance.....	A-18
Troubleshooting	A-19
Technical Specifications	A-19

INTRODUCTION

This manual will help you get the most from your Clarke® carpet extractor. Read it thoroughly before operating the machine.

This product is intended for commercial use only.

PARTS AND SERVICE

Repairs, when required, should be performed by your Authorized Clarke Service Center, who employs factory trained service personnel, and maintains an inventory of Clarke original replacement parts and accessories.

Call the CLARKE DEALER named below for repairs or service. Please specify the Model and Serial Number when discussing your machine.

MODIFICATIONS

Modifications and additions to the cleaning machine which affect capacity and safe operation shall not be performed by the customer or user without prior written approval from Nilfisk-Advance Inc. Unapproved modifications will void the machine warranty and make the customer liable for any resulting accidents.

NAMEPLATE

The Model Number and Serial Number of your machine are shown on the Nameplate, located on the rear base of the machine. This information is needed when ordering repair parts for the machine. Use the space below to note the Model Number and Serial Number of your machine for future reference.

MODEL _____

SERIAL NUMBER _____

UNCRATING THE MACHINE

When the machine is delivered, carefully inspect the shipping carton and the machine for damage. If damage is evident, save the shipping carton so that it can be inspected. Contact the Clarke Customer Service Department immediately to file a freight damage claim.

WARNING!

The Products sold with this Manual contain or may contain chemicals that are known to certain governments (such as the State of California, as identified in its Proposition 65 Regulatory Warning Law) to cause cancer, birth defects or other reproductive harm. In certain locations (including the State of California) purchasers of these Products that place them in service at an employment job site or a publicly accessible space are required by regulation to make certain notices, warnings or disclosures regarding the chemicals that are or may be contained in the Products at or about such work sites. It is the purchaser's responsibility to know the content of, and to comply with, any laws and regulations relating to the use of these Products in such environments. The Manufacturer disclaims any responsibility to advise purchasers of any specific requirements that may be applicable to the use of the Products in such environments.




IMPORTANT SAFETY INSTRUCTIONS

This machine is only suitable for commercial use, for example in hotels, schools, hospitals, shops and offices other than normal residential housekeeping purposes.

When using an electrical appliance, basic precautions should always be followed, including the following:



Read all instructions before using this appliance.

-  **DANGER:** Failure to read and observe all **DANGER** statements could result in severe bodily injury or death. Read and observe all **DANGER** statements found in your Owner's Manual and on your machine.
-  **WARNING:** Failure to read and observe all **WARNING** statements could result in injury to you or to other personnel; property damage could occur as well. Read and observe all **WARNING** statements found in your Owner's Manual and on your machine.
-  **CAUTION:** Failure to read and observe all **CAUTION** statements could result in damage to the machine or to other property. Read and observe all **CAUTION** statements found in your Owner's Manual and on your machine.

WARNING! To reduce the risk of fire, electric shock, or injury:

1. Do not leave the appliance when it is plugged in. Unplug the unit from the outlet when not in use and before servicing.
2. To avoid electric shock, do not expose to rain. Use and store indoors only.
3. Do not allow to be used as a toy. Close attention is necessary when used near children.
4. Use only as described in this manual. Use only the manufacturer's recommended attachments.
5. Do not use with damaged cord or plug. If the appliance is not working as it should be, has been dropped, damaged, left outdoors or dropped into water, return it to a service center.
6. Do not pull or carry by the cord, use the cord as a handle, close a door on the cord, or pull the cord around sharp edges or corners. Do not run the appliance over the cord. Keep the cord away from heated surfaces.
7. Do not unplug by pulling on the cord. To unplug, grasp the plug, not the cord.
8. Do not handle the plug, cord or appliance with wet hands.
9. Do not put any object into openings. Do not use with any opening blocked; keep free of dust, lint, hair, and anything that may reduce air flow.
10. Keep loose clothing, hair, fingers, and all parts of body away from openings and moving parts.
11. Do not pick up anything that is burning or smoking, such as cigarettes, matches, or hot ashes, or any health endangering dusts.
12. Turn off all controls before unplugging.
13. Use extra care when cleaning on stairs.
14. Do not use to pick up flammable or combustible liquids such as petrol or use in areas where they may be present.
15. If foam or liquid comes out with the vacuum exhaust, switch power off immediately. Contact Clarke if the problem persists.
16. Liquid ejected at the spray nozzle could be dangerous as a result of its temperature, pressure or chemical content.
17. Only use the brushes provided with the appliance or those specified in the instruction manual. The use of other brushes may impair safety.
18. Connect to properly grounded outlet. See "Grounding Instructions".
19. This machine is not intended for use by persons (including children) with reduced physical, sensory or mental capabilities, or lack of experience and knowledge.

SAVE THESE INSTRUCTIONS

120VAC GROUNDING INSTRUCTIONS

This appliance must be grounded. If it should electrically malfunction, grounding provides a path of least resistance for electric current to reduce the risk of electric shock. This appliance is equipped with a cord having an equipment-grounding conductor and grounding plug. The plug must be plugged into an appropriate outlet that is properly installed and grounded in accordance with all local codes and ordinances.

⚠ DANGER! Improper connection of the equipment-grounding conductor can result in a risk of electric shock. Check with a qualified electrician or service person if you are in doubt as to whether the outlet is properly grounded. Do not modify the plug provided with the appliance. If it will not fit the outlet, have a proper outlet installed by a qualified electrician.

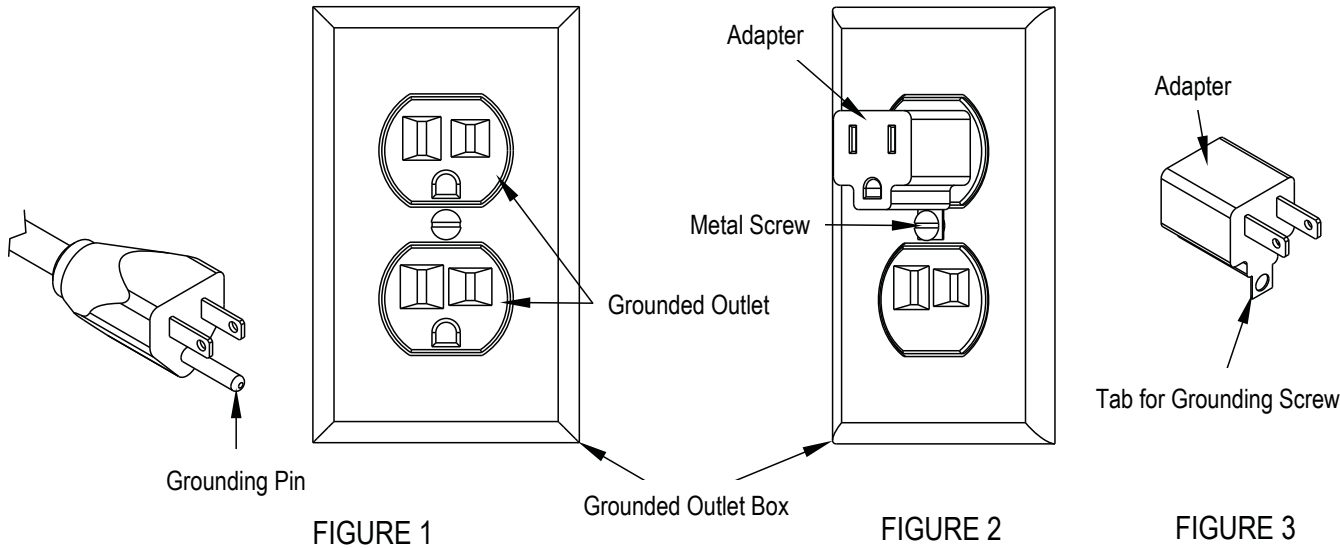
This appliance is for use on a nominal 120-volt circuit, and has a grounding plug that looks like the plug illustrated in Figure 1 below. A temporary adapter illustrated in Figures 2 and 3 may be used to connect this plug to a 2-pole receptacle as shown in Figure 2 if a properly grounded outlet is not available. The temporary adapter should be used only until a properly grounded outlet (Figure 1) can be installed by a qualified electrician. The green-colored rigid ear, tab, or the like extending from the adapter must be connected to a permanent ground such as a properly grounded outlet box cover. Whenever the adapter is used, it must be held in place by a metal screw. Grounding adapters are not approved for use in Canada.

Replace the plug if the grounding pin is damaged or broken.

The Green (or Green/Yellow) wire in the cord is the grounding wire. When replacing a plug, this wire must be attached to the grounding pin only.

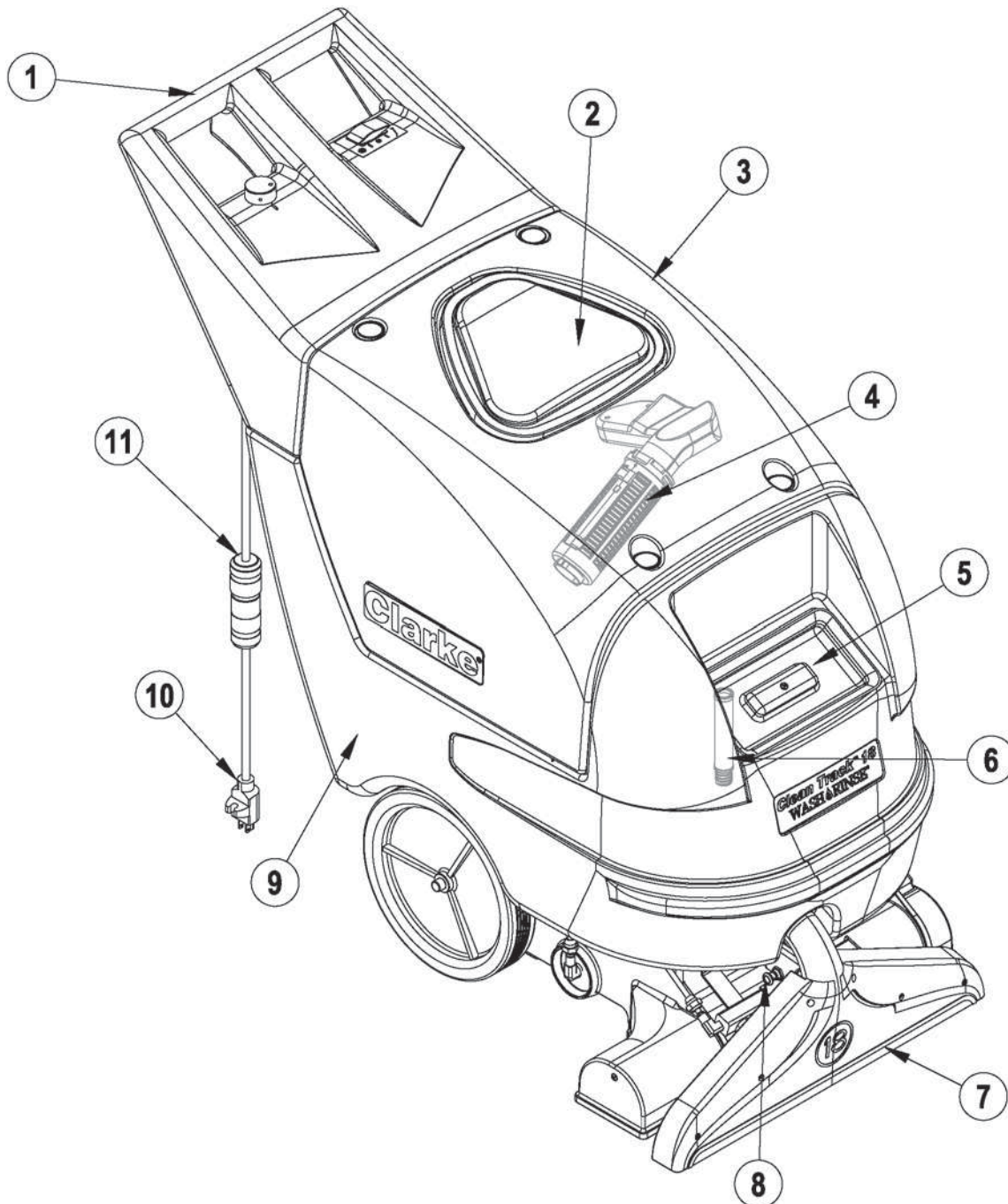
Extension cords connected to this machine should be 12 gauge, three-wire cords with three-prong plugs and outlets. DO NOT use extension cords more than 50 feet (15 m) long.

PLEASE NOTE: FOR NORTH AMERICA ONLY



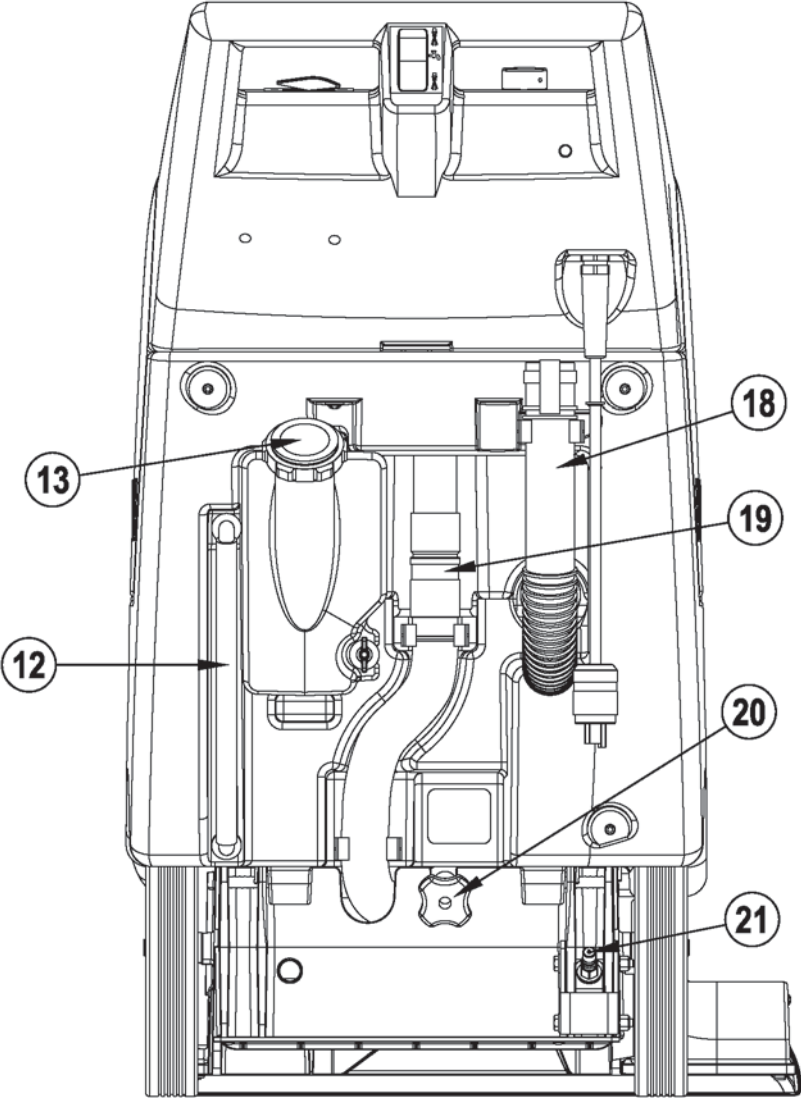
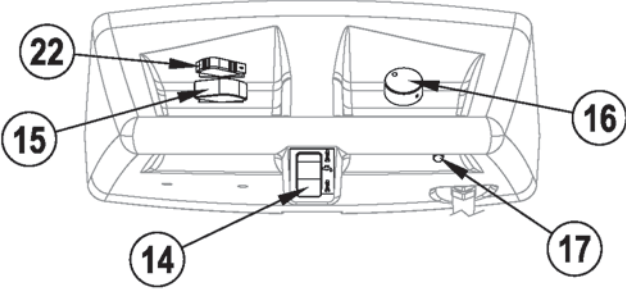
KNOW YOUR MACHINE

- 1 Operator's Handle
- 2 Recovery Tank Lid
- 3 Recovery Tank
- 4 Automatic Float Shut-Off
- 5 Solution Tank Lid
- 6 Solution Screen
- 7 Vacuum Shoe
- 8 Release Pin for Vacuum Shoe
- 9 Solution Tank
- 10 Power Cord (Clean Track® 18 Wash & Rinse)
- 11 Pigtail Cord (Full Length Cord on Clean Track® 16 & 18)



KNOW YOUR MACHINE (CONTINUED)

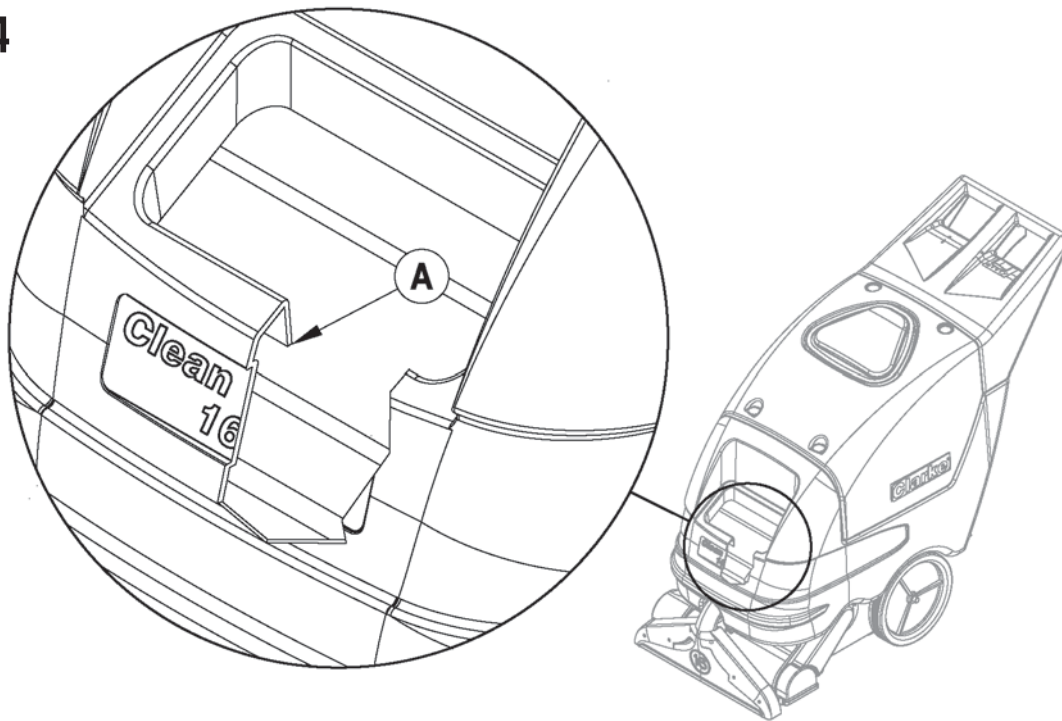
- 12 Solution Drain Hose / Level Indicator
- 13 Chemical Bottle (Clean Track® 18 Wash & Rinse)
- 14 Solution Switch (Constant / Intermittent)
- 15 Power & Extract / Accessory Switch
- 16 Variable Flow Control Knob (Clean Track® 18 Wash & Rinse)
- 17 Brush Motor Circuit Breaker
- 18 Recovery Tank Drain Hose
- 19 Recovery Hose Connection
- 20 Brush Pressure Control Knob
- 21 Accessory Solution Port
- 22 Main Power Switch (230V)



PREPARING THE MACHINE FOR USE**FILLING THE SOLUTION TANK**

- 1 Turn the Power Switch (15 / 22) to OFF (O) and then unplug the machine.
- 2 Remove the Solution Tank Lid (5).
- 3 Read the dilution instructions on the chemical container. Then calculate the proper amount of chemical to mix with your machine's solution tank capacity of water. 18" models: 13 gallons (49.21 liters) / 16" model: 8 gallons (30.28 liters).
- 4 **See Figure 4.** Pour the chemical into the Solution Tank (9) and fill the tank with hot water (maximum temperature 54°C/130°F). **NOTE:** Do not overfill the solution tank. The maximum fill point is when the solution level reaches the bottom of the Lip (A) on the front of the tank opening.
Clean Track® 18 Wash & Rinse: Fill the Chemical Bottle (13) on the rear of the machine. Do not pour any chemical into the solution tank.
- 5 Reinstall the Solution Tank Lid (5).

⚠ CAUTION! Use low-sudsing, liquid detergents designed for carpet extraction.

FIGURE 4**BEFORE USING THE CLEAN TRACK®**

Thoroughly vacuum the carpet to be cleaned before using the Clean Track® automatic extractor.

PRE-SPRAYING THE CARPET

Pre-spray spots and heavy traffic areas before extracting. Use a hand-held bottle sprayer or a pressurized "Hudson" type sprayer. Mix the pre-spray according to the chemical manufacturer's directions.

PLAN FOR CLEANING

Before you begin extracting, look at the area to be cleaned and plan your work. Divide the space into sections. Overlap each pass 2 inches (5 cm).

OPERATING THE MACHINE

- 1 Follow the instructions in the *Preparing the Machine for Use* section of this manual.
- 2 Push down on the Brush Pressure Control Knob (20) to release the machine from the storage position.
- 3 Adjust the Variable Flow Control Knob (16) to high flow, low flow or accessory mode (Clean Track® 18 Wash & Rinse only).
 Low Flow: Lower solution flow, recommended for frequent surface cleaning.
 High Flow: Higher solution flow, recommended for less frequent deep cleaning.
 Accessory: No solution flow from front nozzles.
- 4 Plug the machine into a properly grounded outlet. To start the vacuum motor, solution pump and brush motor...
 Turn the Power & Extract / Accessory Switch (15) to the extract On (I) position (brush symbol). Turn the Main Power Switch (22) ON (I) on 230V models.
- 5 Adjust the brush pressure. Turn the Brush Pressure Control Knob (20) counter-clockwise to decrease the brush pressure and clockwise to increase the brush pressure. The machine should assist, but not propel itself (on carpet) when the brush is properly adjusted.
- 6 Solution is dispensed in two ways.
 - When the Solution Switch (14) is in the “constant” position, solution is dispensed continuously.
 - When the Solution Switch (14) is in the “intermittent” position, solution is dispensed only while holding the switch.
- 7 Begin cleaning by pulling the machine along in a straight line and overlap each pass by 2 inches (5 cm). Release the Solution Switch (14) if holding it in “intermittent” position or turn it off if in “constant” position prior to turns to ensure complete extraction of solution from carpet.
- 8 Watch the fluid entering the Recovery Tank. If there is a large amount of suds in the recovery tank, add a defoamer chemical to the recovery tank.



CAUTION! Empty the recovery tank before the fluid or foam enters the vacuum motor.

If there is little or no fluid entering the recovery tank, check the Solution Drain Hose / Level Indicator (12), the solution tank may be empty. Refill the solution tank with water and the proper ratio of cleaning chemical. Empty the recovery tank each time the solution tank needs to be refilled.

- 9 The recovery tank has an Automatic Float Shut-Off (4) to block the vacuum system when the recovery tank is full. You can tell when the float closes by the sudden change in the sound of the vacuum motor. When the float closes, the recovery tank must be emptied. The machine can continue to dispense solution, but **will not** pick up water with the float closed.
- 10 When the operator wants to stop cleaning or the recovery tank is full, release or turn off the Solution Switch (14). Then turn the power switch Off (O) and unplug the machine.
- 11 Push the machine to a designated waste water “DISPOSAL SITE” and empty the recovery tank. To empty, pull the Recovery Tank Drain Hose (18) from its rear storage hanger, then remove the plug (hold the end of the hose above the water level in the tank to avoid sudden, uncontrolled flow of waste water). Refill the solution tank and continue cleaning.

USING ATTACHMENTS

To use accessory tools, disconnect the recovery hose at the Recovery Hose Connection (19). Attach the accessory's recovery hose to the machine's Recovery Hose. Attach the accessory's solution hose to the machine's Accessory Solution Port (21). When using accessory tools place the Extract/Accessory Switch (15) in the accessory position (wand symbol). On the Clean Track® 18 Wash & Rinse model you need to also turn the Variable Flow Control Knob (16) to the accessory position (wand symbol).

See your Clarke Distributor for accessories that may be used with the Clean Track®.

HARD FLOOR KITS

The vacuum shoe can be removed and replaced with an optional Squeegee Tool (A) for use on hard floors. See Figure 5. The vacuum shoe can be removed by pulling on the Release Pin (8) and sliding the Vacuum Shoe (7) off. Then disconnect the Recovery Hose (B) from the vacuum shoe and connect to the squeegee tool. Attach the squeegee tool to the machine at the same mounting location used for the vacuum shoe, simply pull the release pin and slide the squeegee tool into place.

See your Clarke Distributor for accessories that may be used with the Clean Track®.

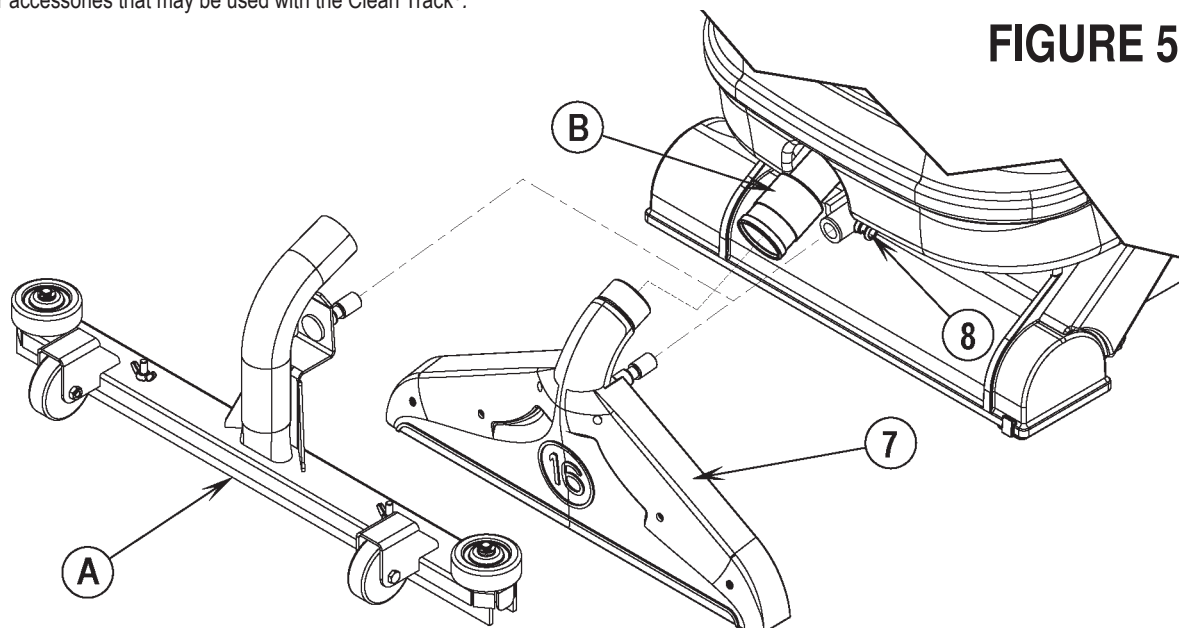


FIGURE 5

AFTER USING THE MACHINE

- 1 Turn the Power Switch OFF (O) and unplug the Power Cord. Coil the cord around the Operator Handle (1).
- 2 To empty the solution tank, pull the Solution Drain Hose (12) off the upper hose barb. Direct the hose to a designated waste water “DISPOSAL SITE”. Rinse the tank with clean water. Inspect the solution hoses; replace if kinked or damaged. Inspect the Solution Screen (6).
- 3 To empty the recovery tank, take the Recovery Tank Drain Hose (18) off its hanger. Direct the hose to a designated waste water “DISPOSAL SITE” and remove the plug (hold the end of the hose above the water level in the tank to avoid sudden, uncontrolled flow of waste water). Rinse the tank with clean water. Inspect the recovery and drain hoses; replace if kinked or damaged.
- 4 Remove the brush, rinse with warm water and remove any built-up string, hair or carpet fibers.
- 5 Disconnect the Recovery Hose (19) from the Recovery Tank and flush with warm water to wash any debris out of the Recovery Hose and Vacuum Shoe.
- 6 Wipe the machine with a damp cloth. Do not use abrasive chemicals or solvents.
- 7 Perform any required maintenance before storage.

MAINTENANCE SCHEDULE

MAINTENANCE ITEM	Daily	Weekly	Monthly	Yearly
Check / Clean Power Brush	•			
Check / Clean Tanks & Hoses	•			
Check / Clean Vacuum Shut-Off Float	•			
Clean Vacuum Shoe	•			
Inspect & Clean Solution Screen		•		
Clean Spray Nozzles			•	
*Check Carbon Brushes				•

* Have a Clarke service technician check the vacuum motor carbon brushes once a year or after 300 operating hours. The brush motor carbon brushes check every 500 hours or once a year.

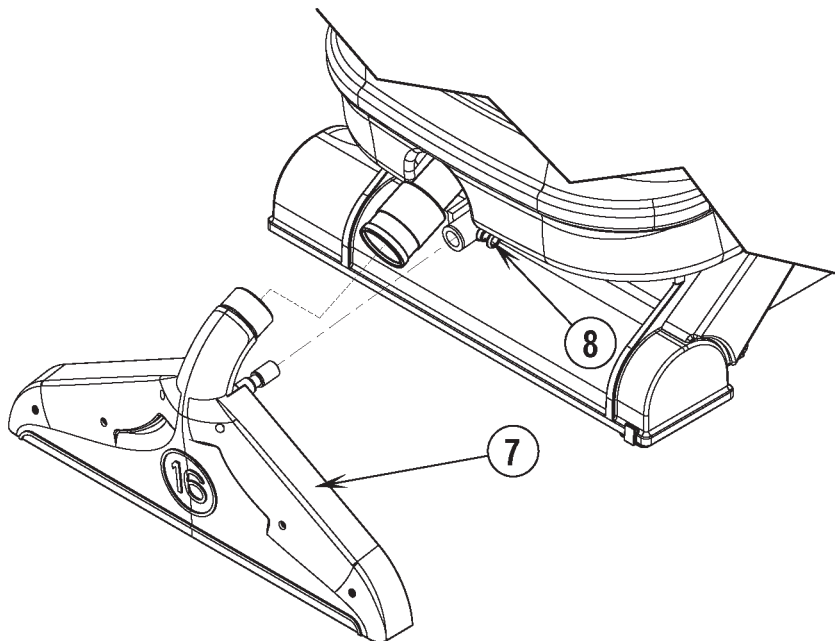
⚠ IMPORTANT! Motor damage resulting from failure to service the carbon brushes is not covered under warranty. See the Limited Warranty Statement.

- 8 Store the machine indoors in a clean, dry place with the tank lid open. Keep from freezing.
- 9 Place the machine in the storage position. This will prevent the brush from taking a “set”, and will increase the brush life and maintain the performance of the brush. Tip the machine back to lift the vacuum shoe off of the floor, then push in and up on the Brush Pressure Control Knob (20) until the knob locks into place.

VACUUM SHOE MAINTENANCE

Check the vacuum shoe daily. Remove any built-up string, hair or carpet fibers. See Figure 6. The vacuum shoe can be removed by pulling on the Release Pin (8) and sliding the Vacuum Shoe (7) off. Then disconnect the recovery hose from the shoe.

FIGURE 6



SPRAY NOZZLE MAINTENANCE

Remove the Spray Nozzles (A) once a week. See Figure 7. Soak the nozzles overnight in vinegar to remove chemical deposits. **NOTE:** Remove by gripping and turning a quarter turn counter-clockwise.

SOLUTION SCREEN MAINTENANCE

Once a week (or more often if necessary), clean the Solution Screen (6). Drain the solution tank. Open the Solution Tank Lid (5), reach inside the solution tank and pull up on the solution filter to remove.

POWER CORD MAINTENANCE

Once a week (or more often if necessary), check the power cord for cracked or damaged insulation, exposed wires in the cord or plug, and damaged or missing ground pin. Repair or replace damaged cord or plug **immediately**.

ADJUSTING THE BRUSH PRESSURE

Simply turn the Brush Pressure Adjustment Knob (20) clockwise to increase brush pressure and counter-clockwise to decrease the brush pressure.

POWER BRUSH MAINTENANCE

Check the brush daily. Remove any built-up string, hair or carpet fibers. When the machine is not in use it should be placed in the storage position. This will prevent the brush from taking a set which will increase the brush life and maintain the performance of the brush.

REMOVING THE BRUSH

⚠ CAUTION!

Turn the power switch off (O) and unplug the machine, before changing the brush.

- 1 Empty both the recovery and solution tanks and tip the machine over onto its right side.
- 2 See Figure 7. Rotate the brush until the Drive Lug (B) is in a position where the fins on the drive lug are perpendicular to the bottom of the machine.
- 3 Grab the brush at the end with the Brush Retainer Clip (C) and pull straight out.
- 4 Install a new brush at the drive lug end first then push in the other brush end in until it snaps into the retainer clip.

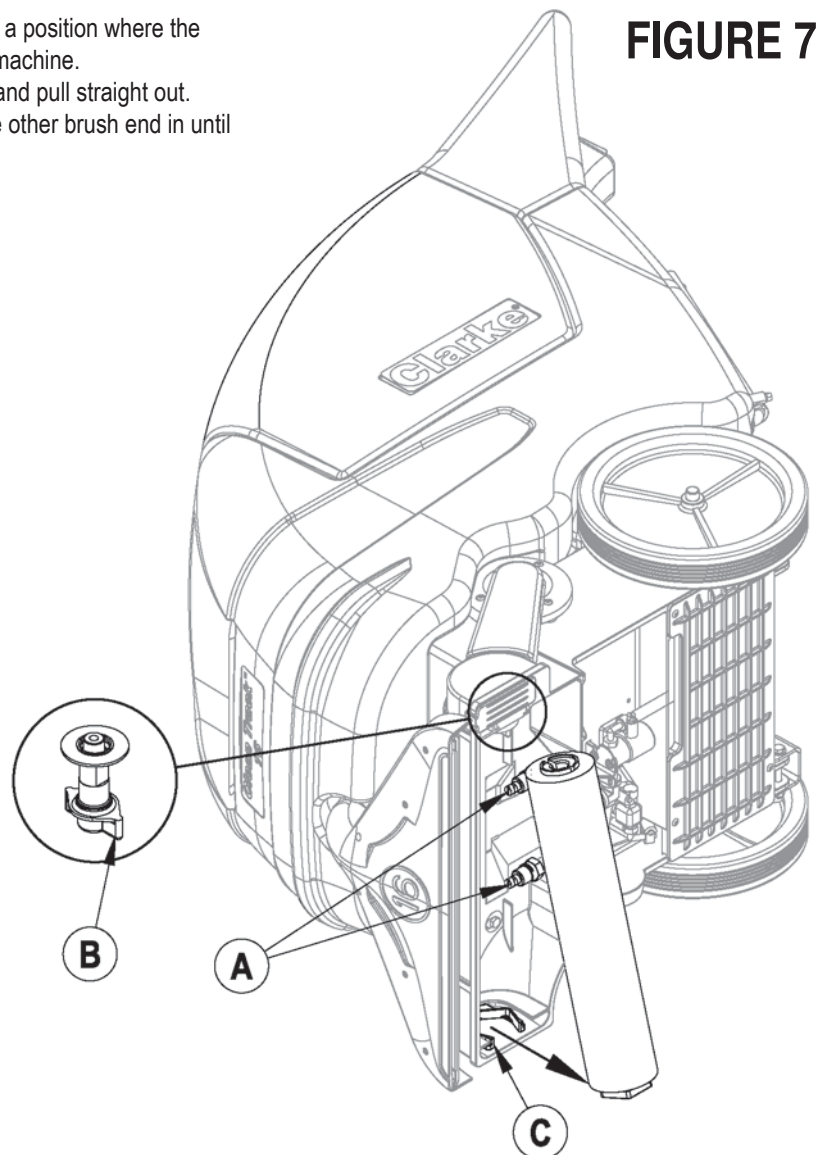


FIGURE 7

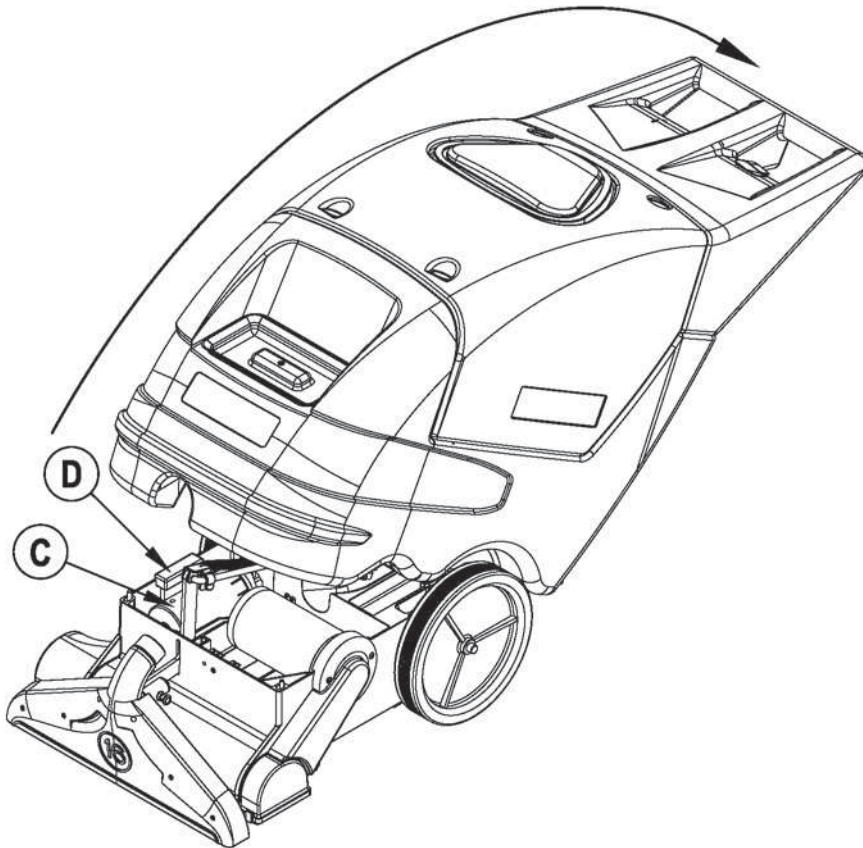
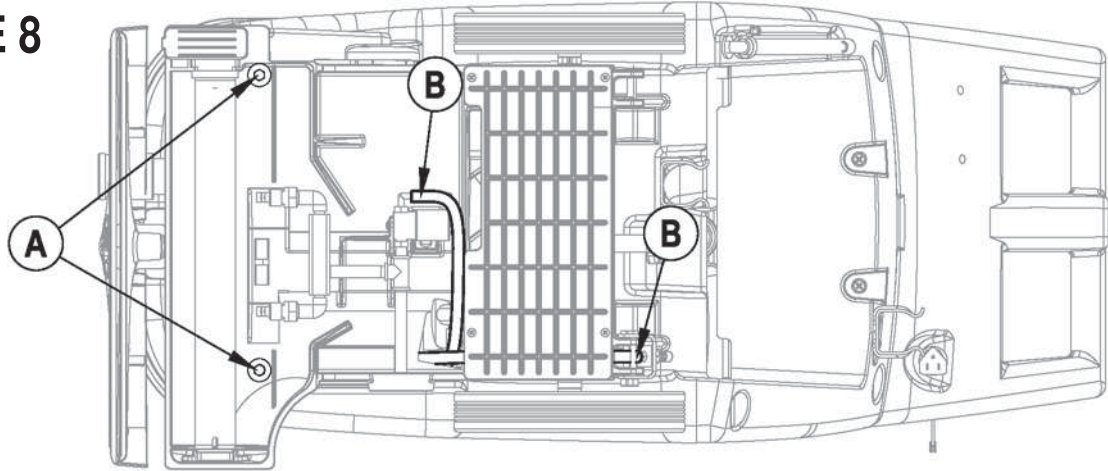
AUTHORIZED PERSONNEL MAINTENANCE

SOLUTION PUMP REMOVAL

- 1 Drain the recovery and solution tanks and tip the machine over onto its side.
- 2 **See Figure 8.** Remove the (2) (A) Screws and disconnect both bottom solution hoses (B) from the Solution Pump.
- 3 Tip the machine back upright, grab hold of the Operator's Handle (1) and push down to tilt the entire recovery / solution tank assembly back.

BOTTOM VIEW OF MACHINE

FIGURE 8



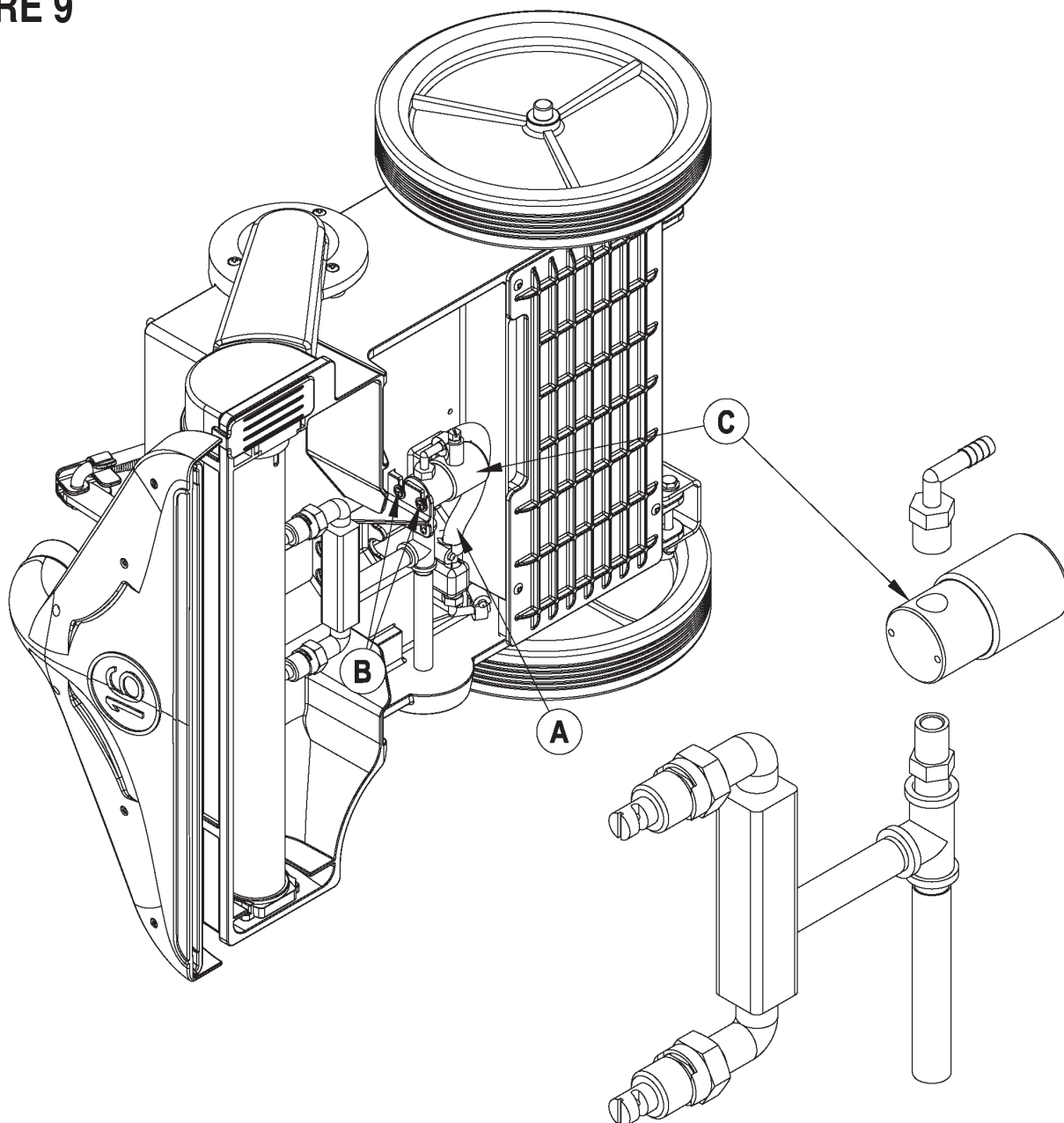
- 4 Disconnect the top solution hose and the pump wiring connectors. The Pump (C) can now be lifted straight up and out of the base assembly. **NOTE:** Make note of the orientation of the pump mounts (D) for reassembly. Make note of the connection locations of the wiring for reassembly.
- 5 Follow the above steps in reverse order to install the pump.

AUTHORIZED PERSONNEL MAINTENANCE

SOLENOID VALVE REMOVAL (STANDARD MODELS)

- 1 Drain the recovery and solution tanks and tip the machine over onto its side.
- 2 **See Figure 8.** Remove the (2) (A) Screws.
- 3 Tip the machine back upright, grab hold of the Operator's Handle (1) and push down to tilt the entire recovery / solution tank assembly back.
- 4 Disconnect the (2) solenoid valve wires. **NOTE:** Make note of their connection locations for reassembly.
- 5 **See Figure 9.** Tip the machine back over onto its side and disconnect Solution Hose (A) from the Solution Pump.
- 6 Remove the (2) (B) Screws then remove the Nozzle Assembly from the machine. The Solenoid Valve (C) can now easily be disassembled from the Nozzle Assembly.
- 7 Follow the above steps in reverse order to install the solenoid valve.

FIGURE 9

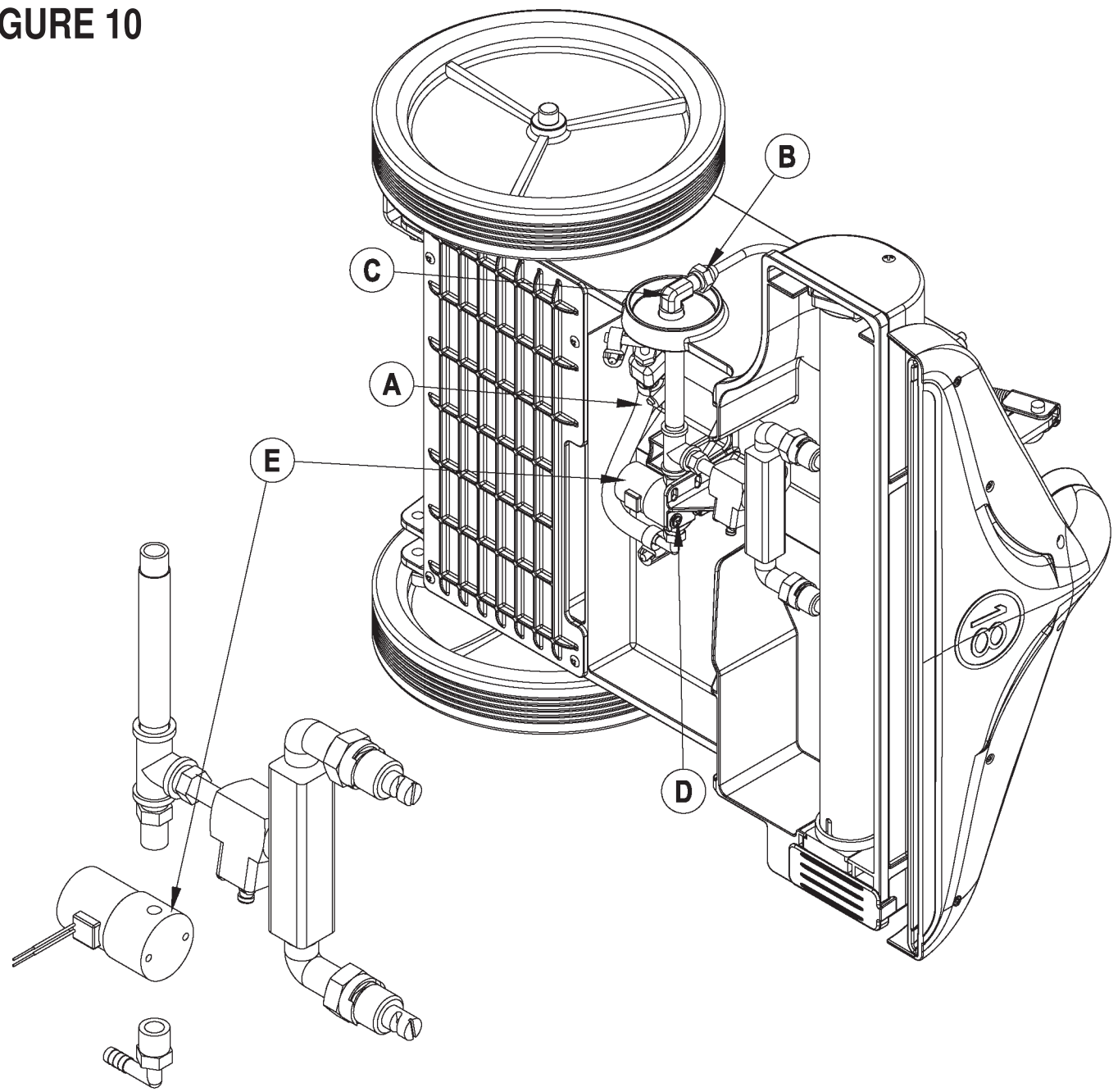


AUTHORIZED PERSONNEL MAINTENANCE

SOLENOID VALVE REMOVAL (WASH & RINSE MODEL)

- 1 Drain the recovery and solution tanks and tip the machine over onto its side.
- 2 **See Figure 8.** Remove the (2) (A) Screws.
- 3 Tip the machine back upright, grab hold of the Operator's Handle (1) and push down to tilt the entire recovery / solution tank assembly back.
- 4 Disconnect the (2) solenoid valve wires. **NOTE:** Make note of their connection locations for reassembly.
- 5 **See Figure 10.** Tip the machine back over onto its side and disconnect Solution Hose (A) from the Solution Pump.
- 6 Disconnect Tube Connector (B) and remove Elbow (C).
- 7 Remove the (2) (D) Screws then remove the Nozzle Assembly from the machine. The Solenoid Valve (E) can now easily be disassembled from the Nozzle Assembly.
- 8 Follow the above steps in reverse order to install the solenoid valve.

FIGURE 10



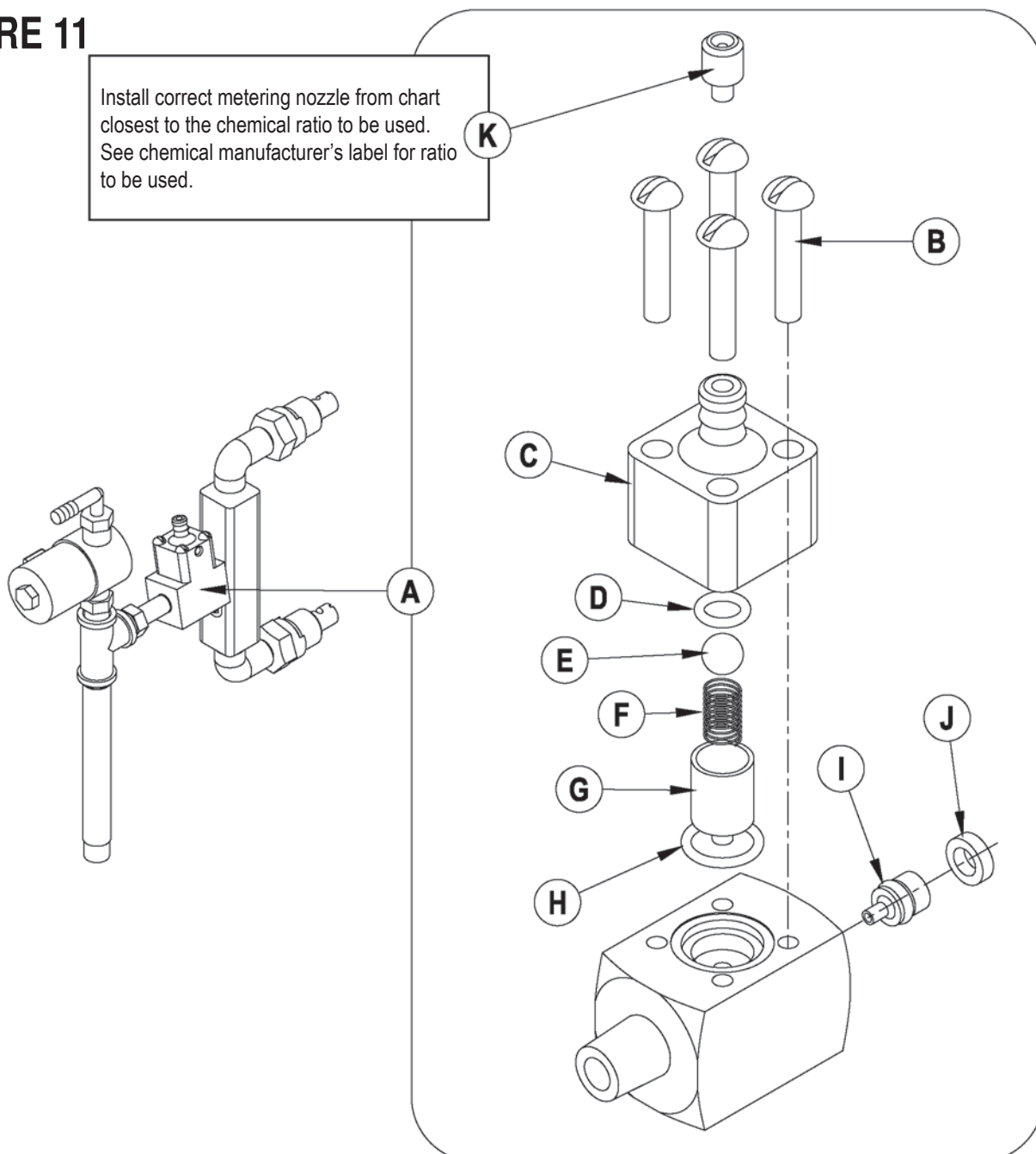
AUTHORIZED PERSONNEL MAINTENANCE

DEMA INJECTOR MAINTENANCE (WASH & RINSE MODEL)

- 1 Follow steps 1 through 7 of the SOLENOID VALVE REMOVAL (WASH & RINSE MODEL) section.
- 2 **See Figure 11.** Disassemble the DEMA Injector (A) from the Nozzle Assembly.
- 3 Remove the (4) Screws (B) and disassemble components (C, D, E, F, G, H, I & J). Clean all components and reassemble. **NOTE:** If there are lime deposits inside the injector soak all parts in a deliming agent to remove the deposits.
- 4 Reassemble the Nozzle Assembly and follow steps 1 through 7 of the SOLENOID VALVE REMOVAL (WASH & RINSE MODEL) section in reverse order to reassemble.

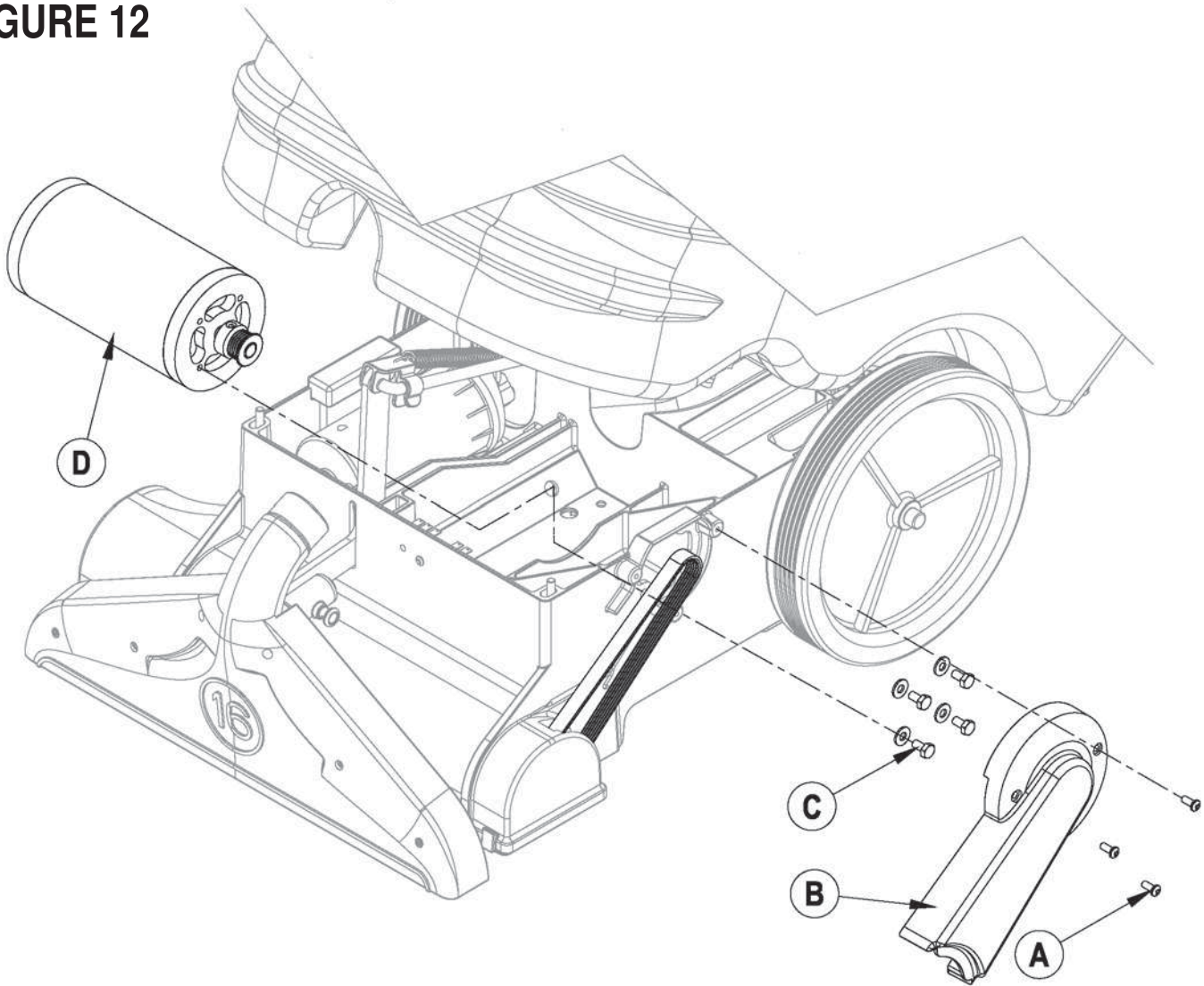
Injector Metered Nozzles (K)		
Tip Color	Ratio	OZ / GAL (nominal)
Tan	102:1	1
Orange	75:1	1.5
Turquoise (installed from factory)	60:1	2
Pink	43:1	3

FIGURE 11



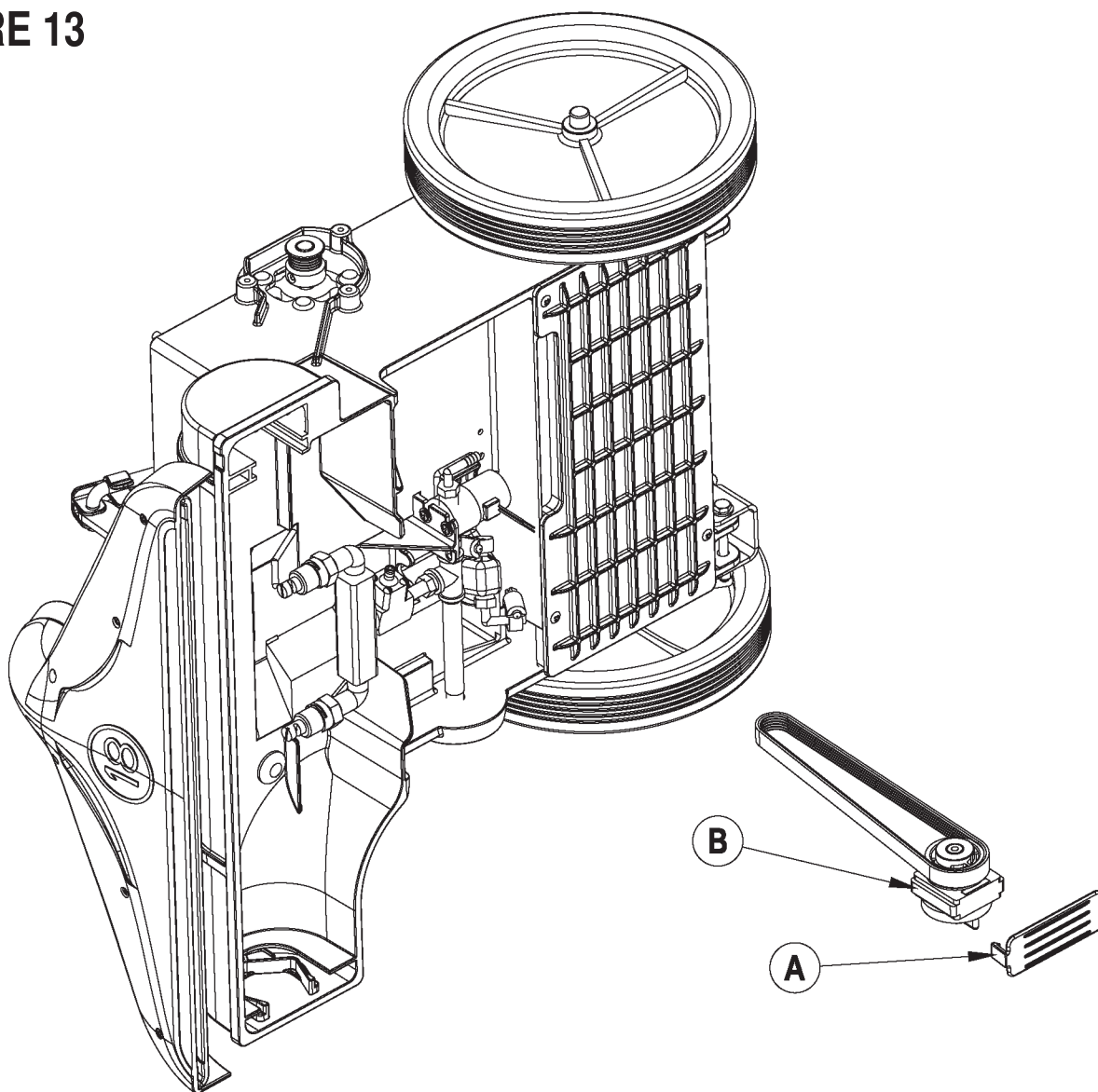
AUTHORIZED PERSONNEL MAINTENANCE**BRUSH MOTOR REMOVAL**

- 1 Drain the recovery and solution tanks and tip the machine over onto its side.
- 2 **See Figure 8.** Remove the (2) **(A)** Screws.
- 3 Tip the machine back upright, grab hold of the Operator's Handle **(1)** and push down to tilt the entire recovery / solution tank assembly back.
- 4 **See Figure 12.** Remove the (3) **(A)** Screws and then remove the Belt Guard **(B)**.
- 5 Remove the Belt from the motor pulley and then remove the (4) **(C)** Screws and Washers.
- 6 Disconnect the brush motor wiring and remove the Brush Motor **(D)** from the machine. **NOTE:** Make note of wire connection locations for reassembly.
- 7 Follow the above steps in reverse order to install the brush motor. **NOTE:** Refer to Instruction Sheet 56040906 for belt installation instructions.

FIGURE 12

AUTHORIZED PERSONNEL MAINTENANCE**BRUSH DRIVE BELT REPLACEMENT**

- 1 Drain the recovery and solution tanks and tip the machine over onto its side.
- 2 **See Figure 8.** Remove the (2) (A) Screws.
- 3 Tip the machine back upright, grab hold of the Operator's Handle (1) and push down to tilt the entire recovery / solution tank assembly back.
- 4 **See Figure 12.** Remove the (3) (A) Screws and then remove the Belt Guard (B).
- 5 Remove the Belt from the motor pulley.
- 6 Refer to the *Removing the Brush* section to remove the brush from the machine.
- 7 **See Figure 13.** Remove the Pulley Cover (A) and then slide the Pulley Block and Belt (B) out the bottom of the base housing.
- 8 Follow the above steps in reverse order to install the belt. **NOTE:** Refer to Instruction Sheet 56040906 for belt installation instructions.

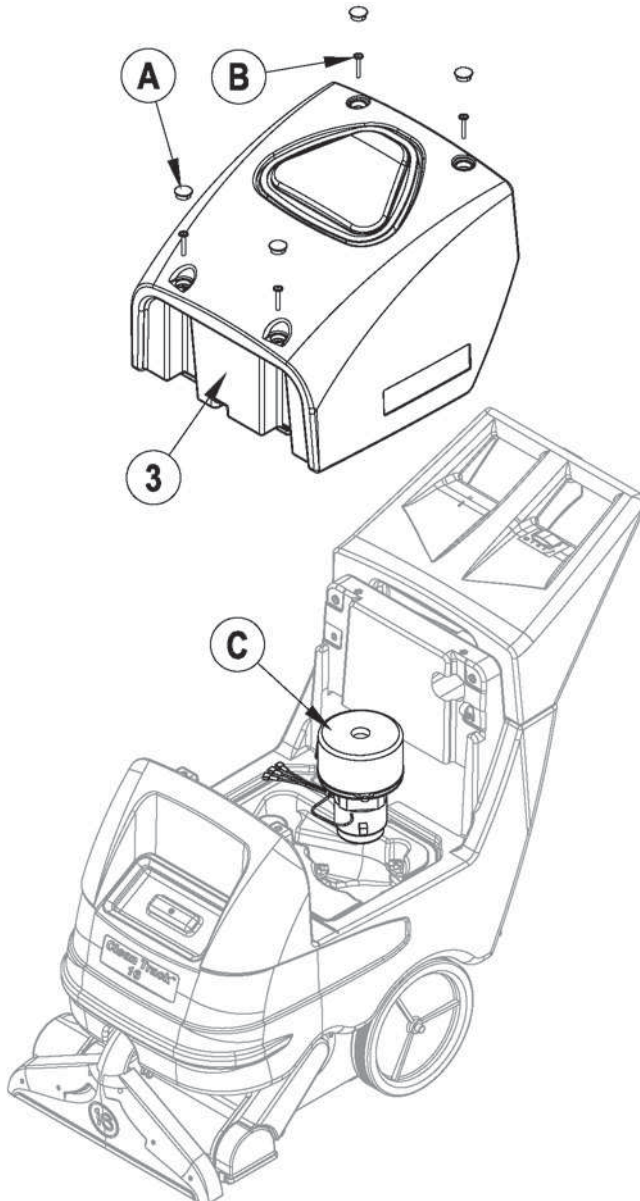
FIGURE 13

AUTHORIZED PERSONNEL MAINTENANCE**VACUUM MOTOR MAINTENANCE**

This machine has a vacuum motor that uses carbon brushes. The carbon brushes in the motor must be checked once a year, or every 300 hours of operation, whichever comes first. If either of the brushes is shorter than 3/8 inch, replace both of the carbon brushes.

To gain access to the vacuum motor:

- 1 Drain the recovery and solution tanks and tip the machine over onto its side.
- 2 **See Figure 8.** Remove the (2) (A) Screws.
- 3 Tip the machine back upright, grab hold of the Operator's Handle (1) and push down to tilt the entire recovery / solution tank assembly back.
- 4 Disconnect the vacuum motor wiring and tip the recovery / solution tank assembly back forward. **NOTE:** Make note of wire connection locations for reassembly.
- 5 Disconnect the Recovery Hose Connection (19).
- 6 **See Figure 14.** Remove the (4) Button Plugs (A) and the (4) Screws and Washers (B).
- 7 Lift the Recovery Tank (3) off of the machine.
- 8 Lift the Vacuum Motor (C) up and out of the Solution Tank.

FIGURE 14

TROUBLESHOOTING

If the possible causes listed below are not the source of trouble, it is a symptom of something more serious. Contact your Clarke Service Center immediately for service.

TRIPPING THE CIRCUIT BREAKER

The Circuit Breaker (17) is located on the Operator's Handle; it protects the electrical circuit and brush motor from damage due to overload conditions. If the circuit breaker is tripped try to determine the cause.

Brush Circuit Breaker (5 Amp) Possible cause may be:

- 1 Debris wrapped around the brush drive (remove debris)
- 2 Brush setting too low (adjust to proper brush setting)
- 3 Electrical short circuit (have your Clarke Service Center or qualified electrician check the machine)

Once the problem has been corrected, push the button in to reset the circuit breaker. If the button does not stay in, wait 5 minutes and try again. If the circuit breaker trips repeatedly, call your Clarke Service Center for service.

POOR WATER PICKUP

Possible causes may be:

- 1 Recovery Tank Full (empty recovery tank)
- 2 Open recovery tank drain hose (secure drain hose cap or replace)
- 3 Recovery hose not connected at vacuum shoe (connect hose to vacuum shoe)
- 4 Recovery hose is kinked or damaged (replace the hose)
- 5 Recovery tank cover gasket leak (replace gasket)
- 6 Debris caught in vacuum shoe or recovery hose (clean vacuum shoe and recovery hose)

INADEQUATE OR NO SOLUTION FLOW

Possible causes may be:

- 1 Solution tank empty (fill solution tank)
- 2 Solution lines or screen clogged (flush lines and screen)
- 3 Spray Nozzles Clogged (clean nozzles)
- 4 Faulty Pump (contact an authorized service person)
- 5 Variable Flow Control Knob incorrectly set on Wash & Rinse model (adjust knob)

INADEQUATE OR NO CHEMICAL INJECTION

Possible causes may be:

- 1 Chemical tank empty (fill chemical tank)
- 2 Chemical tank feed hose restricted or damaged (clean tank & remove hose restriction)
- 3 Injector check valve clogged (disassemble and clean)
- 4 Clogged or incorrect injector meter nozzle (clean & check chemical ratio / install correct nozzle)

TECHNICAL SPECIFICATIONS (as installed and tested on the unit)

Model		Clean Track® 16	Clean Track® 18	Clean Track® 18 Wash & Rinse
Model No.		56266000 56266132	56266001 56266133	56266002
Voltage/frequency	V/Hz	120 / 50-60 220-240 / 50-60	120 / 50-60 220-240 / 50-60	120 / 50-60
Rated Current	Amp	12.5 7	12.5 7	12.5
Sound Pressure Level (ISO 11201)	dB (A)/20µPa	68	68	68
Total Weight	lbs/kg	170 / 77	213 / 97	217 / 98
Dry Weight	lbs/kg	116 / 52	119 / 53	121 / 55
Vibrations at the Hand Controls (ISO 5349-1)	m/s ²	0.72m/s ²	0.72m/s ²	0.72m/s ²
Solution Tank Capacity		8 gal (30.3)	13 gal (49.2)	13 gal (49.2)
L x W x H	inches	44.5 x 19.5 x 37	44.5 x 19.5 x 37	44.5 x 19.5 x 37

ÍNDICE

	Página
Introducción	B-3
Componentes y servicio	B-3
Placa de identificación.....	B-3
Desembalaje de la máquina	B-3
Instrucciones importantes de seguridad.....	B-4
Instrucciones de conexión a tierra.....	B-5
Conozca su máquina	B-6 – B-7
Preparación de la máquina para su utilización	
Llenado del depósito de solución	B-8
Antes de la utilización.....	B-8
Pulverización previa de la moqueta.....	B-8
Planificación de la limpieza	B-8
Operación	
Manejo de la máquina	B-9
Uso de accesorios	B-9
Kits de suelo duro.....	B-9
Después de la utilización	
Después de la utilización de la máquina	B-10
Mantenimiento	
Programa de mantenimiento	B-10
Mantenimiento de la zapata de aspiración	B-10
Mantenimiento de la boquilla de pulverización.....	B-11
Mantenimiento de la criba de la solución	B-11
Mantenimiento del cable de alimentación	B-11
Ajuste de la presión del cepillo.....	B-11
Mantenimiento del cepillo de alimentación.....	B-11
Extracción del cepillo.....	B-11
Mantenimiento de personal autorizado	
Extracción de la bomba de solución.....	B-12
Extracción de la válvula de solenoide (modelos estándar)	B-13
Extracción de la válvula de solenoide (modelos Wash & Rinse™).....	B-14
Mantenimiento del inyector DEMA (modelo Wash & Rinse™).....	B-15
Extracción del motor del cepillo.....	B-16
Sustitución de la correa de tracción del cepillo	B-17
Mantenimiento del motor de aspiración.....	B-18
Localización de averías	B-19
Especificaciones técnicas.....	B-19

INTRODUCCIÓN

Este manual le ayudará a obtener el máximo rendimiento de su aspirador de moqueta Clarke®. Léalo con atención antes de utilizar la máquina.

Este producto está destinado exclusivamente a uso comercial.

COMPONENTES Y SERVICIO

Las reparaciones, cuando sean necesarias, deben ser realizadas por su Centro Autorizado de Servicio Clarke que utiliza personal de servicio formado en fábrica y lleva un inventario de piezas de repuesto y accesorios Clarke originales.

Llame al DISTRIBUIDOR CLARKE que se indica a continuación para lo referente a reparaciones y servicio. Por favor, especifique el Modelo y Número de Serie cuando hable de su máquina.

MODIFICACIONES

Las modificaciones y los agregados a la máquina de limpieza que afecten su capacidad y su funcionamiento seguro no serán realizados por el cliente o el usuario sin la autorización previa y por escrito de Nilfisk-Advance Inc. Las modificaciones que no cuenten con la aprobación correspondiente anularán la garantía de la máquina y harán que el cliente sea responsable de cualquier accidente resultante.

PLACA DE IDENTIFICACIÓN

El Número de Modelo y Número de Serie de la máquina se indican en la placa de identificación instalada en la parte trasera de la máquina. Esta información es necesaria a la hora de solicitar repuestos para la máquina. Utilice el espacio situado más abajo para anotar el Modelo y Número de Serie de la máquina para futuras consultas.

MODELO _____

NÚMERO DE SERIE _____

DESEMBALAJE DE LA MÁQUINA

Cuando reciba la máquina, examine con atención el cartón de embalaje y la máquina, con el fin de comprobar si existe algún daño. Si observa algún daño, guarde la caja de embalaje para que se pueda inspeccionar. Póngase en contacto inmediatamente con el Departamento de Servicio al Cliente de Clarke para presentar una reclamación por daños en transporte.

ADVERTENCIA:

Los Productos a la venta en este Manual contienen, o pueden contener, productos químicos reconocidos por algunos gobiernos (como el Estado de California, según lo indica en su Proposición 65, Ley de Advertencia Regulatoria) como causantes de cáncer, defectos de nacimiento u otros daños reproductivos. En algunas jurisdicciones (incluido el Estado de California), los compradores de estos Productos que los coloquen en servicio en un emplazamiento laboral o en un espacio de acceso público tienen la obligación regulatoria de realizar determinados avisos, advertencias o divulgaciones respecto de los productos químicos contenidos o posiblemente contenidos en los Productos utilizados en tal lugar. Es la responsabilidad del comprador conocer y cumplir con todas las leyes y reglamentaciones relacionadas con el uso de estos Productos en tales entornos. El Fabricante niega toda responsabilidad de informar a los compradores sobre requisitos específicos que pueden regir el uso de los Productos en tales entornos.

INSTRUCCIONES IMPORTANTES DE SEGURIDAD

Esta máquina es apta únicamente para su uso comercial, por ejemplo, en hoteles, colegios, hospitales, tiendas y oficinas, y no para la limpieza diaria del hogar.

Cuando utilice un aparato eléctrico se deben seguir instrucciones básicas, incluyendo las siguientes:



Lea todas y cada una de las instrucciones antes de utilizar el aparato.



PELIGRO: No leer y observar todas las indicaciones de **PELIGRO** podría resultar en lesiones personales graves o la muerte. Lea y observe todas las indicaciones de **PELIGRO** que se encuentran en el Manual de usuario y en su máquina.



ADVERTENCIA: No leer y observar todas las indicaciones de **ADVERTENCIA** podría resultar en lesiones personales así como en daños materiales. Lea y observe todas las indicaciones de **ADVERTENCIA** que se encuentran en el Manual de usuario y en su máquina.



PRECAUCIÓN: No leer y observar todas las indicaciones de **PRECAUCIÓN** podría resultar en daños a la máquina o a otros equipos. Lea y observe todas las indicaciones de **PRECAUCIÓN** que se encuentran en el Manual de usuario y en su máquina.



¡ADVERTENCIA! Para reducir el riesgo de incendio, descargas eléctricas o lesiones:

1. No abandone el aparato mientras esté enchufado. Desenchufe la unidad de la toma mural cuando no lo utilice o antes de realizar el servicio.
2. Para evitar descargas eléctricas, no exponga el aparato a la lluvia. Utilice y guarde el aparato únicamente en interior.
3. No permita que se utilice como juguete. Es necesario prestar mucha atención cuando se usa cerca de niños.
4. Utilícelo sólo de la manera descrita en este manual. Utilice sólo los accesorios recomendados por el fabricante.
5. No utilice el aparato si observa daños en el cable o el enchufe. Si el aparato no funciona como debe, se ha caído al suelo, se ha deteriorado, se ha dejado en el exterior o se ha caído al agua, envíelo a un centro de servicio.
6. No tire del cable ni arrastre el aparato por medio del cable, no utilice el cable a modo de mango, evite que el cable quede atrapado al cerrar las puertas y no tire del cable contra bordes agudos o esquinas. No pase el aparato por encima del cable. Mantenga el cable lejos de superficies calientes.
7. No desenchufe tirando del cable. Para desenchufar, tire del enchufe y no del cable.
8. No manipule el enchufe ni el aparato con las manos húmedas.
9. No coloque ningún objeto en las aberturas. No utilice el aparato con las aberturas obstruidas; manténgalas libres de polvo, hilos, pelo o cualquier otra sustancia que pueda impedir la circulación del aire.
10. Mantenga el cabello, las ropas sueltas, los dedos y todas las partes del cuerpo lejos de las aberturas y de las partes en movimiento.
11. No recoja ningún material en combustión o que eche humo, como cigarrillos o cerillas, o cualquier tipo de polvo que representara una amenaza para la salud.
12. Apague todos los controles antes de desenchufar el aparato.
13. Tenga un cuidado especial cuando limpie en escaleras.
14. No utilice el aparato para recoger líquidos inflamables o combustibles, como gasolina, ni en lugares en los que pueda haber dichos líquidos.
15. Si sale espuma o líquido con el escape de aspiración, apague el aparato inmediatamente. Póngase en contacto con Clarke si el problema persiste.
16. El líquido eyectado por la boquilla de pulverización podría ser peligroso debido a su temperatura, presión o contenido químico.
17. Use solamente los cepillos suministrados junto con el aparato o aquellos especificados en el manual de instrucciones. El uso de otros cepillos puede afectar a la seguridad.
18. Enchufe a una toma de corriente debidamente conectada a tierra. Véanse las Instrucciones de conexión a tierra.
19. Esta máquina no debe ser utilizada por personas (incluidos niños) con capacidades físicas, sensoriales o mentales reducidas, o con falta de experiencia y conocimientos.

GUARDE ESTAS INSTRUCCIONES

INSTRUCCIONES DE CONEXIÓN A TIERRA 120VAC

Este aparato debe conectarse a tierra. En caso de que se produzca algún fallo eléctrico, la conexión a tierra ofrece una vía de resistencia menor para la corriente eléctrica, reduciendo el riesgo de descarga eléctrica. Este aparato está equipado con un cable con conductor de conexión a tierra del equipo y enchufe de conexión a tierra. El enchufe debe conectarse a una toma de corriente debidamente instalada y conectada a tierra de acuerdo con todas las normas y ordenanzas locales.

⚠ ¡PELIGRO! La conexión incorrecta del conductor de conexión a tierra del equipo puede suponer un riesgo de descarga eléctrica. Consulte a un electricista cualificado o al personal de servicio en caso de duda acerca de la correcta conexión a tierra de la toma de corriente. No modifique el enchufe suministrado junto con el aparato. En caso de que este enchufe no sirva para la toma de

corriente, pida a un electricista cualificado que instale una toma de corriente adecuada.

Este aparato se usa con un circuito de 120 voltios nominales, y tiene un enchufe con toma a tierra tal como se muestra en la Figura 1, a continuación. Se puede usar un adaptador provisorio tal como se ve en las Figuras 2 y 3 en caso de disponerse de un receptáculo sin toma a tierra como en la Figura 2. Dicho adaptador provisorio se usará solamente hasta que un electricista cualificado instale un receptáculo con la toma a tierra correspondiente (Figura 1). La lengüeta de conexión de color verde que sale del adaptador deberá ser conectada a una toma a tierra permanente como, por ejemplo, la caja del receptáculo con toma a tierra. Siempre que se use el adaptador, hay que sostenerlo en su lugar con un tornillo de metal. El uso de adaptadores de conexión a tierra no está aprobado en Canadá.

Sustituya el enchufe si la patilla de tierra está dañada o rota.

El hilo Verde (o Verde/Amarillo) del cordón es el hilo de tierra. Cuando sustituya el enchufe, este hilo sólo debe ir conectado a la patilla de tierra.

Los cables alargadores conectados a esta máquina deben ser del calibre 12, trifilares, con tres patillas y tomas de pared adecuadas. NO utilice cables alargadores de más de 15 m.

ATENCIÓN: PARA AMÉRICA DEL NORTE SOLAMENTE

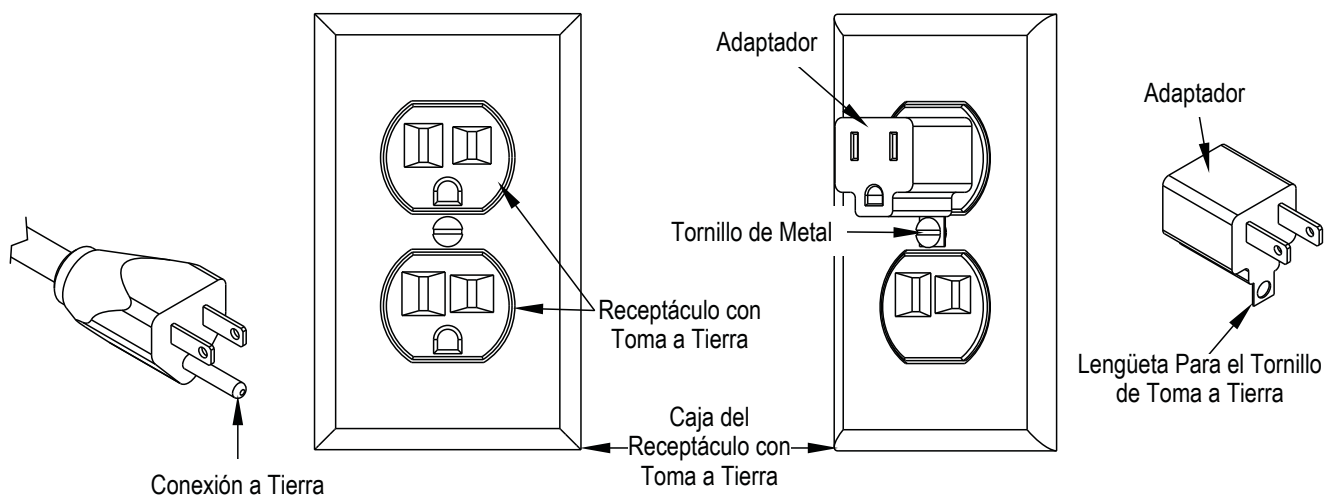


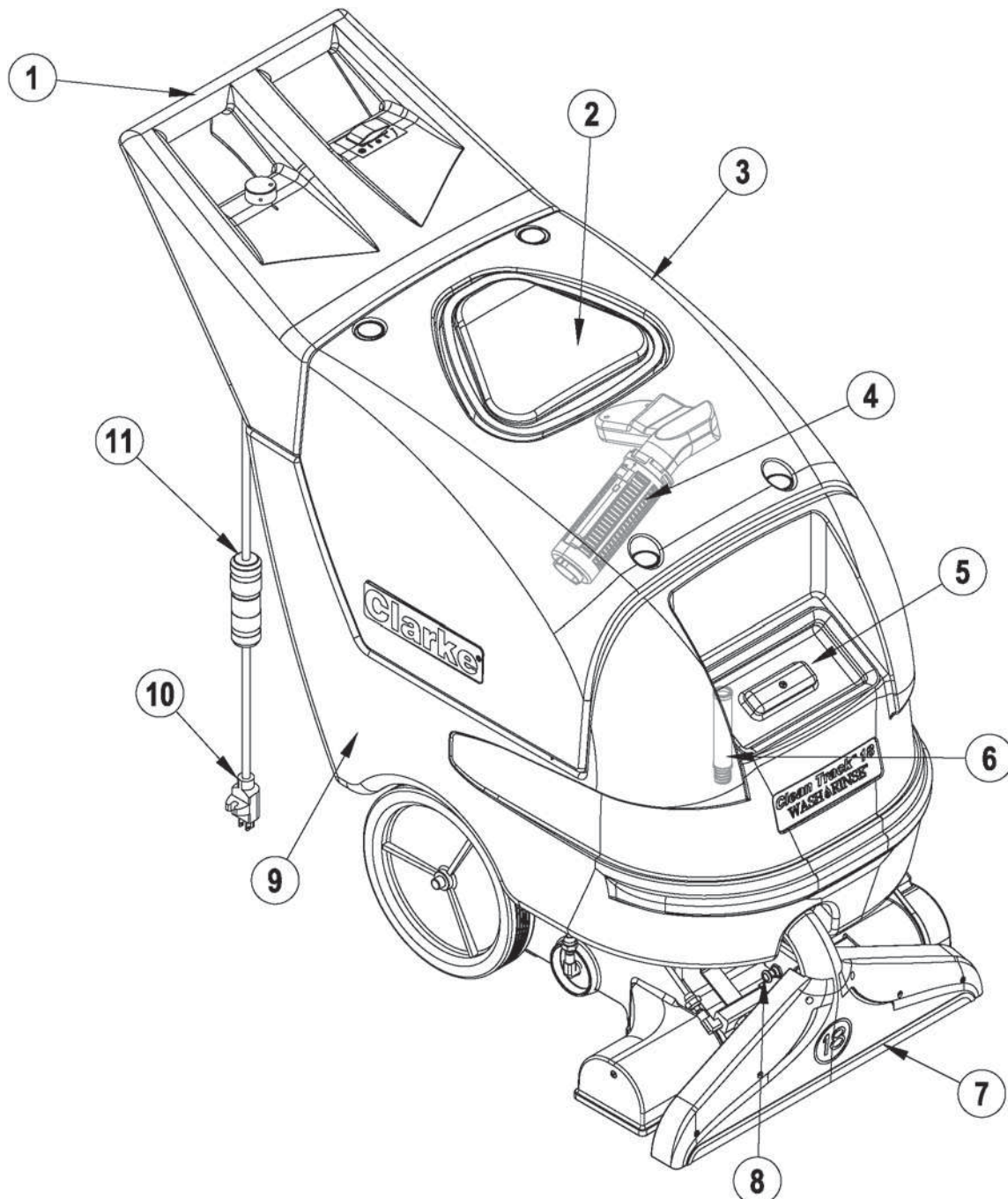
FIGURA 1

FIGURA 2

FIGURA 3

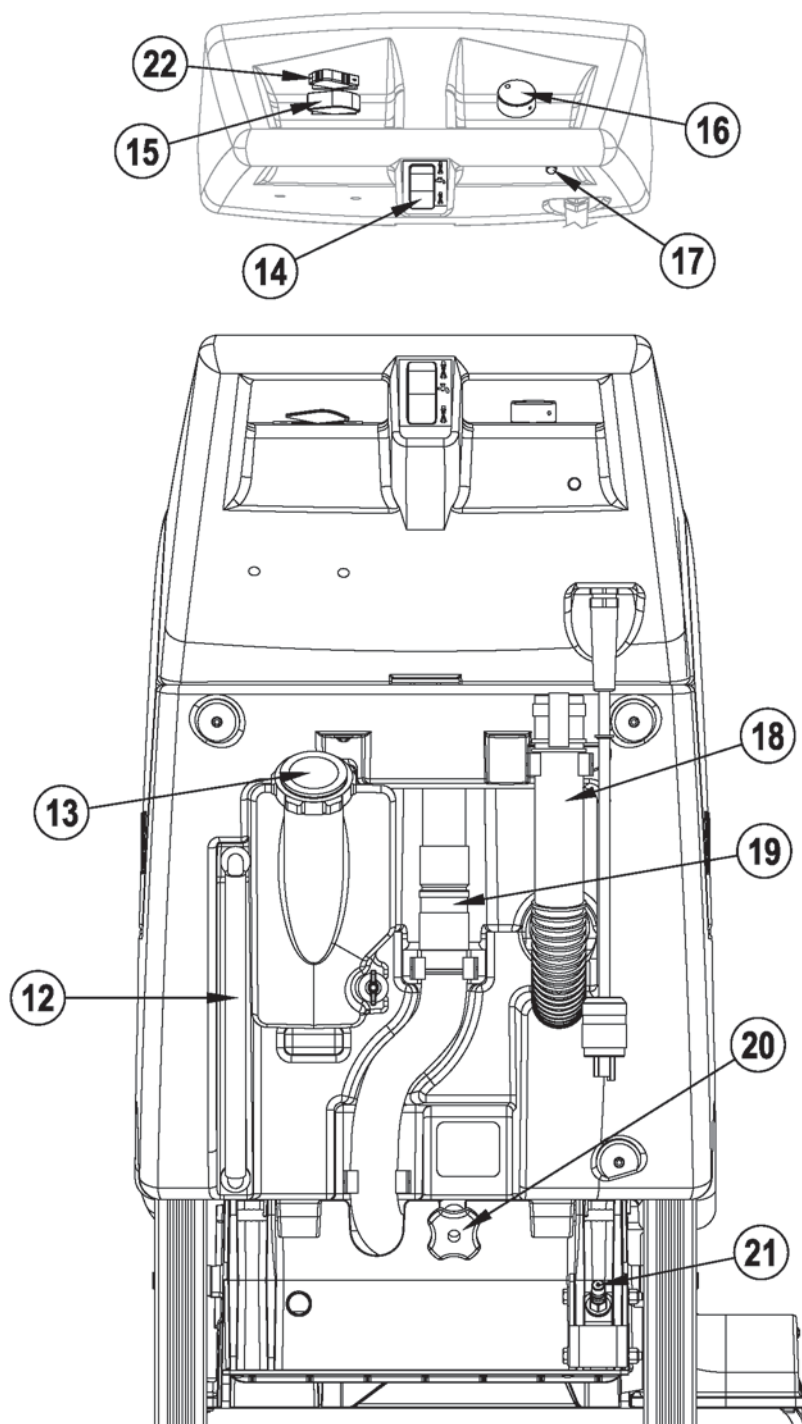
CONOZCA SU MÁQUINA

- 1 Manillar del operario
- 2 Tapa del depósito de recuperación
- 3 Depósito de recuperación
- 4 Cierre de flotador automático
- 5 Tapa del depósito de solución
- 6 Criba de la solución
- 7 Zapata de aspiración
- 8 Pasador de seguridad para la zapata de aspiración
- 9 Depósito de solución
- 10 Cable de alimentación (Clean Track® 18 Wash & Rinse)
- 11 Cable en espiral (cable de longitud total en Clean Track® 16 & 18)



CONOZCA SU MÁQUINA (CONTINUACIÓN)

- 12 Tubería de drenaje de la solución / Indicador de nivel
- 13 Botella de producto químico (Clean Track® 18 Wash & Rinse)
- 14 Conmutador de la solución (constante o intermitente)
- 15 Conmutador del accesorio de succión y de corriente
- 16 Botón de control del flujo variable (Clean Track® 18 Wash & Rinse)
- 17 Disyuntor del motor del cepillo
- 18 Tubería de drenaje del depósito de recuperación
- 19 Conexión de la tubería de recuperación
- 20 Botón de control de la presión del cepillo
- 21 Puerto de solución del accesorio
- 22 Interruptor de alimentación principal (230V)



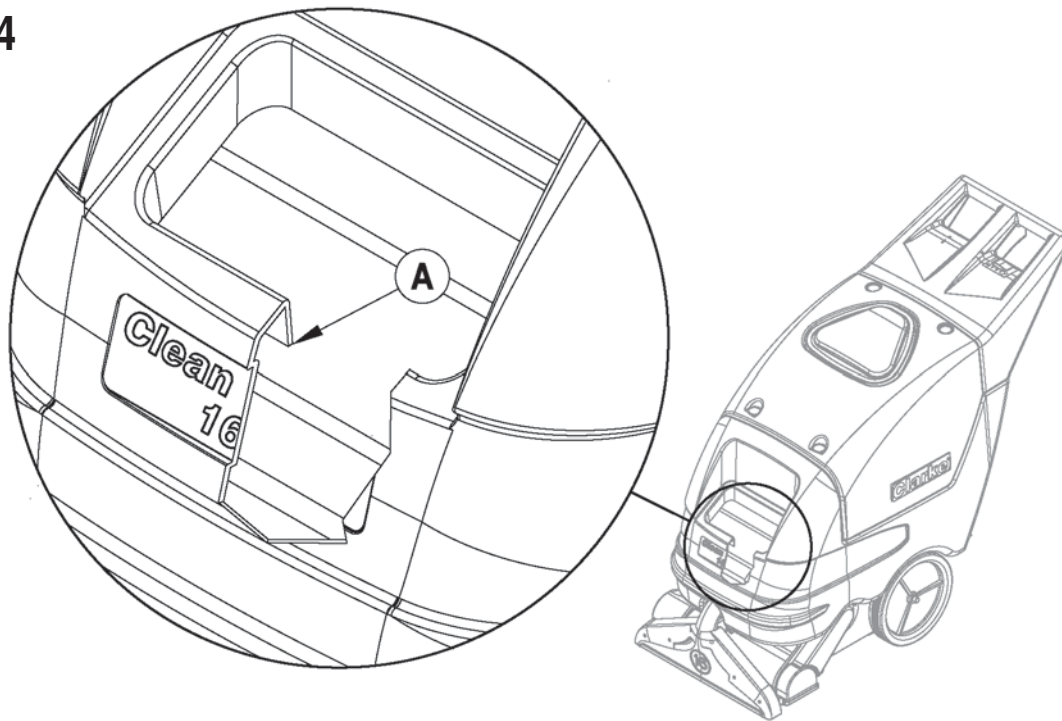
PREPARACIÓN DE LA MÁQUINA PARA SU UTILIZACIÓN

LLENADO DEL DEPÓSITO DE SOLUCIÓN

- 1 Apague (O) el conmutador de corriente (15 / 22) y desenchufe la máquina.
- 2 Extraiga la tapa del depósito de solución (5).
- 3 Lea las instrucciones que aparecen en el envase del producto químico. A continuación, calcule la cantidad adecuada de producto químico que se mezclará con la capacidad de agua del depósito de solución de su máquina. Modelos de 18": 13 galones (49,21 litros) / modelo de 16": 8 galones (30,28 litros).
- 4 **Ver la Figura 4.** Vierta el producto químico en el depósito de solución (9) y llene el depósito con agua caliente (temperatura máxima de 54°C/130°F). **NOTA:** No llene en exceso el depósito de solución. El punto de llenado máximo se alcanza cuando el nivel de la solución llega a la parte inferior del borde (A) situado en la parte delantera de la apertura del depósito.
Clean Track® 18 Wash & Rinse: Llene la botella de producto químico (13) en la parte trasera de la máquina. No vierta nada de producto químico en el depósito de solución.
- 5 Vuelva a instalar la tapa del depósito de solución (5).

⚠ ¡PRECAUCIÓN! Utilice detergentes líquidos de bajo poder espumante diseñados para la succión de moquetas.

FIGURA 4



ANTES DE UTILIZAR EL CLEAN TRACK®

Aspire completamente la moqueta que va a limpiar antes de utilizar el aspirador automático Clean Track®.

PULVERIZACIÓN PREVIA DE LA MOQUETA

Pulverice previamente las manchas y las zonas por las que más se circula. Utilice un pulverizador de mano o un pulverizador presurizado tipo "Hudson". Mezcle el producto de pulverización de acuerdo con las recomendaciones del fabricante.

PLANIFICACIÓN DE LA LIMPIEZA

Antes de empezar a aspirar, observe la zona que va a limpiar y planifique su trabajo. Divida el espacio en secciones. Debe solapar los tramos unos 5 cm.

MANEJO DE LA MÁQUINA

- 1 Siga las instrucciones de la sección *Preparación de la máquina* para el uso de este manual.
- 2 Pulse el botón de control de la presión del cepillo (20) para soltar la máquina de la posición de almacenaje.
- 3 Ajuste el botón de control de flujo variable (16) al modo de flujo alto, flujo bajo o accesorio (sólo Clean Track® 18 Wash & Rinse).
Flujo bajo: Flujo de solución más bajo, recomendado para una limpieza de superficie frecuente.
Flujo alto: Flujo de solución más alto, recomendado para una limpieza en profundidad menos frecuente.
Accesorio: Sin flujo de solución desde las toberas frontales.
- 4 Enchufe la máquina en una toma de corriente puesta a tierra correctamente. Para arrancar el motor de aspiración, la bomba de solución y el motor del cepillo. Ponga el conmutador del accesorio de succión y de corriente (15) en la posición On (I) de succión (símbolo del cepillo). Dé vuelta al interruptor de alimentación principal (22) EN (i) en los modelos 230V.
- 5 Ajuste de la presión del cepillo. Gire el botón de control de la presión del cepillo (20) en el sentido contrario a las agujas del reloj para reducir la presión del cepillo y en el sentido de las agujas del reloj para aumentar la presión del cepillo. La máquina no debe propulsarse (en la moqueta) cuando el cepillo está correctamente ajustado.
- 6 La solución se aplica de dos maneras.
 - Cuando el conmutador de la solución (14) está en la posición "constante", la solución se aplica de manera continua.
 - Cuando el conmutador de la solución (14) está en la posición "intermitente", la solución se aplica sólo al mantener pulsado el conmutador.
- 7 Comience a limpiar pasando la máquina por una línea recta y solape los distintos tramos unos 5 cm. Suelte el conmutador de la solución (14) si se encuentra en la posición "intermitente" o apáguelo si está en la posición "constante" antes de girar para garantizar la completa succión de la solución de la moqueta.
- 8 Observe la introducción del fluido en el depósito de recuperación. Si hay demasiada espuma en el depósito de recuperación, añada un antiespumante en el depósito de recuperación.

⚠ ¡PRECAUCIÓN! Vacíe el depósito de recuperación antes de que el fluido o la espuma se introduzcan en el motor de aspiración.

Si no se introduce fluido en el depósito de recuperación, o sólo se introduce una pequeña cantidad, compruebe el indicador de nivel de la tubería de drenaje de la solución (12); es posible que el depósito de solución esté vacío. Rellene el depósito de solución con agua y la cantidad adecuada de limpiador químico. Vacíe el depósito de recuperación cada vez que el depósito de la solución necesite rellenarse.

- 9 El depósito de recuperación tiene un cierre de flotador automático (4) para bloquear el sistema de aspiración cuando el depósito de recuperación está lleno. Se puede reconocer el momento en que se cierra el flotador por el cambio súbito del ruido del motor de aspiración. Hay que vaciar el depósito de recogida cuando el flotador lo cierra. La máquina puede seguir aplicando la solución, pero **no** recogerá el agua si el flotador está cerrado.
- 10 Cuando el operario desea detener la limpieza o el depósito de recuperación está lleno, suelte o apague el conmutador de la solución (14). A continuación, apague el conmutador de corriente (O) y desenchufe la máquina.
- 11 Lleve la máquina a un lugar establecido para la eliminación de aguas residuales y vacíe el depósito de recuperación. Para vaciarla, tire de la tubería de drenaje del depósito de recuperación (18) para sacarla de su soporte de almacenamiento trasero y, a continuación, retire el tapón (sostenga el extremo de la tubería por encima del nivel de agua para evitar el flujo súbito e incontrolado de agua residual). Rellene el depósito de solución y siga limpiando.

USO DE ACCESORIOS

Para utilizar accesorios, desconecte la tubería de recuperación en la conexión de la tubería de recuperación (19). Fije la tubería de recuperación del accesorio a la tubería de recuperación de la máquina. Fije la manguera de solución del accesorio al puerto de solución del accesorio de la máquina (21). Al utilizar accesorios, coloque el conmutador del accesorio de succión (15) en la posición de accesorio (símbolo de vara). En el modelo Clean Track® 18 Wash & Rinse, debe girar también el botón de control de flujo variable (16) a la posición de accesorio (símbolo de vara).

Póngase en contacto con su distribuidor Clarke en cuanto a los accesorios que pueden utilizarse con el Clean Track®.

KITS DE SUELO DURO

La zapata de aspiración puede extraerse y volverse a colocar con una herramienta de boquilla opcional (A) para el uso de la máquina en suelos duros. Ver la **Figura 5**. La zapata de aspiración puede extraerse tirando del pasador de seguridad (8) y retirando la zapata de aspiración (7). A continuación, desconecte la tubería de recuperación (B) de la zapata de aspiración y conéctela a la herramienta de boquilla. Fije la herramienta de boquilla a la máquina en la misma posición de montaje que la zapata de aspiración; tire del pasador de seguridad y deslice la herramienta de boquilla en su lugar.

Póngase en contacto con su distribuidor Clarke en cuanto a los accesorios que pueden utilizarse con el Clean Track®.

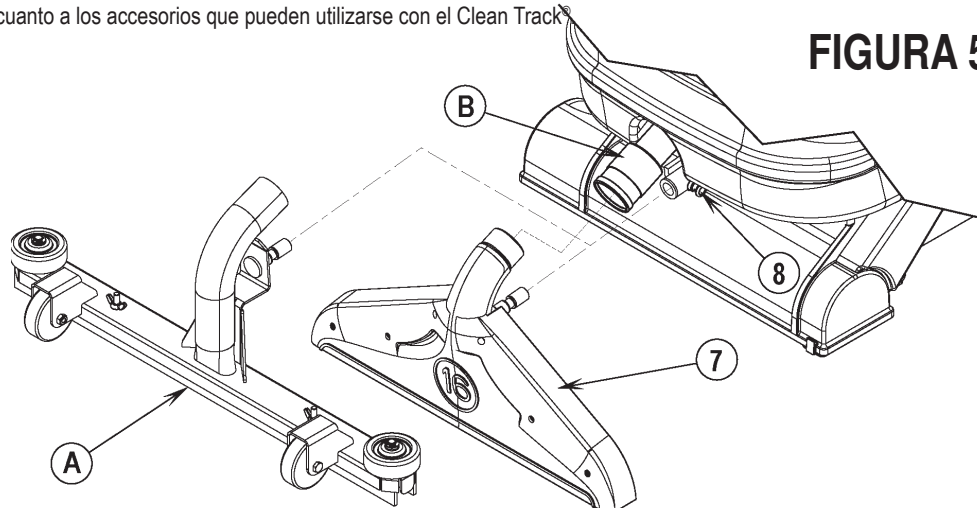


FIGURA 5

DESPUÉS DE LA UTILIZACIÓN DE LA MÁQUINA

- 1 Apague el conmutador de corriente (O) y desenchufe el cable de alimentación. Enrolle el cable alrededor del manillar del operario (1).
- 2 Para vaciar el depósito de solución, retire la tubería de drenaje de la solución (12) de la lengüeta de la manguera superior. Dirija la tubería a un lugar establecido para la eliminación de aguas residuales. Enjuague el depósito con agua limpia. Inspeccione las mangueras de solución y sustitúyalas si están torcidas o dañadas. Revise la criba de la solución (6).
- 3 Para vaciar el depósito de recuperación, saque la tubería de drenaje del depósito de recuperación (18) de su soporte. Dirija la tubería al lugar establecido para la eliminación de aguas residuales y retire el tapón (sostenga el extremo de la tubería por encima del nivel de agua para evitar el flujo súbito e incontrolado de agua residual). Enjuague el depósito con agua limpia. Inspeccione las tuberías de recuperación y de drenaje y sustitúyalas si están torcidas o dañadas.
- 4 Retire el cepillo, enjuague con agua caliente y retire restos de hilos, pelo o fibras de la moqueta.
- 5 Desconecte la tubería de recuperación (19) del depósito de recuperación (4) y lave con agua caliente para eliminar los residuos de la tubería de recuperación y de la zapata de aspiración.
- 6 Limpie la máquina con un paño húmedo. No utilice disolventes ni productos químicos abrasivos.
- 7 Realice cualquier operación de mantenimiento que sea necesaria antes de guardar la máquina.

PROGRAMA DE MANTENIMIENTO

OPERACIÓN DE MANTENIMIENTO	Diaria	Semanal	Mensual	Anual
Limpia e inspecciona el cepillo de alimentación	•			
Limpia e inspecciona depósitos y tuberías	•			
Limpia e inspecciona el flotador de cierre de la aspiración	•			
Limpia la zapata de aspiración	•			
Limpia e inspecciona la criba de la solución		•		
Limpia las boquillas de pulverización			•	
*Comprobar los cepillos de carbono				•

* Haga que un técnico de mantenimiento de Clarke revise los cepillos de carbono del motor de aspiración una vez al año o después de 300 horas de funcionamiento. Compruebe los cepillos de carbono de los motores del cepillo cada 500 horas o una vez al año.

⚠ ¡IMPORTANTE! Los daños al motor causados por no haber revisado y mantenido los cepillos de carbono

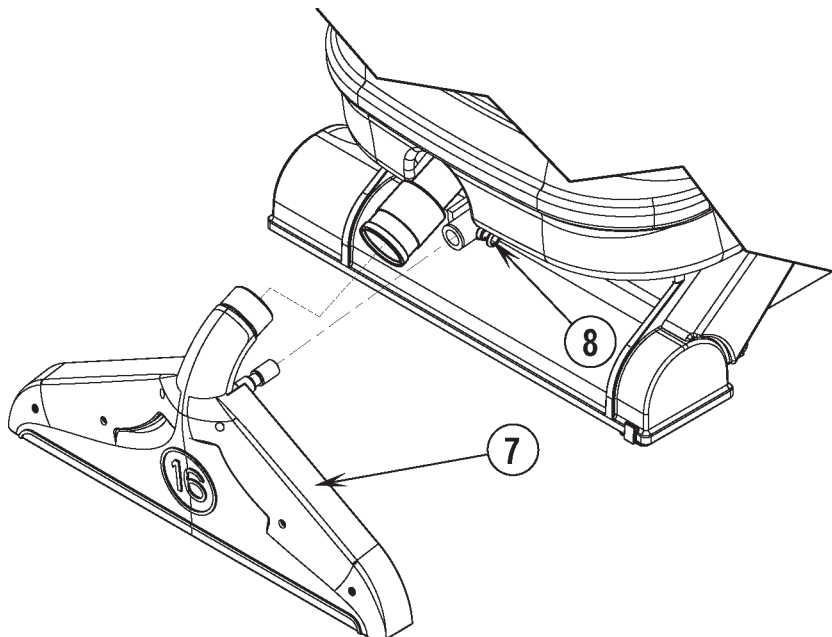
no están cubiertos por la garantía. Consulte la Declaración de Garantía Limitada.

- 8 Guarde la máquina en el interior, en un lugar limpio y seco, con la tapa del depósito abierta. Protéjala de la congelación.
- 9 Coloque la máquina en la posición de almacenaje. Esto evita que el cepillo se aplaste, de modo que la vida útil del cepillo aumenta y se preserva la eficacia del mismo. Incline la máquina hacia atrás para levantar la zapata de aspiración del suelo; a continuación, pulse y levante el botón de control de la presión (20) hasta que quede bloqueado en su sitio.

MANTENIMIENTO DE LA ZAPATA DE ASPIRACIÓN

Compruebe la zapata de aspiración diariamente. Retire restos de hilos, pelo o fibras de la moqueta. **Ver la Figura 6.** La zapata de aspiración puede extraerse tirando del pasador de seguridad (8) y retirando la zapata de aspiración (7). A continuación, desconecte la tubería de recuperación de la zapata.

FIGURA 6



MANTENIMIENTO DE LA BOQUILLA DE PULVERIZACIÓN

Retire las boquillas de pulverización (A) una vez al mes. Ver la Figura 7. Introduzca las boquillas en vinagre durante toda la noche para eliminar depósitos de productos químicos. **NOTA:** Retírelas sujetándolas y girando un cuarto de giro en el sentido contrario al de las agujas del reloj.

MANTENIMIENTO DE LA CRIBA DE LA SOLUCIÓN

Una vez por semana (o más si fuera necesario), limpie la criba de la solución (6). Vacíe el depósito de la solución. Abra la tapa del depósito de solución (5), alcance en el interior el depósito de solución y tire del filtro de solución hacia arriba para extraerlo.

MANTENIMIENTO DEL CABLE DE ALIMENTACIÓN

Una vez por semana (o más si fuera necesario), compruebe el cable de alimentación para ver si existen grietas o si el aislamiento está dañado, si hay hilos expuestos en el cable o en el enchufe y si la patilla de tierra está dañada o no está presente. Repare o sustituya el cable o enchufe dañado **inmediatamente**.

AJUSTE DE LA PRESIÓN DEL CEPILLO

Gire el botón de ajuste de la presión del cepillo (20) en el sentido de las agujas del reloj para aumentar la presión del cepillo y en el sentido contrario a las agujas del reloj para reducir la presión del cepillo.

MANTENIMIENTO DEL CEPILLO DE ALIMENTACIÓN

Compruebe el cepillo diariamente. Retire restos de hilos, pelo o fibras de la moqueta. Cuando la máquina no se esté utilizando debe colocarse en la posición de almacenaje. Esto evita que el cepillo se aplaste, de modo que la vida útil del cepillo aumenta y se preserva la eficacia del mismo.

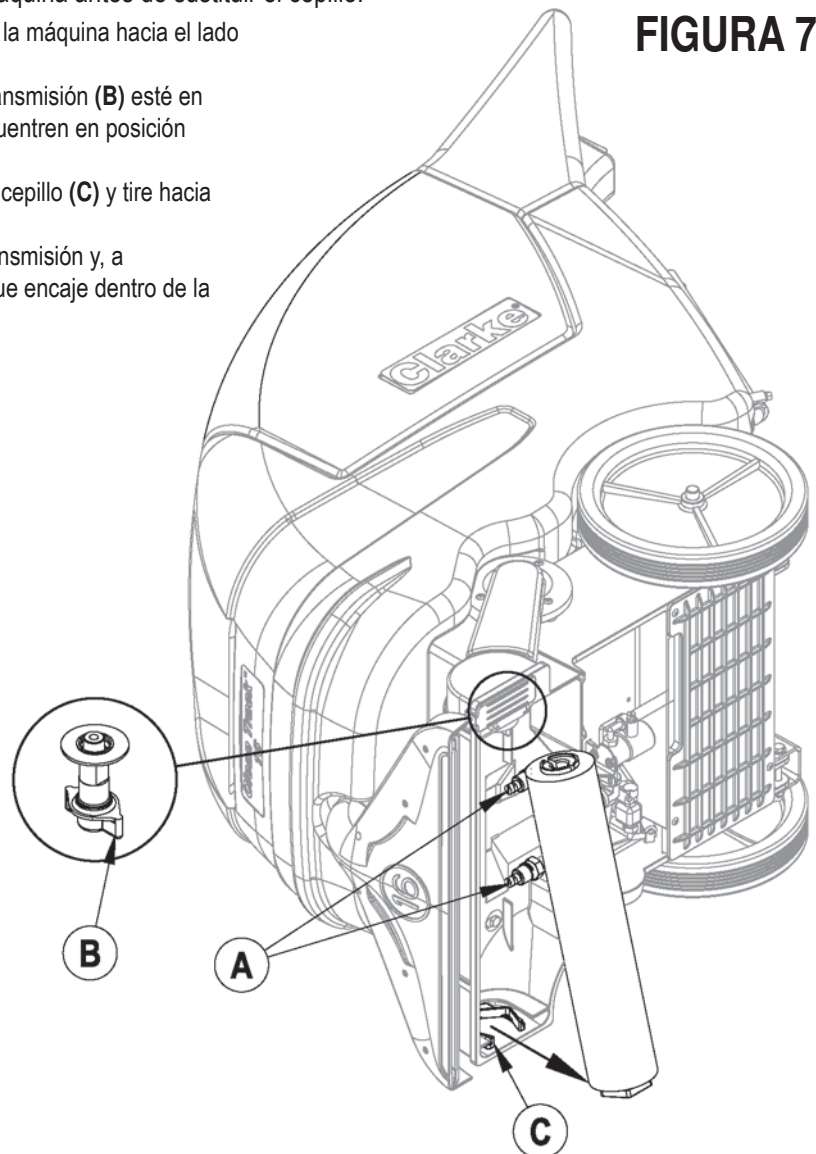
EXTRACCIÓN DEL CEPILLO

⚠ ¡PRECAUCIÓN!

Apague el conmutador de corriente (O) y desenchufe la máquina antes de sustituir el cepillo.

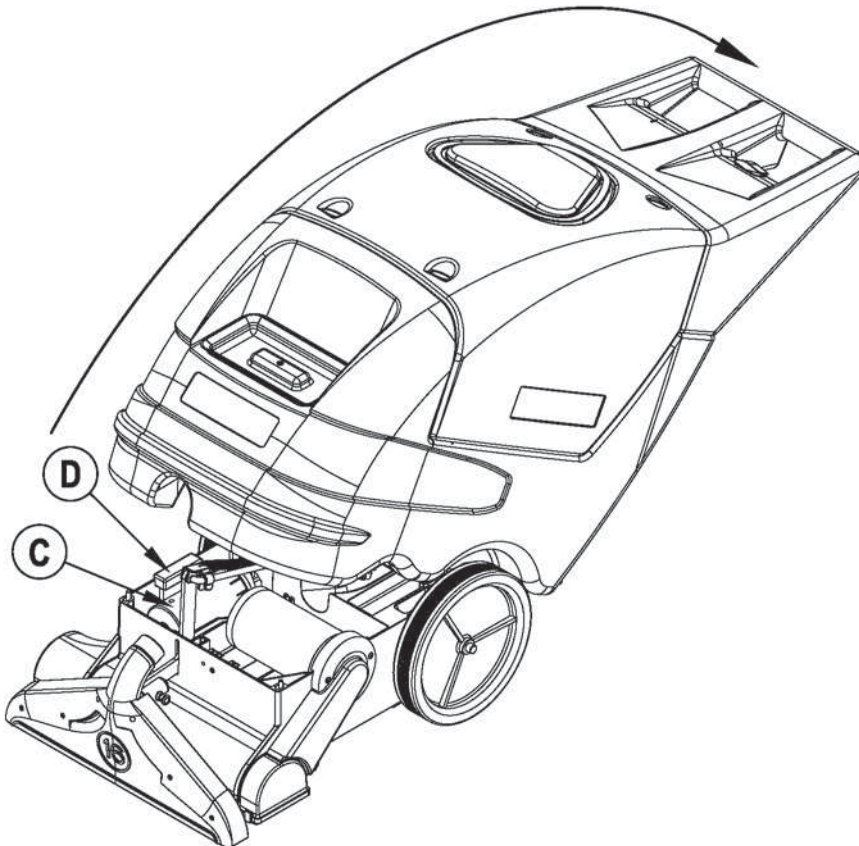
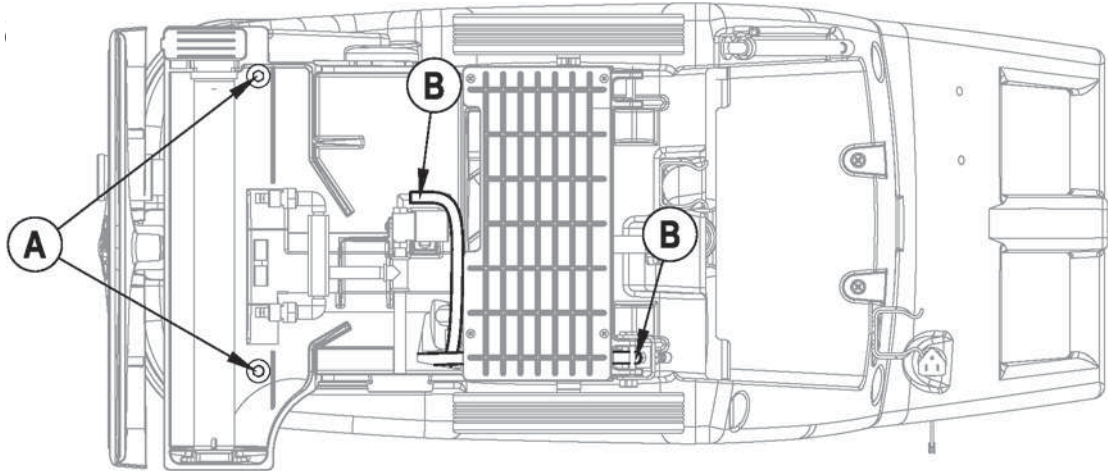
- 1 Vacíe el depósito de la solución y de recuperación e incline la máquina hacia el lado derecho.
- 2 **Ver la Figura 7.** Gire el cepillo hasta que la lengüeta de transmisión (B) esté en una posición en la cual las aletas de dicha lengüeta se encuentren en posición perpendicular a la parte inferior de la máquina.
- 3 Agarre el cepillo en el extremo con la pinza de sujeción del cepillo (C) y tire hacia fuera.
- 4 Instale un nuevo cepillo en el extremo de la lengüeta de transmisión y, a continuación, introduzca el otro extremo del cepillo hasta que encaje dentro de la pinza de sujeción.

FIGURA 7



MANTENIMIENTO DE PERSONAL AUTORIZADO**EXTRACCIÓN DE LA BOMBA DE SOLUCIÓN**

- 1 Vacíe el depósito de la solución y de recuperación e incline la máquina hacia el lado.
- 2 **Ver la Figura 8.** Retire los (2) tornillos (**A**) y desconecte ambas mangueras de solución inferiores (**B**) desde la bomba de la solución.
- 3 Incline la máquina hacia atrás erguida, agarre el manillar del operario (**1**) y presione para inclinar el conjunto de depósito de recuperación / solución hacia atrás.

VISTA INFERIOR DE LA MÁQUINA**FIGURA**

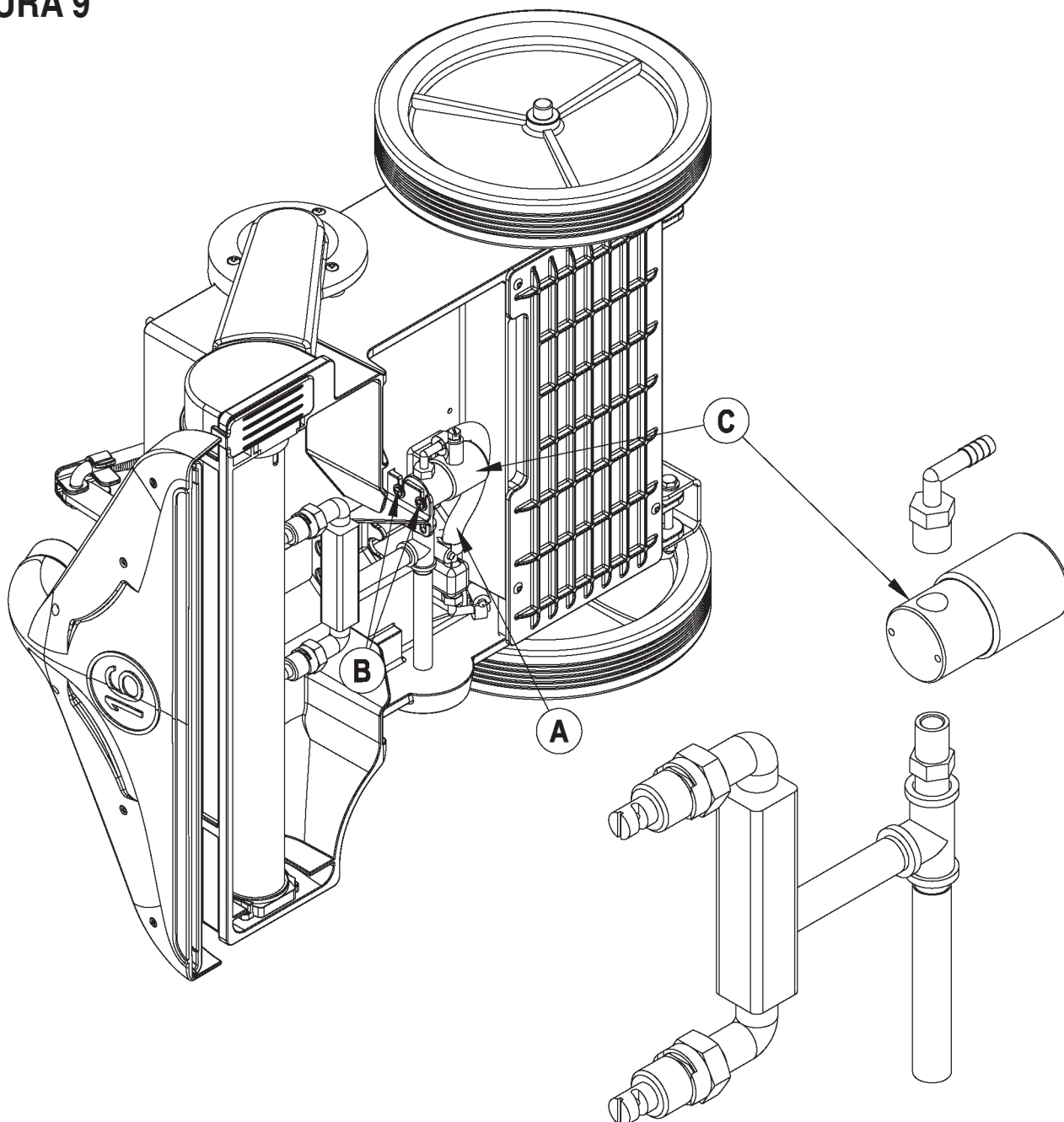
- 4 Desconecte la manguera de solución superior y los conectores de cableado de la bomba. Ahora, la bomba (**C**) puede levantarse en línea recta y fuera del conjunto de base. **NOTA:** Anote la orientación de montaje de la bomba (**D**) para cuando la vuelva a montar. Anote los puntos de conexión del cableado para el nuevo montaje.
- 5 Siga las instrucciones anteriores en el orden inverso para instalar la bomba.

MANTENIMIENTO DE PERSONAL AUTORIZADO

EXTRACCIÓN DE LA VÁLVULA DE SOLENOIDE (MODELOS ESTÁNDAR)

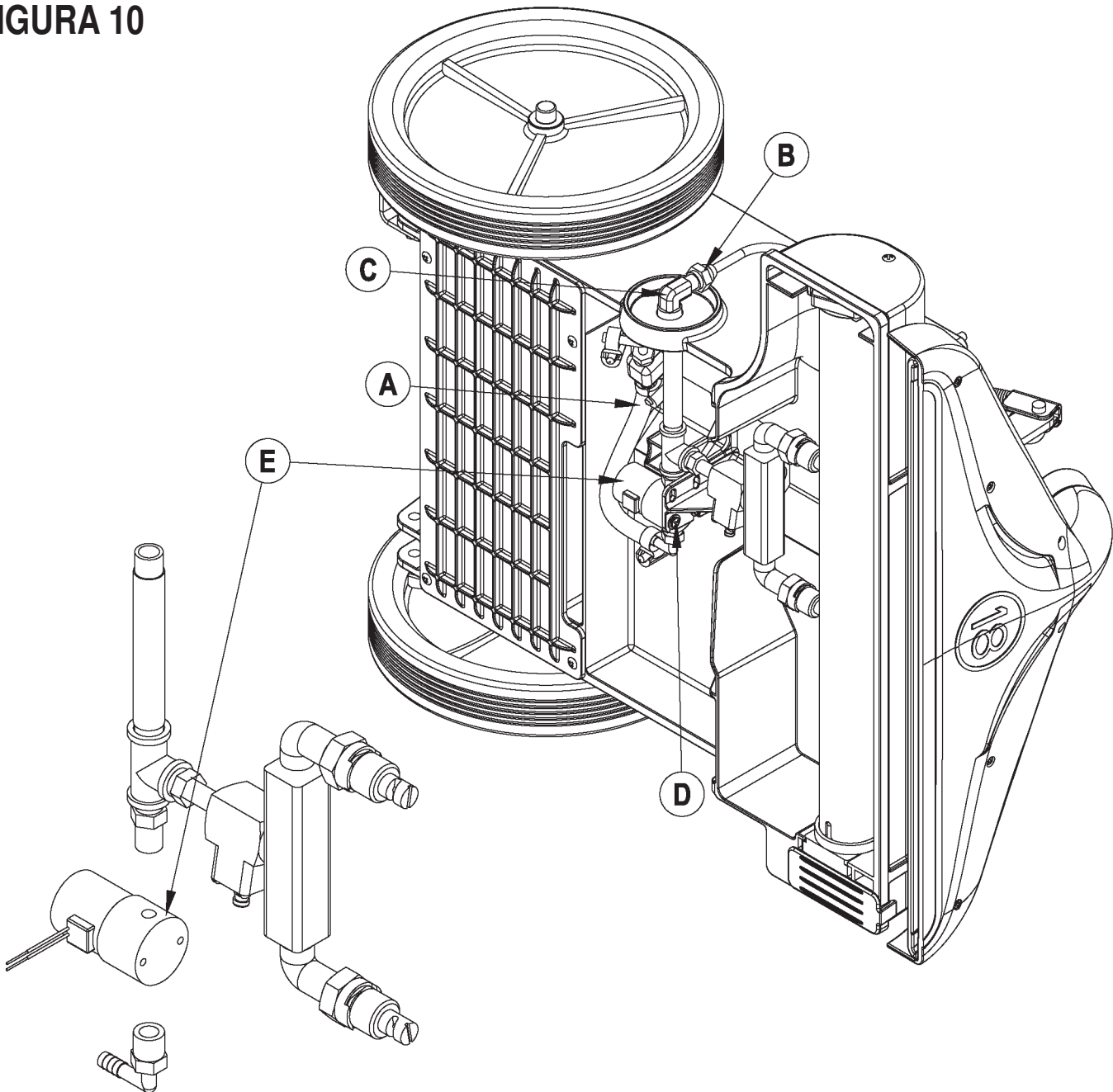
- 1 Vacíe el depósito de la solución y de recuperación e incline la máquina hacia el lado.
- 2 **Ver la Figura 8.** Extraiga los (2) tornillos (A).
- 3 Incline la máquina hacia atrás erguida, agarre el manillar del operario (1) y presione para inclinar el conjunto de depósito de recuperación / solución hacia atrás.
- 4 Desconecte los cables de la válvula de solenoide (2). **NOTA:** Anote sus puntos de conexión para el nuevo montaje.
- 5 **Ver la Figura 9.** Incline la máquina hacia atrás sobre su lado y desconecte la manguera de solución (A) de la bomba de solución.
- 6 Extraiga los (2) tornillos (B) y, a continuación, retire el conjunto de boquilla de la máquina. Ahora, la válvula de solenoide (C) puede desmontarse fácilmente del conjunto de boquilla.
- 7 Siga las instrucciones anteriores en el orden inverso para instalar la válvula de solenoide.

FIGURA 9



MANTENIMIENTO DE PERSONAL AUTORIZADO**EXTRACCIÓN DE LA VÁLVULA DE SOLENOIDE (MODELO WASH & RINSE)**

- 1 Vacíe el depósito de la solución y de recuperación e incline la máquina hacia el lado.
- 2 **Ver la Figura 8.** Extraiga los (2) tornillos (A).
- 3 Incline la máquina hacia atrás erguida, agarre el manillar del operario (1) y presione para inclinar el conjunto de depósito de recuperación / solución hacia atrás.
- 4 Desconecte los cables de la válvula de solenoide (2). **NOTA:** Anote sus puntos de conexión para el nuevo montaje.
- 5 **Ver la Figura 10.** Incline la máquina hacia atrás sobre su lado y desconecte la manguera de solución (A) de la bomba de solución.
- 6 Desconecte el conector del tubo (B) y retire el codo (C).
- 7 Extraiga los (2) tornillos (D) y, a continuación, retire el conjunto de boquilla de la máquina. Ahora, la válvula de solenoide (E) puede desmontarse fácilmente del conjunto de boquilla.
- 8 Siga las instrucciones anteriores en el orden inverso para instalar la válvula de solenoide.

FIGURA 10

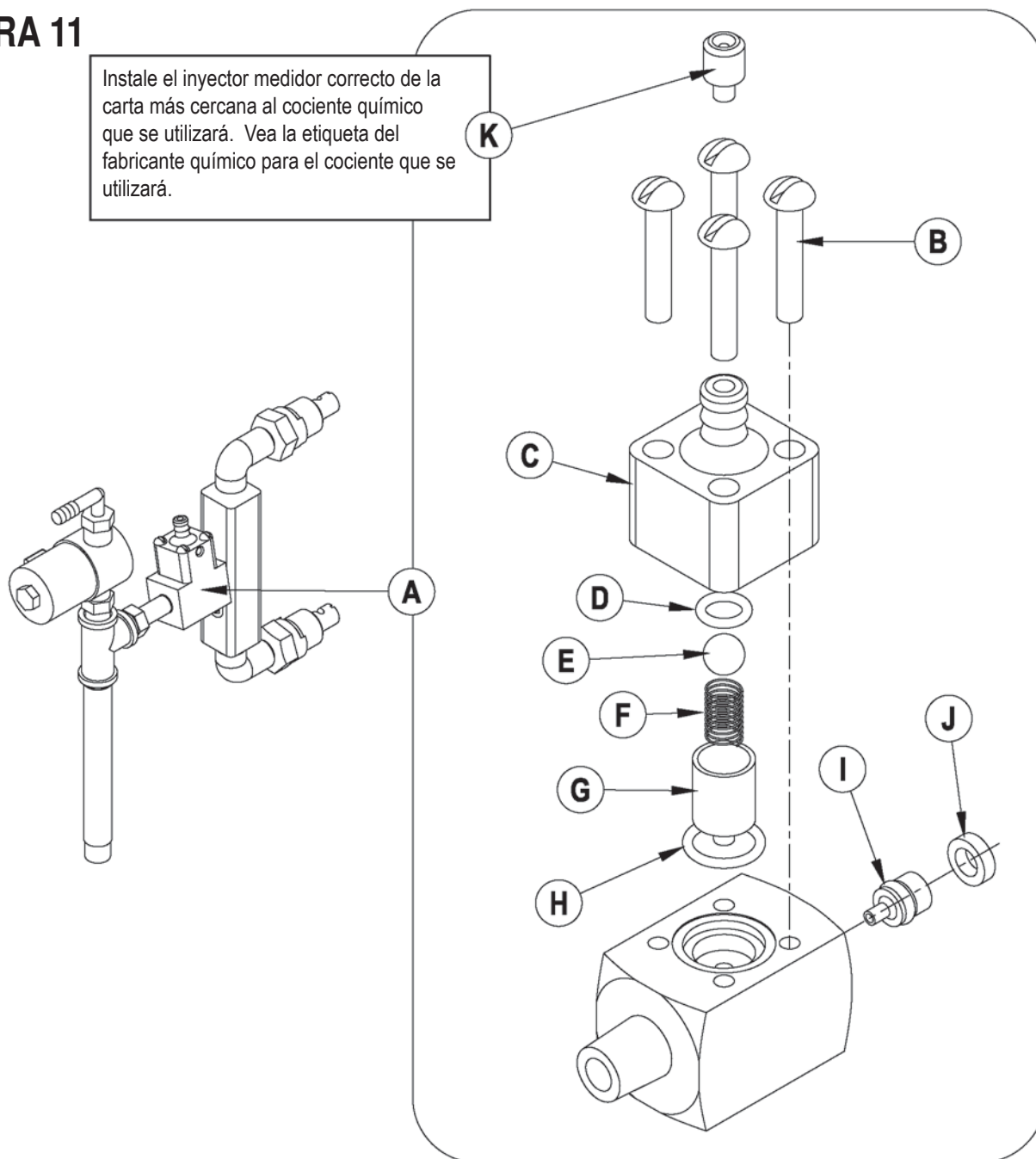
MANTENIMIENTO DE PERSONAL AUTORIZADO

MANTENIMIENTO DEL INYECTOR DEMA (MODELO WASH & RINSE)

- 1 Siga los pasos de 1 a 7 indicados en la sección EXTRACCIÓN DE LA VÁLVULA DE SOLENOIDE (MODELO WASH & RINSE).
- 2 **Ver la Figura 11.** Desmonte el inyector DEMA (A) del conjunto de la boquilla.
- 3 Retire los (4) tornillos (B) y desmonte los componentes (C, D, E, F, G, H, I & J). Limpie todos los componentes y vuelva a montar. **NOTA:** Si hubiera depósitos de cal dentro del inyector, empape todas las piezas en un agente de descalcado para eliminar los residuos.
- 4 Vuelva a montar el conjunto de boquilla y siga los pasos de 1 a 7 indicados en la sección EXTRACCIÓN DE LA VÁLVULA DE SOLENOIDE (MODELO WASH & RINSE) en el orden inverso al desmontaje.

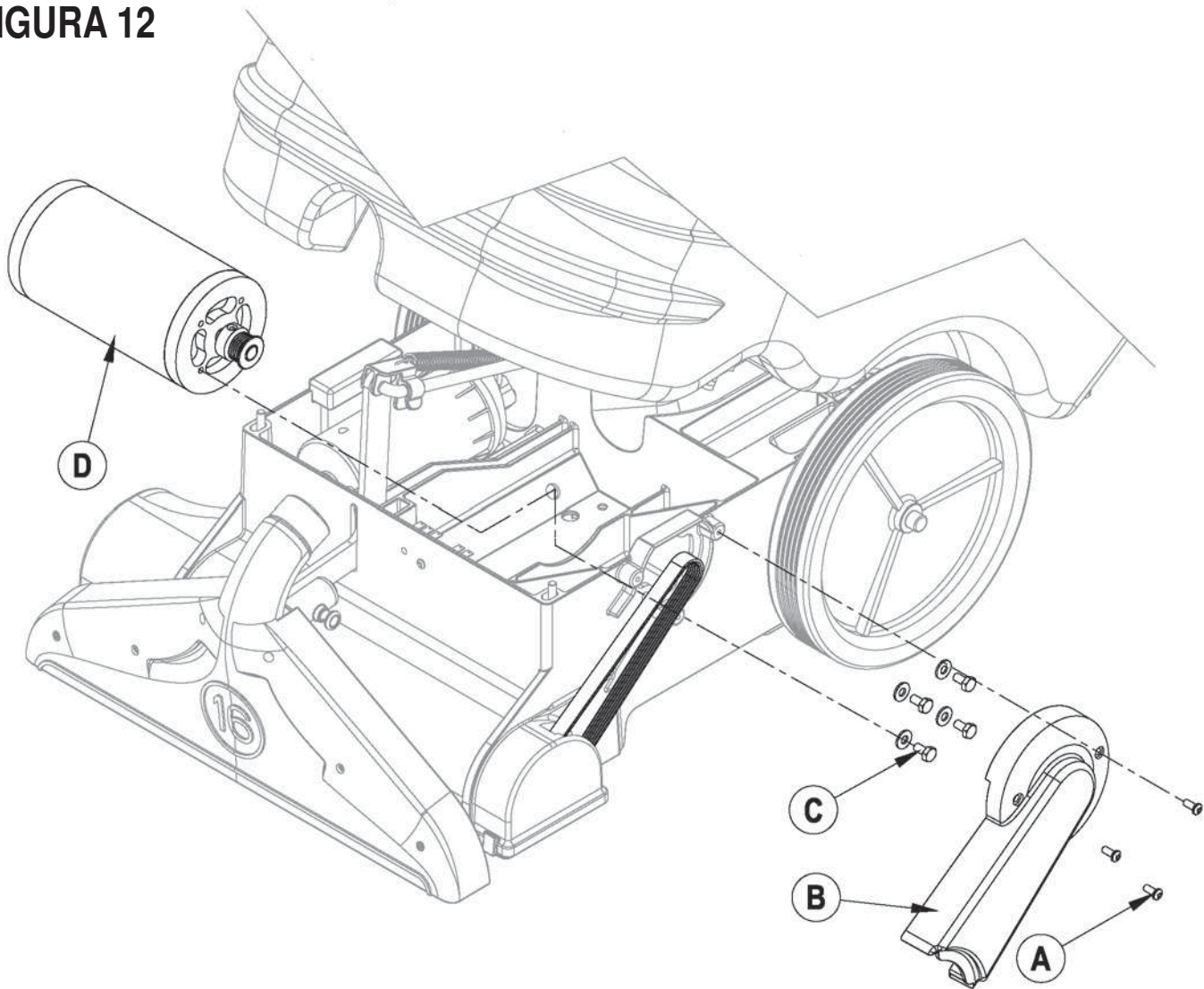
Boquillas graduadas del inyector (K)		
Color de la punta	Proporción	OZ / GAL (nominal)
Habano	102:1	1
Naranja	75:1	1.5
Turquesa (instalado de fábrica)	60:1	2
Rosa	43:1	3

FIGURA 11



MANTENIMIENTO DE PERSONAL AUTORIZADO**EXTRACCIÓN DEL MOTOR DEL CEPILLO**

- 1 Vacíe el depósito de la solución y de recuperación e incline la máquina hacia el lado.
- 2 **Ver la Figura 8.** Extraiga los (2) tornillos (A).
- 3 Incline la máquina hacia atrás erguida, agarre el manillar del operario (1) y presione para inclinar el conjunto de depósito de recuperación / solución hacia atrás.
- 4 **Ver la Figura 12.** Extraiga los (3) tornillos (A) y, a continuación, retire el protector de correa (B).
- 5 Retire la correa de la polea del motor y luego extraiga los (4) tornillos y arandelas (C).
- 6 Desconecte el cableado del motor del cepillo y extraiga el motor del cepillo (D) de la máquina. **NOTA:** Anote los puntos de conexión para el nuevo montaje.
- 7 Siga las instrucciones anteriores en el orden inverso para instalar el motor del cepillo. **NOTA:** Consulte la hoja de instrucciones 56040906 para obtener las instrucciones de instalación de la correa.

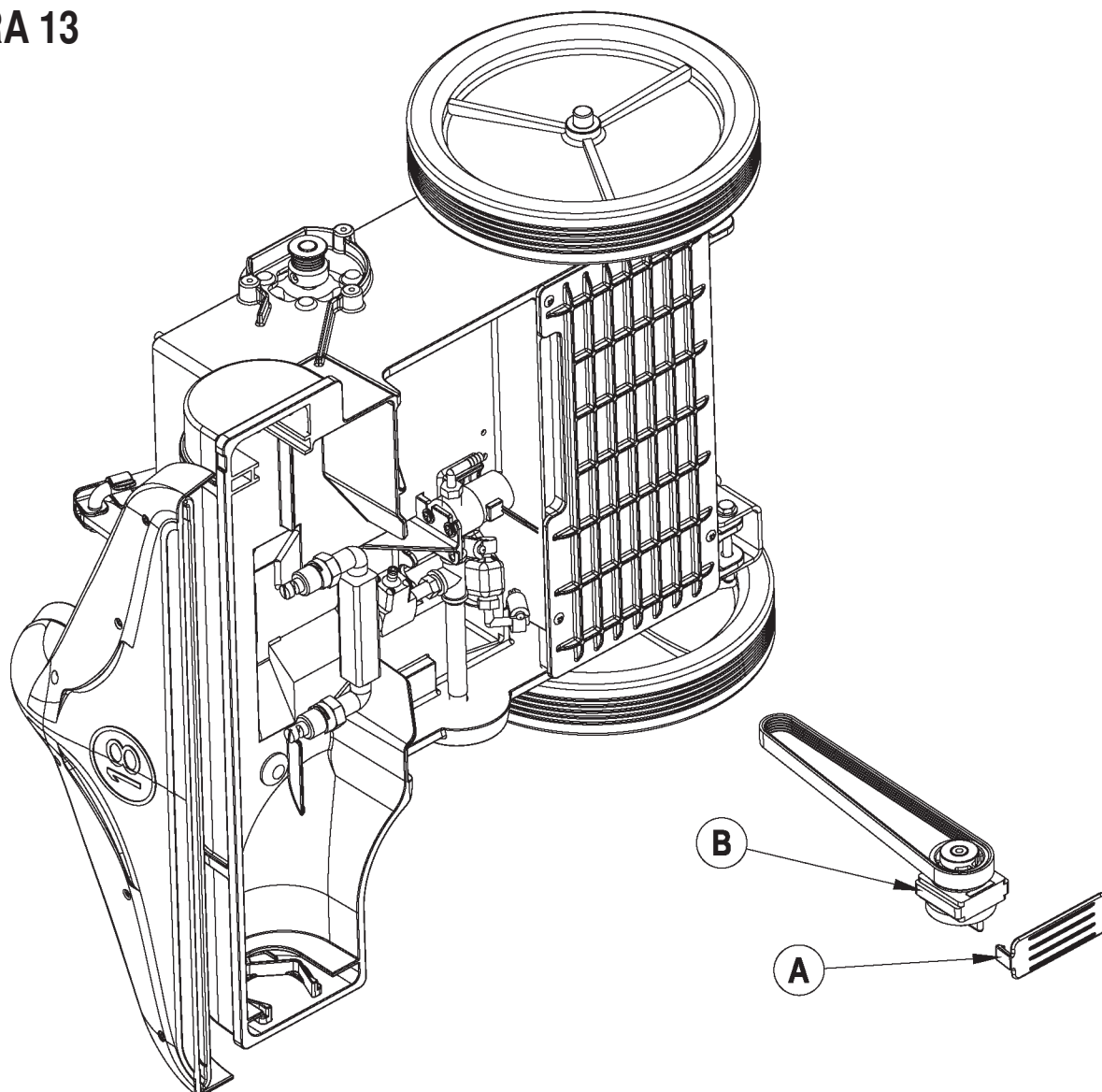
FIGURA 12

MANTENIMIENTO DE PERSONAL AUTORIZADO

SUSTITUCIÓN DE LA CORREA DE TRACCIÓN DEL CEPILLO

- 1 Vacíe el depósito de la solución y de recuperación e incline la máquina hacia el lado.
- 2 **Ver la Figura 8.** Extraiga los (2) tornillos (A).
- 3 Incline la máquina hacia atrás erguida, agarre el manillar del operario (1) y presione para inclinar el conjunto de depósito de recuperación / solución hacia atrás.
- 4 **Ver la Figura 12.** Extraiga los (3) tornillos (A) y, a continuación, retire el protector de correa (B).
- 5 Retire la correa de la polea del motor.
- 6 Consulte la sección *Extracción del cepillo* para extraer el cepillo de la máquina.
- 7 **Ver la Figura 13.** Extraiga la cubierta de la polea (A) y, a continuación, deslice el bloque de polea y la correa (B) fuera de la parte inferior del contenedor de base.
- 8 Siga las instrucciones anteriores en el orden inverso para instalar la correa. **NOTA:** Consulte la hoja de instrucciones 56040906 para obtener las instrucciones de instalación de la correa.

FIGURA 13

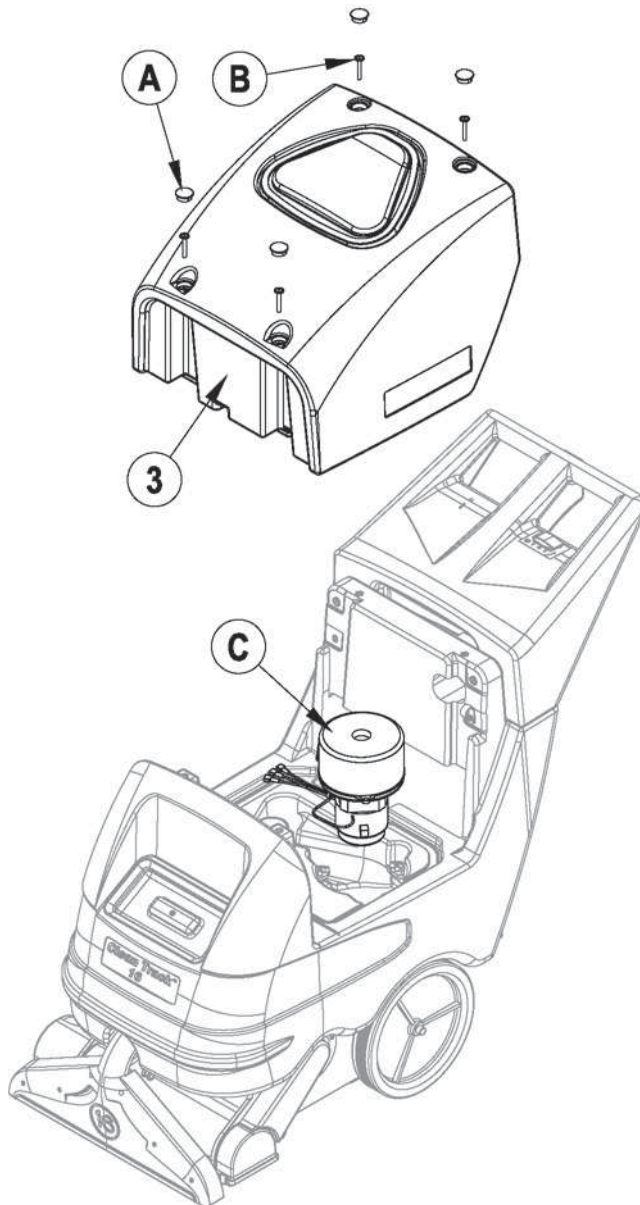


MANTENIMIENTO DE PERSONAL AUTORIZADO**MANTENIMIENTO DEL MOTOR DE ASPIRACIÓN**

Esta máquina tiene un motor de aspiración que utiliza cepillos de carbono. Los cepillos de carbono en el motor deben comprobarse una vez al año o cada 300 horas de funcionamiento, lo primero que suceda. Si alguno de los cepillos fuera inferior a 3/8 pulgadas (9,52 mm), sustituya ambos cepillos de carbono.

Para acceder al motor de aspiración:

- 1 Vacíe el depósito de la solución y de recuperación e incline la máquina hacia el lado.
- 2 **Ver la Figura 8.** Extraiga los (2) tornillos (A).
- 3 Incline la máquina hacia atrás erguida, agarre el manillar del operario (1) y presione para inclinar el conjunto de depósito de recuperación / solución hacia atrás.
- 4 Desconecte el cableado del motor de aspiración e incline el depósito de recuperación / solución hacia delante. **NOTA:** Anote los puntos de conexión para el nuevo montaje.
- 5 Desconecte la conexión de la tubería de recuperación (19).
- 6 **Ver la Figura 14.** Extraiga los (4) tapones del botón (A) y los (4) tornillos y arandelas (B).
- 7 Levante el depósito de recuperación (3) de la máquina.
- 8 Levante y saque motor de aspiración (C) del depósito de solución.

FIGURA 14

LOCALIZACIÓN DE AVERÍAS

Si las posibles causas indicadas a continuación no son el origen del problema, éste es un síntoma de algo más grave. Póngase en contacto inmediatamente con su Centro de Servicio Clarke.

DESCONEXIÓN DEL DISYUNTOR

El disyuntor (17) se encuentra situado en el manillar del operario; protege el circuito eléctrico y el motor del cepillo de daños debidos a condiciones de sobrecarga. Si se produce la desconexión del disyuntor, intente averiguar la causa.

Posibles causas de desconexión del disyuntor del cepillo (5 A):

- 1 Residuos atascados en la transmisión del cepillo (retire los residuos)
- 2 Ajuste del cepillo demasiado bajo (ajuste correctamente)
- 3 Cortocircuito eléctrico (revise la máquina en un Centro de Servicio Clarke o consulte a un electricista cualificado)

Una vez corregido el problema, pulse el botón para volver a conectar el disyuntor. Si el botón no queda pulsado, espere 5 minutos e inténtelo de nuevo. Si el disyuntor se desconecta una y otra vez, póngase en contacto con su Centro de Servicio Clarke.

MALA RECOGIDA DEL AGUA

Posibles causas:

- 1 Depósito de recuperación lleno (vacíe el depósito de recuperación)
- 2 Abra la tubería de drenaje del depósito de recuperación (sujete la tapa de la tubería o sustitúyala)
- 3 Tubería de recuperación no conectada a la zapata de aspiración (conecte la tubería a la zapata)
- 4 La tubería de recuperación está torcida o dañada (sustituya la tubería)
- 5 Fuga en la junta de la tapa del depósito de recuperación (sustituya la junta)
- 6 Residuos atrapados en la zapata de aspiración o en la tubería de recuperación (limpie la zapata de aspiración y la tubería de recuperación)

FLUJO DE SOLUCIÓN INADECUADO O INEXISTENTE

Posibles causas:

- 1 Depósito de solución vacío (llene el depósito de solución)
- 2 Cribas o tuberías de la solución obstruidas (lave las tuberías y las cribas)
- 3 Boquillas de pulverización obstruidas (limpie las boquillas)
- 4 Bomba averiada (póngase en contacto con una persona autorizada de servicio)
- 5 Botón de control de flujo variable mal ajustado en el modelo Wash & Rinse (ajuste el botón)

INYECCIÓN QUÍMICA INADECUADA O INEXISTENTE

Posibles causas:

- 1 Depósito de producto químico vacío (llene el depósito de producto químico)
- 2 Manguera de alimentación del depósito de producto químico limitada o dañada (limpie el depósito y elimine la limitación de la manguera)
- 3 Válvula de retención del inyector obstruida (desmante y limpie)
- 4 Boquilla graduada del inyector obstruida o incorrecta (limpie y compruebe la proporción de producto químico / instale una boquilla correcta)

ESPECIFICACIONES TÉCNICAS (según la instalación y comprobaciones de la unidad)

Modelo		Clean Track® 16	Clean Track® 18	Clean Track® 18 Wash & Rinse
Nº Modelo		56266000 56266132	56266001 56266133	56266002
Voltaje/frecuencia	V/Hz	120 / 50-60 220-240 / 50-60	120 / 50-60 220-240 / 50-60	120 / 50-60
Corriente nominal	Amp	12.5 7	12.5 7	12.5
Nivel de presión sonora (ISO 11201)	dB(A)/20µPa	68	68	68
Peso total	lbs/kg	170 / 77	213 / 97	217 / 98
Peso seco	lbs/kg	116 / 52	119 / 53	121 / 55
Vibraciones en los controles manuales (ISO 5349-1)	m/s ²	0,72m/s ²	0,72m/s ²	0,72m/s ²
Capacidad del depósito de solución		8 gal (30,3l)	13 gal (49,2l)	13 gal (49,2l)
L x W x H	pulgadas	44.5 x 19.5 x 37	44.5 x 19.5 x 37	44.5 x 19.5 x 37

TABLE DES MATIERES

	Page
Introduction	C-3
Pièces et service après-vente	C-3
Plaque d'identification.....	C-3
Déballage de la machine	C-3
Consignes de sécurité importantes	C-4
Instructions de mise à la terre	C-5
Apprenez à connaître votre machine	C-6 – C-7
Préparation de la machine	
Remplissage du réservoir de solution	C-8
Avant l'utilisation.....	C-8
Prévaporisation du tapis	C-8
Plan de nettoyage.....	C-8
Fonctionnement	
Fonctionnement de la machine	C-9
Utilisation des accessoires	C-9
Kits sols durs	C-9
Après utilisation	
Après utilisation de la machine.....	C-10
Maintenance	
Calendrier d'entretien	C-10
Maintenance de l'embout d'aspiration	C-10
Maintenance du gicleur	C-11
Maintenance de la grille de solution	C-11
Maintenance du cordon d'alimentation.....	C-11
Réglage de la pression de la brosse	C-11
Maintenance de la brosse mécanique.....	C-11
Enlèvement de la brosse	C-11
Maintenance par le personnel autorisé	
Retrait de la pompe de solution.....	C-12
Retrait de l'électrovalve (modèles standards)	C-13
Retrait de l'électrovalve (modèles Wash & Rinse™).....	C-14
Maintenance de l'injecteur DEMA (modèles Wash & Rinse™)	C-15
Retrait du moteur de brosse	C-16
Remplacement de la courroie d'entraînement de la brosse	C-17
Maintenance du moteur d'aspiration	C-18
Dépannage	C-19
Spécifications techniques.....	C-19

INTRODUCTION

Ce mode d'emploi vous permettra d'exploiter au maximum les fonctionnalités de votre extracteur Clarke™. Lisez-le donc attentivement avant d'utiliser votre machine.

Ce produit est uniquement destiné à un usage commercial.

PIECES ET SERVICE APRES-VENTE

Si nécessaire, les réparations doivent être effectuées par votre centre de service Clarke agréé. Ce dernier emploie du personnel formé en usine et maintient un inventaire des pièces de remplacement et des accessoires Clarke d'origine.

Pour tout entretien ou réparation, contactez le REVENDEUR CLARKE mentionné ci-dessous. Veuillez spécifier le modèle et le numéro de série de votre machine dans toute communication sur votre machine.

ALTÉRATIONS

Les altérations et ajouts d'éléments à la machine de lavage, qui affectent ses capacités et son fonctionnement sécurisé, ne doivent pas être réalisés sans le consentement préalable et écrit de Nilfisk-Advance Inc. Toute altération non approuvée annulera la garantie de la machine. En outre, le client sera entièrement responsable des accidents associés.

PLAQUE D'IDENTIFICATION

Le modèle et le numéro de série de votre machine figurent sur la plaque d'identification située derrière, à la base de la machine. Ces informations sont nécessaires lors de la commande de pièces détachées pour votre machine. Utilisez l'espace disponible ci-dessous pour consigner ces renseignements en vue d'une utilisation ultérieure.

MODELE _____

NUMERO DE SERIE _____

DEBALLAGE DE LA MACHINE

Lors de la livraison de la machine, veuillez inspecter soigneusement le carton de conditionnement et la machine elle-même afin de déceler tout dégât éventuel. En cas de dommage manifeste, conservez le carton de conditionnement afin d'en permettre l'inspection. Le cas échéant, prenez immédiatement contact avec le service clientèle de Clarke afin de faire une déclaration de dégât de fret.

AVERTISSEMENT !

Les Produits vendus avec le présent manuel contiennent ou peuvent contenir des produits chimiques reconnus par certains gouvernements (comme l'État de Californie, par le biais de la proposition de loi d'avertissement réglementaire 65) comme provoquant des cancers, des anomalies congénitales et autres dangers pour la reproduction. Dans certains endroits (comme l'État de Californie), les acheteurs de ces Produits, qui les utilisent sur un lieu de travail ou dans un espace public, ont l'obligation d'apposer certains avis, avertissements ou informations concernant les produits chimiques qui sont ou peuvent être contenus dans les Produits dans ces lieux ou aux alentours de ces lieux de travail. Il incombe à l'acheteur de connaître les dispositions de, et de respecter, toutes les lois et réglementations ayant trait à l'utilisation de ces Produits au sein de tels environnements. Le Fabricant rejette toute responsabilité d'informer les acheteurs concernant des exigences spécifiques qui peuvent s'appliquer à l'utilisation des Produits dans de tels environnements.

CONSIGNES DE SECURITE IMPORTANTES

Cette machine est destinée à un usage commercial et peut entre autres être utilisée dans les hôtels, écoles, hôpitaux, magasins et bureaux. Elle n'a donc pas été conçue pour l'entretien ménager.

Lorsque vous utilisez un appareil électrique, il y a certaines règles de base que vous devez toujours observer, dont celle énoncée ci-après.



Lire toutes les instructions avant d'utiliser l'appareil.



DANGER: Le fait de ne pas lire et de ne pas respecter toutes les consignes DANGER risque d'entraîner des blessures graves ou même la mort. Veuillez lire et respecter toutes les consignes DANGER figurant dans votre manuel d'utilisation et sur votre machine.



ATTENTION : Si vous ne lisez pas et ne respectez pas toutes les consignes ATTENTION, vous risquez de vous blesser ou de blesser d'autres personnes ; vous risquez également d'endommager du matériel. Veuillez lire et respecter toutes les consignes ATTENTION figurant dans votre manuel d'utilisation et sur votre machine.



ATTENTION: Le fait de ne pas lire et de ne pas respecter toutes les consignes ATTENTION risque d'endommager la machine ou d'autres équipements. Veuillez lire et respecter toutes les consignes ATTENTION figurant dans votre manuel d'utilisation et sur votre machine.



ATTENTION ! Afin de réduire les risques d'incendie, de décharge électrique ou de blessure :

1. Ne laissez pas l'appareil branché sur le secteur. Débranchez-le lorsque vous ne l'utilisez pas et avant de procéder à son entretien.
2. Afin d'éviter tout risque de décharge électrique, n'exposez pas l'appareil à la pluie. Utilisez-le et rangez-le uniquement à l'intérieur.
3. Elle ne doit pas être utilisée comme un jouet. Faites très attention lorsque l'appareil est utilisé à proximité d'enfants.
4. Utiliser cet appareil uniquement comme décrit dans ce manuel. N'utilisez que les accessoires recommandés par le fabricant.
5. Ne pas utiliser l'appareil si le cordon ou la prise sont endommagés. Si l'appareil ne fonctionne pas correctement, est tombé, endommagé, resté à l'extérieur, voire tombé dans l'eau, renvoyez-le au centre d'entretien.
6. Ne tirez et ne portez pas l'appareil par le cordon électrique. Ne l'utilisez pas non plus comme poignée et ne l'enroulez pas autour d'objets pointus ou tranchants. Evitez également de refermer une porte sur le cordon. Evitez de faire rouler l'appareil sur le cordon. Gardez le cordon à l'écart de toute surface chauffée.
7. Ne débranchez pas l'appareil en tirant sur le cordon. Pour ce faire, saisissez la prise et non le cordon.
8. Ne manipulez pas la prise, le cordon ou l'appareil avec les mains humides.
9. N'introduisez aucun objet dans les orifices de l'appareil. N'utilisez pas l'appareil si l'un de ses orifices est bloqué. Conservez à l'abri des poussières, cheveux, peluches, etc., qui risquent de réduire le flux d'air.
10. Prenez toutes les mesures nécessaires pour éviter que les cheveux, doigts, bijoux ou vêtements amples ne soient entraînés dans les parties mobiles de la machine ou pris dans une de ses ouvertures.
11. N'aspirez aucun objet brûlant ou fumant tel que des cigarettes, des allumettes, des cendres chaudes, ni aucune poussière nuisible à la santé.
12. Couper toutes les commandes avant de débrancher l'appareil.
13. Faire très attention en nettoyant des escaliers.
14. N'utilisez pas la machine pour ramasser des liquides inflammables ou combustibles tels que l'essence ou à proximité de telles substances.
15. Si de la mousse ou du liquide s'échappe avec l'air évacué, coupez immédiatement l'interrupteur principal. Adressez-vous à Clarke si le problème persiste.
16. Tout liquide éjecté du gicleur peut être dangereux en raison de sa température, de sa pression ou de sa nature chimique.
17. Utilisez uniquement les brosses fournies avec l'appareil ou celles spécifiées dans le manuel d'instructions. L'utilisation d'autres brosses peut mettre la sécurité en péril.
18. Effectuez le raccordement vers des prises correctement reliées à la terre. Voir « Instructions de mise à la terre ».
19. L'utilisation de cette machine n'est pas destinée aux personnes (notamment les enfants) qui souffrent de capacités physiques, sensorielles ou mentales diminuées, ou d'un manque d'expérience et de connaissances.

CONSERVEZ SOIGNEUSEMENT CES INSTRUCTIONS

INSTRUCTIONS DE MISE A LA TERRE POUR 120 VCA

Cet appareil doit être mis à la terre. En cas de mauvais fonctionnement, la mise à la terre établit un trajet de moindre résistance pour le courant électrique pour réduire le risque de décharge électrique. Cet appareil est équipé d'un cordon doté d'un conducteur de mise à la terre de l'équipement et d'une prise de mise à la terre. La prise doit être branchée dans une sortie appropriée correctement installée et mise à la terre en accord avec tous les codes et consignes locaux.

⚠ DANGER ! Un conducteur de mise à la terre d'équipement incorrectement branché peut entraîner un risque de décharge électrique. Vérifier avec un électricien ou un technicien qualifié en cas de doute sur la mise à la terre correcte de la prise. Ne modifiez pas la prise fournie avec l'appareil. Si elle ne peut

être branchée, faites installer une sortie appropriée par un électricien qualifié.

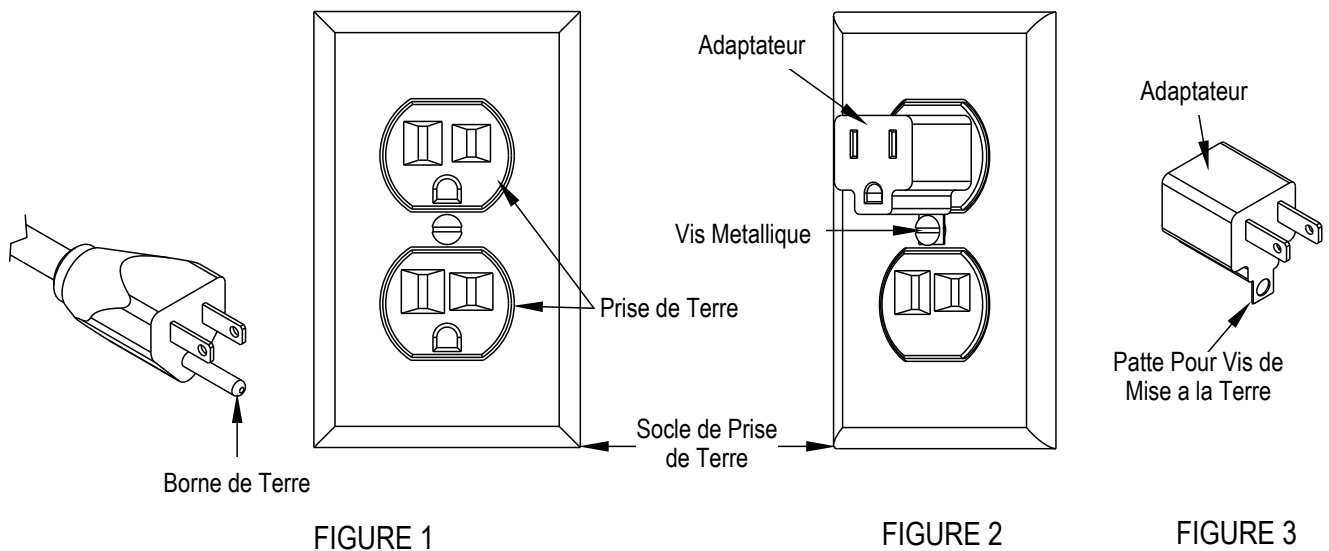
Cet appareil est destiné à être utilisé sur un circuit de 120 volts et possède une prise de mise à la terre illustrée sur la figure 1. Un adaptateur temporaire illustré sur les figures 2 et 3 peut être utilisé pour brancher cette dernière sur une prise fixe bipolaire, illustrée sur la figure 2, si une sortie correctement mise à la terre n'est pas disponible. L'adaptateur temporaire pourra être utilisé jusqu'à ce qu'une prise correctement mise à la terre (figure 1) soit installée par un électricien qualifié. La patte rigide, l'attache de couleur verte, ou autres du même genre, de l'adaptateur doit être connectée à une mise à la terre permanente telle qu'un couvercle de boîte de prise correctement mis à la terre. Lorsque l'adaptateur est utilisé, il doit être maintenu en position par une vis métallique. Les adaptateurs de mise à la terre ne sont pas conçus pour une utilisation au Canada.

Remplacez la prise si la broche de mise à la terre est endommagée ou cassée.

Le fil vert (ou vert/jaune) est le fil de mise à la terre. Lorsque vous remplacez la prise, ce fil doit être connecté à la broche de mise à la terre uniquement.

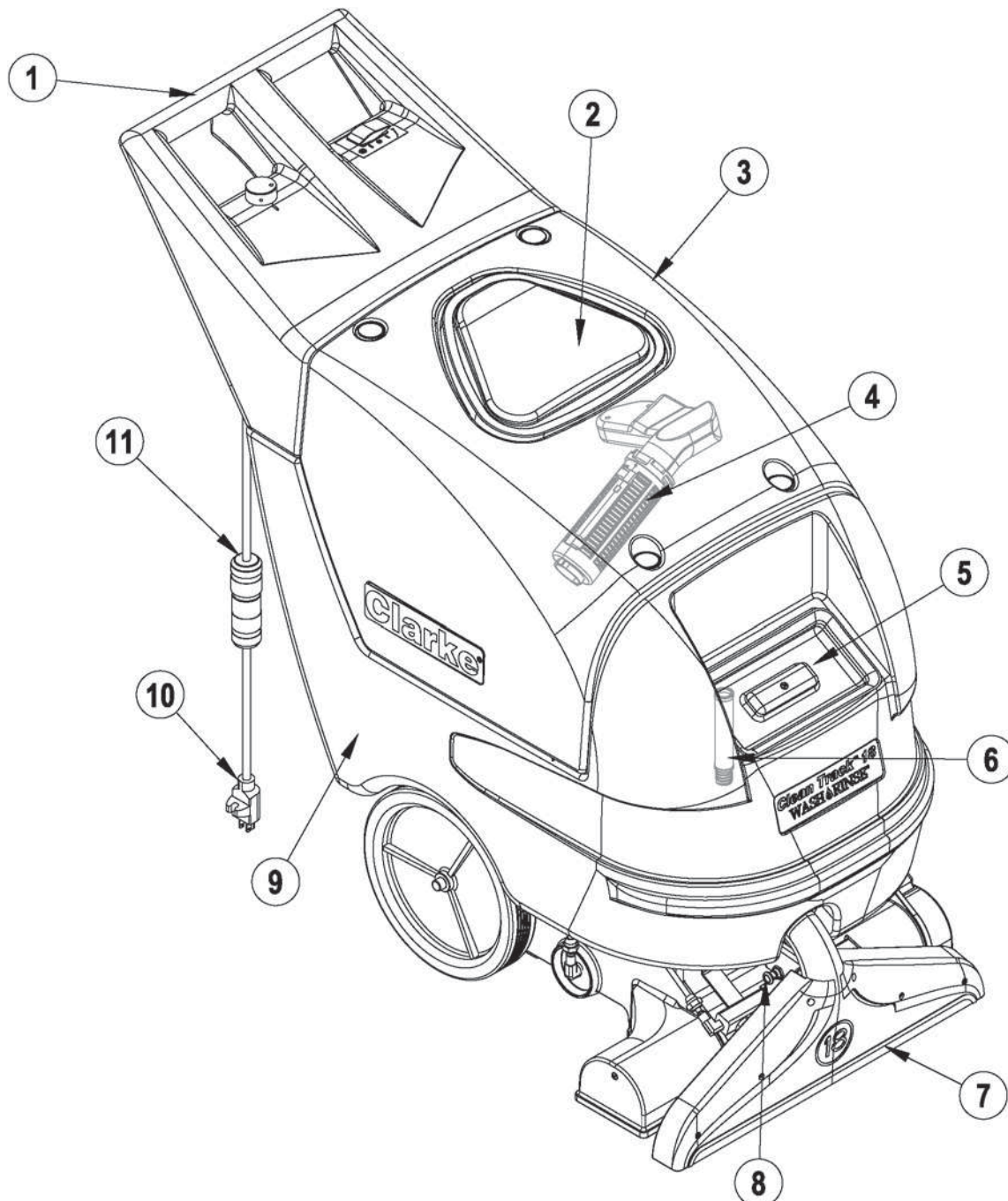
Les cordons prolongateurs connectés à cette machine doivent être des cordons à trois conducteurs de jauge 12, avec prises et sorties à trois broches. N'utilisez PAS des cordons prolongateurs de plus de 50 pieds (15 m).

REMARQUE : UNIQUEMENT POUR L'AMERIQUE DU NORD



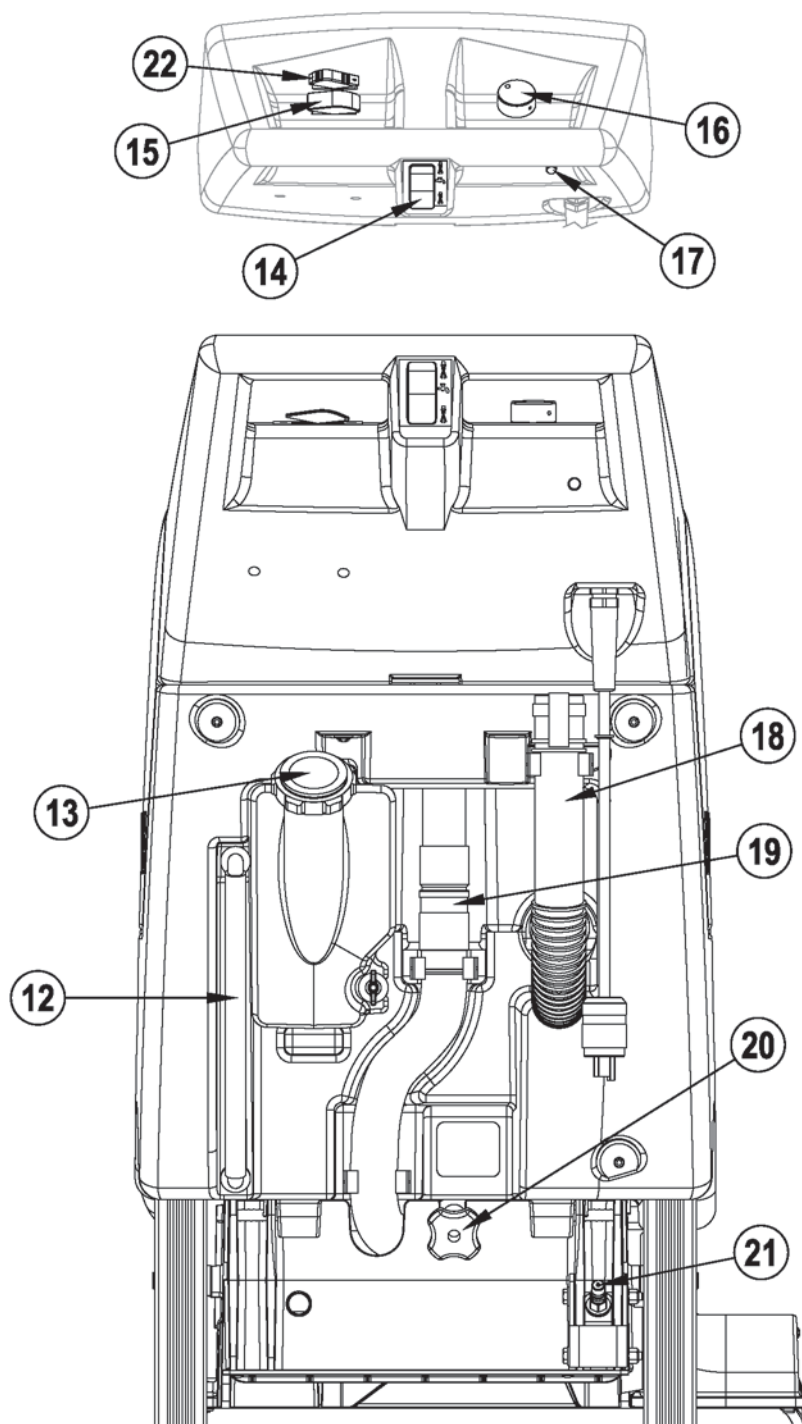
APPRENEZ À CONNAÎTRE VOTRE MACHINE

- 1 Poignée de l'opérateur
- 2 Couvercle du réservoir de récupération
- 3 Réservoir de récupération
- 4 Fermeture à flotteur automatique
- 5 Couvercle du réservoir de solution
- 6 Filtre de solution
- 7 Embout d'aspiration
- 8 Goupille de déverrouillage pour l'embout d'aspiration
- 9 Réservoir de solution
- 10 Cordon électrique (Clean Track® 18 Wash & Rinse)
- 11 Cordon en spirale (Cordon pleine longueur sur les modèles Clean Track® 16 et 18)



APPRENEZ À CONNAÎTRE VOTRE MACHINE (SUITE)

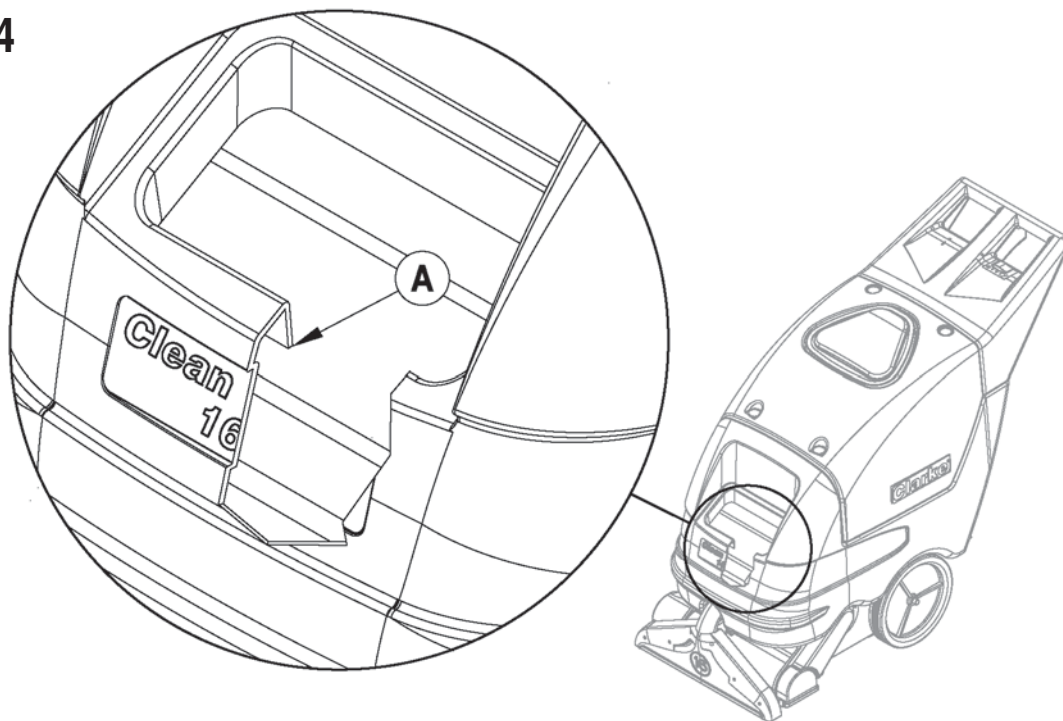
- 12 Indicateur de niveau/tuyau de vidange de la solution
- 13 Bouteille de produit chimique (Clean Track® 18 Wash & Rinse)
- 14 Commutateur de solution (constante/intermittente)
- 15 Commutateur d'alimentation et extraction / accessoire
- 16 Bouton de contrôle du débit variable (Clean Track® 18 Wash & Rinse)
- 17 Disjoncteur du moteur de brosse
- 18 Tuyau de vidange du réservoir de récupération
- 19 Raccordement du tuyau de récupération
- 20 Bouton de commande de pression de la brosse
- 21 Orifice de solution accessoire
- 22 Contact Alimentation Principale (230V)



PRÉPARATION DE LA MACHINE**REPLISSAGE DU RÉSERVOIR DE SOLUTION**

- 1 Mettez l'interrupteur d'alimentation (15 / 22) sur OFF (O), puis débranchez la machine.
- 2 Retirez le couvercle du réservoir de solution (5).
- 3 Lisez les instructions de dilution figurant sur le récipient d'agent chimique. Calculez ensuite la quantité appropriée d'agent chimique à mélanger avec la capacité en eau du réservoir de solution de votre machine. Modèles 18" : 13 gallons (49,21 litres)/modèle 16" : 8 gallons (30,28 litres).
- 4 **Voir Figure 4.** Versez l'agent chimique dans le réservoir de solution (9) et remplissez-le d'eau chaude (température maximale 54°C/130°F).
REMARQUE : veillez à ne pas faire déborder le réservoir de solution. Le point de remplissage maximal est lorsque le niveau de la solution atteint le bas de la lèvre (A) située devant l'ouverture du réservoir.
Clean Track® 18 Wash & Rinse : Remplissez la bouteille de produit chimique (13) située à l'arrière de la machine. Ne versez pas de produit chimique dans le réservoir de solution.
- 5 Remettez en place le couvercle du réservoir de solution (5).

⚠ ATTENTION ! N'utilisez que des détergents liquides peu moussants conçus pour l'extraction sur les tapis.

FIGURE 4**AVANT D'UTILISER LE MODELE CLEAN TRACK®**

Aspirez le tapis à nettoyer en profondeur à l'aide de l'extracteur automatique Clean Track®.

PRÉVAPORISATION DU TAPIS

Prévaporisez les taches et les zones de forte circulation avant l'extraction. Utilisez un vaporisateur à main ou pressurisé. Préparez le mélange de prévaporisation selon les indications du fabricant de produits chimiques.

PLAN DE NETTOYAGE

Avant de commencer l'extraction, examinez la zone à nettoyer et planifiez votre travail. Divisez l'espace en sections. Chaque passe doit se chevaucher de 5 cm.

FONCTIONNEMENT DE LA MACHINE

- 1 Conformez-vous aux instructions figurant à la section *Préparation de la machine* du présent manuel.
- 2 Appuyez sur le bouton de contrôle de pression de la brosse (20) afin que la machine ne soit plus en position de rangement.
- 3 Réglez le bouton de contrôle du débit variable (16) sur débit élevé, débit faible ou mode accessoire (modèle Clean Track® 18 Wash & Rinse uniquement).
Débit faible : flux de solution plus faible, recommandé pour les nettoyages de surfaces fréquents.
Débit élevé : flux de solution plus élevé, recommandé pour des nettoyages à fond moins fréquents.
Accessoire : Aucun débit de solution à partir des buses avant.
- 4 Branchez la machine sur une prise de courant correctement reliée à terre. Pour démarrer le moteur d'aspiration, la pompe de solution et le moteur de la brosse. Faites tourner le commutateur d'alimentation et d'extraction/accessoire (15) en position d'extraction (I) (symbole de la brosse). Tournez le contact "ALIMENTATION PRINCIPALE" (22) SUR (i) sur les modèles 230V.
- 5 Réglez la pression de la brosse. Tournez simplement le bouton de commande de pression de la brosse (20) dans le sens horaire inverse pour diminuer la pression de la brosse, et dans le sens horaire pour augmenter la pression de la brosse. La machine doit être assistée, mais ne pas se propulser elle-même (sur tapis) lorsque la brosse est correctement réglée.
- 6 La solution est distribuée de deux manières.
 - Lorsque l'interrupteur de solution (14) est sur la position « constant », la solution est distribuée de manière continue.
 - Lorsque l'interrupteur de solution (14) est sur la position « intermittent », la solution est distribuée uniquement lorsqu'on appuie sur l'interrupteur.
- 7 Procédez au nettoyage en tirant la machine le long d'une ligne droite et en veillant à ce que les passages se chevauchent sur environ 5 cm. Relâchez l'interrupteur de solution (14) si vous le maintenez en position « intermittent », ou arrêtez-le s'il est en position « constant » avant de tourner, afin de vous assurer que la solution est complètement extraite de la moquette.
- 8 Regardez le liquide entrer dans le réservoir de récupération. S'il y a beaucoup de mousse dans le réservoir de récupération, ajoutez-y un agent antimousse.

⚠ ATTENTION ! Videz le réservoir de récupération avant que le fluide ou la mousse ne parvienne au moteur d'aspiration.

S'il n'y a que peu ou pas de fluide qui entre dans le réservoir de récupération, vérifiez l'indicateur de niveau / tuyau de vidange de la solution (12), le réseau de solution pourrait être vide. Remplissez le réservoir de solution avec de l'eau et la proportion correcte de produit de nettoyage. Videz le réservoir de récupération à chaque fois qu'il est nécessaire de remplir le réservoir de solution.

- 9 Le réservoir de récupération est équipé d'un système de fermeture à flotteur automatique (4) qui empêche la solution de pénétrer dans le système d'aspiration lorsque le réservoir est plein. Une modification soudaine du bruit du moteur vous permet de dire quand le flotteur bloque le passage. Lorsque le flotteur ferme le réservoir de récupération, ce dernier doit être vidé. La machine peut continuer à distribuer de la solution, mais ne ramassera pas d'eau avec le flotteur fermé.
- 10 Lorsque l'opérateur souhaite arrêter de nettoyer ou lorsque le réservoir de récupération est plein, il doit relâcher ou arrêter l'interrupteur de solution (14). Tournez ensuite l'interrupteur d'alimentation sur OFF (O), puis débranchez la machine.
- 11 Poussez la machine vers un « SITE D'EVACUATION » des eaux usées et videz le réservoir de récupération. Pour le vider, tirez le tuyau de vidange du réservoir de récupération (18) de son dispositif de rangement à l'arrière, puis retirez le bouchon (maintenez l'extrémité au-dessus du niveau d'eau du réservoir afin d'éviter tout déversement accidentel d'eaux usées). Remplissez à nouveau le réservoir de solution et poursuivez le nettoyage.

UTILISATION DES ACCESSOIRES

Pour utiliser les outils accessoires, débranchez le tuyau de récupération au raccord (19). Raccordez le tuyau de récupération de l'accessoire au tuyau de récupération de la machine. Raccordez le tuyau de récupération de l'accessoire (conduite d'eau) sur l'orifice de solution accessoire (21) de la machine. Lorsque vous utilisez des outils accessoires, mettez le commutateur d'extraction/accessoire (15) en position accessoire (symbole de baguette). Sur le modèle Clean Track® 18 Wash & Rinse, vous devez également faire tourner le bouton de contrôle du débit variable (16) sur la position accessoire (symbole de baguette).

Veuillez contacter votre distributeur Clarke pour obtenir des renseignements sur les accessoires pouvant être utilisés avec le modèle Clean Track®.

KITS SOLS DURS

L'embout d'aspiration peut être enlevé et remplacé par une raclette (A) en option pour sols durs. Voir figure 5. L'embout d'aspiration s'enlève en tirant la goupille de déverrouillage (8), puis en retirant l'embout d'aspiration (7). Débranchez ensuite le tuyau de récupération (B) de l'embout d'aspiration et branchez-le sur la raclette. Montez la raclette sur la machine au même emplacement que l'embout d'aspiration : il suffit de tirer la goupille de déverrouillage et de glisser la raclette en place.

Veuillez contacter votre distributeur Clarke pour obtenir des renseignements sur les accessoires pouvant être utilisés avec le modèle Clean Track®.

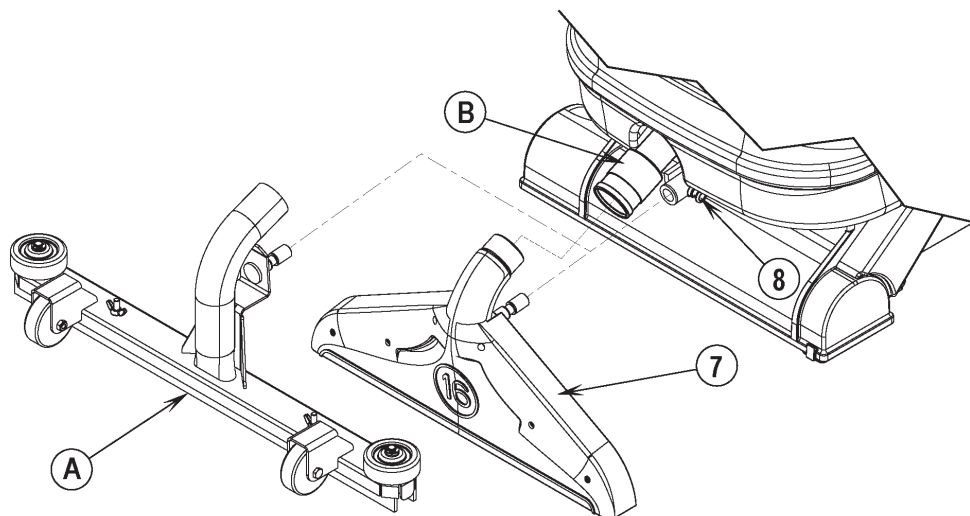


FIGURE 5

APRÈS UTILISATION DE LA MACHINE

- 1 Mettez l'interrupteur d'alimentation sur OFF (O) et débranchez le cordon électrique. Enroulez le cordon autour de la poignée de l'utilisateur (1).
- 2 Pour vider le réservoir de solution, retirez le tuyau de vidange (12) du raccord fileté supérieur du tuyau. Dirigez le tuyau sur un « SITE D'EVACUATION » des eaux usées désigné. Rincez le réservoir à l'eau claire. Vérifiez les tuyaux de solution et remplacez-les s'ils sont endommagés ou présentent une quelconque anomalie. Inspectez le filtre de solution (6).
- 3 Pour vider le réservoir de récupération, retirez le tuyau de vidange du réservoir de récupération (18) de son dispositif de rangement. Dirigez le tuyau de vidange vers un « SITE D'EVACUATION » des eaux usées désigné et enlevez le bouchon (maintenez l'extrémité au-dessus du niveau d'eau du réservoir afin d'éviter tout déversement accidentel d'eaux usées). Rincez le réservoir à l'eau claire. Vérifiez les tuyaux de récupération et d'aspiration, et remplacez-les s'ils sont endommagés ou présentent une quelconque anomalie.
- 4 Retirez la brosse, rincez à l'eau chaude et ôtez tous les fils, cheveux et fibres de tapis amassés.
- 5 Déconnectez le tuyau de récupération (19) du réservoir de récupération et rincez-le à l'eau chaude pour évacuer tous les débris qui pourraient se trouver dans le tuyau et dans l'assemblage des patins d'aspiration.
- 6 Essuyez la machine avec une patte humide. N'utilisez pas de produits chimiques abrasifs ou de solvants.
- 7 Avant de ranger la machine, effectuez toutes les tâches de maintenance nécessaires.

CALENDRIER D'ENTRETIEN

ELEMENT	Chaque jour	Chaque semaine	Chaque mois	Chaque année
Vérification / nettoyage de la brosse mécanique	•			
Vérification / nettoyage des réservoirs et tuyaux	•			
Vérification / nettoyage du flotteur d'arrêt d'aspiration	•			
Nettoyage de l'embout d'aspiration	•			
Inspection et nettoyage du filtre de solution		•		
Nettoyage des embouts de vaporisation			•	
*Vérification des brosses de carbone				•

* Demandez à un technicien d'entretien Clarke de vérifier les balais de carbone du moteur d'aspiration une fois par an ou toutes les 300 heures de fonctionnement. Les balais de carbone des moteurs de brosses doivent être vérifiés une fois par an ou toutes les 500 heures de fonctionnement.

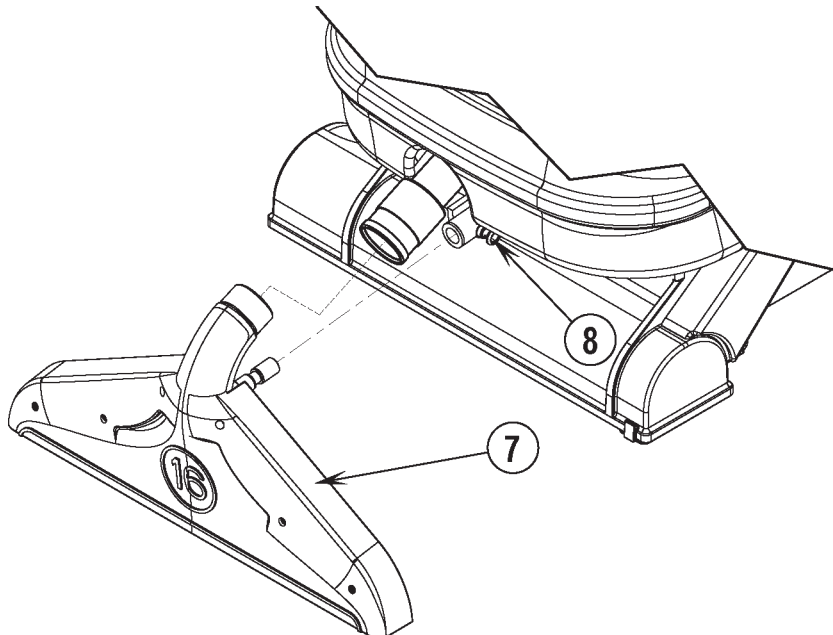
⚠ IMPORTANT ! Les dommages occasionnés au moteur suite à un manque d'entretien des balais de carbone ne sont pas couverts par la garantie. Consultez la Déclaration de responsabilité limitée.

- 8 Rangez la machine à l'intérieur, dans un endroit sec et propre, le couvercle du réservoir ouvert. Gardez-la à l'abri du gel.
- 9 Mettez la machine en position de stockage. Cela empêchera la brosse de s'abîmer et augmentera la durée de vie de la brosse tout en conservant son efficacité. Faites basculer la machine en arrière afin de décoller l'embout d'aspiration du sol, puis appuyez sur le bouton de commande de pression de la brosse (20) en le poussant vers le haut, jusqu'à ce que le bouton se verrouille en place.

MAINTENANCE DE L'EMBOU D'ASPIRATION

Vérifiez l'embout d'aspiration chaque jour. Otez tous les fils, cheveux et fibre de tapis amassés. Voir figure 6. L'embout d'aspiration s'enlève en tirant la goupille de déverrouillage (8), puis en retirant l'embout d'aspiration (7). Débranchez ensuite le tuyau de récupération de l'embout.

FIGURE 6



MAINTENANCE DU GICLEUR

Retirez les gicleurs (A) une fois par semaine. Voir Figure 7. Laissez tremper les gicleurs toute une nuit dans du vinaigre afin d'éliminer les dépôts chimiques. **REMARQUE** : Retirez-les en les saisissant et en les faisant tourner d'un quart de tour dans le sens inverse des aiguilles d'une montre.

MAINTENANCE DU FILTRE DE SOLUTION

Une fois par semaine (ou plus souvent si nécessaire), nettoyez le filtre de solution (6). Videz le réservoir de solution. Ouvrez le couvercle du réservoir de solution (5), glissez la main dans le réservoir de solution et retirez le filtre de solution en tirant dessus.

MAINTENANCE DU CORDON D'ALIMENTATION

Une fois par semaine (ou plus souvent si nécessaire), vérifiez le cordon d'alimentation : l'isolation ne présente aucune craquelure ou autre endommagement, il n'y a pas de fils dénudés dans le cordon ou la fiche, les broches ne sont pas endommagées et celle de mise à terre est présente. Réparez ou remplacez **immédiatement** le cordon ou la fiche endommagés.

RÉGLAGE DE PRESSION DE LA BROSSE

Faites simplement tourner le bouton de commande de pression de la brosse (20) dans le sens des aiguilles d'une montre pour augmenter la pression de la brosse, dans le sens inverse des aiguilles d'une montre pour diminuer la pression de la brosse.

MAINTENANCE DE LA BROSSE MÉCANIQUE

Vérifiez la brosse chaque jour. Otez tous les fils, cheveux et fibre de tapis amassés. Lorsque vous n'utilisez pas la machine, mettez-la en position de stockage. Cela empêchera la brosse de s'abîmer et augmentera la durée de vie de la brosse tout en conservant son efficacité.

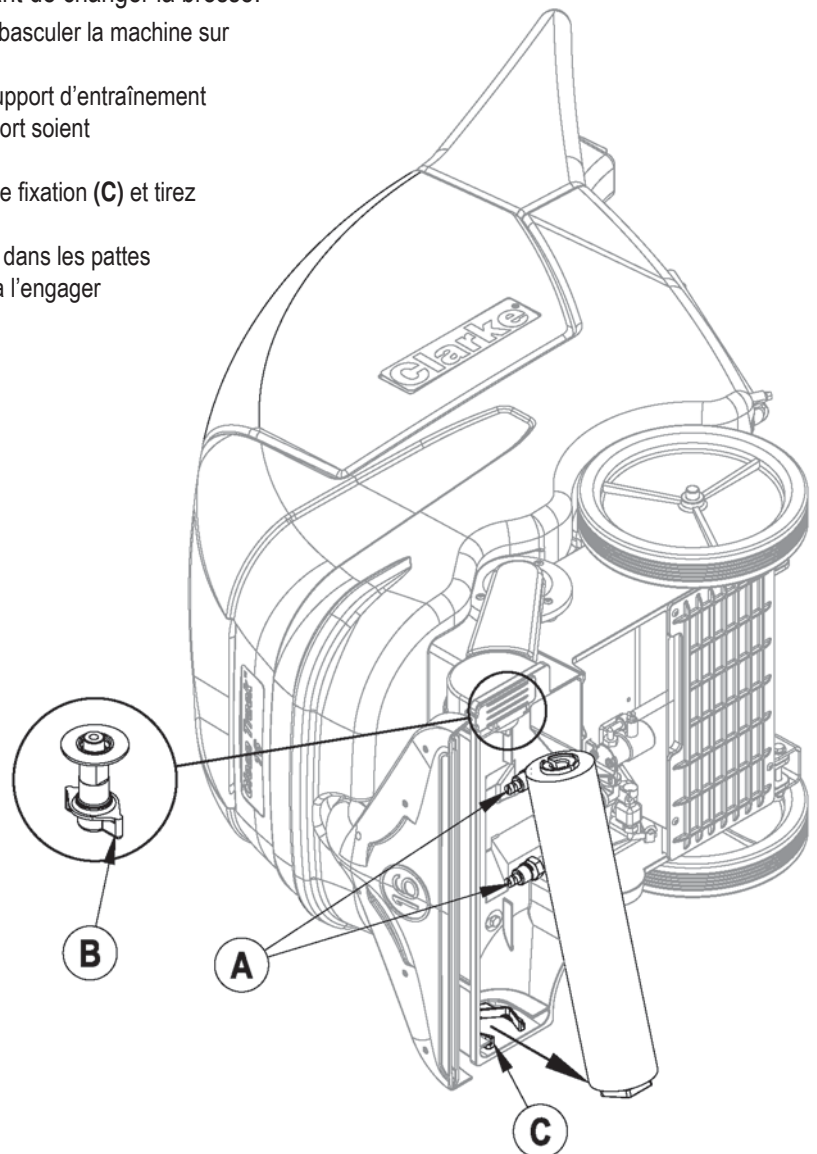
ENLEVEMENT DE LA BROSSE

⚠ ATTENTION !

Faites tourner l'interrupteur d'alimentation sur OFF (O) avant de changer la brosse.

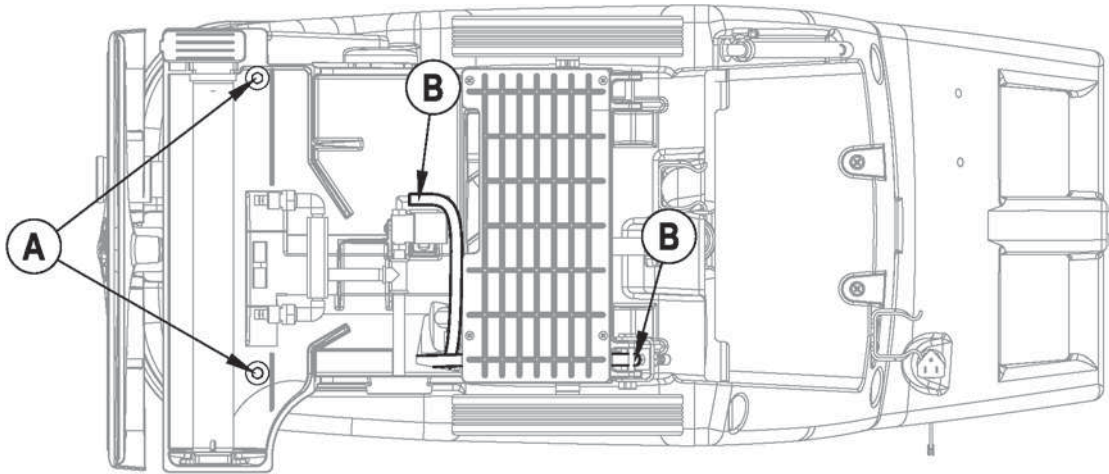
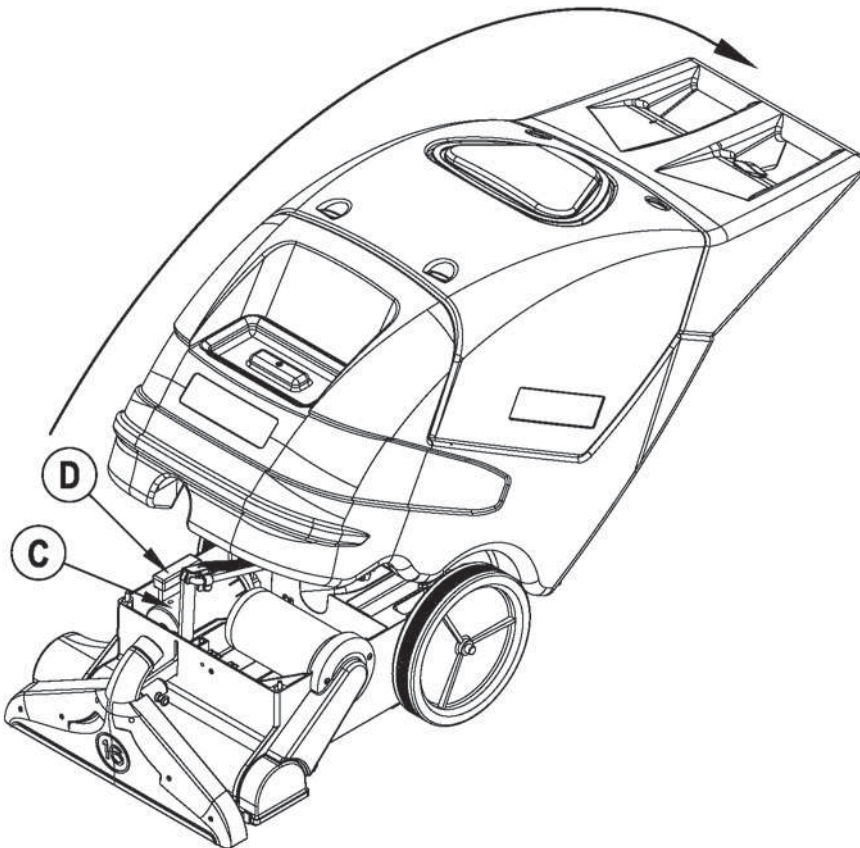
- 1 Videz les réservoirs de récupération et de solution et faites basculer la machine sur son côté droit.
- 2 Voir Figure 7. Faites tourner la brosse jusqu'à ce que le support d'entraînement (B) soit positionné de manière à ce que les ailettes du support soient perpendiculaires au fond de la machine.
- 3 Saisissez la brosse par l'extrémité engagée dans la pince de fixation (C) et tirez fermement pour dégager la brosse.
- 4 Montez une nouvelle brosse en insérant d'abord l'extrémité dans les pattes d'entraînement, puis en appuyant à l'autre extrémité jusqu'à l'engager complètement dans la pince de fixation.

FIGURE 7



MAINTENANCE PAR LE PERSONNEL AUTORISÉ**RETRAIT DE LA POMPE DE SOLUTION**

- 1 Vidangez les réservoirs de récupération et de solution et faites basculer la machine sur le côté.
- 2 **Voir Figure 8.** Retirez les (2) vis (A) et déconnectez les deux tuyaux de solution inférieurs (B) de la pompe de solution.
- 3 Remettez la machine en position droite, attrapez la poignée de l'utilisateur (1) et appuyez dessus pour faire rebasculer l'ensemble du réservoir de solution/récupération.

VUE DE LA MACHINE PAR EN-DESSOUS**FIGURE 8**

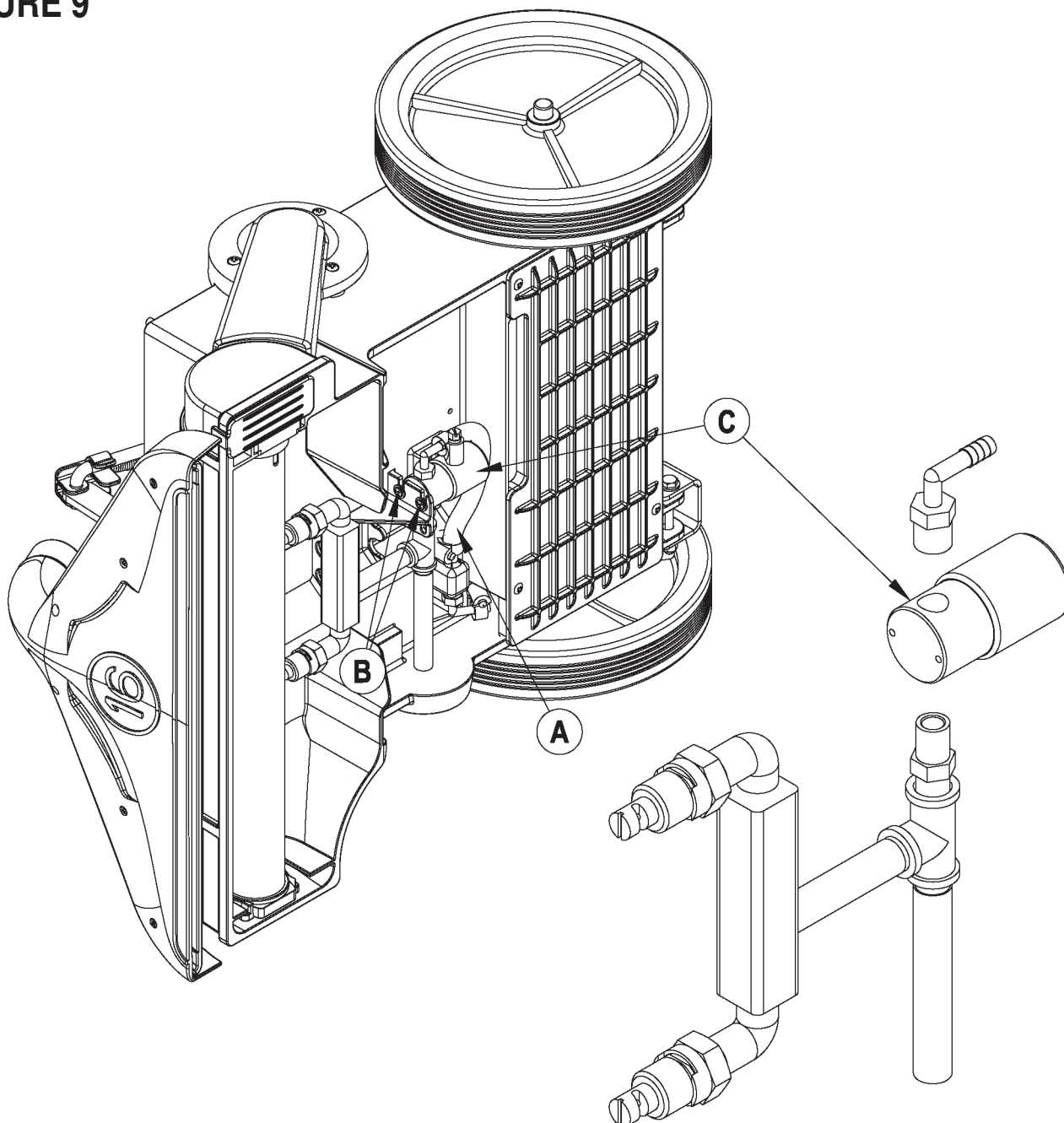
- 4 Déconnectez le tuyau de solution supérieur et les connecteurs de câblage de la pompe. Vous pouvez maintenant soulever la pompe (C) et la retirer de la base. **REMARQUE :** Souvenez-vous de l'orientation des fixations de la pompe (D) pour pouvoir les réassembler. Souvenez-vous des points de raccordement du câblage afin de pouvoir les réassembler.
- 5 Pour installer la pompe, suivez les étapes ci-dessus en sens inverse.

MAINTENANCE PAR LE PERSONNEL AUTORISÉ

RETRAIT DE L'ÉLECTROVALVE (MODÈLES STANDARDS)

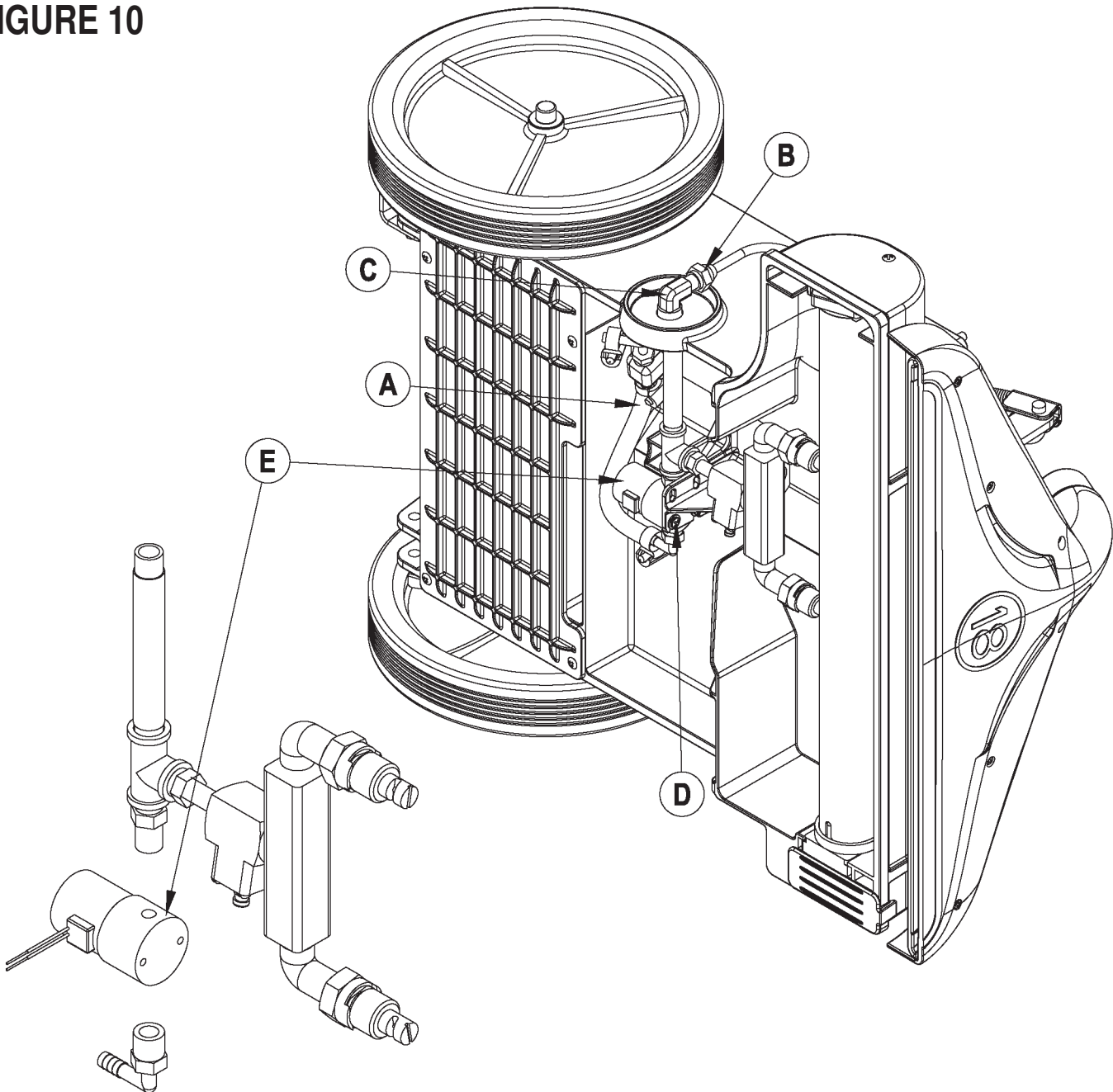
- 1 Vidangez les réservoirs de récupération et de solution et faites basculer la machine sur le côté.
- 2 **Voir Figure 8.** Retirez le (2) vis (A).
- 3 Remettez la machine en position droite, attrapez la poignée de l'utilisateur (1) et appuyez dessus pour faire rebasculer l'ensemble du réservoir de solution/récupération.
- 4 Déconnectez les (2) câbles de l'électrovalve. **REMARQUE :** Souvenez-vous de leurs points de raccordement afin de pouvoir les réassembler.
- 5 **Voir Figure 9.** Faites rebasculer la machine sur le côté et déconnectez le tuyau de solution (A) de la pompe de solution.
- 6 Retirez les (2) vis (B), puis retirez l'assemblage de buse de la machine. Vous pouvez maintenant facilement retirer l'électrovalve (C) de l'assemblage de buse.
- 7 Pour installer l'électrovalve, suivez les étapes ci-dessus en sens inverse.

FIGURE 9



MAINTENANCE PAR LE PERSONNEL AUTORISÉ**RETRAIT DE L'ÉLECTROVALVE (MODÈLE WASH & RINCE)**

- 1 Vidangez les réservoirs de récupération et de solution et faites basculer la machine sur le côté.
- 2 **Voir Figure 8.** Retirez le (2) vis (A).
- 3 Remettez la machine en position droite, attrapez la poignée de l'utilisateur (1) et appuyez dessus pour faire rebasculer l'ensemble du réservoir de solution/récupération.
- 4 Déconnectez les (2) câbles de l'électrovalve. **REMARQUE :** Souvenez-vous de leurs points de raccordement afin de pouvoir les réassembler.
- 5 **Voir Figure 10.** Faites rebasculer la machine sur le côté et déconnectez le tuyau de solution (A) de la pompe de solution.
- 6 Déconnectez le connecteur du tube (B) et retirez le coude (C).
- 7 Retirez les (2) vis (D), puis retirez l'assemblage de buse de la machine. Vous pouvez maintenant facilement retirer l'électrovalve (E) de l'assemblage de buse.
- 8 Pour installer l'électrovalve, suivez les étapes ci-dessus en sens inverse.

FIGURE 10

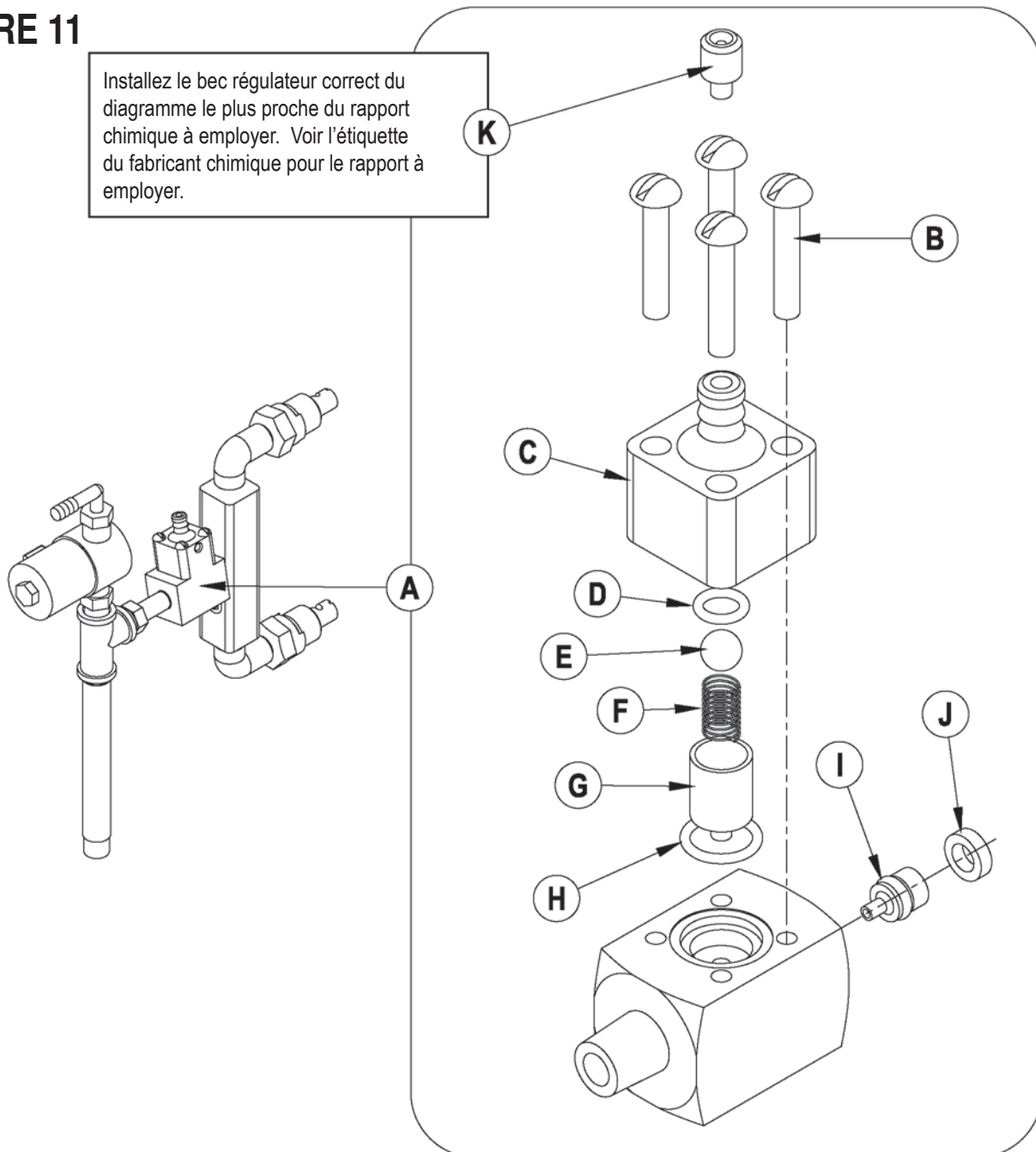
MAINTENANCE PAR LE PERSONNEL AUTORISÉ

MAINTENANCE DE L'INJECTEUR DEMA (MODÈLE WASH & RINCE)

- 1 Suivez les étapes 1 à 7 de la section RETRAIT DE L'ELECTROVALVE (MODELE WASH & RINSE).
- 2 **Voir Figure 11.** Retirez l'injecteur DEMA (A) de l'assemblage de buse.
- 3 Retirez les (4) vis (B) et démontez les composants (C, D, E, F, G, H, I & J). Nettoyez tous les composants et remettez-les en place.
REMARQUE : Si vous constatez des dépôts de calcaire dans l'injecteur, faites tremper toutes les pièces dans un produit détartrant afin d'éliminer ces dépôts.
- 4 Réassemblez l'assemblage de buse et suivez les étapes 1 à 7 de la section RETRAIT DE L'ELECTROVALVE (MODELE WASH & RINSE) en sens inverse.

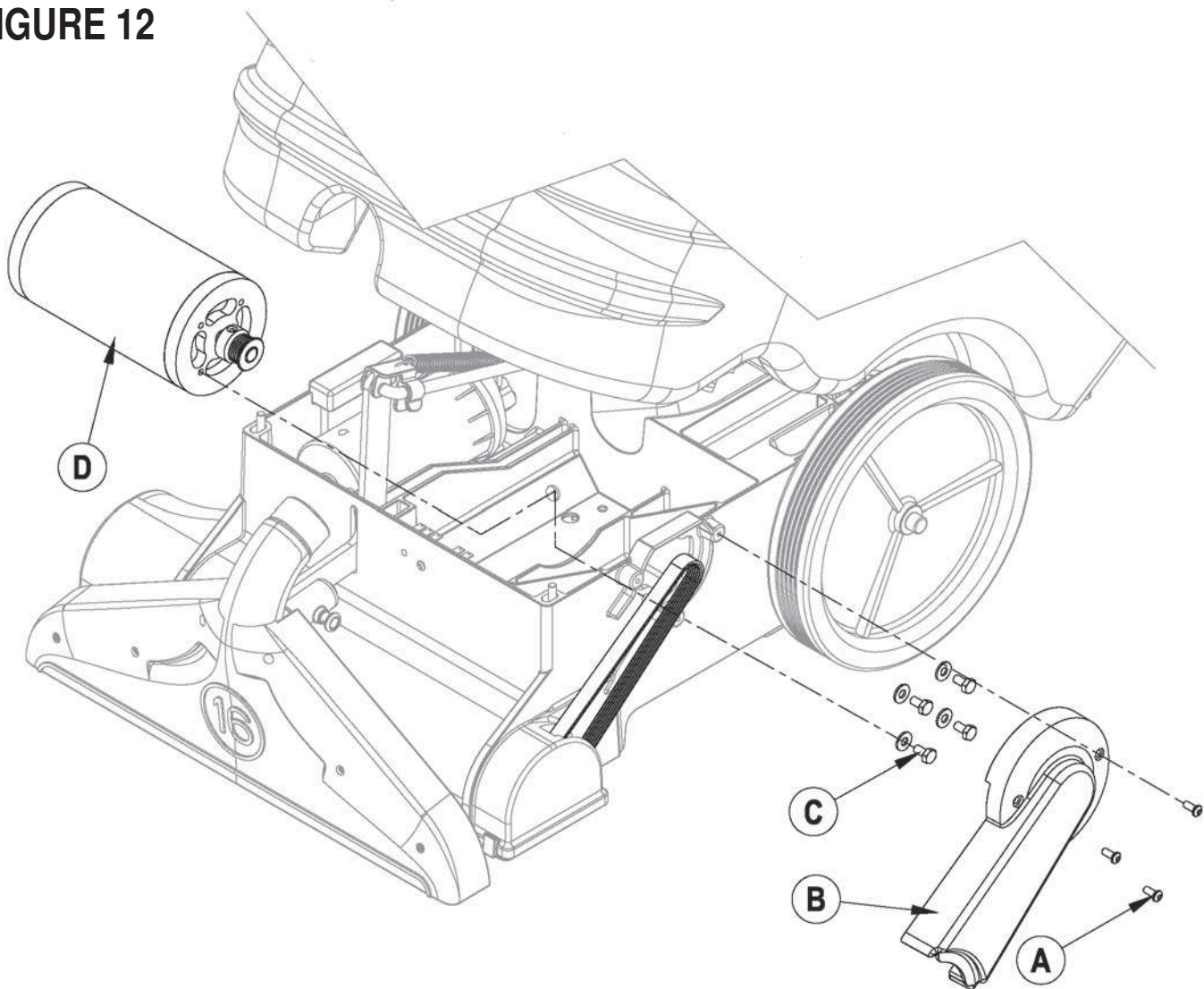
Buses graduées de l'injecteur (K)		
Couleur de l'extrémité	Taux	OZ/GAL (nominal)
Marron	102:1	1
Orange	75:1	1.5
Turquoise (installé en usine)	60:1	2
Rose	43:1	3

FIGURE 11



MAINTENANCE PAR LE PERSONNEL AUTORISÉ**RETRAIT DU MOTEUR DE BROSSE**

- 1 Vidangez les réservoirs de récupération et de solution et faites basculer la machine sur le côté.
- 2 **Voir Figure 8.** Retirez le (2) vis (A).
- 3 Remettez la machine en position droite, attrapez la poignée de l'utilisateur (1) et appuyez dessus pour faire rebasculer l'ensemble du réservoir de solution/récupération.
- 4 **Voir Figure 12.** Retirez les (3) vis (A), puis retirez la protection de la courroie (B).
- 5 Retirez la courroie de la poulie du moteur, puis retirez les (4) vis et rondelles (C).
- 6 Déconnectez le câblage du moteur de brosse puis retirez le moteur de brosse (D) de la machine. **REMARQUE :** Souvenez-vous des points de raccordement du câble afin de pouvoir les réassembler.
- 7 Pour installer le moteur de brosse, suivez les étapes ci-dessus en sens inverse. **REMARQUE :** Consultez la fiche d'instruction 56040906 pour l'installation de la courroie.

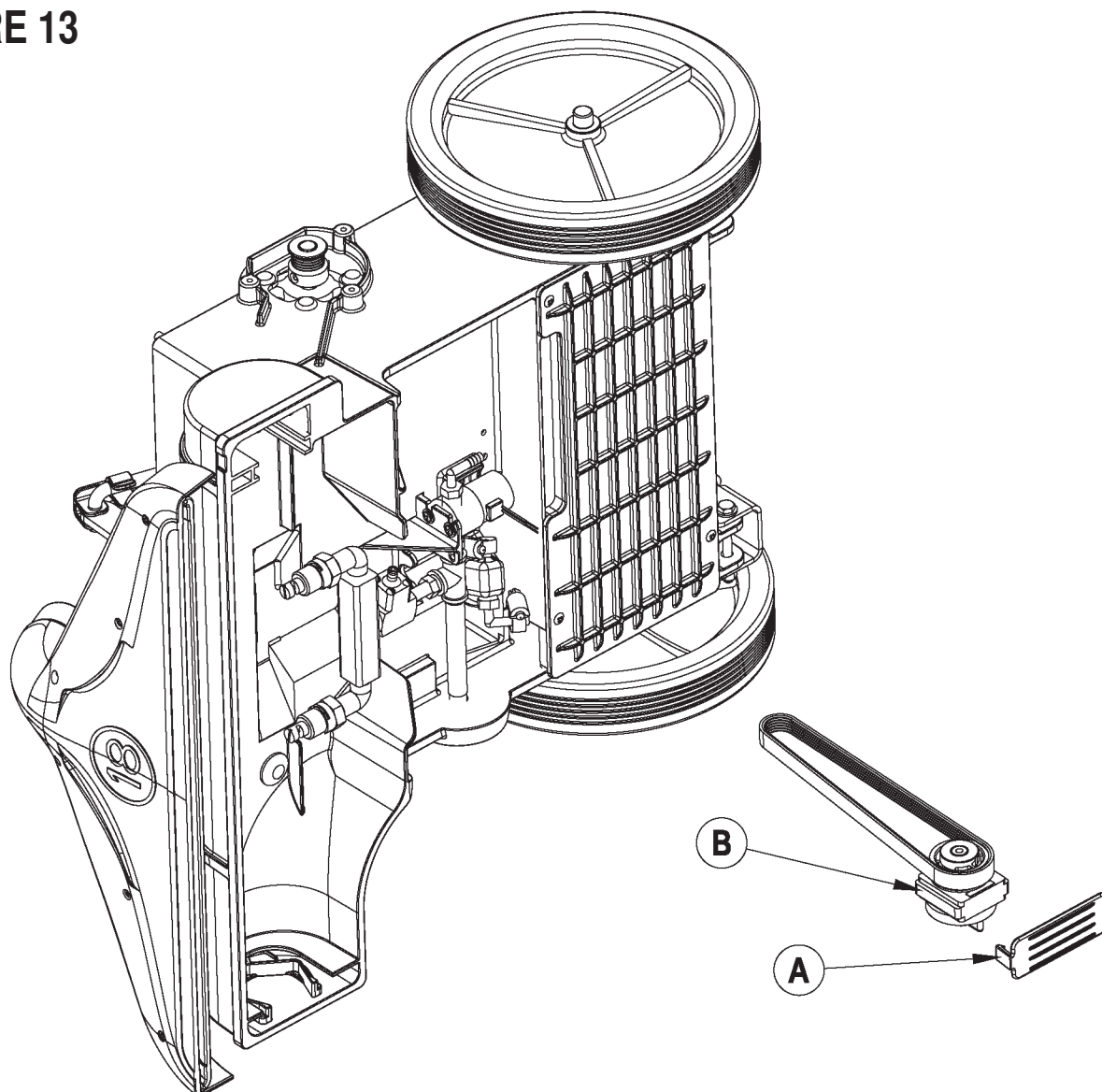
FIGURE 12

MAINTENANCE PAR LE PERSONNEL AUTORISÉ

REPLACEMENT DE LA COURROIE D'ENTRAÎNEMENT DE LA BROSE

- 1 Vidangez les réservoirs de récupération et de solution et faites basculer la machine sur le côté.
- 2 **Voir Figure 8.** Retirez le (2) vis (A).
- 3 Remettez la machine en position droite, attrapez la poignée de l'utilisateur (1) et appuyez dessus pour faire rebasculer l'ensemble du réservoir de solution/récupération.
- 4 **Voir Figure 12.** Retirez les (3) vis (A), puis retirez la protection de la courroie (B).
- 5 Retirez la courroie de la poulie du moteur.
- 6 Consultez la section *Enlèvement de la brosse* afin de retirer la brosse de la machine.
- 7 **Voir Figure 13.** Retirez le couvercle de la poulie (A), puis retirez le bloc de poulie et la courroie (B) du fond du logement en les faisant glisser.
- 8 Pour installer la courroie, suivez les étapes ci-dessus en sens inverse. **REMARQUE :** Consultez la fiche d'instruction 56040906 pour l'installation de la courroie.

FIGURE 13

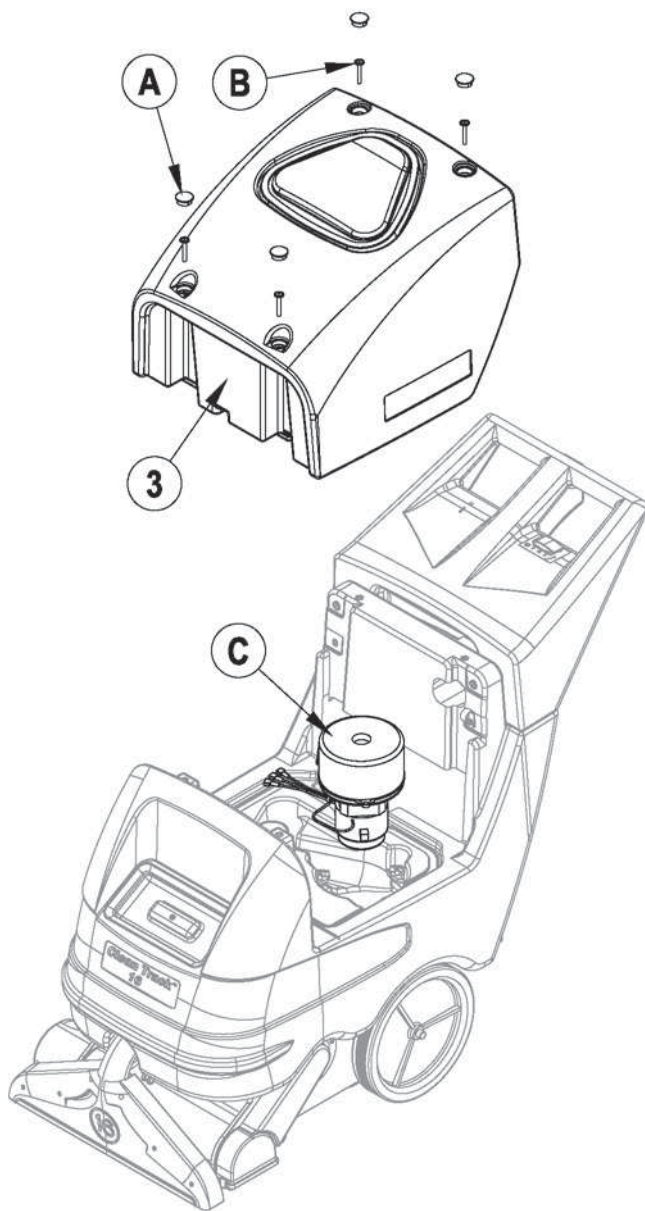


MAINTENANCE PAR LE PERSONNEL AUTORISÉ**MAINTENANCE DU MOTEUR D'ASPIRATION**

Cette machine est dotée d'un moteur d'aspiration qui utilise des brosses de carbone. Les brosses de carbone du moteur doivent être contrôlées une fois par an, ou toutes les 300 heures d'utilisation, selon le délai qui expire en premier. Si l'une des brosses mesure moins de 3/8 pouces, remplacez les deux brosses de carbone.

Pour accéder au moteur d'aspiration :

- 1 Vidangez les réservoirs de récupération et de solution et faites basculer la machine sur le côté.
- 2 **Voir Figure 8.** Retirez le (2) vis (A).
- 3 Remettez la machine en position droite, attrapez la poignée de l'utilisateur (1) et appuyez dessus pour faire rebasculer l'ensemble du réservoir de solution/récupération.
- 4 Déconnectez le câble du moteur d'aspiration et faites basculer l'assemblage du réservoir de récupération/solution vers l'avant. **REMARQUE :** Souvenez-vous des points de raccordement du câble afin de pouvoir les réassembler.
- 5 Déconnectez la connexion du tuyau de récupération (19).
- 6 **Voir Figure 14.** Retirez les (4) bouchons (A) et les (4) vis et rondelles (B).
- 7 Retirez le réservoir de récupération (3) de la machine en le soulevant.
- 8 Soulevez le moteur d'aspiration (C) et sortez-le du réservoir de solution.

FIGURE 14

DÉPANNAGE

Si les causes énumérées ci-dessous ne sont pas à la source du problème, cela signifie que vous êtes confronté à une panne plus sérieuse. Contactez immédiatement le service d'assistance de Clarke.

DÉCLENCHEMENT DU DISJONCTEUR

Le disjoncteur (17) se trouve sur la poignée de l'utilisateur ; il protège le circuit électrique et le moteur de la brosse contre les dommages provoqués par des conditions de surcharge. Si le disjoncteur déclenche, essayez d'en déterminer la cause.

Disjoncteur de la brosse (5 A). Causes probables :

- 1 Des débris sont enroulés autour de l'entraînement de la brosse (enlevez les débris)
- 2 Réglage de la brosse trop bas (procédez au réglage correct de la brosse)
- 3 Court-circuit électrique (appelez le Centre de service de Clarke ou un technicien qualifié pour qu'il vérifie la machine).

Une fois le problème résolu, appuyez sur le bouton pour réarmer le disjoncteur. Si le bouton ne reste pas armé, attendez 5 minutes, puis essayez à nouveau. Si le disjoncteur déclenche plusieurs fois de suite, contactez le Centre de service de Clarke.

MAUVAISE RÉCUPÉRATION DE L'EAU

Causes probables :

- 1 Le réservoir de récupération est plein (videz le réservoir de récupération)
- 2 Ouvrez le tuyau de vidange du réservoir de récupération (vérifiez ou remplacez le bouchon du tuyau de vidange)
- 3 Le tuyau de récupération n'est pas branché à l'embout d'aspiration (branchez le tuyau à l'embout de l'aspiration)
- 4 Le tuyau de récupération est tordu ou endommagé (remplacez le tuyau)
- 5 Fuite au niveau du joint du couvercle du réservoir de récupération (remplacez le joint)
- 6 Des débris sont coincés dans l'embout d'aspiration ou le tuyau de récupération (nettoyez l'embout d'aspiration et le tuyau de récupération)

FLUX DE SOLUTION INCORRECT OU INEXISTANT

Causes probables :

- 1 Le réservoir de solution est vide (remplissez le réservoir de solution)
- 2 Les conduites ou le filtre de solution sont encrassés (rincez les conduites et le filtre)
- 3 Les gicleurs sont bouchés (nettoyez les buses)
- 4 Pompe défectueuse (contactez une personne de service autorisée)
- 5 Le bouton de contrôle du débit variable est mal réglé sur le modèle Wash & Rinse (ajustez le bouton)

INJECTION DE PRODUIT CHIMIQUE INCORRECTE OU INEXISTANTE

Causes probables :

- 1 Le réservoir de produit chimique est vide (remplissez le réservoir de produit chimique)
- 2 Le tuyau d'alimentation du réservoir de produit chimique est encombré ou endommagé (nettoyez le réservoir et retirez ce qui encombre le tuyau)
- 3 Le clapet de non-retour de l'injecteur est bouché (démontez-le et nettoyez-le)
- 4 La buse graduée de l'injecteur est bouchée ou inadaptée (nettoyez et contrôlez le taux de produit chimique/installez une buse adaptée)

SPÉCIFICATIONS TECHNIQUES (suivant l'installation et les tests effectués sur l'appareil)

Modèle		Clean Track® 16	Clean Track® 18	Clean Track® 18 Wash & Rinse
N° du modèle		56266000 56266132	56266001 56266133	56266002
Tension/fréquence	V/Hz	120 / 50-60 220-240 / 50-60	120 / 50-60 220-240 / 50-60	120 / 50-60
Courant nominal	A	12.5 7	12.5 7	12.5
Niveau de puissance sonore (ISO 11201)	dB(A)/20µPa	68	68	68
Poids total	livres/kg	170 / 77	213 / 97	217 / 98
Poids sec	livres/kg	116 / 52	119 / 53	121 / 55
Vibrations au niveau des commandes manuelles (ISO 5349-1)	m/s ²	0,72m/s ²	0,72m/s ²	0,72m/s ²
Capacité du réservoir de solution		8 gal (30,3l)	13 gal (49,2l)	13 gal (49,2l)
L x W x H	pouces	44.5 x 19.5 x 37	44.5 x 19.5 x 37	44.5 x 19.5 x 37

Clarke®

Clean Track® *Clean Track®* *Clean Track® 18*
16 18 WASH & RINSE®

Section II Parts Manual

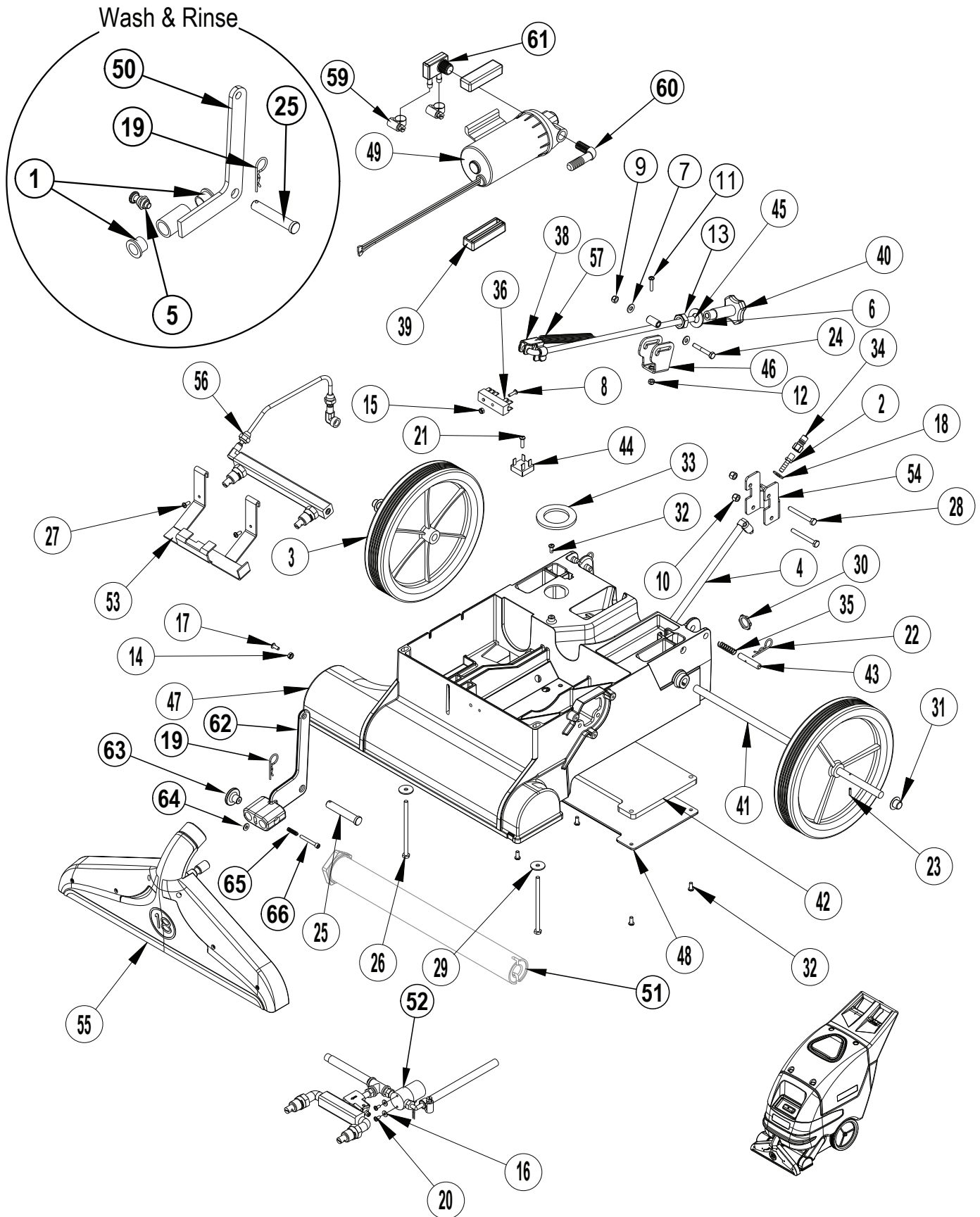
56041660

DESCRIPTION	PAGE
Base Assembly	2-3
Base Assembly (Nozzle Assemblies)	4-5
Brush Assembly	6-7
Decal System	8-9
Handle System	10-11
Recovery Tank Assembly	12-13
Solution Tank Assembly	14-15
Wiring Diagram-115V	16-17
Wiring Diagram-230V	18-19
Accessories	20

WHEN ORDERING PARTS

- * Use the part numbers from the "Ref. No." columns in this parts list.
- * Specify the model and serial number of the machine.
- * Use the space below to record the model and serial number for future reference.

Model _____ Serial No. _____



Item	Ref. No.	Qty	Description	Item	Ref. No.	Qty	Description
1	56171095	2	Bearing, Flange NOTE 2	36	56260071	1	Terminal Block
2	56220072	1	Fitting, 1/8npt X 1/4 Barb	38	56265031	1	Clip, Rod
3	56249505	2	Wheel	39	56265033	2	Mount, Pump
4	56456560	1	Hose, 15"	40	56109548	1	Knob, Brush Adjustment
5	56365548	1	Lock Pin Assy NOTE 2	41	56265057	1	Axle
6		1	Wsh, Flt SAE 5/8	42	56265071	1	Gasket, Exhaust
7		2	Wsh, Flt SAE 1/4	43	56265073	2	Pin, Pivot
8		1	Scr, Pan Phil 8-32 X .62	44	56265103	1	Rectifier, 35 Amp (D1)
9		1	Nut Stop Elastic 1/4 - 20 Hex	45	56265111	1	Adjustment Rod Weldment
10		2	Nut, Hex Nyl Loc SS 1/4-20	46	56265119	1	Latch, Adjustment
11		1	Scr, Pan Phil 10-24 X 1.00	47	56265020	1	Base, Extractor, 16
12		1	Nut, Hex Nyl Loc-Thin 10-24		56265120	1	Base, Extractor, 18
13		1	Nut, Hex Nyl Loc-Thin 5/8-11	48	56265172	1	Panel, Exhaust
14		1	Nut, Hex Nyl Loc-Thin SS 10-24	49	56265224	1	Pump 115V (M3) (Clean Track 16 & 18 / 115V)
15		1	Nut, Hex Nyl Loc-Thin 8-32		56265223	1	Pump 230V (M3) (Clean Track 16 & 18 / 230V)
16		2	Wsh, Flt SAE SS #8		56266027	1	Pump 115V (M3) (Clean Track 18 Wash & Rinse)
17		1	Scr, Pan Phil SS 10-24 X .50	50	56266029	1	Linkage Weldment, 18 NOTE 2
18		1	Wsh, Flt SAE SS 3/8	51			See Brush Assembly Pages
19		1	Pin, Cotter Hair	52	56266048	1	16 ST Nozzle Assy (Clean Track 16 & 18 / 115V) NOTE 1
20		2	Scr, Pan Phil SS 8-32 X .38		56266131	1	Nozzle Assy (230V) (Clean Track 16 & 18 / 230V) NOTE 1
21		1	Scr, Pan Phil Plastite 10-14 X .75	52	56266046	1	18 W/R Nozzle Assy (Clean Track 18 Wash & Rinse) NOTE 1
22		2	Pin, Cotter Hair .0915 X .375	53	56266051	1	Nozzle Bracket
23		1	Pin, Spr .12 X .56	54	56266060	1	Quick Disconnect Bracket
24		1	Screw 1/4 - 20 X 1 3/4 Hex St Cap	55	56266079	1	Shoe Assembly, 16
25		1	Pin, Clevis .50 X 2.75		56266077	1	Shoe Assembly, 18
26		2	Scr, Hex Loc SS 1/4-20 X 4.50	56	56266086	1	18" W/R Front Nozzle Assembly (Clean Track 18 Wash & Rinse) NOTE 1
27		2	Scr, Pan Phil Type A 10 X .50				
28		2	Scr, Hex SS 1/4-20 X 2.25	57	56398606	1	Spring, Ext .50 X 6.25
29		2	Wsh, Flt SS .260 X 1.000 X .074	59		3	Clamp, Hose SAE #4
30		1	Nut, Conduit Lock 1/2-14	60	56109566	1	Elbow, Solution Hose
31	56009097	2	Nut, Push Cap 1/2	61	56109503	1	Double Barb Assy
32		5	Scr, Pan Phil Plastite 10-14 X .50	62	56266097	1	Lever-Brush Adjustment NOTE 3
33	56200573	1	Gasket, Ring 1.75x2.75x.19	63	56265239	1	Knob NOTE 3
34	56220055	1	Plug	64	56002916	1	Wsh-Flt SAE SS 10 NOTE 3
35	56228142	2	Spring, Compression	65#	56384068	1	Spring-Left Wound-.255 O.D. NOTE 3
				66	56003761	1	Scr-Soc Hd SS 10-32 x 1.50 NOTE 3
				**	11143A	1	Kit, Base Assy Hardware

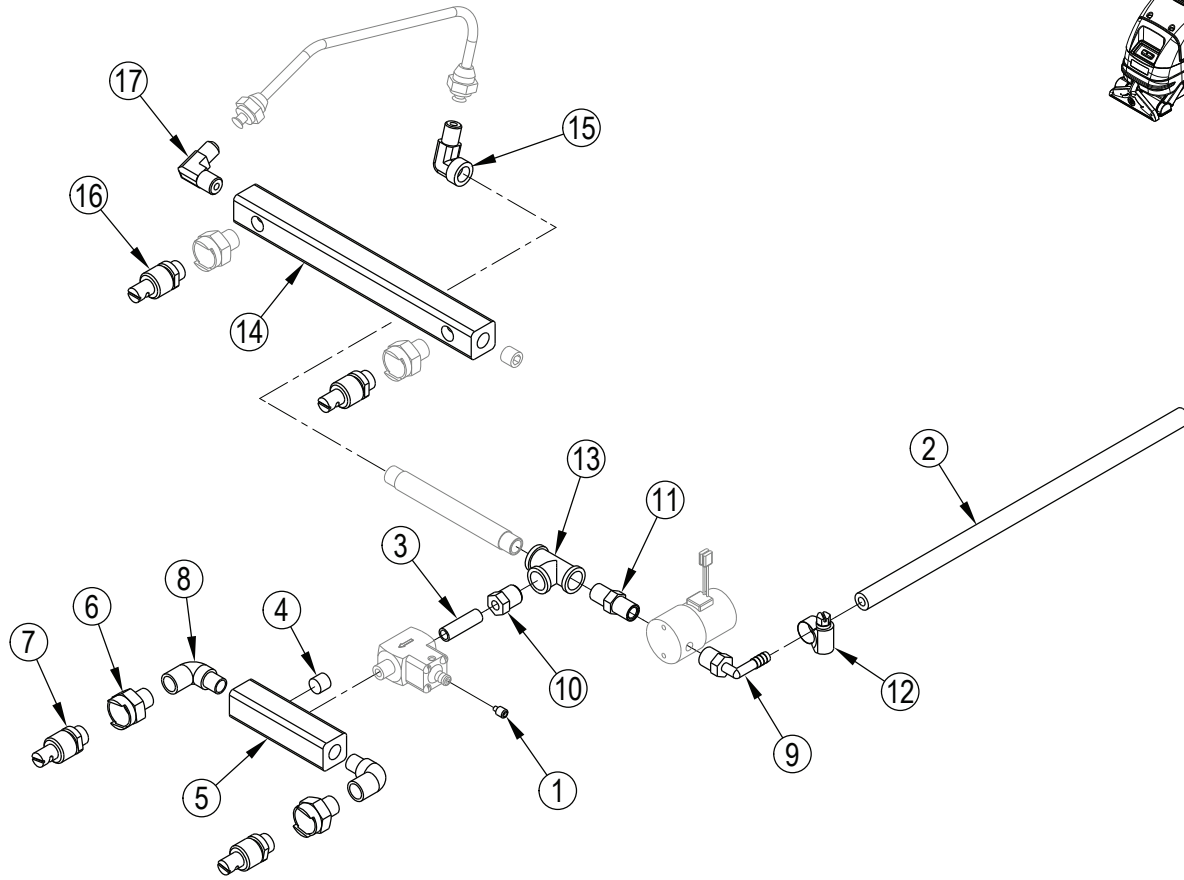
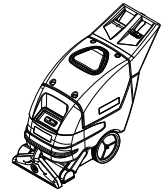
* = Not Shown

** = Optional, Not Included

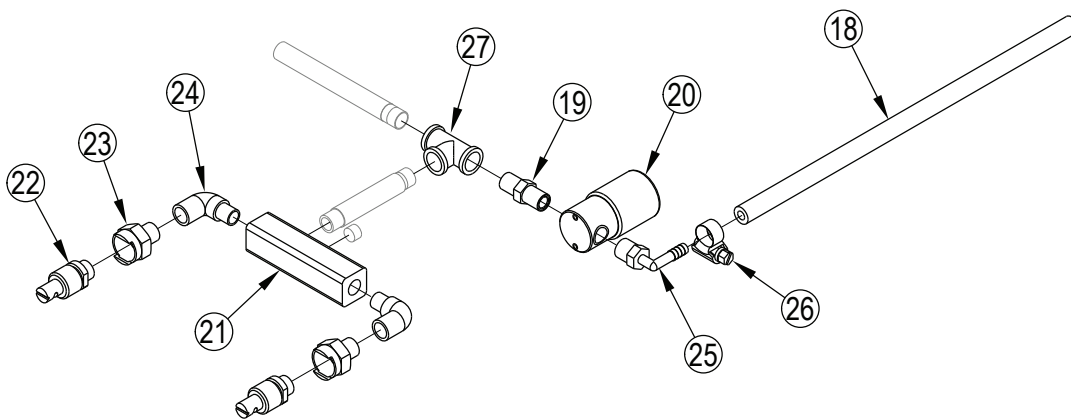
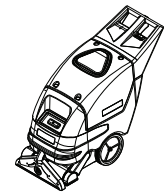
= Revised or new since last update

NOTE 1: Refer to "BASE ASSEMBLY (NOZZLE ASSEMBLIES)" for replacement parts.**NOTE 2:** These items are only used on the Clean Track 18 Wash & Rinse model 56266002.**NOTE 3:** These items are only used on the Clean Track 16 and Clean Track 18 models 56266000, 56266001, 56266132, 56266133.

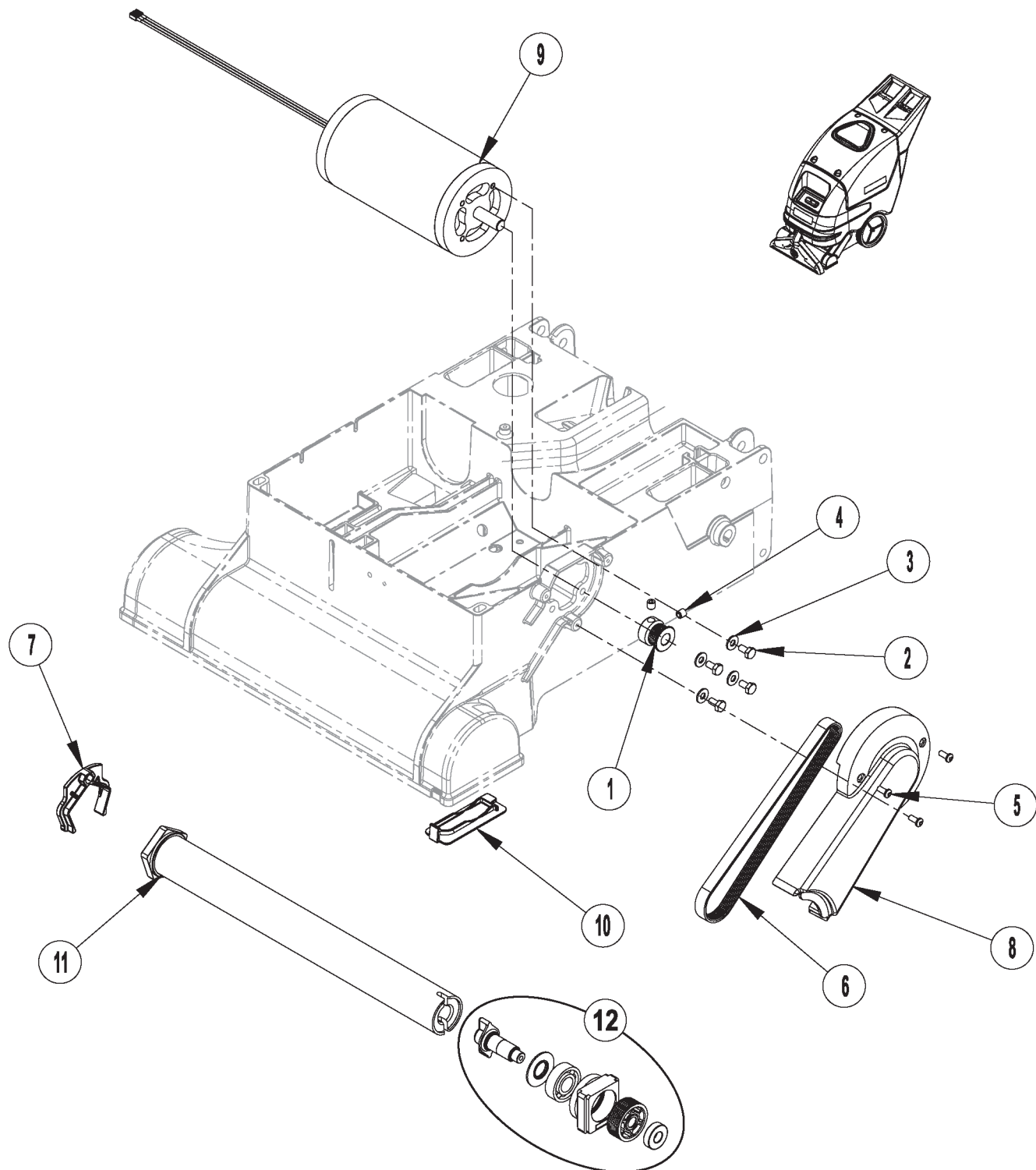
**56266086 / 56266046
Clean Track 18 Wash & Rinse**



**56266048 (115V)
56266131 (230V)
Clean Track 16 & 18**



Item	Ref. No.	Qty	Description
	56266086	1	18" W/R Front Nozzle Assembly (Clean Track 18 Wash & Rinse)
	56266046	1	18 W/R Nozzle Assy (Clean Track 18 Wash & Rinse)
1	51208A	1	Metering Tip, Turquoise (2.15 oz / gal)
	52828A	1	Metering Tip, Tan (1.25 oz / gal)
	52829A	1	Metering Tip, Orange (1.70 oz / gal)
	52831A	1	Metering Tip, Pink (3.00 oz / gal)
2	56220043	1	Solution Feed Hose
3	56266049	1	Nipple, 1/8npt X 1.25
4	56266055	1	Manifold, Plug 1/4
5	56266083	1	Manifold, Nozzle
6	56314578	2	Body, Nozzle Qjja
7	56317064	2	Nozzle, Spray #1
8	56369632	2	Elbow, 90 Street
9	56470138	1	Barb, 90 Elbow 1/4 X 1/4npt
10	56740214	1	Bushing, Reducer
11	56742317	1	Nipple, 1/4-18
12	56756364	1	Clamp- Hose Sae #4
13	56900027	1	Tee, Female Union
14	56266030	1	Manifold, Nozzle
15	56266062	1	Elbow, Female
16	56317064	2	Nozzle, Spray #1
17	56900024	1	Elbow, 90 Male 45 Flared
	56266048	1	16 ST Nozzle Assy (Clean Track 16 & 18 / 115V)
	56266131	1	Nozzle Assy (230V) (Clean Track 16 & 18 / 230V)
18	56260841	1	7.00 Hose
19	56742317	1	Nipple, 1/4-18
20	256265037	1	Valve, Solenoid (L1 / 115V)
	56265114	1	Valve, Solenoid (L1 / 230V)
21	56266083	1	Manifold, Nozzle
22	56266085	2	Nozzle, Spray #2
23	56314578	2	Body, Nozzle Qjja
24	56369632	2	Elbow, 90 Street
25	56470138	1	Barb, 90 Elbow 1/4 X 1/4npt
26	56756364	1	Clamp- Hose Sae #4
27	56900027	1	Tee, Female Union



06-12

BRUSH ASSEMBLY

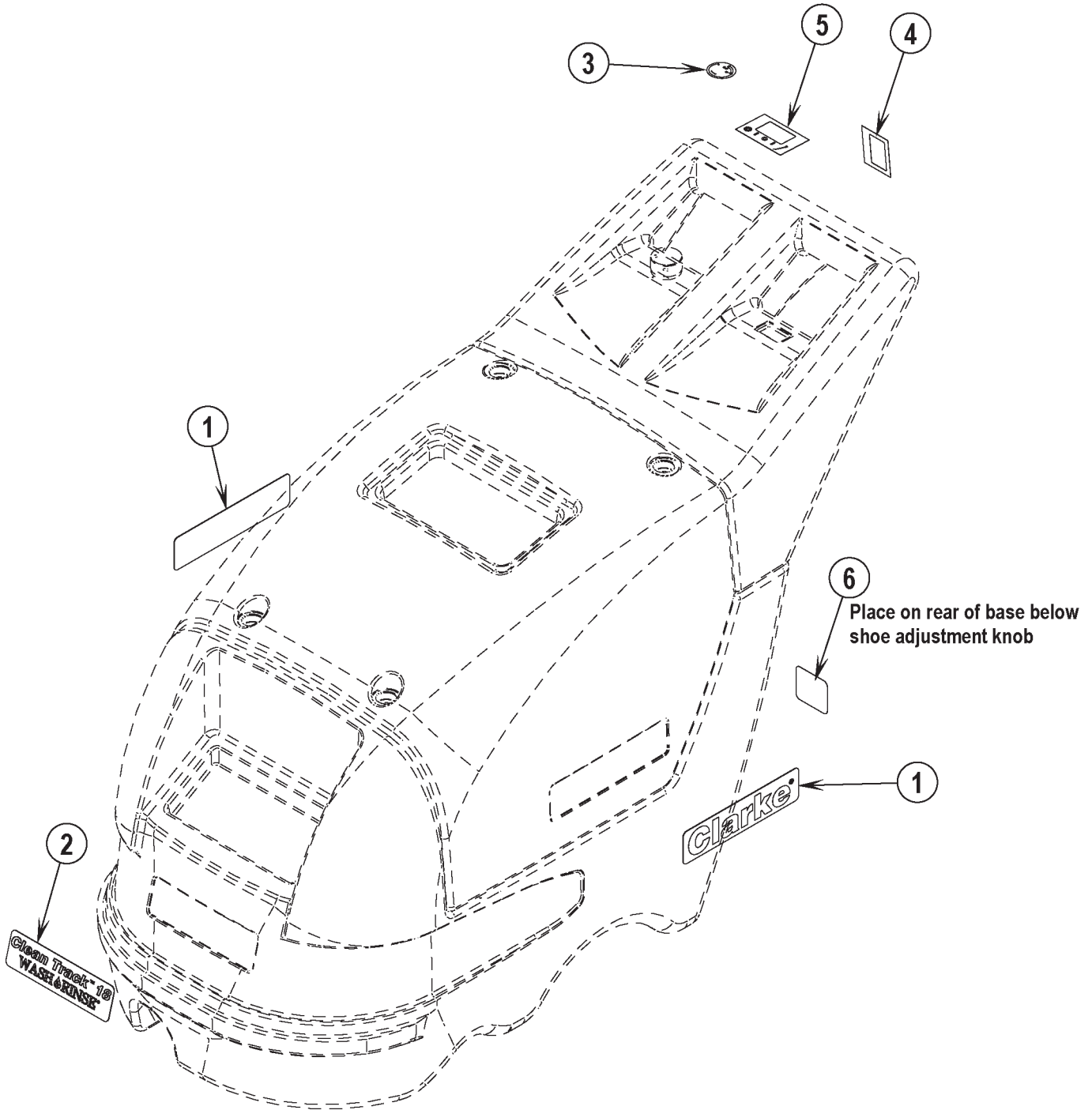
07-10

Clean Track® 16 / 18 / 18 Wash & Rinse**7**

Item	Ref. No.	Qty	Description
1	56262558	1	Sheave, Poly-V
2		4	Scr, Hex 1/4-20 X .50
3		4	Wsh, Flt SAE 1/4
4		2	Scr, Soc Set Loc 5/16-18 X .31
5	56009191	3	Scr, Pan Phil Plastite 10-14 X .50
6	56265024	1	Belt, Poly V
7	56265043	1	Clip, Brush Retainer
8	56265047	1	Belt Guard
9	56265075	1	Motor, 115 Vdc, 1/3 Hp (M2 / 115V)
	56265076	1	Motor, 230 Vdc, 1/3 Hp (M2 / 230V)
10	56265091	1	Cover, Pulley
11	56266032	1	Brush Assembly 16
	56266031	1	Brush Assembly 18
12	56265204	1	Bearing / Spindle Kit
**	11144A	1	Kit, Brush Assy Hardware

* = Not Shown

** = Optional, Not Included



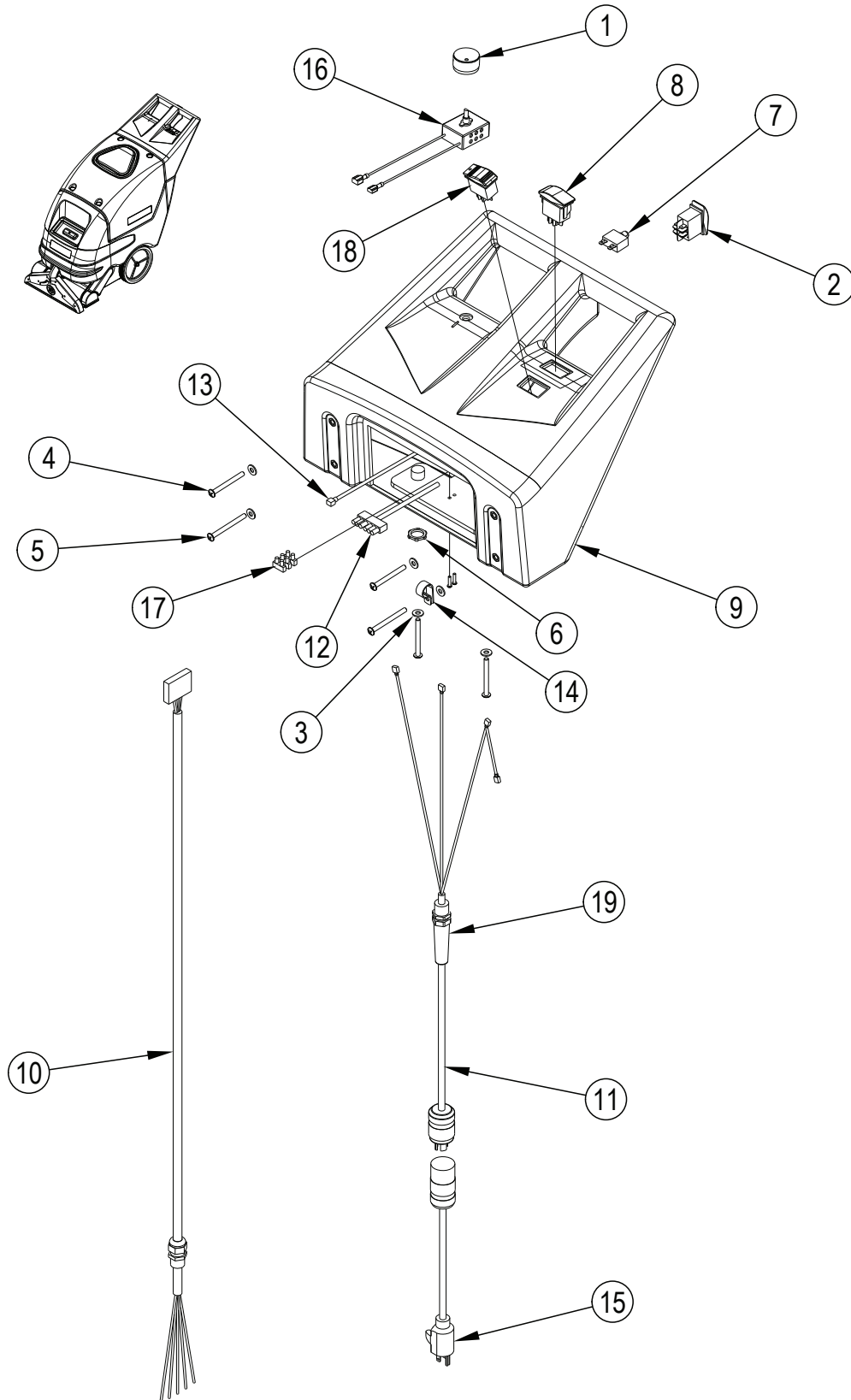
06-12

DECAL SYSTEM

07-10

Clean Track® 16 / 18 / 18 Wash & Rinse**9**

Item	Ref. No.	Qty	Description
1	56015309	2	Decal, Clarke
2	56015312	1	Decal, Clean Track 18 W/R (Clean Track 18 Wash & Rinse)
	56015311	1	Decal, Clean Track 18
	56015310	1	Decal, Clean Track 16
3	56015313	1	Decal, Variable Flow (Clean Track 18 Wash & Rinse)
4	56015318	1	Decal, Spray Nozzle
5	56015319	1	Decal, Brush / Wand (115V)
	56266136	1	Decal, Brush / Wand (230V)
6	56016718	1	Decal, Brush Pressure



Item	Ref. No.	Qty	Description
1	55502A	1	Knob-Solution Flow Module (Clean Track 18 Wash & Rinse)
2	56324272	1	Switch, Rocker (S2)
3		6	Wsh, Flt SAE SS 1/4
4		4	Scr, Pan Phil SS 1/4-20 X 2.50
5		2	Scr, Pan Phil SS 1/4-20 X 2.75
6	56009095	1	Nut, Conduit Lock 1/2-14
7	56265056	1	Circuit Breaker W/Boot (F1 / 115V)
	56265104	1	Circuit Breaker W/Boot (F1 / 230V)
8	56220001	1	Switch, Rocker (S1 / 115V)
	56393312	1	Switch, Rocker (S1 / 230V)
9	56266020	1	Handle (115V)
	56266135	1	Handle (230V)
10	56266043	1	Main Cable Assembly
11	56266074	1	Cord, Pigtail (Clean Track 18 Wash & Rinse)
*	56265162	1	Cord, Power 14/3 SJT (Clean Track 16 & 18 / 115V)
*	56265115	1	Cord Set, 3 x 1.5 Yellow (Clean Track 16 & 18 / 230V)
12	56266089	1	Wire Assy, Handle
13	56266090	1	Wire Assy, S1_To_F1
14	56486112	1	Clamp, P
15	40147a	1	Power Cord Assy (Clean Track 18 Wash & Rinse)
16	52504a	1	Variable Flow Control (S3 / Clean Track 18 Wash & Rinse)
17	56183523	1	Terminal Block (230V)
18	56209321	1	Switch, Rocker DPST (S4 / 230V)
19	56323136	1	Strain Relief
*	56266137	1	Wire Asm Blk 14 Awg X 9.00 (230V)
*	56266138	1	Wire Asm Grn/Wht 14 Awg X 8.00 (230V)
*	56266139	1	Wire Asm Blk 14 Awg X 16.00 (230V)
*	56266140	1	Wire Asm Wht 14 Awg X 16.00 (230V)
*	56266141	1	Wire Asm Wht 14 Awg X 10.00 (230V)
**	11145A	1	Kit, Handle Assy Hardware

* = Not Shown

** = Optional, Not Included

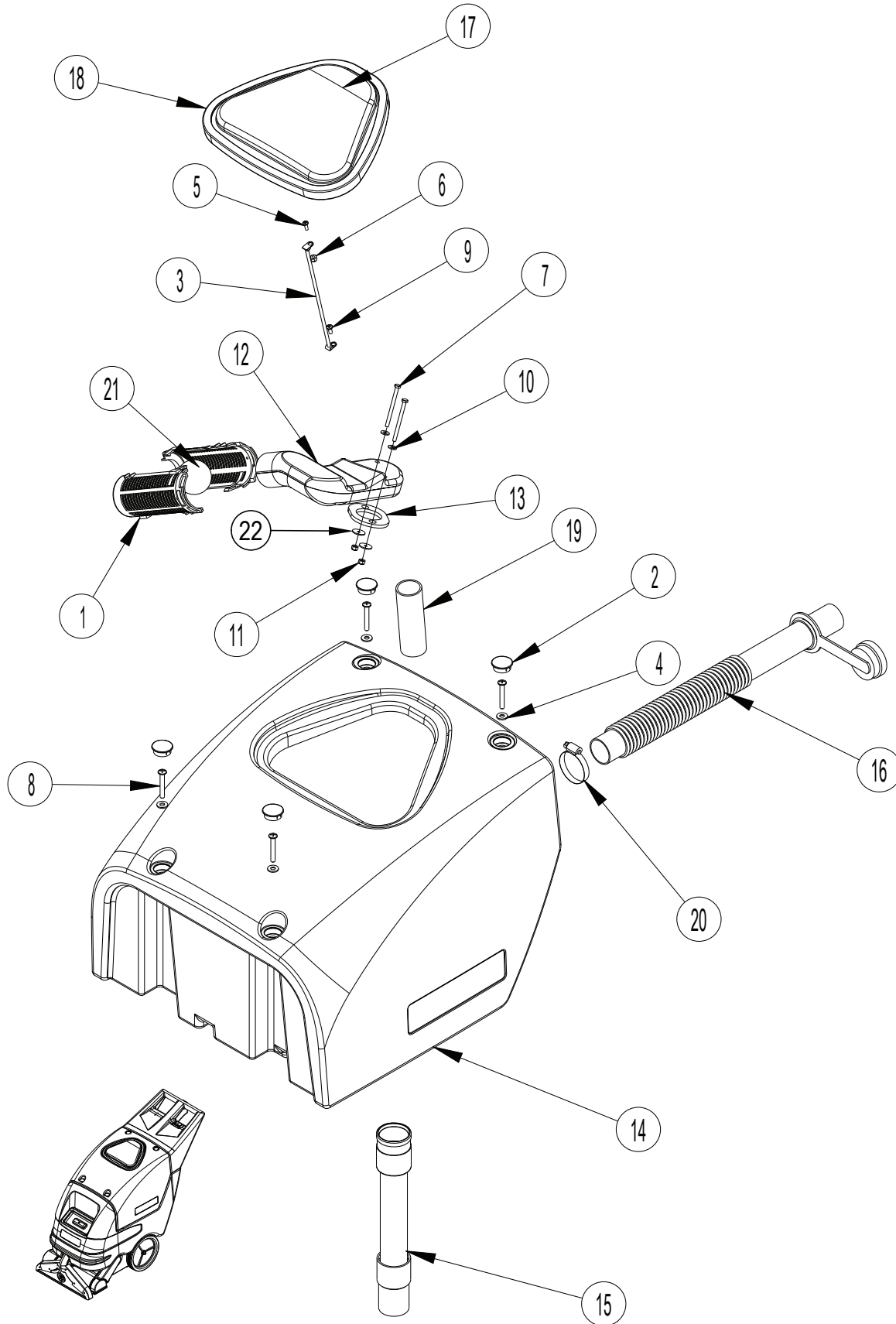
RECOVERY TANK ASSEMBLY

06-12

12

Clean Track® 16 / 18 / 18 Wash & Rinse

12-1



Item	Ref. No.	Qty	Description
1	56324497	2	Cage, Float
2	56416593	4	Plug Button 1.00
3	805USP	1	Cover Chain
4		4	Wsh, Flt SAE SS 1/4
5		1	Scr, Pan Phil SS 8-32 X .50
6		1	Nut, Hex Nyl Loc SS 8-32
7		2	Scr-Hex SS 10-24 X 2.00
8		4	Scr, Pan Phil SS 1/4-20 X 175
9		1	Scr, Pan Phil Type A 10 X .50
10		2	Wsh, Flt SS .219 X .500 X .047/.062
11	56002836	2	Nut Hex Nyl Loc SS 10-24
12	56265134	1	Duct, Float
13	56265163	1	Gasket
14	56266016	1	16" Recovery Tank Assembly
	56266018	1	18" Recovery Tank Assembly
15	56266068	1	Upper Recovery Hose Assembly
16	56266080	1	Hose, Drain 1.5 Inch
17	56266096	1	Recovery Lid
18	56266098	1	Gasket, Dome
19	56266106	1	Plastic Tube
20		1	Clamp, Hose SAE #24
21	56391690	1	Ball, Float
22	56009096	2	Wsh Flt .193X.875X.060
**	11146A	1	Kit, Recovery Tank Assy Hardware

* = Not Shown

** = Optional, Not Included

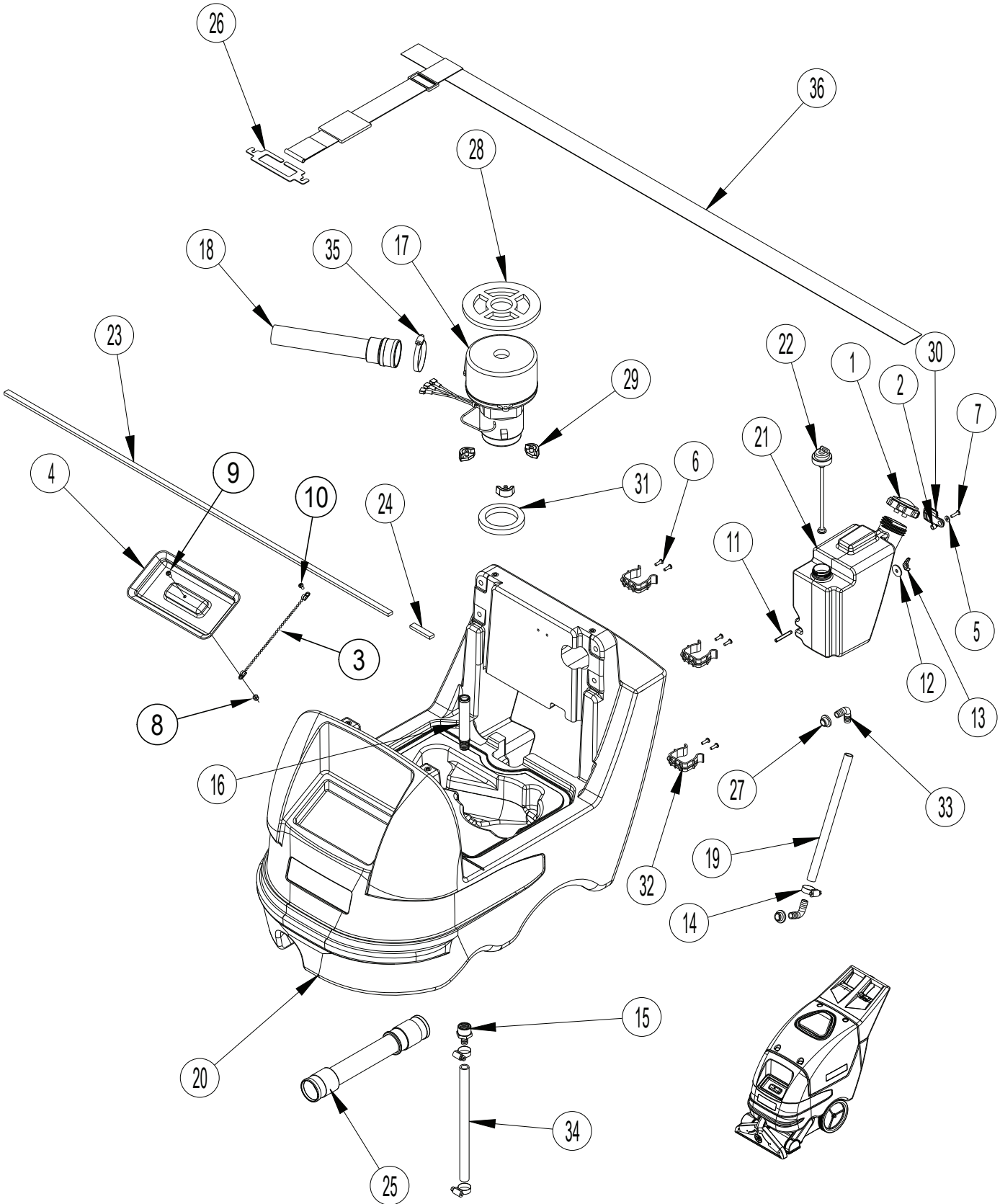
SOLUTION TANK ASSEMBLY

06-12

14

Clean Track® 16 / 18 / 18 Wash & Rinse

10-12



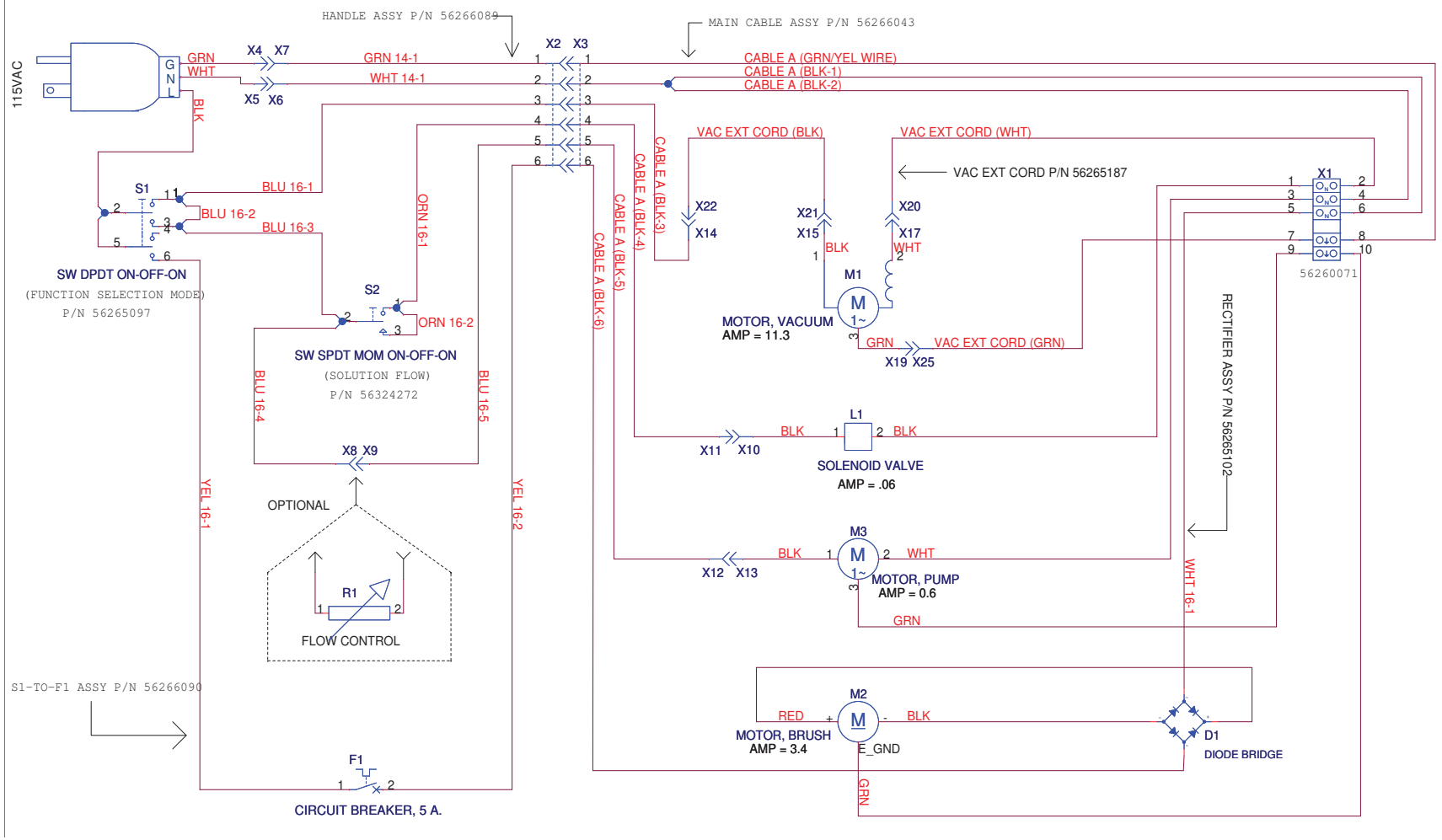
Item	Ref. No.	Qty	Description
1	56244866	1	Cap, Raw (Clean Track 18 Wash & Rinse)
2	56453849	1	Bushing .26x.37x.28 (Clean Track 18 Wash & Rinse)
3	56692409	1	Cover Chain
4	832322	1	Cover-Solution Tank
5		1	Wsh, Flt SAE 1/4 (Clean Track 18 Wash & Rinse)
6		6	Scr, Pan Phil 10-24 X .62
7		1	Scr, Pan Phil 1/4 X .75 (Clean Track 18 Wash & Rinse)
8		1	Nut, Hex Nyl Loc SS 10-24
9		1	Scr, Pan Phil SS 10-24 X .50
10		1	Scr, Pan Phil Type A 10 X .50
11	56003753	1	Stud, 1/4-20 X 1.75 (Clean Track 18 Wash & Rinse)
12		1	Wsh, Flt SS .260 X 1.000 X .074 (Clean Track 18 Wash & Rinse)
13	56009111	1	Nut, Wing SS 1/4-20 (Clean Track 18 Wash & Rinse)
14		3	Clamp, Hose SAE #6
15	56262190	1	Barb
16	56264137	1	Screen
17	56265096	1	Vac Motor, 120V (M1 / 115V)
*	56264453	1	Carbon Brush (set of 2) NOTE 1
	56265117	1	Vac Motor, 230V (M1 / 230V)
*	56264452	1	Carbon Brush (set of 2) NOTE 2
18	56265202	1	Vac Hose Assy
19	56387302	1	Tube PVC .500X11.00 E00604
20	56266017	1	Tank, Solution, 16"
	56266019	1	Tank, Solution, 18"
21	56266023	1	Chemical Tank Assembly (Clean Track 18 Wash & Rinse)
22	56266053	1	38 Mm Cap Assy, 90 X 1/4 Barb (Clean Track 18 Wash & Rinse)
23	56266056	1	Gasket, RS Strip (16")
	56266057	1	Gasket, RS Strip (18")
24	56266058	1	Gasket, RS Strip
25	56266069	1	Lower Recovery Hose Assembly
26	56266072	1	Ergoex Belt Bracket
27	56266073	2	Grommet, Drain
28	56266094	1	Vacuum Motor Gasket
29	56314484	3	Mount, Vibration
30	56314617	1	Latch, Plastic (Clean Track 18 Wash & Rinse)
31	56314760	1	Gasket, Vacuum Duct
32	56331154	3	Clamp, Plastic
33	56386183	2	Barbed Elbow 90
34	56407267	1	Hose, Spiral .50
35		1	Clamp, Hose SAE #32
36	61088a	1	Ergoex Belt
**	11147A	1	Kit, Solution Tank Assy Hardware

* = Not Shown

** = Optional, Not Included

NOTE 1: Replacement parts for 56265096**NOTE 2:** Replacement parts for 56265117

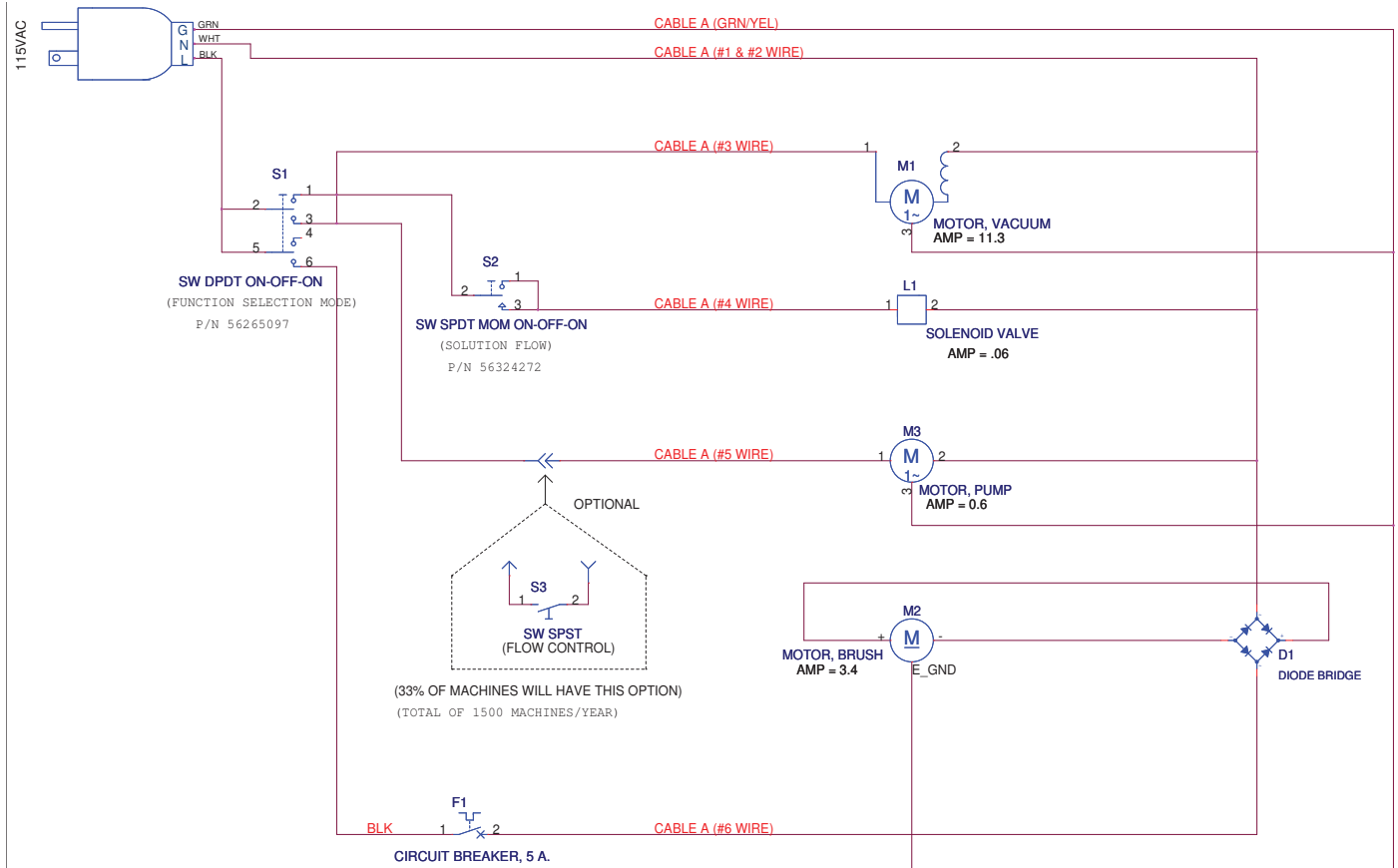
FORM NO. 56041660

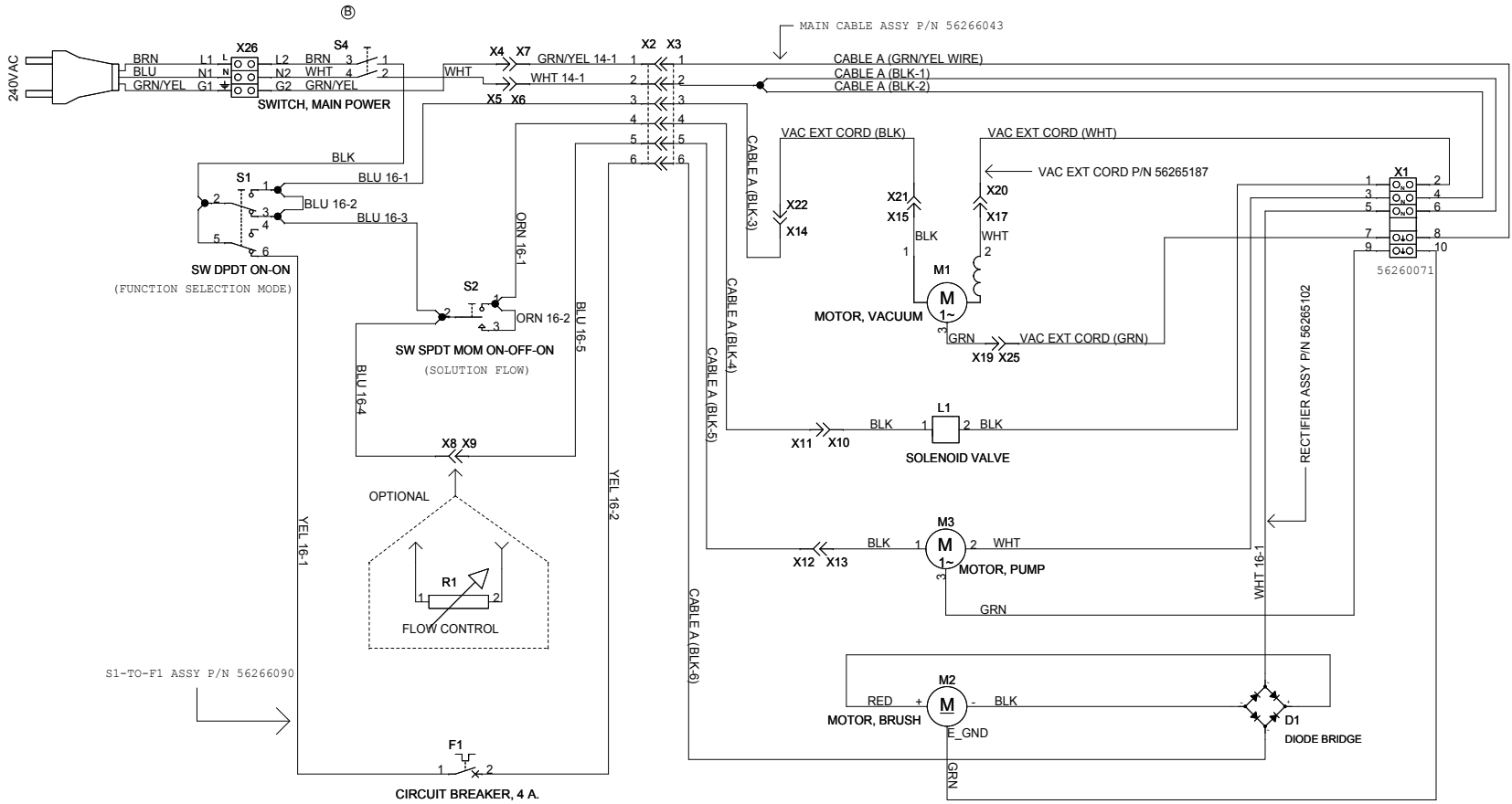


Item	Ref. No.	Qty	Description
D1	56265103	1	Diode Bridge
F1	56265056	1	Circuit Breaker, 5A
L1	56265037	1	Solenoid Valve (Clean Track 16 & 18)
	56266093	1	Solenoid Valve (Clean Track 18 Wash & Rinse)
M1	56265096	1	Motor, Vacuum
*	56264453	1	Carbon Brush (set of 2) NOTE 1
M2	56265075	1	Motor, Brush
M3	56265224	1	Motor, Pump (Clean Track 16 & 18)
	56266027	1	Motor, Pump (Clean Track 18 Wash & Rinse)
S1	56381823	1	Switch, DPDT ON-OFF-ON
S2	56324272	1	Switch, SPST MOM ON-OFF-ON
S3	52504a	1	Switch, SPST Flow Control (Clean Track 18 Wash & Rinse)
*	56265102	1	Wire Assembly
*	56265187	1	Wire Assembly

* = Not Shown

NOTE 1: Replacement parts for 56265096

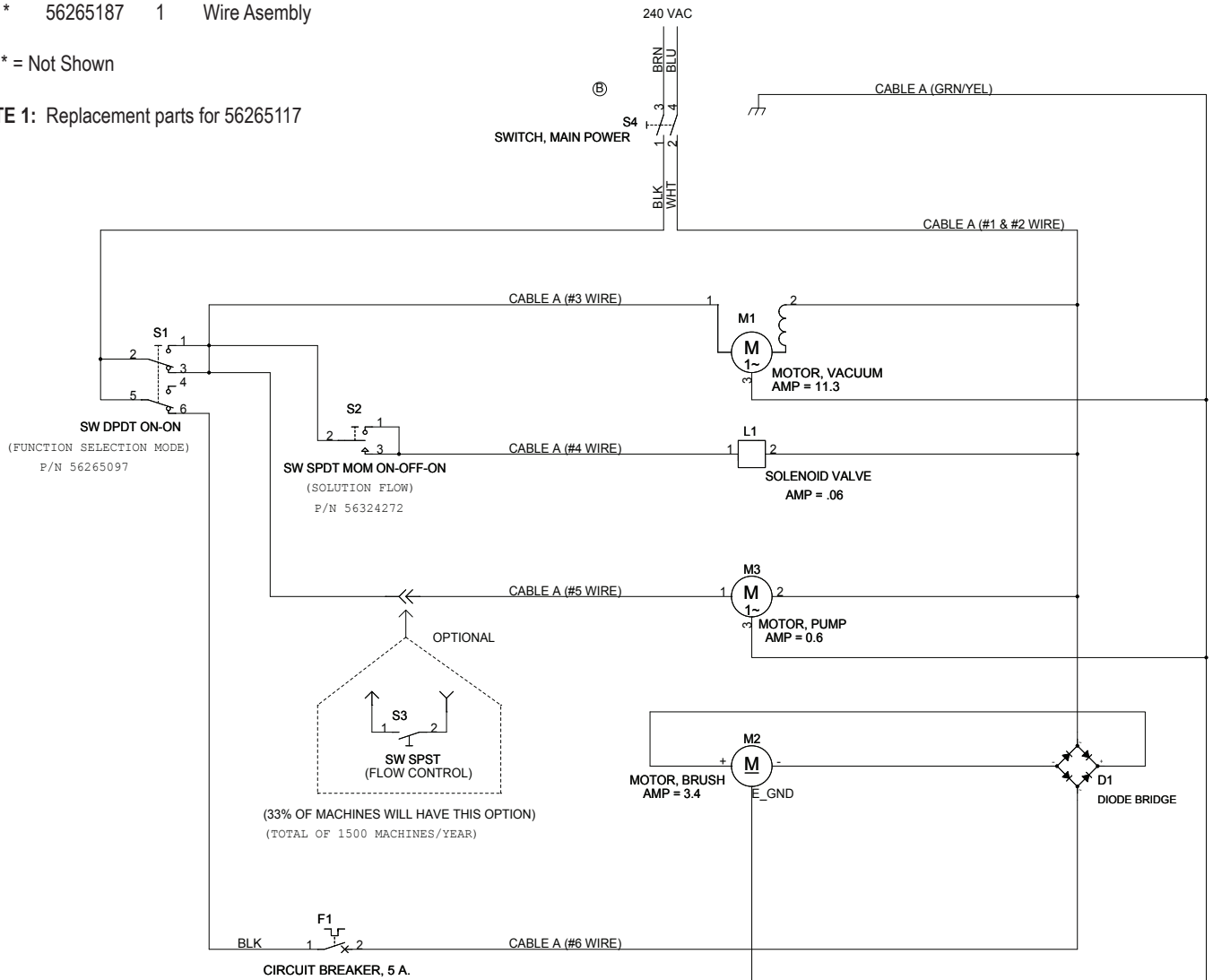




Item	Ref. No.	Qty	Description
D1	56265103	1	Diode Bridge
F1	56265104	1	Circuit Breaker, 5A
L1	56265114	1	Solenoid Valve
M1	56265117	1	Motor, Vacuum
*	56264452	1	Carbon Brush (set of 2) NOTE 1
M2	56265076	1	Motor, Brush
M3	56265223	1	Motor, Pump
S1	56393312	1	Switch, DPDT ON-OFF-ON
S2	56324272	1	Switch, SPST MOM ON-OFF-ON
S4	56209321	1	Switch, Rocker DPST
*	56265102	1	Wire Assembly
*	56265187	1	Wire Assembly

* = Not Shown

NOTE 1: Replacement parts for 56265117



ACCESSORIES

06-12

20

Clean Track® 16 / 18 / 18 Wash & Rinse

07-6

Ref. No.	Qty	Description	Clean Track 16	Clean Track 18	Clean Track 18 W/R
OPTIONS					
56266032	1	Nylon Brush Assembly 16" (Std)	X		
** 56265175	1	Blue Brush Assembly 16"	X		
** 56265176	1	240 Grit Brush Assembly 16"	X		
56266031	1	Nylon Brush Assembly 18" (Std)		X	X
** 56265177	1	Blue Brush Assembly 18"		X	X
** 56265178	1	240 Grit Brush Assembly 18"		X	X
ACCESSORIES					
** 56314402	1	Wand Assembly With Tools			X
** 56265173	1	Wand Assembly With Soft Floor Tool			X
** 56220109	1	Hand Tool	X	X	X
** 56220070	1	Upholstery Hand Tool	X	X	X
** 56266109	1	Kit, Onboard Hand Tool	X	X	X
* 56040924	1	Instruction Sheet for 56266109			
** 56266100	1	15' Hose With Waterline	X	X	X
** 56265150	1	Hard Floor Tool	X	X	
* 56040930	1	Parts List for 56265150			
** 56266105	1	Kit, Hard Floor Tool			X
* 56040910	1	Instruction Sheet for 56266105			
** 56266104	2	Nozzle Plug (for 56266105)			X
** 56265305	1	Drag Wand	X	X	X
** 9095327000	1	Hose, Filling	X	X	X

NOTE 1: Replacement parts for the kits listed above can be found on each kit's associated instruction sheet.

* = Not Shown

** = Optional, Not Included

Clarke[®]

14600 21st Avenue North
Plymouth, MN 55447-3408

www.clarkeus.com

Phone: 800-253-0367

Fax: 800-825-2753

©2014 Nilfisk-Advance, Inc.

A Nilfisk-Advance Brand