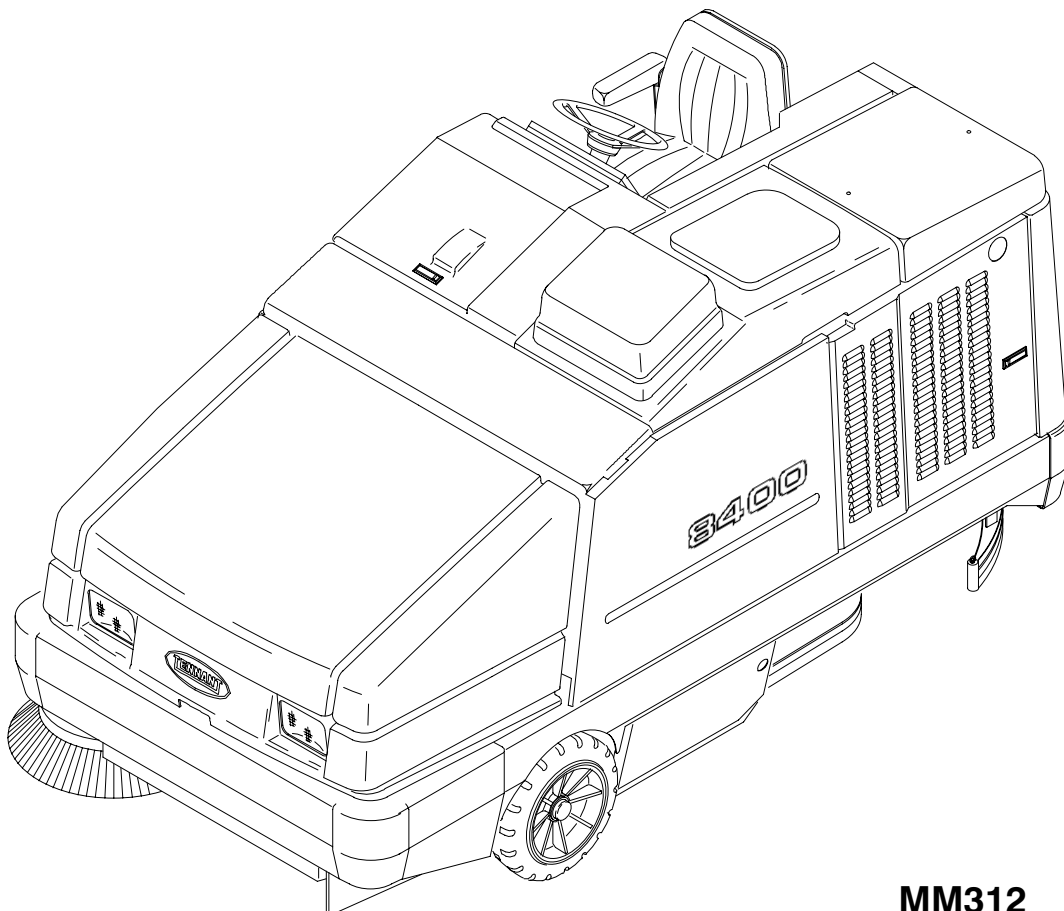




8400D

Parts Manual



MM312



This manual is furnished with each new TENNANT Model 8400.

This manual consists of the How To Use This Manual; Standard Parts; Options; Breakdowns; Engine Parts; and Cross Reference sections.

MACHINE DATA

Please fill out at time of installation for future reference.

Machine Model Number – 8400

Machine Serial Number – _____

Machine Options – _____

TENNANT Representative/phone no. – _____

Customer ID Number – _____

Date of Installation – _____

Manual Number – MM312

Revision: 03

Published: 4-96

HOW TO USE THIS MANUAL

This section on *HOW TO USE THIS MANUAL* will tell you how to:

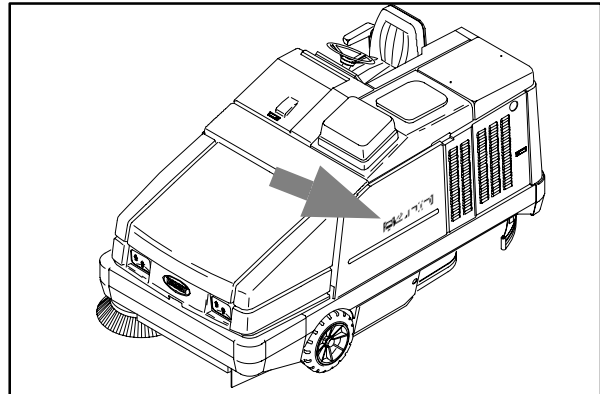
- Find important machine information for ordering correct repair parts.
- Find TENNANT part numbers.
- Order TENNANT parts and supplies.

IMPORTANT INFORMATION

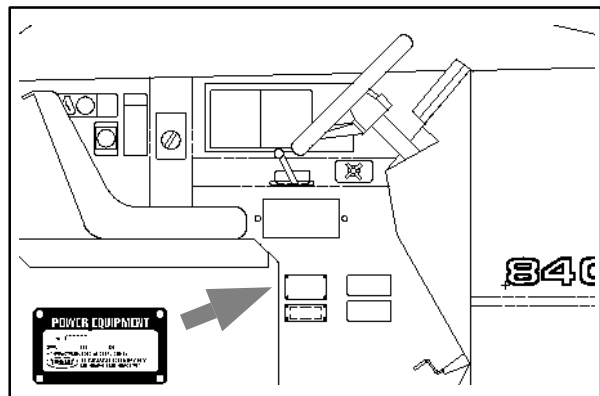
When placing an order for parts, the machine model and machine serial number are important. Refer to the *MACHINE DATA* box which is filled out during the installation of your machine. The *MACHINE DATA* box is located on the inside of the front cover of this manual.

MACHINE DATA	
<i>Please fill out at time of installation for future reference.</i>	
Machine Model Number - 8400	
Machine Serial Number - _____	
Machine Options - _____	
TENNANT Representative phone no. - _____	
Customer ID Number - _____	
Date of Installation - _____	
Manual Number - MM312	
Revision: 00	
Published: 2-94	

The model number of your machine is on the side of the machine.



The serial number of your machine is printed on the machine data plate located as shown.



HOW TO USE THIS MANUAL

FINDING A TENNANT PART NUMBER

This manual contains the following sections:

- HOW TO USE THIS MANUAL
- STANDARD PARTS
- OPTIONS
- BREAKDOWNS
- ENGINE BREAKDOWN
- CROSS REFERENCE

The STANDARD PARTS section lists repair parts for standard machines. They are grouped in this general order:

- General wear parts.
- Machine frame and related parts.
- Machine propelling system.
- Scrubbing components.
- Electrical parts.

The OPTION section lists repair parts of options.

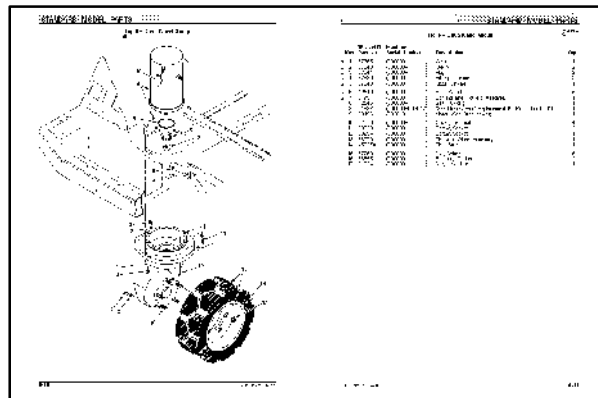
The BREAKDOWN section lists available repair parts of major components.

All sections in this manual consist of parts illustrations and corresponding parts lists.

The parts illustrations are numbered with **Ref** numbers which refer to corresponding parts lists.

The parts lists include a number of columns of information:

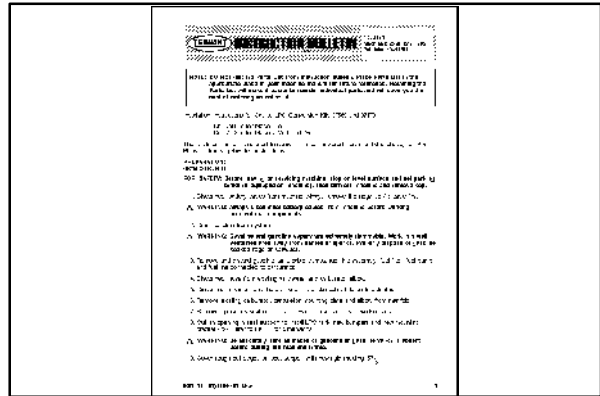
- **Ref** – column refers to the reference number on the parts illustration.
- ∇ – indicates the part is an assembly.
- ▲ – indicates the part is included in the assembly listed just before it.
- **TENNANT Part No.** – column lists the TENNANT part number for the part.
- **Serial Number** – column indicates the set of machines the part number is applicable to. Serial numbers change when the machine design has been modified. The most current design of the machine is shown in the main illustration, older designs are boxed in a corner of the illustration.
- **Description** – column is a brief description of the part.
- **Qty.** – column lists the quantity of that part used in that area of the machine.



Key	TENNANT Part No.	Machine Serial Number	Description	Qty.
∇	1 87356	(000000-)	Gearset	1
▲	2 87840	(000000-)	O-Ring	2
▲	3 87841	(000000-)	Hud	2
▲	4 87839	(000000-)	Fitting, Grease	2
▲	5 87840	(000000-)	Gear, Driving	1
▲	6 12540	(000000-)	Bolt, Wheel	5
▲	7 01791	(000000-)	Bearing and Housing Assembly	1
▲	8 12545	(000000-)	Seal, O-ring	1
▲	9 31932	(000000-032017)	(See Breakdown) Replacement Kit Motor For 86356	1
▲	9 60196	(000013-)	Motor (See Breakdown)	1
▲	10 02076	(000000-)	Cover, Terminal	4
▲	11 09000	(000000-)	Screw, Socket	2
▲	12 09294	(000000-)	Screw, Socket	1
▲	13 86970	(000000-)	Tire and Wheel Assembly	1
▲	14 45027A	(000000-)	Tire, Solid	1
▲	15 87750	(000000-)	Nut, Wheel	5
▲	16 56855	(000000-)	Bumper, Rubber	2
▲	17 51824	(000000-)	Nut, Hex, Trin	1

NOTE: If a service kit is installed on your machine, be sure to keep the **INSTRUCTION BULLETIN** which came with the kit. It contains repair parts numbers needed for ordering future parts.

NOTE: Fasteners used in this machine may be metric or non-metric. Take care when replacing hardware to replace with same thread size.



PLACING AN ORDER

Orders may be placed by phone, fax, or by mail. Phone orders may need written confirmation. Follow the steps below to insure prompt delivery:

1. Identify the model number of your machine.
2. Identify the serial number of your machine.
3. Find the part number of the part you need. Do not order by page number or reference number. If you are not able to find the part number, call your TENNANT representative for help or send the old part as a sample.
4. Determine the quantity of the part you need.
5. Provide the following company information:
 - Company name
 - Customer ID Number
 - Shipping address
 - Billing address
 - First and last name of person ordering parts
 - Telephone number
 - Purchase order number
6. Provide definitive shipping instructions.

HOW TO USE THIS MANUAL

Any claim for loss or damage to a shipment in transit should be filed promptly with the transportation company making the delivery. Shipments will be complete unless the packing list or order acknowledgement indicates items back ordered.

If parts received are suspected to be incorrect or defective, please contact the TENNANT representative from whom you ordered the part. They will give authorization for return and/or handle replacement shipments when required.

SECTION 2

CONTENTS

	PAGE
Fig. 1 – General Recommended Maintenance Items	2-3
Fig. 2 – Replacement Brushes	2-4
Fig. 3 – Main Frame And Skirt Group	2-6
Fig. 4 – Left Brush Door Group	2-8
Fig. 5 – Right Brush Door Group	2-10
Fig. 6 – Seat and Shroud Group	2-12
Fig. 7 – Engine Cover Group	2-14
Fig. 8 – Engine Side Door Group	2-16
Fig. 9 – Right Rear and Side Instrument Panel Group	2-18
Fig. 10 – Tank Cover and Panel Group	2-20
Fig. 11 – Hopper Lift Arms Group	2-22
Fig. 12 – Hopper and Dump Door Group	2-24
Fig. 13 – Hopper Hood and Bumper Group	2-26
Fig. 14 – Filter Box Group	2-28
Fig. 15 – Hopper Cylinder and Dust Door Group	2-30
Fig. 16 – Hopper Solenoid Valve Group	2-32
Fig. 17 – Vacuum Fan Group	2-34
Fig. 18 – Pressure Switch Group	2-36
Fig. 19 – Engine And Mount Group	2-38
Fig. 20 – Throttle Group	2-40
Fig. 21 – Alternator Group	2-42
Fig. 22 – Air Cleaner Group	2-44
Fig. 23 – Muffler Group	2-46
Fig. 24 – Fuel Tank Group	2-48
Fig. 25 – Radiator and Hydraulic Cooler Group	2-50
Fig. 26 – Radiator Housing and Fan Motor Group	2-52
Fig. 27 – Radiator Hose and Hydraulic Filter Group	2-54
Fig. 28 – Battery Group	2-56
Fig. 29 – Rear Drive Wheel Group	2-58
Fig. 30 – Front Wheels and Brakes Group	2-60
Fig. 31 – Brake Pedals Group	2-62
Fig. 32 – Directional Pedal Group	2-64
Fig. 33 – Directional Control Group	2-66
Fig. 34 – Hydraulic Pumps Group	2-68
Fig. 35 – Hydraulic Schematic	2-70
Fig. 36 – Hydraulic Hose Group	2-72
Fig. 37 – Hydraulic Hose Group	2-74
Fig. 38 – Hydraulic Reservoir Group	2-76
Fig. 39 – Main Hydraulic Valve Group	2-78
Fig. 40 – Side Brush Lift Group	2-80
Fig. 41 – Side Brush Motor and Pivot Group	2-82
Fig. 42 – Main Brush Lift Group	2-84
Fig. 43 – Main Brush Drive Group	2-86
Fig. 44 – Scrub Brush Frame Group	2-88
Fig. 45 – Left Scrub Brush Group	2-90
Fig. 46 – Center Scrub Brush Group	2-92
Fig. 47 – Right Scrub Brush Group	2-94
Fig. 48 – Hydraulic Control Solenoid Valve Group	2-96
Fig. 49 – Right Side Squeegee Group	2-98
Fig. 50 – Left Side Squeegee Group	2-100
Fig. 51 – Rear Squeegee Linkage Group	2-102

CONTINUED

CONTENTS

Fig. 52 – Rear Squeegee Frame and Lift Group	2-104
Fig. 53 – Solution Control Group	2-106
Fig. 54 – Solution Tank Group	2-108
Fig. 55 – Recovery Tank Group	2-110
Fig. 56 – Vacuum System Group	2-112
Fig. 57 – Steering Group	2-114
Fig. 58 – Instrument Panel Assembly Main Group	2-116
Fig. 59 – Instrument Panel Auxiliary Group	2-118
Fig. 60 – Circuit Breaker and Relay Group	2-120
Fig. 61 – Electrical Schematic	2-122
Fig. 62 – Wire Harnesses Group	2-125
Fig. 63 – Label Group	2-130

Fig. 1 – General Recommended Maintenance Items

Ref.	TENNANT Part No.	Machine Serial Number	Description	Qty.
▽	72067	(000000–)	Maint. Kit, Skirts, 355 Line	1
▲	59687	(000000–)	Seal, Door, Dump, Side	2
▲	59688	(000000–)	Strap, Door, Dump, Side	2
▲	55864	(000000–)	Cord, Sponge	1
▲	59685	(000000–)	Seal, Door, Dump	1
▲	59686	(000000–)	Strap, Door, Dump	1
▽	72068	(000000–)	Maint. Kit, Seals 355 Line	1
▲	59680	(000000–)	Skirt, Lip	1
▲	59681	(000000–)	Skirt, Lip	1
▲	55890	(000000–)	Strap, Main Lip	1
▲	54089	(000000–)	Skirt, Side, Sbdc,	1
▲	54013	(000000–)	Plate, Retainer	1
▲	54014	(000000–)	Plate, Retainer, Front	1
▽	79283	(000000–)	Performance Pkg 400Hr Die 8400	1
▲	82693	(000000–)	Cartridge	1
▲	39703–2	(000000–)	Filter Element,Oil,Gas–Se	1
▲	55844	(000000–)	Filter, Fuel, Element	1
▲	65869–5	(000000–)	Oil, Hydr. 15/40	2
▲	65221	(000000–)	Element, Filter	1

Fig. 2 – Replacement Brushes

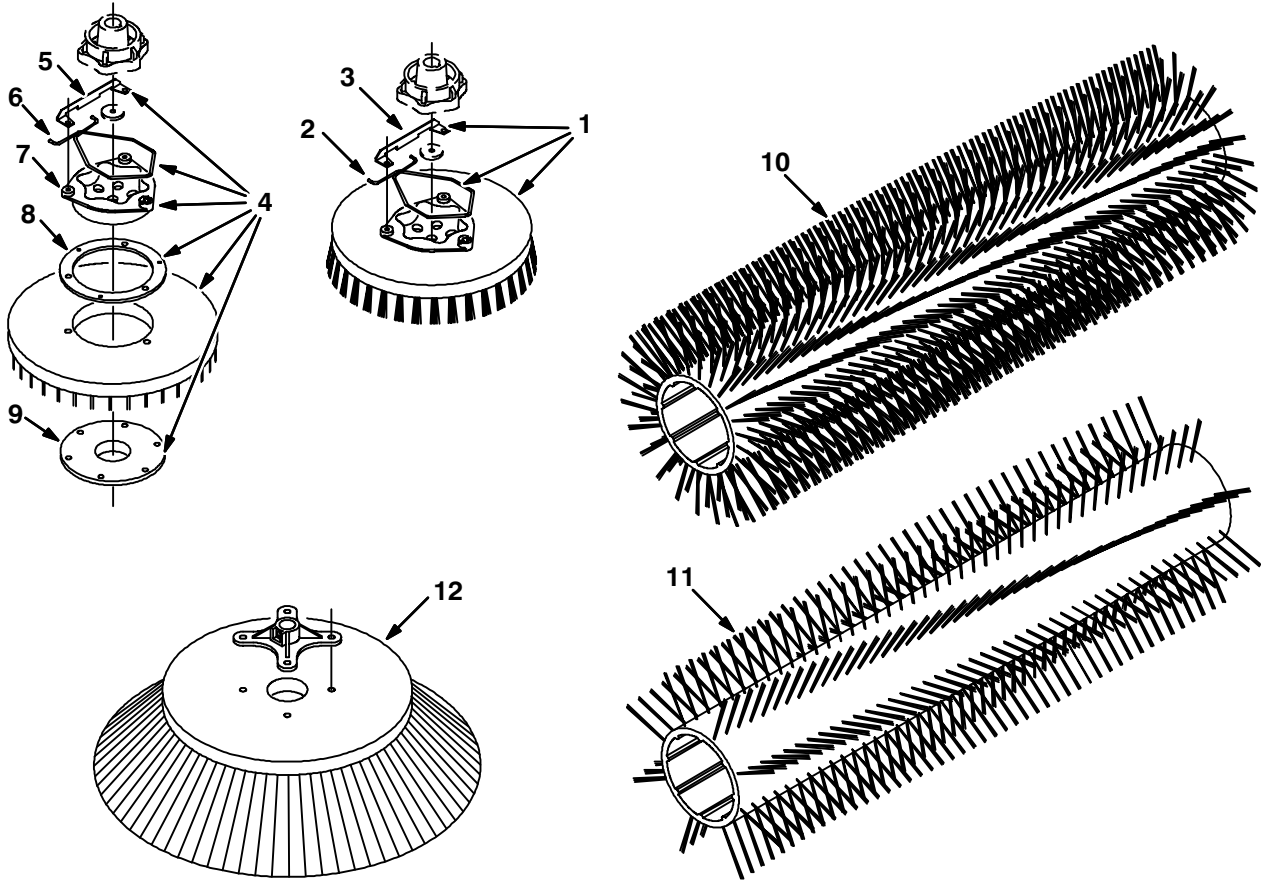


Fig. 2 – Replacement Brushes

Ref.	TENNANT Part No.	Machine Serial Number	Description	Qty.
▽ 1	05725	(000000–)	Brush–Disk Scr–16 D–Assy–Stfp	3
▲ 2	14838	(000000–)	Spring, Brush Retaining	1
▲ 3	24299	(000000–)	Bracket Spring Retainer	1
▽	05724	(000000–)	Brush–Disk Scr 16 D–Assy–Nyl	3
▲	14838	(000000–)	Spring, Brush Retaining	1
▲	24299	(000000–)	Bracket Spring Retainer	1
▽	05726	(000000–)	Brush–Disk Scr 16 D–Assy–S Ab	3
▲	14838	(000000–)	Spring, Brush Retaining	1
▲	24299	(000000–)	Bracket Spring Retainer	1
▽	05036	(000000–)	Brush–Disk Scr–16 D–Assy–Bass	3
▲	14838	(000000–)	Spring, Brush Retaining	1
▲	24299	(000000–)	Bracket Spring Retainer	1
▽	30241	(000000–)	Brush–Disk Scr 16 D Assy Poly	3
▲	14838	(000000–)	Spring, Brush Retaining	1
▲	24299	(000000–)	Bracket Spring Retainer	1
▽ 4	30216	(000000–)	Brush–Pad Drive–16 D–Assy–Poly	3
▲ 5	24299	(000000–)	Bracket Spring Retainer	1
▲ 6	14838	(000000–)	Spring, Brush Retaining	1
▲ 7	15539	(000000–)	Adaptor, Brush	1
▲ 8	11218	(000000–)	Spacer Pad Holder	1
▲ 9	19783	(000000–)	Pad Holder, Malish	1
10	54922	(000000–)	Brush–Sweep Spl 45Lg 24Sr Nylo	1
10	54927	(000000–)	Brush–Sweep Spl 45Lg 24Sr F&W	1
11	54923	(000000–)	Brush–Sweep Spl 45Lg 8Dr Nylon	1
11	54925	(000000–)	Brush–Sweep Spl 45Lg 8Dr P&W	1
11	66018	(000000–)	Brush–Sweep Spl–45Lg–5Dr–Nyl	1
11	66019	(000000–)	Brush–Sweep Spl 45Lg 8Dr Poly	1
11	59440	(000000–)	Brush–Sweep Spl 45Lg 8Dr–Wire	1
11	69963	(000000–)	Brush–Sweep Dmo 45Lg 8Dr P&W	1
12	59431	(000000–)	Brush–Side Swp 23D Poly	1
12	59432	(000000–)	Brush–Side Swp 23 D	1
12	08013N	(000000–)	Brush Side Swp.–24 D– –Nyl	1

Fig. 3 – Main Frame And Skirt Group

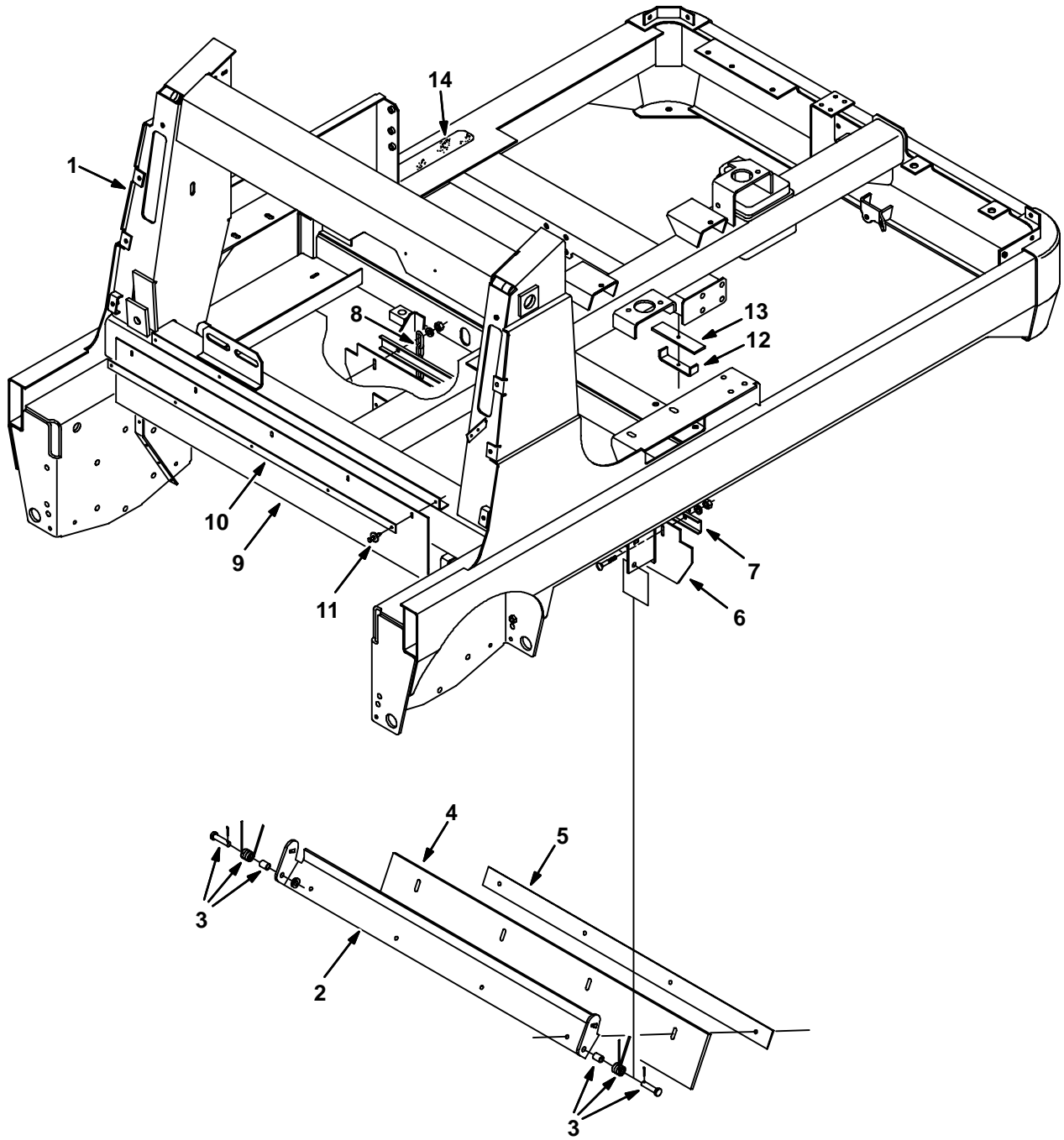


Fig. 3 – Main Frame And Skirt Group

Ref.	TENNANT Part No.	Machine Serial Number	Description	Qty.
1	73054	(000000–)	Frame Wldt	1
2	54182	(000000–)	Bracket, Flap, Recirculation	1
3	69904	(000000–)	Spring Assy, Recirculation	1
4	54190	(000000–)	Blade, Deflector	1
5	54184	(000000–)	Strip, Retainer, Seal	1
6	54197	(000000–)	Skirt, Seal Main Brush	1
7	54192	(000000–)	Channel, Retainer, Seal, Rear	1
8	09342	(000000–)	Chain, Link#2/0, 5 Links Plain	1
9	56872	(000000–)	Skirt,Hoppertop	1
10	56890	(000000–)	Strap, Backing Hopper	1
11	72968	(000000–)	Rivet, Plastic .250X.898	5
12	77297	(000000–)	Bracket, Hose, Clamp Down	1
13	77298	(000000–)	Isolator, Rubber .25X1.50X6.00	1
14	82839	(000000–)	Pad, Tread	1

Fig. 4 – Left Brush Door Group

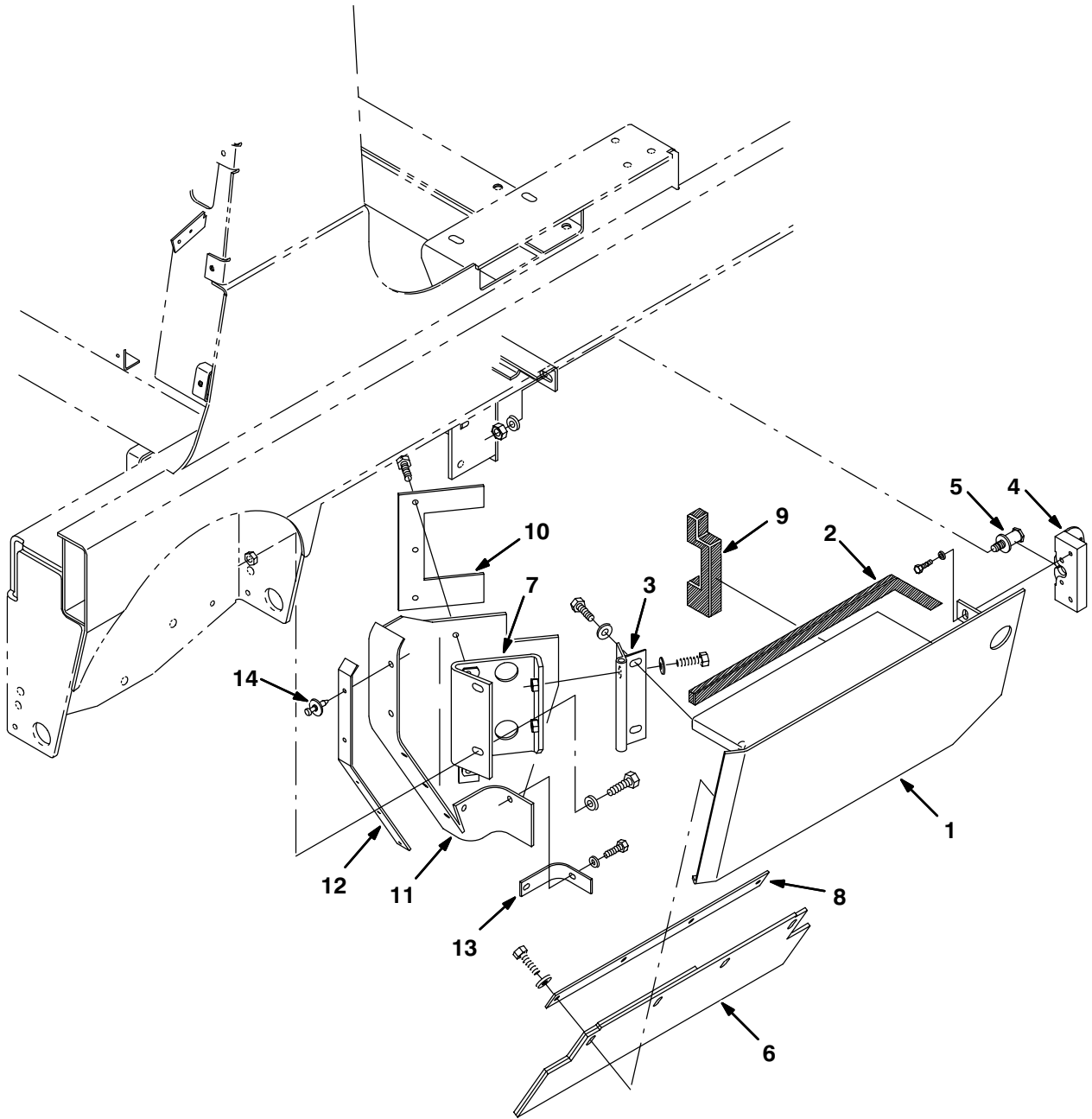


Fig. 4 – Left Brush Door Group

Ref.	TENNANT Part No.	Machine Serial Number	Description	Qty.
1	72888	(000000–)	Door Wldt, Brush, Lh	1
2	69931	(000000–)	Seal, Foam Rubber	1
3	72120	(000000–)	Hinge, Door, Brush	1
4	72884	(000000–)	Latch, Hook, Lh	1
5	59192	(000000–)	Latch, Bolt	1
6	70275	(000000–)	Skirt, Brushdoor	1
7	72119	(000000–)	Bracket, Mounting, Hinge, Lh	1
8	55433	(000000–)	Strip, Retainer, Skirt	1
9	59538	(000000–)	Seal, Door, Brush	1
10	59692	(000000–)	Strap, Deflector	1
11	72069	(000000–)	Skirt, Deflection	2
12	56914	(000000–)	Strap	2
13	58770	(000000–)	Strip, Retainer	2
14	72968	(000000–)	Rivet, Plastic .250X.898	5

should be
59514

Fig. 5 – Right Brush Door Group

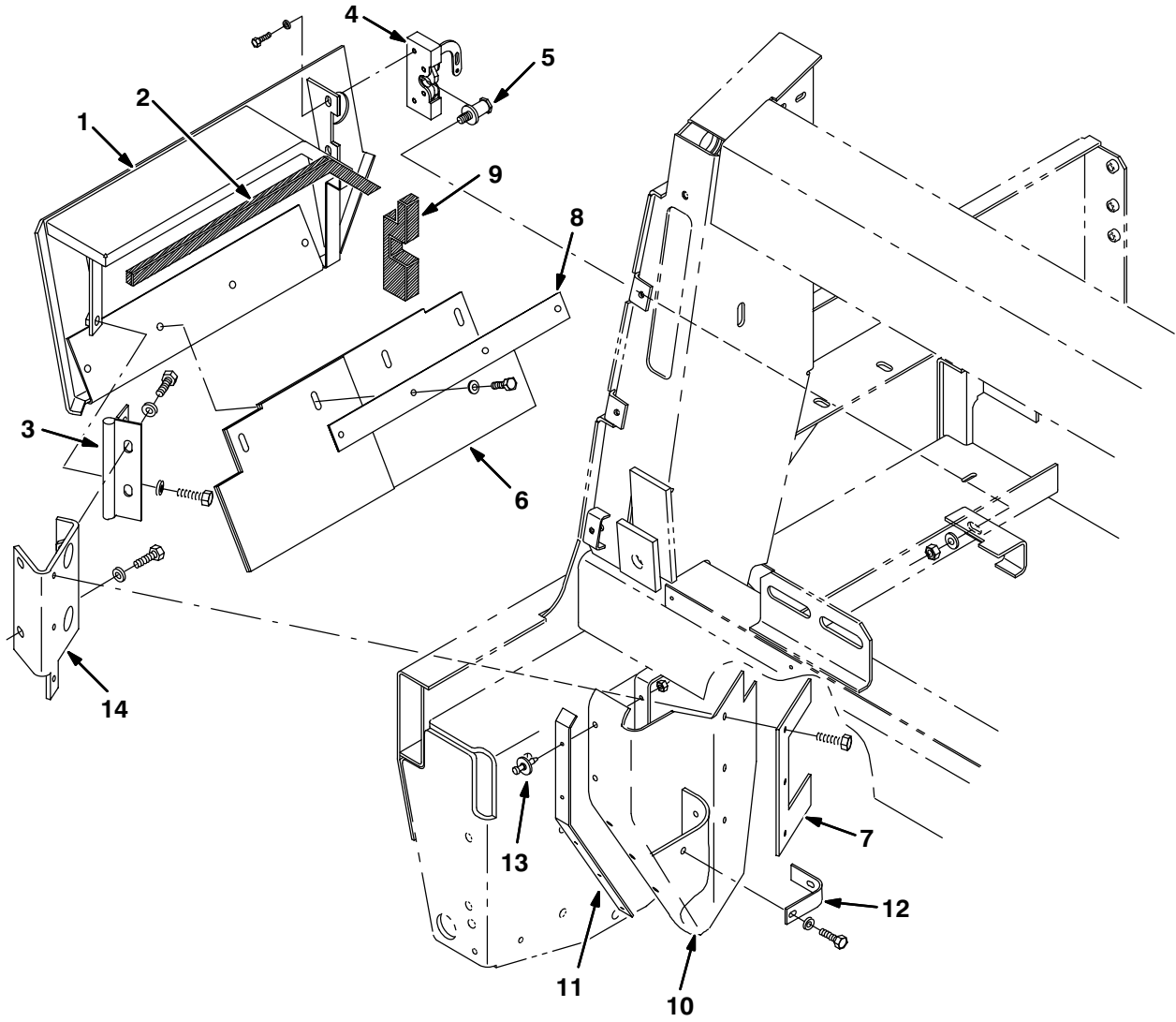


Fig. 5 –Right Brush Door Group

Ref.	TENNANT Part No.	Machine Serial Number	Description	Qty.
1	72887	(000000–)	Door Wldt, Brush, Rh	1
2	69931	(000000–)	Seal, Foam Rubber	1
3	72120	(000000–)	Hinge, Door, Brush	1
4	59514	(000000–)	Latch	1
5	59192	(000000–)	Latch, Bolt	1
6	70276	(000000–)	Skirt, Brushdoor	1
7	59692	(000000–)	Strap, Deflector	1
8	55433	(000000–)	Strip, Retainer, Skirt	1
9	59537	(000000–)	Seal, Door, Brush	1
10	72069	(000000–)	Skirt, Deflection	1
11	56914	(000000–)	Strap	1
12	58770	(000000–)	Strip, Retainer	2
13	72968	(000000–)	Rivet, Plastic .250X.898	5
14	72118	(000000–)	Bracket, Mounting, Hinge,Rh	1

should be
72884

Fig. 6 – Seat and Shroud Group

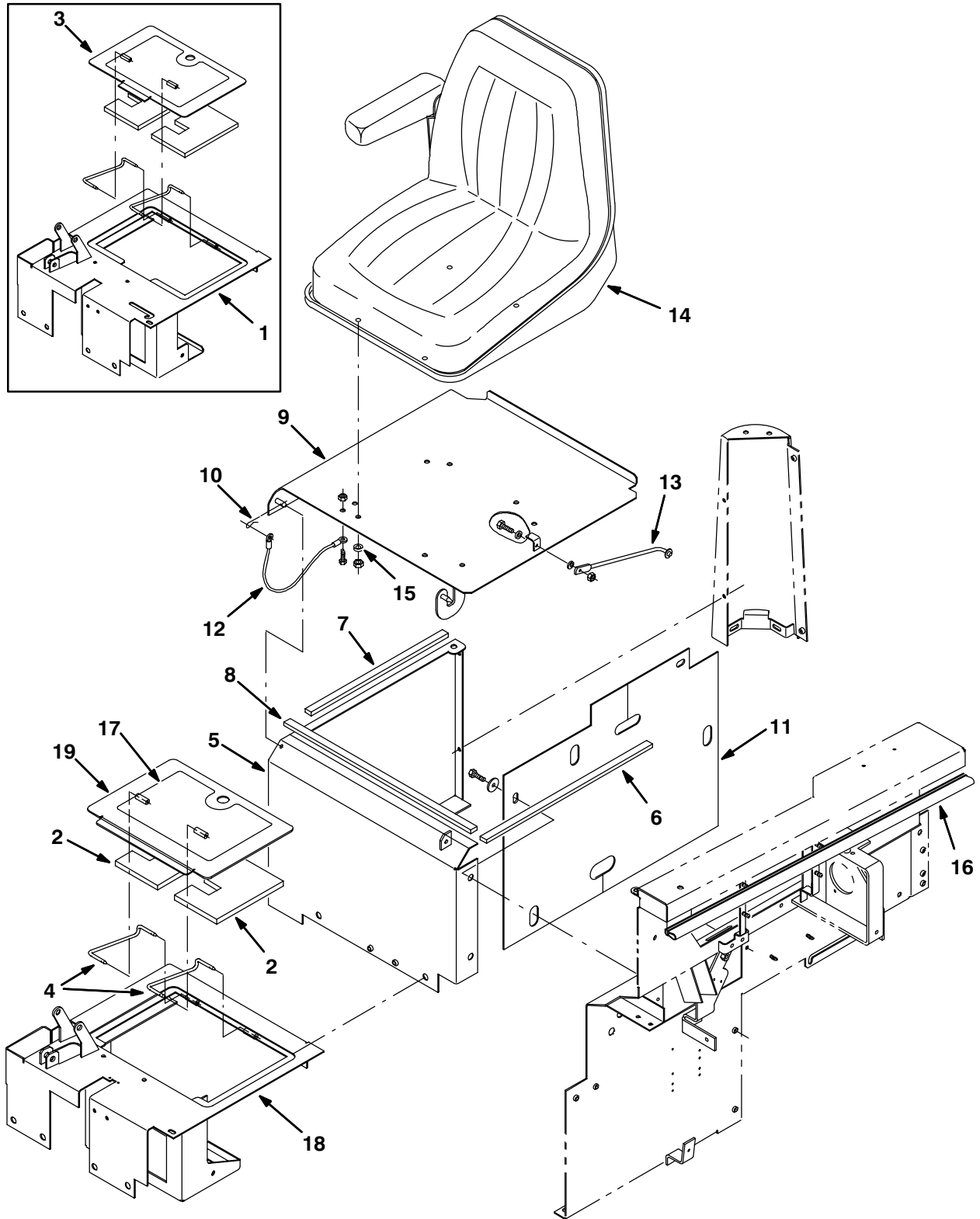


Fig. 6 – Seat and Shroud Group

Ref.	TENNANT Part No.	Machine Serial Number	Description	Qty.
1	22729	(000000– 010461)	Plate Wldt, Floor	1
2	72814	(000000–)	Insulation, Acoustic	2
3	77207	(000000– 010461)	Plate Wldt, Hinge	1
4	77211	(000000–)	Rod, Hinge	2
5	73123	(000000–)	Panel Wldt, Sppt, Seat	1
6	78855	(000000–)	Seal, Seat, Inner	1
7	10579	(000000–)	Seal, Seat, Side	1
8	10576	(000000–)	Seal, Seat, Front	1
9	73185	(000000–)	Cover Wldt, Sppt, Seat	1
10	44906	(000000–)	Pin, Hair Cotter #Lhcot-2,Leitk	1
11	78848	(000000–)	Skirt, Center	1
12	57702	(000000–)	Cable, Door, Access	1
13	54615	(000000–)	Rod, Seat	1
14	77235	(000000–)	Seat, Michigan	1
15	41186	(000000–)	Washer–Belleville .31 Pltd	4
16	79197	(000000–)	Seal, Bulb, Sd–0504 40.50 Lg	1
17	32270	(000000–)	Tread, Floor–Nonskid	1
18	22729	(010462–)	Plate Wldt., Floor .	1
19	22737	(010462–)	Cover, Wldt., Battery	1

Fig. 7 – Engine Cover Group

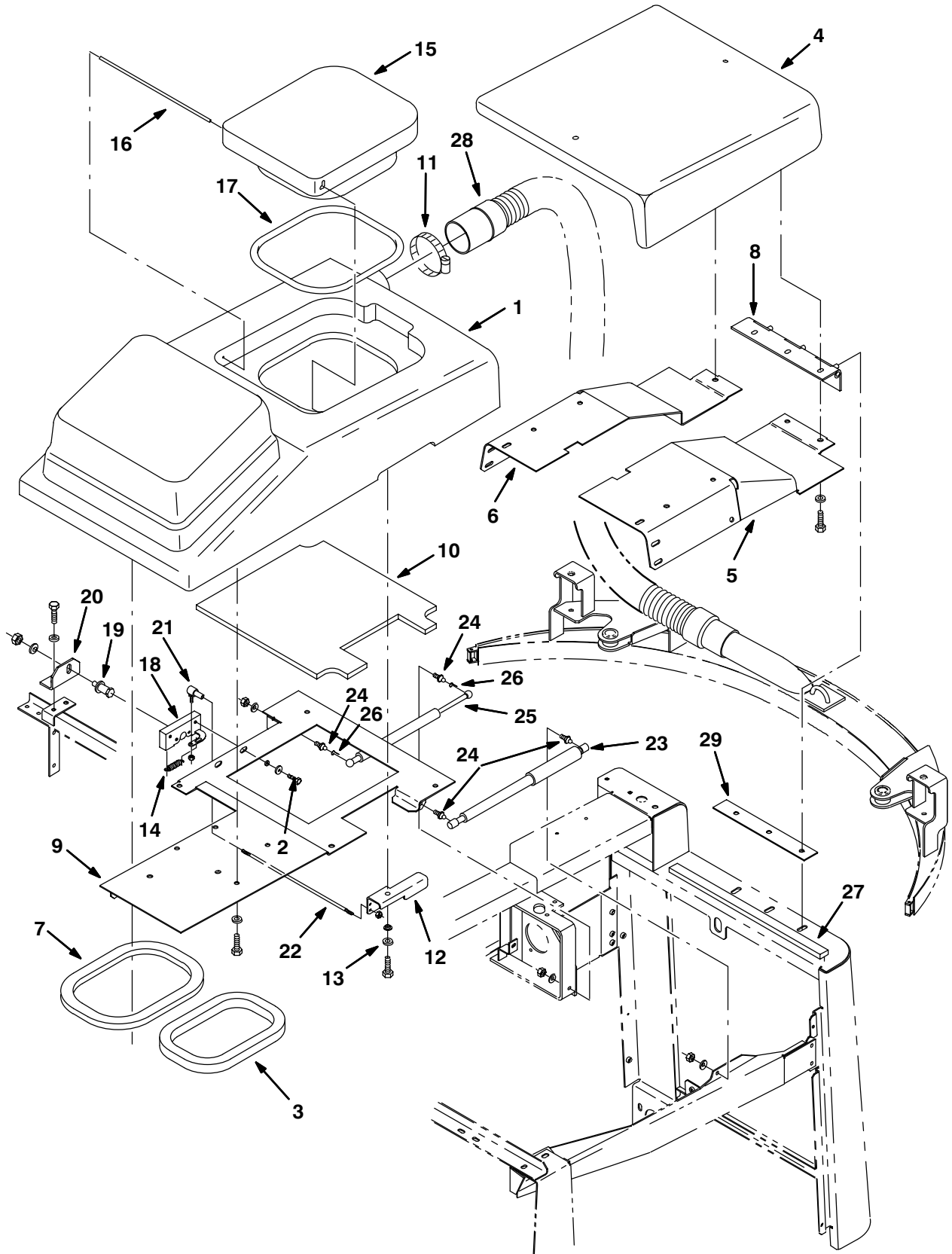


Fig. 7 – Engine Cover Group

Ref.	TENNANT Part No.	Machine Serial Number	Description	Qty.
1	77240	(000000–)	Cover, Demister	1
2	78783	(000000–)	Sleeve, .250B .49D .14 Stl Znc	2
3	77326	(000000–)	Seal, Foam	1
4	77241	(000000–)	Cover, Engine	1
5	78826	(000000–)	Bracket, Hood, Lh	1
6	78827	(000000–)	Bracket, Hood, Rh	1
7	78851	(000000–)	Seal, Foam	1
8	78738	(000000–)	Hinge, Rework	1
9	73177	(000000–)	Bracket, Mounting, Spring	1
10	78782	(000000–)	Insulation, Acoustic	1
11	23498	(000000–)	Clamp, Hose 3.6Min.–4.5Max	1
12	73169	(000000–)	Handle, Latch	1
13	01047	(000000–)	Retainer	1
14	53091	(000000–)	Sprng, Tens,0.50Odx.05Wire 1.0L	1
15	73173	(000000–)	Cover, Cleanout	1
16	77264	(000000–)	Rod, Plastic	1
17	73277	(000000–)	Seal, Tube, Silicone	1
18	59514	(000000– 010675)	Latch	1
18	84639	(010676–)	Latch, Single Stage	1
19	59192	(000000–)	Latch, Bolt	1
20	73242	(000000–)	Bracket, Latch	1
21	14601	(000000–)	Ball Joint, 250–28	1
22	77212	(000000–)	Rod, Latch, Engine Cover	1
23	77363	(000000–)	Spring, Gas, 74 Lbs	1
24	58494	(000000–)	Stud, Ball, Gas Spring	4
25	78771	(000000–)	Spring, Gas, 74 Lbs	1
26	64595	(000000–)	Clip Safety	2
27	79195	(000000–)	Seal, Foam	1
28	72912	(000000–)	Hose, Vacuum	1
29	22966	(000000–)	Plate, Spacer, Engine Cover	1

Fig. 8 – Engine Side Door Group

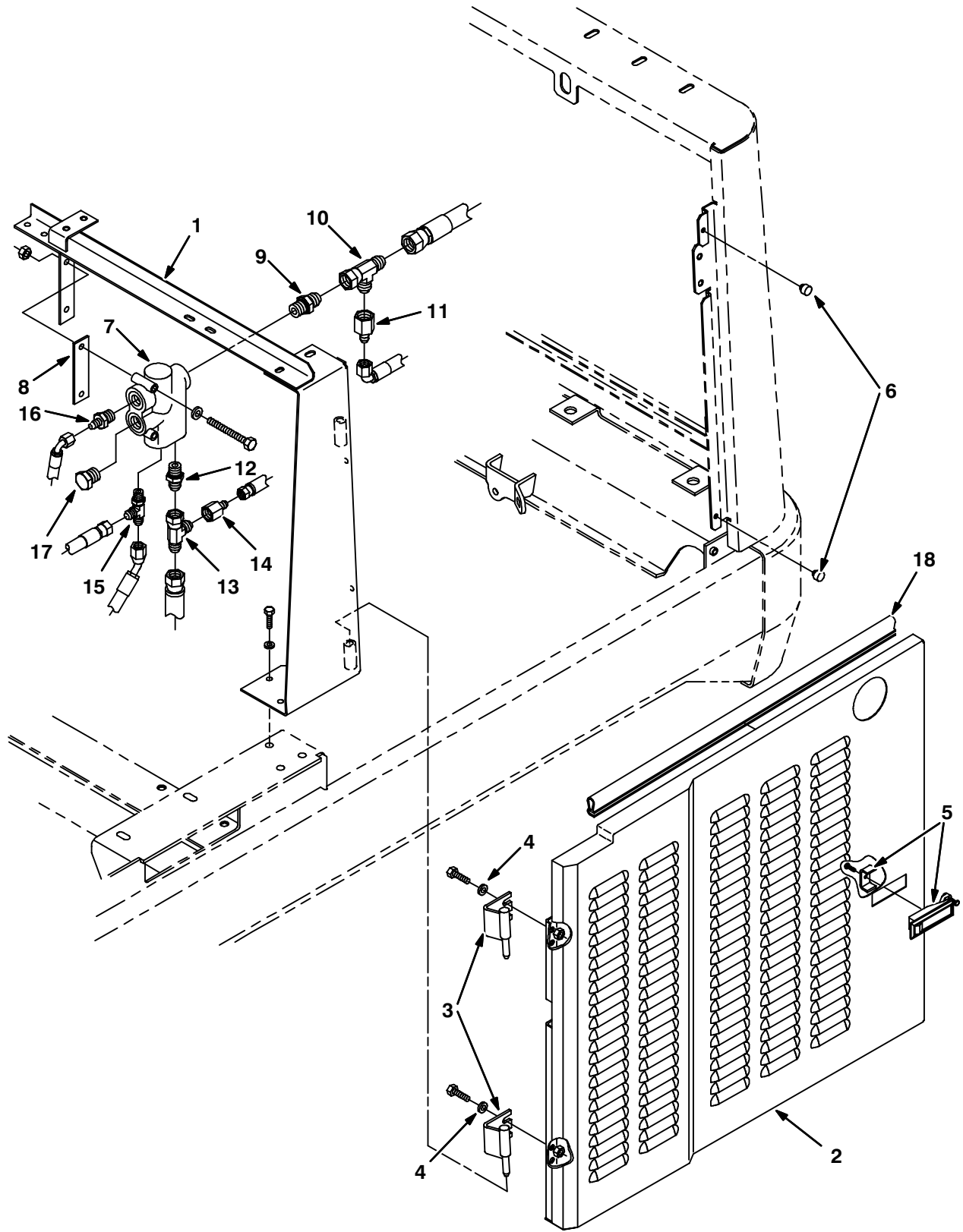


Fig. 8 – Engine Side Door Group

Ref.	TENNANT Part No.	Machine Serial Number	Description	Qty.
1	73250	(000000–)	Angle Wldt, Lh	1
2	77244	(000000–)	Door Wldt, Side, Engine	1
3	59377	(000000–)	Hinge, Door, Engine	2
4	41186	(000000–)	Washer–Belleville .31 Pltd	4
5	64533	(000000–)	Latch, Trigger	1
6	51787	(000000–)	Bumper, Rubber	2
7	73094	(000000–)	Valve, Hyd Priority Ds16G1000	1
8	78898	(000000–)	Isolator	1
9	56692	(000000–)	Ftg–Hyd Str Jm08/Om10	1
10	45482	(000000–)	Ftg–Hyd Tee Jm08Jmjf	1
11	57979	(000000–)	Ftg–Hyd Str Jm04/Jf08	1
12	50960	(000000–)	Ftg–Hyd Str Jm06/Om04	1
13	42215	(000000–)	Ftg–Hyd Tee Jm06Jmjf	1
14	47752	(000000–)	Ftg–Hyd Str Jm04/Jf06	1
15	34390	(000000–)	Ftg–Hyd Tee Jm04Jmom	1
16	52402	(000000–)	Ftg–Hyd Str Jm06/Om08	1
17	40362	(000000–)	Ftg–Hyd Plg Om10	1
18	77340	(000000–)	Seal, Bulb, Sd–0504 28.00 Lg	1

Fig. 9 – Right Rear and Side Instrument Panel Group

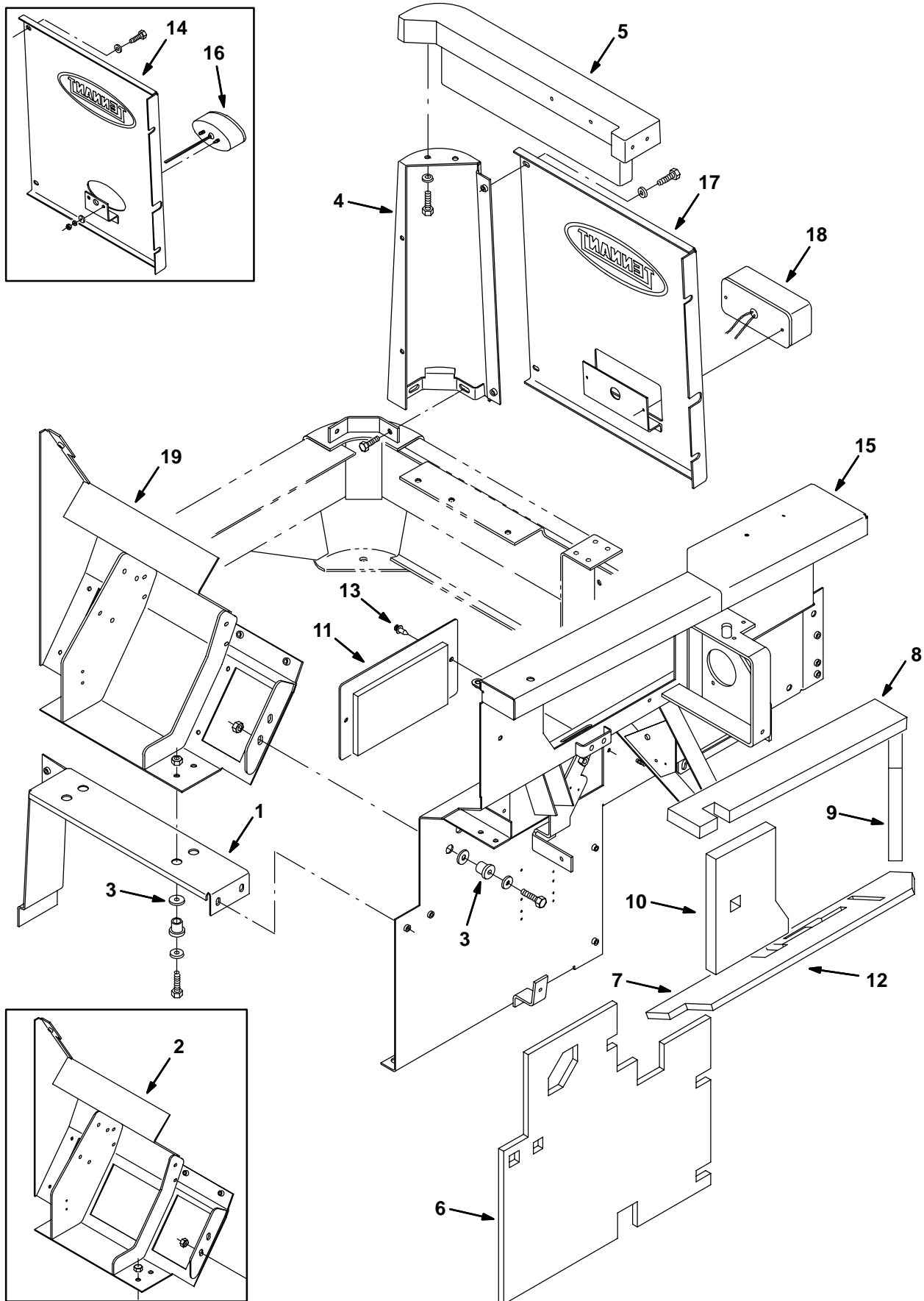


Fig. 9 – Right Rear and Side Instrument Panel Group

Ref.	TENNANT Part No.	Machine Serial Number	Description	Qty.
1	73186	(000000–)	Panel, Instr, Lower	1
2	10721	(000000– xxxxxx)	Replacement Kit Instrument Panel	1
3	54274	(000000–)	Isolator–Vibration,125Lb.Ratng	6
4	72641	(000000–)	Tower Wldt, Corner, Rh	1
5	72642	(000000–)	Cap, Door	1
6	72807	(000000–)	Insulation, Acoustic	1
7	72808	(000000–)	Insulation, Acoustic	1
8	72809	(000000–)	Insulation, Acoustic	1
9	72821	(000000–)	Insulation, Acoustic	1
10	72818	(000000–)	Insulation, Acoustic	1
11	72785	(000000–)	Plate	1
12	77299	(000000–)	Insulation, Acoustic	1
13	72971	(000000–)	Rivet, Plastic .325Dx.787	2
14	72646	(000000– 010371)	Door, Rear, Rh	1
15	78870	(000000–)	Panel Assy, Inst, W/Label	1
▽ 16	55274	(000000– 010371)	Taillight Assy	1
▲	45780	(000000– 010371)	Bulb, 12V.5A 4CP #1157	1
17	10565	(010372–)	Door, Rear, Rh	1
▽ 18	59949	(000000– 010371)	Taillight Assy	1
▲	45780	(000000– 010371)	Bulb, 12V.5A 4CP #1157	1
19	10611	(xxxxxx–)	Panel Wldt, Instr.	1

Fig. 10 – Tank Cover and Panel Group

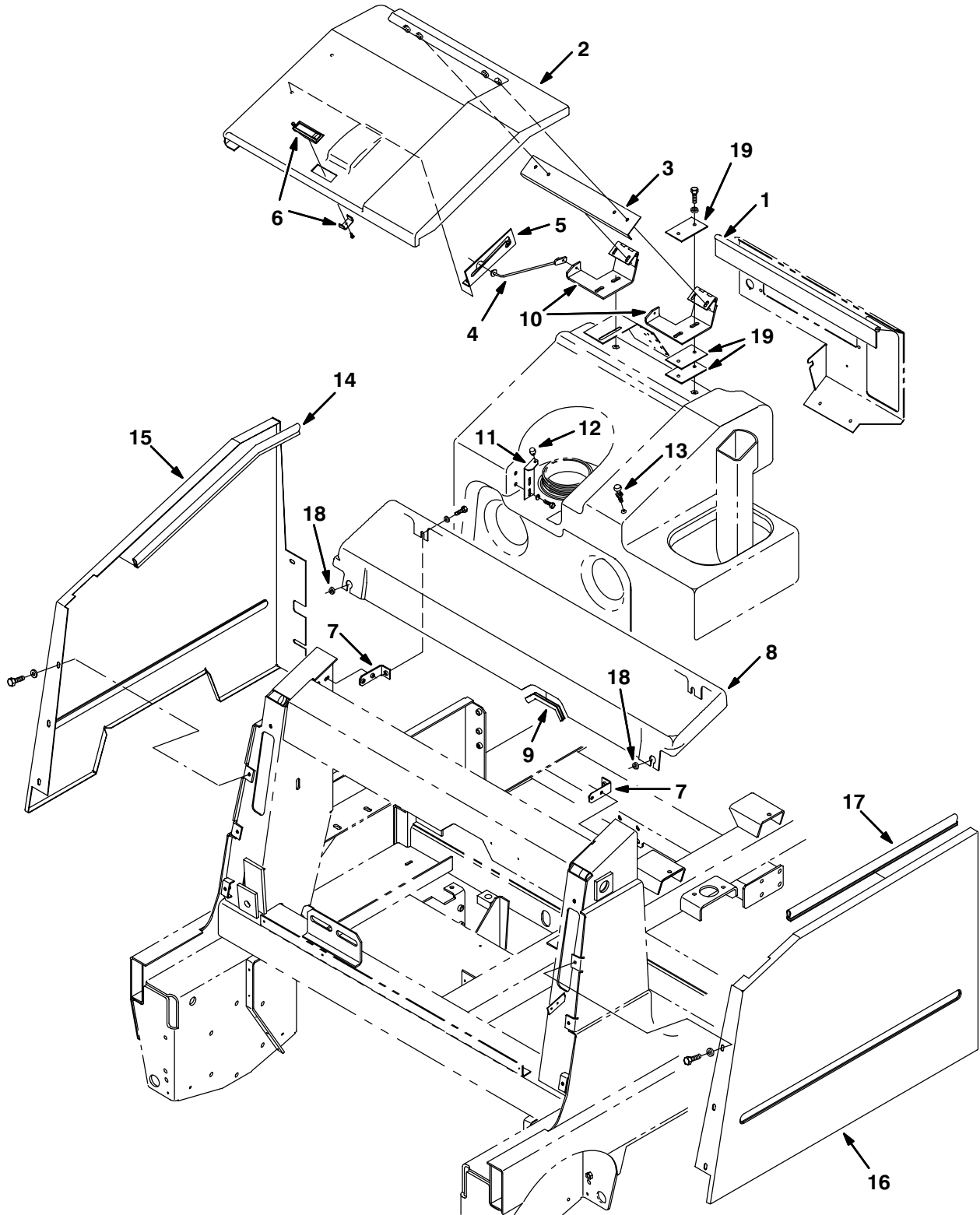


Fig. 10 – Tank Cover and Panels Group

Ref.	TENNANT Part No.	Machine Serial Number	Description	Qty.
1	78727	(000000–)	Seal, Lip	1
2	73273	(000000–)	Cover, Recovery Tank	1
3	78726	(000000–)	Bracket, Hinge	1
4	54615	(000000–)	Rod, Seat	1
5	77372	(000000–)	Bracket, Cover	1
6	64533	(000000–)	Latch, Trigger	1
7	73330	(000000–)	Bracket, Cover	2
8	73327	(000000–)	Cover, Lintel	1
9	62595–16	(000000–)	Molding, Trim 11–14Ga 8.50	1
10	73255	(000000–)	Hinge Wldt	2
11	78722	(000000–)	Bracket, Cover	1
12	51787	(000000–)	Bumper, Rubber	1
13	75128	(000000–)	Spindle, Adjustment	1
14	77340	(000000–)	Seal, Bulb, Sd–0504 28.00 Lg	1
15	73244	(000000–)	Panel Wldt, Rh	1
16	73249	(000000–)	Panel Wldt, Lh	1
17	77342	(000000–)	Seal, Bulb, Sd–0504 26.00 Lg	1
18	78923	(000000–)	Washer, Rubber	4
19	79287	(000000–)	Plate, Spacer	As Req.

Fig. 11 – Hopper Lift Arms Group

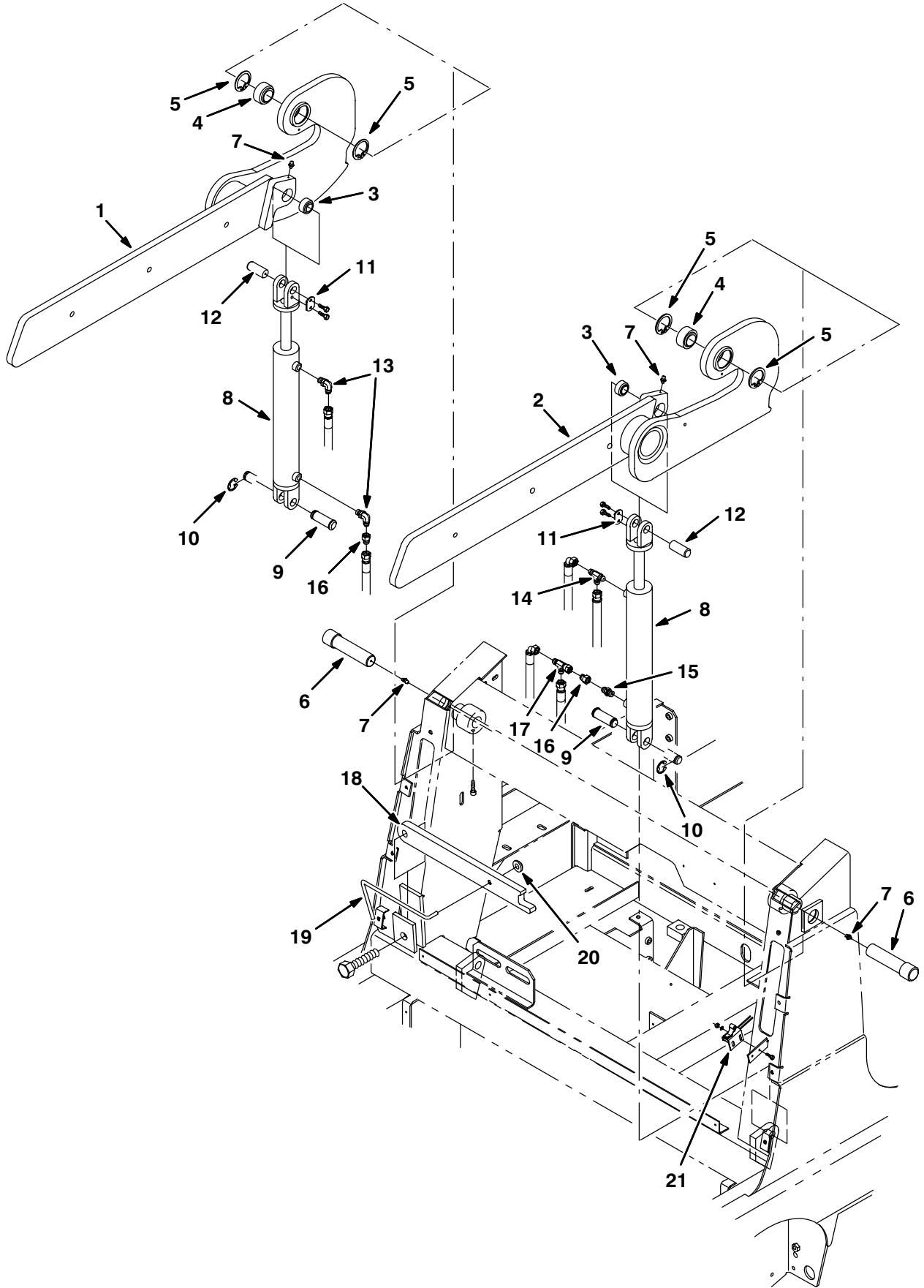


Fig. 11 – Hopper Lift Arms Group

Ref.	TENNANT Part No.	Machine Serial Number	Description	Qty.
1	78906	(000000–)	Arm Assy, Lift, Rh W/Label	1
2	78907	(000000–)	Arm Assy, Lift, Lh W/Label	1
3	73302	(000000–)	Bearing, Self Align, Sealed	2
4	72895	(000000–)	Bearing, Self Align, Sealed	2
5	59542	(000000–)	Ring, Retaining, Intl 2.00Dia	4
6	73068	(000000–)	Pin, Lift Arm	2
7	07259	(000000–)	Ftg, Grease.25–28Th Strt .47L	4
8	73076	(000000–)	Cylinder, Hyd 2.0B 12.0S 2500	2
9	73077	(000000–)	Pin, Clevis, Grooved	2
10	72899	(000000–)	Ring, Retaining, Ext, .88 Dia	2
11	72897	(000000–)	Plate, Pin, Clevis, Upper	2
12	72898	(000000–)	Pin, Clevis, Upper	2
13	77097	(000000–)	Ftg–Hyd E90 Jm04/Om04	2
14	34390	(000000–)	Ftg–Hyd Tee Jm04Jmom	1
15	55586	(000000–)	Ftg–Hyd Str Jm04/Om04	1
16	16455	(000000–)	Ftg–Hyd Rst Jm04/.047	2
17	57988	(000000–)	Ftg–Hyd Tee Jm04Jmjf	1
18	78936	(000000–)	Arm Assy, Safety W/Label	1
19	72805	(000000–)	Handle, Arm, Safety	1
20	59849	(000000–)	Nut, Retainer R/.312 Dia	1
21	59965	(000000–)	Switch, Roller	1

Fig. 12 – Hopper and Dump Door Group

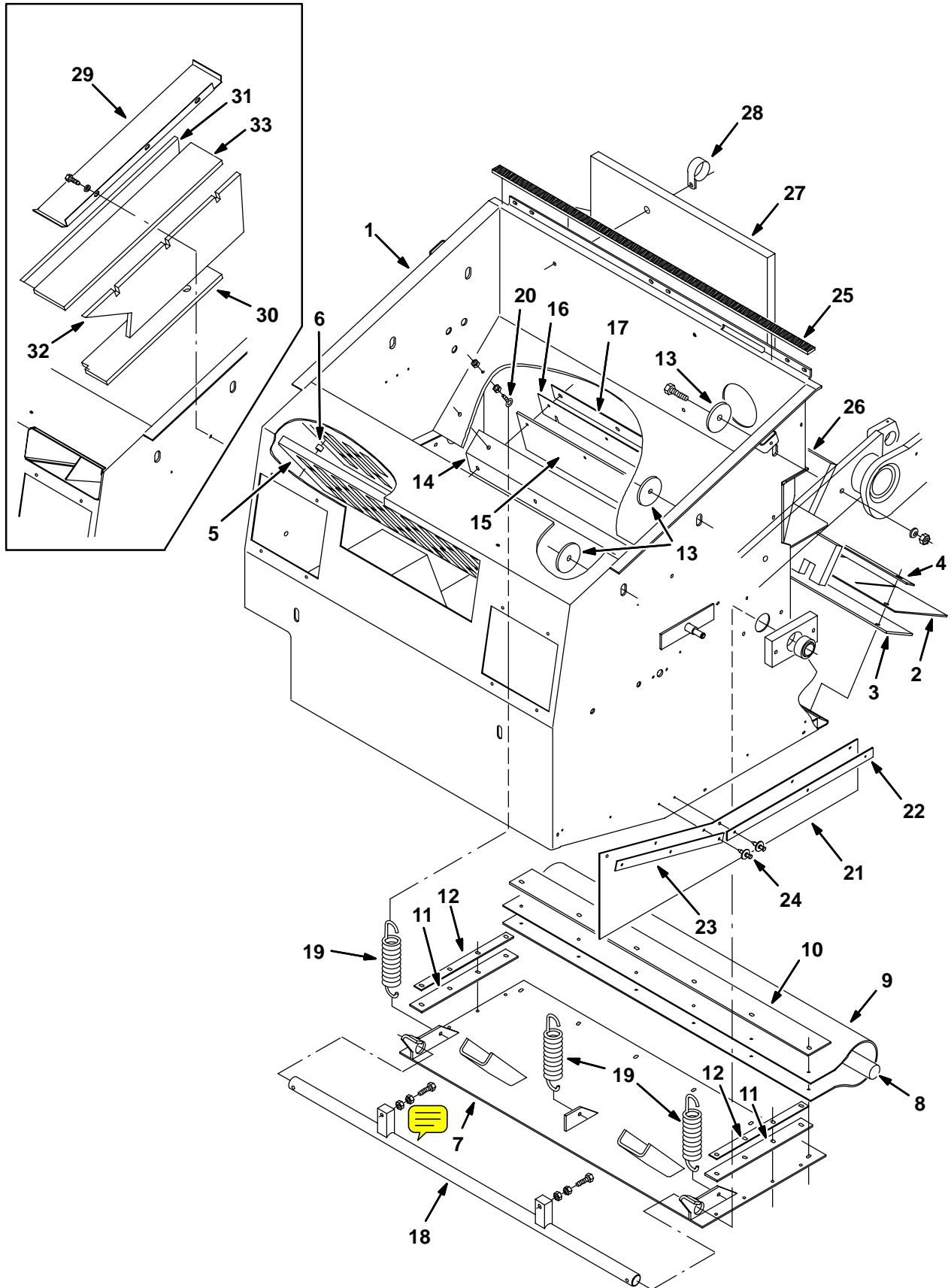


Fig. 12 – Hopper and Dump Door Group

Ref.	TENNANT Part No.	Machine Serial Number	Description	Qty.
1	73318	(000000-010249)	Hopper Wldt	1
1	21211	(010250-)	Hopper Wldt	1
2	59680	(000000-)	Skirt, Lip	1
3	59681	(000000-)	Skirt, Lip	1
4	55890	(000000-)	Strap, Main Lip	1
5	73317	00000-010249	Panel, Perma-Filter	1
6	82483	(000000-)	Tube, Spacer, .41Dx.32Bx1.OI	2
7	55886	(000000-)	Door, Dump	1
8	55864	(000000-)	Cord, Sponge	1
9	59685	(000000-)	Seal, Door, Dump	1
10	59686	(000000-)	Strap, Door, Dump	1
11	59687	(000000-)	Seal, Door, Dump, Side	2
12	59688	(000000-)	Strap, Door, Dump, Side	2
13	72159	(000000-)	Plate, Mtg, Lift Arm	2
14	55879	(000000-)	Angle, Hopper	1
15	58103	(000000-)	Seal, Door, Hopper	1
16	59105	(000000-)	Seal, Door, Hopper	1
17	55884	(000000-)	Strap	1
18	55889	(000000-)	Rod Wldt, Pivot	1
19	55892	(000000-)	Spring, Tension	3
20	11893	(000000-)	Bolt-Eye, .25-20Zinc.56D 2.00L	3
21	54089	(000000-)	Skirt, Side, Sbdc,	1
22	54013	(000000-)	Plate, Retainer	1
23	54014	(000000-)	Plate, Retainer, Front	1
24	72968	(000000-)	Rivet, Plastic .250X.898	6
25	72071	(000000-)	Seal, Foam Rubber	1
26	72980	(000000-)	Insulation, Acoustic, Hopper,	1
27	72981	(000000-)	Insulation,Acoustic,Hopper,Upp	1
28	53468	(000000-)	Clamp, Hose	1
29	73311	(000000-010249)	Cover, Duct, Exhaust, Top	1
30	72982	(000000-010249)	Insulation, Acoustic, Duct,Bot	1
31	72983	(000000-010249)	Insulation,Acoustic, Duct, Rh	1
32	72984	(000000-010249)	Insulation, Acoustic, Duct, Lh	1
33	72985	(000000-010249)	Insulation, Acoustic, Duct, Co	1
5	55021	(010250-)	Panel, Perma filter	1

Fig. 13 – Hopper Hood and Bumper Group

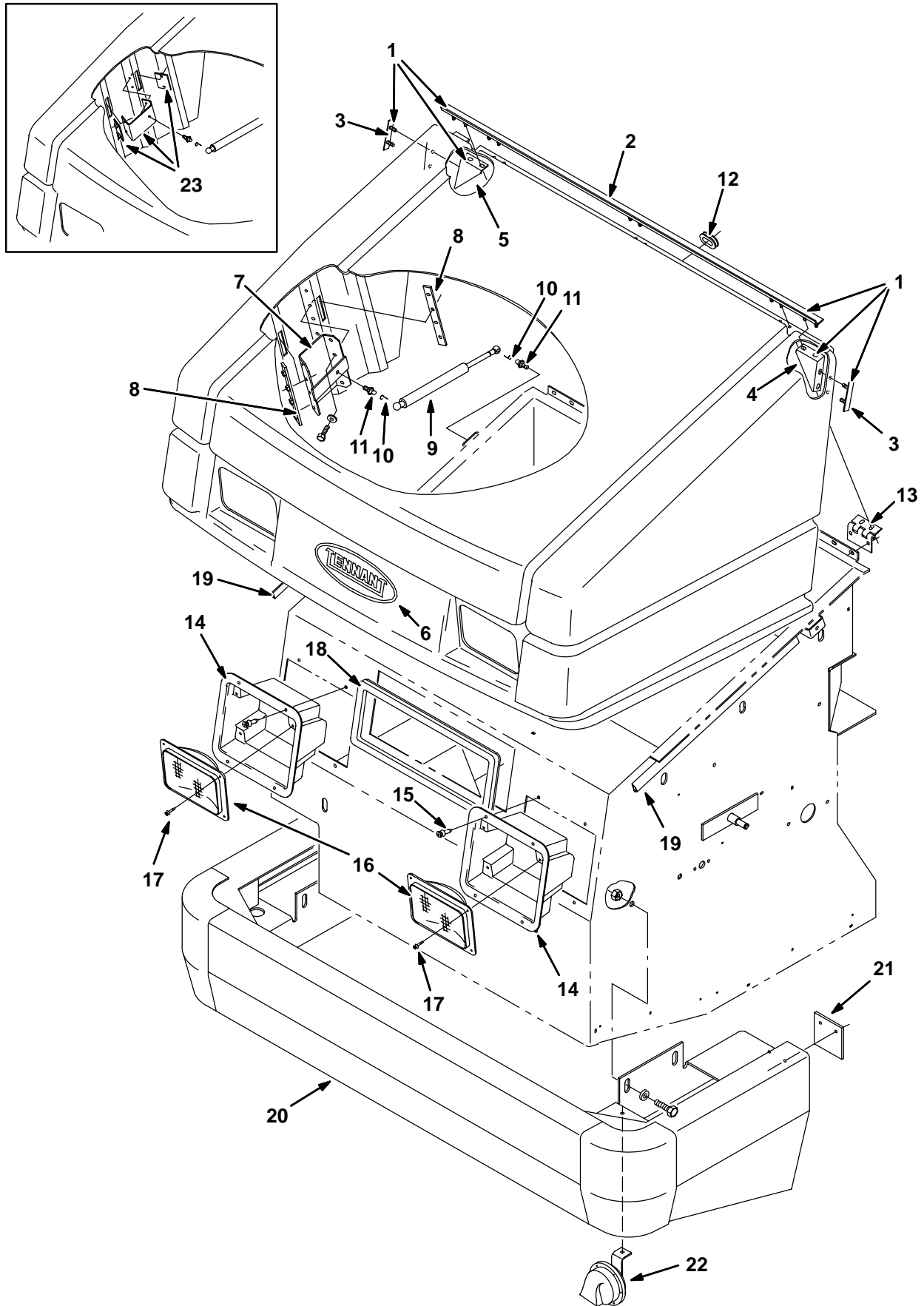


Fig. 13– Hopper Hood and Bumper Group

Ref.	TENNANT Part No.	Machine Serial Number	Description	Qty.
▽ 1	73378	(000000–010187)	Cover Assy, Hopper	1
▽ 1	10688	(010188–)	Cover Assy, Hopper	1
▲ 2	59442	(000000–)	Strip, Mtg, Hinge	1
▲ 3	59738	(000000–)	Strip, Mtg, Gusset	2
▲ 4	59737	(000000–)	Bracket, Gusset, Corner, Lh	1
▲ 5	59739	(000000–)	Bracket, Gusset, Corner, Rh	1
6	17200	(000000–)	Label, Tennant Logo– 10.0 Blue	1
7	70185	(010188–)	Bracket, Mtg, Spring	2
8	70178	(010188–)	Plate, Backing	4
9	64535	(000000–)	Spring–Gas 120Lb 7.1 Stroke	2
10	64595	(000000–)	Clip Safety	4
11	58494	(000000–)	Stud, Ball, Gas Spring	4
12	10632–1	(000000–)	Grommet, Rbr,1.06ld,For .19Matl	1
13	58500	(000000–)	Hinge, Coverhopper	3
14	59004	(000000–)	Housing, Headlight	2
15	72971	(000000–)	Rivet, Plastic .325Dx.787	8
16	58524	(000000–)	Headlight, 12V.Rect.	2
17	72969	(000000–)	Rivet, Plastic .181Dx.720	8
18	74409	(000000–)	Seal, Bulb, Sd–0355 50.00Lg	1
19	77375	(000000–)	Duct, Vinyl .40X .75X24.0 .25D	2
20	72065	(000000–)	Bumper Wldt, Front	1
21	59448	(000000–)	Skirt, Bumperstop	2
22	14138A	(000000–)	Horn, 12V	1
23	70182	(000000–010187)	Bracket Repl Kit,Hpr Cvr Sprng	1

Fig. 14 – Filter Box Group

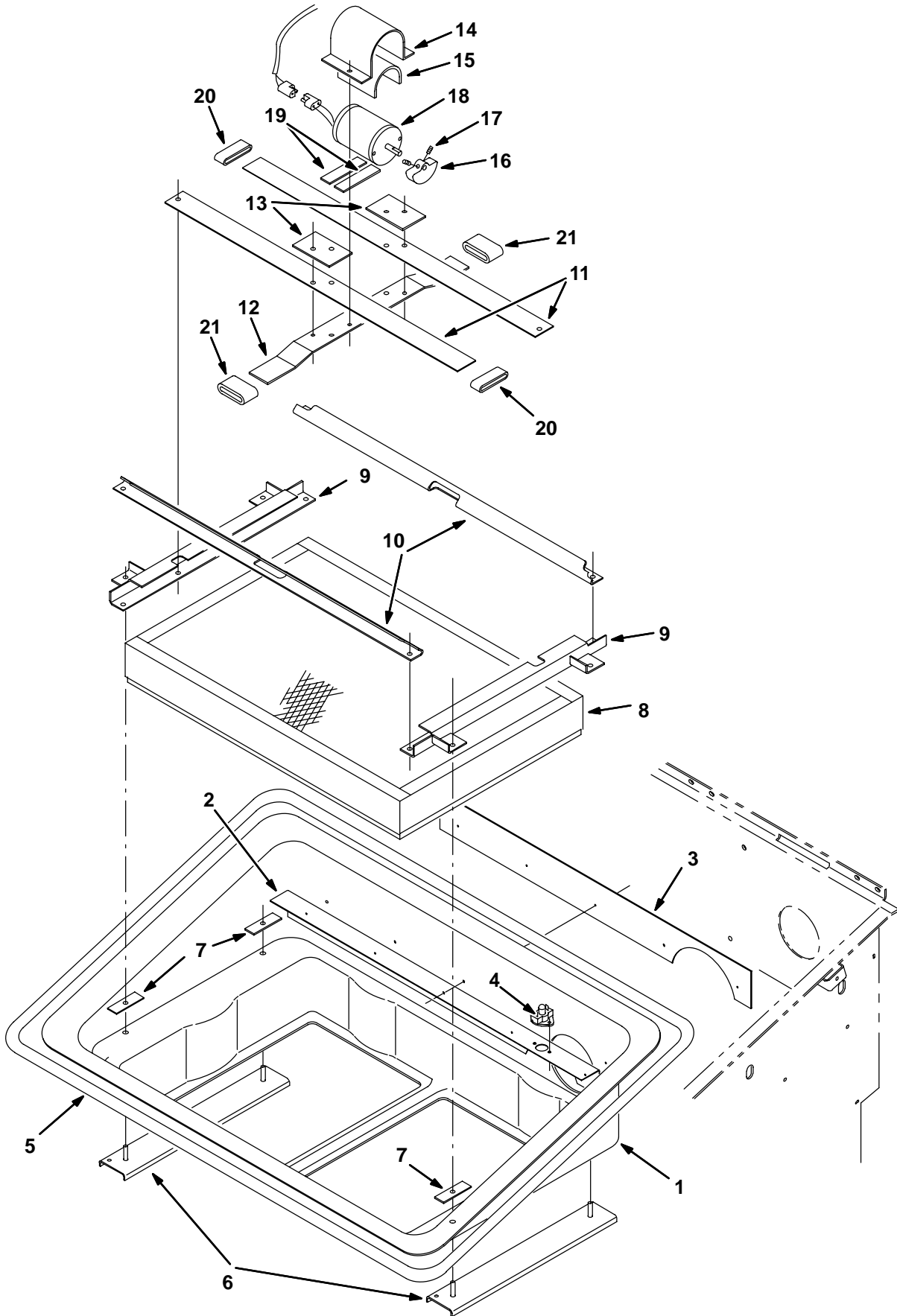


Fig. 14 – Filter Box Group

Ref.	TENNANT Part No.	Machine Serial Number	Description	Qty.
1	73323	(000000–)	Tray, Filter Carrier	1
2	73322	(000000–)	Angle, Stiffener, Tray, Filter	1
3	73321	(000000–)	Plate, Stiffener, Tray, Filter	1
4	02712	(000000–)	Thermostat Assembly, 140 Deg	1
5	79425	(000000–)	Seal, Bulb 140.0 Lg	1
6	73320	(000000–)	Plate, Mounting, Shaker Filter	4
7	56610	(000000–)	Plate	4
8	10594	(000000–)	Filter, PKG, Panel, 94 Pleats	1
9	59545	(000000–)	Bracket	2
10	53786	(000000–)	Bracket, Filter	2
11	58482	(000000–)	Spring, Shaker	2
12	58483	(000000–)	Bar, Shaker	1
13	82475	(000000–)	Bar, Shaker Spring	2
14	36666	(000000–)	Strap, Motor, Shaker	1
15	36658	(000000–)	Bar–Flt .06T 4.00W 5.00L, Rbr	1
16	55130	(000000–)	Weight, Eccentric	1
17	20634	(000000–)	Scr–Set 10–24X0.25 Nylon Loc	2
18	54121	(000000–)	Motor, Elec Shaker 12V	1
19	36661	(000000–)	Bar–Flt .06T 1.00W 4.00L, Rbr	2
20	36663	(000000–)	Sleeve, 1.12B 1.38D1.00 Rubber	2
21	36665	(000000–)	Sleeve, 1.12B 1.62D1.50 Rubber	2

Fig. 15 – Hopper Cylinder and Dust Door Group

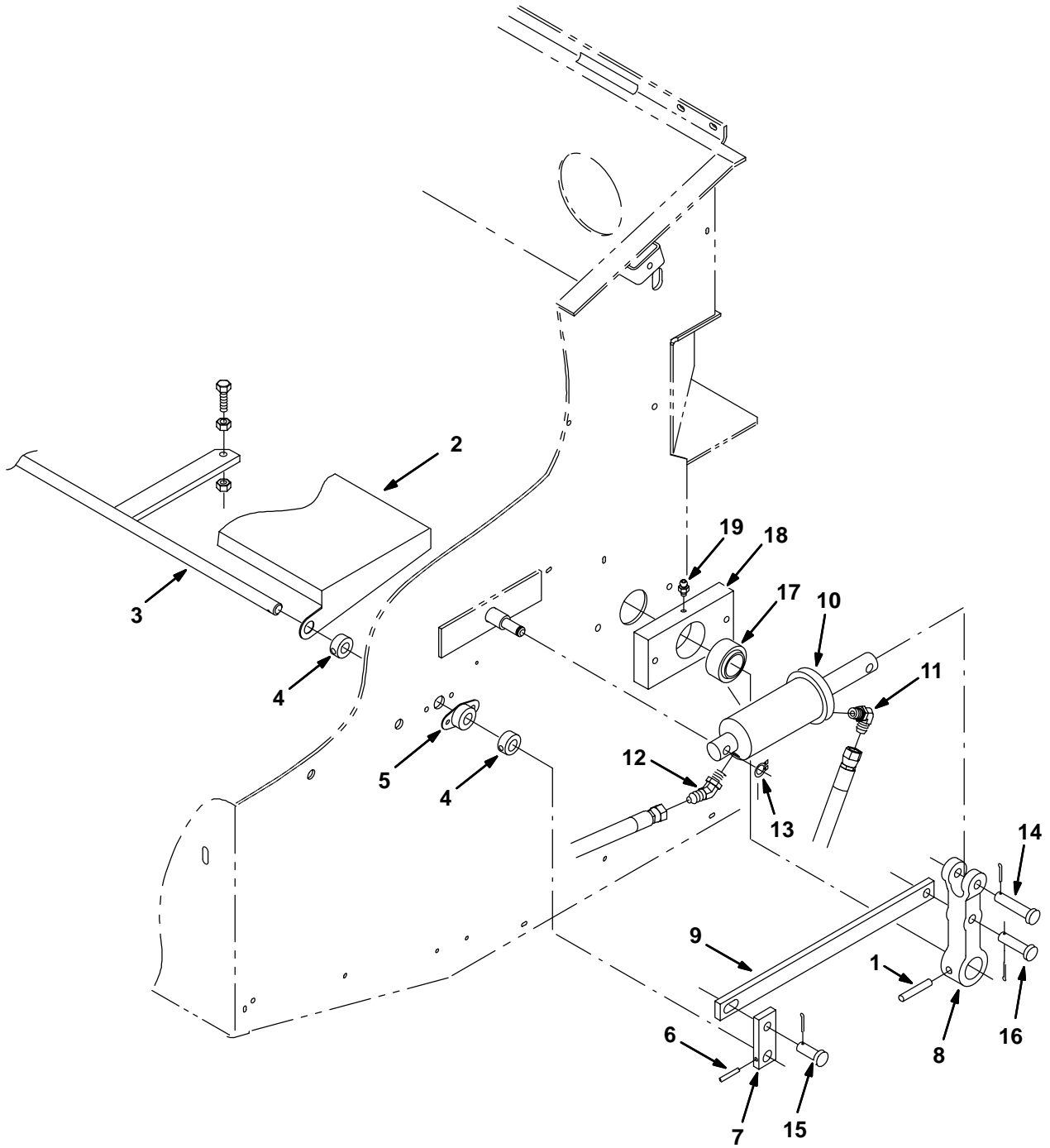


Fig. 15 – Hopper Cylinder and Dust Door Group

Ref.	TENNANT Part No.	Machine Serial Number	Description	Qty.
1	51317	(000000–)	Pin,Roll,.38Odx2.00L,.375/.382	2
2	53910	(000000–)	Door, Dust	1
3	53915	(000000–)	Rod	1
4	34725	(000000–)	Collar, Locking, Plated	4
5	34096	(000000–)	Bearing–Flange,2 Hole .625Bore	2
6	26103	(000000–)	Pin,Roll,.18Odx1.25L,.187/.192	2
7	59966	(000000–)	Bar, Link	2
8	78787	(000000–)	Yoke, Pivot, Machining	2
9	55893	(000000–)	Bar, Link	2
10	54096	(000000–)	Cylinder–Hyd2.0X4.0Da2500Psi	2
11	77097	(000000–)	Ftg–Hyd E90 Jm04/Om04	2
12	34359	(000000–)	Ftg–Hyd E45 Jm04/Om04	2
13	23524	(000000–)	Ring,Retain,Ex,0.50Od,Selflock	2
14	11211	(000000–)	Pin, Clevis .50 Dia X 2.25 Lg	2
15	58078	(000000–)	Pin,Clevis, .50 Dia X 1.25 Lg	2
16	51534	(000000–)	Pin,Clevis,0.50 Dia.X 2.00 Lg	2
17	42120–1	(000000–)	Bearing–Self Align 1.250 Bore	2
18	55914	(000000–)	Hub, Pivot	2
19	47801	(000000–)	Ftg, Grease.25–28Th Strt .63L	2

Fig. 16 – Hopper Solenoid Valve Group

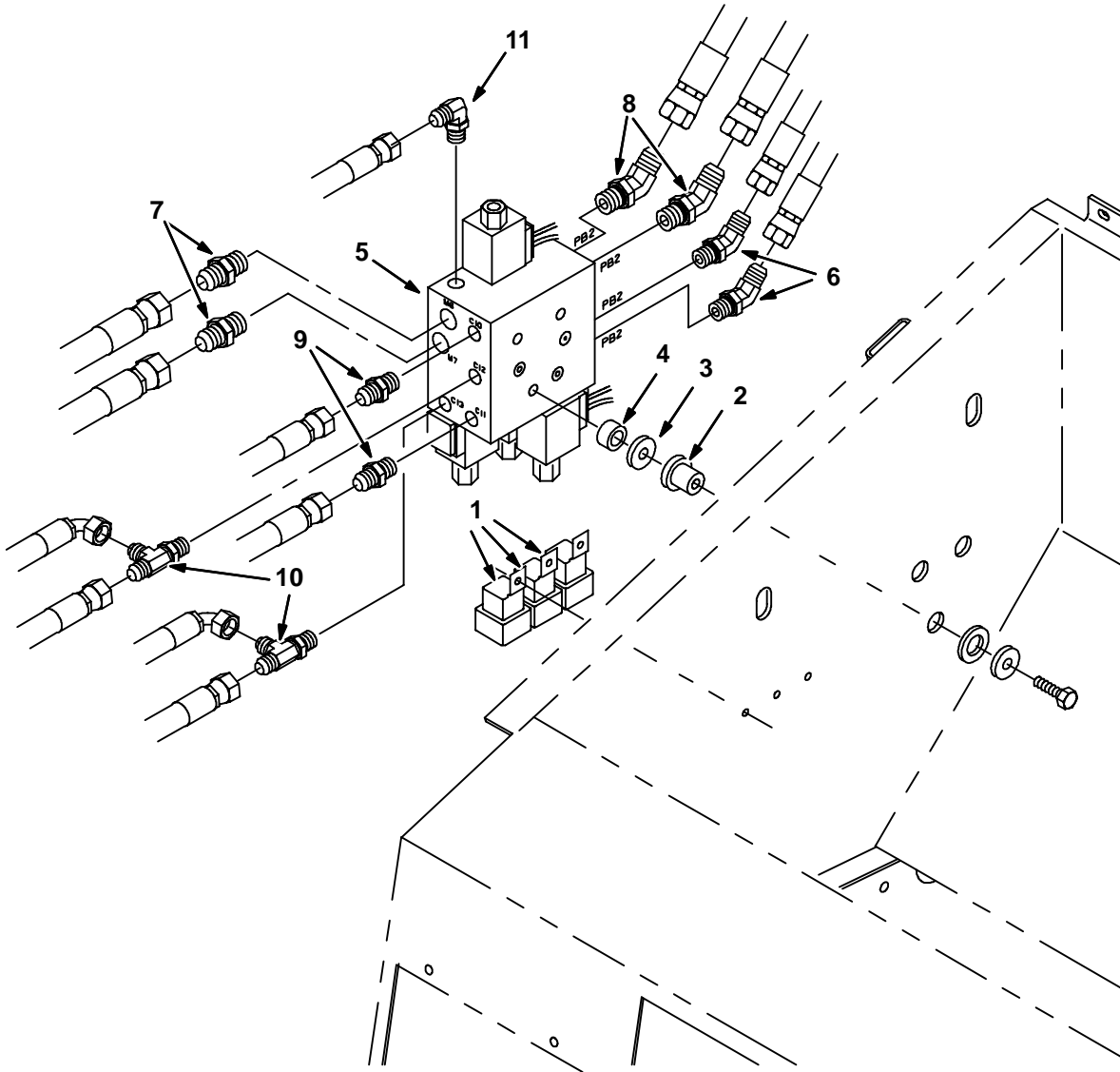


Fig. 16 – Hopper Solenoid Valve Group

Ref.	TENNANT Part No.	Machine Serial Number	Description	Qty.
1	56186	(000000–)	Relay, Shrouded, 12 Vdc	3
2	54274	(000000–)	Isolator–Vibration, 125Lb. Ratng	3
3	13248	(000000–)	Washer .400B 1.12D .12Cr Znc	6
4	82229	(000000–)	Sleeve, .562B .88D .50 Zinc	3
5	73086	(000000–)	Valve, Hyd Cntrl Sol (See Breakdowns)	1
6	34359	(000000–)	Ftg–Hyd E45 Jm04/Om04	2
7	44869	(000000–)	Ftg–Hyd Str Jm08/Om08	2
8	42226	(000000–)	Ftg–Hyd E45 Jm08/Om08	2
9	55586	(000000–)	Ftg–Hyd Str Jm04/Om04	2
10	34390	(000000–)	Ftg–Hyd Tee Jm04Jmom	2
11	77097	(000000–)	Ftg–Hyd E90 Jm04/Om04	1

Fig. 17 – Vacuum Fan Group

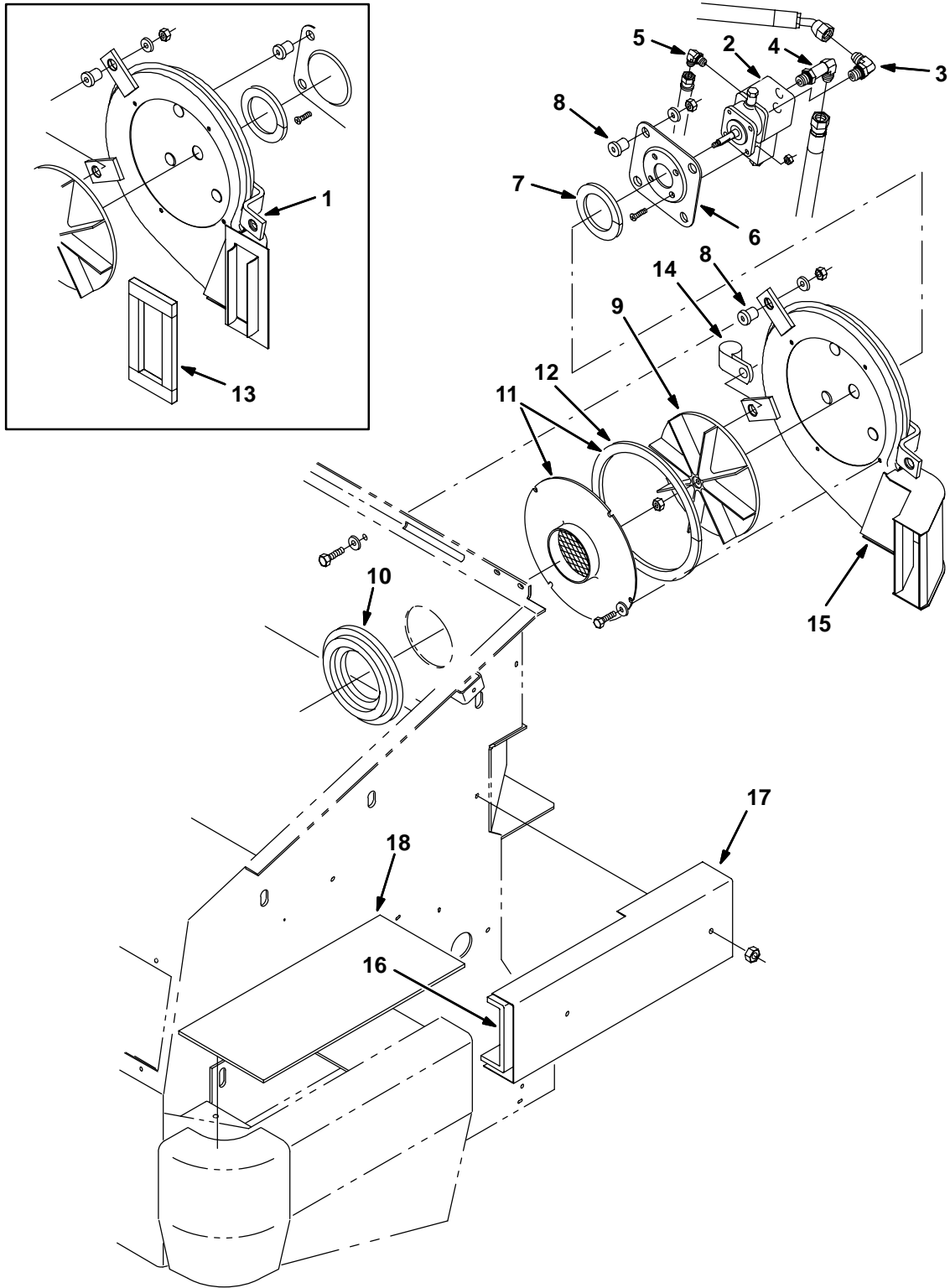


Fig. 17 – Vacuum Fan Group

Ref.	TENNANT Part No.	Machine Serial Number	Description	Qty.
1	73164	(000000-010249)	Housing, Vac Fan	1
2	53485	(000000-)	Motor-Hyd Gear Ex .194 R3000 (See Breakdowns)	1
3	44868	(000000-)	Ftg-Hyd E90 Jm08/Om08	1
4	69173	(000000-)	Ftg-Hyd E90 Jm08/Om08	1
5	77097	(000000-)	Ftg-Hyd E90 Jm04/Om04	1
6	54275A	(000000-)	Bracket, Mounting Motor	1
7	59967	(000000-)	Seal, Fan, Vac, Motor	1
8	54274	(000000-)	Isolator-Vibration, 125Lb.Ratng	7
9	08143	(000000-)	Impeller, 9.00 Dia X 0.376B	1
10	73397	(000000-)	Seal, Fan, Vac, Inlet	1
▽ 11	59656	(000000-)	Duct Assy, Vac Fan W/Seal	1
▲ 12	59735	(000000-)	Seal, Fan, Vac, Inlet	1
13	73396	(000000-010249)	Seal, Fan, Vac, Outlet	1
14	53468	(000000-)	Clamp, Hose	1
15	21207	(010250-)	Housing, Vac Fan	1
16	10695	(010250-)	Insulation, S/Foam, Vac Duct	1
17	21206	(010250-)	Duct, Side	1
18	10693	(010250-)	Insulation, S/Foam, BUMPER	1

Fig. 18 – Pressure Switch Group

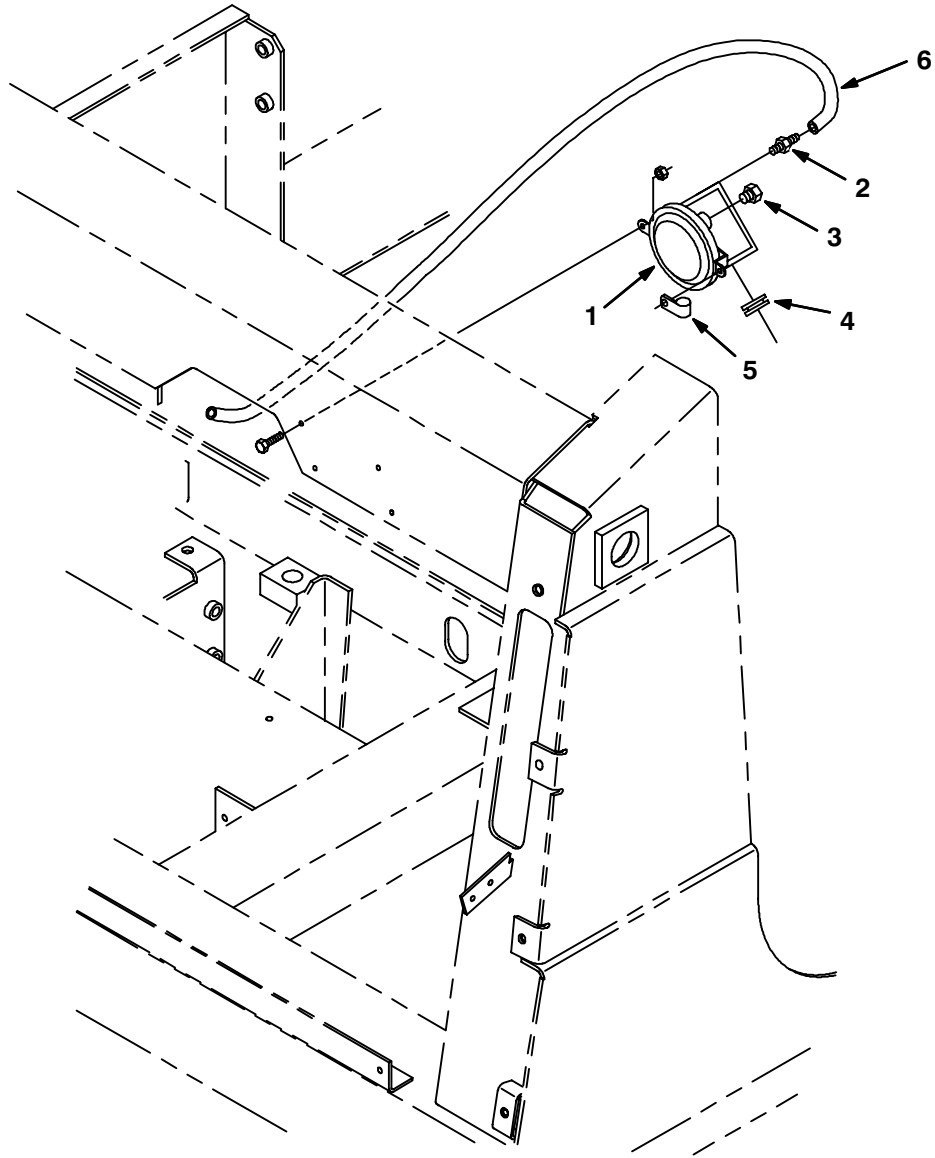


Fig. 18 – Pressure Switch Group

Ref.	TENNANT Part No.	Machine Serial Number	Description	Qty.
1	34868	(000000–)	Switch, Pressure	1
2	40607	(000000–)	Ftg, Brass,St Bm03/Pm02	1
3	82739	(000000–)	Ftg, Breather	1
4	10632–4	(000000–)	Grommet, Rbr,0.62ld,For .06Matl	1
5	46236	(000000–)	Clamp–Cable, 0.25Dia 0.56Wth	1
6	39780–1	(000000–)	Hose, Vacuum,.16ld X 28.0Lg	1

Fig. 19 – Engine And Mount Group

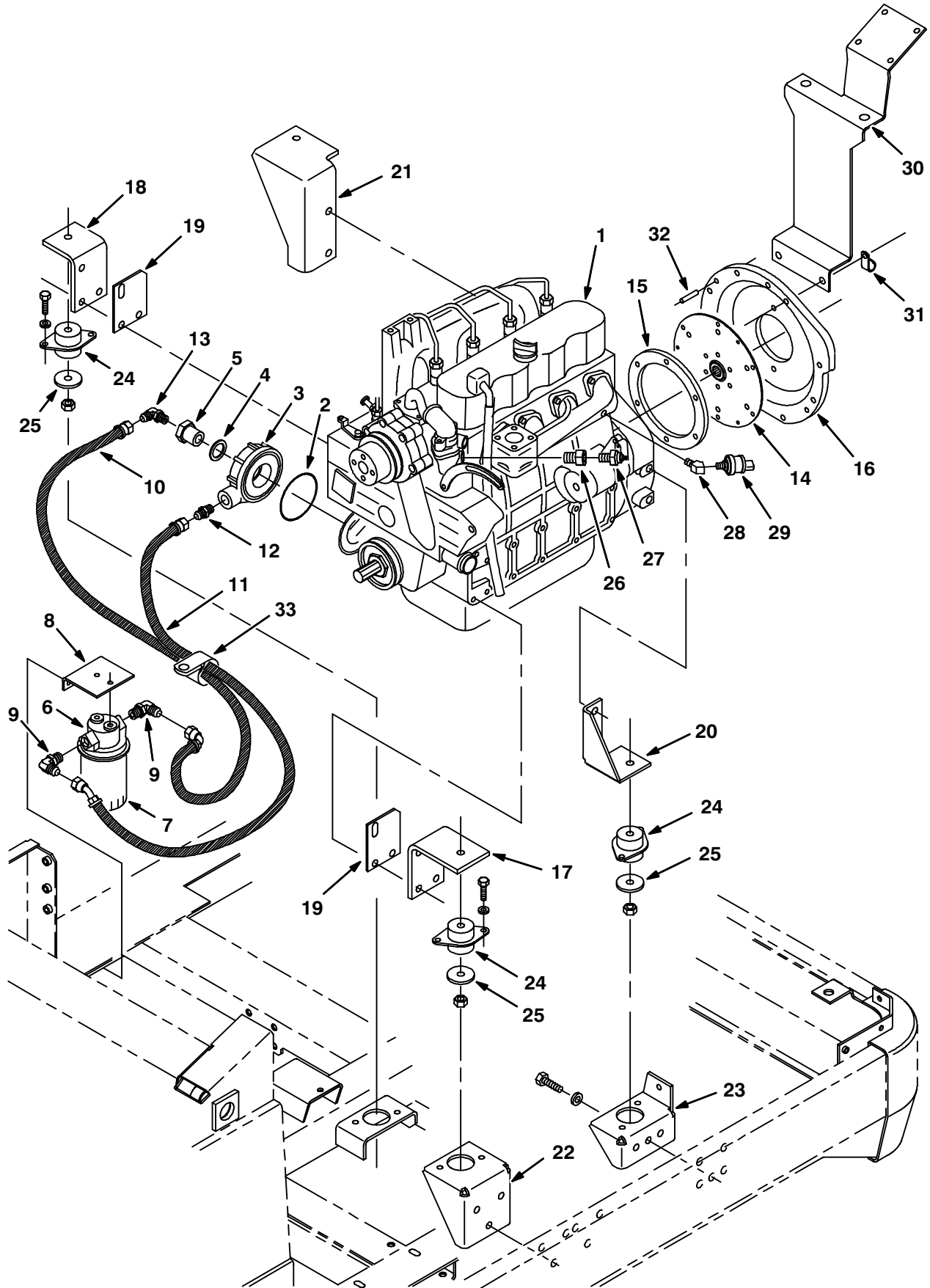


Fig. 19 – Engine And Mount Group

Ref.	TENNANT Part No.	Machine Serial Number	Description	Qty.
▽ 1	73032	(000000–)	Engine Assy, Die (See Breakdown)	1
▲ 2	73292	(000000–)	O–Ring, Oil Filter	1
▲ 3	73291	(000000–)	Adaptor, Oil Filter	1
▲ 4	73293	(000000–)	Washer Brass	1
▲ 5	73294	(000000–)	Plug, Oil Filter	1
▲ 6	73295	(000000–)	Adaptor, Oil Filter, Remote	1
7	55849	(000000–)	Oil Cartridge	1
8	72966	(000000–)	Bracket, Mtg, Oil Filter	1
9	17771	(000000–)	Ftg–Hyd E90 Pm08/Jm06	2
10	72964	(000000–)	Hose–Hyd Low06 See60105 Jf/J9	1
11	72965	(000000–)	Hose–Hyd Low06 See60104 Jf/J4	1
12	73296	(000000–)	Fitting–Hyd Str	1
13	49934	(000000–)	Ftg–Hyd E90 Pm06/Jm06	1
14	77214	(000000–)	Coupling Assy, Flywheel 8.75Bc	1
15	25522	(000000–)	Ring Coupling Mounting	1
16	25066	(000000–)	Housing, Flywheel, Machined	1
17	73024	(000000–)	Bracket, Eng, Lh, Front, Upper	1
18	73025	(000000–)	Bracket, Eng, Rh, Front, Upper	1
19	73146	(000000–)	Plate, Spacer	2
20	72786	(000000–)	Bracket, Eng,Lh,Rear, Upper	1
21	72787	(000000–)	Bracket, Eng, Rh, Rear, Upper	1
22	73023	(000000–)	Bracket, Eng, Lh, Front, Lower	1
23	73133	(000000–)	Bracket, Eng, Lh, Rear, Lower	1
24	63695	(000000–)	Isolator, Mounting	4
25	04414	(000000–)	Washer, .531B 1.88D .12Hard Zn	4
26	47167	(000000–)	Ftg–Str Npt/Npt 06Pf–08Pm	1
27	36165	(000000–)	Send Unit, Temperature	1
28	24976	(000000–)	Ftg–Brs E45 Pm02/Pf02	1
29	77603	(000000–)	Switch, Pressure, Oil	1
30	78807	(000000–)	Bracket Wldt, Fan	1
31	30407	(000000–)	Clip, Keeper, Open	2
32	82579	(000000–)	Pin, Spring, 10.5MM x 26MM	2
33	58366	(000000–)	Clamp–Cable, 1.25D 1.00W STL	1

Fig. 20 – Throttle Group

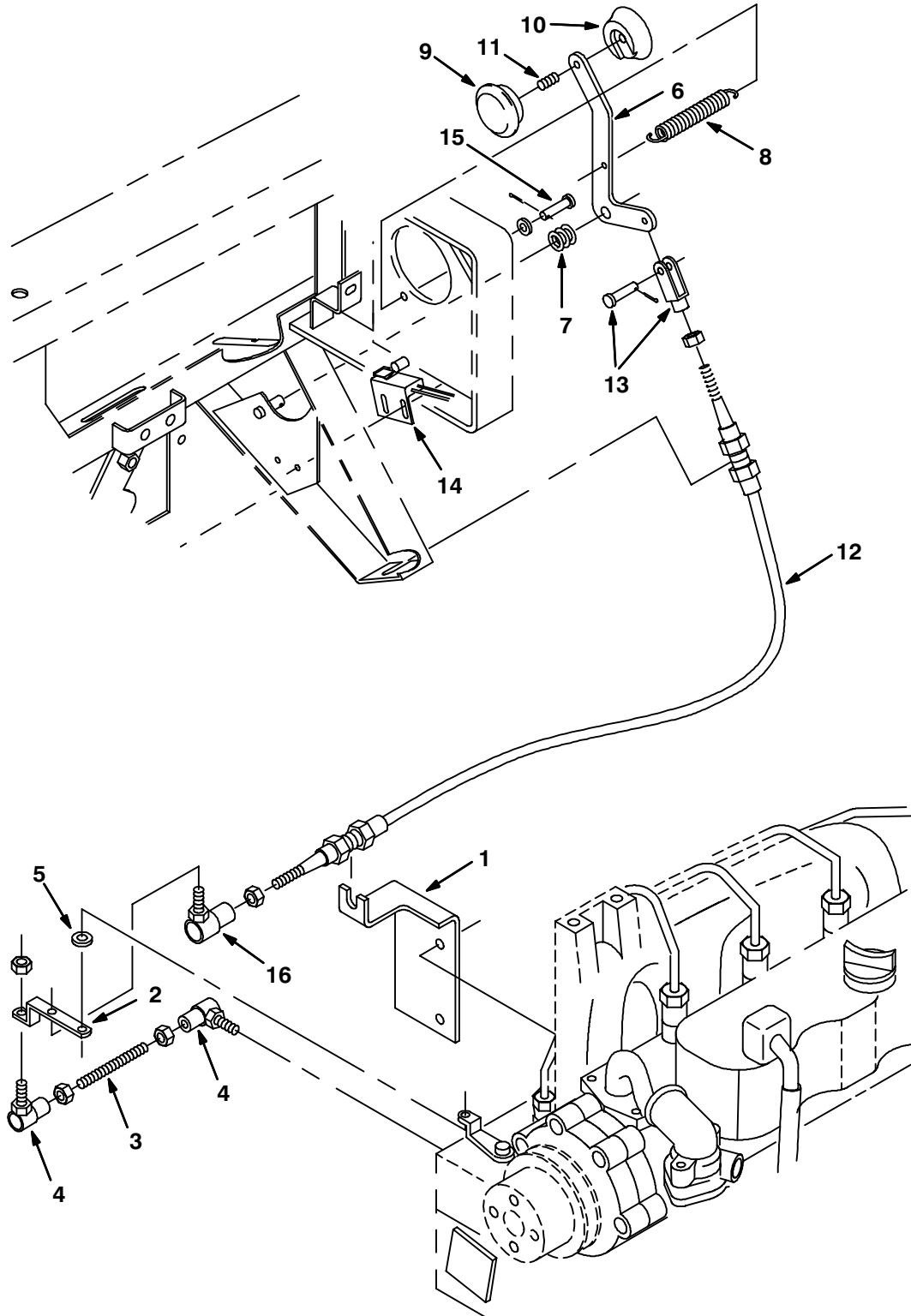


Fig. 20 – Throttle Group

Ref.	TENNANT Part No.	Machine Serial Number	Description	Qty.
1	73274	(000000–)	Bracket, Throttle, Engine	1
2	82597	(000000–)	Link, Throttle	1
3	42196	(000000–)	Rod–Thrd, Full .25–28	1
4	14601	(000000–)	Ball Joint, 250–28	2
5	24924	(000000–)	Washer, .281B .62D .06Nylon	1
6	72627	(000000–)	Lever, Throttle, Diesel	1
7	57889	(000000–)	Sprng,Comp,0.59Idx.05Wire 0.6L	1
8	29260	(000000–)	Sprng,Tens,0.37Odx.05Wire 4.5L	1
9	64434	(000000–)	Knob	1
10	70827	(000000–)	Knob	1
11	70847	(000000–)	Screw Set M 6X1.020	1
12	73337	(000000–)	Cable, Push–Pull	1
13	27880	(000000–)	Yoke Assy.	1
14	59962	(000000–)	Switch, Roller	1
15	36376	(000000–)	Pin, Clevis, .19 DiaX.50 Lg	1
16	14506–1	(000000–)	Ball Joint, 10–32	1

Fig. 21 – Alternator Group

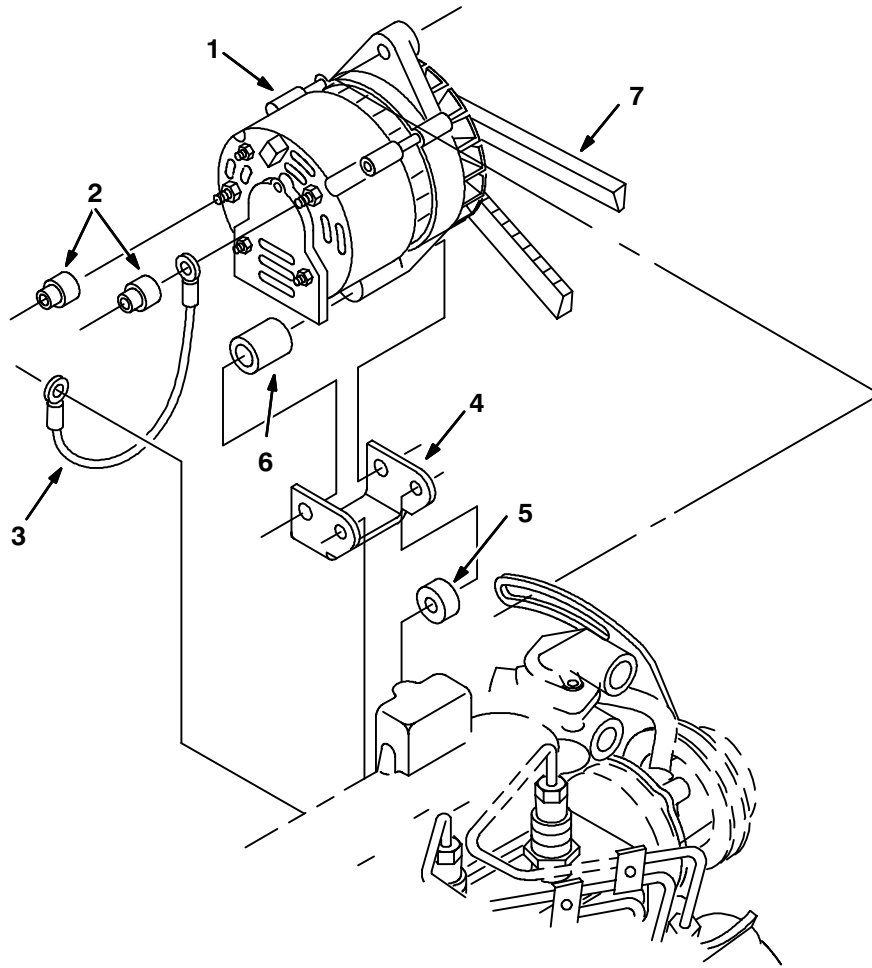


Fig. 21 – Alternator Group

Ref.	TENNANT Part No.	Machine Serial Number	Description	Qty.
▽ 1	60559	(000000–)	Alternator, 50A/12V Mando	1
▲	61931	(000000–)	Regulator	1
▲	86041	(000000–)	Bearing–Ball,.669B 1.575D .472W	1
▲	61529	(000000–)	Brush Kit	1
▲	61531	(000000–)	Rectifier	1
▲	70160	(000000–)	Alternator Pully MD	1
2	61363	(000000–)	Boot, Alternator	2
3	82731	(000000–)	Wire–Ground, Alternator	1
4	33701	(000000–)	Bracket Alt Kubota Se	1
5	06918	(000000–)	Sleeve, .375B 1.00D .69 Cd,Znc	1
6	33736	(000000–)	Sleeve	1
7	04022	(000000–)	V–Belt, A–42	1

Fig. 22 – Air Cleaner Group

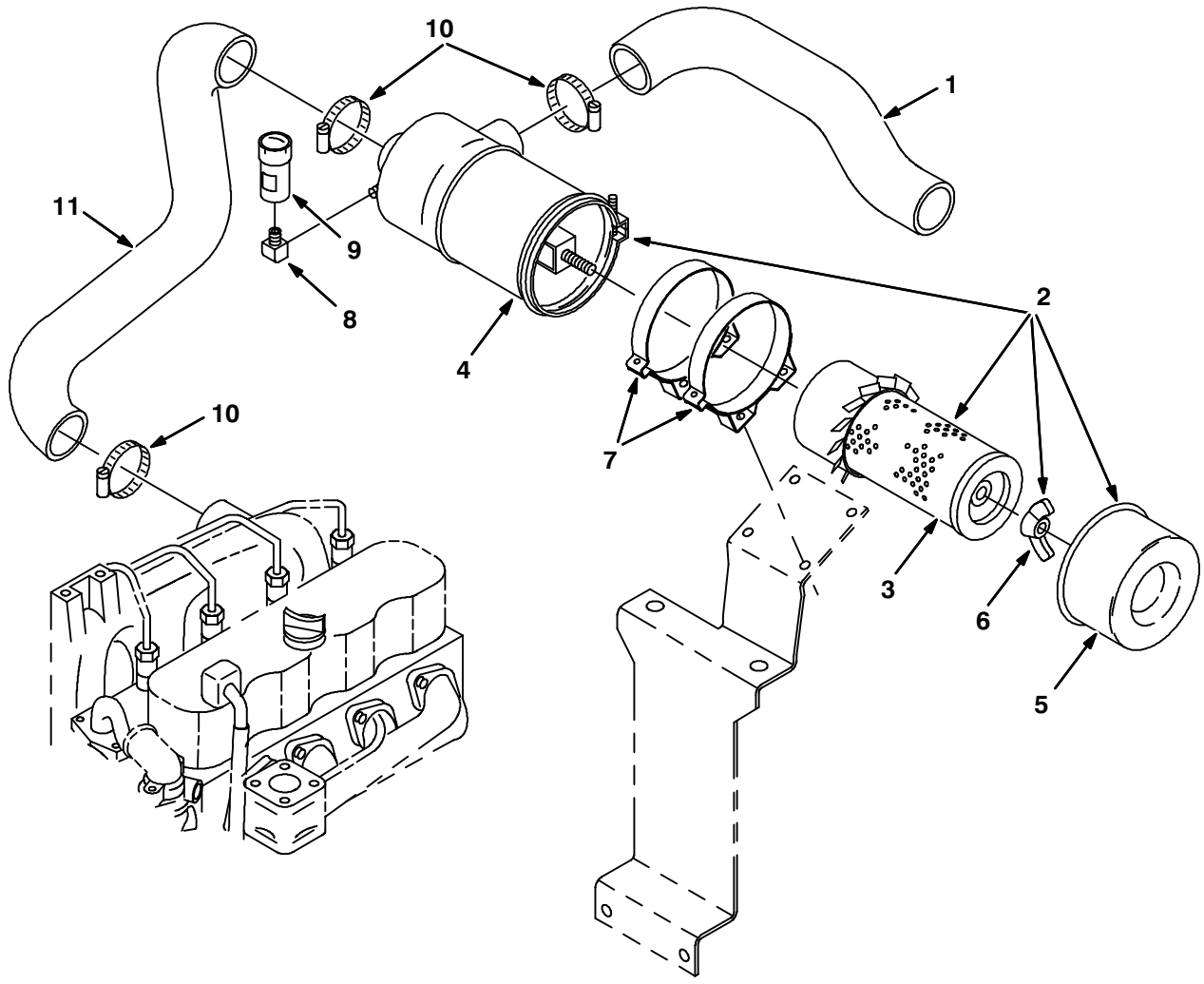


Fig. 22 – Air Cleaner Group

Ref.	TENNANT Part No.	Machine Serial Number	Description	Qty.
1	78845	(000000–)	Hose, Air Intake, Molded	1
∇ 2	58538	(000000–)	Air Cleaner	1
▲ 3	58120	(000000–)	Filter Element, Air	1
▲ 4	02740	(000000–)	Clamp Assy	1
▲ 5	02741	(000000–)	Cup Assy	1
▲ 6	07562	(000000–)	Nut,Wing .44–20 Special	1
7	51560–3	(000000–)	Clamp,Mounting,Cyclopac Aircl.	2
8	11984	(000000–)	Ftg, EI90 Npt/02Pf–02Pm	1
9	03026	(000000–)	Indicator Service Air Filter	1
10	14432	(000000–)	Clamp–Wormdrive, 1.81– 2.75D	3
11	78846	(000000–)	Hose, Air Intake, Molded, Die	1

Fig. 23 – Muffler Group

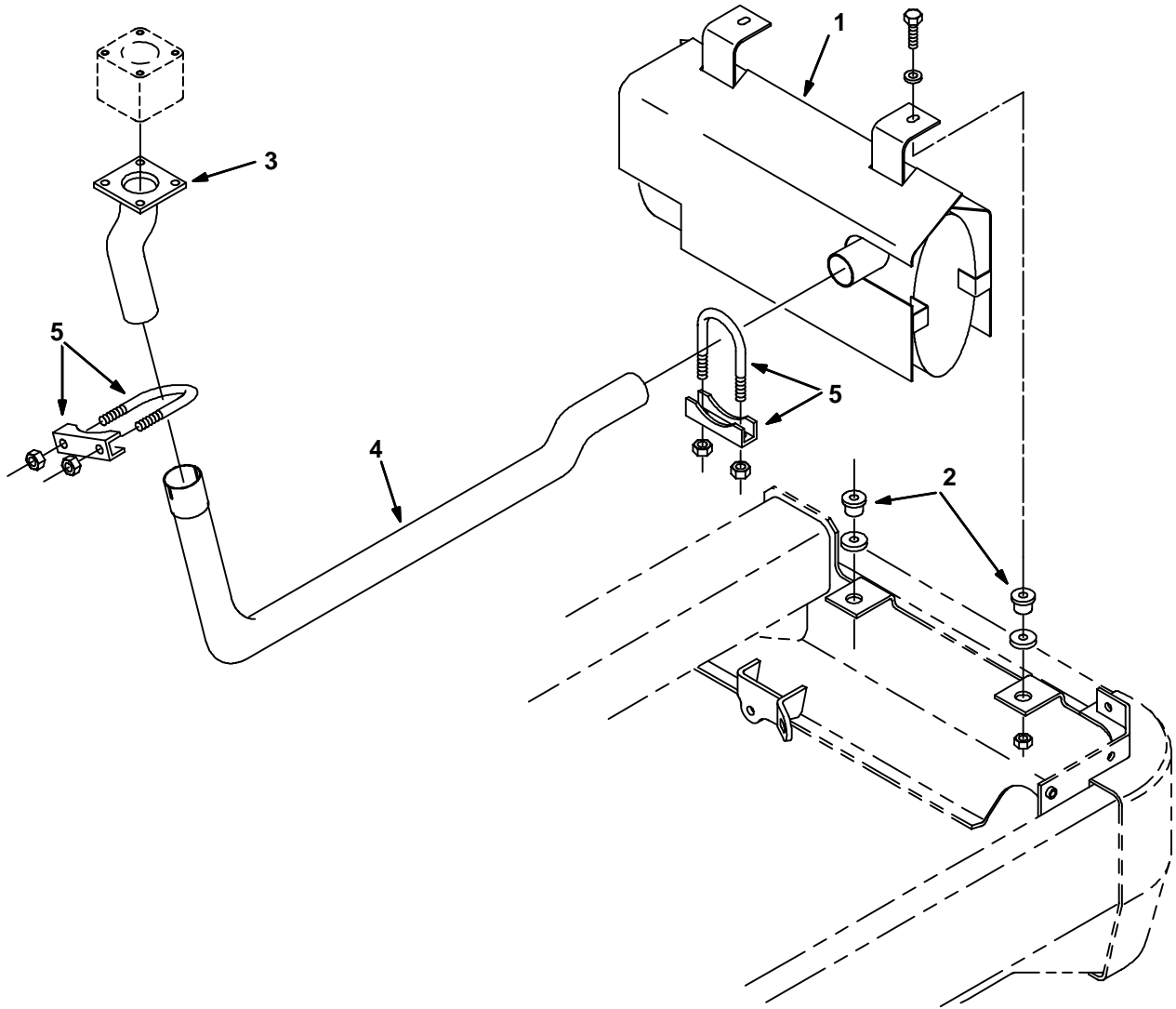


Fig. 23 – Muffler Group

Ref.	TENNANT Part No.	Machine Serial Number	Description	Qty.
1	73030	(000000–)	Muffler, Exhaust	1
2	54274	(000000–)	Isolator–Vibration, 125Lb. Ratng	2
3	77329	(000000–)	Pipe, Exhaust, Die	1
4	73029	(000000–)	Pipe, Exhaust, Die	1
5	24012	(000000–)	Clamp–Muffler, For 1.62 Od Tube	2

Fig. 24 – Fuel Tank Group

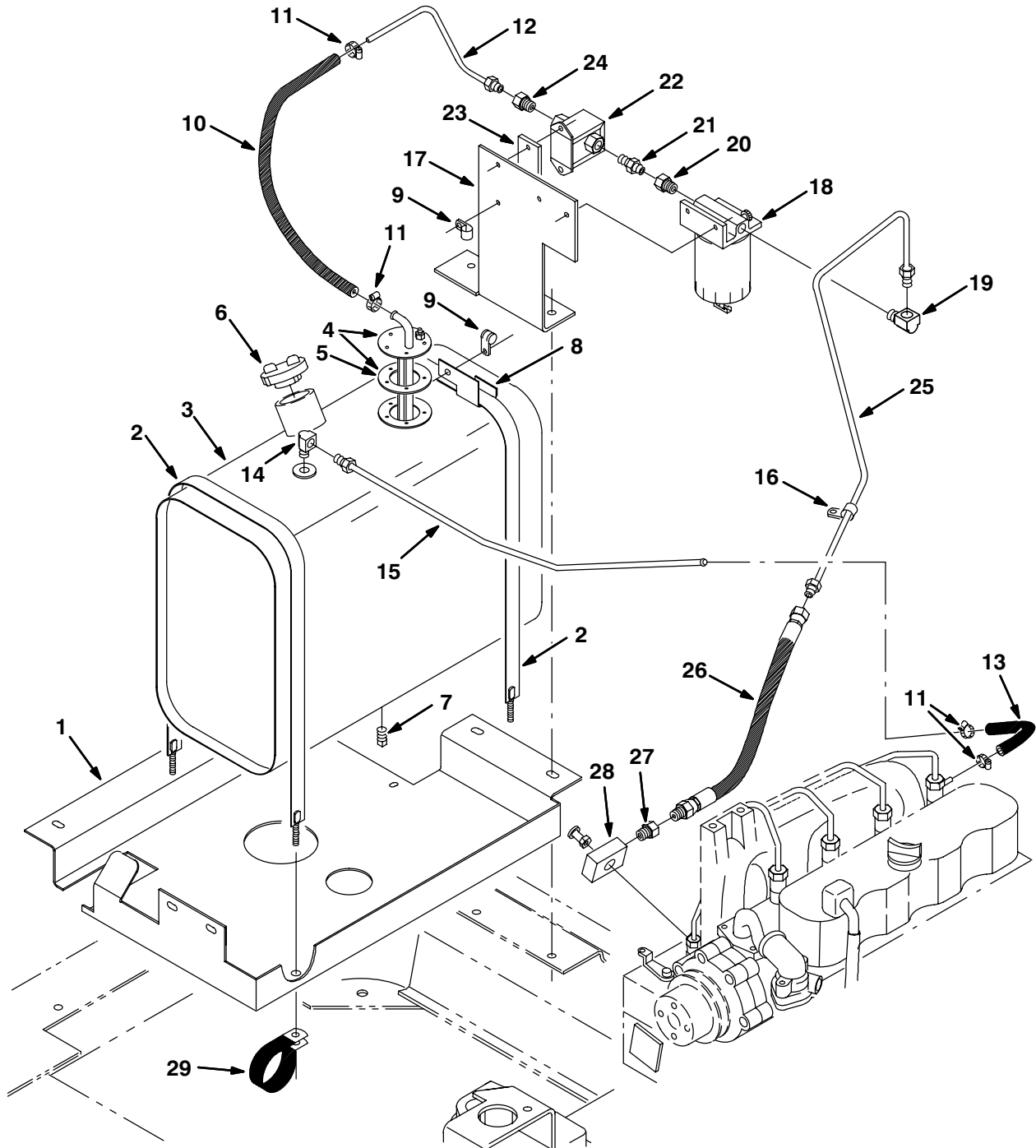


Fig. 24 – Fuel Tank Group

Ref.	TENNANT Part No.	Machine Serial Number	Description	Qty.
1	73187	(000000–)	Tray, Gas	1
2	87396	(000000–)	Strap Weldmt, Gas Tank	2
▽ 3	72992	(000000–)	Tank, Fuel 9.3Gal	1
▲▽ 4	78937	(000000–)	Sending Unit Tc	1
▲▲ 5	14131	(000000–)	Gasket, 2.7D 1.5B.12T 5/ 2.1Bc	1
▲ 6	48267	(000000–)	Cap, Fuel	1
▲ 7	48126	(000000–)	Ftg–Plug Npt 02Pm Sq Hd	1
8	70767	(000000–)	Tab, Fuelline	1
9	76736	(000000–)	Clamp–Cable, 0.38Dia 0.62Wth	2
10	70629	(000000–)	Hose, Fuelline .31Id X 6.0Lg	1
11	43844	(000000–)	Clamp–Wormdrive, 0.25– 0.62D	4
12	73334	(000000–)	Tube, Fuelline, Diesel	1
13	50467	(000000–)	Hose Rubber .188I.D X 4.0 Lg	1
14	53078	(000000–)	Ftg–Brs E90 If03/Pm02	1
15	73336	(000000–)	Fuelline	1
16	26395–1	(000000–)	Clamp–Cable, 0.56Dia 0.38Wth	1
17	73328	(000000–)	Bracket, Mounting, Fuel Pump	1
▽ 18	55850	(000000–)	Filter, Fuel, diesel	1
▲	55844	(000000–)	Filter, Fuel, Element	1
19	15555–2	(000000–)	Fitting, Brass E90	1
20	17414	(000000–)	Ftg–Hyd Str Pm02/Pf04	1
21	47566	(000000–)	Ftg–Hyd Str Pm02/Pm02	1
22	59945	(000000–)	Pump, Fuel, Ele	1
23	77348	(000000–)	Plate, Spacer	1
24	40585	(000000–)	Ftg–Brs Str If05/Pm02	1
25	73335	(000000–)	Fuelline	1
26	70173	(000000–)	Hose, Fuelline, 10.0L	1
27	40585	(000000–)	Ftg–Brs Str If05/Pm02	1
28	33737	(000000–)	Banjo Fuel	1
29	73735	(000000–)	Clamp–Cable, 2.50D 1.00W STL	1

Fig. 25 – Radiator and Hydraulic Cooler Group

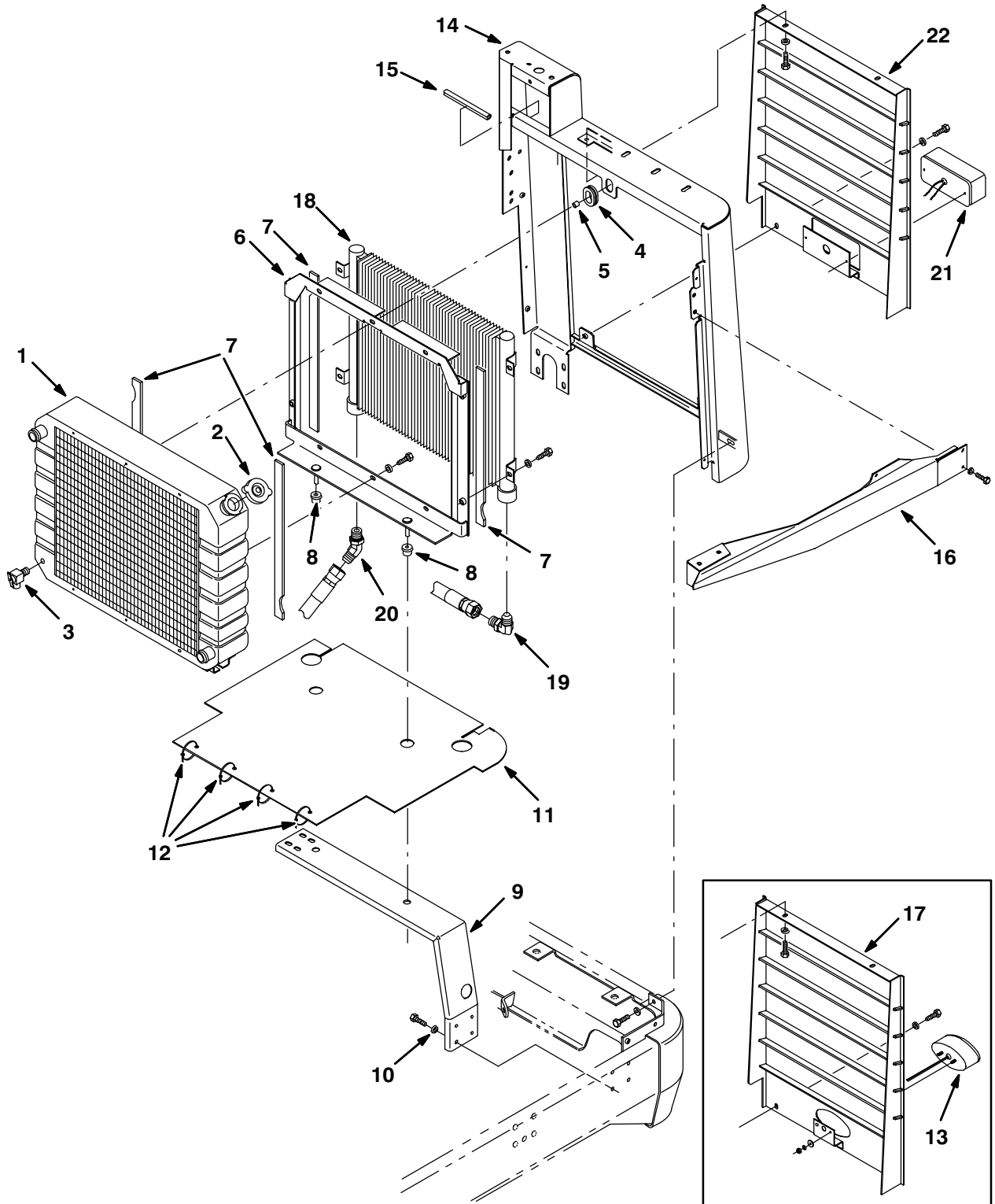


Fig. 25 – Radiator and Hydraulic Cooler Group

Ref.	TENNANT Part No.	Machine Serial Number	Description	Qty.
1	73140	(000000–)	Radiator, 4 Row, 6 Fin	1
2	31755	(000000–)	Cap Radiator	1
3	51305	(000000–)	Drain Cock,.25Npt Wh#120 Angl	1
4	10632–14	(000000–)	Grommet,Rbr,1.00ld,For .12Matl	1
5	22140	(000000–)	Sleeve, .370B .50D .50 Butwcd	1
6	78928	(000000–)	Frame Wldt, Mtg, Radiator	1
7	63818	(000000–)	Seal, Duct	4
8	54274	(000000–)	Isolator–Vibration,125Lb.Ratng	2
9	72688	(000000–)	Channel, Mounting, Radiator	1
10	41186	(000000–)	Washer–Belleville .31 Pltd	13
11	73422	(000000–)	Skirt, Lower	1
12	49266	(000000–)	Tie, Cable 1.75D Max 7.50Lg	4
▽ 13	55274	(000000– 010371)	Taillight Assy	1
▲	45780	(000000– 010371)	Bulb, 12V.5A 4CP #1157	1
14	78755	(000000–)	Tower Wldt, Corner, Lh	1
15	57569	(000000–)	Molding, Trim 11–14Ga 6.75	1
16	78889	(000000–)	Channel, Brace	1
17	78749	(000000– 010371)	Panel Wldt, Grill	1
18	73106	(000000–)	Cooler, Hyd 25Gpm 400Btu 0500	1
19	53077	(000000–)	Ftg–Hyd E90 Jm16/Om16	1
20	57479	(000000–)	Ftg–Hyd E45	1
▽ 21	59949	(010372–)	Tail light Assy.	1
▲	45780	(010372–)	Bulb 12V. 5A 4cp #1157	1
22	10568	(010372–)	Panel Wldt. Grill	1

Fig. 26 – Radiator Housing and Fan Motor Group

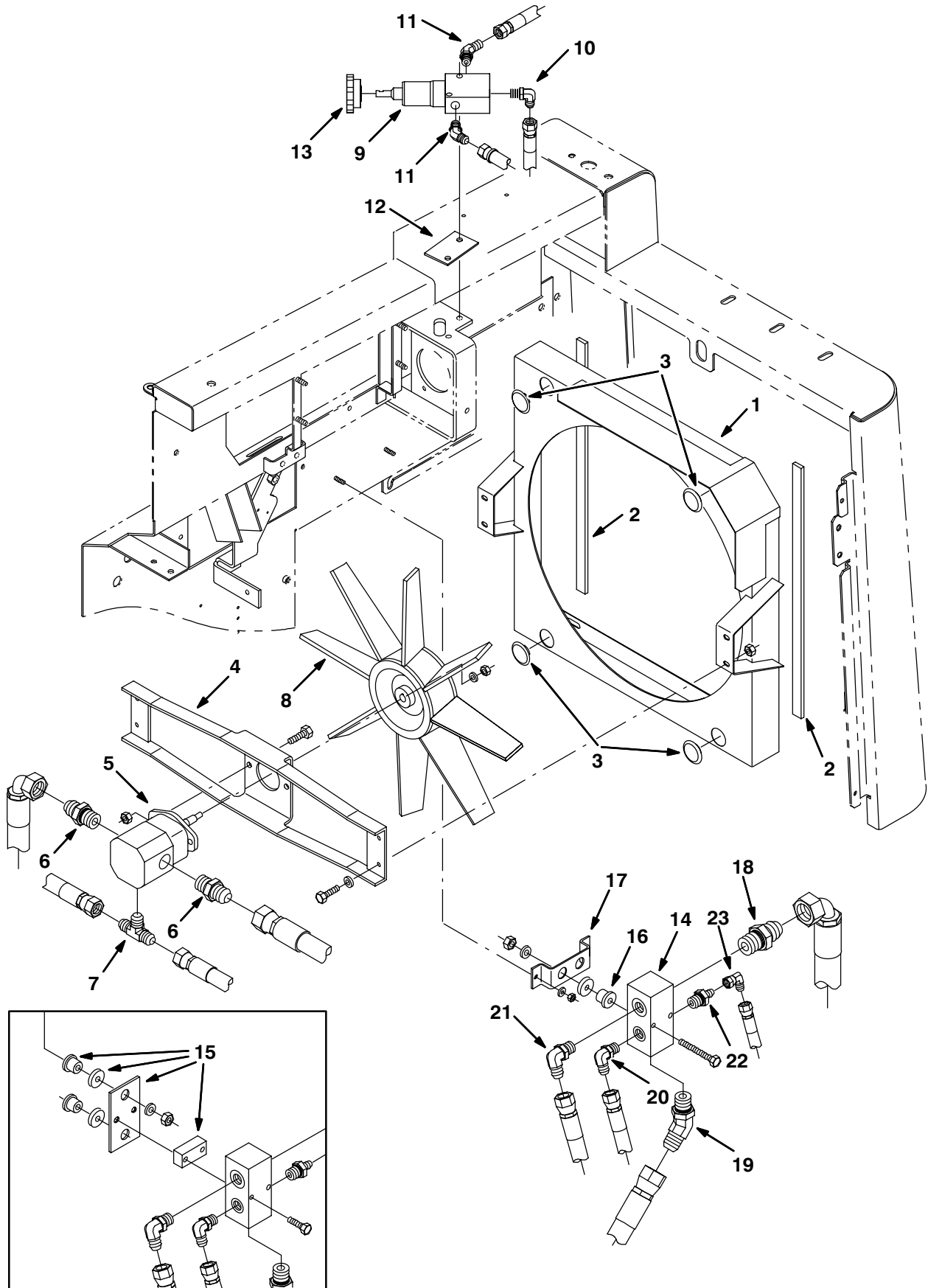


Fig. 26 – Radiator Housing and Fan Motor Group

Ref.	TENNANT Part No.	Machine Serial Number	Description	Qty.
1	73130	(000000–)	Cover Wldt, Fan	1
2	28950–2	(000000–)	Seal,Foam Rbr, .31 .38W 19.5L	2
3	50967	(000000–)	Plug, Buttom	4
4	70703	(000000–)	Channel Wldt, Fan Motor	1
5	73098	(000000–)	Motor, Hyd Gear Ex 0.26 R 3000 (See Breakdowns)	1
6	52402	(000000–)	Ftg–Hyd Str Jm06/Om08	2
7	31599	(000000–)	Ftg–Hyd Tee Jm04Omjm	1
8	63280	(000000–)	Fan, Radiator	1
9	73097	(000000–)	Valve, Hyd Psi Reducer 400/600	1
10	77097	(000000–)	Ftg–Hyd E90 Jm04/Om04	1
11	34359	(000000–)	Ftg–Hyd E45 Jm04/Om04	2
12	77216	(000000–)	Isolator, Valve	1
13	78770	(000000–)	Knob, Plastic	1
14	73108	(000000–)	Manifold, Hyd Collector	1
15	10749	(000000– 010291)	Replacement Kit, Spacer & Plt.	1
16	54274	(000000–)	Isolator–Vibration,125Lb.Ratng	2
17	10740	(010292–)	Bracket, Sppt	1
18	52929	(000000–)	Ftg–Hyd Str Jm16/Om16	1
19	16081	(000000–)	Ftg–Hyd E45 Jm12/Om12	1
20	56820	(000000–)	Ftg–Hyd E90 Jm06/Om06	1
21	44868	(000000–)	Ftg–Hyd E90 Jm08/Om08	1
22	55686	(000000–)	Ftg–Hyd Str Jm04/Om08	1
23	39210	(000000–)	Ftg–Hyd E90 Jm04/Jf04	1

Fig. 27 – Radiator Hose and Hydraulic Filter Group

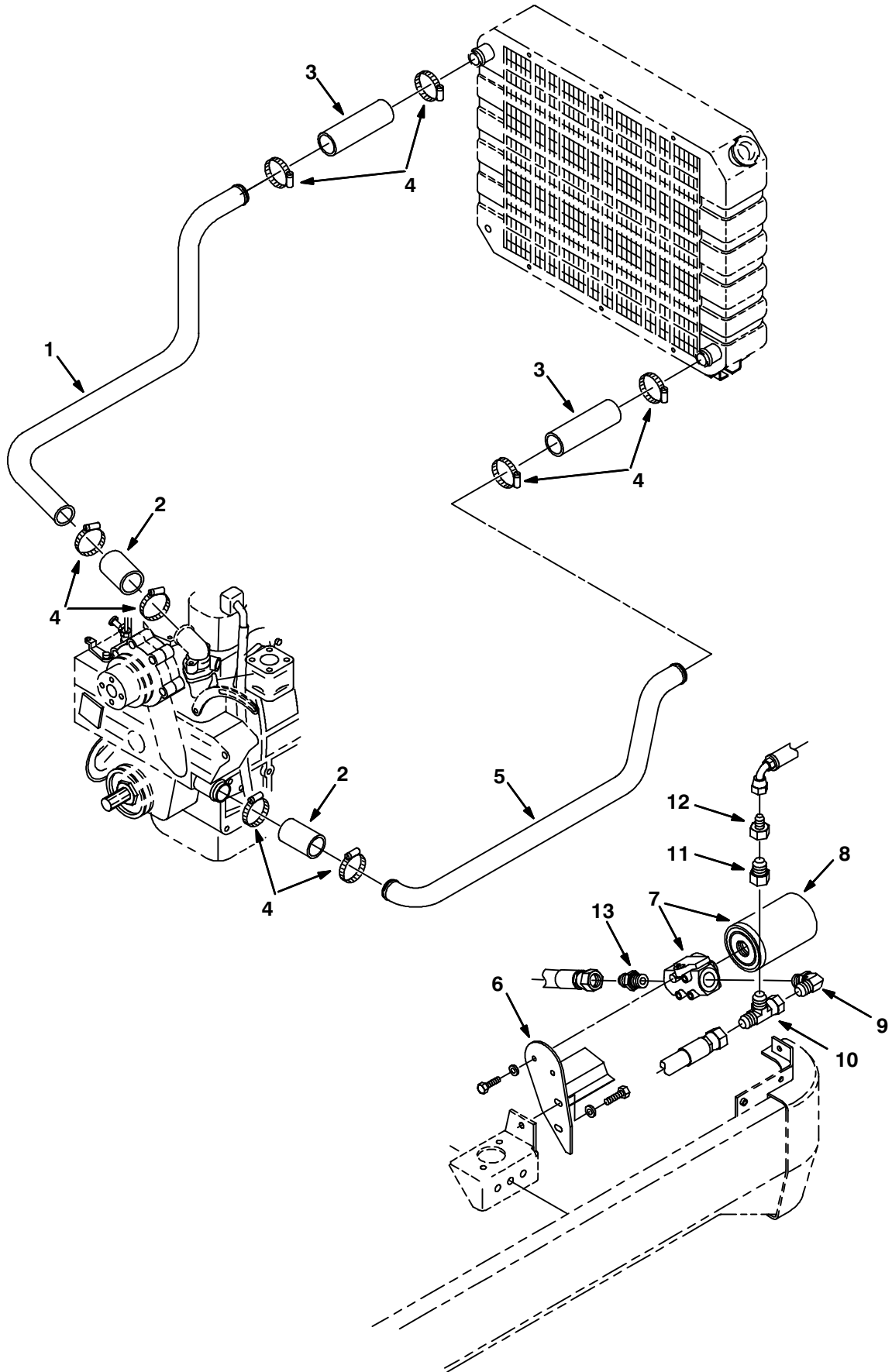


Fig. 27 – Radiator Hose and Hydraulic Filter Group

Ref.	TENNANT Part No.	Machine Serial Number	Description	Qty.
1	73282	(000000–)	Tube, Radiator, Upper, Diesel	1
2	62377	(000000–)	Hose Radiator, 1.50 Idx 3.0 Lg	2
3	78750	(000000–)	Hose, Radiator 1.50Id X 6.0Lg	2
4	79381	(000000–)	Clamp–Wormdrive, 1.06– 2.00D	8
5	73283	(000000–)	Tube, Radiator, Lower, Diesel	1
6	77374	(000000–)	Bracket Wldt	1
▽ 7	10664	(000000–)	Filter Assy, Spin–On	1
▲ 8	65221	(000000–)	Filter Element	1
9	52142	(000000–)	Ftg–Hyd E90 Jm16/Om12	1
10	73113	(000000–)	Fitting–Hyd Tee	1
11	35002	(000000–)	Ftg–Hyd Str See60054 Jm12/Jf16	1
12	78143	(000000–)	Ftg–Hyd Str Jm08/Jf12	1
13	34357	(000000–)	Ftg–Hyd Str Jm16/Om12	1

Fig. 28 – Battery Group

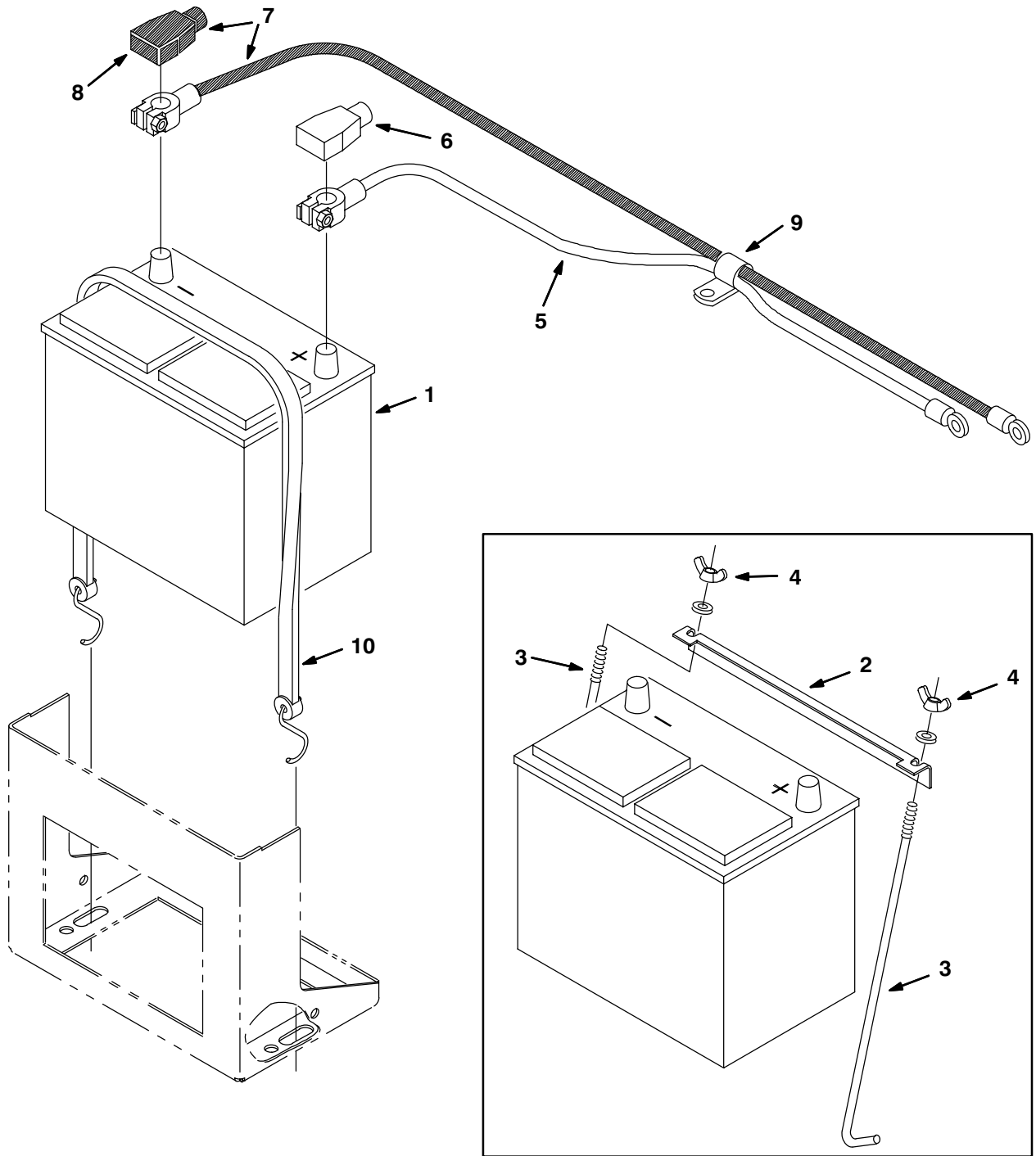


Fig. 28 – Battery Group

Ref.	TENNANT Part No.	Machine Serial Number	Description	Qty.
1	10143	(000000–)	Battery, 12V, Cc Amps:600 Wet	1
2	72977	(000000– 010461)	Angle, Battery	1
3	13015	(000000– 010461)	Bolt, Hold Down, Battery, 7.5 Lg	2
4	39272	(000000– 010461)	Nut–Wing .31–18 Pltd	2
▽ 5	60294	(000000–)	Wire, 78.0 Lg 2Ga, Pos	1
▲ 6	68873	(000000–)	Boot, Batt. Term. 1–2Ga. Red	1
▽ 7	60295	(000000–)	Wire, 60.0 Lg, 2Ga, Neg	1
▲ 8	68872	(000000–)	Boot, Batt. Term. 1–2Ga. Black	1
9	69234	(000000–)	Clamp–Cable, 1.00Dia. .62Wth	1
10	33671	(010462–)	Strap, Rubber Tie–Down	1

Fig. 29 – Rear Drive Wheel Group

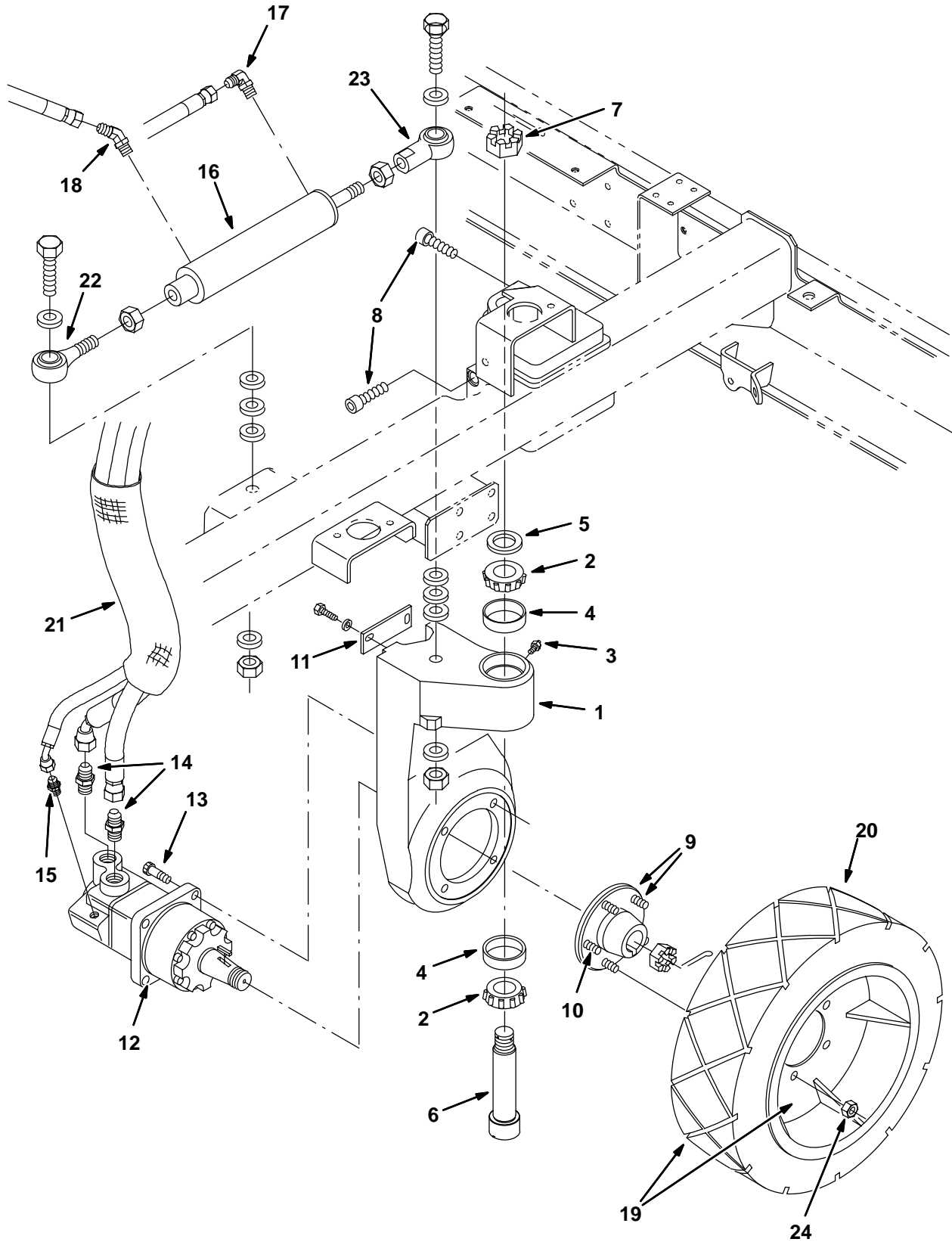


Fig. 29 – Rear Drive Wheel Group

Ref.	TENNANT Part No.	Machine Serial Number	Description	Qty.
1	53612	(000000–)	Housing Support, Wheel	1
2	51339	(000000–)	Bearing–Cone, 1.38Bore 0.71Wth	2
3	47801	(000000–)	Ftg, Grease.25–28Th Strt .63L	1
4	51338	(000000–)	Bearing–Cup , 2.56Dia 0.55Wth	2
5	54051	(000000–)	Washer, Thrust	1
6	73281	(000000–)	Pin, Support, Wheel, Rear	1
7	54052	(000000–)	Nut–Hex Slot 1.12–18	1
8	72926	(000000–)	Scr–Soc M16X2.0 50 12.9Pltd	2
▽ 9	54087	(000000–)	Hub & Stud	1
▲ 10	54086	(000000–)	Stud, Wheel .50–20X1.50 pLTD	5
11	58842	(000000–)	Plate – Hose Support	1
12	74162	(000000–)	Motor, Hyd Gear In 19.0 (See Breakdowns)	1
13	19583	(000000–)	Scr Soc .50–13X1.50	4
14	42223	(000000–)	Ftg–Hyd Str Jm10/Om12	2
15	55586	(000000–)	Ftg–Hyd Str Jm04/Om04	1
16	53601	(000000–)	Cylinder, Hyd 2.0B 08.0S 2500	1
17	56820	(000000–)	Ftg–Hyd E90 Jm06/Om06	1
18	47522	(000000–)	Ftg–Hyd E45 Jm06/Om06	1
▽ 19	84597	(000000–)	Tire & Wheel Assy	1
▲ 20	84596	(000000–)	Tire, Solid, 18X6X12.125	1
21	82832	(000000–)	Sleeve, Nyl	1
22	64886	(000000–)	Balljoint, Rod End	1
23	64887	(000000–)	Balljoint, Rod End	1
24	24339	(000000–)	Nut Wheel .50–20 60 Angle	5

Fig. 30 – Front Wheels and Brakes Group

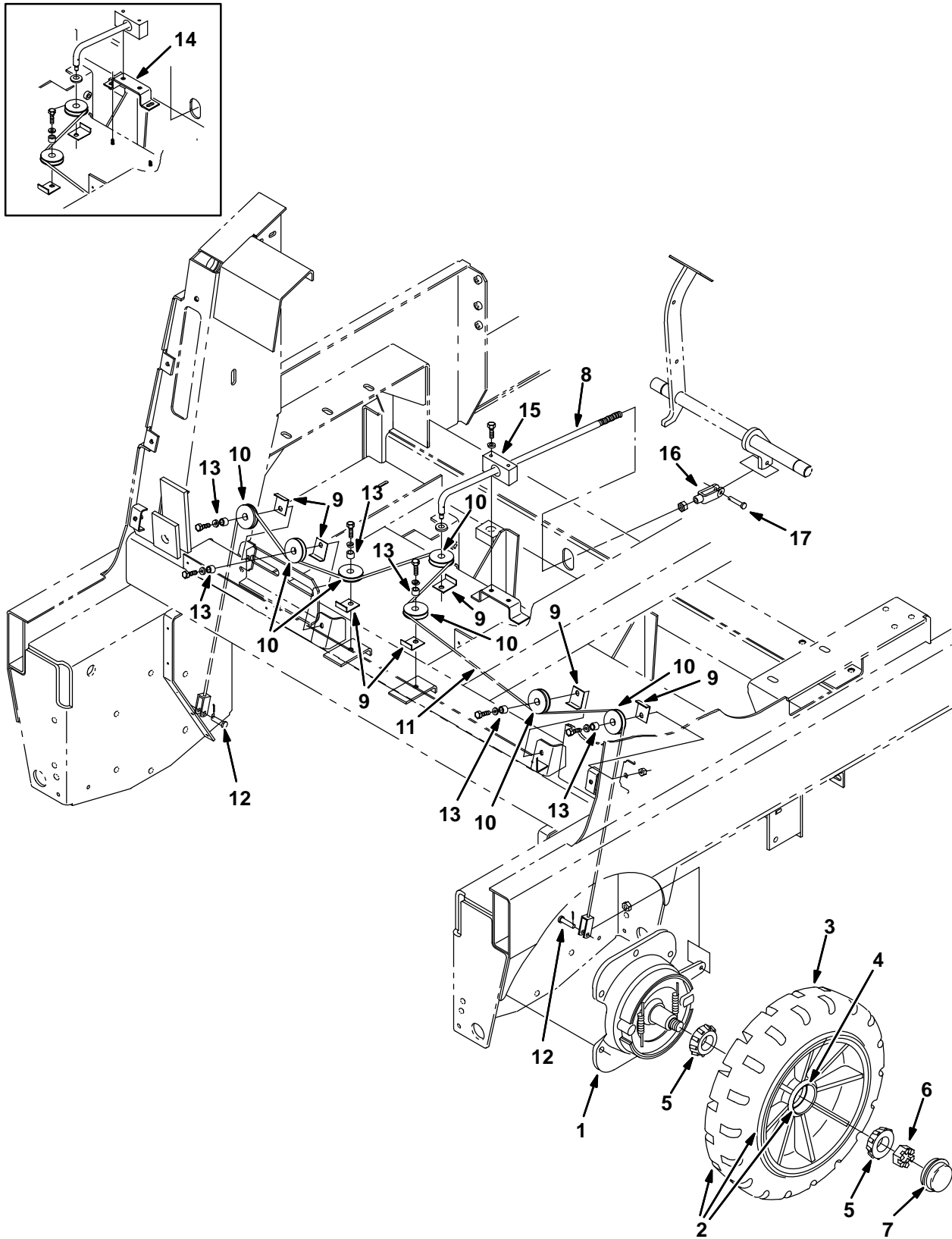


Fig. 30 – Front Wheels and Brakes Group

Ref.	TENNANT Part No.	Machine Serial Number	Description	Qty.
▽ 1	54577	(000000–)	Brake Assy	2
▲	66211	(000000–)	Brake Shoes	2
▲▽	66213	(000000–)	Brake Repair Kit KN	1
▲▲	70161	(000000–)	Crome Pltd. Camshaft KN	1
▲	70158	(000000–)	Return Spring–Brakes KN	2
▽ 2	54437	(000000–)	Wheel Assy	2
▲ 3	54567	(000000–)	Tire, 18X5X12.12 Solid	1
▲ 4	51338	(000000–)	Bearing–Cup, 2.56Dia 0.55Wth	2
5	51339	(000000–)	Bearing–Cone, 1.38Bore 0.71Wth	4
6	14242	(000000–)	Nut–Hxslot 1.00–20 Pltd	2
7	54390	(000000–)	Cap, Hub	2
8	72735	(000000–)	Rod, Brake	1
9	54400	(000000–)	Angle, Cable Keeper	7
10	74391	(000000–)	Pulley Assy, Cable, 1.5 Dia	7
11	72734	(000000–)	Cable, Brake, Service	1
12	09088	(000000–)	Pin,Clevis,0.37 Dia.X 1.00 Lg	2
13	56624	(000000–)	Spacer, Pulley	6
14	72716	(000000– 010274)	Bracket, Support	1
15	86751	(000000–)	Bearing, Brake	1
16	54467	(000000–)	Clevis, Adjustable	1
17	86240	(000000–)	Pin Clevis .375 Dia X 1.13 Lg	1

Fig. 31 – Brake Pedals Group

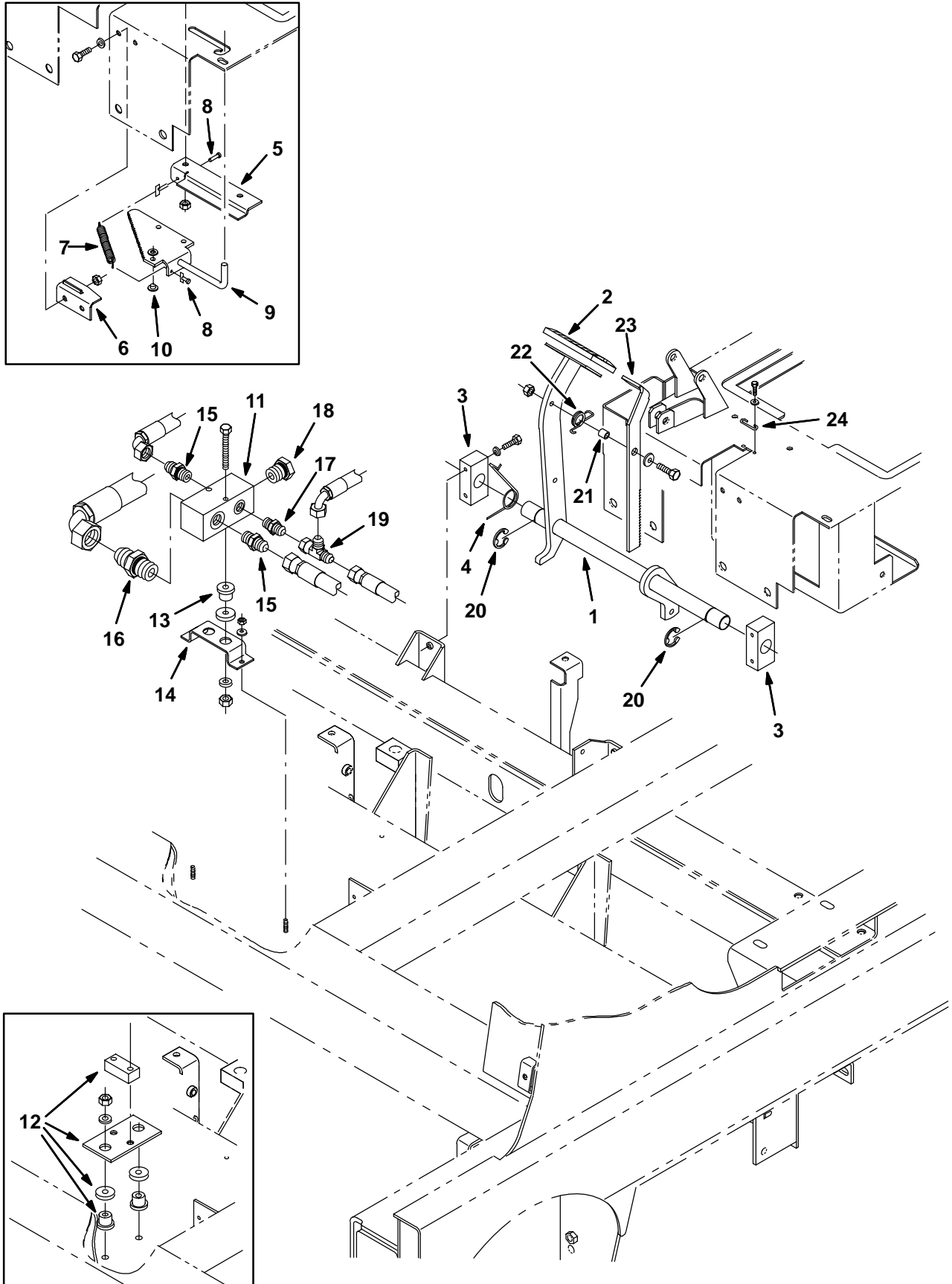


Fig. 31 – Brake Pedals Group

Ref.	TENNANT Part No.	Machine Serial Number	Description	Qty.
1	22727	(000000–)	Shaft Wldt, Brake	1
2	51109	(000000–)	Pad	1
3	86751	(000000–)	Bearing, Brake	2
4	54607	(000000–)	Spring, Torsion	1
5	72766	(000000– 010461)	Bracket	1
6	72830	(000000– 010461)	Plate Wldt	1
7	50304	(000000– 010461)	Spring, Ext.	1
8	36376	(000000– 010461)	Pin,Clevis, .19 Dia.X .50 Lg	2
9	72182	(000000– 010461)	Brake Wldt, Emergency	1
10	77284	(000000– 010461)	Rivet, Snap–.320D Plastic	3
11	73108	(000000–)	Manifold, Hyd Collector	1
12	10749	(000000– 010291)	Replacement Kit, Spcr & PH	1
13	54274	(000000–)	Isolator–Vibration,125Lb.Ratng	2
14	10740	(010292–)	Bracket, Support	1
15	44869	(000000–)	Ftg–Hyd Str Jm08/Om08	2
16	67310	(000000–)	Fitting–Hyd Str	1
17	55685	(000000–)	Ftg–Hyd Str Jm04/Om06	1
18	33817	(000000–)	Ftg–Hyd Plg Om12	1
19	57988	(000000–)	Ftg–Hyd Tee Jm04Jmjf	1
20	23788	(000000–)	Ring, Retain, Ex .98, E–Ring	2
21	46563	(010462–)	Bushing	1
22	59009	(010462–)	Spring	1
23	22731	(010462–)	Pedal Brake Lock	1
24	97031	(010462–)	Spring, Parking Brake	1

Fig. 32 – Directional Pedal Group

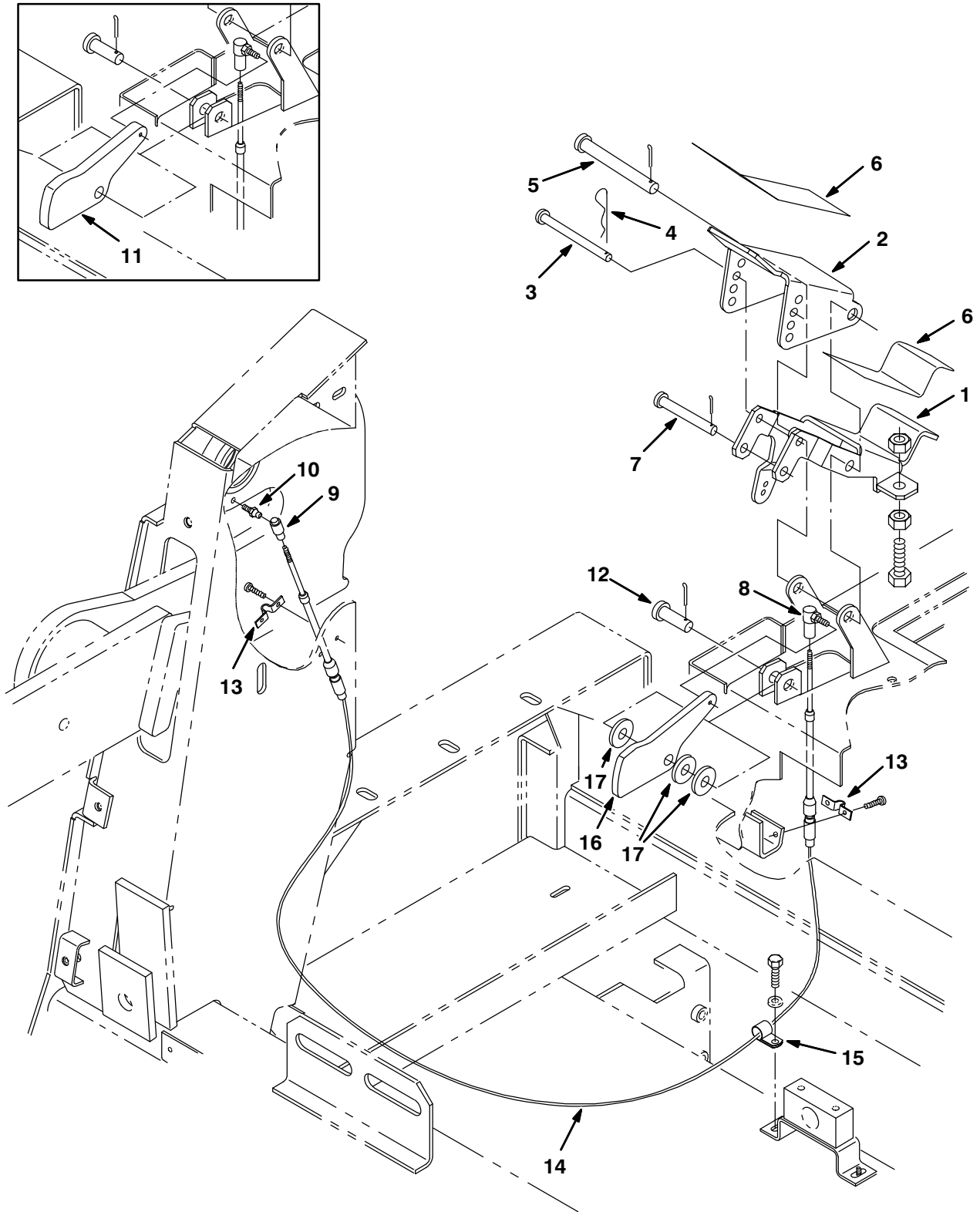


Fig. 32 – Directional Pedal Group

Ref.	TENNANT Part No.	Machine Serial Number	Description	Qty.
1	72732	(000000–)	Pedal Wldt, Lower	1
2	75305	(000000–)	Pedal, Upper	1
3	59672	(000000–)	Pin, Clevis .31 Dia X 4.50 Lg	1
4	97163	(000000–)	Pin, Hair Cotter 13D 3 Wire	1
5	59668	(000000–)	Pin, Clevis .50 Dia X 4.50 Lg	1
6	82839	(000000–)	Pad, Tread	2
7	23191	(000000–)	Pin, Clevis, 0.37 Dia. X 3.00 Lg	1
8	14506–1	(000000–)	Ball Joint, 10–32	1
9	72947	(000000–)	Balljoint 10–32 Body Clip	1
10	72948	(000000–)	Balljoint 10–32 Ball Stud	1
11	10604	(000000– 010438)	Repl. Kit, Cam	1
12	04733–7	(000000–)	Pin Clevis 0.50 Dia X 1.50 Lg	1
13	72949	(000000–)	Clamp–Conduit, 2 Hole .38Dia	2
14	72882	(000000–)	Cable, Push/Pull	1
15	76736	(000000–)	Clamp–Cable, 0.38Dia 0.62Wth	1
16	10603	(010439–)	Cam, Speed Limiter	1
17	32493	(010439–)	Washer, Flat	1

Fig. 33 – Directional Control Group

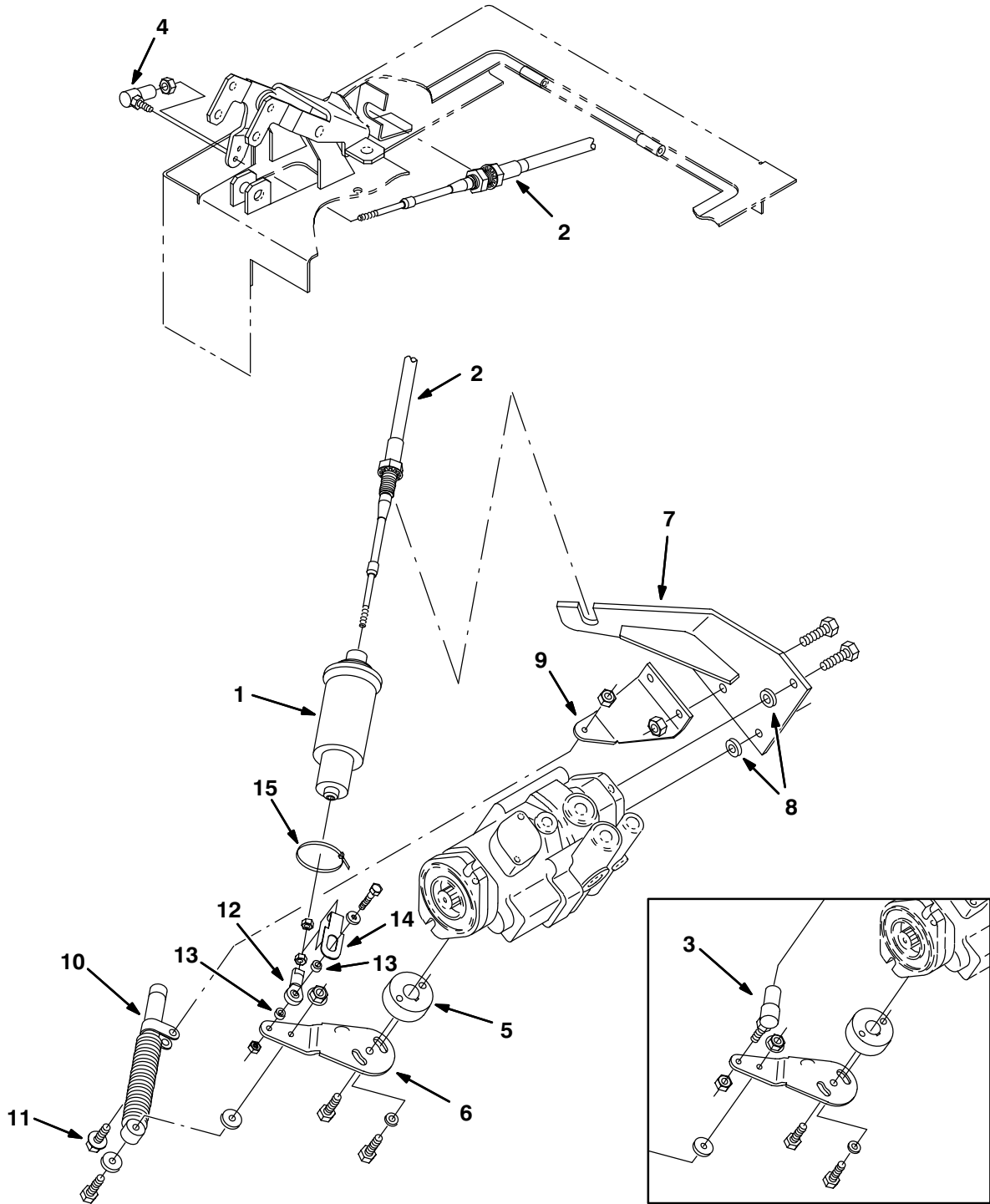


Fig. 33 – Directional Control Group

Ref.	TENNANT Part No.	Machine Serial Number	Description	Qty.
1	63292	(000000–)	Spring, Propel, Centering	1
2	10539	(000000–)	Replacement Kit, Propel Cabel	1
3	83881	(000000– 010656)	Replacement Kit, Propel Rod End	1
4	14601	(000000–)	Ball Joint, 250–28	1
5	72728	(000000–)	Hub	1
6	72729	(000000–)	Arm	1
7	73437	(000000–)	Bracket, Propel	1
8	32492	(000000–)	Washer Flt .38 Hard	2
9	73423	(000000–)	Bracket, Shock	1
10	73411	(000000–)	Shock Absorber	2
11	16213	(000000–)	Scr–Shld .312Dx1.00L .25–20	1
12	68866	(010657–)	Rod End .250–28	1
13	65441	(010657–)	Spacer, .259ID .375OD .250 Lg	3
14	83887	(010657–)	Bracket, Safety Clip	1
15	49266	(010657–)	Tie, Cable 1.75D 7.5Lg	1

Fig. 34 – Hydraulic Pumps Group

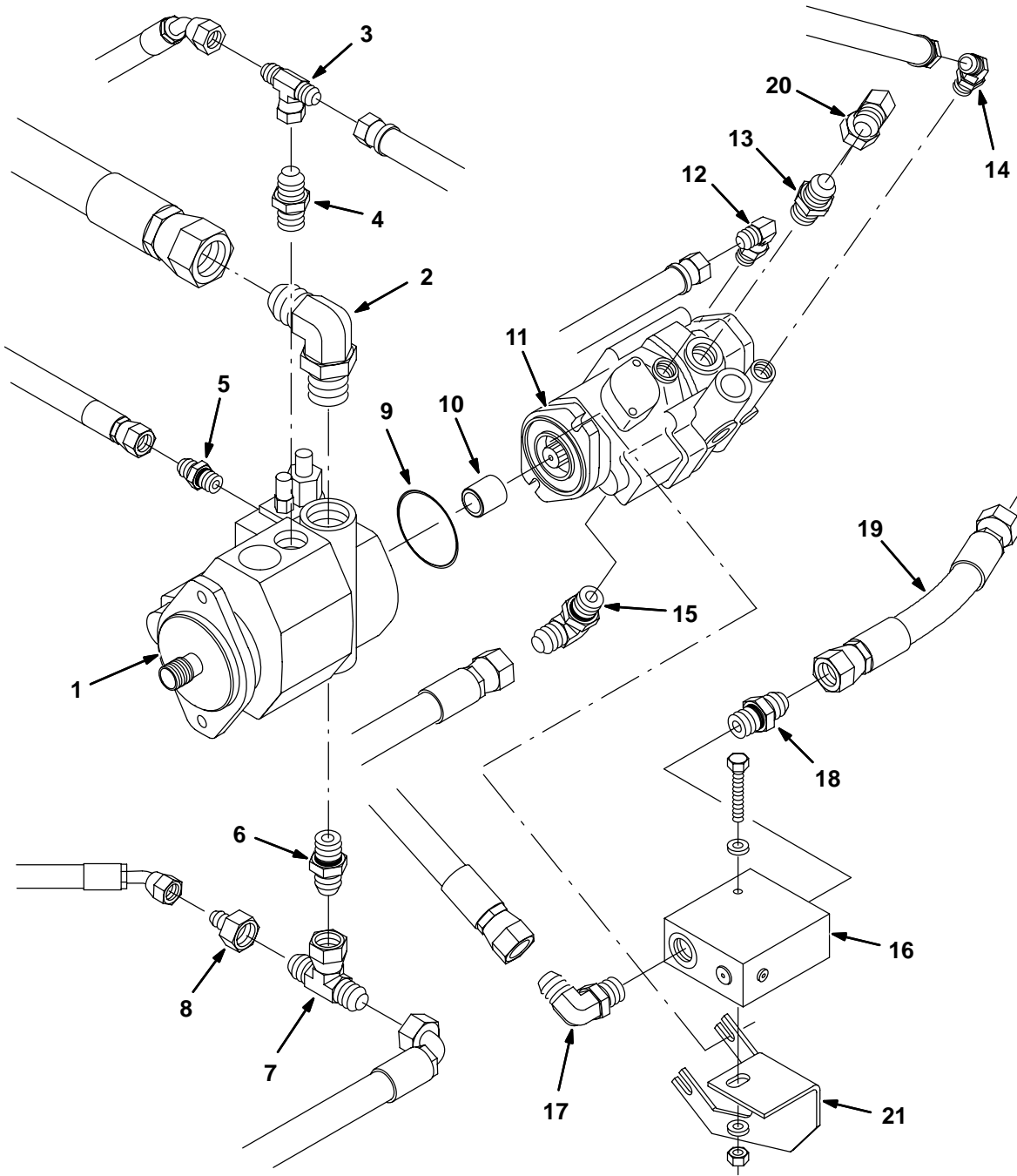


Fig. 34 – Hydraulic Pumps Group

Ref.	TENNANT Part No.	Machine Serial Number	Description	Qty.
1	73101	(000000–)	Pump, Hyd Piston L 2.77 R 2500 (See Breakdowns)	1
2	73109	(000000–)	Fitting–Hyd	1
3	76315	(000000–)	Ftg–Hyd Tee Jm08Jfjm	1
4	56835	(000000–)	Ftg–Hyd Str Jm08/Om06	1
5	50960	(000000–)	Ftg–Hyd Str Jm06/Om04	1
6	67310	(000000–)	Fitting–Hyd Str	1
7	62389	(000000–)	Ftg–Hyd Tee Jm12Jfjm	1
8	78143	(000000–)	Ftg–Hyd Str Jm08/Jf12	1
9	65145–1	(000000–)	O–Ring Gland	1
10	73111	(000000–)	Coupler	1
11	70181	(000000–010241)	Replacement Kit, Pump for 73102 (See Breakdowns)	1
11	79770	(010242–)	Pump, Hyd Piston V 1.24 R 4000 (See Breakdowns)	1
12	42213	(000000–)	Ftg–Hyd E90 Jm08/Om06	1
13	42223	(000000–)	Ftg–Hyd Str Jm10/Om12	1
14	42226	(000000–)	Ftg–Hyd E45 Jm08/Om08	1
15	53076	(000000–)	Ftg–Hyd E90 Jm10/Om12	1
16	73430	(000000–)	Switch, Hyd Flow Sensor (See Breakdowns)	1
17	53076	(000000–)	Ftg–Hyd E90 Jm10/Om12	1
18	42223	(000000–)	Ftg–Hyd Str Jm10/Om12	1
19	73107	(000000–)	Tube–Hyd 10	1
20	54194	(000000–)	Ftg–Hyd E90 Jm10/Jf10	1
21	77239	(000000–)	Bracket, Mounting, Flow Switch	1

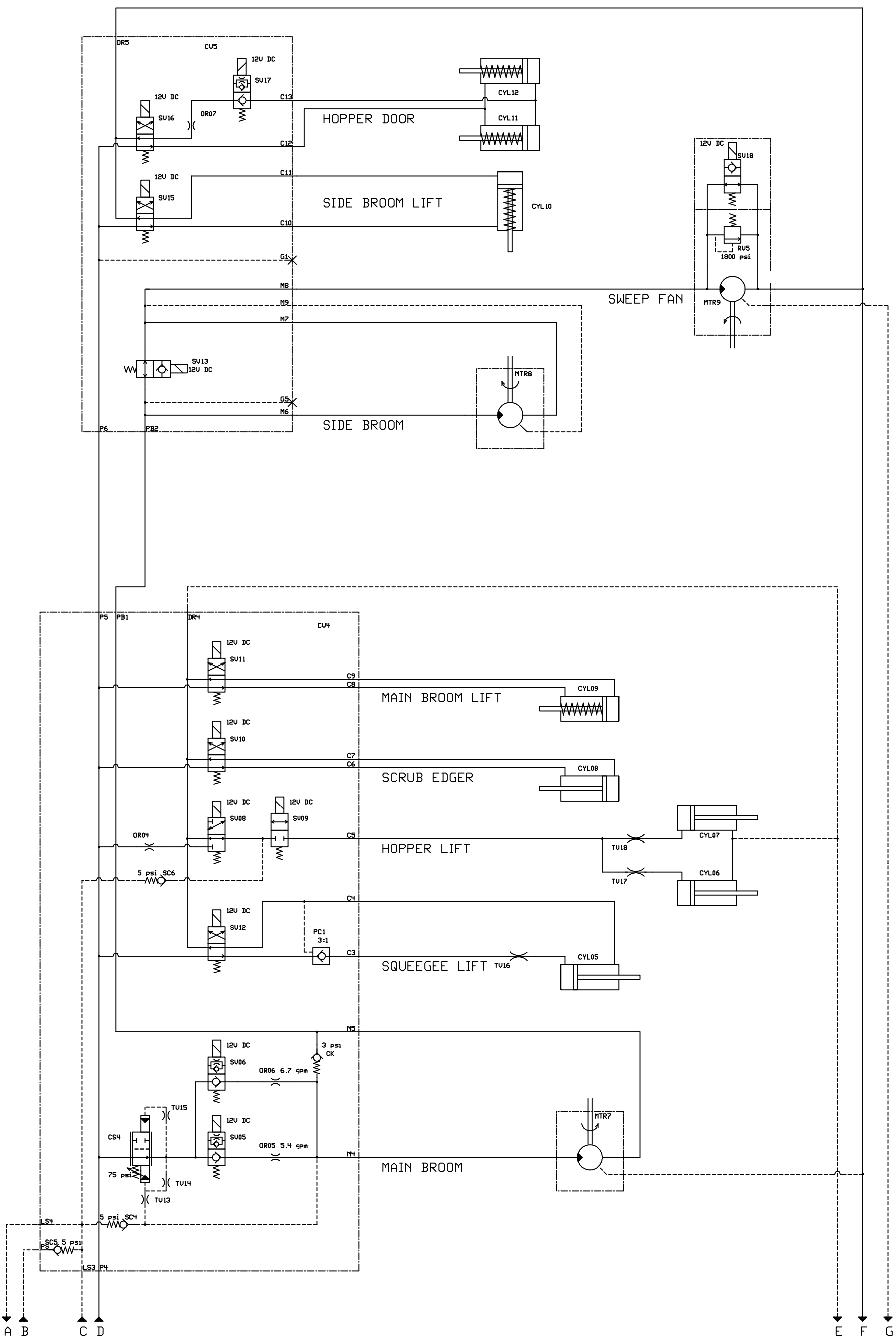


Fig. 35 - Hydraulic Schematic

Fig. 35 - Hydraulic Schematic

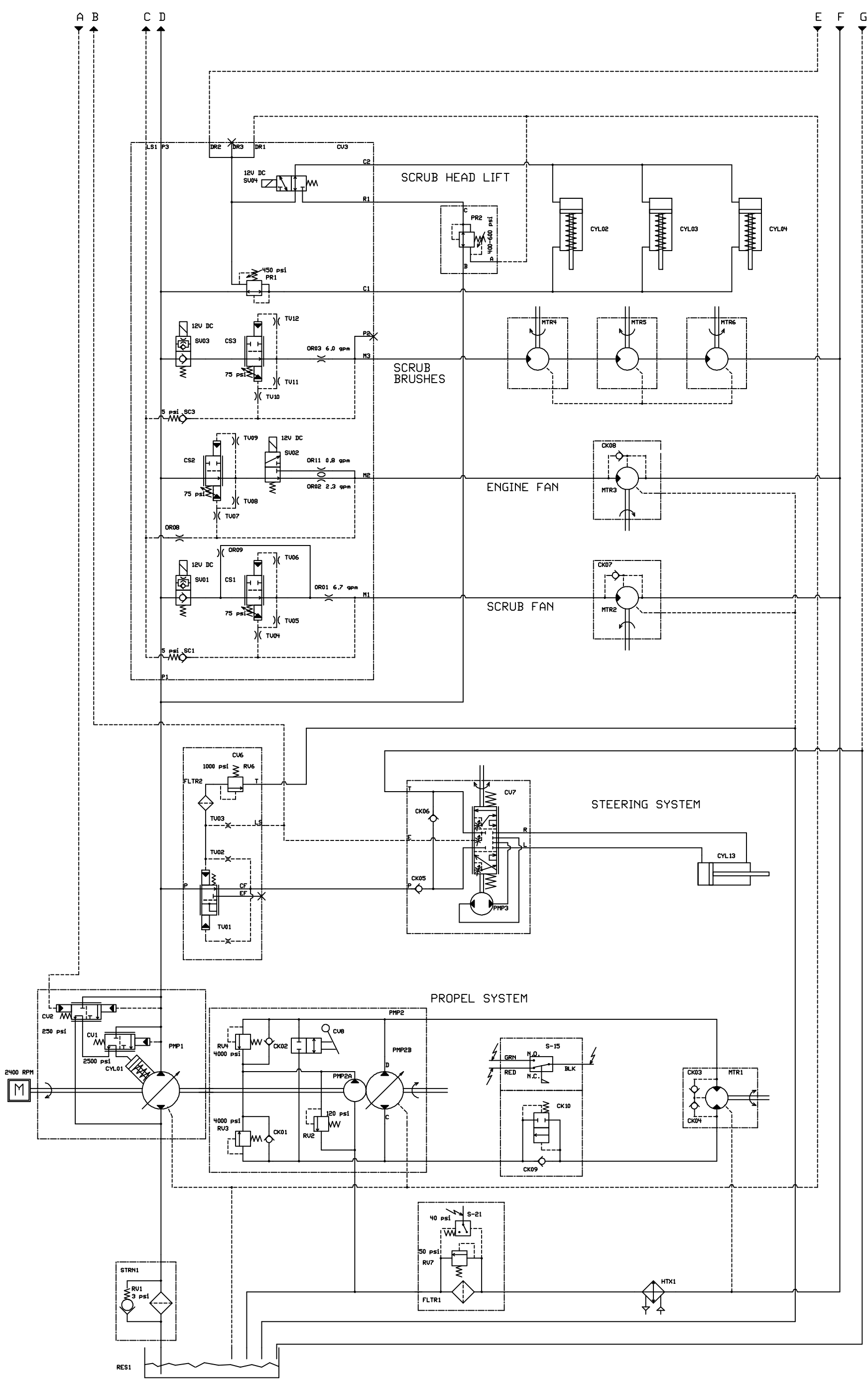


Fig. 36 - Hydraulic Hose Group

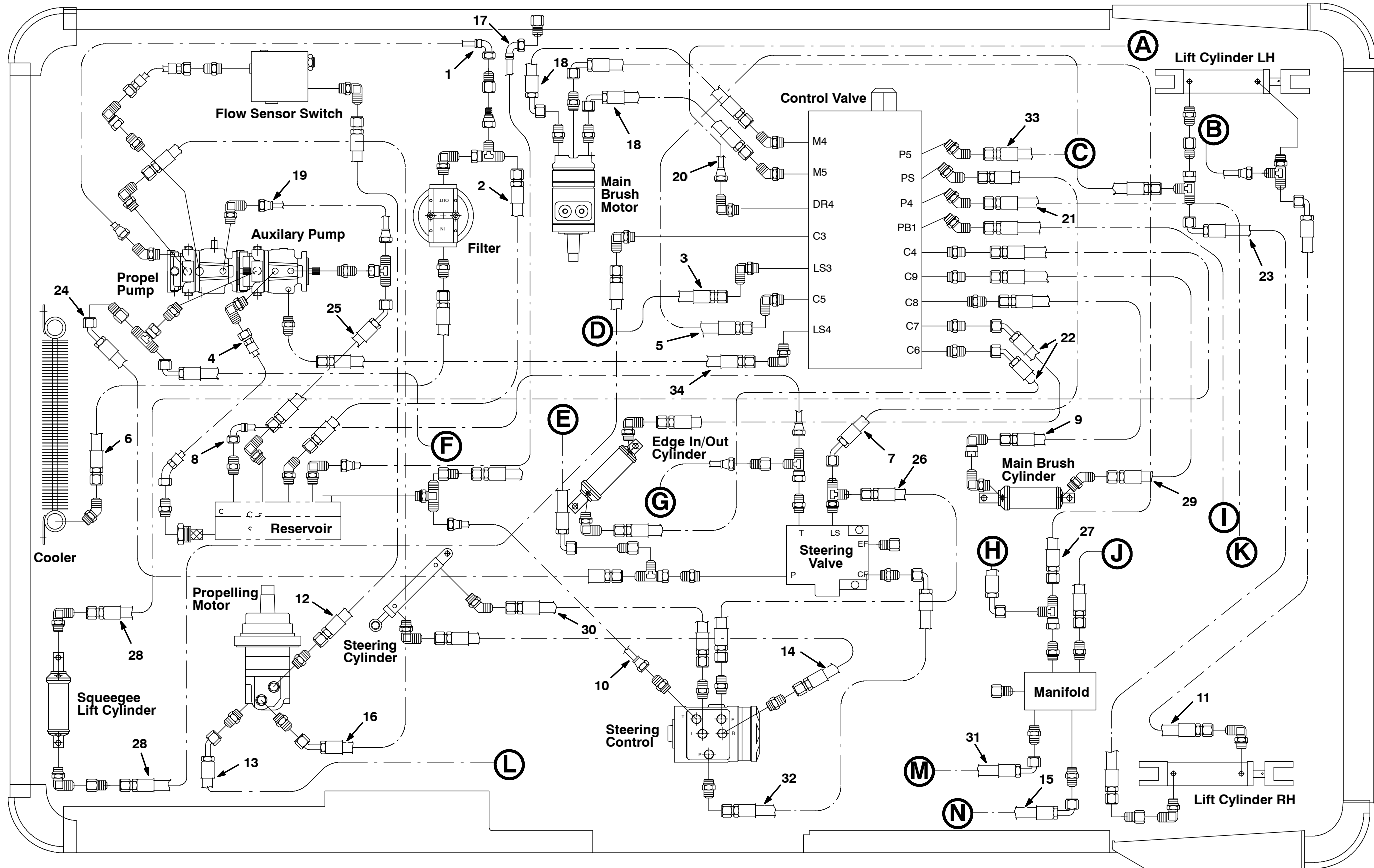


Fig. 36 - Hydraulic Hose Group

Ref.	TENNANT Part No.	Machine Serial Number	Description	Qty.
1	78811	(000000-) Hose, Hyd Low08	1
2	77316	(000000-) Hose-Hyd Med16	1
3	77307	(000000-) Hose-Hyd Med04	1
4	77312	(000000-) Hose-Hyd Suc20	1
5	77308	(000000-) Hose-Hyd Med04	1
6	78777	(000000-) Hose-Hyd Med16 Jf/Jf	1
7	77305	(000000-) Hose-Hyd Med04	1
8	77309	(000000-) Hose-Hyd Low06	1
9	77306	(000000-) Hose-Hyd Med04	1
10	76762	(000000-) Hose-Hyd Low06 Jf/Jf	1
11	77303	(000000-) Hose-Hyd Med04	1
12	77314	(000000-) Hose-Hyd Ar 10	1
13	19644	(000000-) Hose-Hyd Med04 Jf/J4	1
14	77304	(000000-) Hose-Hyd Med06	1
15	78776	(000000-) Hose-Hyd Med12 Jf/J9	1
16	77315	(000000-) Hose-Hyd Ar 10	1
17	57974	(000000-) Hose-Hyd Low08 Jf/J9	1
18	34355	(000000-) Hose-Hyd Med08 Jf/J9	2
19	13115	(000000-) Hose-Hyd Low08 Jf/Jf	1
20	31602	(000000-) Hose-Hyd Low04 Jf/J9	1
21	82844	(000000-) Hose-Hyd Med08 Jf/J9	1
22	02361	(000000-) Hose-Hyd Med04 Jf/J4	2
23	87681	(000000-) Hose-Hyd Med 04 Jf/J9	1
24	16462	(000000-) Hose-Hyd Med08 Jf/J4	1
25	77338	(000000-) Hose-Hyd Med08 Jf/J4	1
26	55700	(000000-) Hose-Hyd Med04 Jf/Jf	1
27	82817	(000000-) Hose-Hyd Med04 Jf/J9	1
28	82815	(000000-) Hose-Hyd Med04 Jf/Jf	2
29	31568	(000000-) Hose-Hyd Med04 Jf/Jf	1
30	62100	(000000-) Hose-Hyd Med06 Jf/Jf	1
31	02676	(000000-) Hose-Hyd	1
32	57944	(000000-) Hose-Hyd Med06 Jf/J9	1
33	01988	(000000-) Hose Hyd Med04	1
34	79449	(000000-) Hose-Hyd Med06 Jf/Jf	1

Fig. 37 - Hydraulic Hose Group

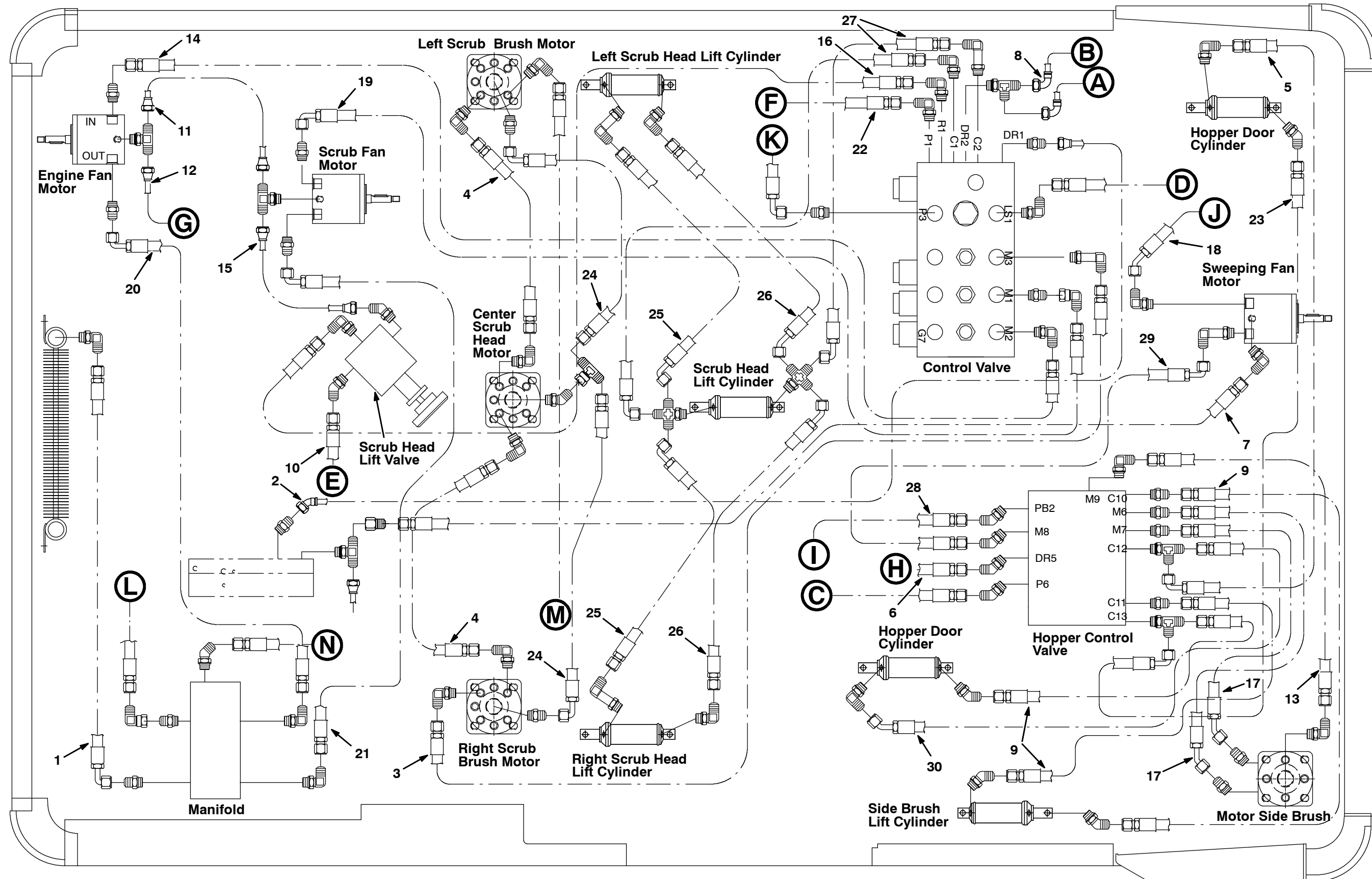


Fig. 37 - Hydraulic Hose Group

Ref.	TENNANT Part No.	Machine Serial Number	Description	Qty.
1	78780	(000000-) Hose-Hyd Med16 Jf/J9	1
2	77311	(000000-) Hose-Hyd Low06	1
3	77301	(000000-) Hose-Hyd Med08	1
4	77302	(000000-) Hose-Hyd Med08	2
5	77359	(000000-) Hose-Hyd Med04 Jf/J9	1
6	87652	(000000-) Hose-Hyd Med 04 Jf/J9	1
7	57966	(000000-) Hose-Hyd Med04 Jf/Jf	1
8	31602	(000000-) Hose-Hyd Low04 Jf/J9	1
9	82814	(000000-) Hose-Hyd Med04 Jf/Jf	3
10	87681	(000000-) Hose-Hyd Med 04 Jf/J9	1
11	16465	(000000-) Hose-Hyd Low04 Jf/Jf	1
12	78779	(000000-) Hose-Hyd Low04 Jf/Jf	1
13	31568	(000000-) Hose-Hyd Med04 Jf/Jf	1
14	77337	(000000-) Hose-Hyd Med 06	1
15	34368	(000000-) Hose-Hyd Low04 Jf/Jf	1
16	01988	(000000-) Hose Hyd Med04	1
17	57219	(000000-) Hose-Hyd Med08 Jf/J4	2
18	78821	(000000-) Hose-Hyd Med08 Jf/J4	1
19	78810	(000000-) Hose, Hyd Med08	1
20	78781	(000000-) Hose-Hyd Med06 Jf/J9	1
21	78775	(000000-) Hose-Hyd Med08 Jf/J9	1
22	57193	(000000-) Hose-Hyd Hi 12 Jf/J9	1
23	59579	(000000-) Hose-Hyd Med04	1
24	87651	(000000-) Hose-Hyd Med04 Jf/J9	2
25	48617	(000000-) Hose-Hyd Med04 Jf/J9	2
26	57972	(000000-) Hose-Hyd Med04	2
27	57963	(000000-) Hose-Hyd Med04	2
28	57160	(000000-) Hose-Hyd Med08 Jf/Jf	1
29	78820	(000000-) Hose-Hyd Med08 Jf/J9	1
30	57173	(000000-) Hose-Hyd Med04 Jf/J4	1

Fig. 38 - Hydraulic Reservoir Group

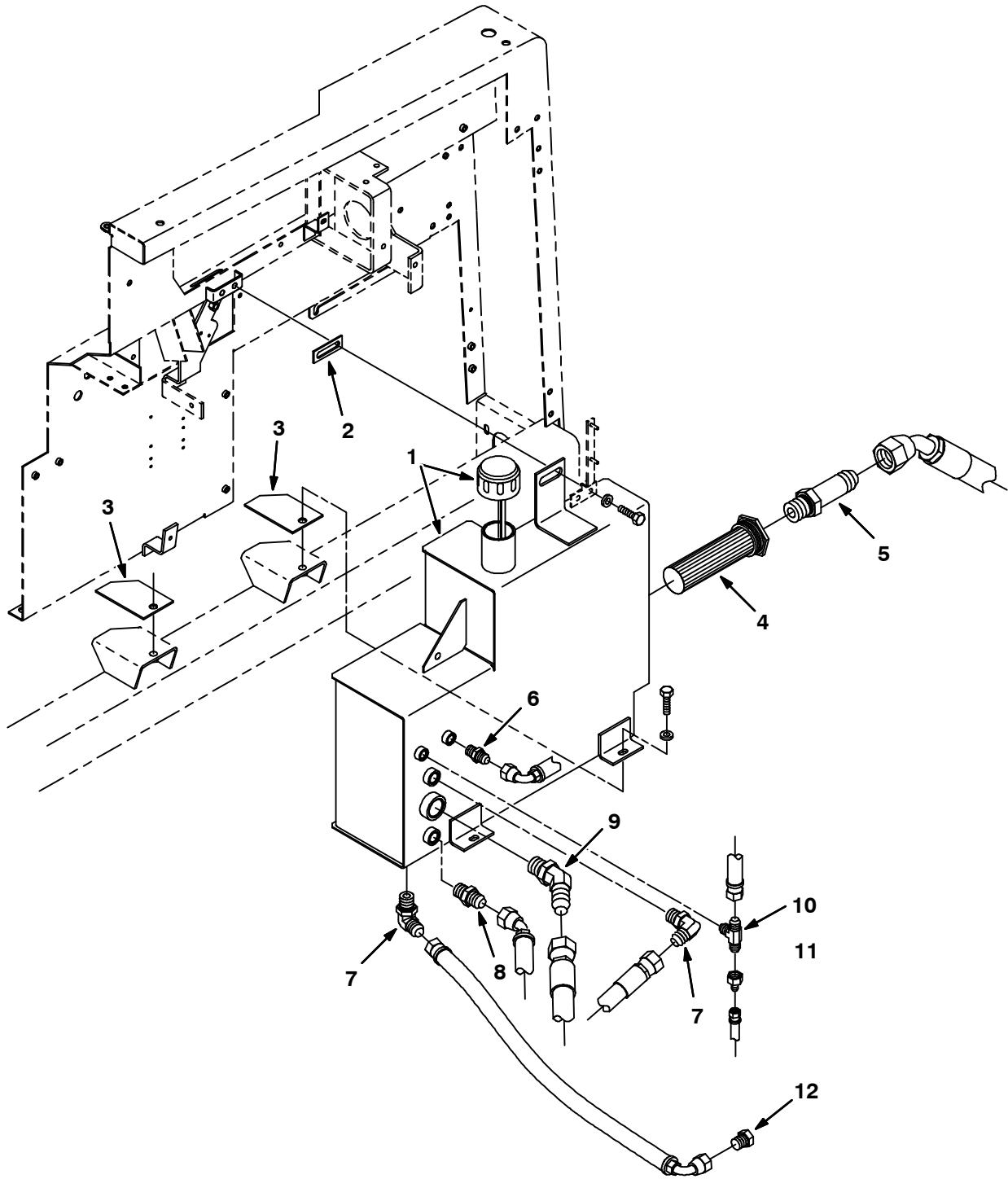


Fig. 38 - Hydraulic Reservoir Group

Ref.	TENNANT Part No.	Machine Serial Number	Description	Qty.
∇ 1	77361	(000000-) Reservoir, Hyd 08.0 Gal	1
▲∇	78730	(000000-) Breather, Hyd Cap 40 Mic 8.5 DS	1
▲▲	70006	(000000-) Hyd Cap Gasket	1
2	78744	(000000-) Pad, Hyd Tank, Upper	1
3	78743	(000000-) Pad, Hyd Tank, Lower	2
4	31613	(000000-) Strainer-Hyd Suction 25-100-03	1
5	19458	(000000-) Ftg-Hyd Str	1
6	56690	(000000-) Ftg-Hyd Str Jm06/Om06	1
7	44868	(000000-) Ftg-Hyd E90 Jm08/Om08	2
8	52402	(000000-) Ftg-Hyd Str Jm06/Om08	1
9	57479	(000000-) Ftg-Hyd E45	1
10	67683	(000000-) Ftg-Hyd Tee Jm06Omjm	1
11	47752	(000000-) Ftg-Hyd Str Jm04/Jf06	1
12	16376	(000000-) Ftg-Hyd Plg Jm08	1

Fig. 39 - Main Hydraulic Valve Group

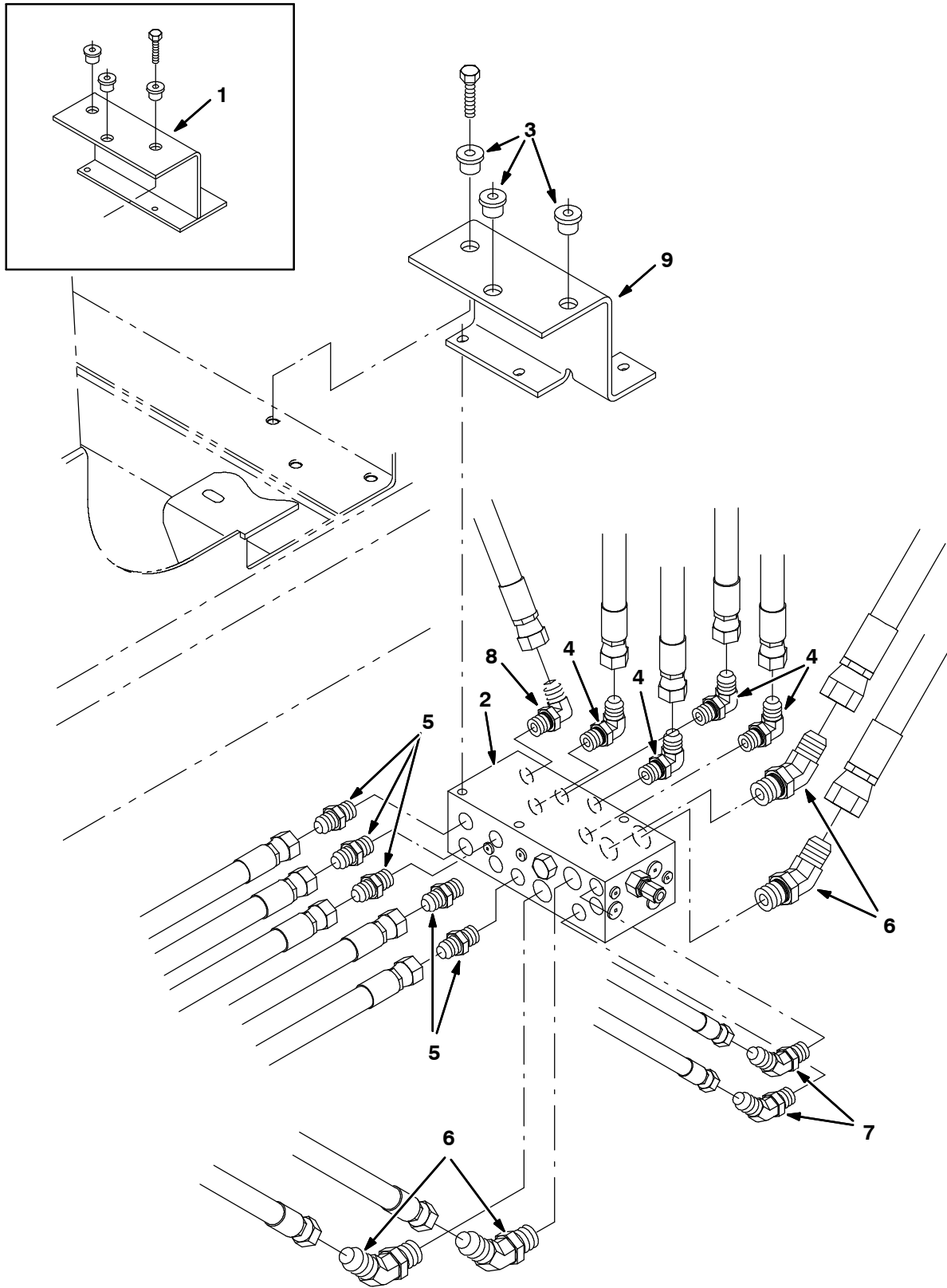


Fig. 39 - Main Hydraulic Valve Group

Ref.	TENNANT Part No.	Machine Serial Number	Description	Qty.
1	72960	(000000-010307)	Bracket Wldt, Mtg, Valve	1
2	73103	(000000-)	Valve, Hyd Control Sol (See Breakdowns)	1
3	54274	(000000-)	Isolator-Vibration,125Lb.Ratng	3
4	77097	(000000-)	Ftg-Hyd E90 Jm04/Om04	4
5	55586	(000000-)	Ftg-Hyd Str Jm04/Om04	5
6	42226	(000000-)	Ftg-Hyd E45 Jm08/Om08	4
7	34359	(000000-)	Ftg-Hyd E45 Jm04/Om04	2
8	77098	(000000-)	Ftg-Hyd E90 Jm06/Om04	1
9	10618	(010308-)	Bracket Wldt, Mtg, Valve	1

Fig. 40 - Side Brush Lift Group

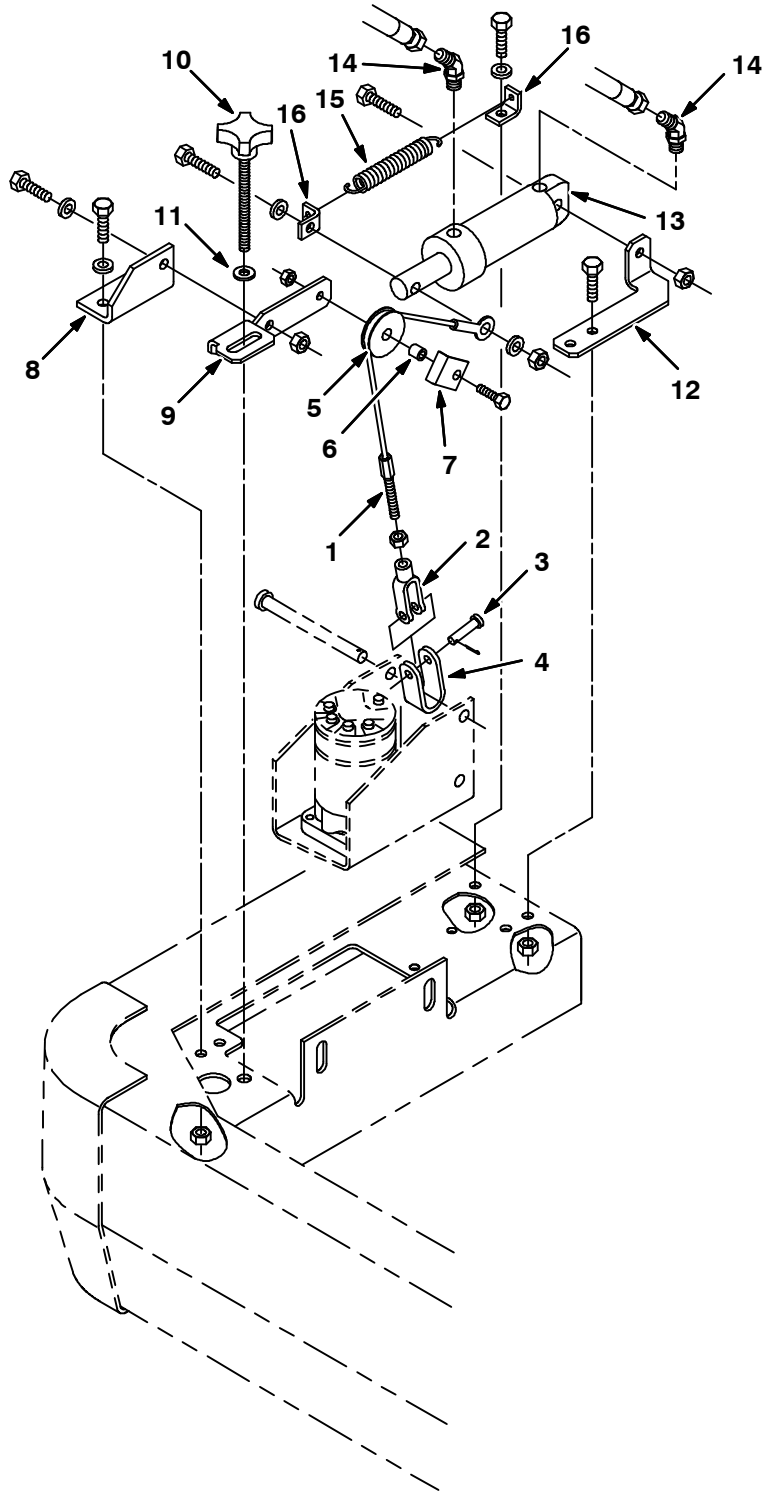


Fig. 40 - Side Brush Lift Group

Ref.	TENNANT Part No.	Machine Serial Number	Description	Qty.
1	77335	(000000-) Cable, Lift, Side Brush	1
2	12267	(000000-) Yoke, End-Adjustable	1
3	29558	(000000-) Pin,Clevis,0.37 Dia.X 1.50 Lg	1
4	59899	(000000-) Bracket, Side Brush	1
5	74391	(000000-) Pulley Assy, Cable, 1.5 Dia	1
6	56624	(000000-) Spacer, Pulley	1
7	54400	(000000-) Angle, Cable Keeper	1
8	72743	(000000-) Bracket, Support, Pulley	1
9	72740	(000000-) Bracket, Adjustment, Sidebrush	1
10	54848	(000000-) Knob, Adjusting	1
11	52296	(000000-) Washer,Nyl,0.405Bx0.812X.060Th	1
12	72741	(000000-) Bracket, Support, Cylinder	1
13	73089	(000000-) Cylinder, Hyd 1.5B 02.8S.2500	1
14	34359	(000000-) Ftg-Hyd E45 Jm04/Om04	2
15	29499	(000000-) Spring, Tens.750Dx.10Wirex4.5	1
16	77336	(000000-) Angle, Retainer, Spring	2

Fig. 41 - Side Brush Motor and Pivot Group

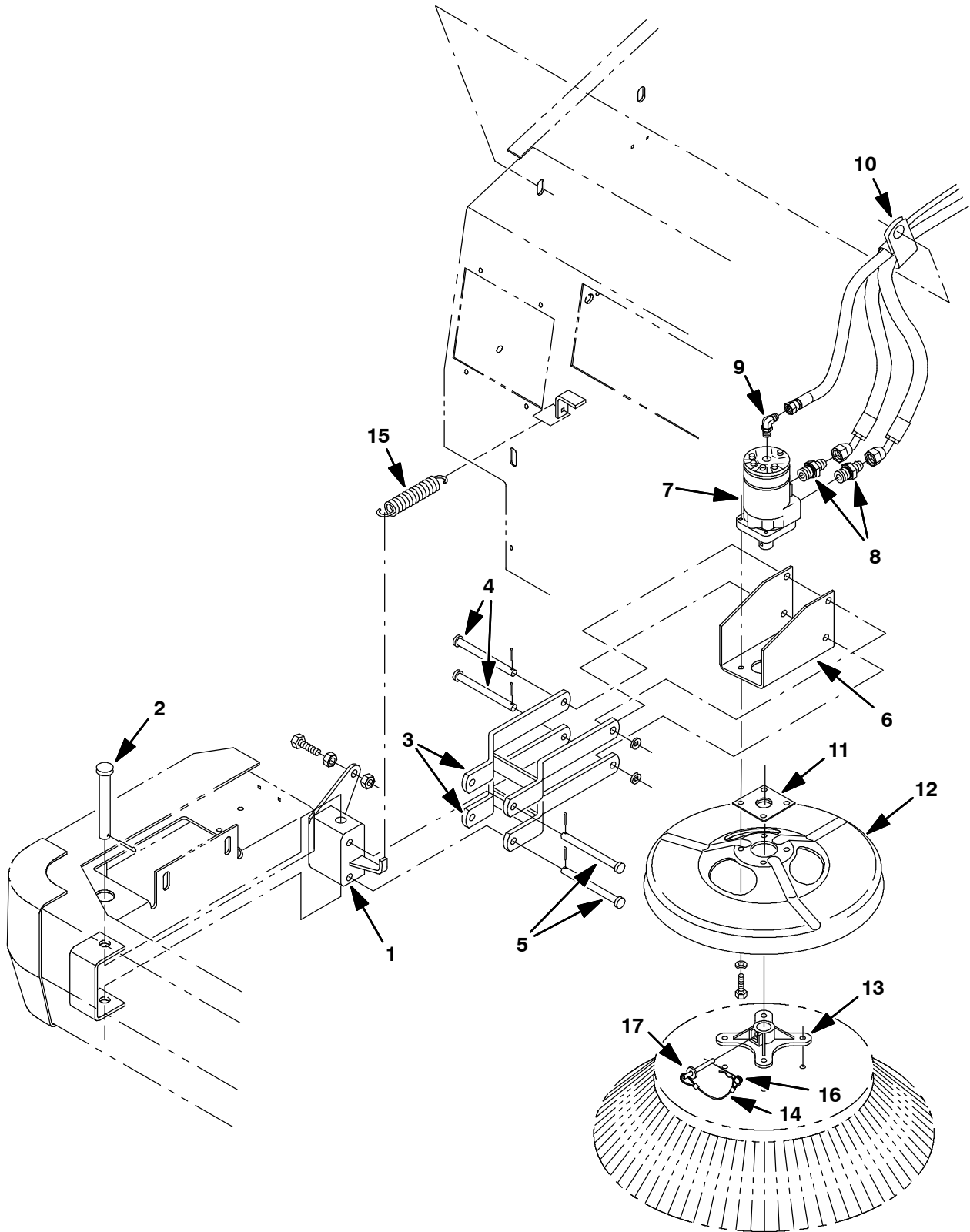


Fig. 41 - Side Brush Motor and Pivot Group

Ref.	TENNANT Part No.	Machine Serial Number	Description	Qty.
1	54050	(000000-) Pivot Assy, S Br	1
2	54660	(000000-) Pin, Clevis .75 Diax5.5Lg	1
3	53965	(000000-) Arm, Lift	2
4	51225	(000000-) Pin,Clevis,0.50 Dia.X 5.50 Lg	2
5	51538	(000000-) Pin,Clevis,0.50 Dia.X 5.00 Lg	2
6	71540	(000000-) Bracket, Motor	1
7	53435	(000000-) Motor-Hyd Gear In 11.3 B1500 (See Breakdowns)	1
8	56692	(000000-) Ftg-Hyd Str Jm08/Om10	2
9	77097	(000000-) Ftg-Hyd E90 Jm04/Om04	1
10	53466	(000000-) Clamp, Hose	4
11	16082	(000000-) Guard, String, Brush Motor	1
12	53984	(000000-) Guard, Brush	1
13	47501	(000000-) Hub, Brush Adaptor, 1.00B	1
14	21035	(000000-) Pin Assy, Keeper .312x3.0 W/Lanyard	1
15	47745	(000000-) Sprng,Tens,1.12Odx.14Wire 4.8L	1
16	44906	(000000-) Pin, Haircotter	1
17	32490	(000000-) Washer, Flt	1

Fig. 42 - Main Brush Lift Group

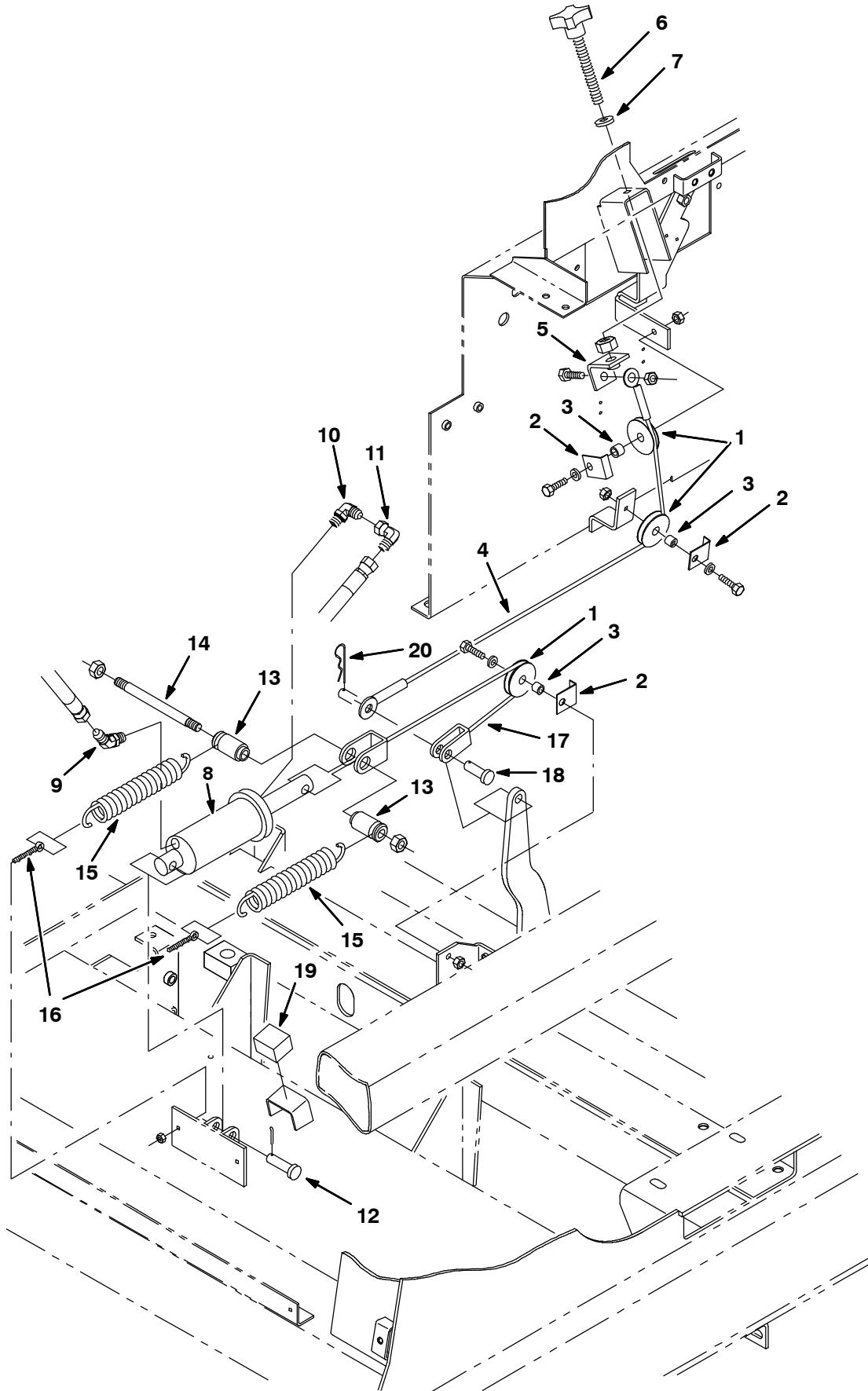


Fig. 42- Main Brush Lift Group

Ref.	TENNANT Part No.	Machine Serial Number	Description	Qty.
1	74391	(000000-) Pulley Assy, Cable, 1.5 Dia	3
2	54400	(000000-) Angle, Cable Keeper	3
3	56624	(000000-) Spacer, Pulley	3
4	73261	(000000-) Cable, Adj, Main Brush	1
5	56662	(000000-) Bracket	1
6	54848	(000000-) Knob, Adjusting	1
7	52296	(000000-) Washer, Nyl, 0.405Bx0.812X.060Th	1
8	54096	(000000-) Cylinder-Hyd 2.0X4.0Da2500Psi	1
9	34359	(000000-) Ftg-Hyd E45 Jm04/Om04	1
10	77097	(000000-) Ftg-Hyd E90 Jm04/Om04	1
11	39210	(000000-) Ftg-Hyd E90 Jm04/Jf04	1
12	43290	(000000-) Pin, Clevis, 0.50 Dia. X 1.75 Lg	1
13	72847	(000000-) Tube, Retainer, Spring	2
14	72848	(000000-) Rod, Threaded, Brush Lift	1
15	33404	(000000-) Spring, Tension	2
16	78944	(000000-) Bolt-Eye, .31-18Th .18B 2.75L	2
17	72849	(000000-) Cable, Brushlift	1
18	75520	(000000-) Pin Clevis 0.50 Dia. X 1.50 Lg	1
19	72858	(000000-) Pad	1
20	08175	(000000-) Pin, Cotter	1

Fig. 43 - Main Brush Drive Group

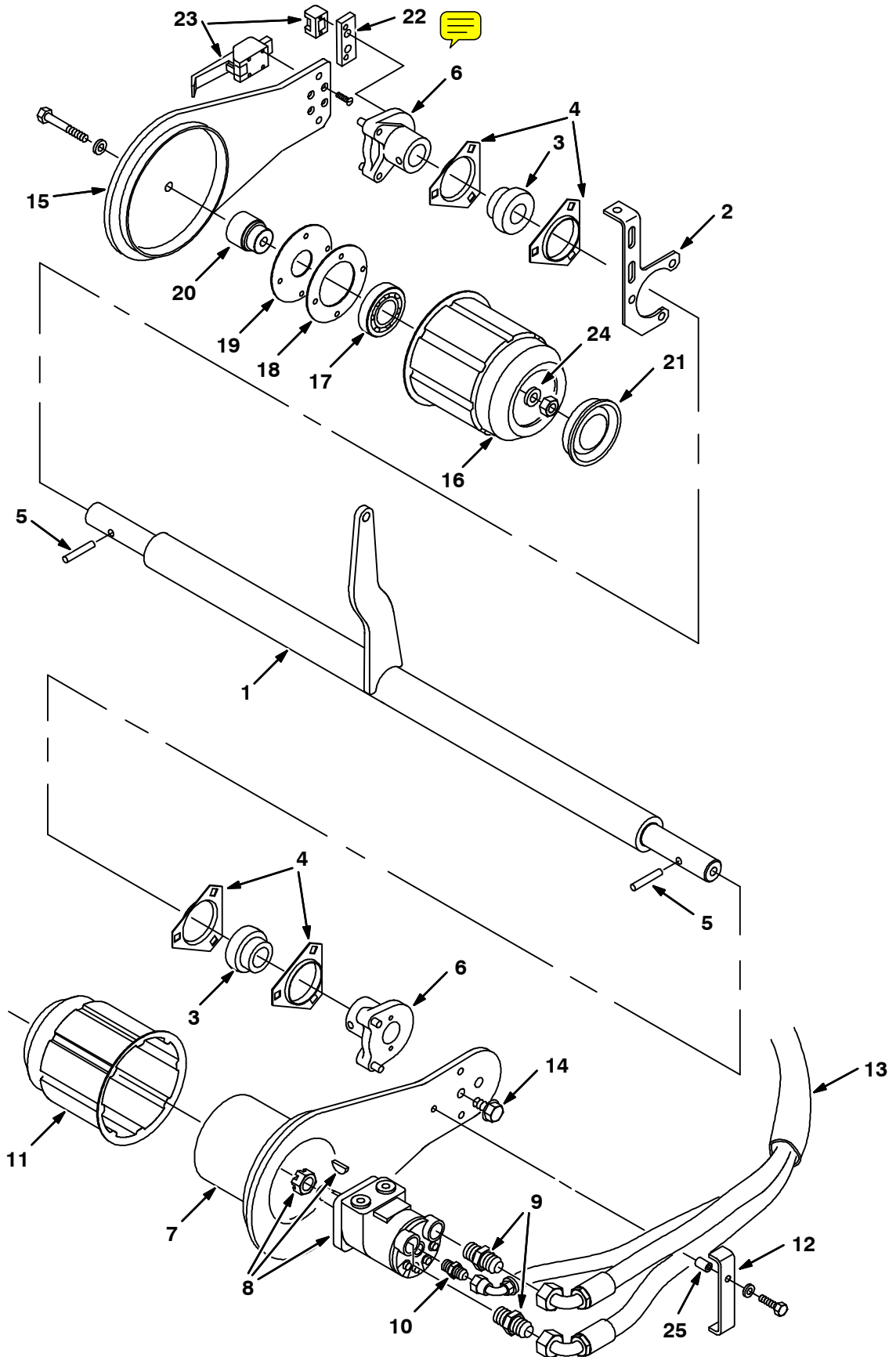


Fig. 43 - Main Brush Drive Group

Ref.	TENNANT Part No.	Machine Serial Number	Description	Qty.
1	73258	(000000-) Shaft Wldt, Main Brush	1
2	72458	(000000-) Plate, Mtg, Main Brush Shaft	1
3	51448	(000000-) Bearing&Clr ,1.25B 2.44D 1.41W	2
4	51449	(000000-) Flange,Brg,3 Hole	4
5	51317	(000000-) Pin,Roll,.38Odx2.00L,.375/.382	2
6	54680	(000000-) Hub Assy, Brush Arm	2
7	13156	(000000-) Arm Wldt, Brush, Drive	1
8	74468	(000000-) Motor, Hyd Gear In 02.8 B 1500 (See Breakdowns)	1
9	44869	(000000-) Ftg-Hyd Str Jm08/Om08	2
10	55586	(000000-) Ftg-Hyd Str Jm04/Om04	1
11	87631	(000000-) Plug Weld, Brush Drive, Sweep	1
12	63516	(000000-) Bracket, Hose	1
13	82832	(000000-) Sleeve-Nyln #38 25.0L	1
14	53985	(000000-) Plug Thread 1/2-13	1
15	54659	(000000-) Arm Wldt, Idlerr, W/Brush	1
16	55779	(000000-) Plug Wldt, Idler	1
17	24899	(000000-) Bearing-Ball,1.38B 2.83D 0.67W	1
18	30252	(000000-) Strip Retainer Bearing	1
19	30253	(000000-) Plate Seal	1
20	30251	(000000-) Shaft Idler	1
21	30255	(000000-) Plug Tube	1
22	54204	(000000-) Plate, Mounting, Latch	1
23	54878	(000000-) Latch	1
24	51564	(000000-) Washer, .531B 1.75D .12Cr.Znc	1
25	09900-1	(000000-) Sleeve	1

Fig. 44 - Scrub Brush Frame Group

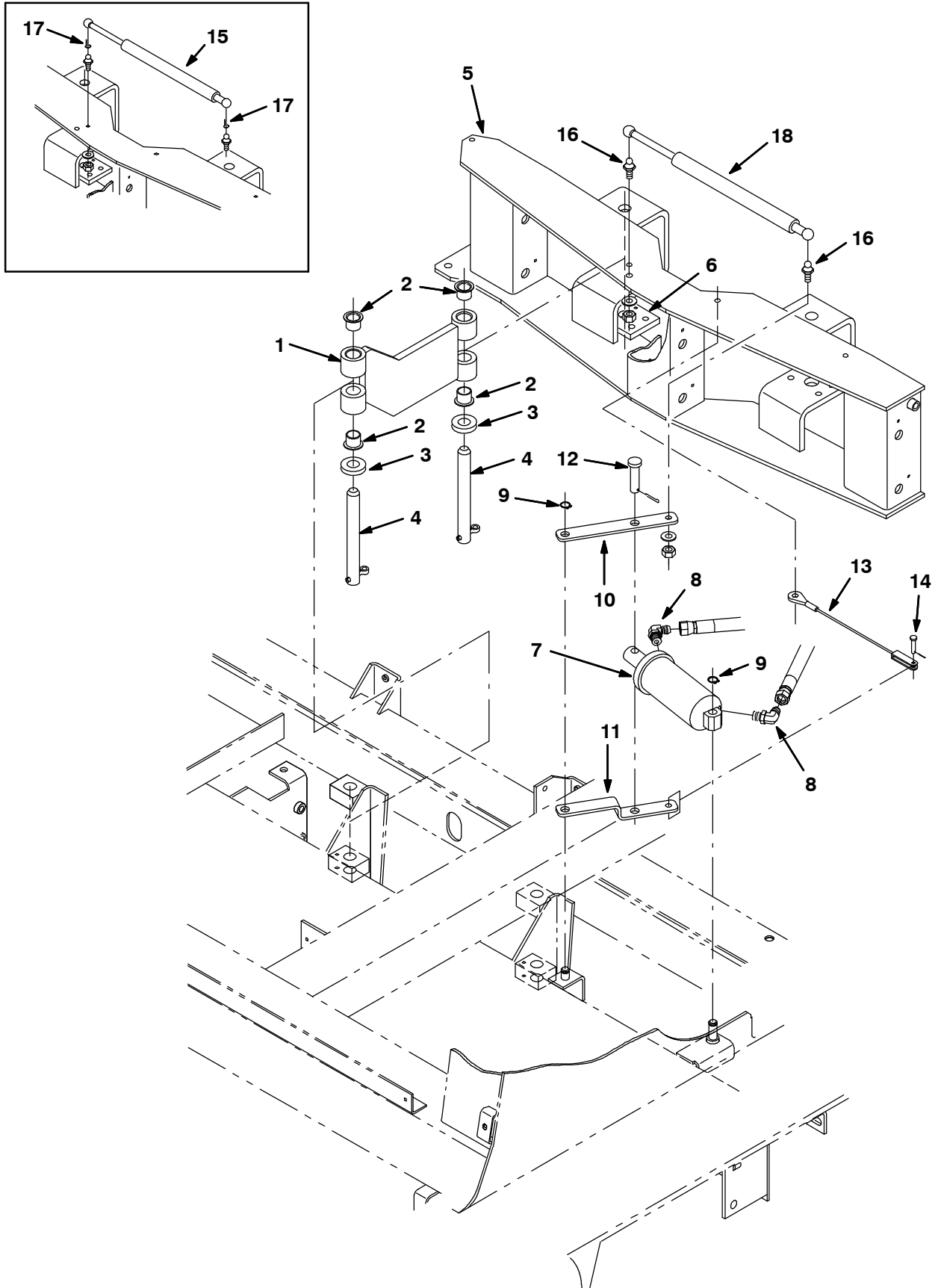


Fig. 44 - Scrub Brush Frame Group

Ref.	TENNANT Part No.	Machine Serial Number	Description	Qty.
1	72599	(000000-)	Link Wldt, Edge Scrubbing	2
2	72763	(000000-)	Bearing, Flange, .750 Bore	8
3	32495	(000000-)	Washer Flt .75 Hard	4
4	72776	(000000-)	Pin, Scrub Head, .75D X 6.812L	4
5	72768	(000000-)	Frame Wldt, Mtg, Brush	1
6	72836	(000000-)	Bar, Adjustment, Pivot	2
7	54096	(000000-)	Cylinder-Hyd2.0X4.0Da2500Psi	1
8	77097	(000000-)	Ftg-Hyd E90 Jm04/Om04	2
9	23524	(000000-)	Ring,Retain,Ex,0.50Od,Selflock	2
10	72622	(000000-)	Lever, Edge Scrubbing	1
11	72623	(000000-)	Lever, Edge Scrubbing	1
12	75520	(000000-)	Pin,Clevis,0.50 Dia.X 1.50 Lg	1
13	72833	(000000-)	Cable	1
14	23786	(000000-)	Pin,Clevis,0.25 Dia.X 0.75 Lg	1
15	10543	(000000-010147)	Replacement Kit, Gas Spring	1
16	58494	(000000-)	Stud, Ball, Gas Spring	2
17	64595	(000000-010147)	Clip Safety	2
18	79376	(010148-)	Spring-Gas 34Lb 6.3 Stroke	1

Fig. 45 - Left Scrub Brush Group

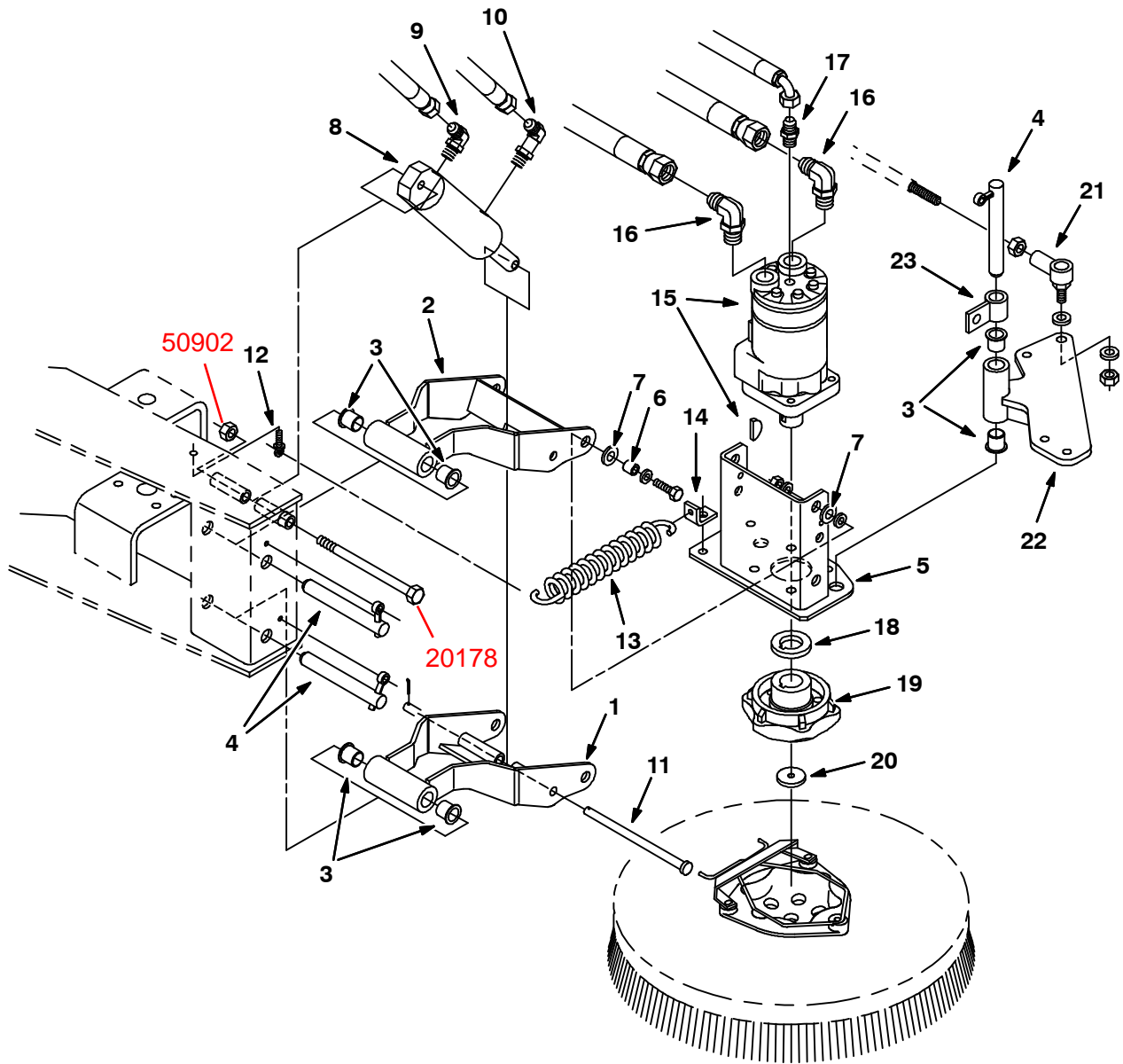


Fig. 45 - Left Scrub Brush Group

Ref.	TENNANT Part No.	Machine Serial Number	Description	Qty.
1	72663	(000000-) Link, Lower	1
2	72773	(000000-) Link Wldt, Upper	1
3	72777	(000000-) Bushing, Flanged, .625 Id	4
4	72775	(000000-) Pin, Scrub Brush, .625D 5.00L	3
5	72839	(000000-) Bracket, Motor	1
6	56624	(000000-) Spacer, Pulley	4
7	86952	(000000-) Washer-Flat .44 Std Nylon	8
8	73089	(000000-) Cylinder, Hyd 1.5B 02.8S.2500	1
9	77097	(000000-) Ftg-Hyd E90 Jm04/Om04	1
10	82825	(000000-) Ftg-Hyd E90 Jm04/Om04	1
11	49924	(000000-) Pin,Clevis,0.37 Dia.X 6.12 Lg	1
12	48079	(000000-) Bolt-Eye, .25-20Th .25B 1.4L	1
13	33404	(000000-) Spring, Tension	1
14	72832	(000000-) Angle, Retainer, Spring	1
15	73090	(000000-) Motor, Hyd Gear In 07.3 B 1500 (See Breakdowns)	1
16	44868	(000000-) Ftg-Hyd E90 Jm08/Om08	2
17	55586	(000000-) Ftg-Hyd Str Jm04/Om04	1
18	25611	(000000-) Spacer Hub	1
19	72625	(000000-) Hub, Brush Drive	1
20	19191	(000000-) Spacer Hub	1
21	05686	(000000-) Rod End M10 X1.5 W/Stud	1
22	72860	(000000-) Arm Wldt, Support, Sqge,Lh	1
23	72842	(000000-) Tube	1

Fig. 46 - Center Scrub Brush Group

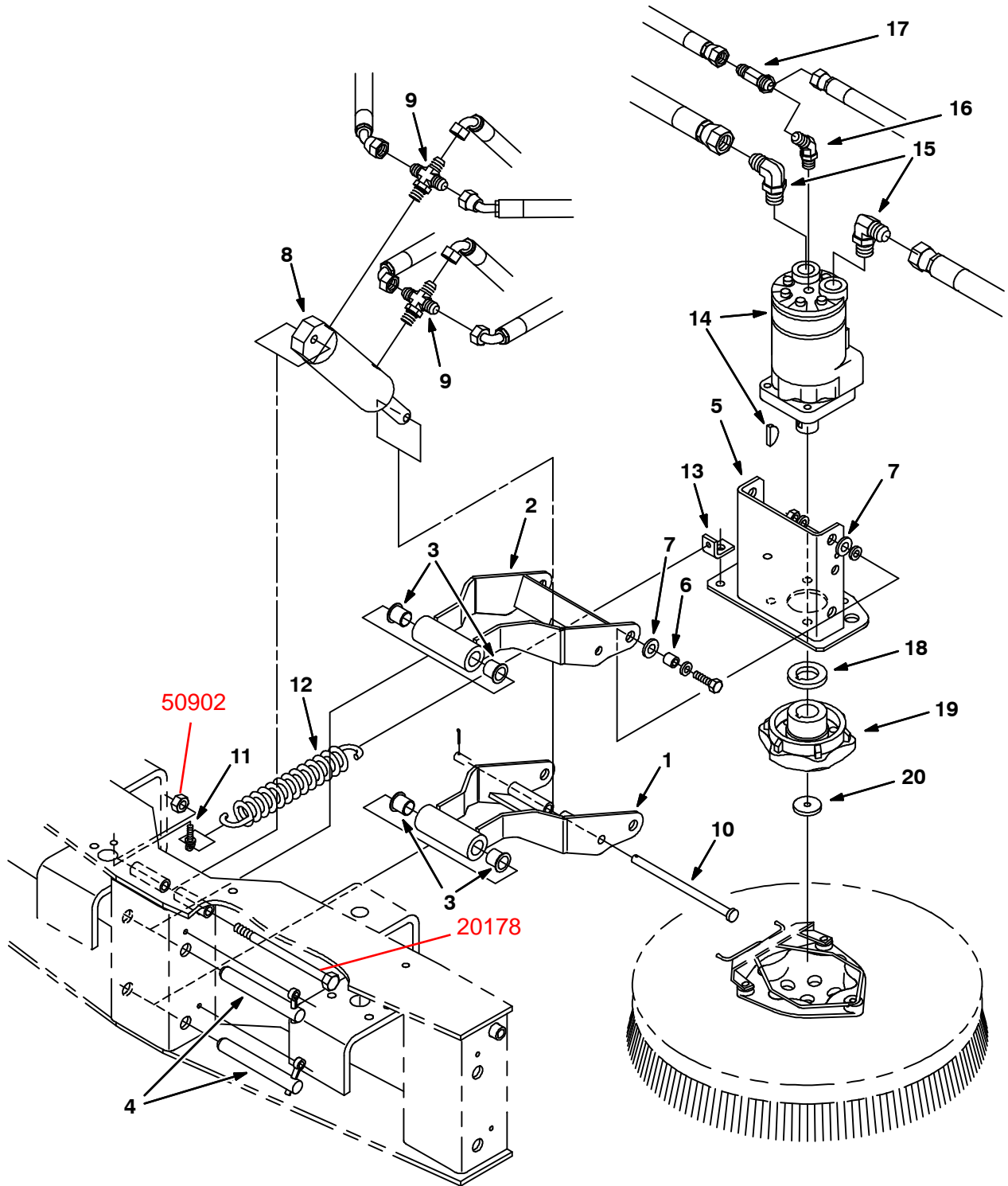


Fig. 46 - Center Scrub Brush Group

Ref.	TENNANT Part No.	Machine Serial Number	Description	Qty.
1	72663	(000000-) Link, Lower	1
2	72773	(000000-) Link Wldt, Upper	1
3	72777	(000000-) Bushing, Flanged, .625 Id	4
4	72775	(000000-) Pin, Scrub Brush, .625D 5.00L	2
5	72839	(000000-) Bracket, Motor	1
6	56624	(000000-) Spacer, Pulley	4
7	86952	(000000-) Washer-Flat .44 Std Nylon	8
8	73089	(000000-) Cylinder, Hyd 1.5B 02.8S.2500	1
9	82802	(000000-) Ftg-Hyd Crs Jm04/Om04	2
10	49924	(000000-) Pin,Clevis,0.37 Dia.X 6.12 Lg	1
11	48079	(000000-) Bolt-Eye, .25-20Th .25B 1.4L	1
12	33404	(000000-) Spring, Tension	1
13	72832	(000000-) Angle, Retainer, Spring	1
14	73090	(000000-) Motor, Hyd Gear In 07.3 B 1500 (See Breakdowns)	1
15	44868	(000000-) Ftg-Hyd E90 Jm08/Om08	2
16	34359	(000000-) Ftg-Hyd E45 Jm04/Om04	1
17	57411	(000000-) Ftg-Hyd Tee Jm04Jfjm	1
18	25611	(000000-) Spacer Hub	1
19	72625	(000000-) Hub, Brush Drive	1
20	19191	(000000-) Spacer Hub	1

Fig. 47 - Right Scrub Brush Group

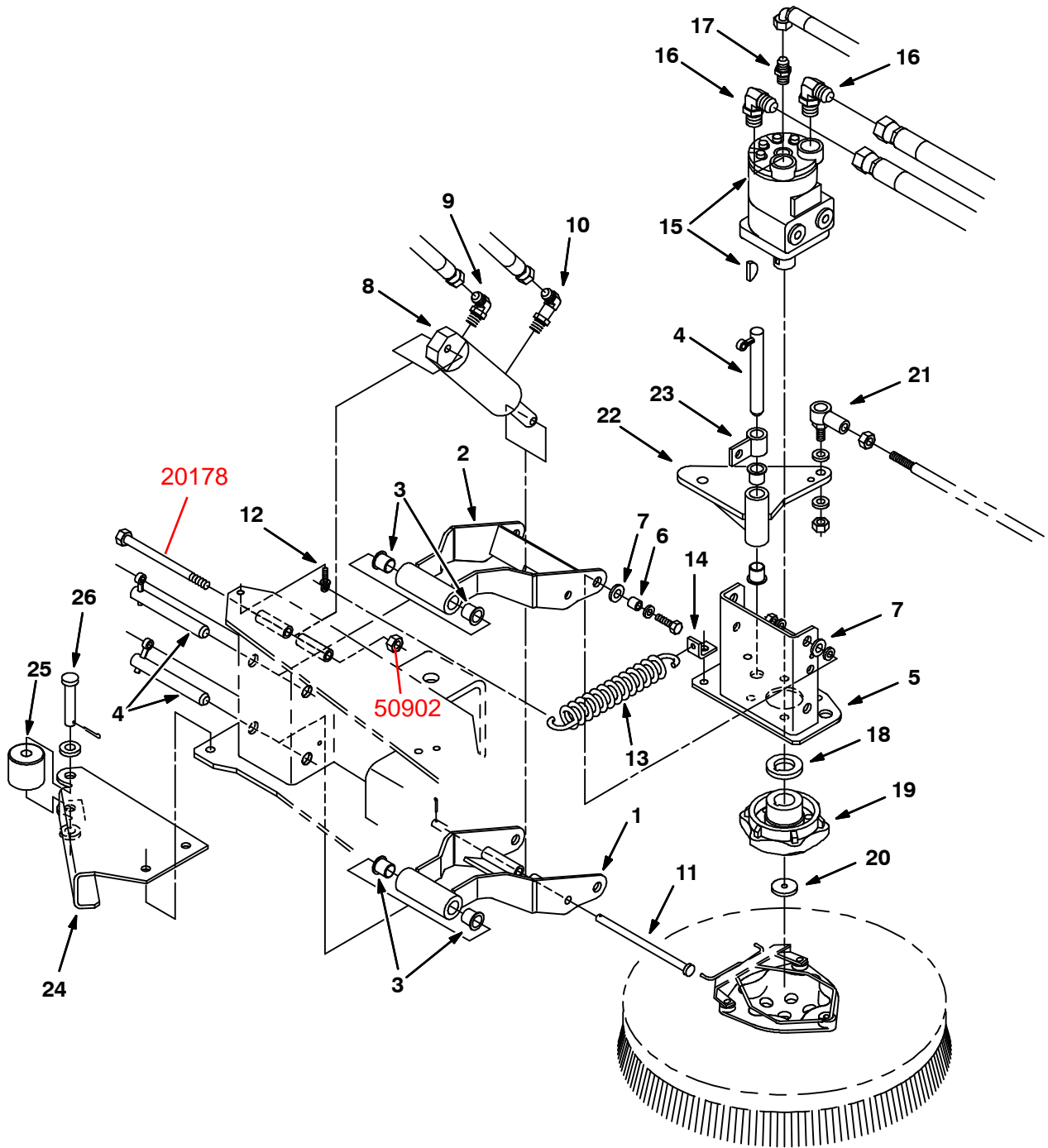


Fig. 47 - Right Scrub Brush Group

Ref.	TENNANT Part No.	Machine Serial Number	Description	Qty.
1	72663	(000000-) Link, Lower	1
2	72773	(000000-) Link Wldt, Upper	1
3	72777	(000000-) Bushing, Flanged, .625 Id	4
4	72775	(000000-) Pin, Scrub Brush, .625D 5.00L	3
5	72839	(000000-) Bracket, Motor	1
6	56624	(000000-) Spacer, Pulley	4
7	86952	(000000-) Washer-Flat .44 Std Nylon	8
8	73089	(000000-) Cylinder, Hyd 1.5B 02.8S.2500	1
9	77097	(000000-) Ftg-Hyd E90 Jm04/Om04	1
10	82825	(000000-) Ftg-Hyd E90 Jm04/Om04	1
11	49924	(000000-) Pin,Clevis,0.37 Dia.X 6.12 Lg	1
12	48079	(000000-) Bolt-Eye, .25-20Th .25B 1.4L	1
13	33404	(000000-) Spring, Tension	1
14	72832	(000000-) Angle, Retainer, Spring	1
15	73090	(000000-) Motor, Hyd Gear In 07.3 B 1500 (See Breakdowns)	1
16	44868	(000000-) Ftg-Hyd E90 Jm08/Om08	2
17	55586	(000000-) Ftg-Hyd Str Jm04/Om04	1
18	25611	(000000-) Spacer Hub	1
19	72625	(000000-) Hub, Brush Drive	1
20	19191	(000000-) Spacer Hub	1
21	05686	(000000-) Rod End M10 X1.5 W/Stud	1
22	72859	(000000-) Arm Wldt, Support, Squeegee,Rh	1
23	72842	(000000-) Tube	1
24	72945	(000000-) Guard, Scrub, Edge	1
25	72946	(000000-) Roller 1.75	1
26	06279	(000000-) Pin,Clevis,0.50 Dia.X 2.50 Lg	1

Fig. 48 - Hydraulic Control Solenoid Valve Group

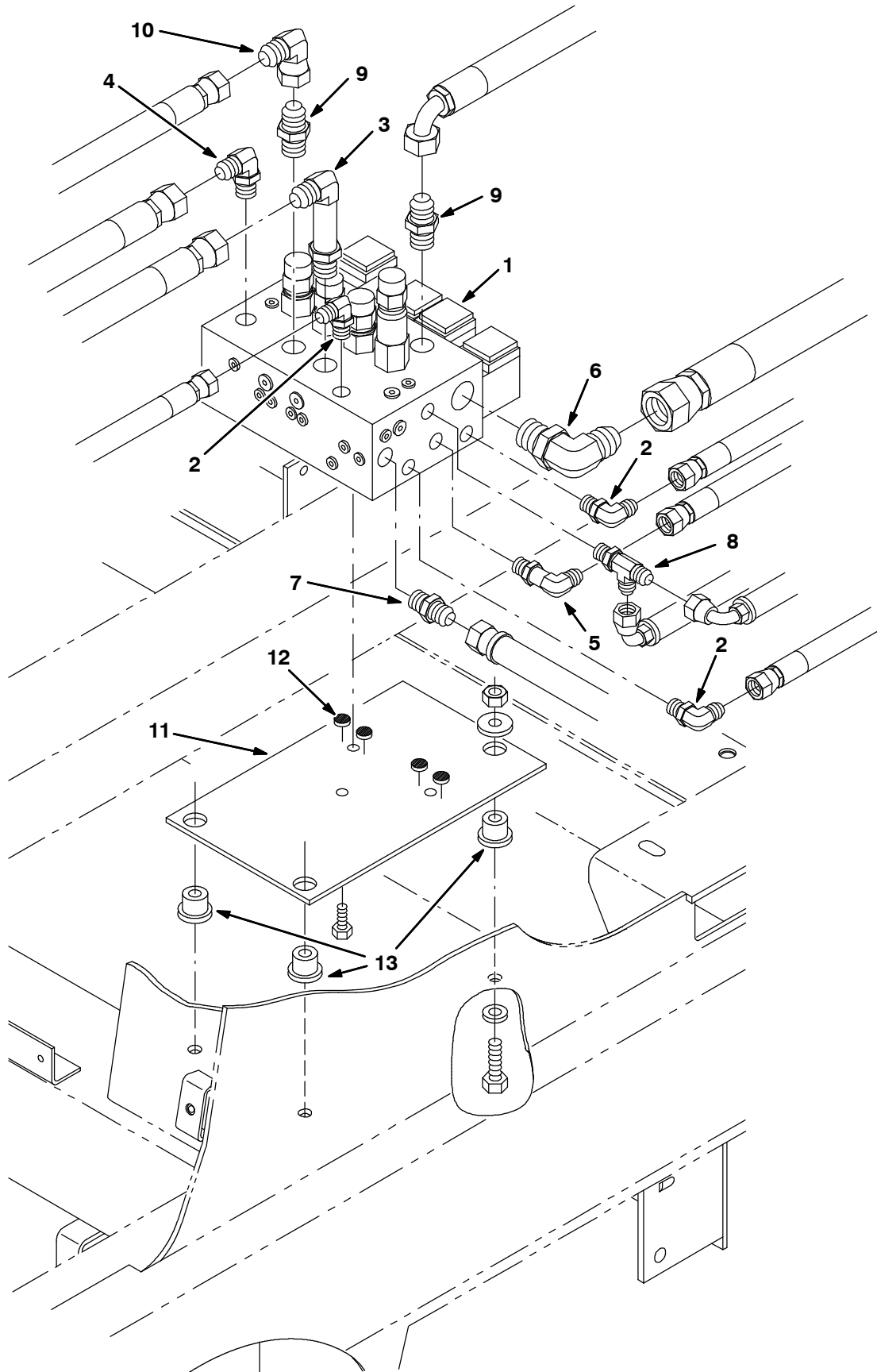


Fig. 48 - Hydraulic Control Solenoid Valve Group

Ref.	TENNANT Part No.	Machine Serial Number	Description	Qty.
1	73099	(000000-) Valve, Hyd Control Sol (See Breakdowns)	1
2	77097	(000000-) Ftg-Hyd E90 Jm04/Om04	3
3	69173	(000000-) Ftg-Hyd E90 Jm08/Om08	1
4	56820	(000000-) Ftg-Hyd E90 Jm06/Om06	1
5	82825	(000000-) Ftg-Hyd E90 Jm04/Om04	1
6	46481	(000000-) Ftg-Hyd E90 Jm12/Om12	1
7	56690	(000000-) Ftg-Hyd Str Jm06/Om06	1
8	34390	(000000-) Ftg-Hyd Tee Jm04Jmom	1
9	44869	(000000-) Ftg-Hyd Str Jm08/Om08	2
10	17980	(000000-) Ftg-Hyd E90 Jm08/Jf08	1
11	77260	(000000-) Plate, Mounting, Valve	1
12	64757	(000000-) Bumper, rubber, .50 Dia	4
13	54274	(000000-) Isolator-Vibration,125Lb.Ratng	3

Fig. 49 - Right Side Squeegee Group

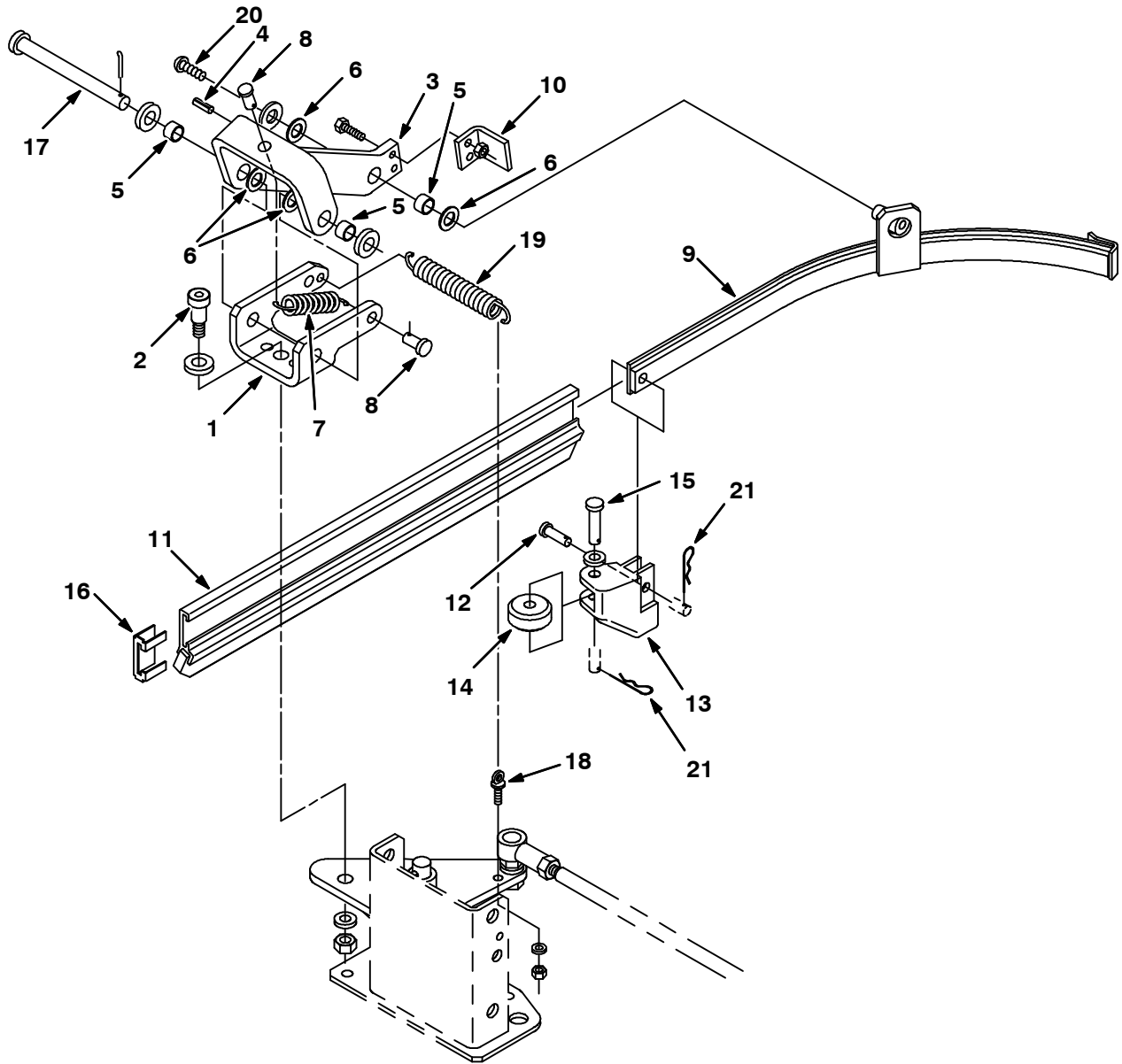


Fig. 49 - Right Side Squeegee Group

Ref.	TENNANT Part No.	Machine Serial Number	Description	Qty.
1	72664	(000000-) Bracket, Pivot	1
2	33123	(000000-) Scr-Shld .50Odx0.75L .38-16	1
3	72870	(000000-) Arm, Squeegee, Rh	1
4	17404	(000000-) Pin,Roll,.25Odx0.75L,.250/.256	1
5	64173	(000000-) Bearing,.50X.38	3
6	86860	(000000-) Bearing, Thrust .500	4
7	87816	(000000-) Spring, Extension	1
8	41305	(000000-) Pin Clevis 0.37 Dia X 0.75 Lg	2
9	72876	(000000-) Frame Wldt, Squeegee , Rh	1
10	72871	(000000-) Angle, Stop, Squeegee	1
11	72934	(000000-) Blade Assy, Squeegee, Side, Rh	1
12	69582	(000000-) Pin,Clevis,0.31 Dia X 1.00 Lg	1
13	77333	(000000-) Guide, Side Squeegee	1
14	77331	(000000-) Roller,Side Squeegee	1
15	29558	(000000-) Pin,Clevis,0.37 Dia.X 1.50 Lg	1
16	86759	(000000-) Retainer, Squeegee	1
17	51538	(000000-) Pin,Clevis,0.50 Dia.X 5.00 Lg	1
18	48079	(000000-) Bolt-Eye, .25-20Th .25B 1.4L	1
19	29499	(000000-) Spring, Tens.750Dx.10Wirex4.5	1
20	17284	(000000-) Scr-Butn M8X1.25 16 Ss18-8	1
21	08085	(000000-) Pin, Hair Cotter	2

Fig. 50 - Left Side Squeegee Group

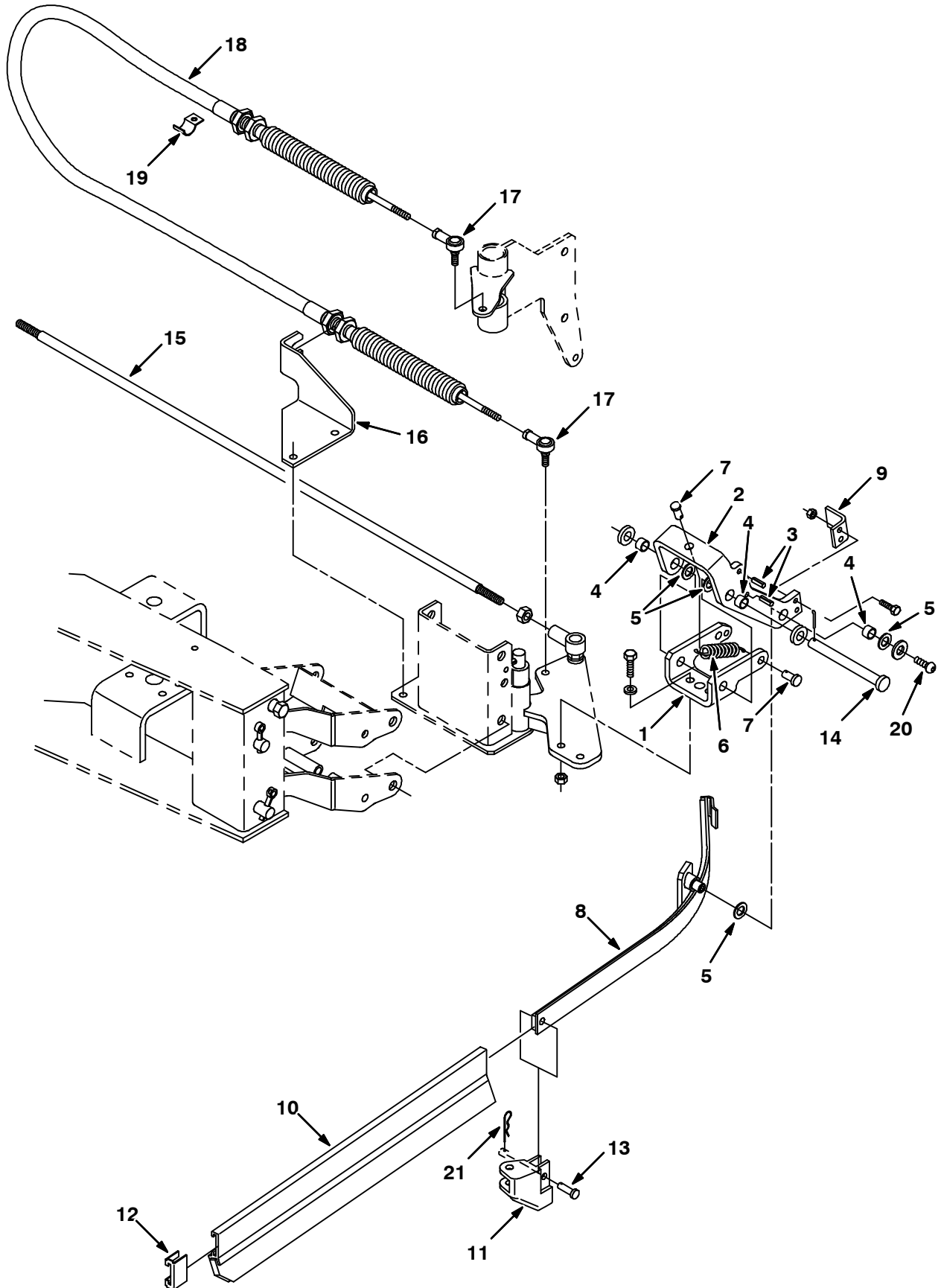


Fig. 50 - Left Side Squeegee Group

Ref.	TENNANT Part No.	Machine Serial Number	Description	Qty.
1	72664	(000000-) Bracket, Pivot	1
2	72869	(000000-) Arm, Squeegee, Lh	1
3	17404	(000000-) Pin,Roll,.25Odx0.75L,.250/.256	2
4	64173	(000000-) Bearing,.50X.38	3
5	86860	(000000-) Bearing, Thrust .500	4
6	87816	(000000-) Spring, Extension	1
7	41305	(000000-) Pin Clevis 0.37 Dia X 0.75 Lg	2
8	72875	(000000-) Frame Wldt, Squeegee, Lh	1
9	72871	(000000-) Angle, Stop, Squeegee	1
10	72933	(000000-) Blade Assy, Squeegee, Side, Lh	1
11	77333	(000000-) Guide, Side Squeegee	1
12	86759	(000000-) Retainer, Squeegee	1
13	69582	(000000-) Pin,Clevis,0.31 Dia X 1.00 Lg	1
14	51538	(000000-) Pin,Clevis,0.50 Dia.X 5.00 Lg	1
15	72838	(000000-) Rod, Tie, Squeegee	1
16	72864	(000000-) Bracket, Support, Cable	1
17	36466	(000000-) Rod End .312-24 W/Stud	2
18	72837	(000000-) Cable, Push/Pull	1
19	15128-1	(000000-) Clamp-Conduit, 1 Hole 0.50Dia	1
20	17284	(000000-) Scr-Butn M8X1.25 16 Ss18-8	1
21	08085	(000000-) Pin, Hair Cotter	1

Fig. 51 - Rear Squeegee Linkage Group

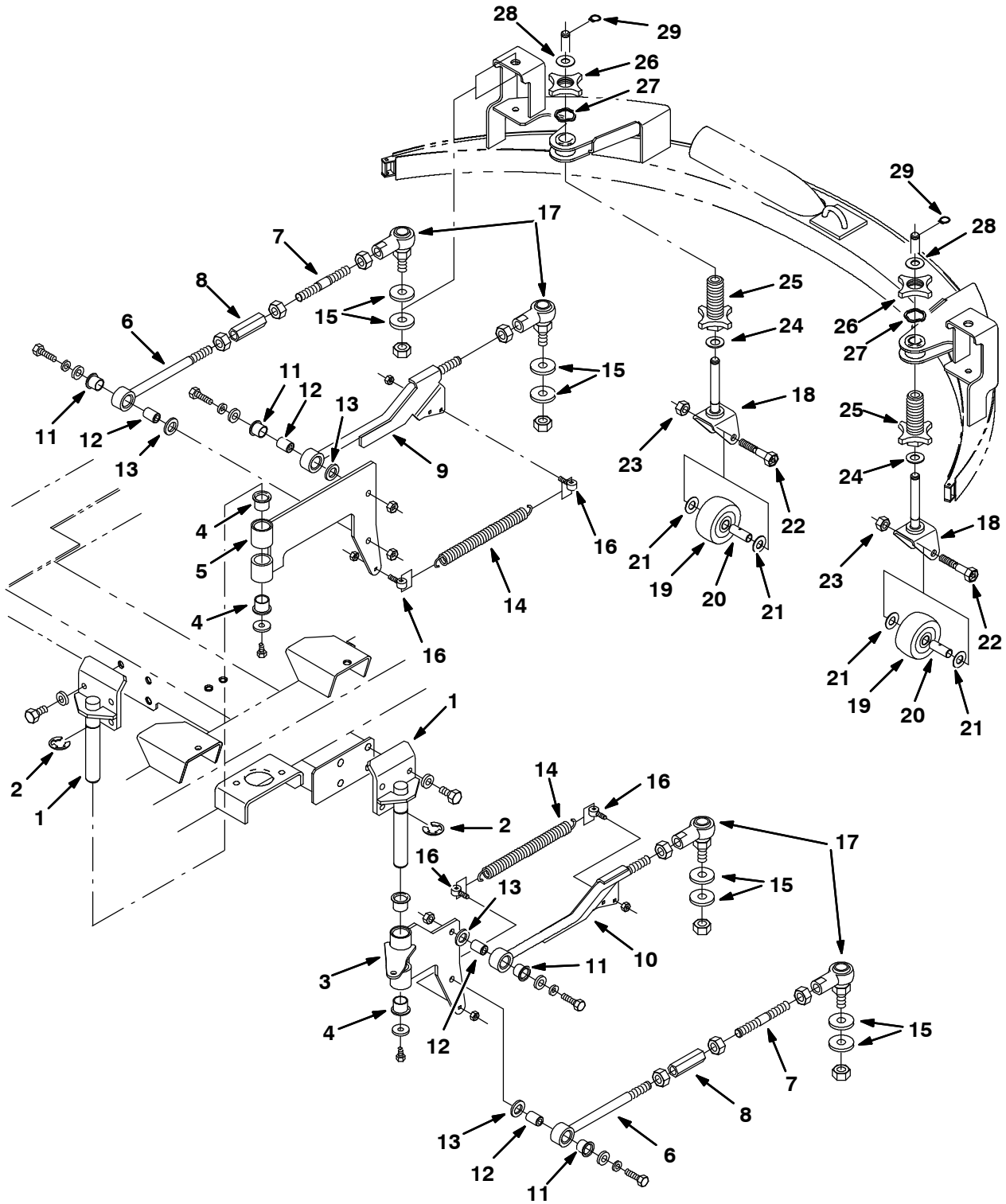


Fig. 51 - Rear Squeegee Linkage Group

Ref.	TENNANT Part No.	Machine Serial Number	Description	Qty.
1	72715	(000000-) Pivot Wldt	2
2	23788	(000000-) Ring, Retain, Ex, 0.98Od, E-Ring	2
3	73368	(000000-) Pivot Wldt, Lh	1
4	54618	(000000-) Bearing, Flange, 1.00 Bore	4
5	73365	(000000-) Pivot Wldt, Rh	1
6	73375	(000000-) Arm Wldt, Bottom	2
7	77224	(000000-) Arm	2
8	72919	(000000-) Turnbuckle	2
9	73372	(000000-) Arm Wldt, Top, Rh	1
10	77273	(000000-) Arm Wldt, Top, Lh	1
11	72763	(000000-) Bearing, Flange, .750 Bore	4
12	73370	(000000-) Sleeve, .414B .74D .92 Stl	4
13	04846	(000000-) Washer, Thrust	4
14	46785-1	(000000-) Sprng, Tens, 0.87Odx. 13Wire 9.0L	2
15	32494	(000000-) Washer Flt .62 Hard	8
16	69998	(000000-) Bolt-Eye, M 8X1.25 .328 1.18L	4
17	77275	(000000-) Balljoint, Rod End 5/8-18	4
▽	78979	(000000-) Squeegee Caster Replacement Kit	2
▲	18 84593	(000000-) Pivot Wldt, Squeegee Caster	1
▲	19 10165	(000000-) Wheel, Caster 3.00D	1
▲	20 75050	(000000-) Bushing, Spanner - Special 550	1
▲	21 64425	(000000-) Washer, .656B 1.25D .06W	2
▲	22 76943	(000000-) Bolt, Axle w/Zerk	1
▲	23 02931	(000000-) Nut-Hxlocnyln .50-13 RegSS18-8	1
▲	24 07450	(000000-) Bearing, Thrust .66B 1.25D .06W	1
▲	25 77228	(000000-) Knob, Adjuster	1
▲	26 77227	(000000-) Knob, Jam	1
▲	27 79217	(000000-) Washer, Wave Spring 1.20B X 1.54D	1
▲	28 77272	(000000-) Washer .60 OB 1.13D .10 SS8-8	1
▲	29 01516	(000000-) Ring, Retain, Ex, 0.59OD, Basic	1

Fig. 52 - Rear Squeegee Frame and Lift Group

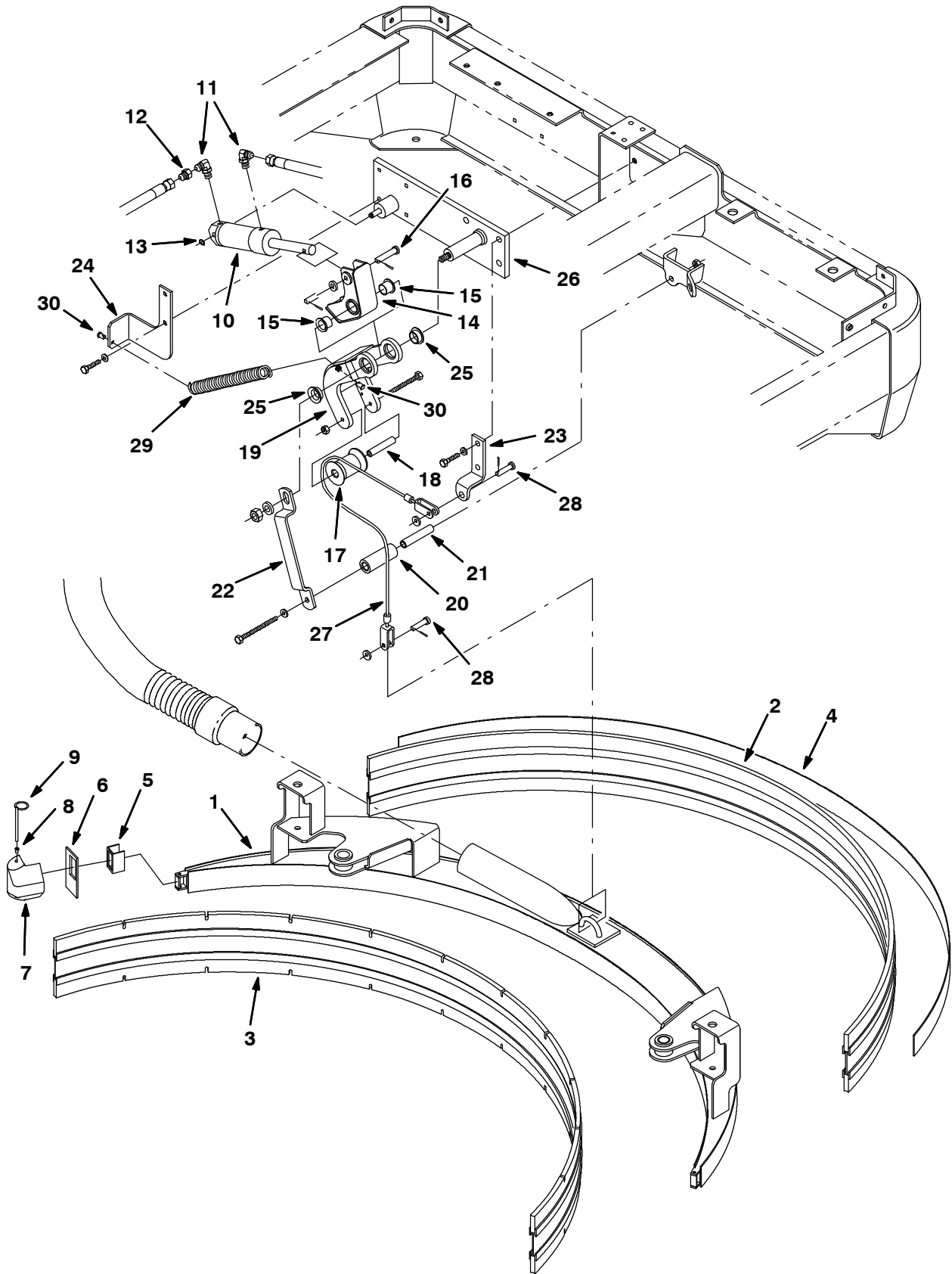


Fig. 52 - Rear Squeegee Frame and Lift Group

Ref.	TENNANT Part No.	Machine Serial Number	Description	Qty.
1	73344	(000000-) Frame Wldt, Squeegee	1
2	73357	(000000-) Blade Assy, Squeegee, Rear	1
3	73360	(000000-) Blade Assy, Squeegee, Front	1
4	72917	(000000-) Strip, Retaining	1
5	12542	(000000-) Bracket, Retainer	2
6	86812	(000000-) Gasket, Squeegee	2
▽	10687	(000000-) Bumper Kit, Squeegee	2
▲	7 10683	(000000-) Bumper, Squeegee	1
▲	8 79219	(000000-) Retainer	2
9	86327	(000000-) Pin, Hitch	2
10	73089	(000000-) Cylinder, Hyd 1.5B 02.8S.2500	1
11	77097	(000000-) Ftg-Hyd E90 Jm04/Om04	2
12	79447	(000000-) Ftg-Hyd Rst Jm04/.036	1
13	23524-1	(000000-) Ring, Retain, Ex, 0.37Od, Selflock	1
14	83780	(000000-) Bellcrank Assy, Upper	1
15	56166	(000000-) Bearing, 1.00 DIA x .75 L	2
16	222260	(000000-) Pin, Clevis, 0.37 Dia. X 2.25 Lg	1
17	83749	(000000-) Roller Thimble	1
18	83756	(000000-) Sleeve, Roller	1
19	83781	(000000-) Bellcrank Assy, Lower	1
20	23006	(000000-) Roller	2
21	23005	(000000-) Sleeve, Roller	2
22	23002	(000000-) Bracket, Gusset, Rear	1
23	72910	(000000-) Bracket, Cable Clip	1
24	23001	(000000-) Bracket, Spring	1
25	83733	(000000-) Bearing, 1.00 DIA x .38 L	2
26	23004	(000000-) Pin Wldt	1
27	10542	(000000-) Cable	1
28	86240	(000000-) Pin, Clevis .375 Dia X 1.13 Lg	2
29	23007	(000000-) Spring, Extension	1
30	41305	(000000-) Pin, Clevis	2

Fig. 53 - Solution Control Group

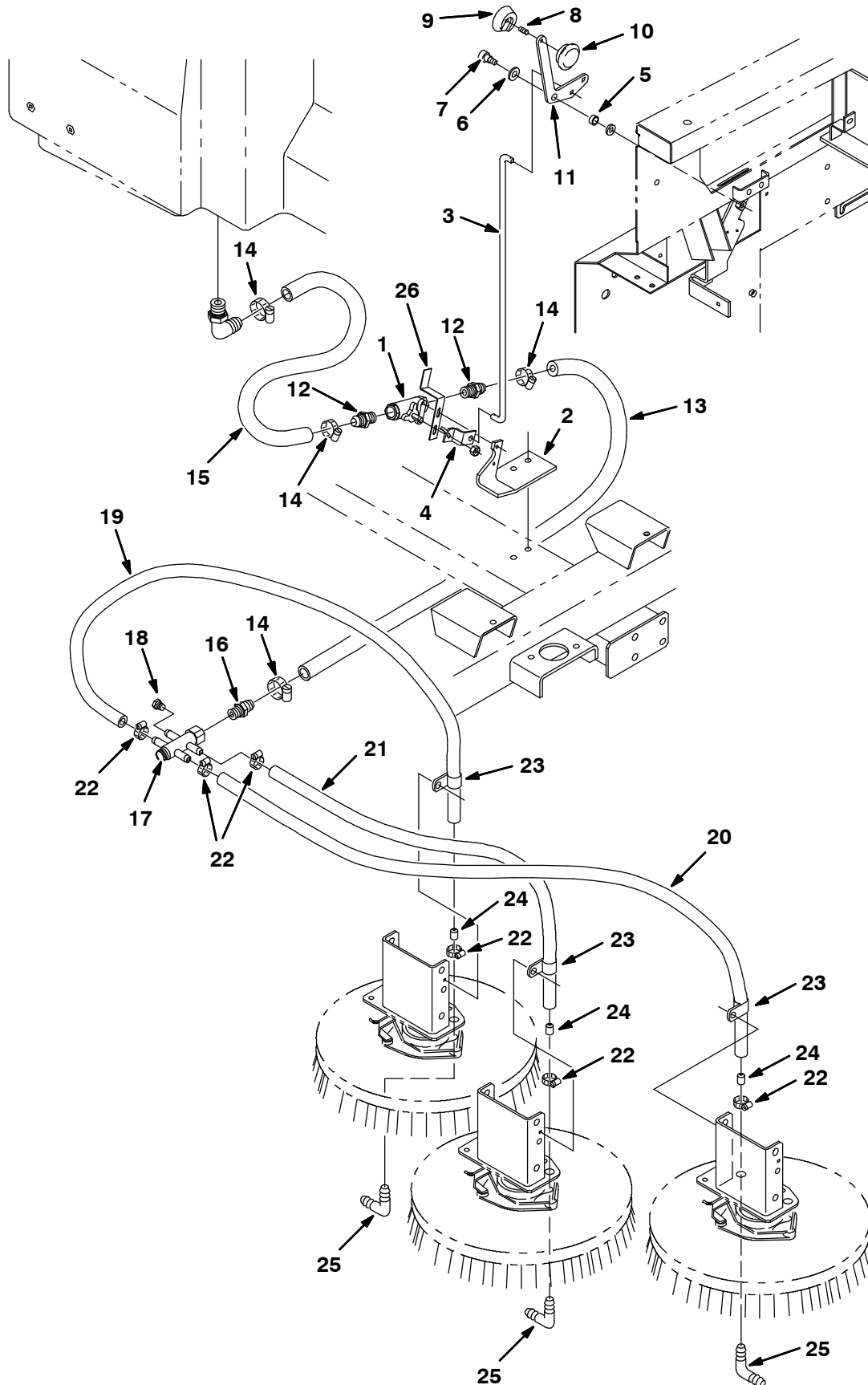


Fig. 53 - Solution Control Group

Ref.	TENNANT Part No.	Machine Serial Number	Description	Qty.
1	12060	(000000-010081)	Valve Water 3/4 Nptf	1
1	79350	(010082-)	Valve Water 3/4 Nptf	1
2	72753	(000000-)	Bracket, Valve	1
3	72752	(000000-)	Rod, Valve	1
4	72751	(000000-)	Lever, Valve	1
5	46231	(000000-)	Sleeve, .515B .62D .28 Cr.	1
6	89710	(000000-)	Washer, Nylon .5X1.0X.03	1
7	36758	(000000-)	Scr-Shld .500Dx0.50L .38-16	1
8	70847	(000000-)	Screw Set M 6X1.020	1
9	70827	(000000-)	Knob	1
10	64434	(000000-)	Knob	1
11	72754	(000000-)	Handle, Valve	1
12	79273-2	(000000-)	Ftg,Plstc,Cplg,Barb.75Pt-.75Hs	2
13	73477	(000000-)	Hose, Vinyl, Cir, .75ldx 50.Lg	1
14	86824	(000000-)	Clamp-Wormdrive 0.50-1.06D	4
15	73474	(000000-)	Hose, Vinyl,Clear	1
16	78398	(000000-)	Ftg,Plstc,Str,Barb.50Pt-.75Hse	1
17	72950	(000000-)	Manifold, Plastic	1
18	50896	(000000-)	Ftg-Plug Npt 02Pm Hx Hd Plasti	1
19	72951	(000000-)	Hose, Pvc .50ldx.73Od 18.0Lg	1
20	72953	(000000-)	Hose, Pvc .50ldx.73Od 23.0Lg	1
21	72952	(000000-)	Hose, Pvc .50ldx.73Od 12.5Lg	1
22	54333	(000000-)	Clamp-Wormdrive, 0.31- 0.88D	6
23	67767	(000000-)	Clamp-Cable,.69Dia. 62Wth	3
24	77334	(000000-)	Fitting, Plastic, Str,Ba.31ld-	3
25	63987-1	(000000-)	Ftg,Plstc,Elb,Barb.50Hs-.50Hse	3
26	79336	(010082-)	Bracket, Holder	1

Fig. 54 - Solution Tank Group

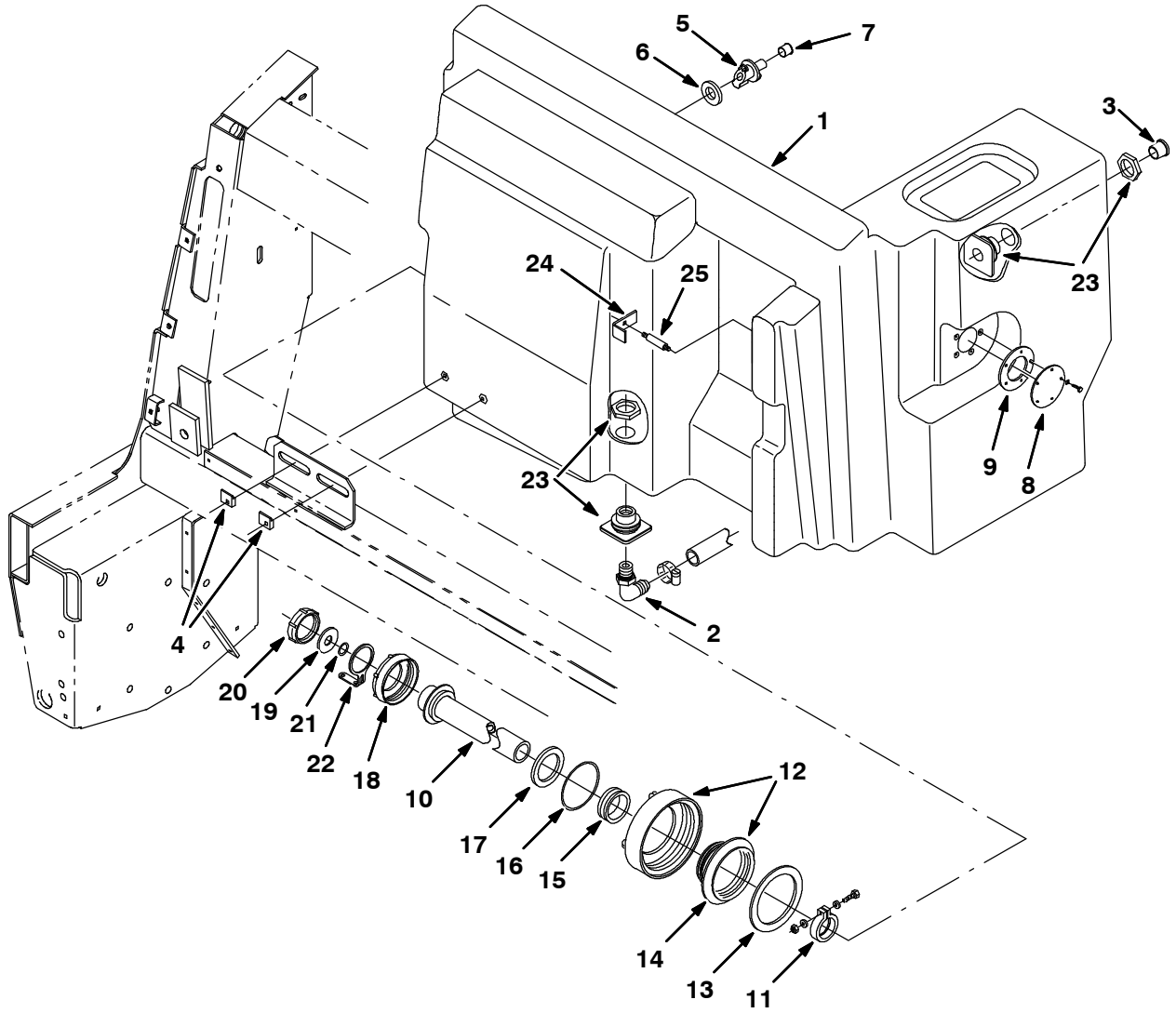


Fig. 54 - Solution Tank Group

Ref.	TENNANT Part No.	Machine Serial Number	Description	Qty.
1	78868	(000000-) Tank, Solution W/Label	1
2	14877	(000000-) Ftg Plastic E90 .75Barb .75Npt	1
3	75611	(000000-) Ftg-Plug Npt 12Pm Rd Hd Plstc.	1
4	73142	(000000-) Clamp, Mtg, Tank	2
5	78840	(000000-) Valve, Check Gr	1
6	73342	(000000-) Gasket, Valve Gr	1
7	78740	(000000-) Plug, Cap, Check Valve	1
8	86755	(000000-) Cap, Plate	1
9	86591	(000000-) Gasket	1
10	73149	(000000-) Hose Assy, Drain	1
11	41454	(000000-) Clamp, Hose	1
▽ 12	24358	(000000-) Cap, Assembly, Tank	1
▲ 13	86579	(000000-) Gasket, Lid	1
14	14864	(000000-) Cover, Insert	1
15	41421	(000000-) Seal, Hose	1
16	79320	(000000-) Drain Cap Gasket	1
17	41451	(000000-) Gasket Lid	1
18	14880	(000000-) Cap, Drain Hose	1
19	32614	(000000-) Gasket Cap	1
20	32613	(000000-) Cap Drain	1
21	32669	(000000-) Ring Retain E	1
22	32508	(000000-) Strap Cap Retainer	1
23	77343	(000000-) Ftg,Plstc,Str,Bk 12Pf/12Pf	1
24	78887	(000000-) Bracket	1
25	78886	(000000-) Threaded Rod	1

Fig. 55 - Recovery Tank Group

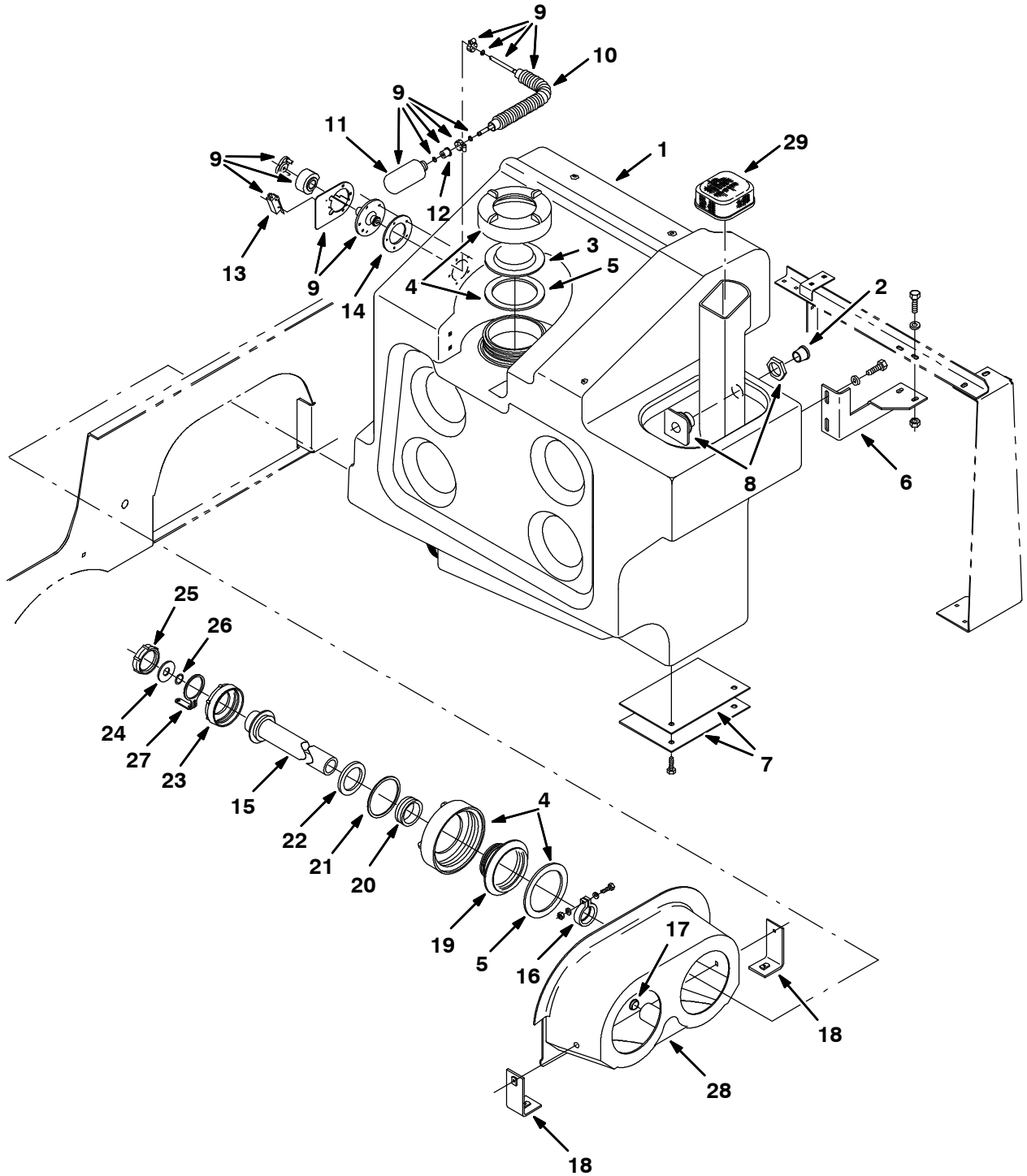


Fig. 55 - Recovery Tank Group

Ref.	TENNANT Part No.	Machine Serial Number	Description	Qty.
1	78869	(000000-) Tank, Recovery W/Labels	1
2	75611	(000000-) Ftg-Plug Npt 12Pm Rd Hd Plstc.	1
3	86636	(000000-) Cover Lid	1
▽ 4	24358	(000000-) Cap Assembly, Tank	3
▲ 5	86579	(000000-) Gasket, Lid	1
6	77323	(000000-) Bracket, Mtg, Tank	1
7	71079	(000000-) Shim, Spacer	as Req.
8	77343	(000000-) Ftg,Plstc,Str,Bk 12Pf/12Pf	2
▽ 9	73147	(000000-) Level Sensing Assy	1
▲ 10	73145	(000000-) Bellows, .75 Id 10.3L	1
▲ 11	50238	(000000-) Float Bottle	1
▲ 12	50256	(000000-) Plug, Float	1
▲ 13	44847	(000000-) Switch, 15Amp 125/250Vac	1
14	86591	(000000-) Gasket	1
15	73149	(000000-) Hose Assy, Drain	1
16	41454	(000000-) Clamp, Hose	1
17	58248	(000000-) Plug	1
18	77234	(000000-) Bracket	2
19	14864	(000000-) Cover, Insert	1
20	41421	(000000-) Seal, Hose	1
21	79320	(000000-) Gasket, Drain Cap	1
22	41451	(000000-) Gasket Lid	1
23	14880	(000000-) Cap, Drain Hose	1
24	32614	(000000-) Gasket Cap	1
25	32613	(000000-) Cap Drain	1
26	32669	(000000-) Ring Retain Ex, 0.75D	1
27	32508	(000000-) Strap Cap Retainer	1
28	10679	(000000-) Cover, Cleanout	1
29	10663	(000000-) Screen, Vac Fan Inlet	1

Fig. 56 - Vacuum System Group

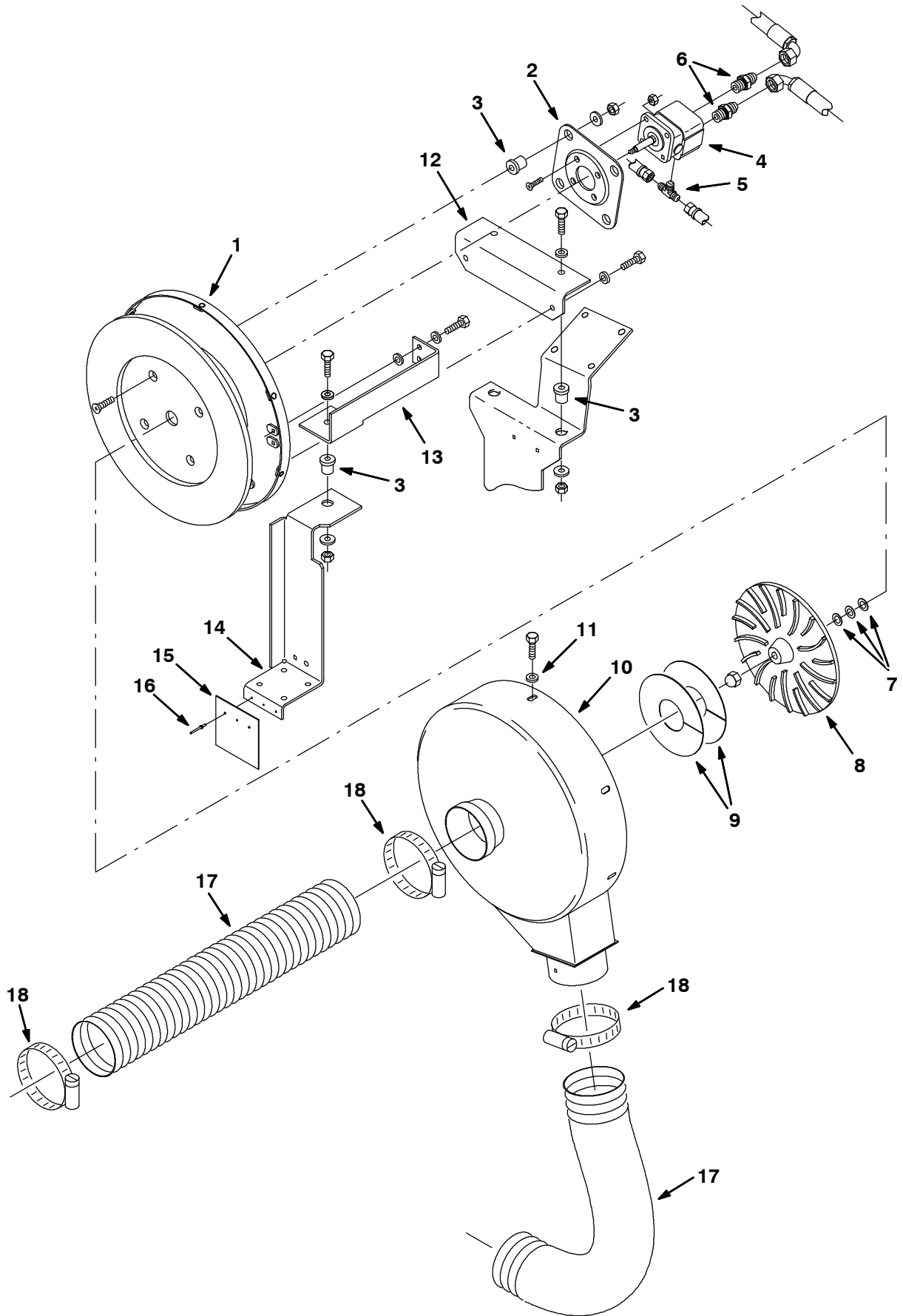


Fig. 56 - Vacuum System Group

Ref.	TENNANT Part No.	Machine Serial Number	Description	Qty.
1	73270	(000000-) Housing Wldt, Rear	1
2	54275A	(000000-) Bracket, Mounting Motor	1
3	54274	(000000-) Isolator-Vibration,125Lb.Ratng	7
4	73112	(000000-) Motor, Hyd Gear Ex 0.13L 3000 (See Breakdowns)	1
5	31599	(000000-) Ftg-Hyd Tee Jm04Omjm	1
6	56692	(000000-) Ftg-Hyd Str Jm08/Om10	2
7	75456-3	(000000-) Shim .020Th 0.88Odx0.506ld	3
7	75456-4	(000000-) Shim .060Th 0.880Dxo.506ld	3
8	03922	(000000-) Impeller 9.5 Dia. 18 Blade Mac	1
9	58114	(000000-) Fan, Repair Kit, ,Reassembly	1
10	77222	(000000-) Housing, Vac Fan W/Label	1
11	41186	(000000-) Washer-Belleville .31 Pltd	6
12	72635	(000000-) Bracket, Fan	1
13	73268	(000000-) Bracket, Fan	1
14	73269	(000000-) Bracket, Mtg, Fan	1
15	73264	(000000-) Shield, Exhaust	1
16	34738	(000000-) Rivet Pop-.125Dx.32X.25Dhd St	3
17	77320	(000000-) Hose, Vacuum	2
18	79380	(000000-) Clamp-Wormdrive, 2.63- 4.50D	3

Fig. 57 - Steering Group

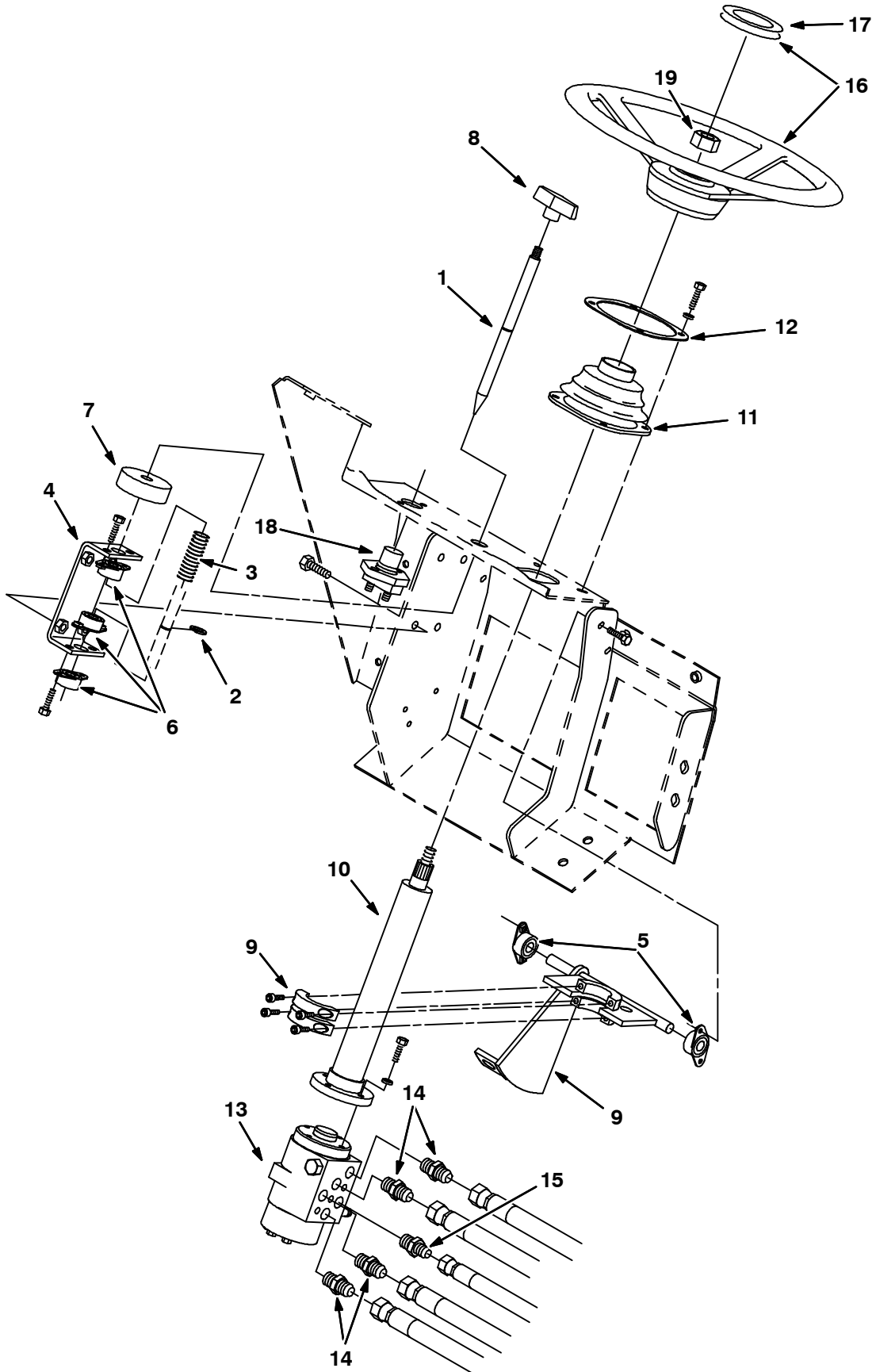


Fig. 57 - Steering Group

Ref.	TENNANT Part No.	Machine Serial Number	Description	Qty.
1	64651	(000000-) Rod, Latch, Steering, Tilt	1
2	70717	(000000-) Ring, Retain, Ex0.50Od,Heavydt	1
3	22290	(000000-) Sprng,Comp,0.62Idx.06Wire 2.3L	1
4	64655	(000000-) Channel, Mounting, Steering La	1
5	70709	(000000-) Bearing, Flange .500B	2
6	47585	(000000-) Bearing-Flange,2 Hole 0.50Bore	3
7	75968	(000000-) Seal, Bearing	1
8	04706	(000000-) Handle Lift Brush	1
9	73027	(000000-) Bracket Wldt, Steering, Tilt	1
10	73061	(000000-) Column, Steering #2 10Lg Wire	1
11	70622	(000000-) Seal, Boot, Steering Column	1
12	70623	(000000-) Plate, Mtg, Steering Boot	1
13	73093	(000000-) Steer Control, Hyd#2 06.1 1000 (See Breakdowns)	1
14	56690	(000000-) Ftg-Hyd Str Jm06/Om06	4
15	55685	(000000-) Ftg-Hyd Str Jm04/Om06	1
▽ 16	56398	(000000-) Wheel Steering 14DiAx36T	1
▲ 17	70218	(000000-) Steering Wheel Cap	1
▲	70219	(000000-) Steering Wheel Insert	1
18	44078	(000000-) Switch, Pushmom, Spst100A 12V	1
19	56185	(000000-) Nut	1

Fig. 58 - Instrument Panel Assembly Main Group

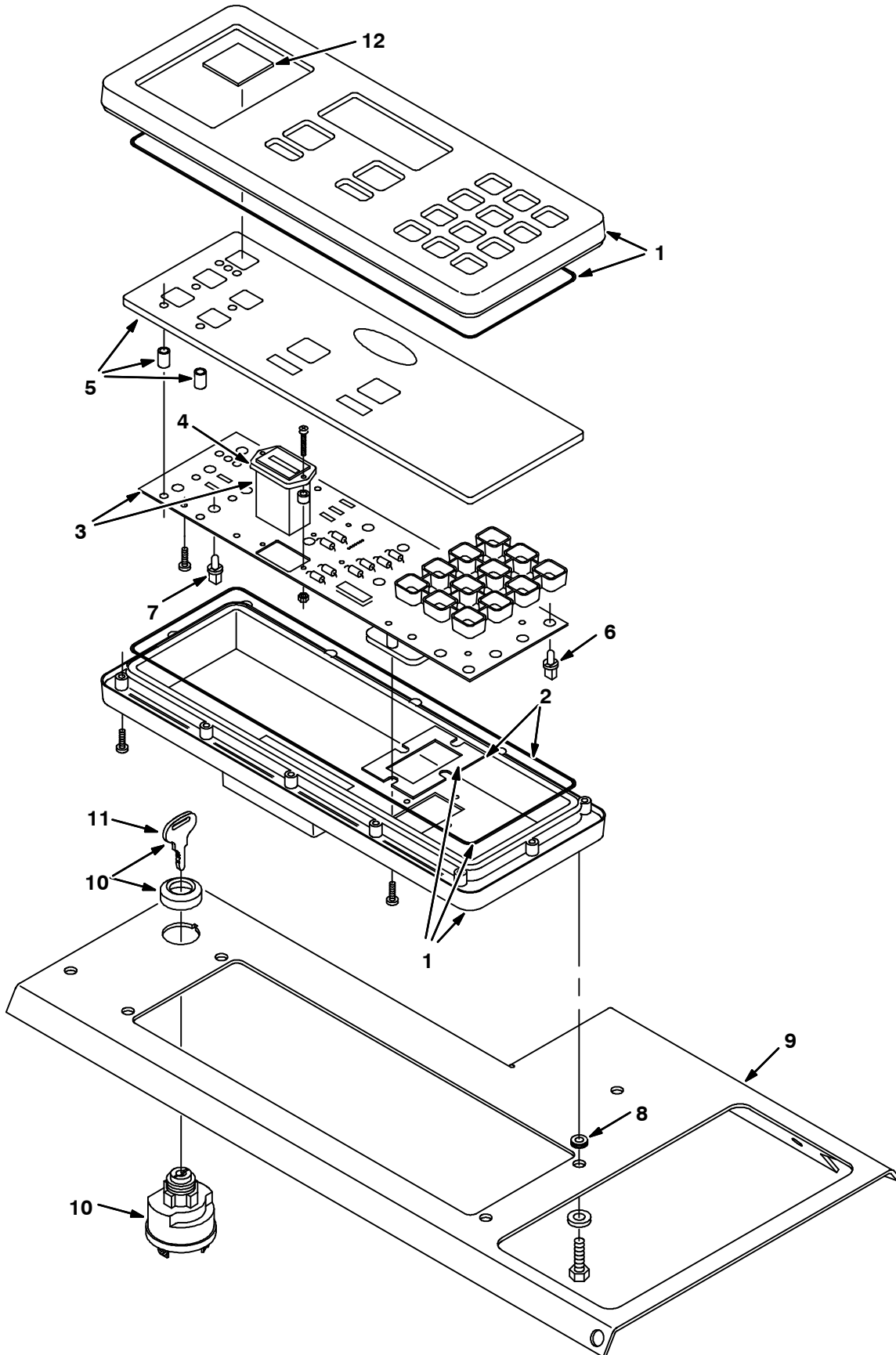


Fig. 58 - Instrument Panel Assembly Main Group

Ref.	TENNANT Part No.	Machine Serial Number	Description	Qty.
▽	73229	(000000-) Replm Kit, Instr Panel	1
▲ 1	59976	(000000-) Case, Replmt Kit	1
▲ 2	59977	(000000-) Seal, Replmt Kit	1
▲▽ 3	73232	(000000-) Replm Kit, Cir Board	1
▲▲ 4	59978	(000000-) Hourmeter Replmt Kit	1
▲ 5	73231	(000000-) Replm Kit, Touch Panel	1
▲ 6	59971	(000000-) Lamp, Replmt Kit (8)	2
▲ 7	56346	(000000-) Lamp, Replmt Kit (8)	2
8	10632-5	(000000-) Grommet Rbr 0.25ld For .09Matl	4
9	73183	(000000-) Panel, Instr	1
▽ 10	87536	(000000-) Switch Ignition	1
▲ 11	87866	(000000-) Key Set,Switch	1
12	70646	(000000-) Label, Overlay, Touch Panel	1

Fig. 59 - Instrument Panel Auxiliary Group

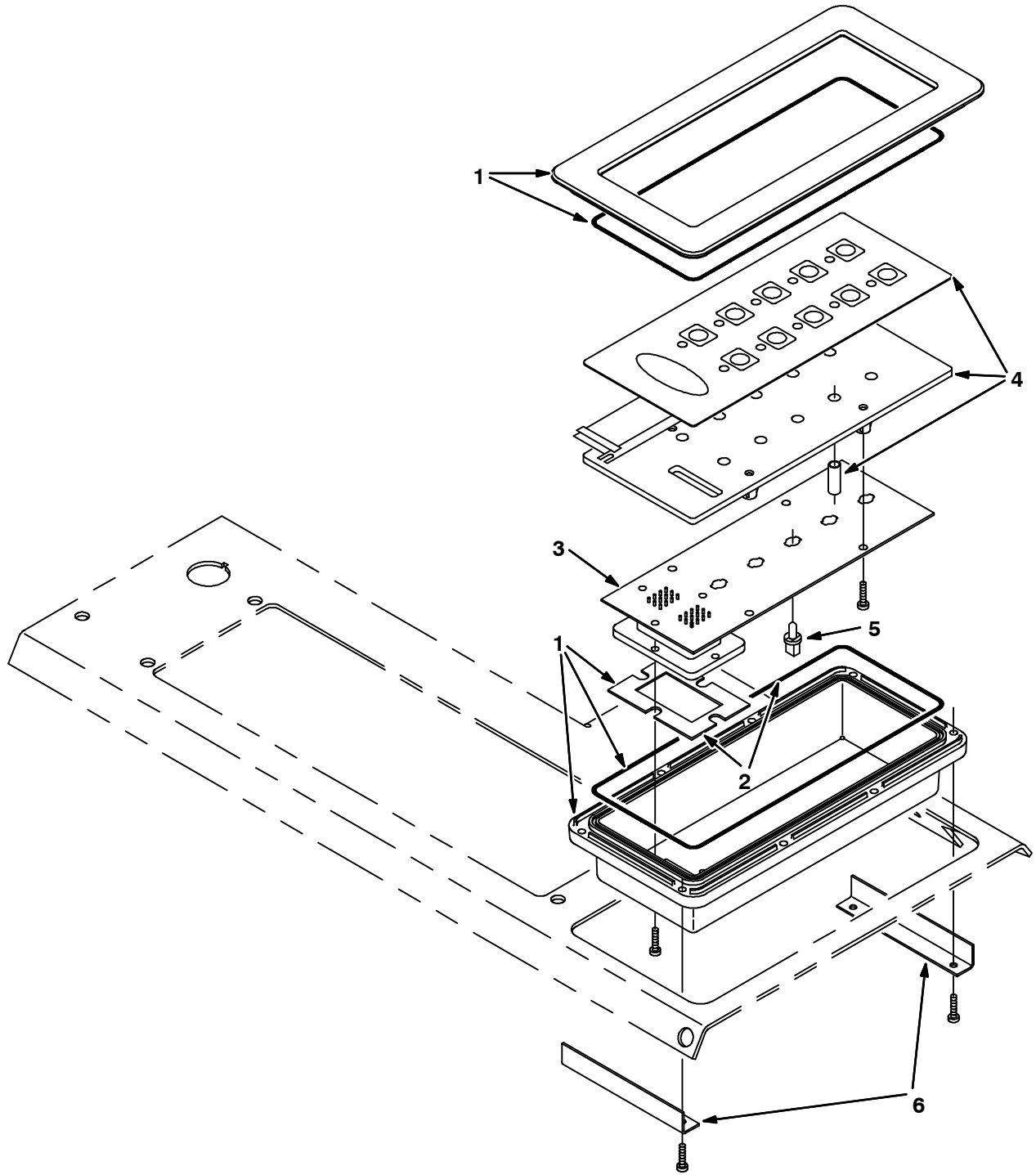


Fig. 59 - Instrument Panel Auxiliary Group

Ref.	TENNANT Part No.	Machine Serial Number	Description	Qty.
▽	73236	(000000-) Replm Kit, Instr Panel	1
▲ 1	73235	(000000-) Replm Kit, Case	1
▲ 2	73234	(000000-) Replm Kit, Seal	1
▲ 3	73233	(000000-) Replm Kit, Cir Board	1
▲ 4	73230	(000000-) Replm Kit, Touch Panel	1
▲ 5	73205	(000000-) Replm Kit, Lamp (5)	2
6	73239	(000000-) Bracket, L	2

Fig. 60 - Circuit Breaker and Relay Group

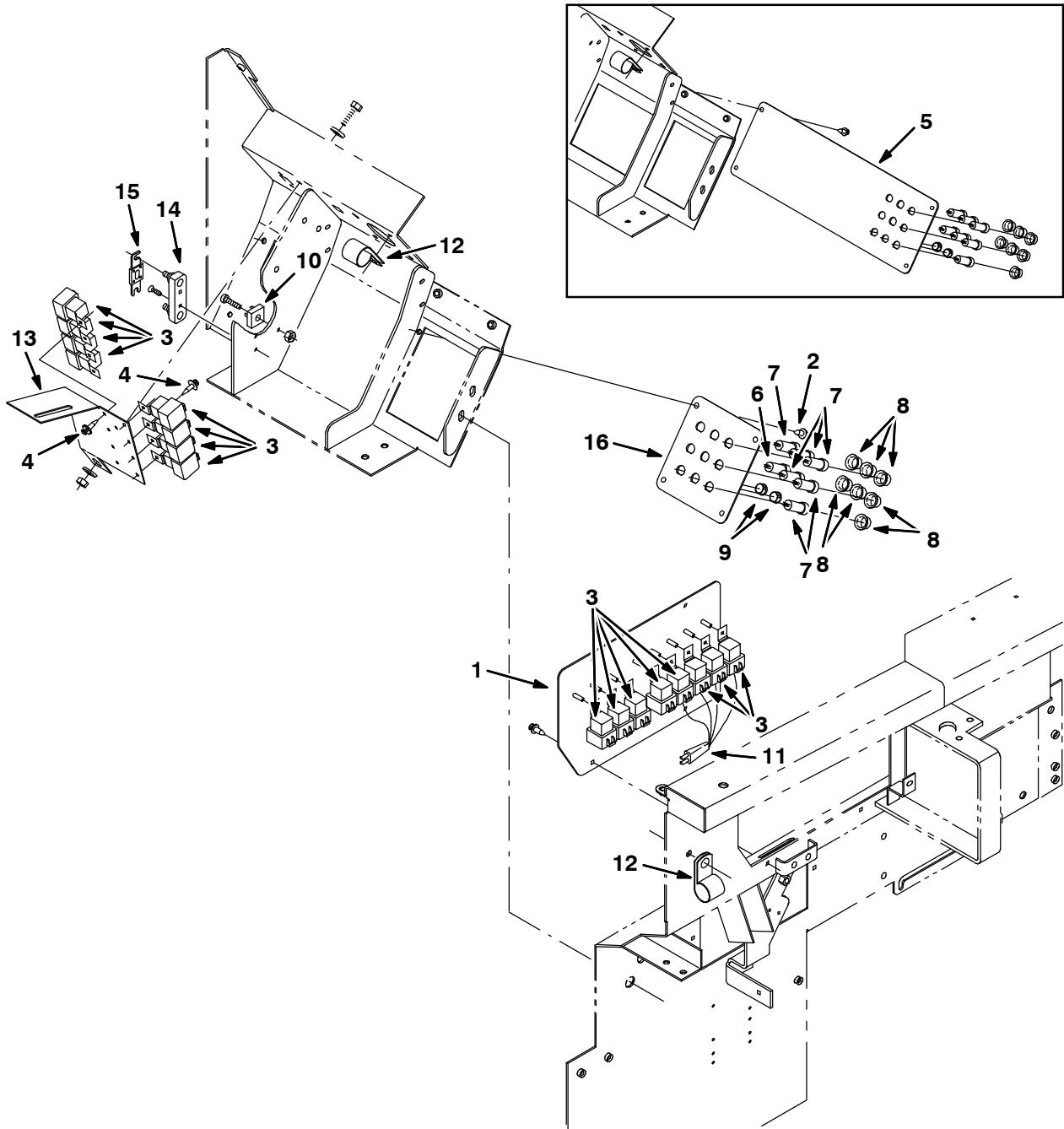


Fig. 60 - Circuit Breaker and Relay Group

Ref.	TENNANT Part No.	Machine Serial Number	Description	Qty.
1	73178	(000000-) Plate, Relay	1
2	72971	(000000-) Rivet, Plastic .325Dx.787	8
3	56186	(000000-) Relay, Shrouded, 12 Vdc	16
4	72970	(000000-) Rivet, Plastic .250Dx.898	8
5	73058	(000000- xxxxxx)	Plate, Circuit Breaker	1
6	57164	(000000-) Breaker-Circuit 10 Resetable	1
7	57803	(000000-) Breaker-Circuit, 15A Resetable	6
8	57751	(000000-) Boot-Circuit Breaker	7
9	57167	(000000-) Plugbtn .62H .03-.12 Blacknyl	2
10	10962	(000000-) Diode, Bridge 12 Amp	1
11	73445	(000000-) Diode Assy	1
12	58366	(000000-) Clamp,Cable 1.25Dia 1.00W Neo	2
13	72792	(000000-) Bracket	1
14	86381	(000000-) Block, Fuse	1
15	87319	(000000-) Fuse, 40 Amp	1
16	10612	(xxxxxx-) Plate, Circuit Breaker	1

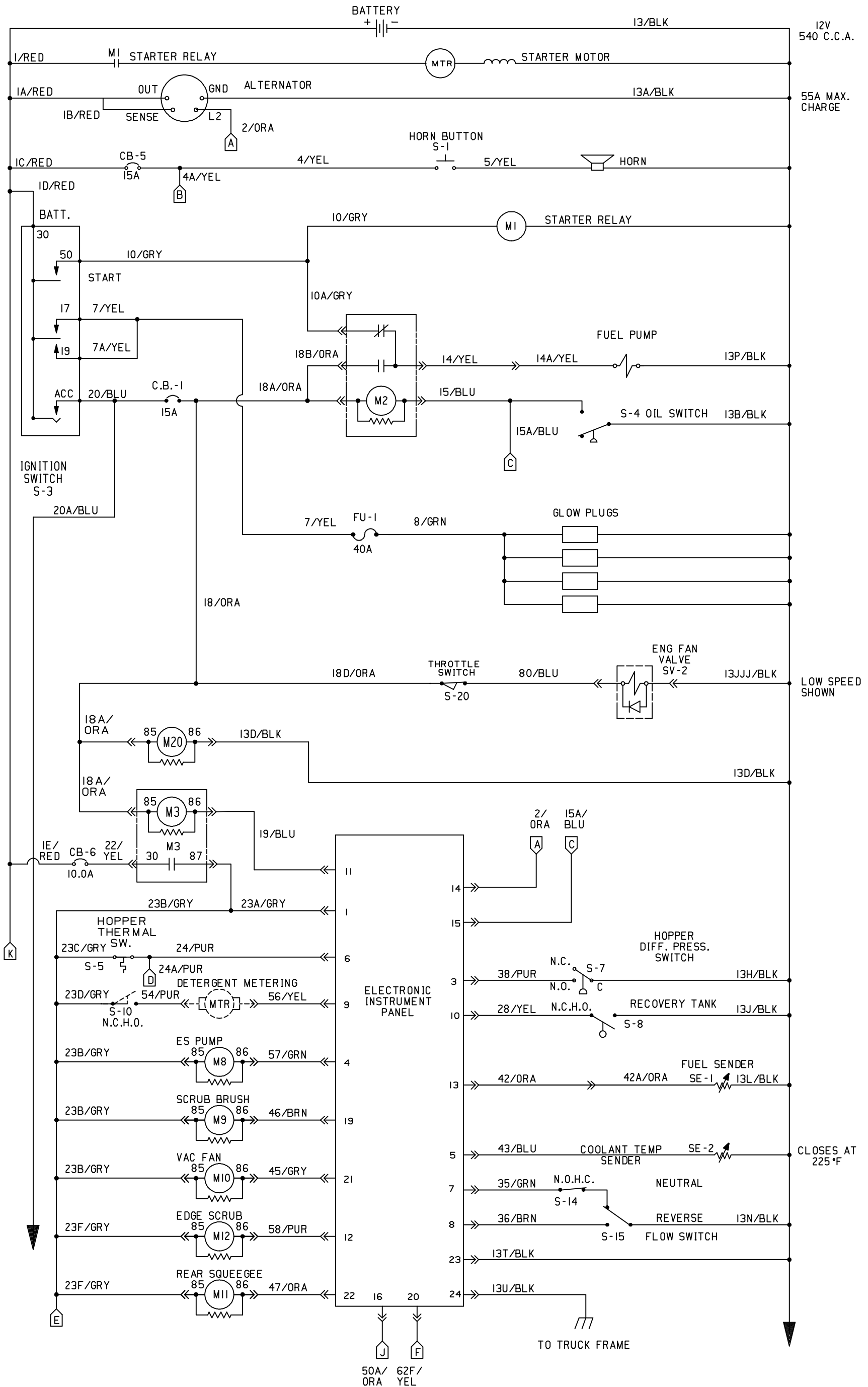


Fig. 61 - Electrical Schematic

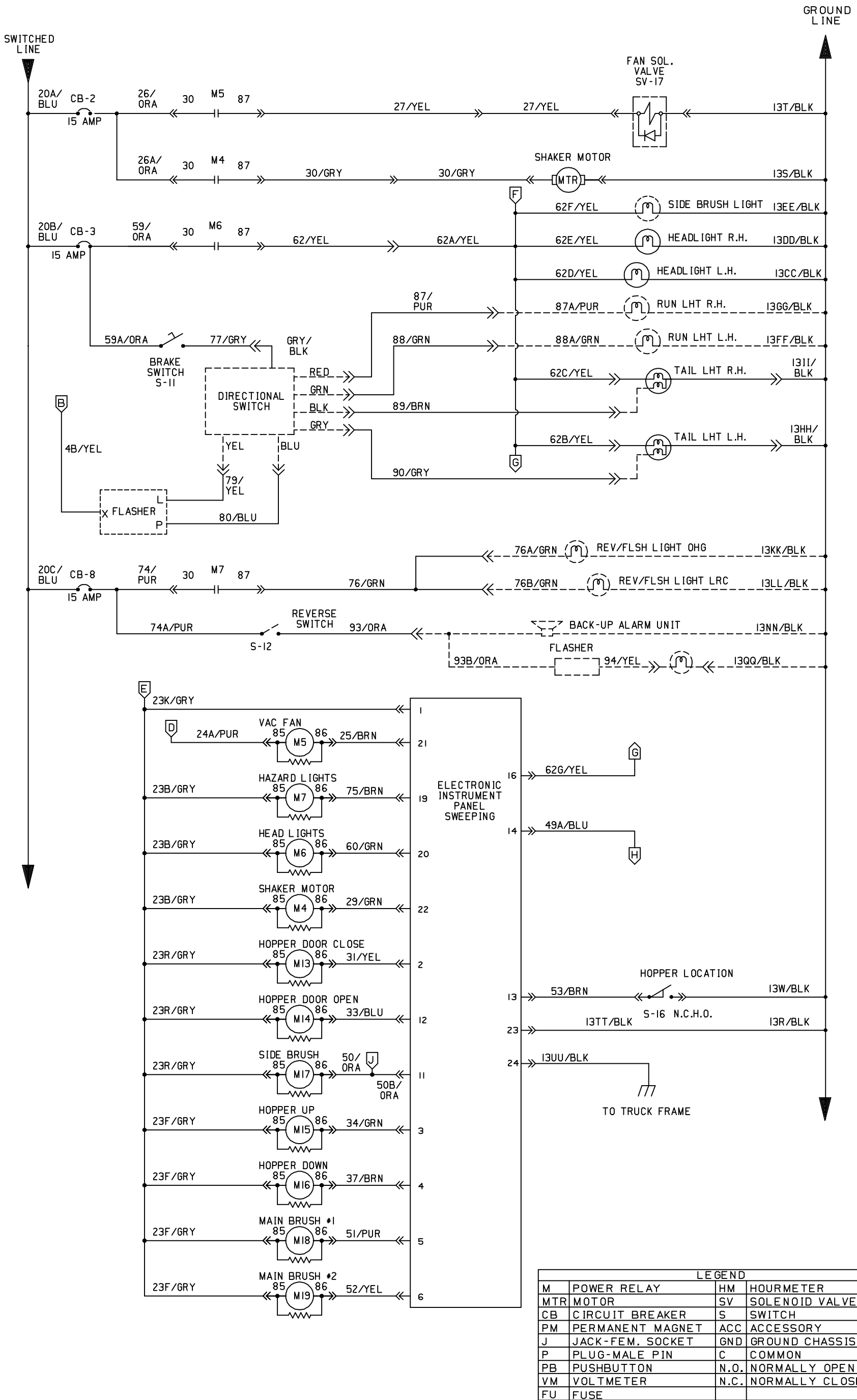


Fig. 61 - Electrical Schematic

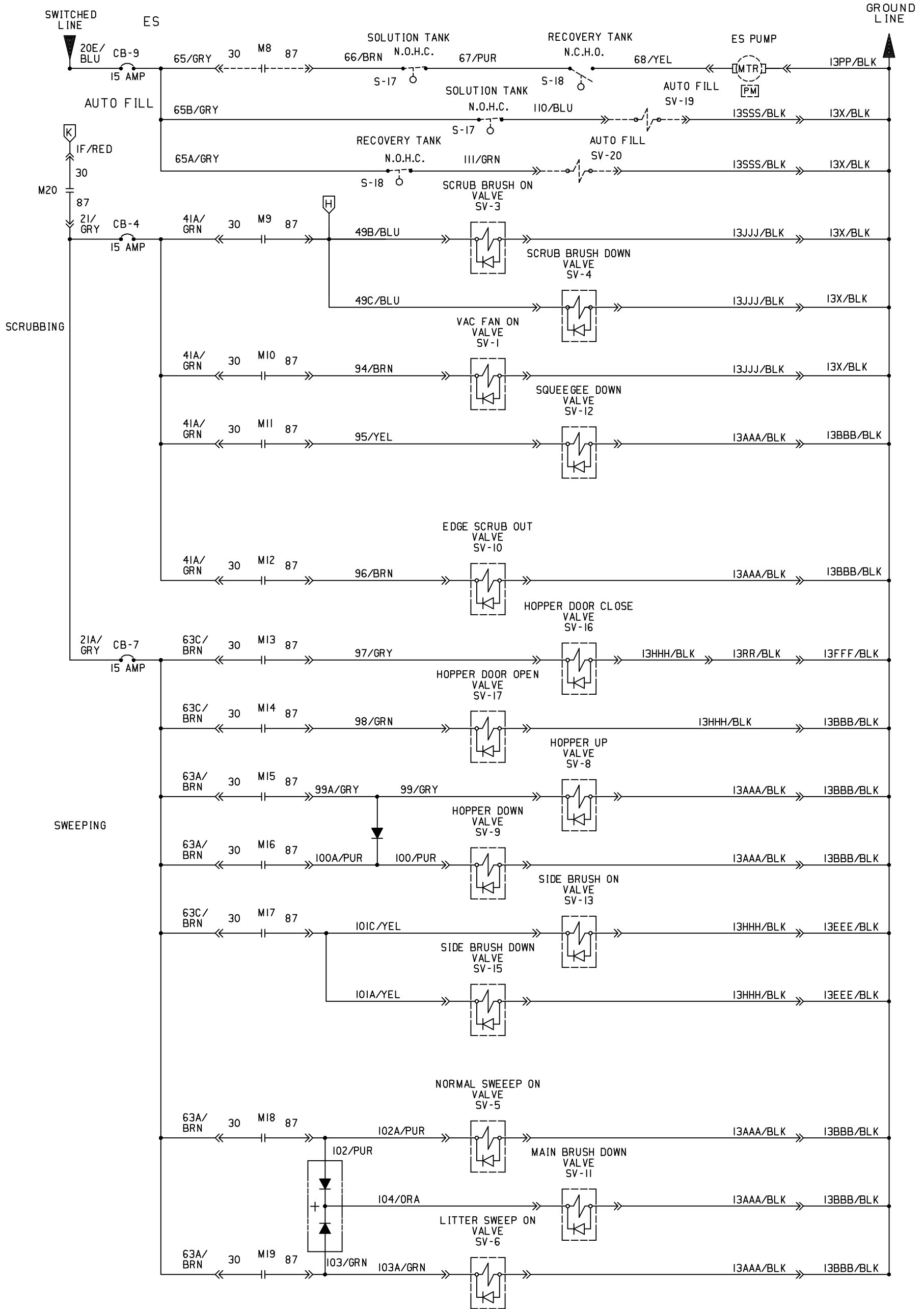
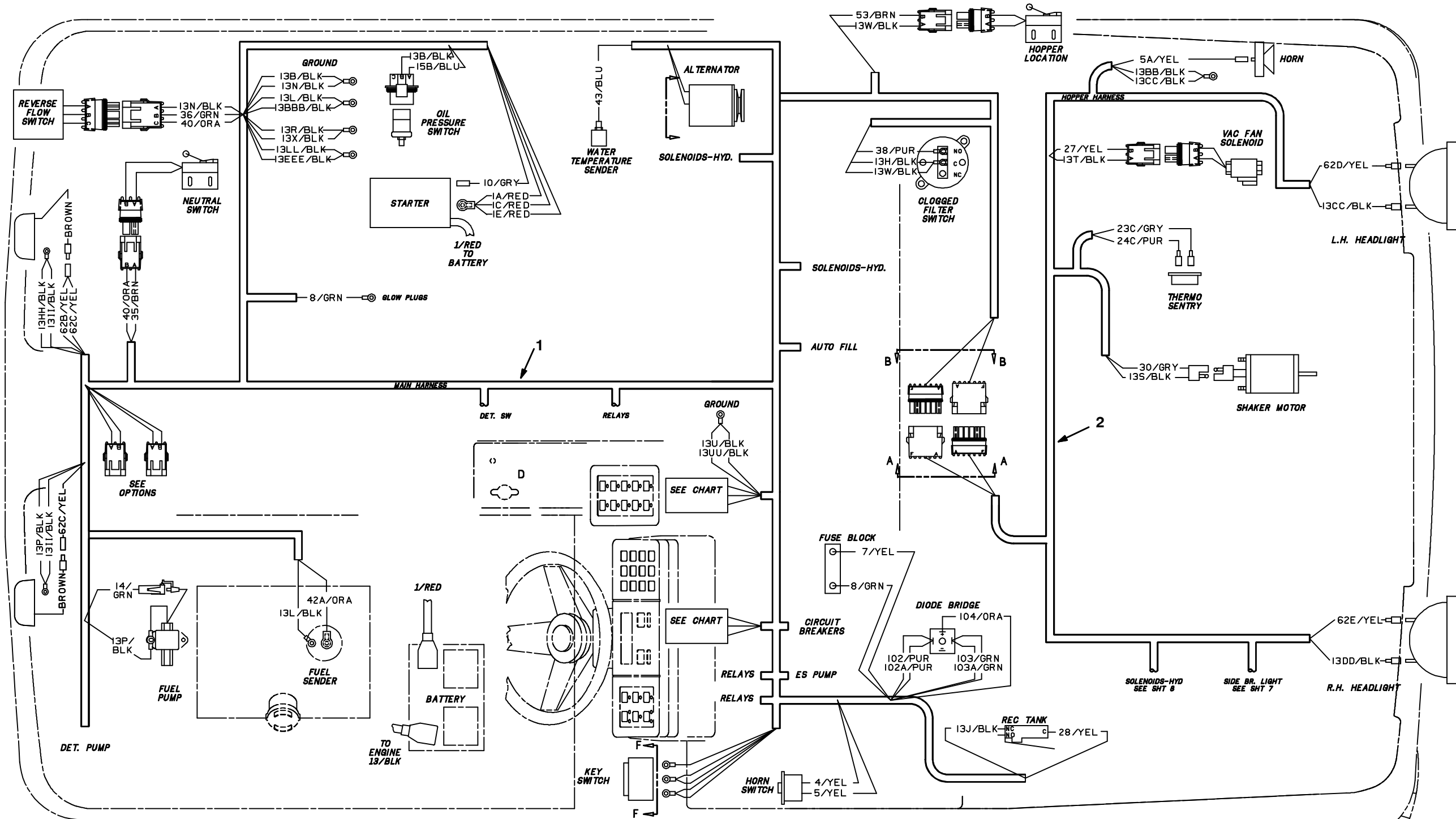
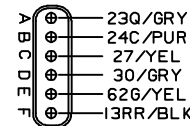
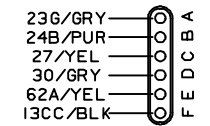
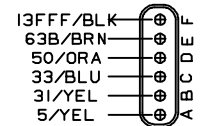


Fig. 61 - Electrical Schematic

Fig. 62 - Wire Harness Group



MAIN HARNESS VIEW B-B



HOPPER HARNESS VIEW A-A

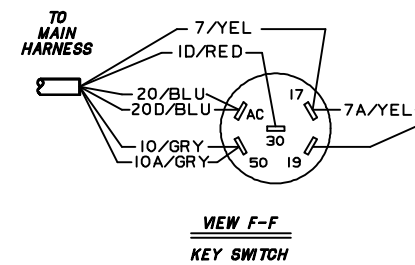
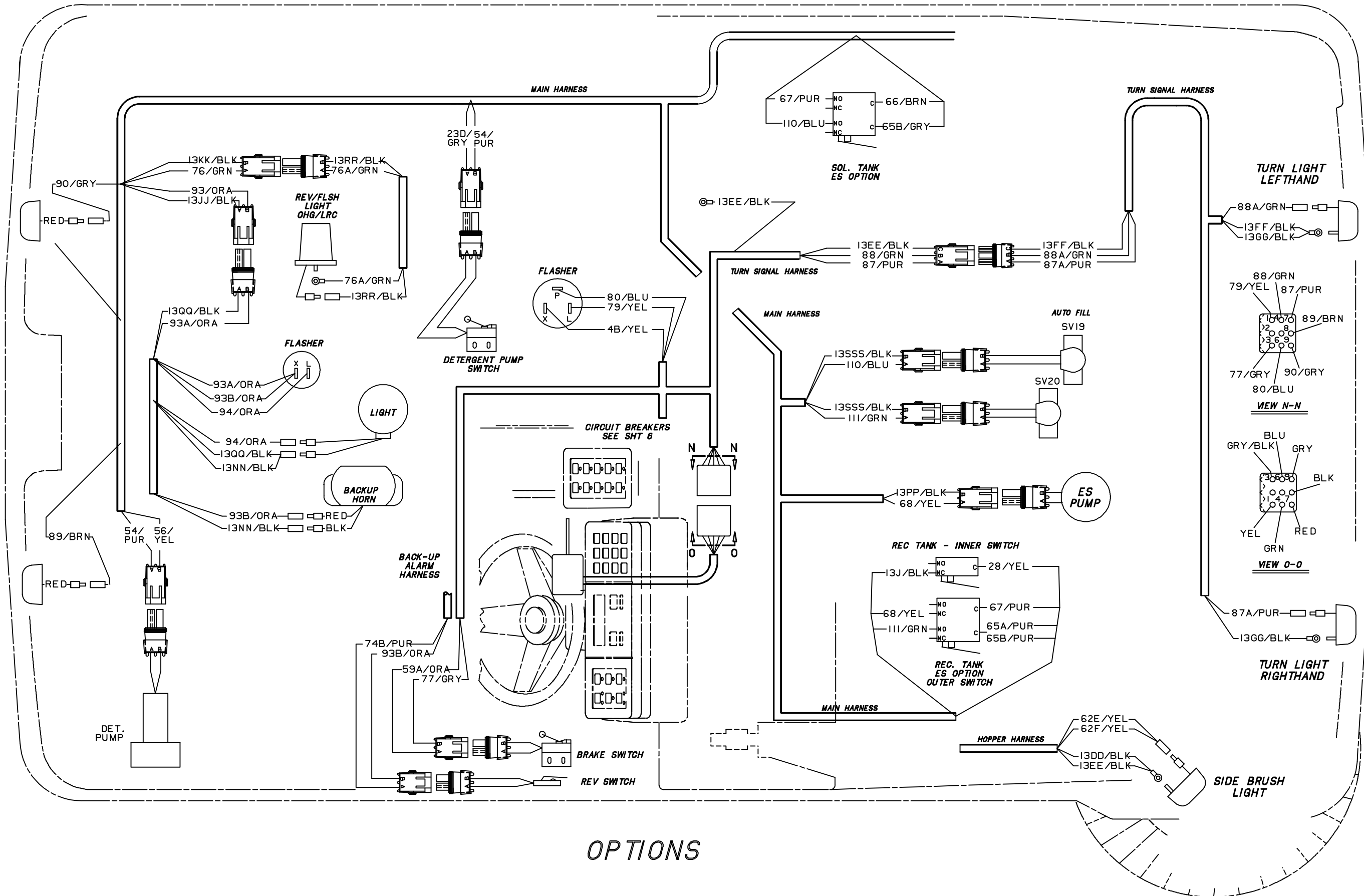
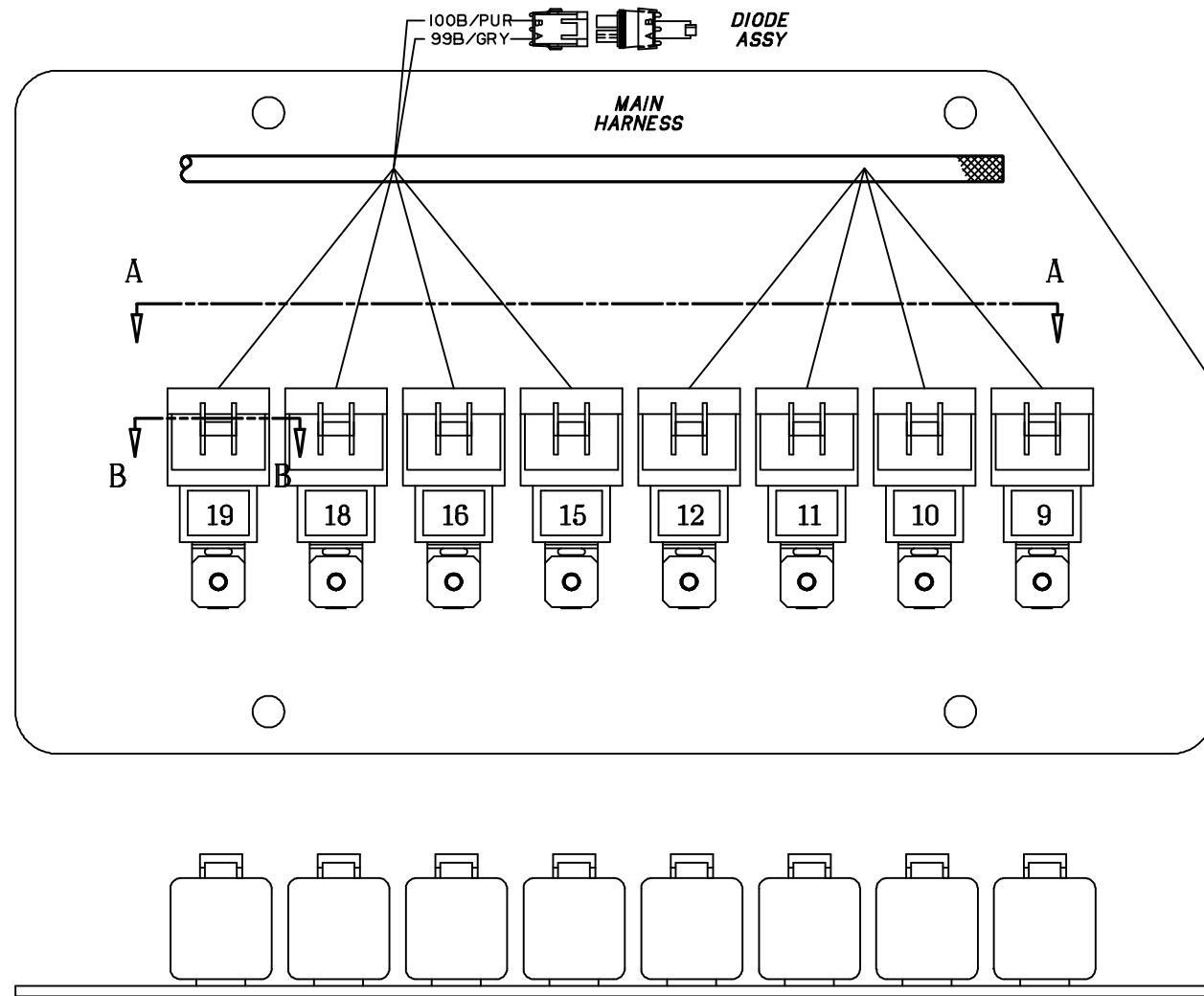
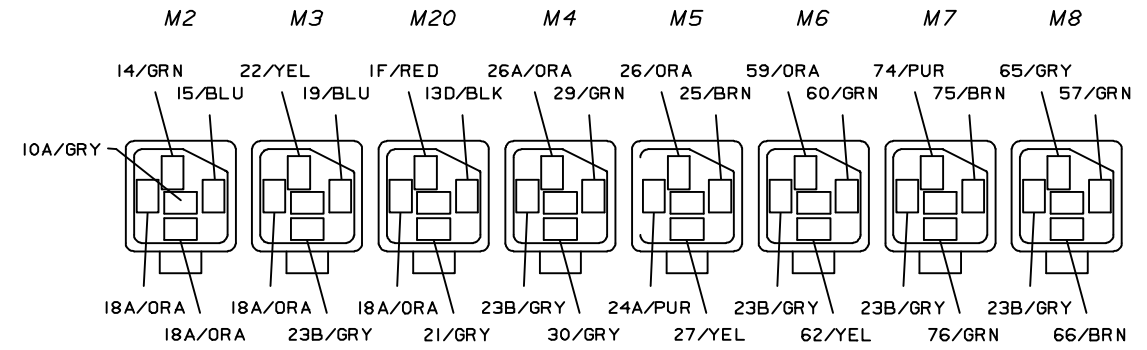
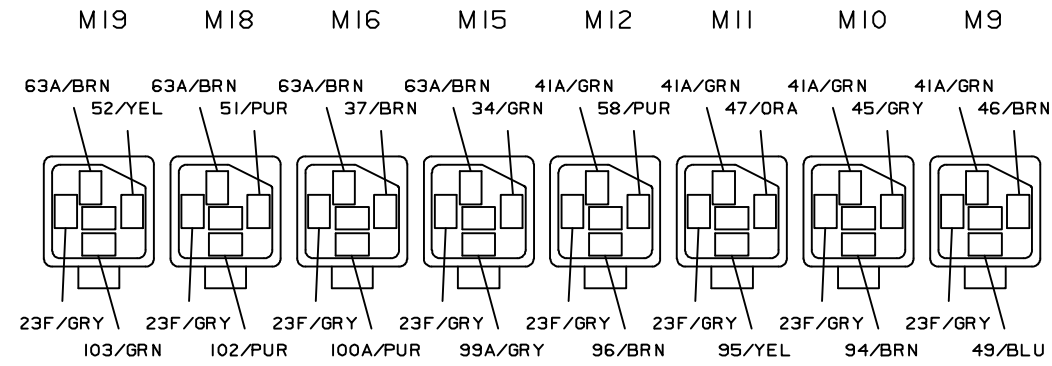


Fig. 62 - Wire Harnesses Group



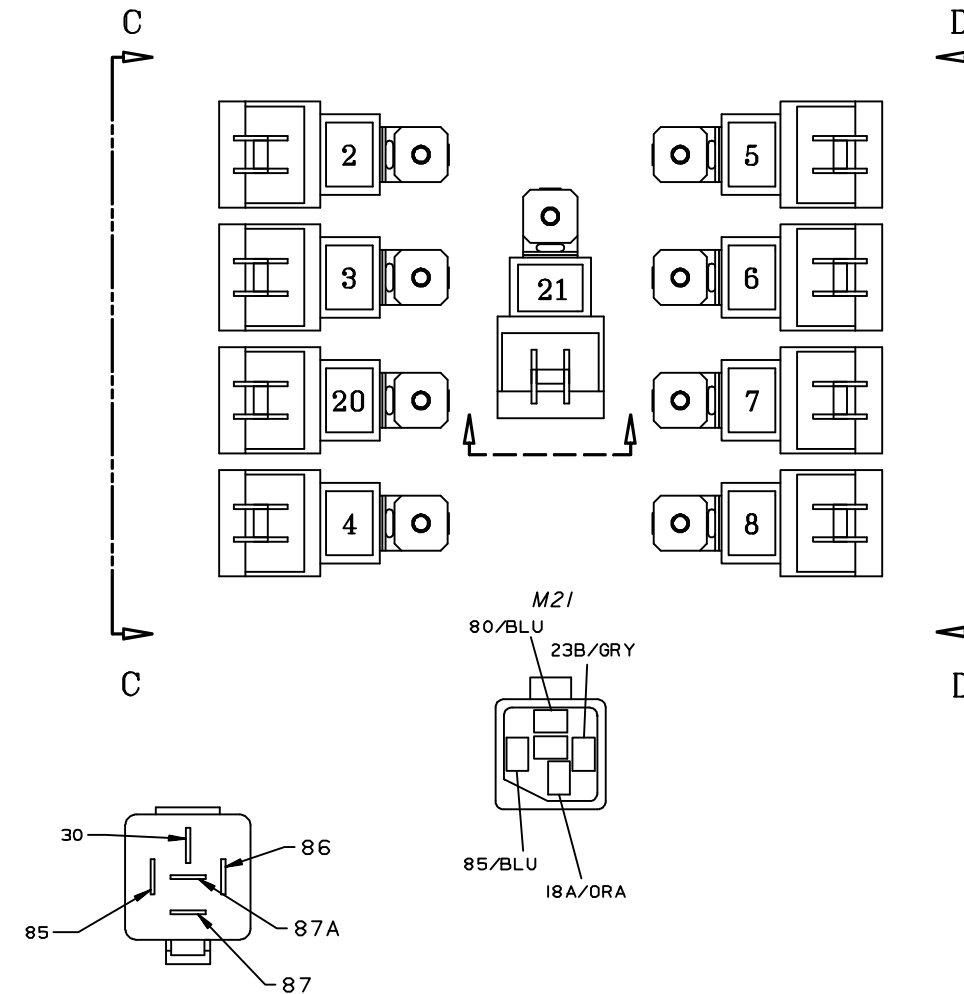
OPTIONS

Fig. 62 - Wire Harness Group



VIEW C-C
ROTATED

VIEW D-D
ROTATED



RELAYS

- | | |
|--------------------------------|--|
| M2 FUEL PUMP | M10 VAC FAN SOLENOID (SCRUBBING) |
| M3 INSTRUMENT PANELS | M11 REAR SQUEEGEE SOLENOID |
| M4 SHAKER MOTOR | M12 EDGE SCRUB SOLENOID |
| M5 VAC FAN SOLENOID (SWEEPING) | M15 HOPPER UP SOLENOID |
| M6 HEAD LIGHTS | M16 HOPPER DOWN SOLENOID |
| M7 HAZAARD LIGHTS | M18 MAIN BRUSH SOLENOID - NORMAL |
| M8 ES PUMP | M19 MAIN BRUSH SOLENOID - LITTER |
| M9 SCRUB BRUSH SOLENOID | M20 POWER TO SCRUB (CB 4) & SWEEP (CB 7) FUNCTIONS |
| | M21 ENGINE COOLING FAN |

- 85 COIL +
- 86 COIL -
- 30 COMMON CONTACT
- 87 N.O. CONTACT
- 87A N.C. CONTACT

SECTION B-B

Fig. 62 - Wire Harness Group

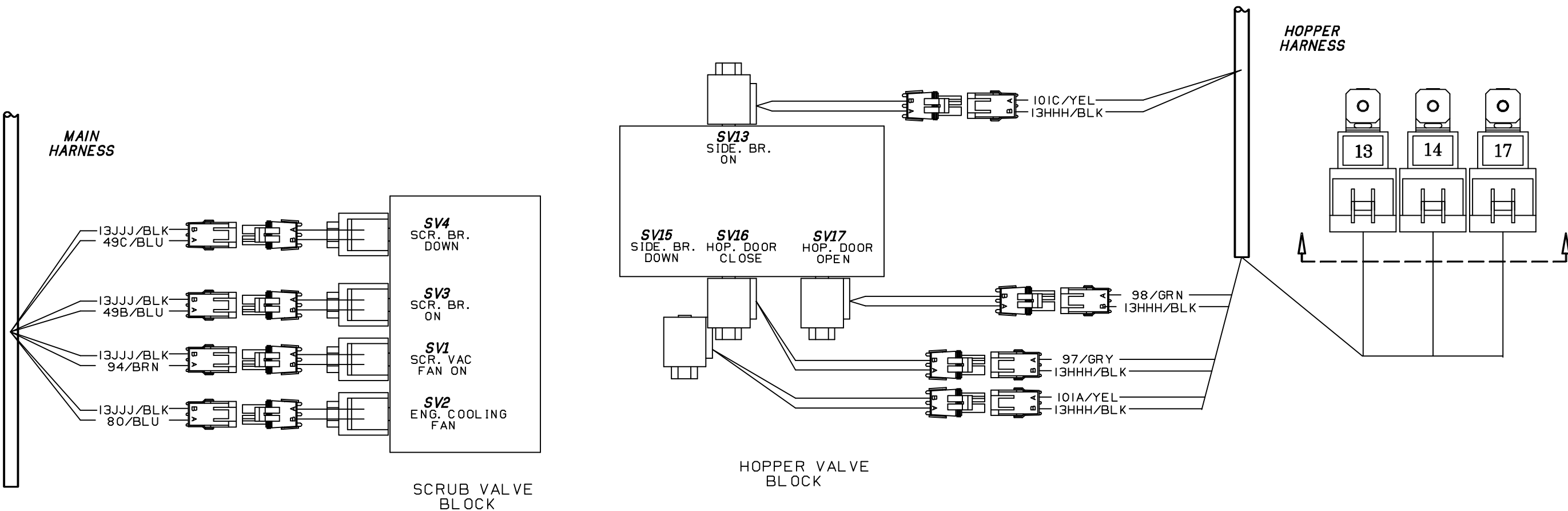
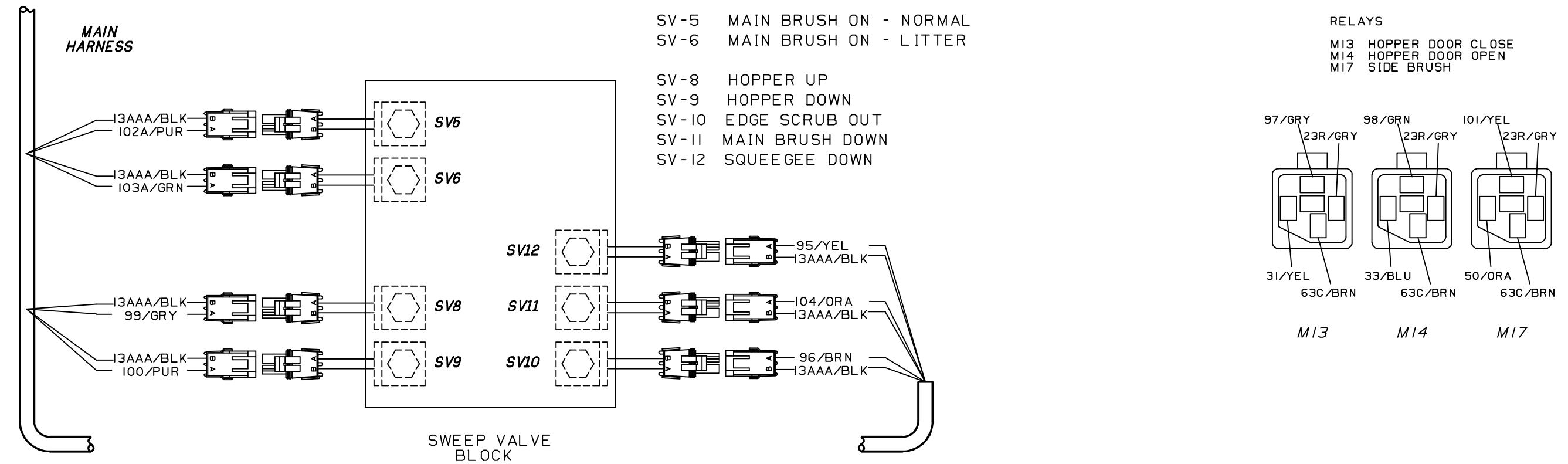
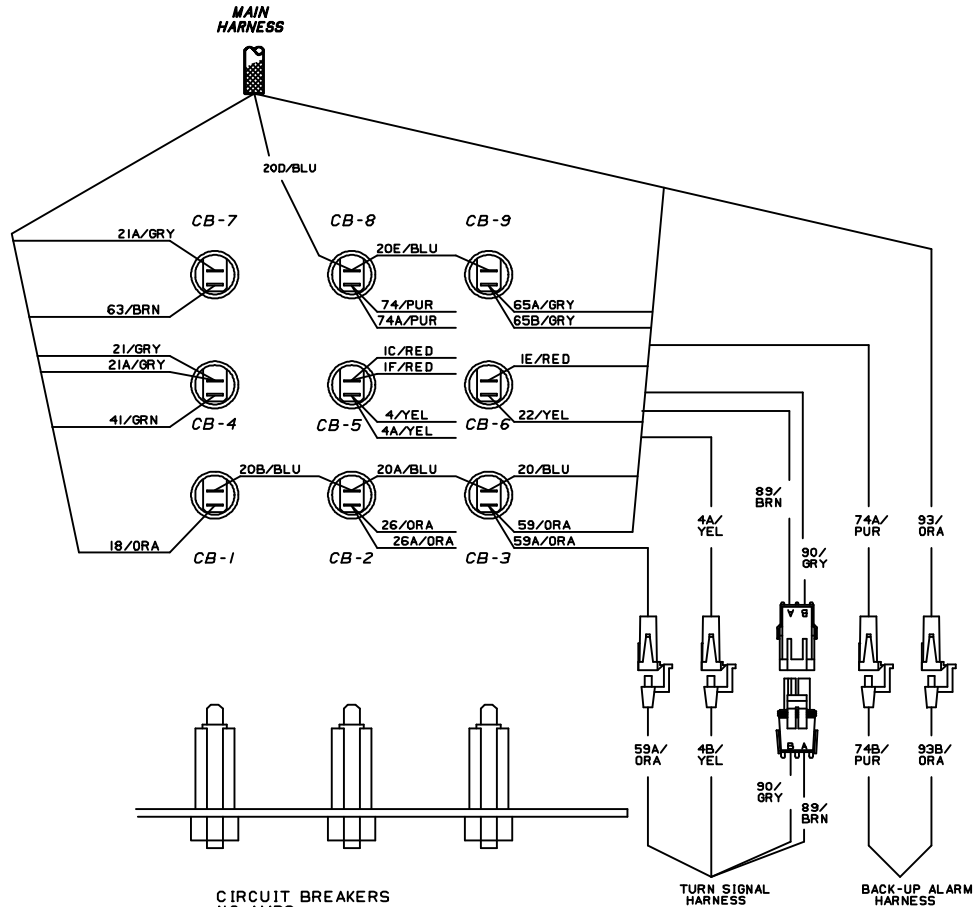


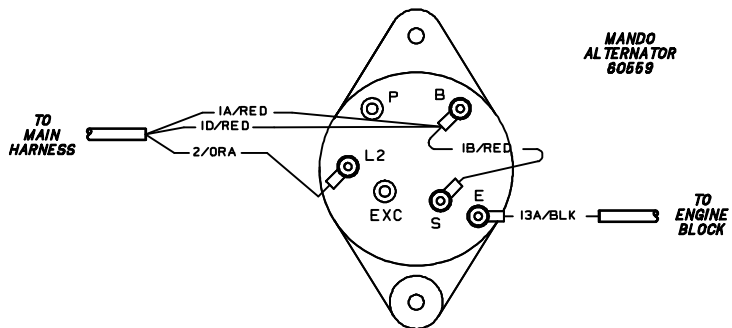
Fig. 62 - Wire Harnesses Group



- CIRCUIT BREAKERS**
 NO AMPS
- 1 15 ENGINE ELECTRICAL
 - 2 15 VAC FAN AND SHAKER
 - 3 15 HEAD LIGHTS - BRAKE LIGHTS
 - 4 15 SCRUB FUNCTIONS
 - 5 15 HORN - TURN SIGNAL
 - 6 10 INSTRUMENT PANELS
 - 7 15 SWEEP FUNCTIONS
 - 8 15 HAZARD LIGHTS/BACKUP ALARM - OPTION
 - 9 15 E.S. PUMP - OPTION

CONNECTOR WIRING

SOC. NO.	CONN. A.	CONN. B.
1	23A/GRY	23K/GRY
2	PLUG	31/YEL
3	38/PUR	34/GRN
4	57/GRN	37/BRN
5	43/BLU	51/PUR
6	24/PUR	52/YEL
7	35/BRN	PLUG
8	36/GRN	PLUG
9	56/YEL	PLUG
10	28/YEL	PLUG
11	19/BLU	50B/OR
12	58/PUR	33/BLU
13	42/OR	53/BRN
14	2/OR	49A/BLU
15	15A/BLU	PLUG
16	50A/OR	62G/YEL
17	PLUG	PLUG
18	PLUG	PLUG
19	46/BRN	75/BRN
20	62F/YEL	60/GRN
21	45/GRY	25/BRN
22	47/OR	29/GRN
23	13T/BLK	13TT/BLK
24	13U/BLK	13UU/BLK



09595/09596

Ref.	TENNANT Part No.	Machine Serial Number	Description	Qty.
1	73204	(000000-)	Harness, Main	1
2	73203	(000000-)	Harness, Hopper	1

Fig. 63 - Label Group

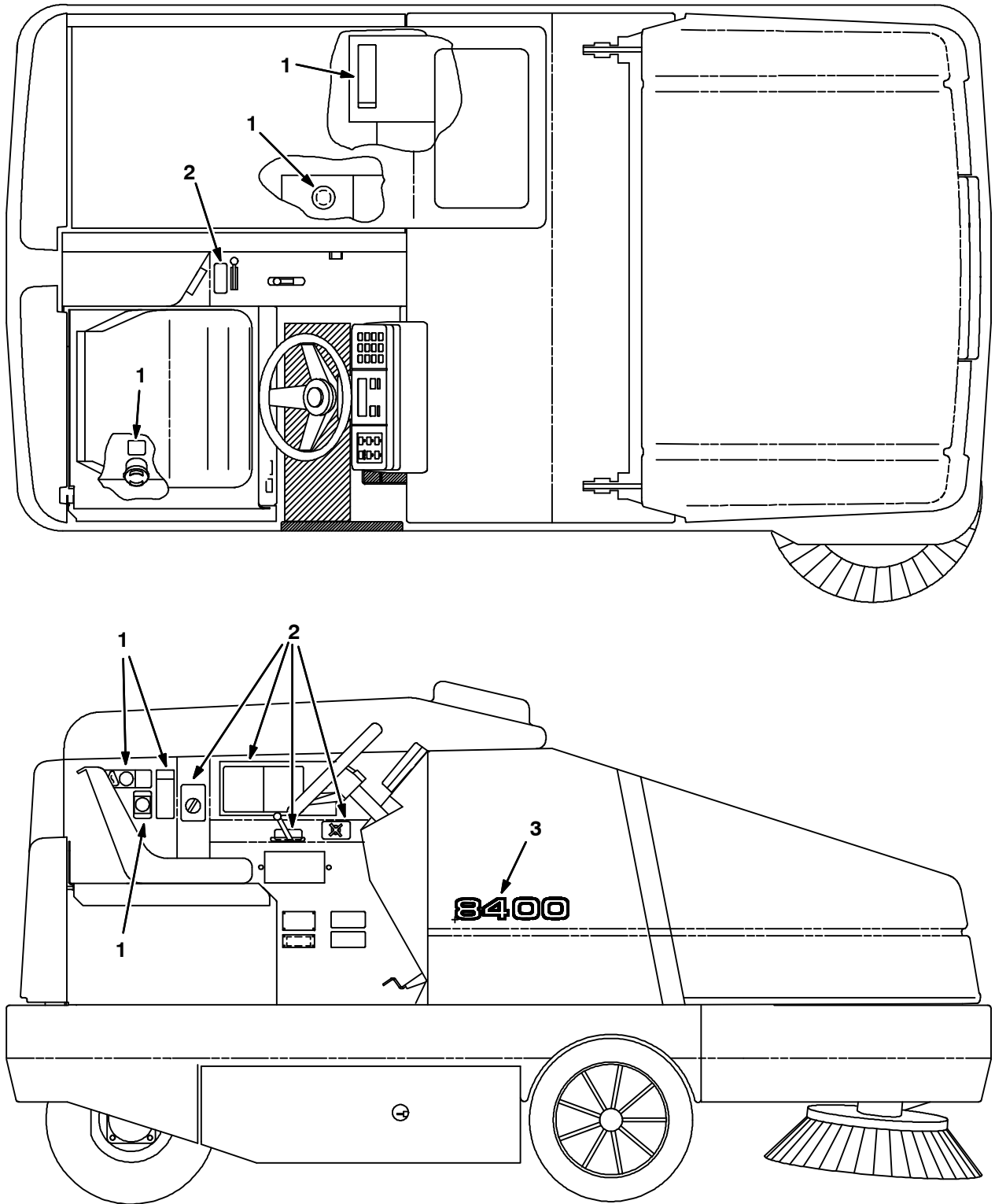


Fig. 63 - Label Group

Ref.	TENNANT Part No.	Machine Serial Number	Description	Qty.
1	77221	(000000-)	Label Set, Info & HZD 8400	1
2	77352	(000000-)	Label Set, Operational 8400	1
3	77350	(000000-)	Label, Numerals 8400	1

SECTION 3

CONTENTS

	PAGE
Fig. 1 – ES™ Autofill Group	3-2
Fig. 2 – ES™ Pump Column Group	3-4
Fig. 3 – ES™ Detergent Tank Group	3-6
Fig. 4 – Signal Light Kit	3-8
Fig. 5 – Flashing Light Kit, Overhead Guard	3-10
Fig. 6 – Revolving Light Kit, Overhead Guard	3-11
Fig. 7 – Flashing Light Kit, LRC	3-12
Fig. 8 – Revolving Light Kit, LRC	3-13
Fig. 9 – Side Brush Light Kit	3-14
Fig. 10 – Back-Up Alarm Kit	3-15
Fig. 11 – Overhead Guard Kit	3-16
Fig. 12 – 87" Overhead Guard Kit	3-17
Fig. 13 – Seat Kit	3-18
Fig. 14 – Seat Mounting Bracket Kit	3-19
Fig. 15 – Seat Belt Kit	3-20
Fig. 16 – Fire Extinguisher Kit	3-21
Fig. 17 – Squeegee Blade Kit	3-22
Fig. 18 – Spark Arresting Muffler Group	3-23
Fig. 19 – Protectoseal Fuel Tank Cap Group	3-24
Fig. 20 – Squeegee Wand Kit	3-25
Fig. 21 – Positive Solution Control Drain System Kit Std	3-26
Fig. 22 – Positive Solution Control Drain System Kit ES	3-27
Fig. 23 – Drip Tray Group	3-28
Fig. 24 – Vacuumized Skirt Kit, Main Brush	3-29
Fig. 25 – Side Brush Dust Control Kit	3-30
Fig. 26 – Side Squeegee Kit SE	3-32
Fig. 27 – Demo Kit	3-34
Fig. 28 – Air Filter Safety Element Kit	3-36
Fig. 29 – Documentation Group	3-37

Fig. 1 – ES™ Autofill Group

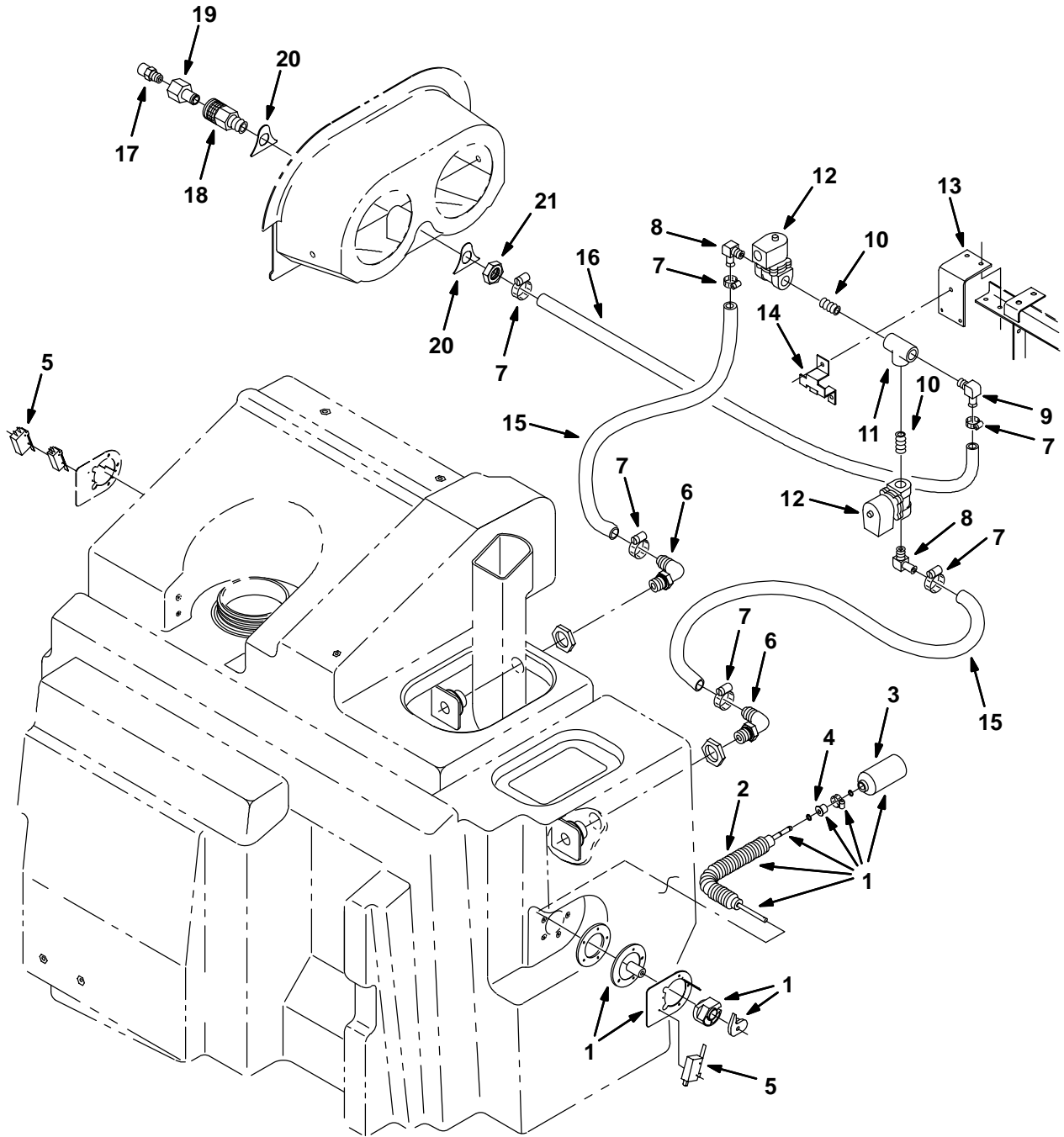


Fig. 1 – ES™ Autofill Group

Ref.	TENNANT Part No.	Machine Serial Number	Description	Qty.
▽ 1	73147	(000000–)	Level Sensing Assy	1
▲ 2	73145	(000000–)	Bellows, .75 Id 10.3L	1
▲ 3	50238	(000000–)	Float Bottle	1
▲ 4	50256	(000000–)	Plug, Float	1
5	41407	(000000–)	Switch Micro 15 Amp Dpdt	2
6	73468	(000000–)	Fitting–Pls E90	2
7	86824	(000000–)	Clamp–Wormdrive 0.50–1.06D	6
8	30268	(000000–)	Ftg Brs E90	2
9	48697	(000000–)	Fitting–Brs	1
10	11442–3	(000000–)	Ftg,Pipe,Nip.Close 0.50Pt.Blk	2
11	79497	(000000–)	Ftg,Plstc,Tee.50–.50–.50Pipe	1
12	73433	(000000–)	Valve, Solenoid, 12V Dc	2
13	73429	(000000–)	Bracket, Valve	1
14	15965	(000000–)	Plate Bent	1
15	73472	(000000–)	Hose, Vinyl Clr, .62ldx 18.0Lg	2
16	73478	(000000–)	Hose, Vinyl Clr, .75ldx 65.0Lg	1
17	33294	(000000–)	Ftg, Plastic 1/2 Nptm Chnf Fitting, Brass	1
18	10678	(000000–)	Fitting, Bulkhead Fem,	1
19	33295	(000000–)	Ftg Qkdisc, Male	1
20	10672	(000000–)	Plate, Backup	2
21	48988	(000000–)	Nut–Hx Jam 1.00–14 Pltd	1

Fig. 2 – ES™ Pump Column Group

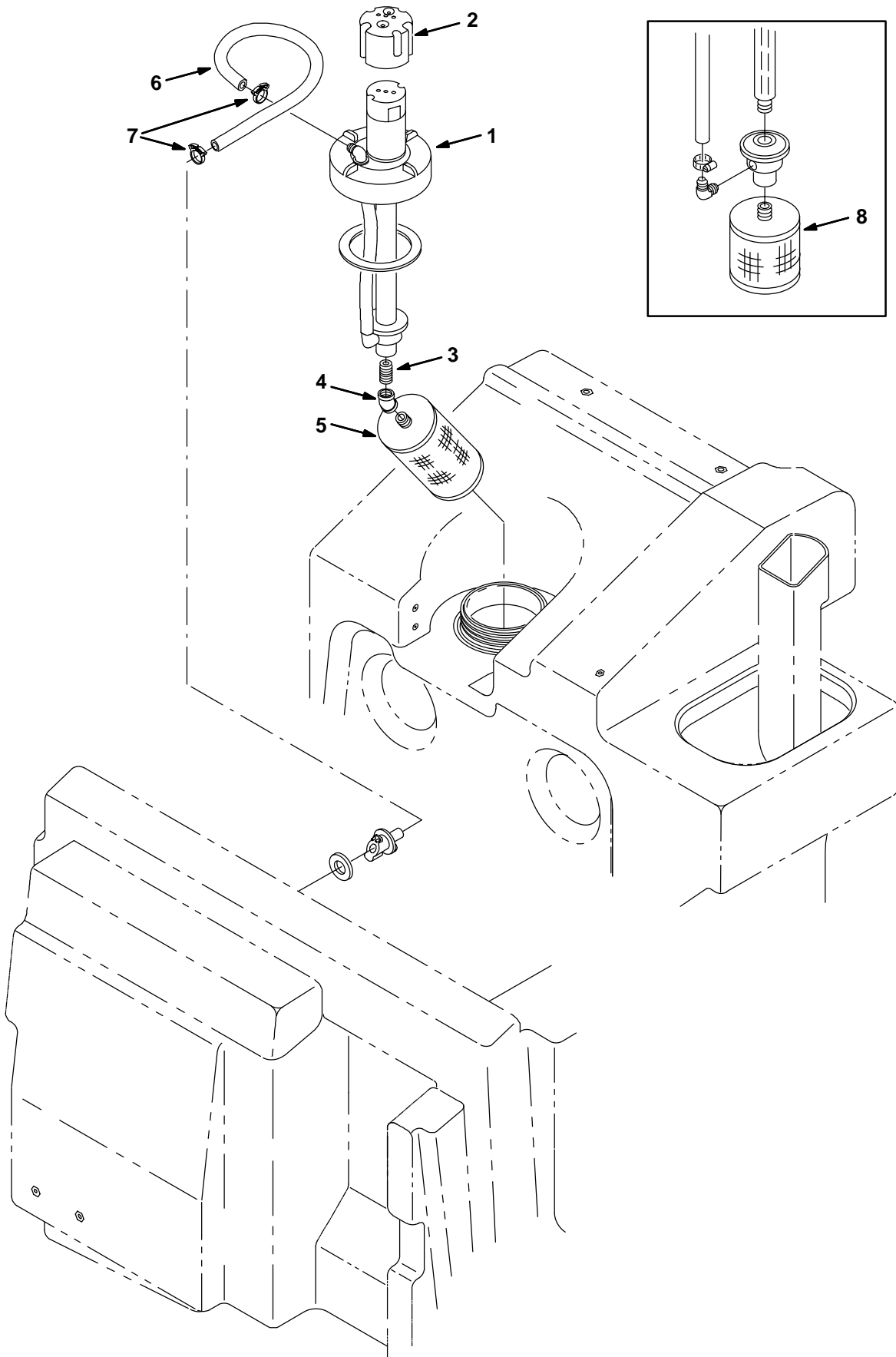


Fig. 2 – ES™ Pump Column Group

Ref.	TENNANT Part No.	Machine Serial Number	Description	Qty.
1	72955	(000000–)	Pump, Column, Es	1
2	77237	(000000–)	Cover, Motor	1
3	69784	(010215–)	Ftg,Plstc,Nip. 0.75Ptx 1.68Lg	1
4	10575	(010215–)	Fitting–Plastic E45 12Pf–12Pf	1
5	10573	(010215–)	Screen, Sol, Dbl Cylindrical	1
6	71167	(000000–)	Hose, Pump	1
7	71168	(000000–)	Clamp, Hose, Plastic	2
8	10577	(000000– 010214)	Filter Replmt Kit, ES™	1

Fig. 3 – ES™ Detergent Tank Group

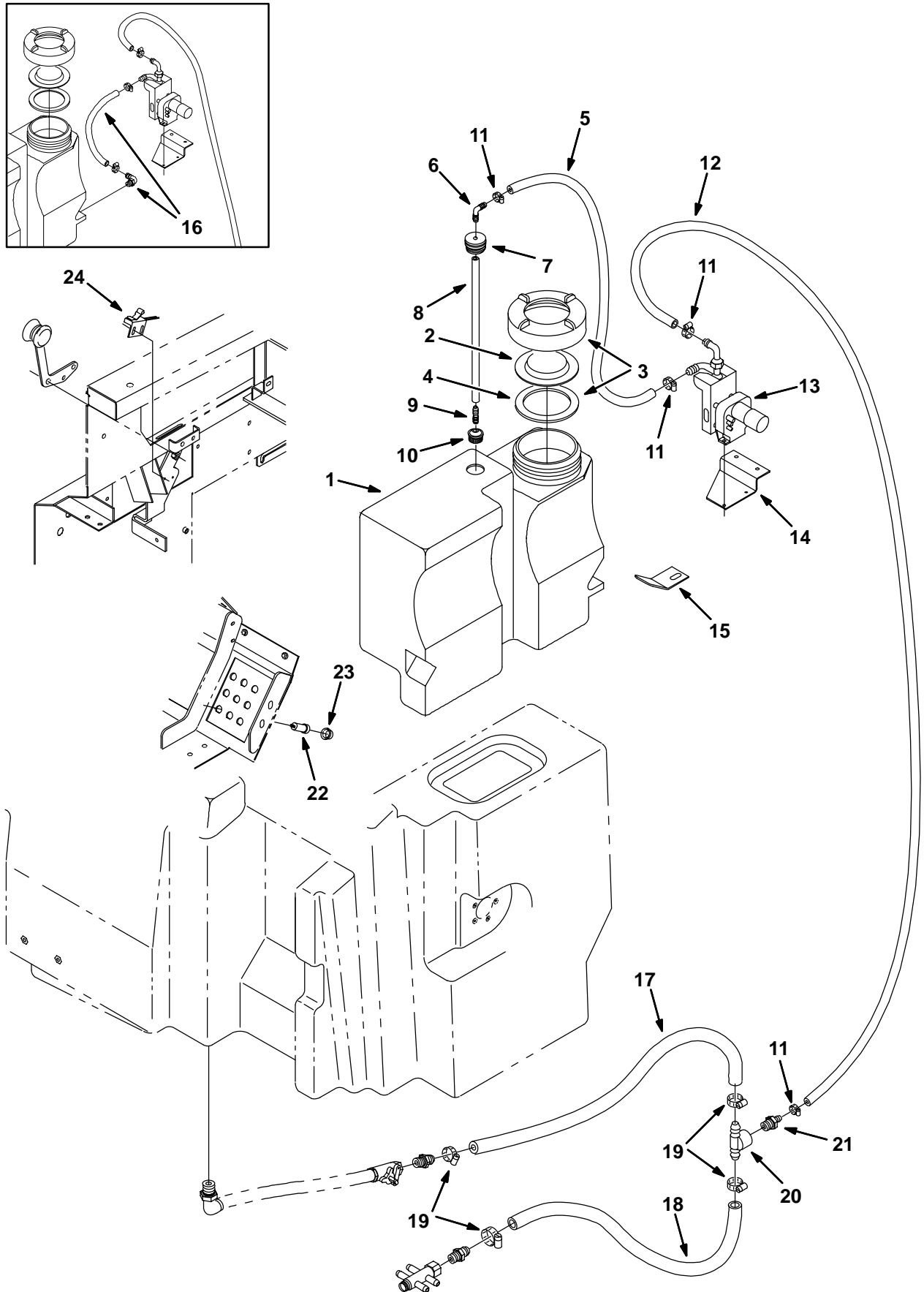


Fig. 3 – ES™ Detergent Tank Group

Ref.	TENNANT Part No.	Machine Serial Number	Description	Qty.
1	72991	(000000–)	Tank, Detergent Rep.	1
2	86636	(000000–)	Cover Lid	1
▽ 3	24358	(000000–)	Cap Tank	1
▲ 4	86579	(000000–)	Gasket, Lid	1
5	22787	(000000–)	Hose, Vinyl, CI Nyre .38ldx28L	1
6	20951	(000000–)	Fitting–Barb,90Deg,3/8 Id Hose	1
7	20944	(000000–)	Grommet, Detergent Tank	1
8	22786	(000000–)	Hose, Vinyl, CI Nyre .38ldx21L	1
9	20950	(000000–)	Fitting–Barb, Strt 3/8 Id Hose	1
10	20952	(000000–)	Screen, Pump, Detergent	1
11	43844	(000000–)	Clamp–Wormdrive, 0.25– 0.62D	4
12	73471	(000000–)	Hose, Vinyl, Clear	1
13	73260	(000000–)	Pump, Detergent Metering	1
14	72990	(000000–)	Bracket, Metering Pump	1
15	72989	(000000–)	Bracket, Detergent Tank	1
16	22789	(000000– xxxxxx)	Screen, Detergent Tank Kit	1
17	73475	(000000–)	Hose, Vinyl,Clr, .75ldx 19.Lg	1
18	73476	(000000–)	Hose, Vinyl Clr, .75ldx 30.0Lg	1
19	86824	(000000–)	Clamp–Wormdrive 0.50–1.06D	4
20	76075	(000000–)	Ftg,Plstc,Tee,Barb.75–.75–.75	1
21	73467	(000000–)	Fitting–Pls Str	1
22	57803	(000000–)	Breaker–Circuit, 15A Resetable	1
23	57751	(000000–)	Boot,Circuit Breaker	1
24	59962	(000000–)	Switch, Roller	1

Fig. 4 – Signal Light Kit

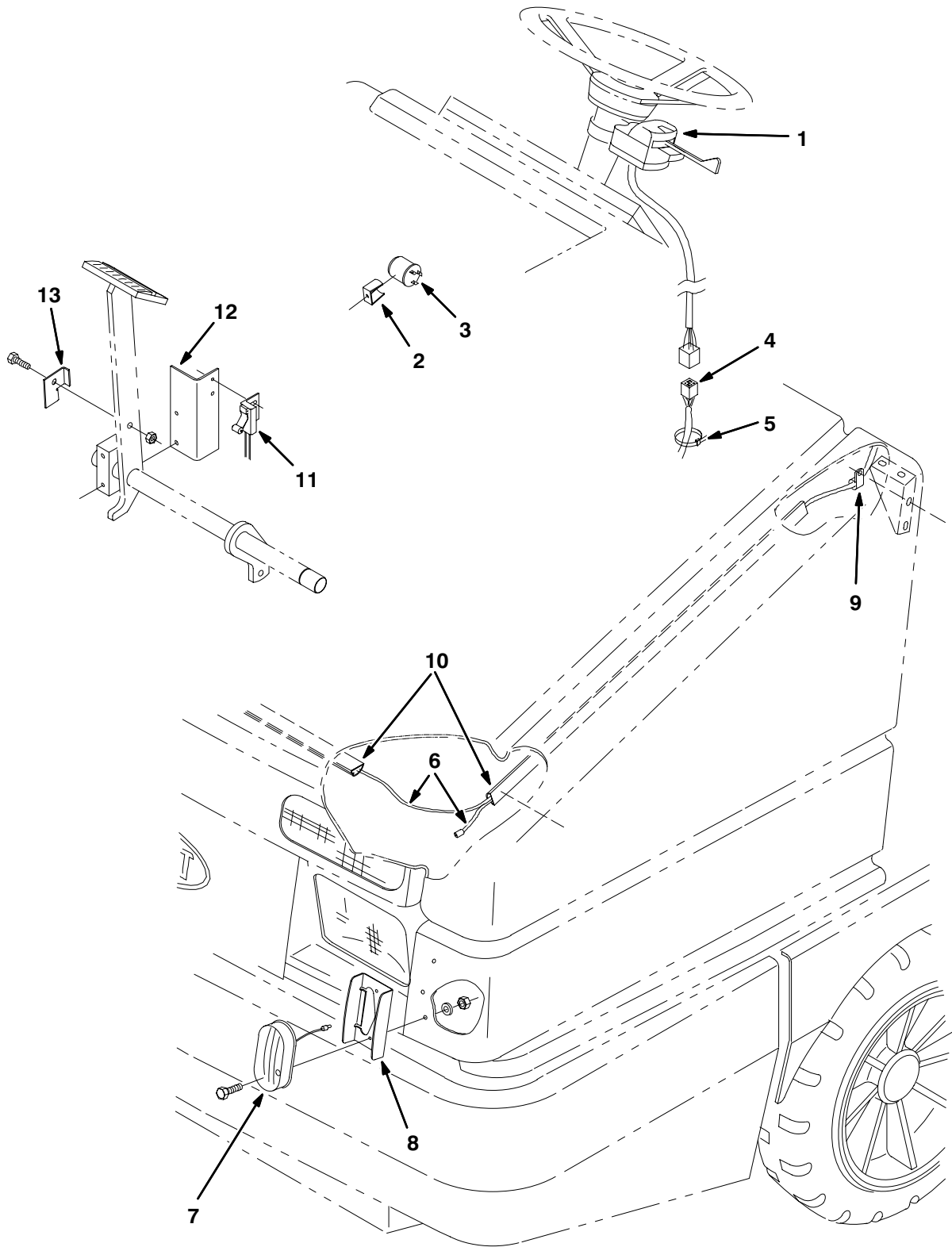
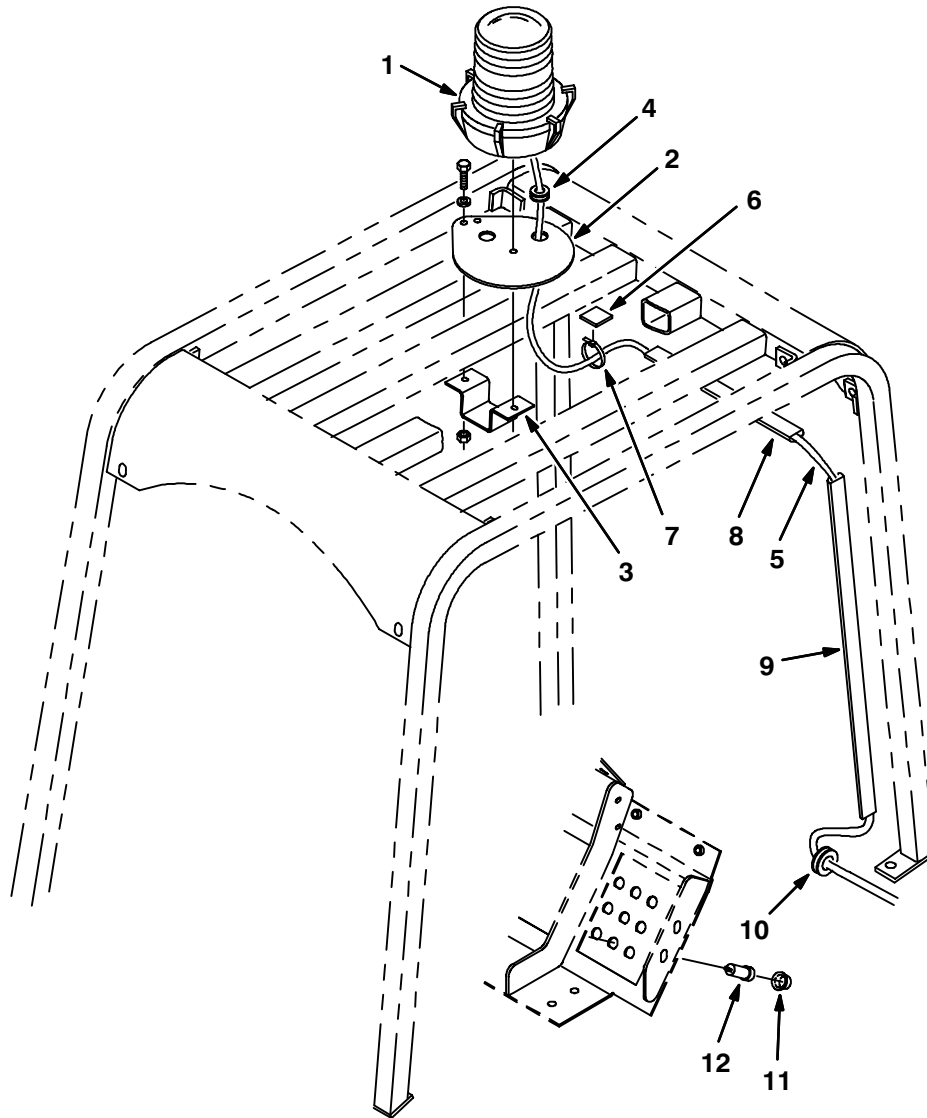


Fig. 4 – Signal Light Kit

Ref.	TENNANT Part No.	Machine Serial Number	Description	Qty.
▽	73455	(000000–)	Light Kit Signal	1
▲▽ 1	60751	(000000–)	Signal Turn	1
▲▲	48570	(000000–)	Bulb, 12V .1A 01Cp #53	1
▲ 2	24576–1	(000000–)	Bracket, Flasher	1
▲ 3	31922	(000000–)	Flasher Heavy Duty	1
▲ 4	73440	(000000–)	Harness, Turn Signal	1
▲ 5	49266	(000000–)	Tie, Cable 1.75D Max 7.50Lg	6
▲ 6	60284	(000000–)	Harness, Turn Signal	1
▲▽ 7	34848	(000000–)	Light Assy Mark/Yel 12V– . A	2
▲▲	87948	(000000–)	Bulb, 12V .27A 2Cp #194	1
▲ 8	72178	(000000–)	Bracket, Light, Sbdc	2
▲ 9	40678	(000000–)	Clamp,Cable .44D .62Wide	1
▲ 10	86332	(000000–)	Duct, Vinyl .40X.75X26.0 .25D	2
▲ 11	59962	(000000–)	Switch, Roller	1
▲ 12	73425	(000000–)	Bracket, Switch	1
▲ 13	78935	(000000–)	Bracket	1

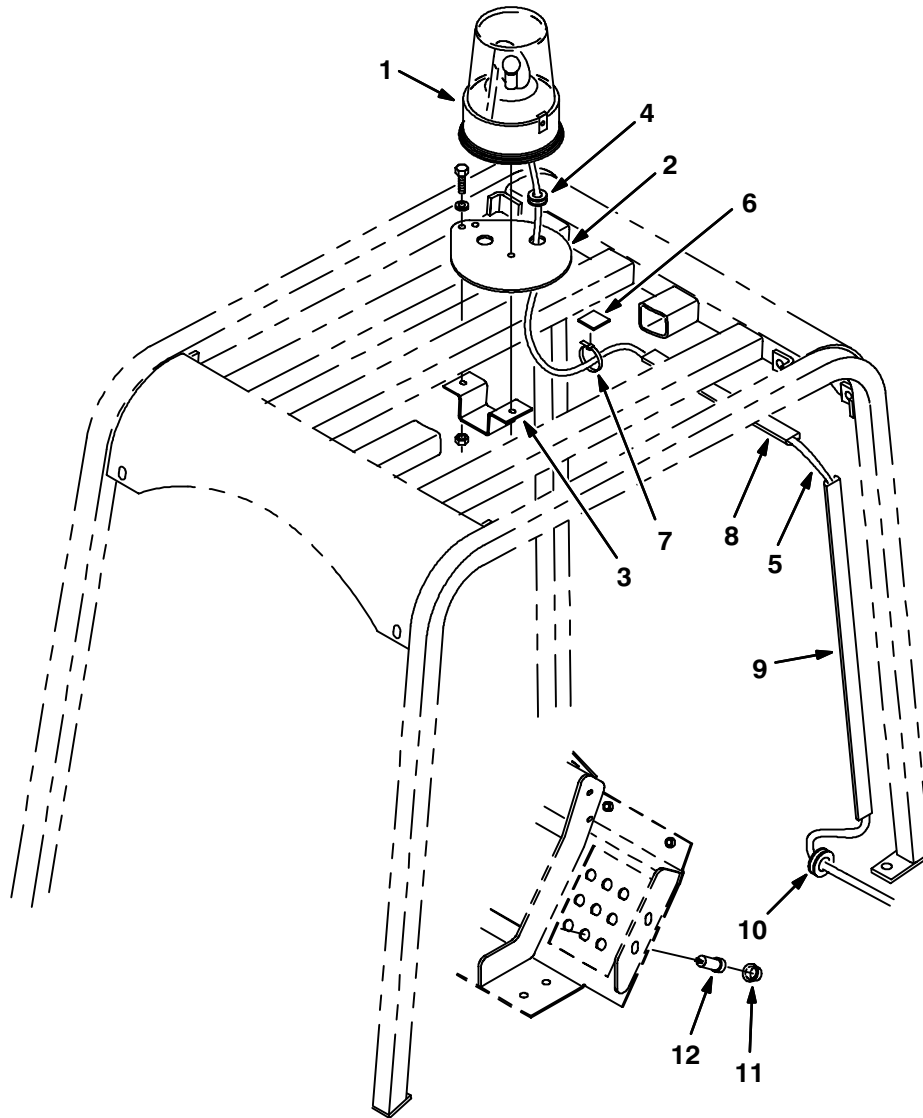
Fig. 5 – Flashing Light Kit, Overhead Guard



09679/09680

Ref.	TENNANT Part No.	Machine Serial Number	Description	Qty.
▽	73457	(000000-)	Light Kit Flsh Ohg	1
▲▽ 1	82063	(000000-)	Light, Flashing, Amber, 12V-Re	1
▲▲	58520	(000000-)	Lens,Flashing Lite Fr207 Amber	1
▲▲	45779	(000000-)	Bulb, General Electric	1
▲ 2	57220	(000000-)	Plate, Light Mtg.	1
▲ 3	59447	(000000-)	Bracket, Mtg, Light, Ohg	1
▲ 4	10632-2	(000000-)	Grommet,Rbr,0.63ld,For .13Matl	1
▲ 5	60288	(000000-)	Harness, Revolv Light, Cab,Ohg	1
▲ 6	55248	(000000-)	Cabletie Mount, Adhesive	5
▲ 7	49266	(000000-)	Tie, Cable 1.75D Max 7.50Lg	8
▲ 8	86330	(000000-)	Duct, Vinyl 10.0 In	2
▲ 9	78732	(000000-)	Duct, Vinyl 19.0 In.	1
▲	72114	(000000-)	Duct, Vinyl 6.0 In.	1
▲ 10	10632-18	(000000-)	Grommet, Rbr, 0.69 ID	1
▲ 11	57751	(000000-)	Boot, Circuit Breaker	1
▲ 12	57803	(000000-)	Breaker-Circuit, 15A, Resetbl	1
	58518	(000000-)	Lens,Flashing Lite Fr207 Red	1
	58519	(000000-)	Lens,Flashing Lite Fr207 Blue	1

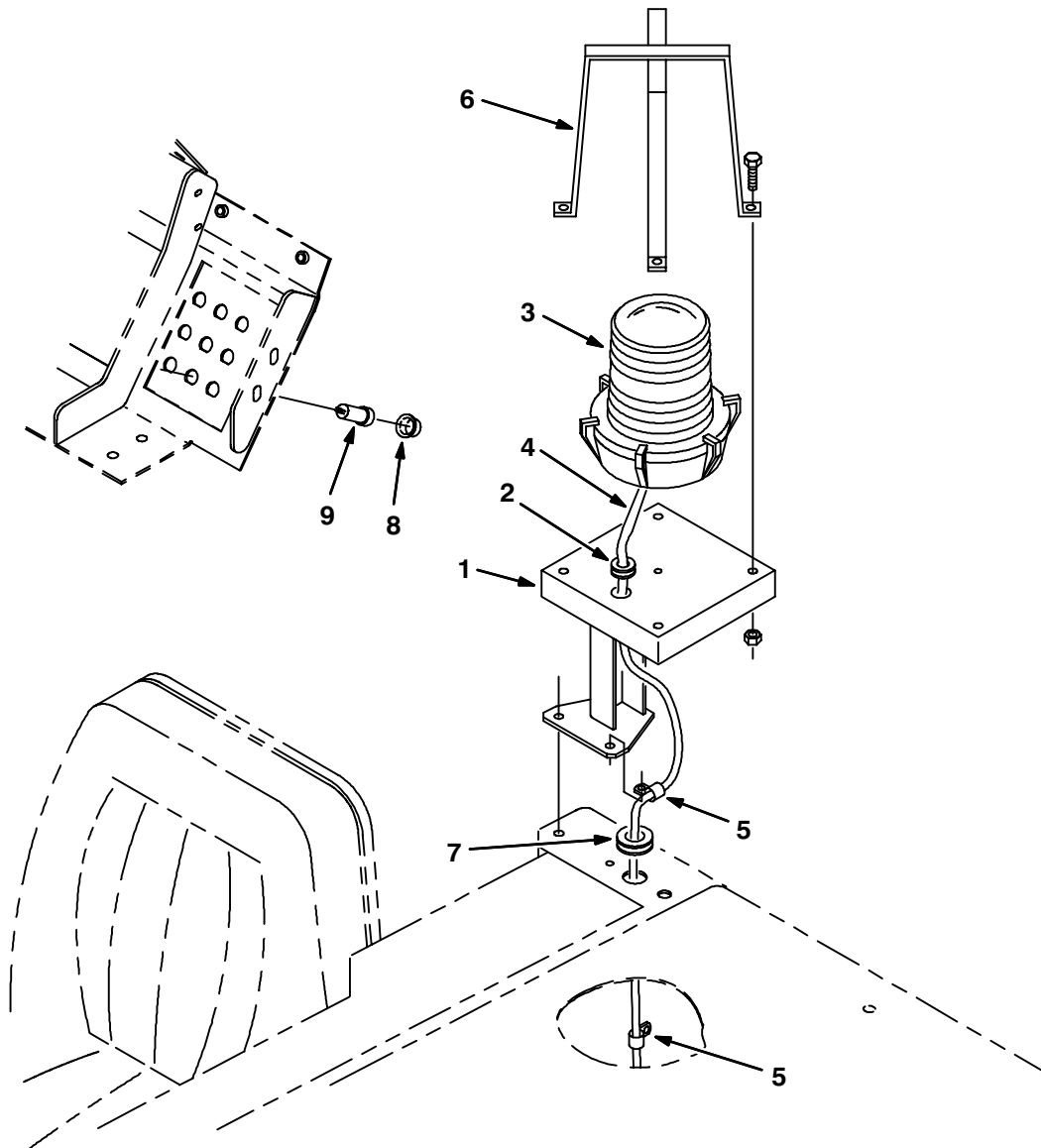
Fig. 6 – Revolving Light Kit, Overhead Guard



09681/09682

Ref.	TENNANT Part No.	Machine Serial Number	Description	Qty.
▽	73459	(000000-)	Light Kit Revl Ohg	1
▲▽ 1	82200	(000000-)	Light,Rev.Amber 12V-Reworked	1
▲▲	44681-1	(000000-)	Lens,Rev.Light,Amber	1
▲▲	45779	(000000-)	Bulb, General Electric	1
▲ 2	57220	(000000-)	Plate, Light Mtg.	1
▲ 3	59447	(000000-)	Bracket, Mtg, Light, Ohg	1
▲ 4	10632-2	(000000-)	Grommet,Rbr,0.63ld,For .13Matl	1
▲ 5	60288	(000000-)	Harness, Revolv Light, Cab,Ohg	1
▲ 6	55248	(000000-)	Cabletie Mount, Adhesive	5
▲ 7	49266	(000000-)	Tie, Cable 1.75D Max 7.50Lg	8
▲ 8	86330	(000000-)	Duct, Vinyl 10.0 In.	2
▲ 9	78732	(000000-)	Duct, Vinyl 19.0 In.	1
▲	72114	(000000-)	Duct, Vinyl 6.0 In.	1
▲ 10	10632-18	(000000-)	Grommet, Rbr, 0.69 ID	1
▲ 11	57751	(000000-)	Boot, Circuit Breaker	1
▲ 12	57803	(000000-)	Breaker-Circuit, 15A, Resetbl	1
	44681	(000000-)	Lens,Rev.Light,Red	1
	44681-2	(000000-)	Lens,Rev.Light,Blue	1

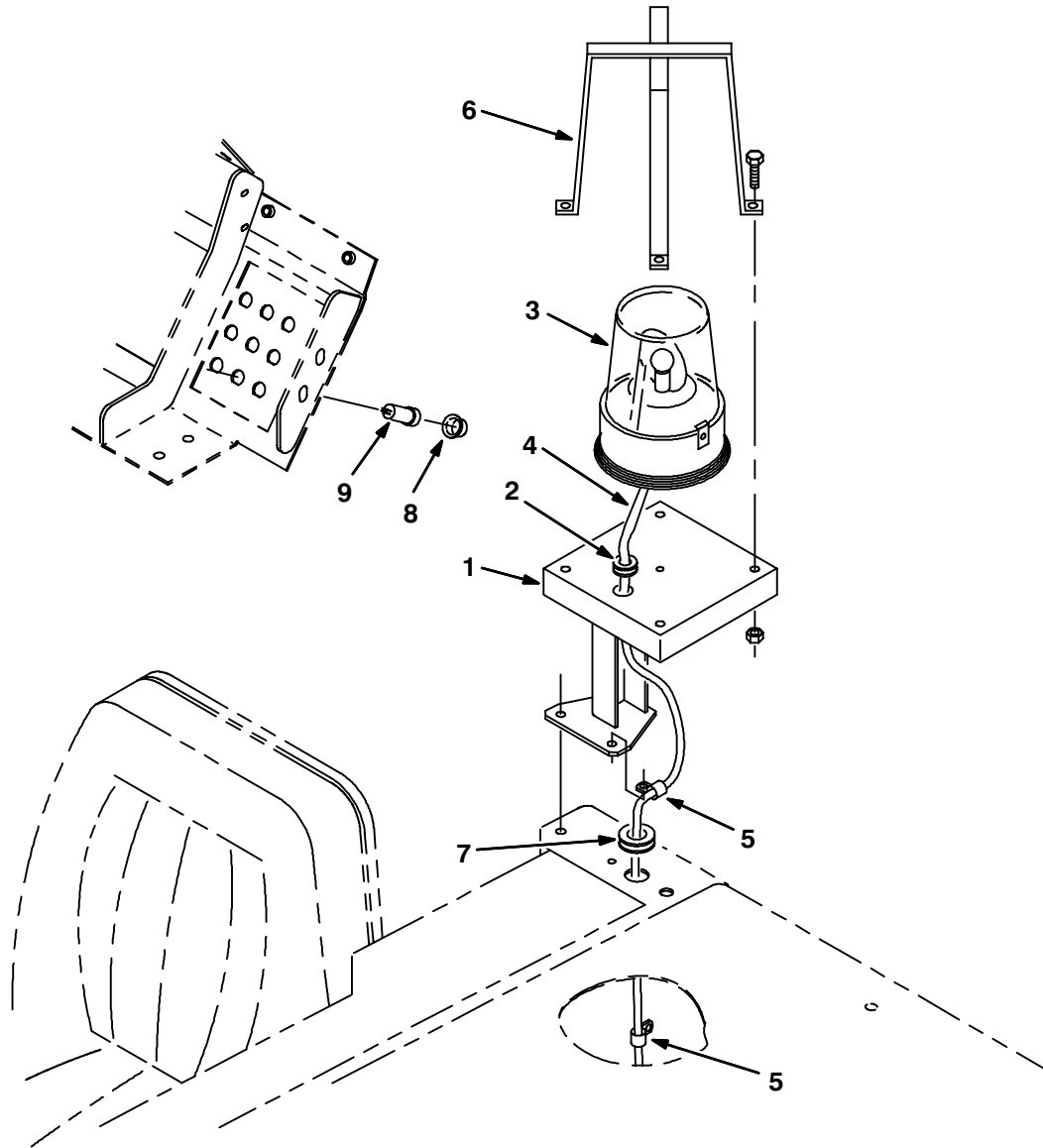
Fig. 7 – Flashing Light Kit, LRC



09683/09684

Ref.	TENNANT Part No.	Machine Serial Number	Description	Qty.
▽	73461	(000000-)	Light Kit Fish Lrc	1
▲ 1	73405	(000000-)	Bracket Wldt, Light, Rotating	1
▲ 2	10632-9	(000000-)	Grommet,Rbr,0.56Id,For .13Matl	1
▲▽ 3	82063	(000000-)	Light, Flashing, Amber, 12V-Re	1
▲▲	58520	(000000-)	Lens,Flashing Lite Fr207 Amber	1
▲▲	45779	(000000-)	Bulb, General Electric	1
▲ 4	71543	(000000-)	Harness, Wire, Hazard	1
▲ 5	46236	(000000-)	Clamp	2
▲ 6	45272	(000000-)	Guard Wldt, Lights, Revl&Fish	1
▲ 7	10632-18	(000000-)	Grommet, Rbr, 0.69 ID	2
▲ 8	57751	(000000-)	Boot, Circuit Breaker	1
▲ 9	57803	(000000-)	Breaker-Circuit, 15A, Resetbl	1
	58518	(000000-)	Lens,Flashing Lite Fr207 Red	1
	58519	(000000-)	Lens,Flashing Lite Fr207 Blue	1

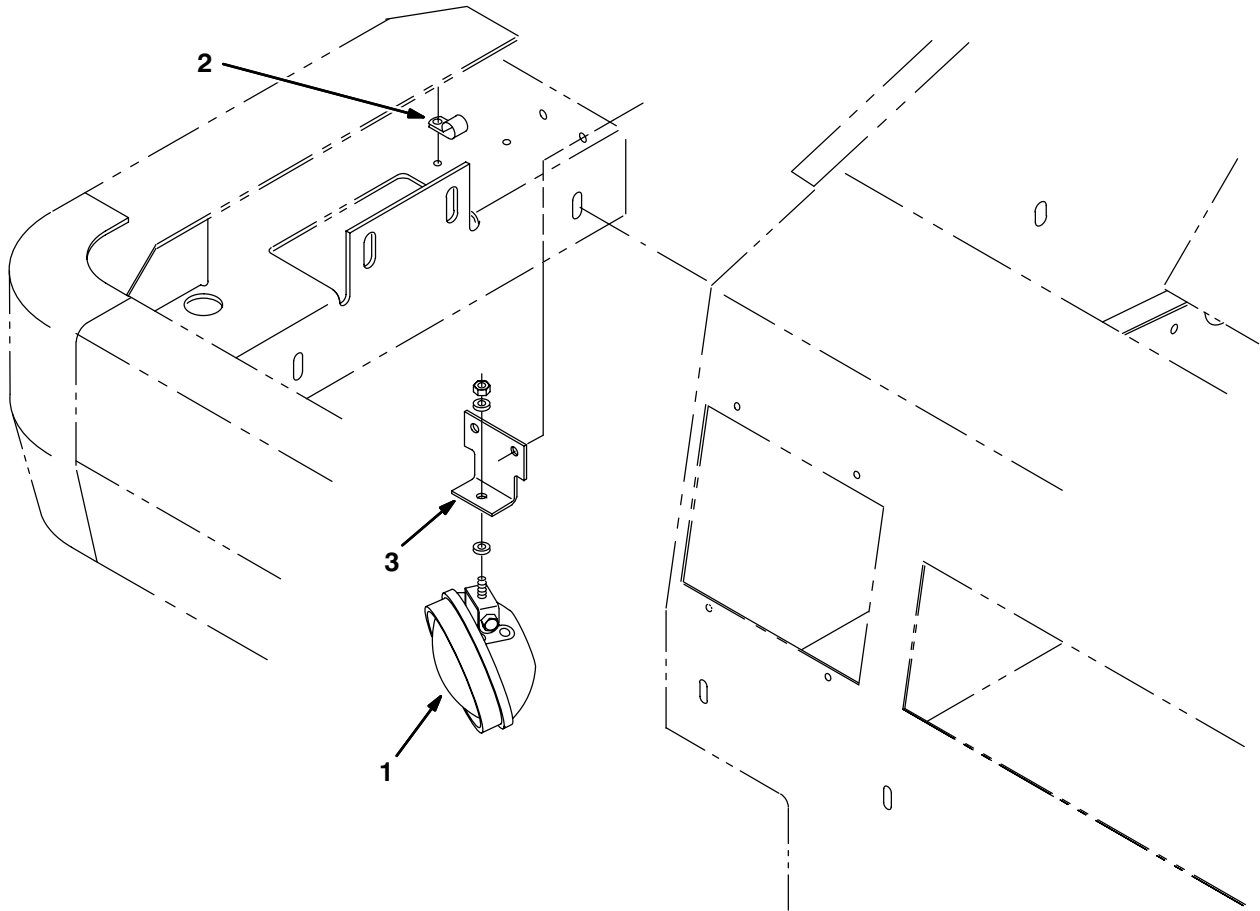
Fig. 8 – Revolving Light Kit, LRC



09685/09686

Ref.	TENNANT Part No.	Machine Serial Number	Description	Qty.
▽	73463	(000000-)	Light Kit Revl Lrc	1
▲ 1	73405	(000000-)	Bracket Wldt, Light, Rotating	1
▲ 2	10632-9	(000000-)	Grommet,Rbr,0.56ld,For .13Matl	1
▲▽ 3	82200	(000000-)	Light,Rev.Amber 12V-Reworked	1
▲▲	44681-1	(000000-)	Lens,Rev.Light,Amber	1
▲▲	45779	(000000-)	Bulb, General Electric	1
▲ 4	71543	(000000-)	Harness, Wire, Hazard	1
▲ 5	46236	(000000-)	Clamp	2
▲ 6	45272	(000000-)	Guard Wldt, Lights, Revl&Fish	1
▲ 7	10632-18	(000000-)	Grommet, Rbr, 0.69 ID	2
▲ 8	57751	(000000-)	Boot, Circuit Breaker	1
▲ 9	57803	(000000-)	Breaker-Circuit, 15A, Resetbl	1
	44681	(000000-)	Lens,Rev.Light,Red	1
	44681-2	(000000-)	Lens,Rev.Light,Blue	1

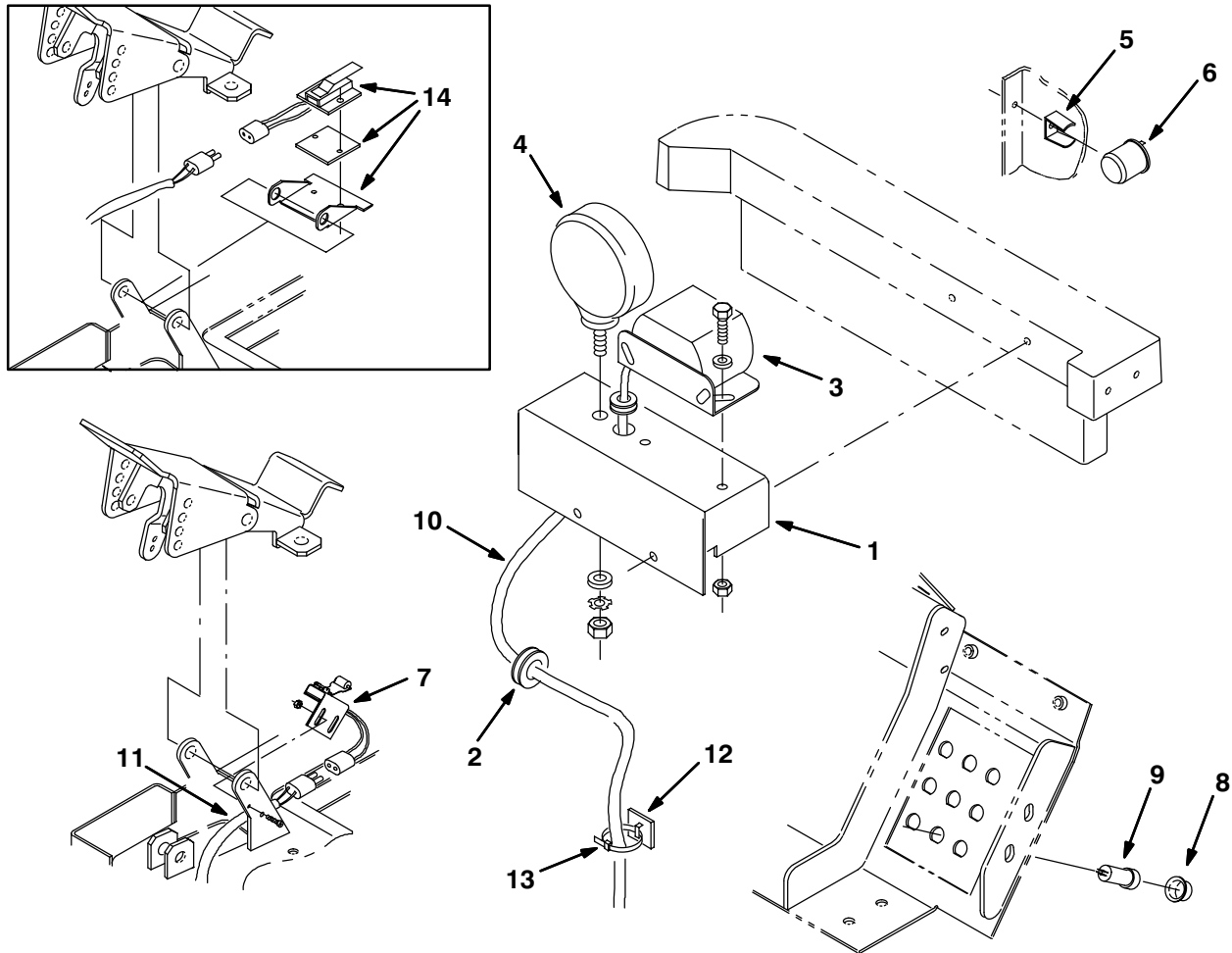
Fig. 9 – Side Brush Light Kit



09687/09688

Ref.	TENNANT Part No.	Machine Serial Number	Description	Qty.
▽	73470	(000000–)	Light Kit, Side Brush	1
▲▽ 1	73403	(000000–)	Light Assy Work/Clr 12V– . A	1
▲▲	51570	(000000–)	Bulb GE	1
▲ 2	40678	(000000–)	Clamp, Cable .44D .62Wide	1
▲ 3	79397	(000000–)	Bracket, Mounting	1

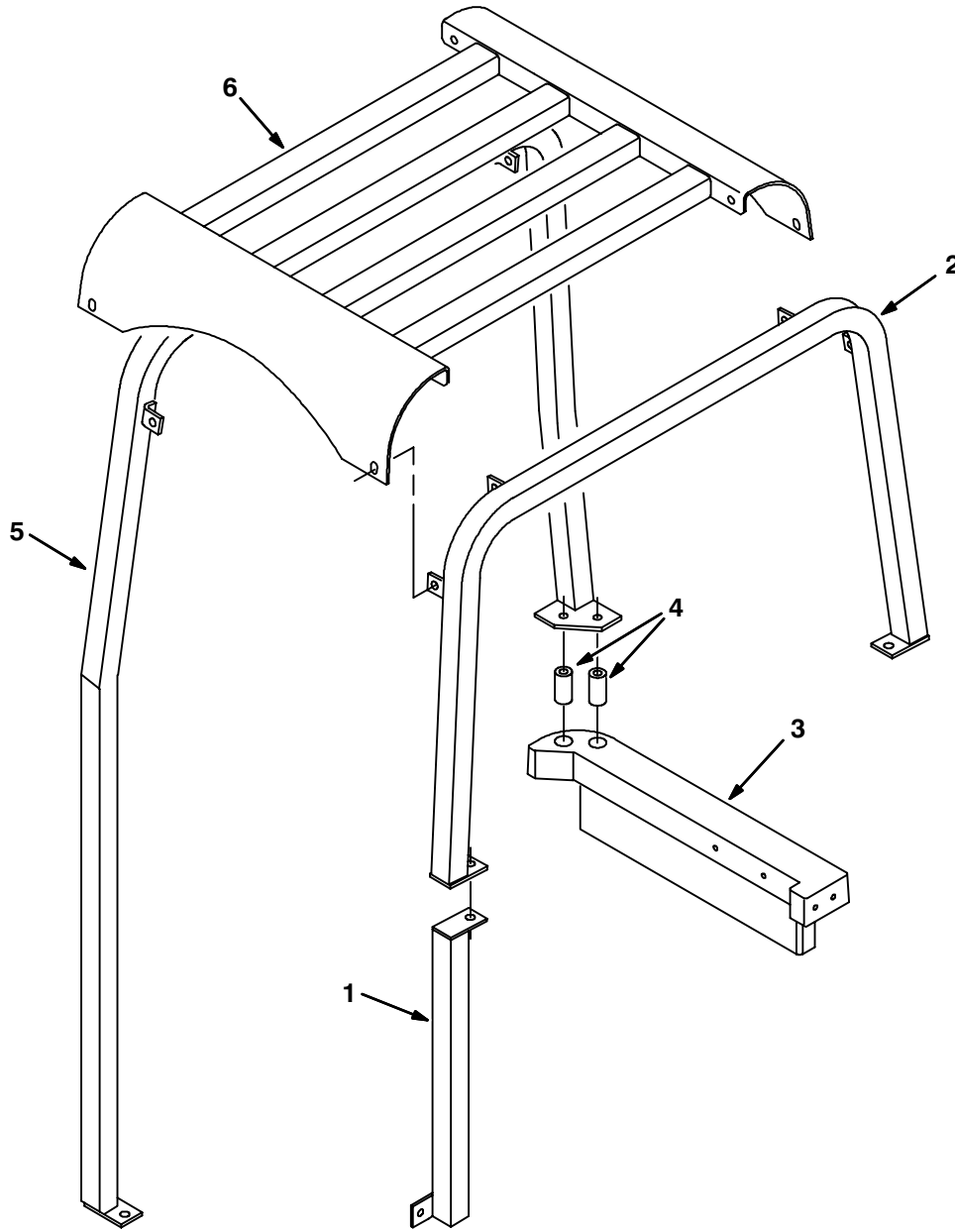
Fig. 10 – Back-Up Alarm Kit



09677/09678

Ref.	TENNANT Part No.	Machine Serial Number	Description	Qty.
▽	73451	(000000–)	Alarm Kit, Backup	1
▲ 1	73421	(000000–)	Bracket, Alarm Backup	1
▲ 2	10632-18	(000000–)	Grommet,Rbr,0.69ld,For.25Matl	1
▲ 3	61920	(000000–)	Horn, Back-Up Alarm	1
▲▽ 4	36438	(000000–)	Headlight Assy,210G	1
▲▲	36439	(000000–)	Bulb, 12V .9A 15	1
▲ 5	24576-1	(000000–)	Bracket, Flasher	1
▲ 6	24576	(000000–)	Flasher,12V.Ideal	1
▲ 7	59965	(010609–)	Switch Assy, Roller-No	1
▲ 8	57751	(000000–)	Boot-Circuit Breaker	1
▲ 9	57803	(000000–)	Breaker-Circuit, 15A Resetable	1
▲ 10	71544	(000000–)	Harness, Alarm, Backup	1
▲ 11	73439	(000000–)	Harness, Alarm, Backup	1
▲ 12	55248	(000000–)	Cabletie Mount, Adhesive	2
▲ 13	49266	(000000–)	Tie, Cable 1.75D Max 7.50Lg	5
▲ 14	23231	(000000– 010608)	Replm Kit, Backup Switch	1

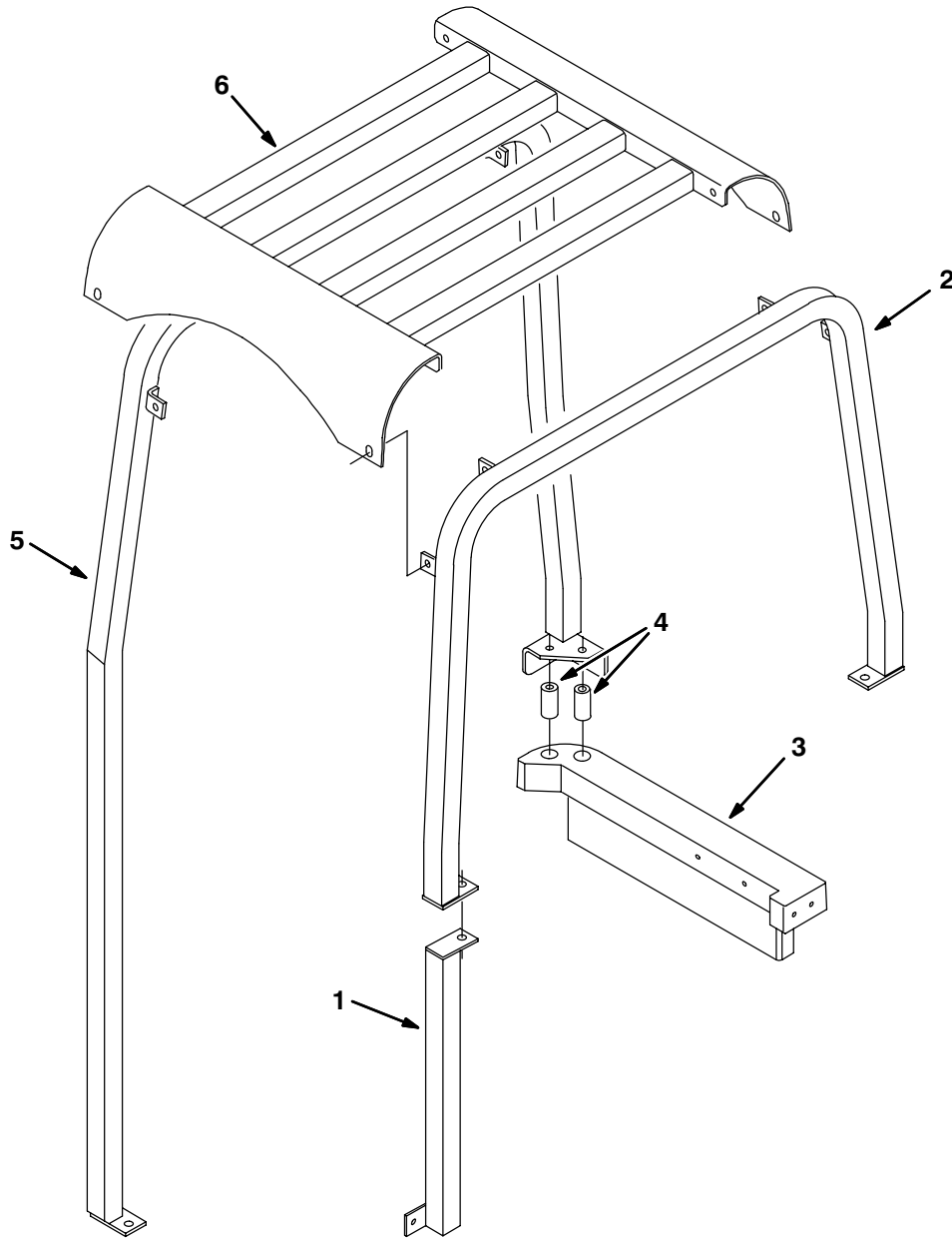
Fig. 11 – Overhead Guard Kit



09675/09676

Ref.	TENNANT Part No.	Machine Serial Number	Description	Qty.
▽	73453	(000000–)	Guard Kit, Ohg	1
▲ 1	73400	(000000–)	Tube, Leg, Ohg	1
▲ 2	73404	(000000–)	Tube, Leg, Ohg, Lh	1
▲ 3	73414	(000000–)	Cap, Rework, Ohg	1
▲ 4	73409	(000000–)	Sleeve	2
▲ 5	73408	(000000–)	Tube, Leg, Ohg, Rh	1
▲ 6	73412	(000000–)	Guard Wldt, Oh, Top	1

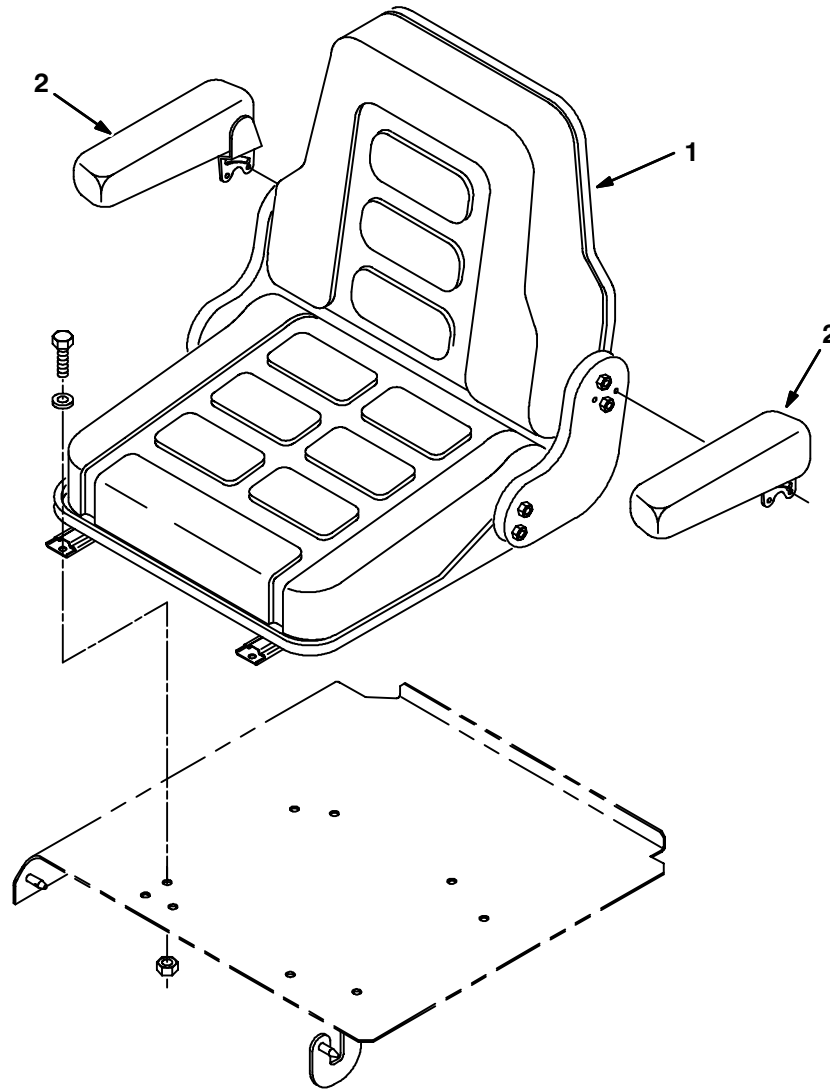
Fig. 12 – 87” Overhead Guard Kit



10941/10942

Ref.	TENNANT Part No.	Machine Serial Number	Description	Qty.
▽	22933	(000000-)	Guard Kit, Overhead, 87 Height	1
▲ 1	73400	(000000-)	Tube, Leg, Ohg	1
▲ 2	22911	(000000-)	Tube Wldt, Leg, Ohg, Lh	1
▲ 3	73414	(000000-)	Cap, Ohg	1
▲ 4	73409	(000000-)	Sleeve	2
▲ 5	22912	(000000-)	Tube Wldt, Leg, Ohg, Rh	1
▲ 6	73412	(000000-)	Guard Wldt, Oh, Top	1

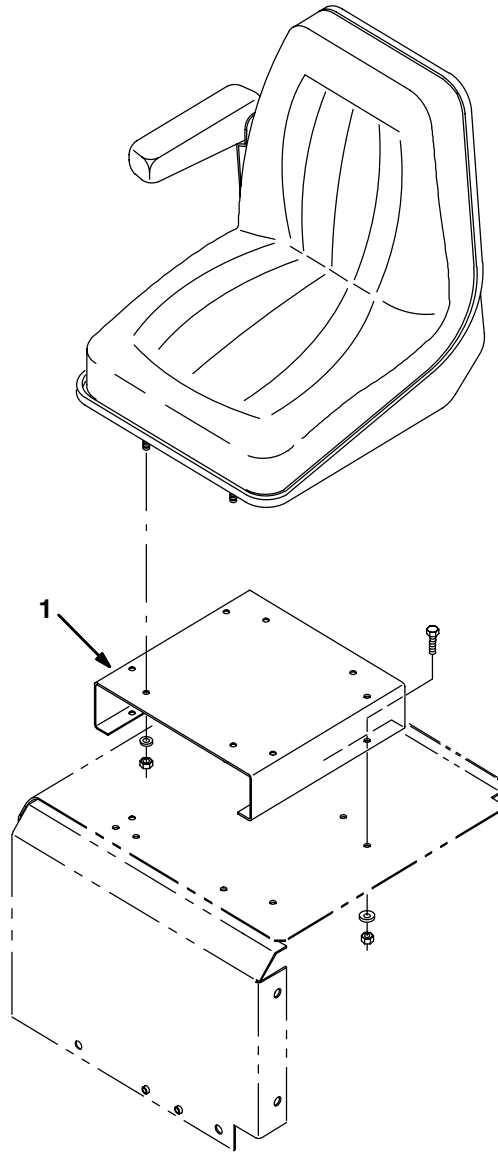
Fig. 13 – Seat Kit



09105/09106

Ref.	TENNANT Part No.	Machine Serial Number	Description	Qty.
▽	78981	(000000–)	Seat Kit, Grammer 8400	1
▲ 1	53845	(000000–)	Seat, Grammer	1
▲ 2	34252	(000000–)	Armrest Assy,Lh& Rh	1

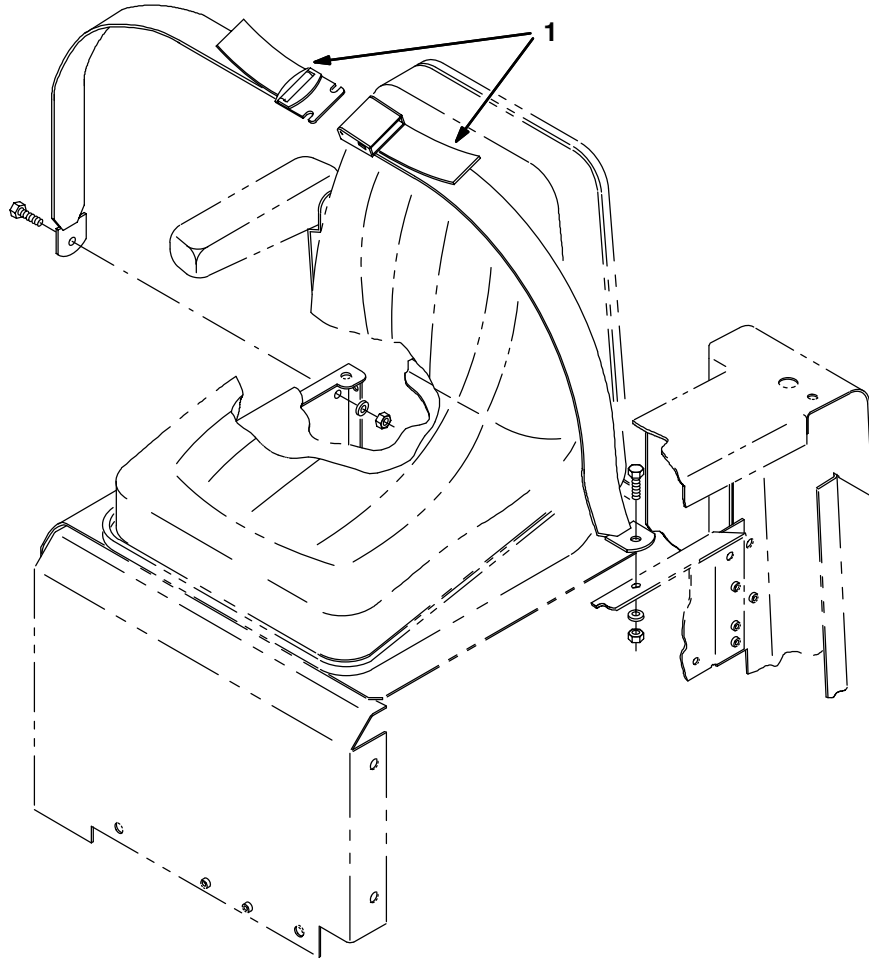
Fig. 14 – Seat Mounting Bracket Kit



10235/10234

Ref.	TENNANT Part No.	Machine Serial Number	Description	Qty.
▽	10595	(000000–)	Bracket, Mounting, Seat Kit	1
▲ 1	10581	(000000–)	Bracket, Mounting, Seat	1

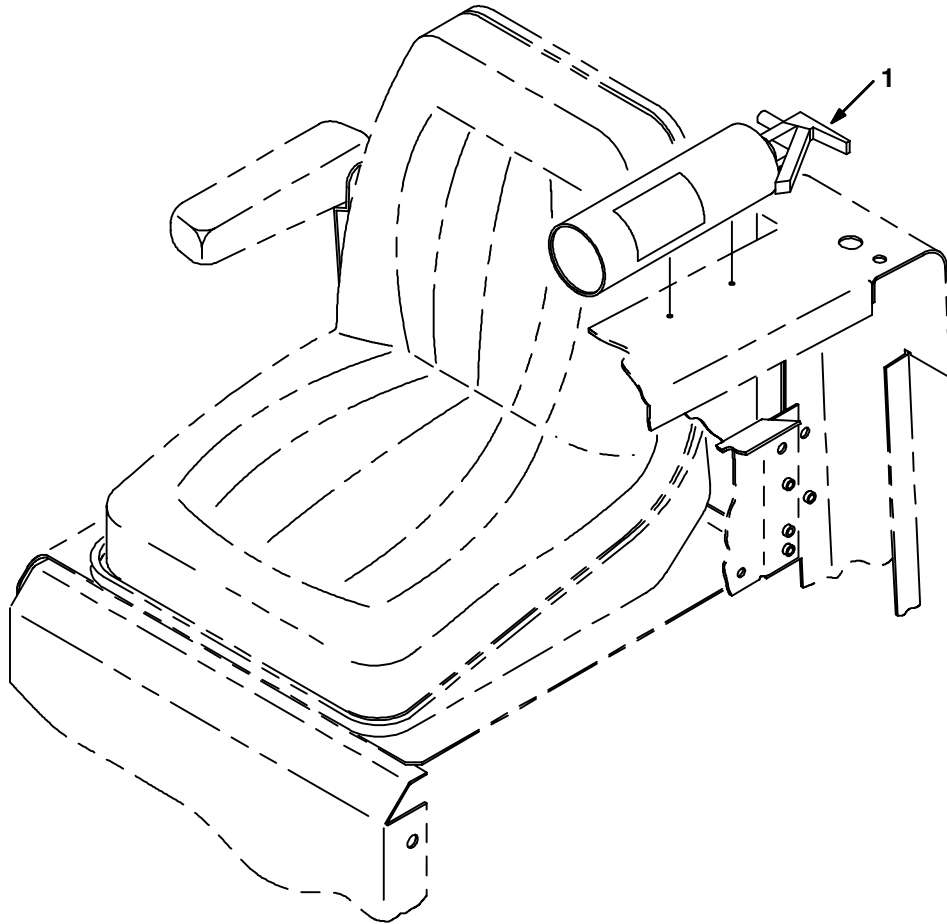
Fig. 15 – Seat Belt Kit



09107/09108

Ref.	TENNANT Part No.	Machine Serial Number	Description	Qty.
▽	78985	(000000–)	Seat Belt Kit 8400	1
▲ 1	30533	(000000–)	Seat Belt	1

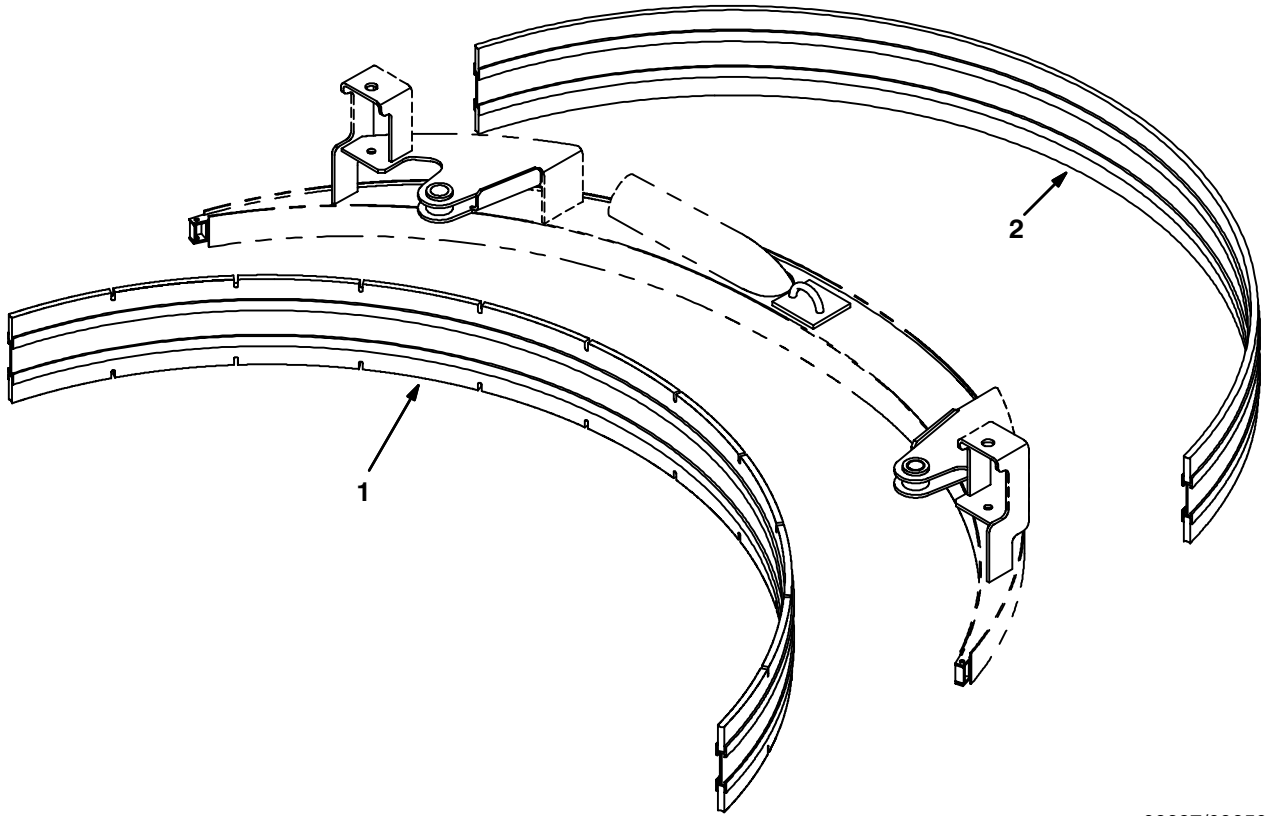
Fig. 16 – Fire Extinguisher Kit



09103/09104

Ref.	TENNANT Part No.	Machine Serial Number	Description	Qty.
▽	78987	(000000–)	Extinguisher Kit Fire 8400	1
▲ 1	25312	(000000–)	Extinguisher, Fire	1

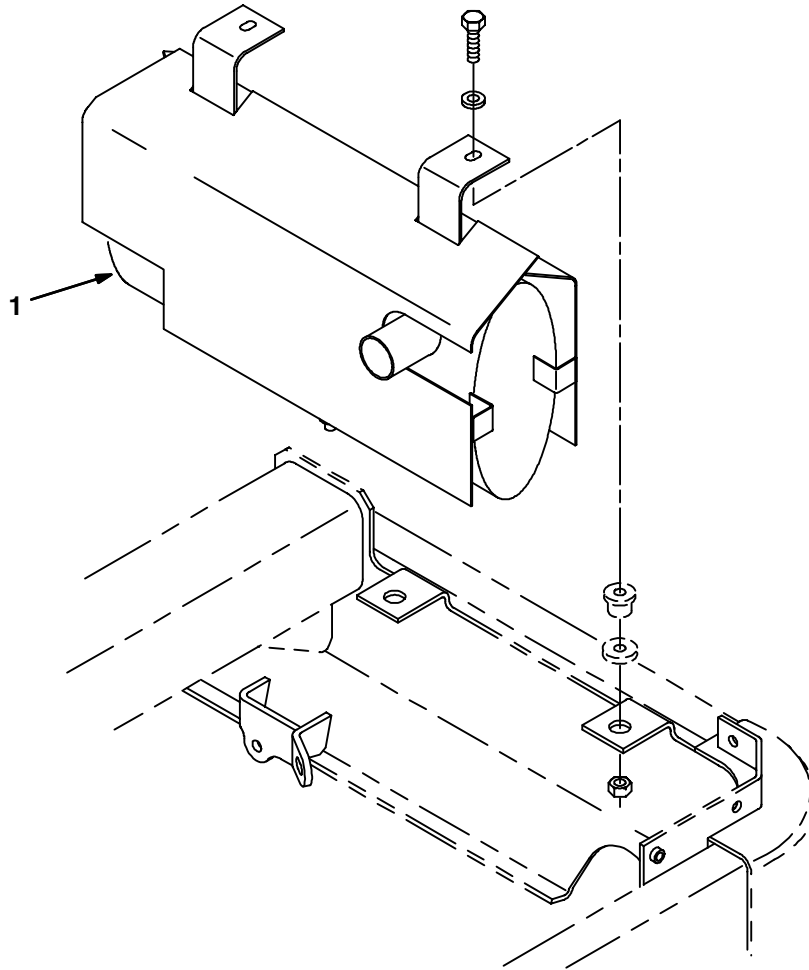
Fig. 17 – Squeegee Blade Kit



09637/09650

	TENNANT	Machine		Description	Qty.
Ref.	Part No.	Serial Number			
▽	78877	(000000–)	Squeegee Kit 8400	1
▲ 1	78816	(000000–)	Blade Assy, Sqge, Front, .25	1
▲ 2	78818	(000000–)	Blade Assy, Sqge, Rear, .25	1

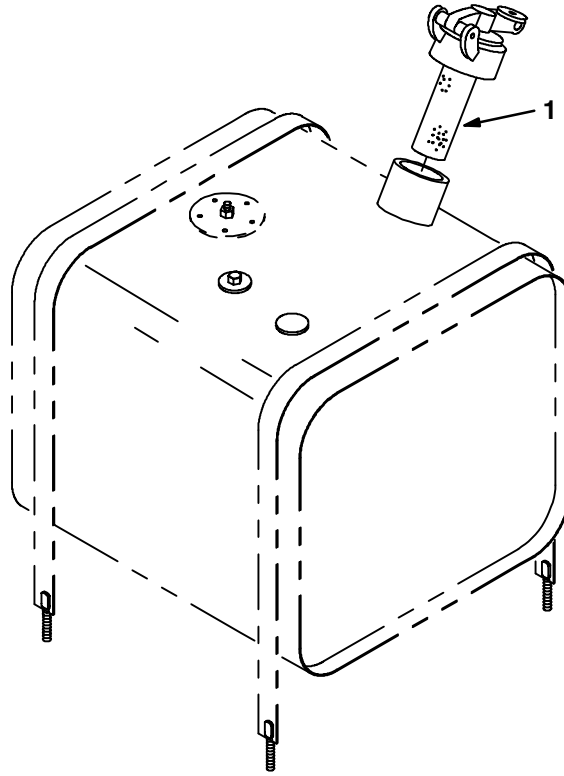
Fig. 18 – Spark Arresting Muffler Group



09689/09690

Ref.	TENNANT Part No.	Machine Serial Number	Description	Qty.
1	78860	(000000–)	Muffler, Spark Arresting	1

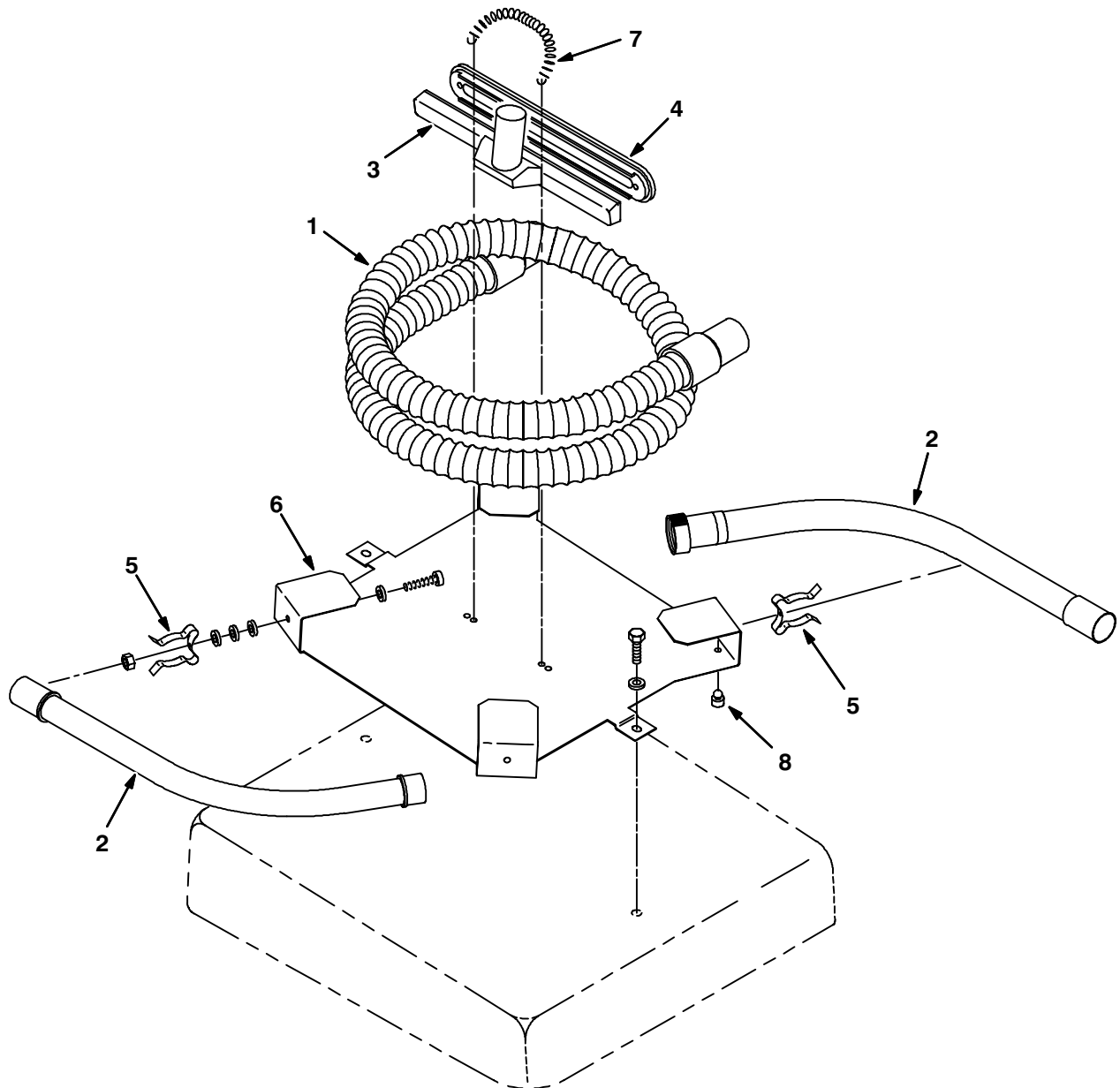
Fig. 19 – Protectoseal Fuel Tank Cap Group



07867/07471

Ref.	TENNANT Part No.	Machine Serial Number	Description	Qty.
1	02506-6	(000000-)	Gas Cap, Protectoseal	1

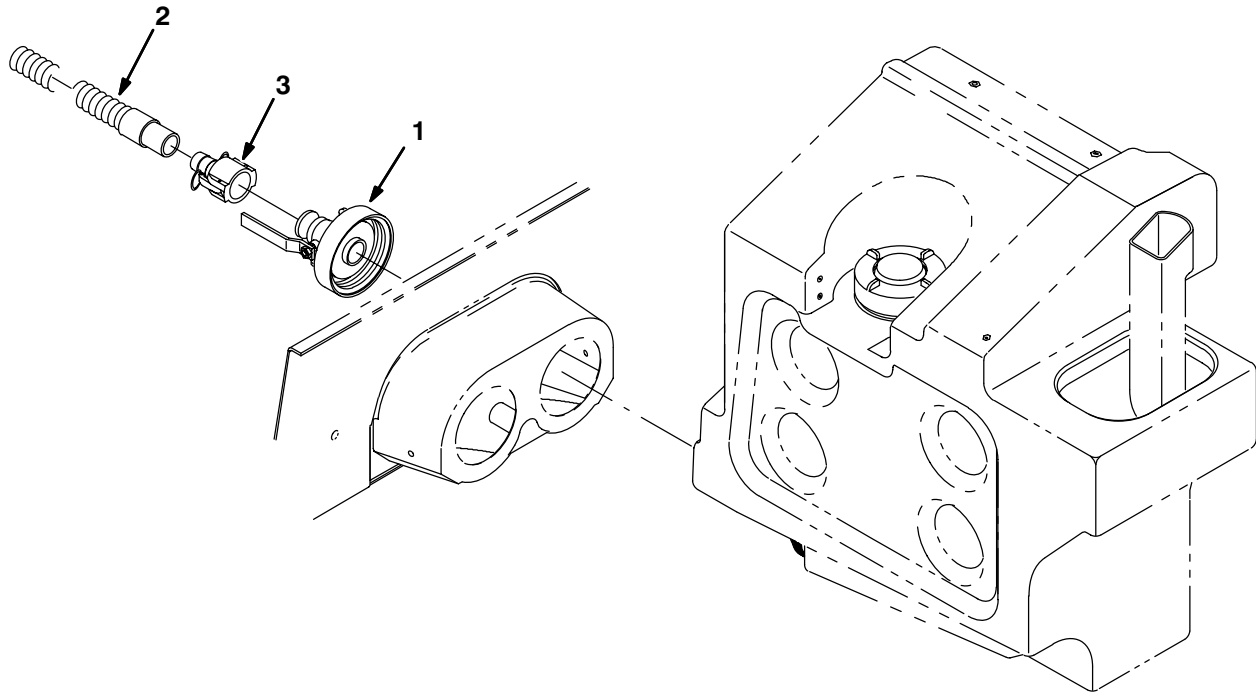
Fig. 20 – Squeegee Wand Kit



09113/09114

Ref.	TENNANT Part No.	Machine Serial Number	Description	Qty.
▽	77321	(000000-)	Squeegee Wand Kit 8400	1
▲ 1	78808	(000000-)	Hose, Vacuum	1
▲ 2	63448	(000000-)	Wand, Metal – 2PC	1
▲ 3	63451	(000000-)	Nozzle, Plastic Wand 14.OLG	1
▲ 4	63430	(000000-)	Shoe, Plastic-Squeegee 14IN	1
▲ 5	67004	(000000-)	Clip-Finger Grip	4
▲ 6	77322	(000000-)	Panel, MTG, Hose	1
▲ 7	50304	(000000-)	Spring, EXT	1
▲ 8	51787	(000000-)	Bumper, Rubber	4

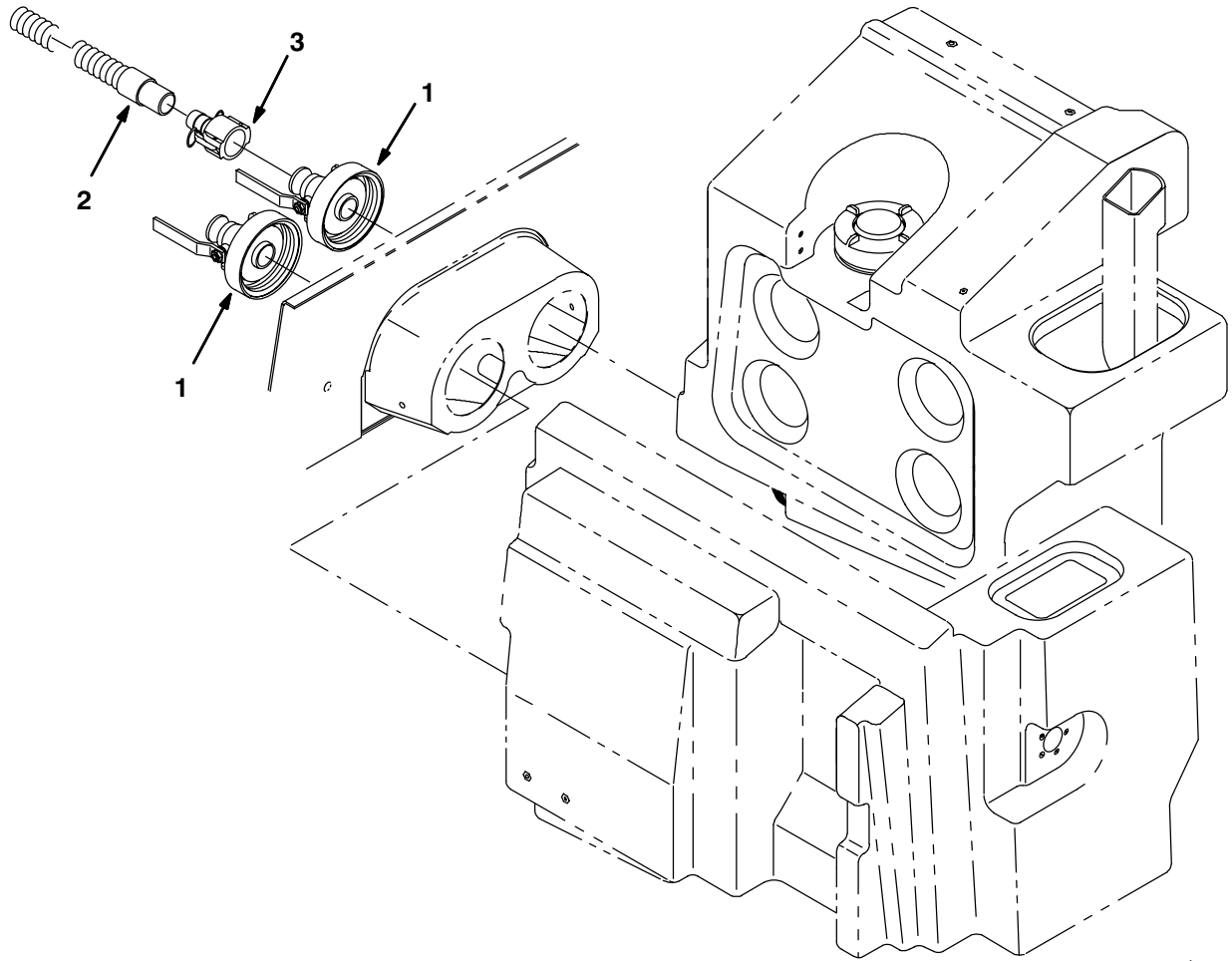
Fig. 21 – Positive Solution Control Drain System Kit Std



10217/10218

Ref.	TENNANT Part No.	Machine Serial Number	Description	Qty.
▽	48742	(000000–)	Pos Sol Control Drain Sys Kits	1
▲ 1	48739	(000000–)	Cap Assy, Pos Drain	1
▲ 2	75635	(000000–)	Hose & Cuff Assy	1
▲ 3	48734	(000000–)	Coupler, Female X Hose Shank	1

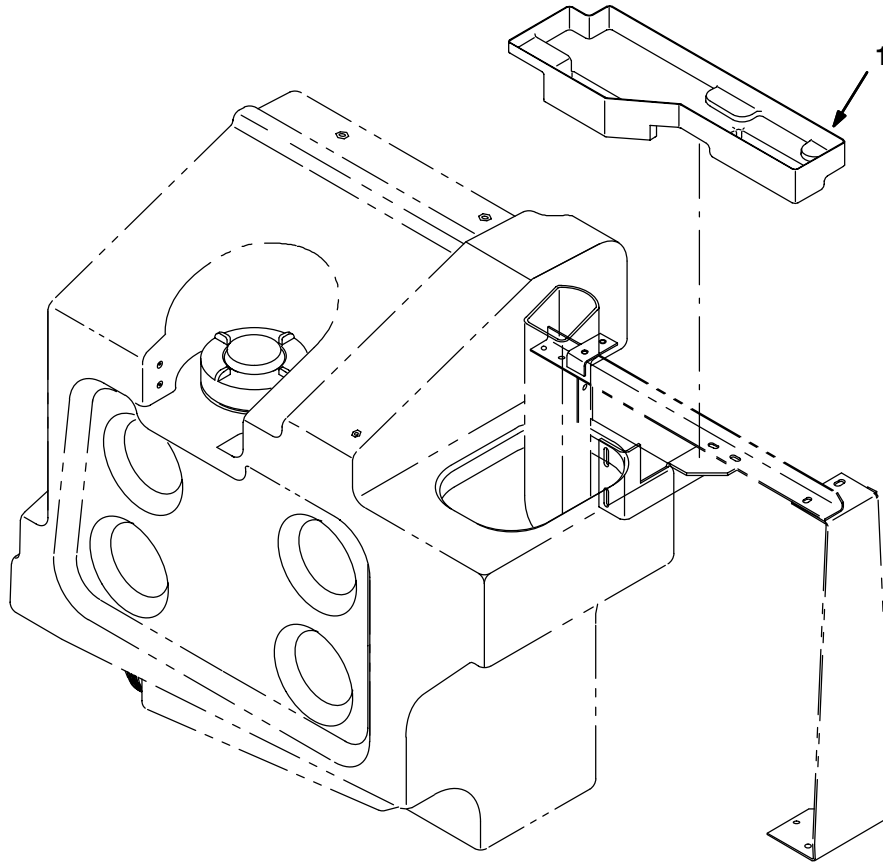
Fig. 22 – Positive Solution Control Drain System Kit ES



10219/10220

Ref.	TENNANT Part No.	Machine Serial Number	Description	Qty.
▽	48743	(000000–)	Pos Sol Ctrl Drain Sys Kit Es	1
▲ 1	48739	(000000–)	Cap Assy, Pos Drain	2
▲ 2	75635	(000000–)	Hose & Cuff Assy	1
▲ 3	48734	(000000–)	Coupler, Female X Hose Shank	1

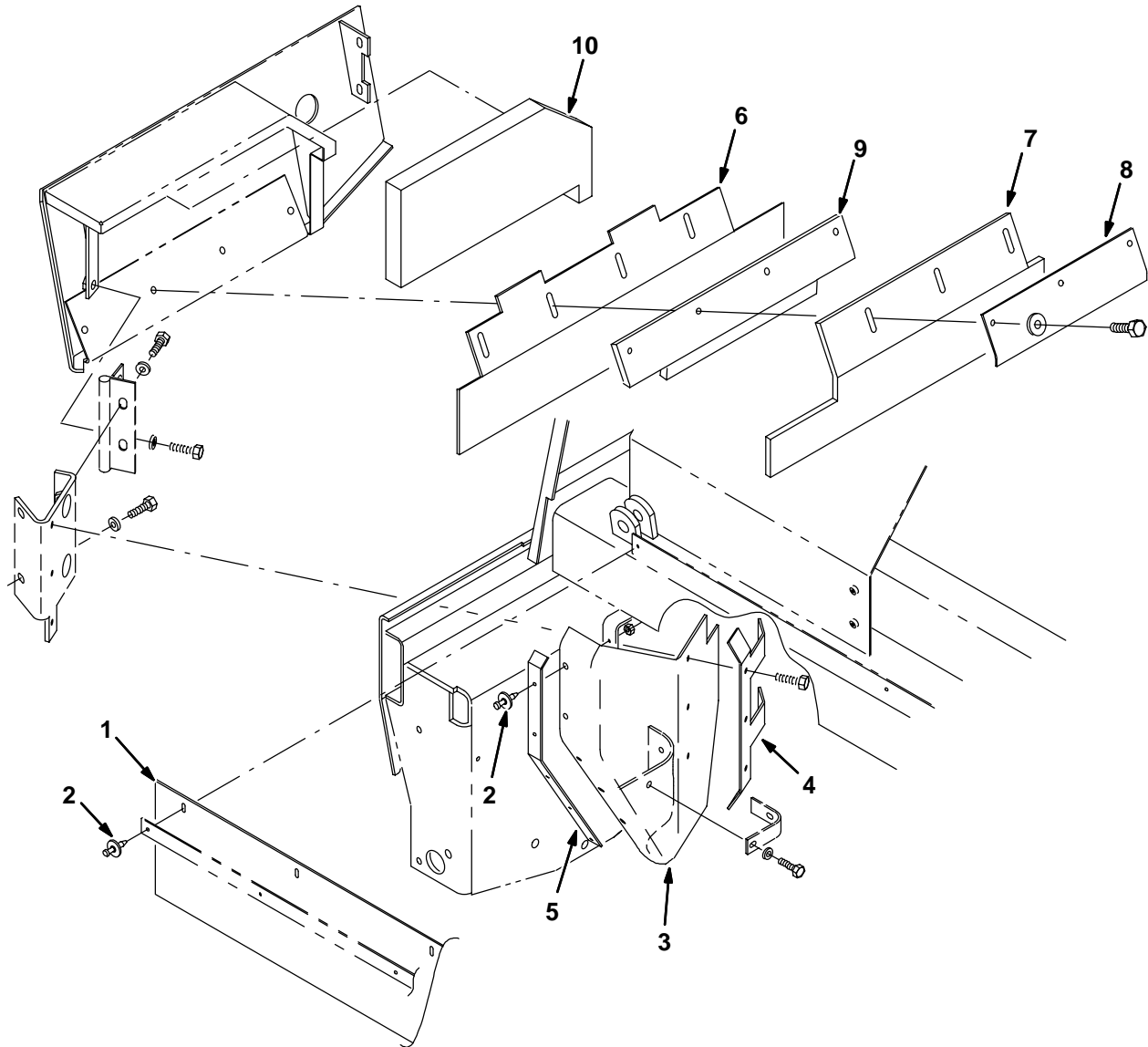
Fig. 23 – Drip Tray Group



10221/10222

Ref.	TENNANT Part No.	Machine Serial Number	Description	Qty.
1	79220	(000000–)	Tray, Drip	1

Fig. 24 – Vacuumized Skirt Kit, Main Brush



10192/10193

Ref.	TENNANT Part No.	Machine Serial number	Description	Qty.
▽	70229	(000000–)	Vacuumized Skirt Kit, Main Bru	1
▲ 1	56872	(000000–)	Skirt, Hopper, Top	1
▲ 2	72968	(000000–)	Rivet, Plastic .250x.898	15
▲ 3	70230	(000000–)	Skirt, Deflection, Vac Kit	2
▲ 4	70227	(000000–)	Strap, Deflector, Rh	1
▲	70228	(000000–)	Strap, Deflector, Lh (Not Shown)	1
▲ 5	56914	(000000–)	Strap	2
▲ 6	70222	(000000–)	Skirt, Brush Door, Outer	2
▲ 7	70223	(000000–)	Skirt, Brush Door, Inner	2
▲ 8	70224	(000000–)	Strip, Retainer	2
▲ 9	70225	(000000–)	Angle, Filler	2
▲ 10	70226	(000000–)	Seal, Foam, Door	2

Fig. 25 – Side Brush Dust Control Kit

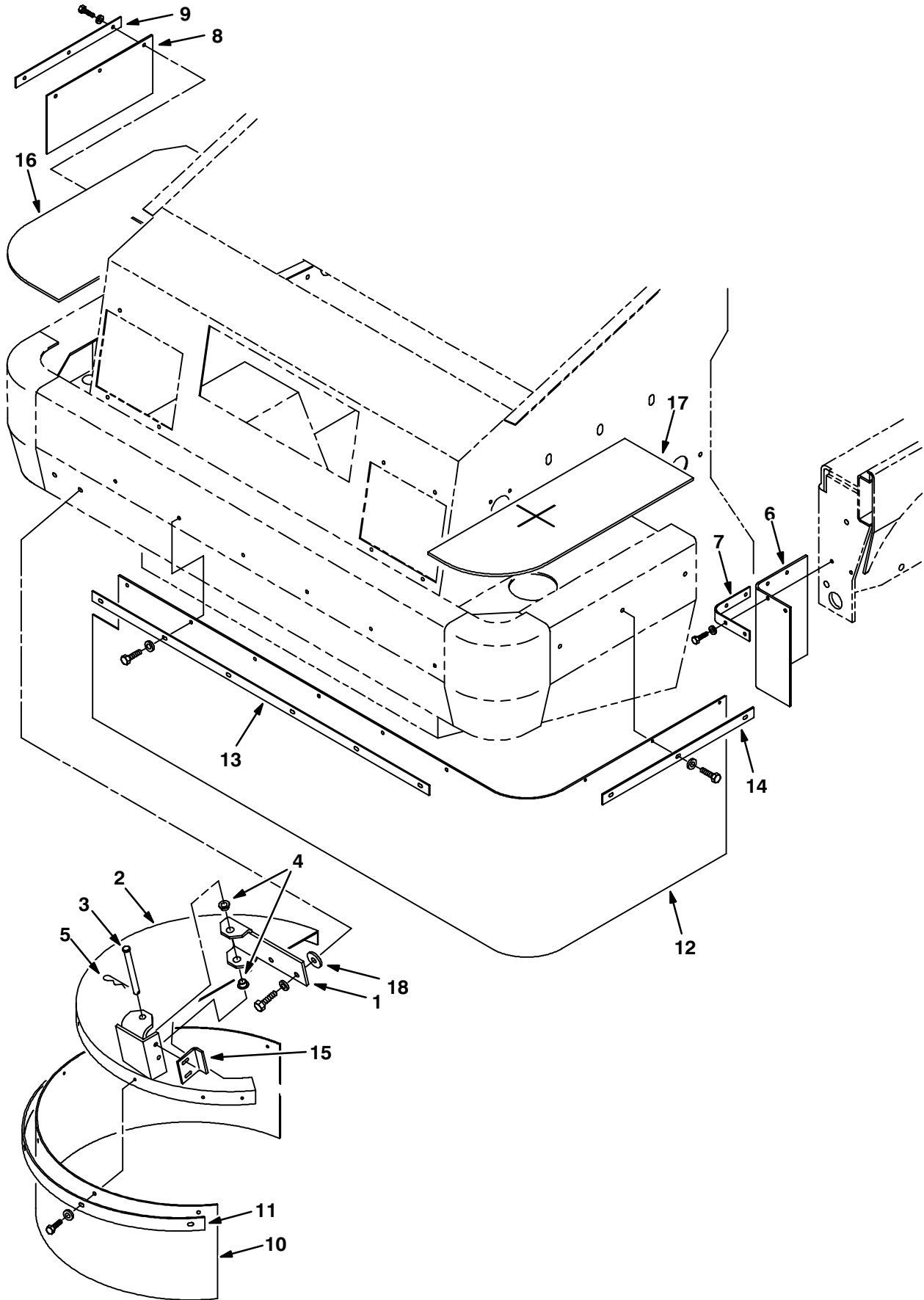


Fig. 25 – Side Brush Dust Control Kit

Ref.	TENNANT Part No.	Machine Serial number	Description	Qty.
▽	78904	(000000–)	Dust Cont Kit S Br 8400	1
▲ 1	74383	(000000–)	Bracket, Sbdc	1
▲ 2	74375	(000000–)	Cover, Sbdc	1
▲ 3	51538	(000000–)	Pin,Clevis,0.50 Dia.X 5.00 Lg	1
▲ 4	23274	(000000–)	Bshg,Flange,0.50Bx0.62Odx0.40L	2
▲ 5	44906	(000000–)	Pin,Hair Cotter #Lhcot–2,Leitk	1
▲ 6	66176	(000000–)	Skirt, Wheel Pocket, Sbdc	2
▲ 7	66177	(000000–)	Plate, Retainer, Wheel Pocket	2
▲ 8	53576	(000000–)	Skirt, Sbdc, Rh	1
▲ 9	53610	(000000–)	Plate, Retainer, Sbdc, Rh	1
▲ 10	66178	(000000–)	Skirt, Cover, Sbdc	1
▲ 11	66179	(000000–)	Plate, Retainer, Cover, Sbdc	1
▲ 12	74379	(000000–)	Skirt, Front, Sbdc	1
▲ 13	74380	(000000–)	Plate, Reainer, Front, Sbdc	1
▲ 14	74381	(000000–)	Plate, Retainer, Front,Lh Sbdc	1
▲ 15	74382	(000000–)	Angle, Stop	1
▲ 16	72086	(000000–)	Foam, Sbdc, Rh	1
▲ 17	72087	(000000–)	Foam, Sbdc, Lh	1
▲ 18	35843	(000000–)	Washer, .530B 1.50D .19Hr	2

Fig. 26 – Side Squeegee Kit SE

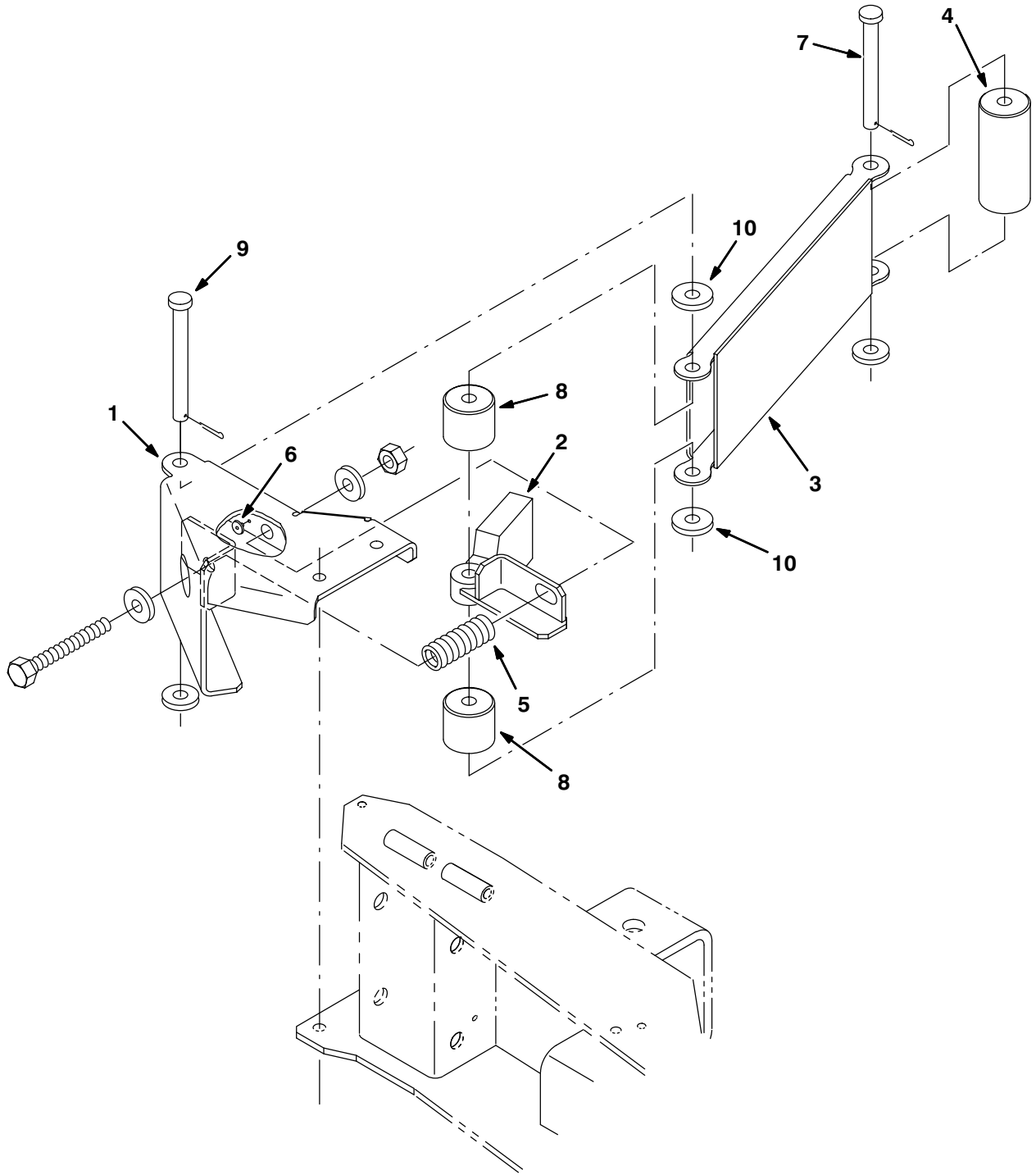


Fig. 26 – Side Squeegee Kit SE

Ref.	TENNANT Part No.	Machine Serial number	Description	Qty.
▽	10562	(000000–)	Side Squeegee Se Kit	1
▲ 1	10550	(000000–)	Channel Wldt	1
▲ 2	10557	(000000–)	Arm Wldt	1
▲ 3	10560	(000000–)	Tube Wldt	1
▲ 4	10561	(000000–)	Roller	1
▲ 5	45261	(000000–)	Sprng,Comp,0.74Idx.11Wire 2.5L	1
▲ 6	56855	(000000–)	Bumper,Rbr,W.Knurled Stud	1
▲ 7	51538	(000000–)	Pin,Clevis,0.50 Dia.X 5.00 Lg	1
▲ 8	72946	(000000–)	Roller 1.75	2
▲ 9	51225	(000000–)	Pin,Clevis,0.50 Dia.X 5.50 Lg	1
▲ 10	86860	(000000–)	Bearing, Thrust .500	2

Fig. 27 – Demo Kit

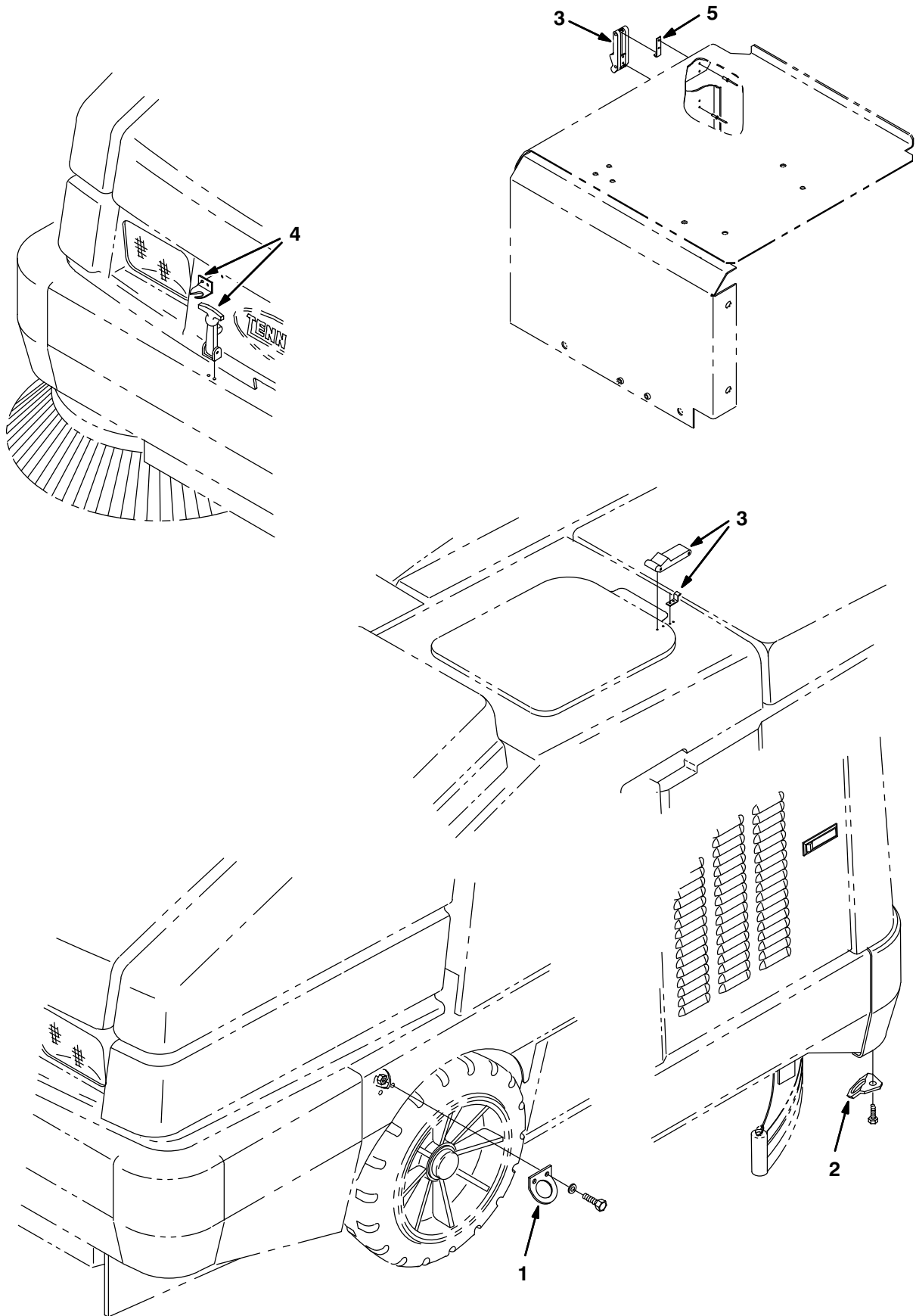
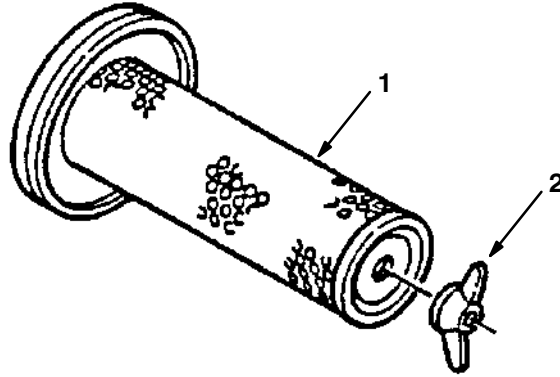


Fig. 27 – Demo Kit

Ref.	TENNANT Part No.	Machine Serial number	Description	Qty.
1	82196	(000000–)	Bracket,Rear Tiedown	2
2	14983	(000000–)	Bracket Tie Down	2
3	49800	(000000–)	Latch, Elastic	2
4	11636	(000000–)	Latch, Draw, Flexible	1
5	78882	(000000–)	Bracket, Tiedown, Seat	1

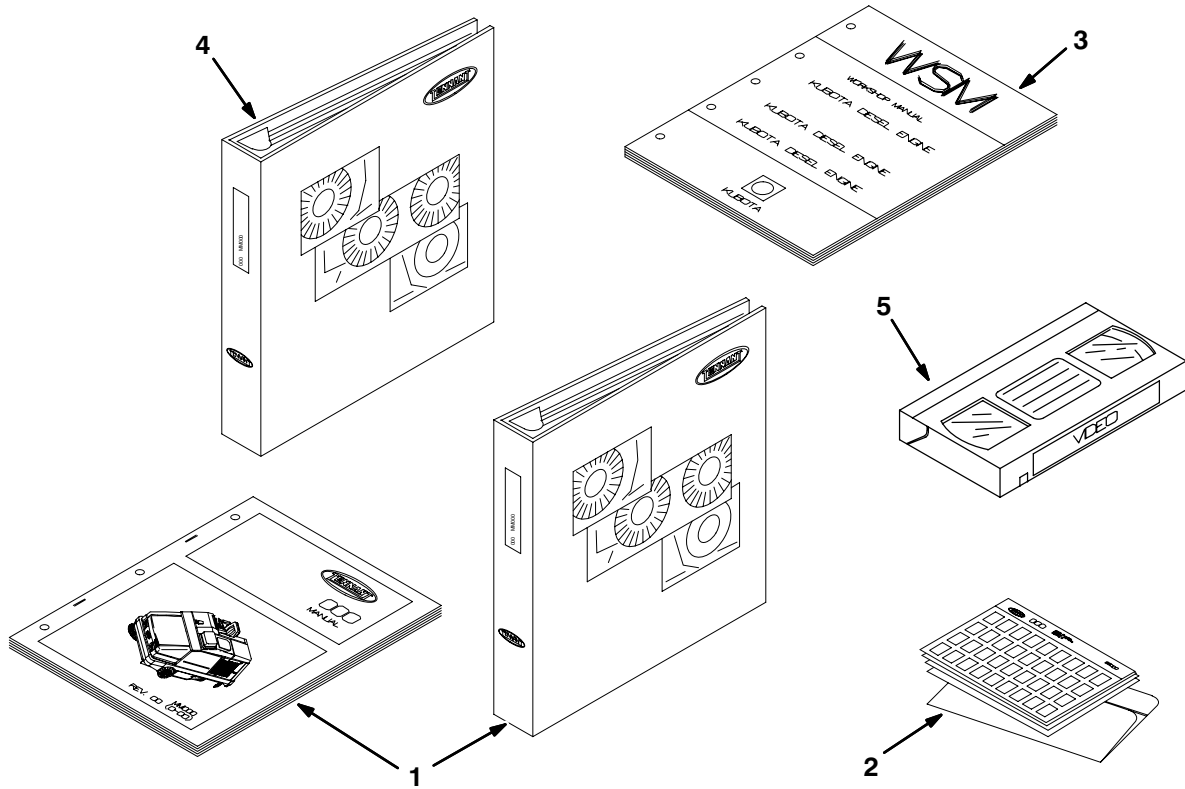
Fig. 28 – Air Filter Safety Element Kit



04712

Ref.	TENNANT Part No.	Machine Serial number	Description	Qty.
▽	07565	(000000–) Element Kit, Air, Safety	1
▲ 1	58121	(000000–) Element, Safety	1
▲ 2	07562	(000000–) Wingnut	1

Fig. 29 – Documentation Group



09776/09774

Ref.	TENNANT Part No.	Machine Serial Number	Description	Qty.
1	MM312	(000000-)	Manual Pkg 8400D	1
2	85312	(000000-)	Manual-Fiche Pkg 8400D	1
3	20756	(000000-)	Service Manual F/V2203B-3 KU	1
4	MM338	(000000-)	Service Manual Pkg 8400	1
5	84598	(000000-)	Tape, Video, Operator, 8400	1

SECTION 4**CONTENTS**

	PAGE
Fig. 1 – Hydraulic Motor Breakdown, 74162	4-2
Fig. 2 – Hydraulic Motor Breakdown, 53435	4-4
Fig. 3 – Hydraulic Motor Breakdown, 73098	4-5
Fig. 4 – Hydraulic Motor Breakdown, 73090	4-6
Fig. 5 – Hydraulic Motor Breakdown, 73112	4-7
Fig. 6 – Hydraulic Motor Breakdown, 53485	4-8
Fig. 7 – Hydraulic Motor Breakdown, 74468	4-9
Fig. 8 – Hydraulic Steering Valve Breakdown, 73093	4-10
Fig. 9 – Hydraulic Pump Breakdown, 73101	4-12
Fig. 10 – Hydraulic Pump Breakdown, 73102	4-14
Fig. 11 – Hydraulic Pump Breakdown, 79770	4-16
Fig. 12 – Hydraulic Solenoid Valve Breakdown, 73086	4-18
Fig. 13 – Hydraulic Solenoid Valve Breakdown, 73103	4-20
Fig. 14 – Hydraulic Solenoid Valve Breakdown, 73099	4-22
Fig. 15 – Extended Scrub Pump Breakdown, 72955	4-24
Fig. 16 – Hydraulic Flow Sensor Switch Breakdown, 73430	4-26
Fig. 17 – Metering Solution Pump Breakdown, 73260	4-27

Fig. 1 – Hydraulic Motor Breakdown, 74162

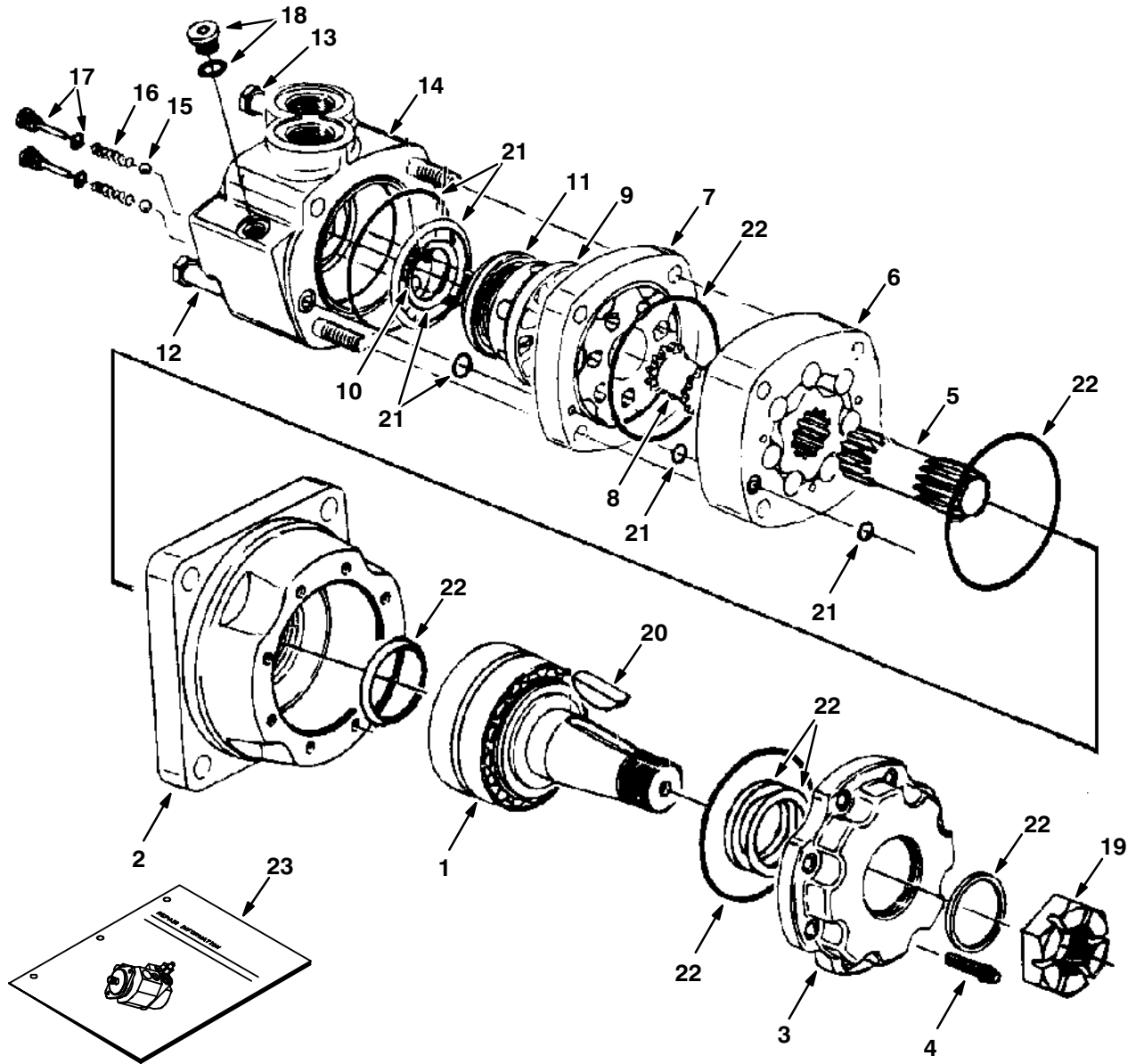
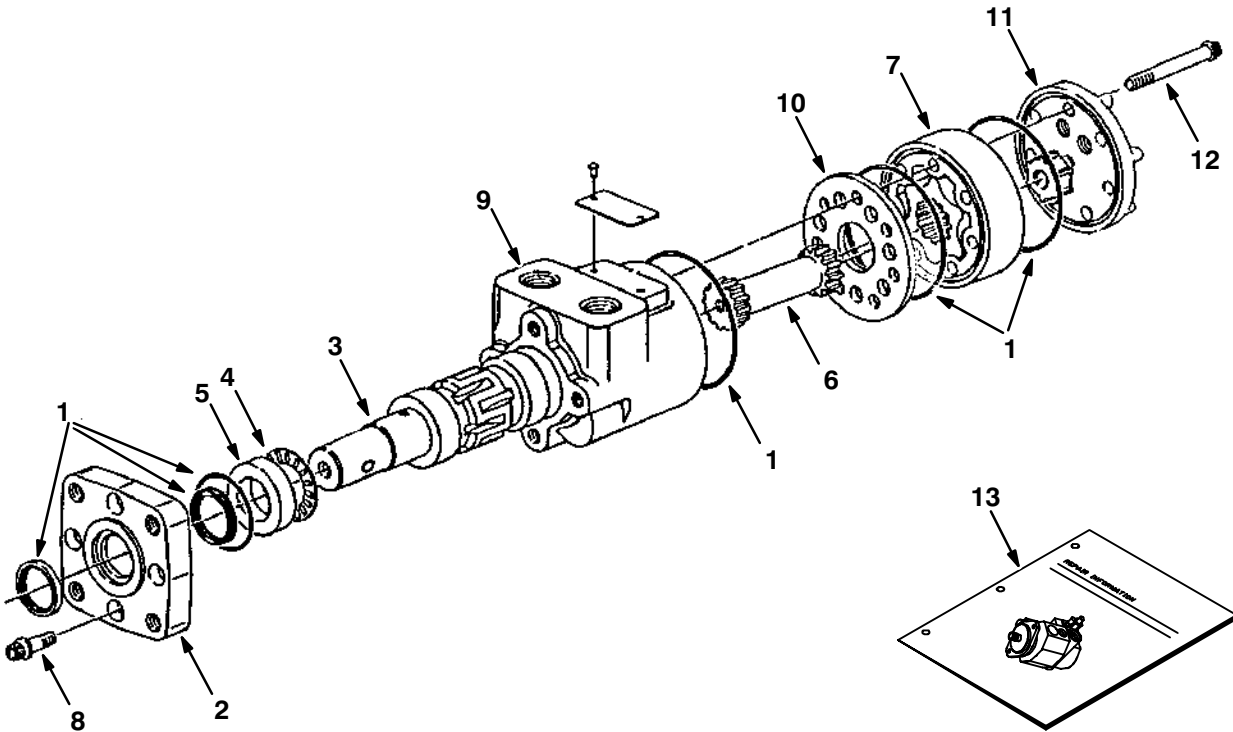


Fig. 1 – Hydraulic Motor Breakdown, 74162

Ref.	TENNANT Part No.	Manufacturer Serial Number	Description	Qty.
▽	74162	(000000–)	Motor, Hyd Gear In 19.0	1
▲ 1	74165	(000000–)	Shaft, Assy CI	1
▲ 2	74166	(000000–)	Housing, Brg CI	1
▲ 3	74167	(000000–)	Retainer, Frt CI	1
▲ 4	74168	(000000–)	Screw, Cap CI	8
▲ 5	37616	(000000–)	Drive	1
▲ 6	37756	(000000–)	Geroler	1
▲ 7	74122	(000000–)	Plate, Valve	1
▲ 8	52405	(000000–)	Valve	1
▲ 9	74123	(000000–)	Valve CI	1
▲ 10	34178	(000000–)	Spring	2
▲ 11	38968	(000000–)	Ring	1
▲ 12	74125	(000000–)	Bolt CI	3
▲ 13	38255	(000000–)	Bolt	1
▲ 14	74171	(000000–)	Housing, Assy CI	1
▲ 15	37766	(000000–)	Ball	2
▲ 16	34179	(000000–)	Spring	2
▲ 17	74137	(000000–)	Plug Assembly CI	2
▲ 18	74098	(000000–)	Plug Assembly Ph	1
▲ 19	45622	(000000–)	Nut	1
▲ 20	45623	(000000–)	Key	1
▲ 21	33580	(000000–)	Seal Kit, Rear	1
▲ 22	74170	(000000–)	Seal Kit, Shaft CI	1
▲ 23	74249	(000000–)	Repair Info. CI	1

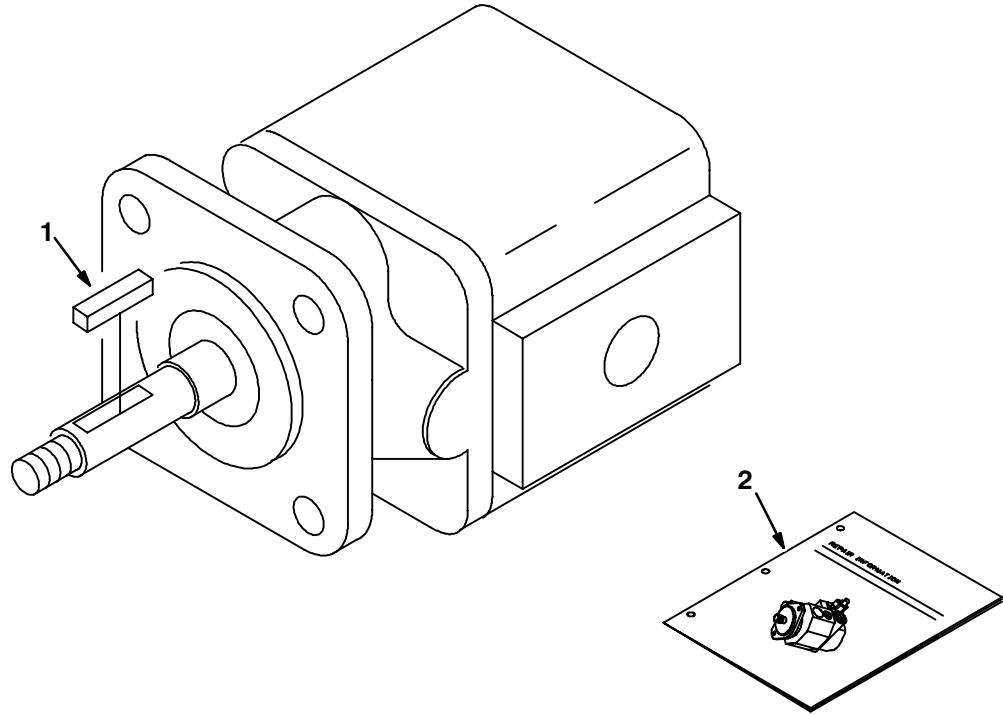
Fig. 2 – Hydraulic Motor Breakdown, 53435



07908/08926/09670

Ref.	TENNANT Part No.	Manufacturer Serial Number	Description	Qty.
▽	53435	(000000-)	Motor, Hydraulic	1
▲ 1	61490	(000000-)	Seal Kit	1
▲ 2	31354	(000000-)	Flange, Mounting	1
▲ 3	31373	(000000-)	Output Shaft	1
▲ 4	45628	(000000-)	Bearing Thrust	1
▲ 5	16695	(000000-)	Race, Thrust	1
▲ 6	31377	(000000-)	Drive	1
▲ 7	31384	(000000-)	Gerotor Set	1
▲ 8	37555	(000000-)	Screw	4
▲ 9	74100	(000000-)	Housing	1
▲ 10	74094	(000000-)	Spacer Plate	1
▲ 11	74101	(000000-)	End Cap	1
▲ 12	74102	(000000-)	Screw, Cap	5
▲ 13	74250	(000000-)	Repair Info.	1

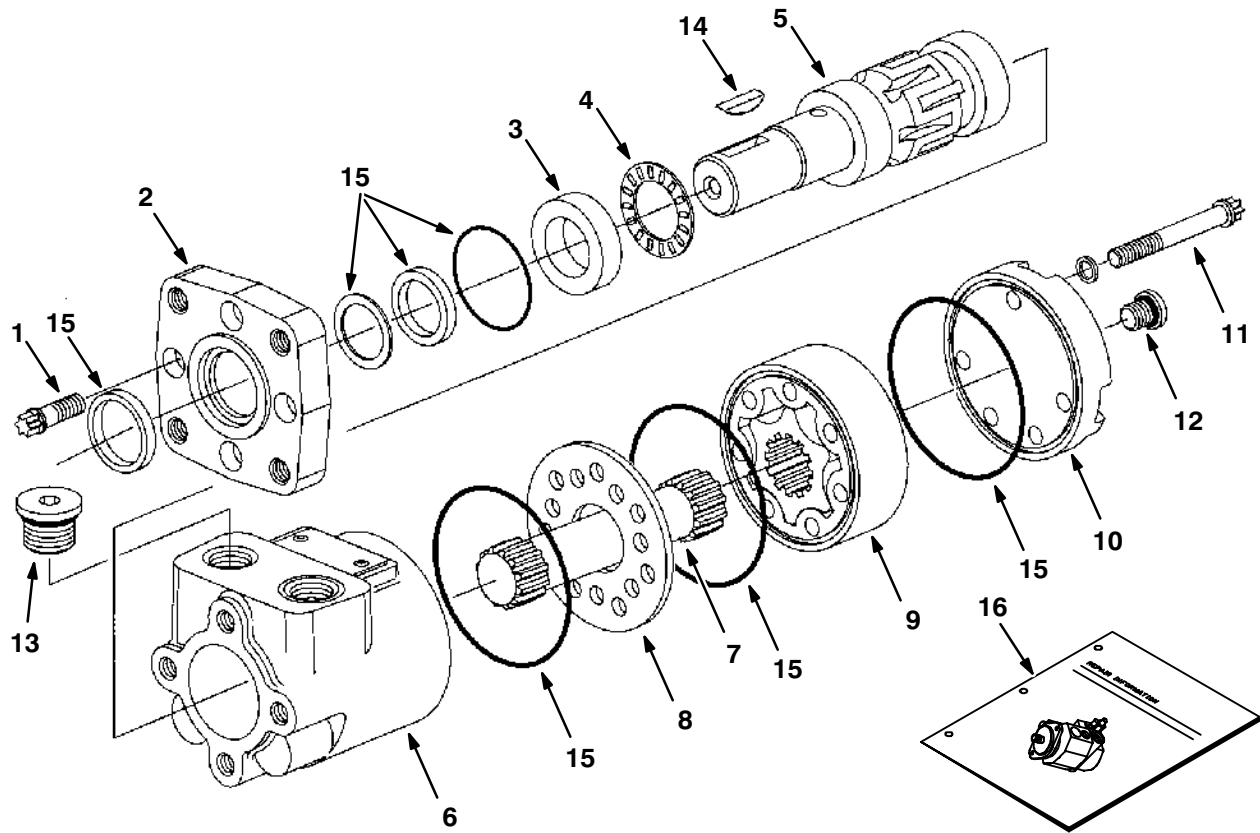
Fig. 3 – Hydraulic Motor Breakdown, 73098



09659/09664/09670

Ref.	TENNANT Part No.	Manufacturer Serial Number	Description	Qty.
▽	73098	(000000–)	Motor, Hyd Gear Ex 0.26 R 3000	1
▲ 1	00960	(000000–)	Key Square 0.12 0.12 00.50 Lg	1
▲	74233	(000000–)	Seal Kit, Hyd Mtr Gear Bn	1
2	IB3614	(000000–)	Repair Info.	1

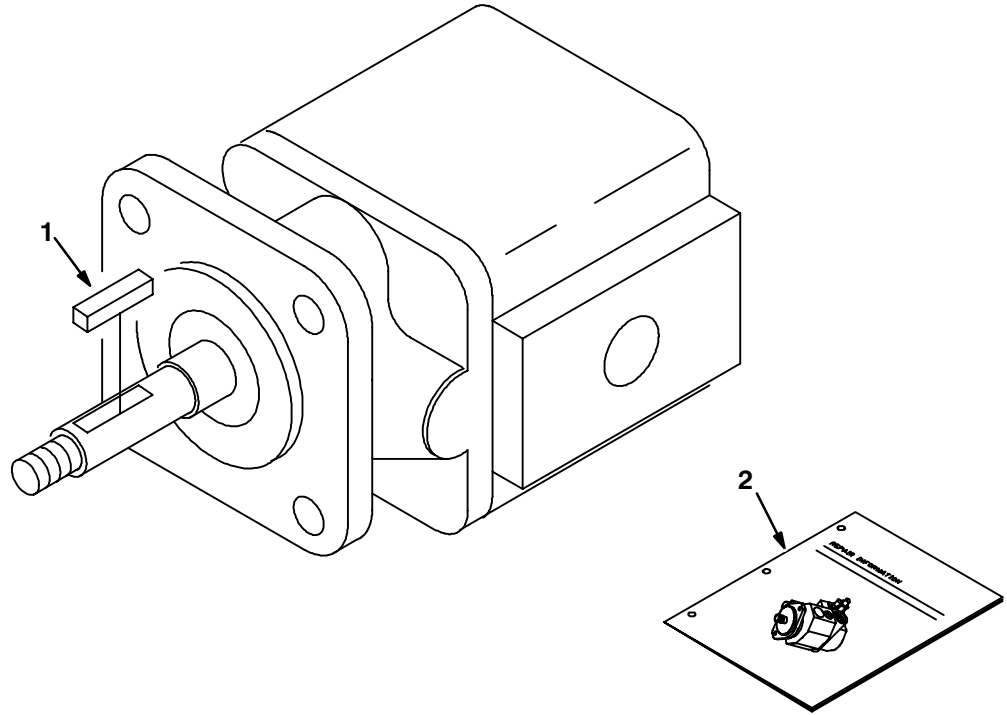
Fig. 4 – Hydraulic Motor Breakdown, 73090



09609/09610/09670

Ref.	TENNANT Part No.	Manufacturer Serial Number	Description	Qty.
▽	73090	(000000-)	Motor, Hyd Gear in 07.3 B 1500	1
▲ 1	37555	(000000-)	Cap, Screw	4
▲ 2	31354	(000000-)	Flange Mounting	1
▲ 3	16695	(000000-)	Race Thrust	1
▲ 4	45628	(000000-)	Thrust Bearing	1
▲ 5	28854	(000000-)	Shaft, Output	1
▲ 6	74100	(000000-)	Housing Cl	1
▲ 7	74175	(000000-)	Drive Cl	1
▲ 8	74094	(000000-)	Spacer Plate Cl	1
▲ 9	74177	(000000-)	Gerotor Assy Cl	1
▲ 10	74095	(000000-)	End Cap Cl	1
▲ 11	74178	(000000-)	Screw Cap Cl	5
▲ 12	74098	(000000-)	Plug Assembly Ph	1
▲ 13	74099	(000000-)	Plug Assembly Ph	2
▲ 14	00500-15	(000000-)	Key-Wdruff 0.25 1.00 Asa#0808	1
▲ 15	61490	(000000-)	Seal Replmt Kit	1
▲ 16	74250	(000000-)	Repair Info. Cl	1

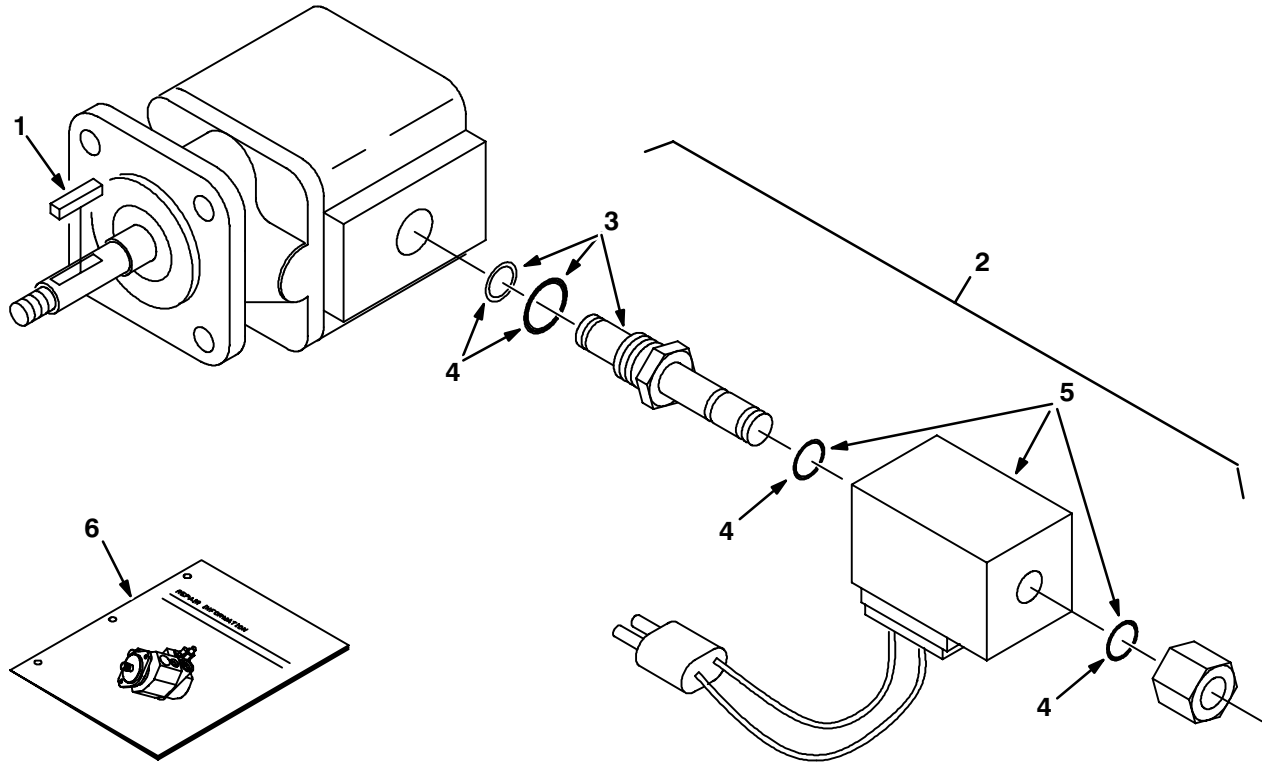
Fig. 5 – Hydraulic Motor Breakdown, 73112



09663/09664/09670

Ref.	TENNANT Part No.	Manufacturer Serial Number	Description	Qty.
∇	73112	(000000–)	Motor, Hyd Gear Ex 0.13 L 3000	1
▲ 1	00954	(000000–)	Key Square 0.12 0.12 01.00 Lg	1
▲	74233	(000000–)	Seal Kit, Hyd Mtr Gear Bn	1
2	IB3614	(000000–)	Repair Info.	1

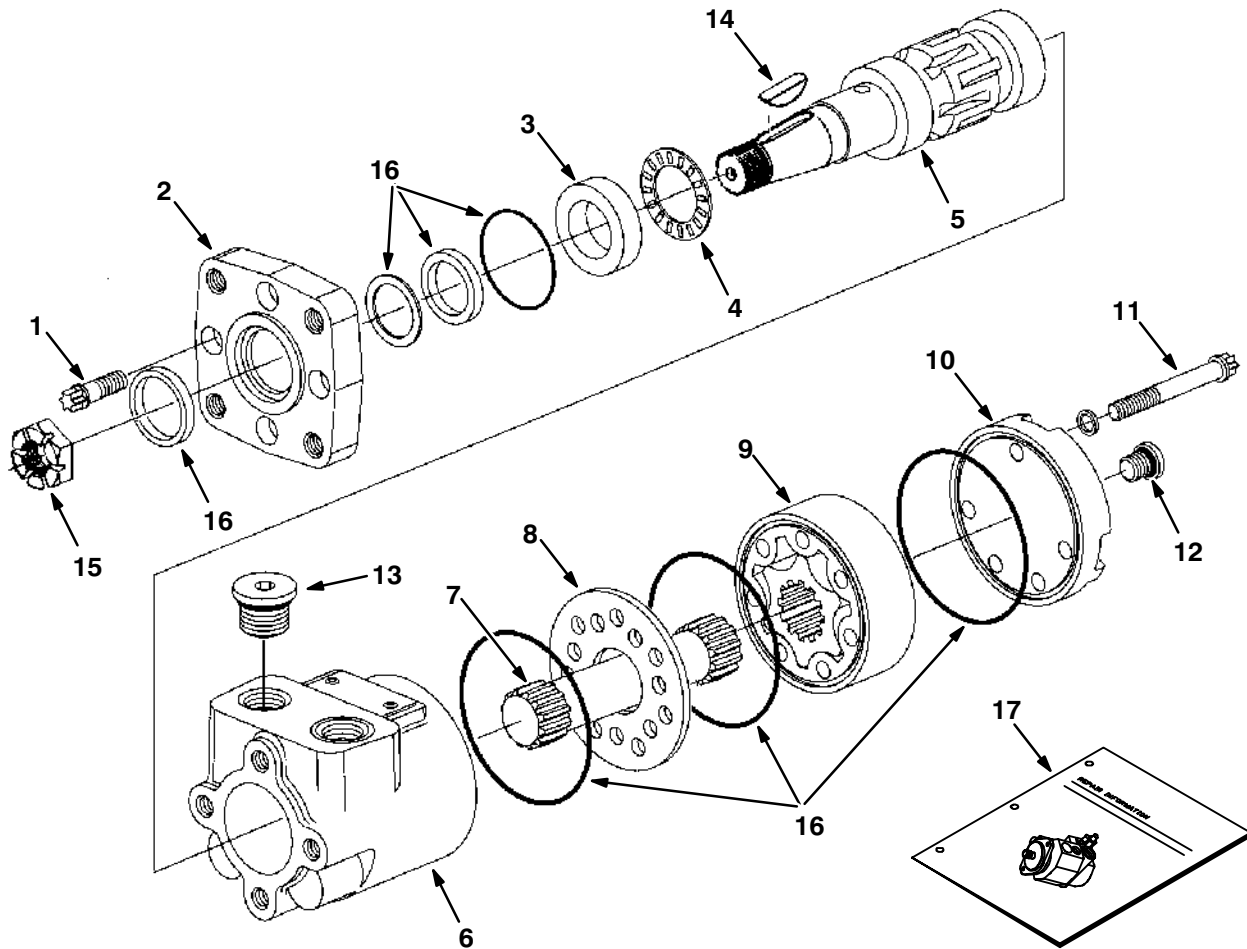
Fig. 6 – Hydraulic Motor Breakdown, 53485



07909/07490/09670

Ref.	TENNANT Part No.	Manufacturer Serial Number	Description	Qty.
▽	53485	(000000–)	Motor, Hydraulic	1
▲	74233	(000000–)	Seal Kit, Motor	1
▲ 1	00966	(000000–)	Key	1
▲▽	54095	(000000–)	Valve Assembly, Solenoid	1
▲▲	59378	(000000–)	Cartridge, Solenoid Valve	1
▲▲	48813	(000000–)	Seal Kit, One Cartridge	1
▲▲	35493	(000000–)	Coil	1
6	IB3614	(000000–)	Repair Info.	1

Fig. 7 – Hydraulic Motor Breakdown, 74468



09669/09606/09670

Ref.	TENNANT Part No.	Manufacturer Serial Number	Description	Qty.
▽	74468	(000000-)	Motor, Hyd Gear In 02.8 B 1500	1
▲	1 37555	(000000-)	Cap, Screw	4
▲	2 31354	(000000-)	Flange Mounting	1
▲	3 16695	(000000-)	Race Thrust	1
▲	4 45628	(000000-)	Thrust Bearing	1
▲	5 31375	(000000-)	Shaft, Output	1
▲	6 74100	(000000-)	Housing Cl	1
▲	7 34176	(000000-)	Drive	1
▲	8 74094	(000000-)	Spacer Plate Cl	1
▲	9 31381	(000000-)	Gerotor Set	1
▲	10 74095	(000000-)	End, Cap	1
▲	11 74174	(000000-)	Cap, Screw Cl	5
▲	12 74098	(000000-)	Plug Assembly Ph	1
▲	13 74099	(000000-)	Plug Assembly Ph	2
▲	14 00500-15	(000000-)	Key-Wdruff 0.25 1.00 Asa#0808	1
▲	15 39527	(000000-)	Nut-Hxslot .75-16 Pltd	1
▲	16 61490	(000000-)	Seal Replmt Kit	1
▲	17 74250	(000000-)	Repair Info. Cl	1

Fig. 8 – Hydraulic Steering Valve Breakdown, 73093

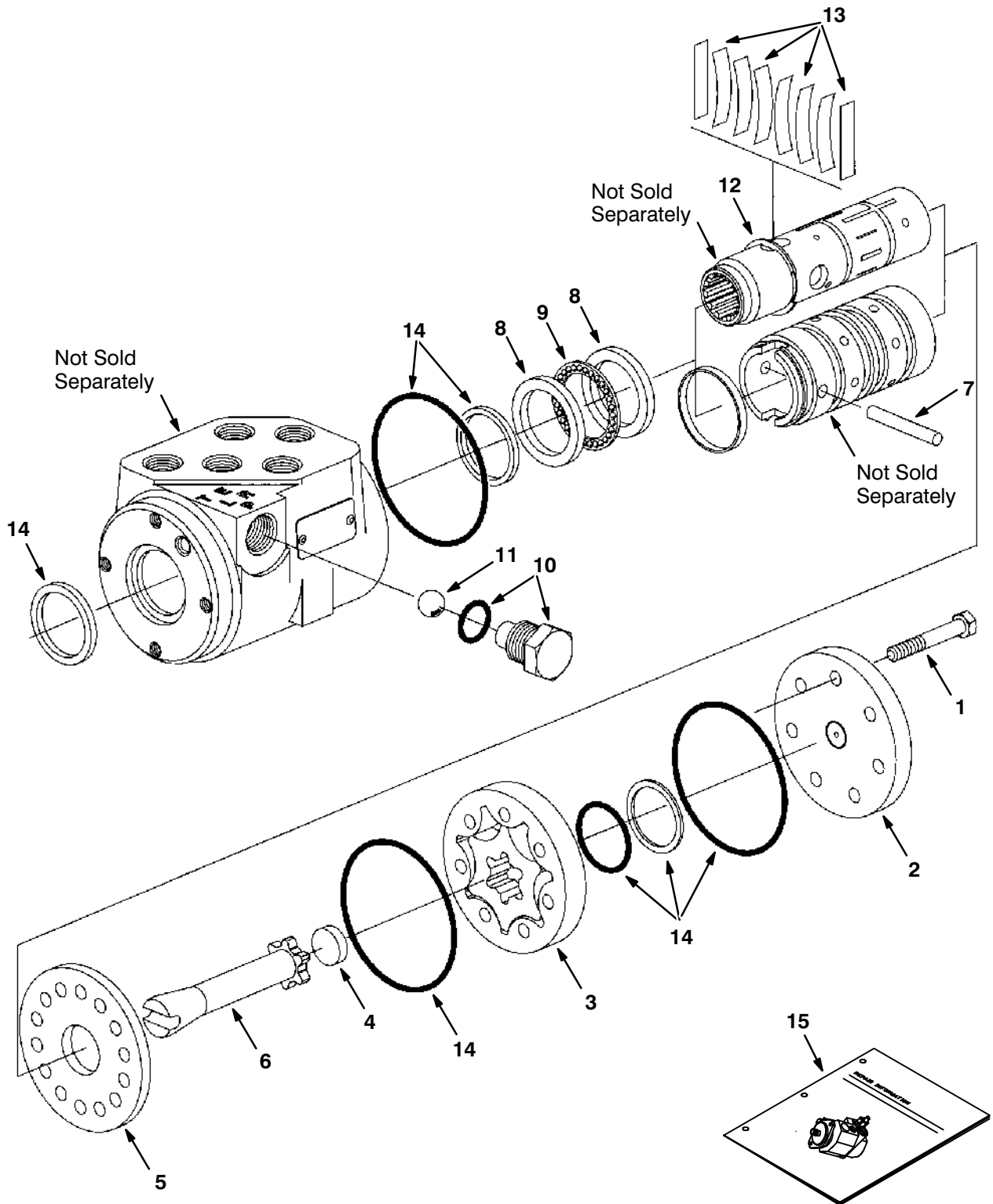


Fig. 8 – Hydraulic Steering Valve Breakdown, 73093

Ref.	TENNANT Part No.	Manufacturer Serial Number	Description	Qty.
▽	73093	(000000–)	Steer Control, NYD#2 06.1 1000	1
▲ 1	74183	(000000–)	Screw, Cap CI	7
▲ 2	74185	(000000–)	Cap, End CI	1
▲ 3	74192	(000000–)	Gerotor S/A CI	1
▲ 4	74193	(000000–)	Spacer CI	1
▲ 5	74222	(000000–)	Plate, Wear CI	1
▲ 6	74231	(000000–)	Drive CI	1
▲ 7	74232	(000000–)	Pin CI	1
▲ 8	74234	(000000–)	Race, Bearing CI	2
▲ 9	74236	(000000–)	Bearing CI	1
▲ 10	74241	(000000–)	Plug Assy CI	1
▲ 11	74242	(000000–)	Ball CI	1
▲ 12	74243	(000000–)	Ring, Retaining CI	1
▲ 13	74196	(000000–)	Spring Kit, Scu CI	1
▲ 14	74244	(000000–)	Seal Kit, Stg CI	1
15	74245	(000000–)	Repair Info CI	1

Fig. 9 – Hydraulic Pump Breakdown, 73101

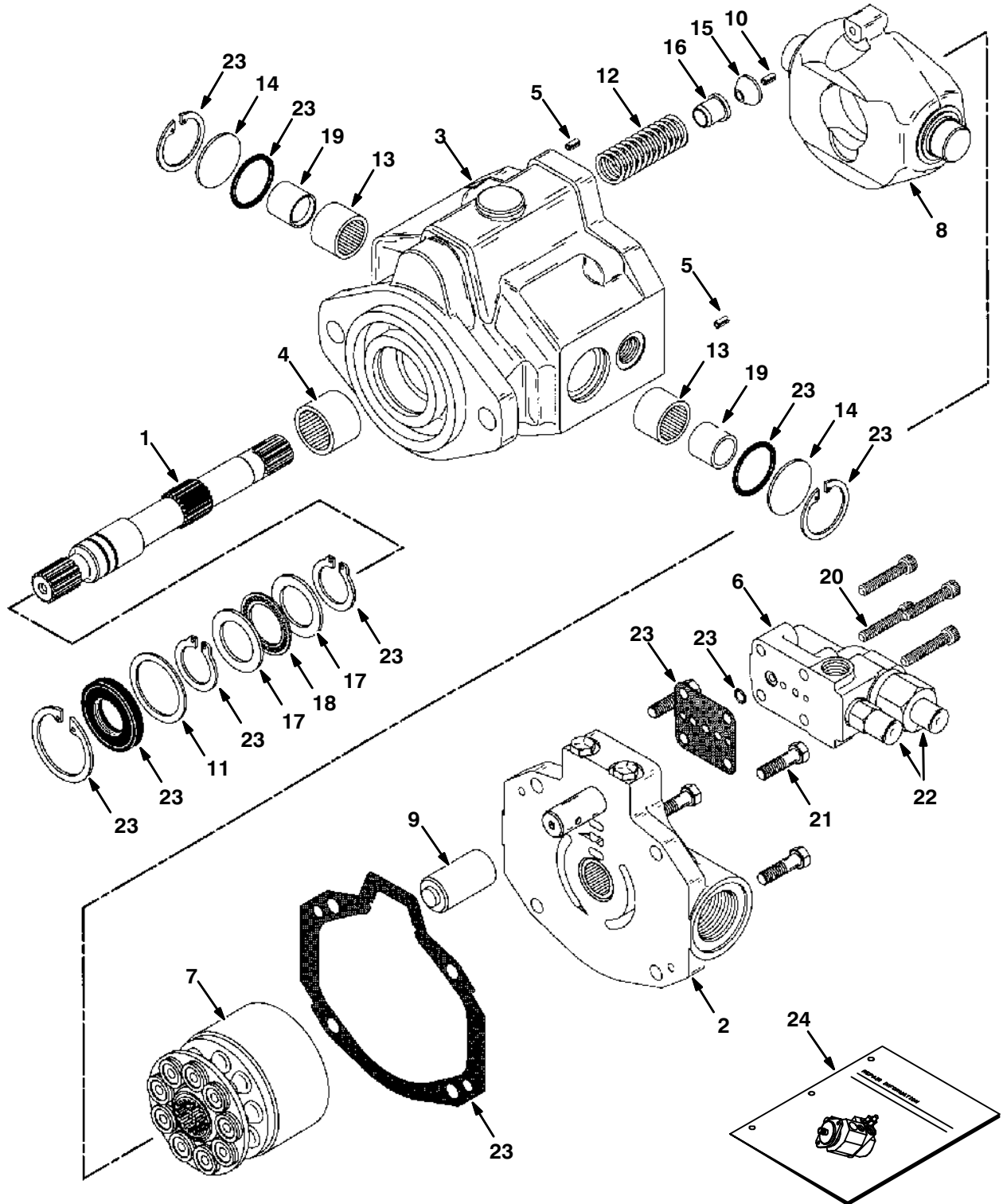


Fig. 9 – Hydraulic Pump Breakdown, 73101

Ref.	TENNANT Part No.	Manufacturer Serial Number	Description	Qty.
▽	73101	(000000–)	Pump, Hyd Piston L 2.77 R 2500	1
▲ 1	74199	(000000–)	Shaft, Drive Ce	1
▲ 2	74200	(000000–)	Backplate S/A Ce	1
▲▽ 3	74201	(000000–)	Housing Assy Ce	1
▲▲ 4	37462	(000000–)	Bearing	1
▲▲ 5	37704	(000000–)	Rollpin	2
▲ 6	74202	(000000–)	Compensator Ce	1
▲ 7	74203	(000000–)	Rotating Kit Ce	1
▲ 8	74204	(000000–)	Camplate Ce	1
▲ 9	74205	(000000–)	Piston, Control Ce	1
▲ 10	74206	(000000–)	Pin, Roll Ce	1
▲ 11	37460	(000000–)	Washer	1
▲ 12	74207	(000000–)	Spring Ce	1
▲ 13	37448	(000000–)	Bearing	2
▲ 14	37471	(000000–)	Cover	2
▲ 15	74208	(000000–)	Button, Pivot Ce	1
▲ 16	74209	(000000–)	Collar, Spring Ce	1
▲ 17	74240	(000000–)	Race, Bearing Ce	2
▲ 18	74210	(000000–)	Bearing Ce	1
▲ 19	37454	(000000–)	Bearing Race	2
▲ 20	74211	(000000–)	Screw, Cap Ce	4
▲ 21	74212	(000000–)	Screw, Cap Ce	4
▲ 22	74213	(000000–)	Cover Ce	2
▲ 23	74198	(000000–)	Seal Kit, Pump Ce	1
▲ 24	74247	(000000–)	Repair Info. Ce	1

Fig. 10 – Hydraulic Pump Breakdown, 73102

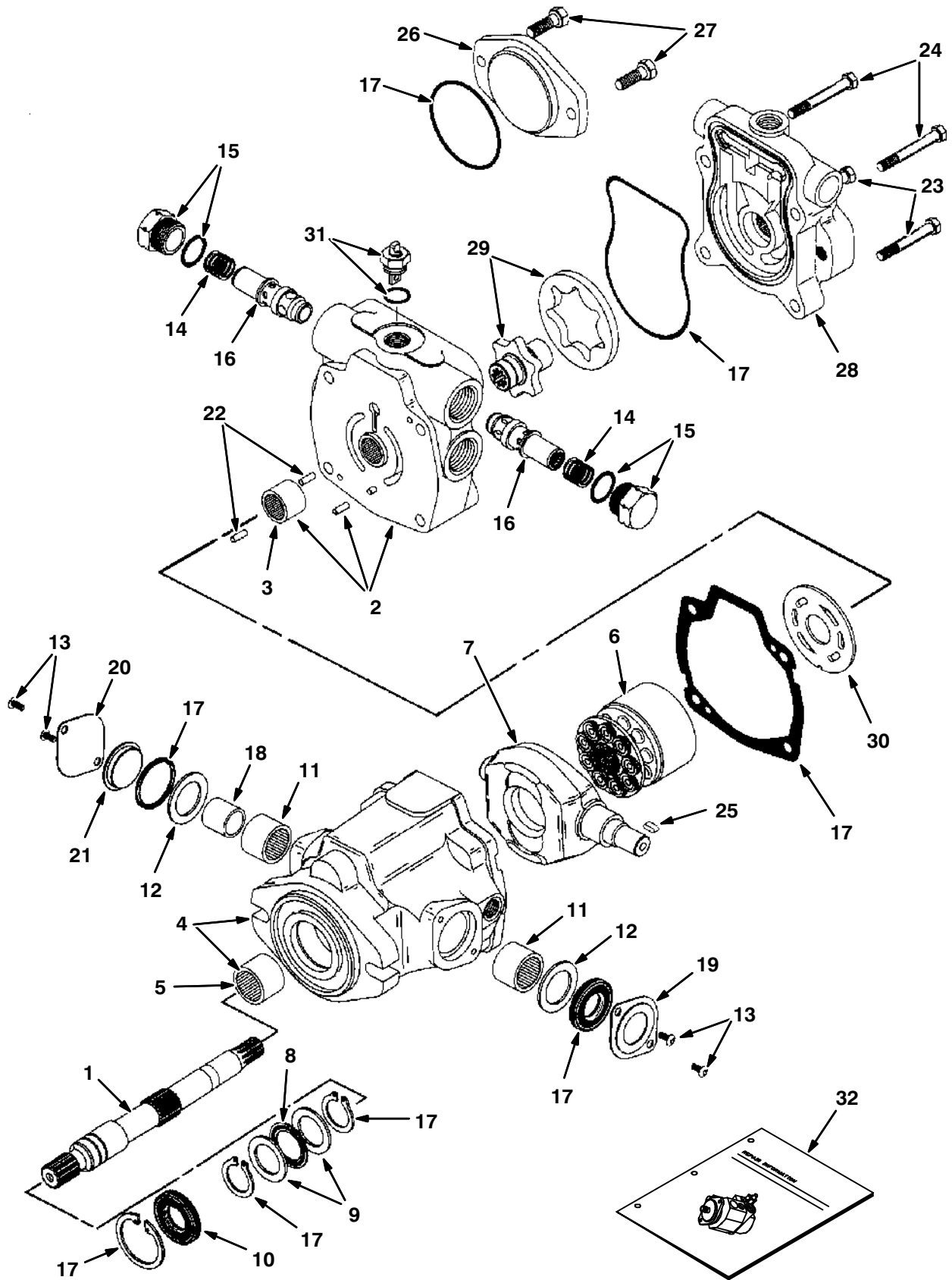


Fig. 10 – Hydraulic Pump Breakdown, 73102

Ref.	TENNANT Part No.	Manufacturer Serial Number	Description	Qty.
▽	73102	(000000–)	Pump, Hyd Piston V 1.24	1
▲ 1	74221	(000000–)	Shaft, Drive	1
▲ 2	70094	(000000–)	Backplate Assy	1
▲ 3	55937	(000000–)	Roller Bearing	1
▲ 4	70095	(000000–)	Housing Assy, Pump	1
▲ 5	55939	(000000–)	Roller Bearing	1
▲ 6	02706	(000000–)	Rotating Kit	1
▲ 7	57897	(000000–)	Camplate	1
▲ 8	74225	(000000–)	Bearing, Thrust	1
▲ 9	74226	(000000–)	Race, Bearing	2
▲ 10	74227	(000000–)	Spacer	1
▲ 11	02709	(000000–)	Bearing Cam	2
▲ 12	70097	(000000–)	Washer	2
▲ 13	61891	(000000–)	Screws	4
▲ 14	74229	(000000–)	Spring	2
▲ 15	74230	(000000–)	Plug S/A	2
▲ 16	55941	(000000–)	Relief Valve	2
▲ 17	70103	(000000–)	Seal Kit, Pump	1
▲ 18	02705	(000000–)	Race, Inner Bearing	1
▲ 19	52386	(000000–)	Cover	1
▲ 20	70098	(000000–)	Cover, Trunion	1
▲ 21	70099	(000000–)	Cover, O–Ring	1
▲ 22	70100	(000000–)	Pin, Dowel	2
▲ 23	74235	(000000–)	Screw, Cap	2
▲ 24	70101	(000000–)	Screw, .31–18X3.75	2
▲ 25	74237	(000000–)	Key	1
▲ 26	74238	(000000–)	Plate, Cover	1
▲ 27	74239	(000000–)	Screw, Cap	2
▲ 28	55930	(000000–)	Pump Adaptor Assy	1
▲ 29	55932	(000000–)	Geroter & Coupler	1
▲ 30	70102	(000000–)	Plate, Valve	1
▲ 31	74469	(000000–)	Valve, Dump	1
▲ 32	74248	(000000–)	Repair Info, Pmp CE	1

Fig. 11 – Hydraulic Pump Breakdown, 79770

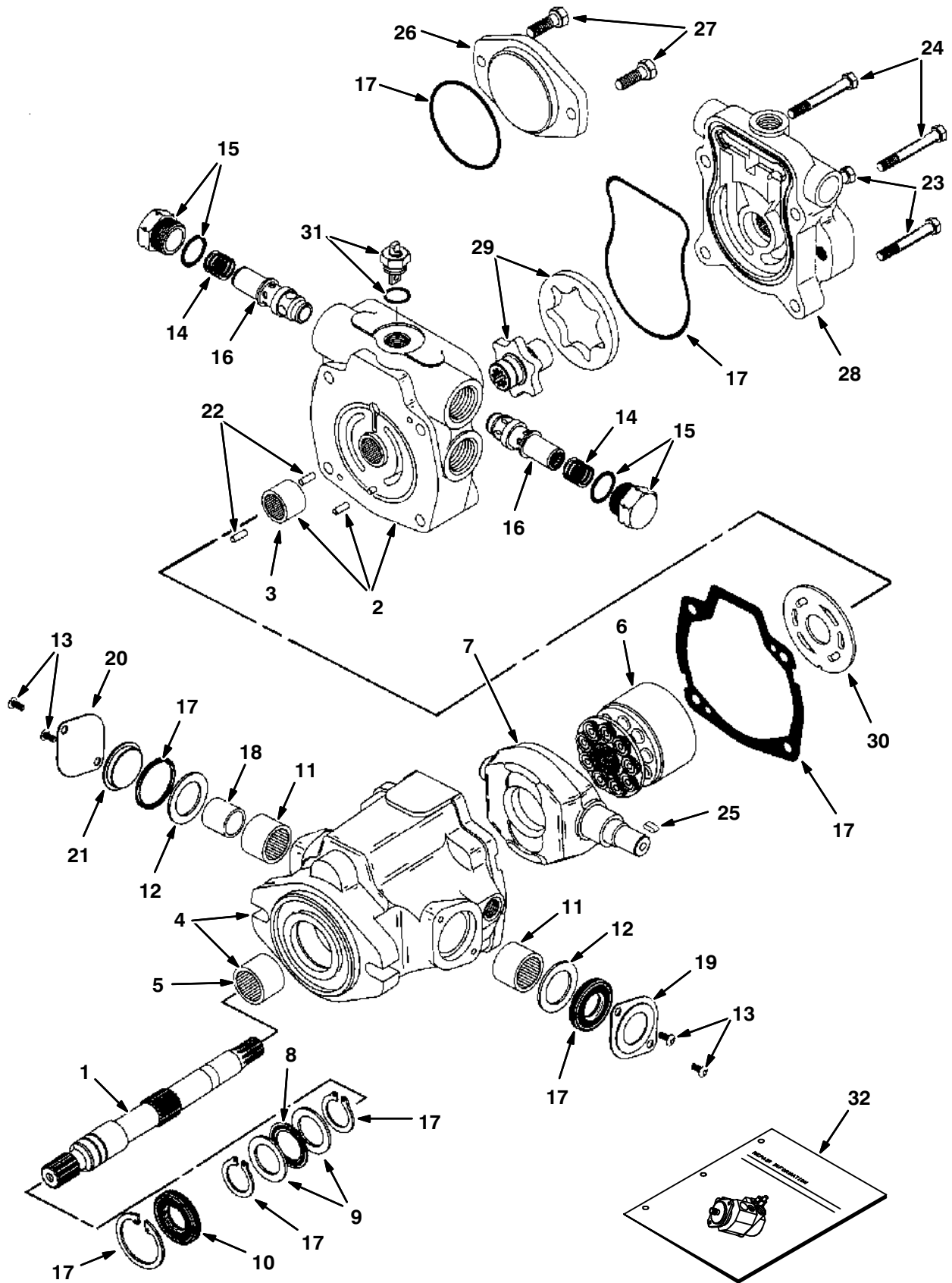


Fig. 11 – Hydraulic Pump Breakdown, 79770

Ref.	TENNANT Part No.	Manufacturer Serial Number	Description	Qty.
▽	79770	(000000–)	Pump, Hyd Piston V 1.24 R 4000	1
▲ 1	74221	(000000–)	Shaft, Drive	1
▲ 2	70094	(000000–)	Backplate Assy	1
▲ 3	55937	(000000–)	Roller Bearing	1
▲ 4	70095	(000000–)	Housing Assy, Pump	1
▲ 5	55939	(000000–)	Roller Bearing	1
▲ 6	02706	(000000–)	Rotating Kit	1
▲ 7	57897	(000000–)	Camplate	1
▲ 8	74225	(000000–)	Bearing, Thrust	1
▲ 9	74226	(000000–)	Race, Bearing	2
▲ 10	74227	(000000–)	Spacer	1
▲ 11	02709	(000000–)	Bearing Cam	2
▲ 12	70097	(000000–)	Washer	2
▲ 13	61891	(000000–)	Screws	4
▲ 14	74229	(000000–)	Spring	2
▲ 15	74230	(000000–)	Plug S/A	2
▲ 16	55941	(000000–)	Relief Valve	2
▲ 17	70103	(000000–)	Seal Kit, Pump	1
▲ 18	02705	(000000–)	Race, Inner Bearing	1
▲ 19	52386	(000000–)	Cover	1
▲ 20	70098	(000000–)	Cover, Trunion	1
▲ 21	70099	(000000–)	Cover, O–Ring	1
▲ 22	70100	(000000–)	Pin, Dowel	2
▲ 23	74235	(000000–)	Screw, Cap	2
▲ 24	70101	(000000–)	Screw, .31–18X3.75	2
▲ 25	74237	(000000–)	Key	1
▲ 26	74238	(000000–)	Plate, Cover	1
▲ 27	74239	(000000–)	Screw, Cap	2
▲ 28	55930	(000000–)	Pump Adaptor Assy	1
▲ 29	55932	(000000–)	Geroter & Coupler	1
▲ 30	74180	(000000–)	Plate, Valve	1
▲ 31	74469	(000000–)	Valve, Dump	1
▲ 32	74248	(000000–)	Repair Info, Pmp CE	1

Fig. 12 – Hydraulic Solenoid Valve Breakdown, 73086

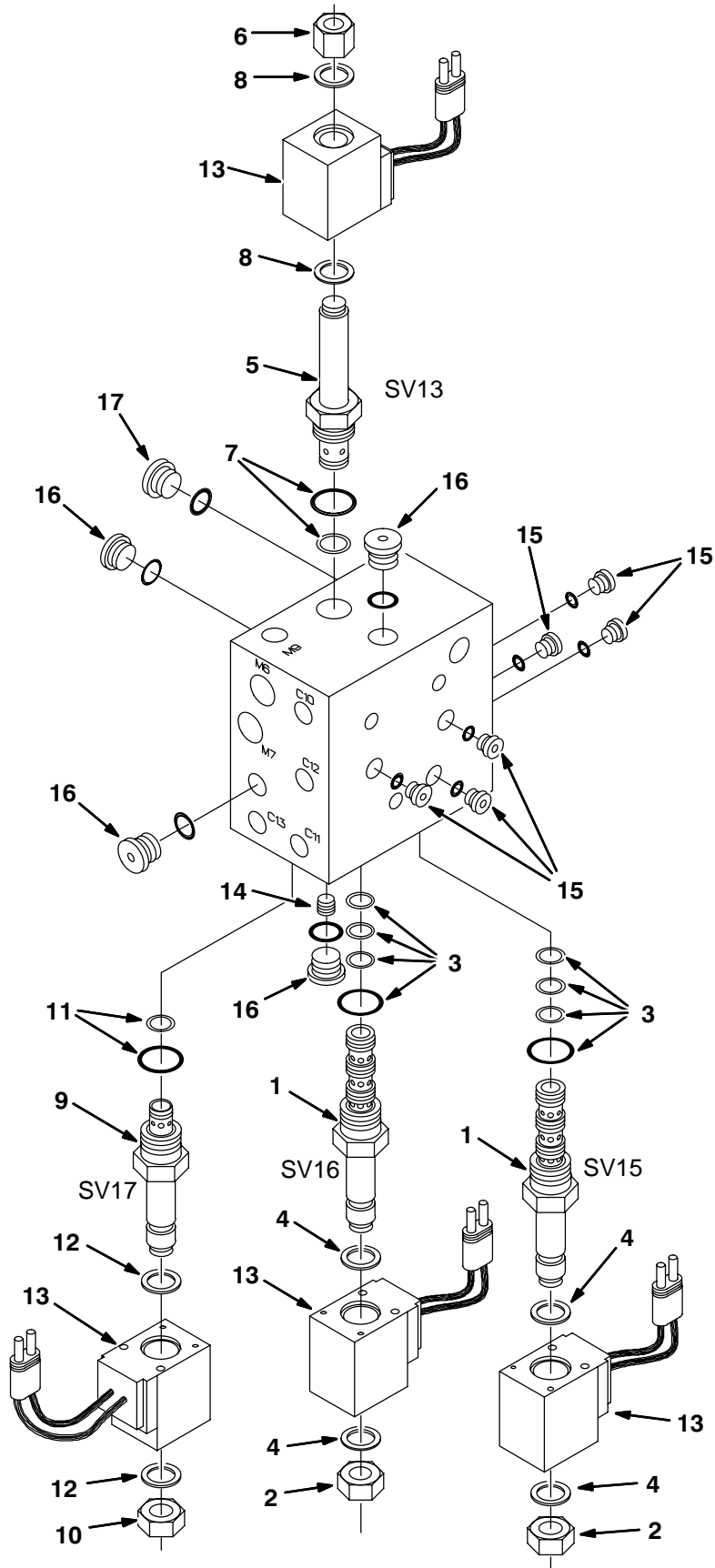


Fig. 12 – Hydraulic Solenoid Valve Breakdown, 73086

Ref.	TENNANT Part No.	Manufacturer Serial Number	Description	Qty.
▽	73086	(000000–)	Valve, Hyd Cntrl Sol	1
▲▽ 1	79719	(000000–)	Valve Stem 4W2P	2
▲▲ 2	79728	(000000–)	Nut, Cart., Sht Cp	1
▲▲ 3	79711	(000000–)	Seal Kit, Cart Cp	1
▲▲ 4	79740	(000000–)	Seal Kit, Coil Cp	1
▲▽ 5	79732	(000000–)	Valve Stem N.O. Cp	1
▲▲ 6	79731	(000000–)	Nut, Cart., Lng Cp	1
▲▲ 7	79711	(000000–)	Seal Kit, Cart Cp	1
▲▲ 8	79740	(000000–)	Seal Kit, Coil Cp	1
▲▽ 9	79716	(000000–)	Valve Stem	1
▲▲ 10	79728	(000000–)	Nut, Cart., Sht Cp	1
▲▲ 11	79711	(000000–)	Seal Kit, Cart Cp	1
▲▲ 12	79740	(000000–)	Seal Kit, Coil Cp	1
▲ 13	79720	(000000–)	Coil, 12V	4
▲ 14	79733	(000000–)	Plug, Orifice Cp	1
▲ 15	13902	(000000–)	Plug #2	6
▲ 16	74098	(000000–)	Plug #4	4
▲ 17	13904	(000000–)	Plug #6	1

Fig. 13 – Hydraulic Solenoid Valve Breakdown, 73103

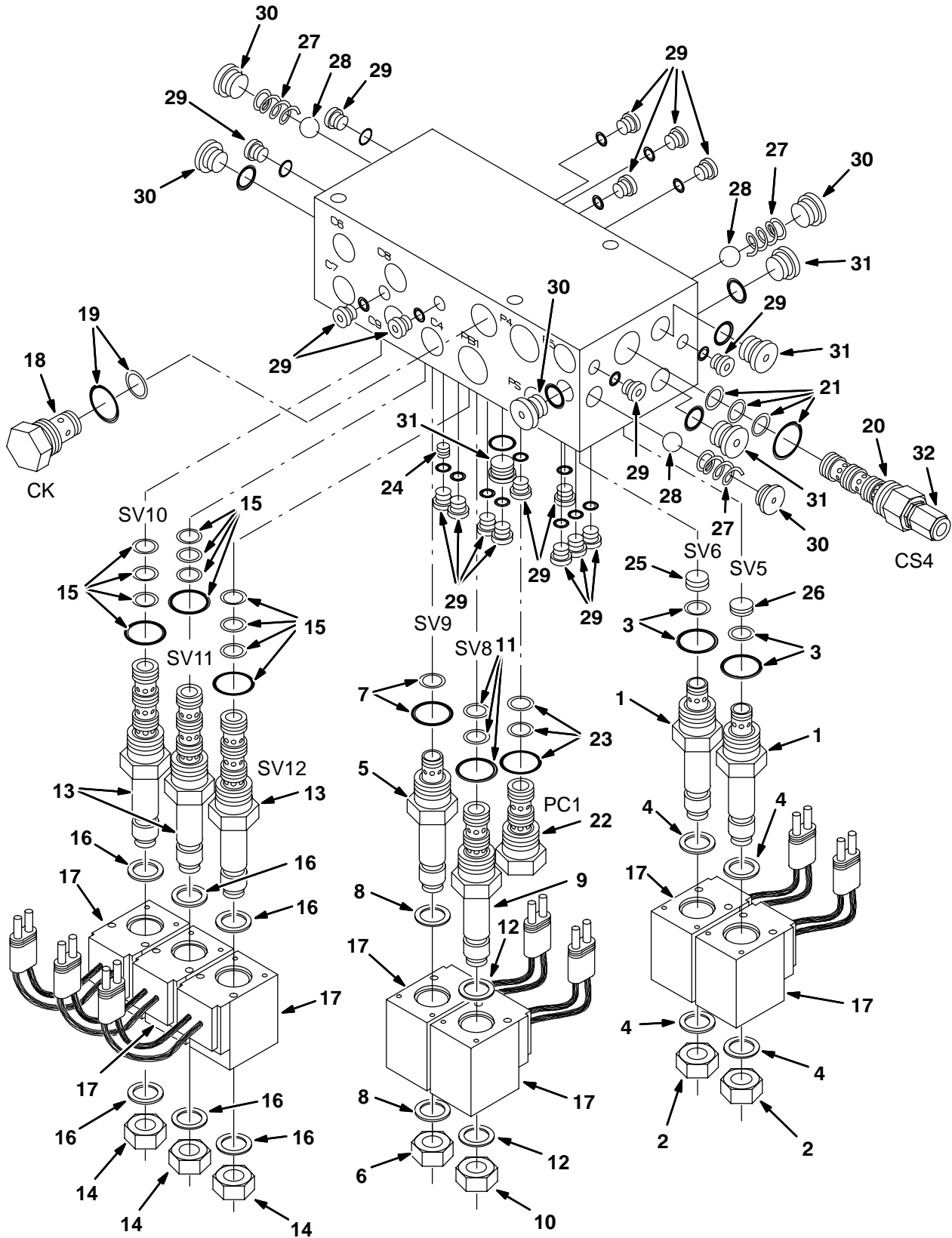


Fig. 13 – Hydraulic Solenoid Valve Breakdown, 73103

Ref.	TENNANT Part No.	Manufacturer Serial Number	Description	Qty.
▽	73103	(000000–)	Valve, Hyd Control Sol	1
▲▽ 1	79716	(000000–)	Valve Stem	2
▲▲ 2	79728	(000000–)	Nut, Cart., Sht Cp	1
▲▲ 3	79711	(000000–)	Seal Kit, Cart Cp	1
▲▲ 4	79740	(000000–)	Seal Kit, Coil Cp	1
▲▽ 5	22758	(000000–)	Valve Stem N.C. Cp	1
▲▲ 6	79728	(000000–)	Nut, Cart., Sht Cp	1
▲▲ 7	79711	(000000–)	Seal Kit, Cart Cp	1
▲▲ 8	79740	(000000–)	Seal Kit, Coil Cp	1
▲▽ 9	79718	(000000–)	Valve Stem 3W2P	1
▲▲ 10	79728	(000000–)	Nut, Cart., Sht Cp	1
▲▲ 11	79711	(000000–)	Seal Kit, Cart Cp	1
▲▲ 12	79740	(000000–)	Seal Kit, Coil Cp	1
▲▽ 13	79719	(000000–)	Valve Stem 4W2P	3
▲▲ 14	79728	(000000–)	Nut, Cart., Sht Cp	1
▲▲ 15	79711	(000000–)	Seal Kit, Cart Cp	1
▲▲ 16	79740	(000000–)	Seal Kit, Coil Cp	1
▲ 17	79720	(000000–)	Coil, 12V	7
▲▽ 18	79721	(000000–)	Cart, Check Vlv Cp	1
▲▲ 19	79711	(000000–)	Seal Kit, Cart Cp	1
▲▽ 20	79722	(000000–)	Cart, Logic Cntl Cp	1
▲▲ 21	79711	(000000–)	Seal Kit, Cart Cp	1
▲▽ 22	74145	(000000–)	Cart, Pilot Cntr Cp	1
▲▲ 23	79711	(000000–)	Seal Kit, Cart Cp	1
▲ 24	79723	(000000–)	Plug, Orifice Cp	1
▲ 25	79724	(000000–)	Plug, Orifice Cp	1
▲ 26	79725	(000000–)	Plug, Orifice Cp	1
▲ 27	79726	(000000–)	Spring, Conical Cp	3
▲ 28	79727	(000000–)	Ball, .313 Dia. Cp	3
▲ 29	13902	(000000–)	Plug #2	17
▲ 30	74098	(000000–)	Plug #4	4
▲ 31	13904	(000000–)	Plug #6	4
▲ 32	21930	(000000–)	Screw Cap CP	1

Fig. 14 – Hydraulic Solenoid Valve Breakdown, 73099

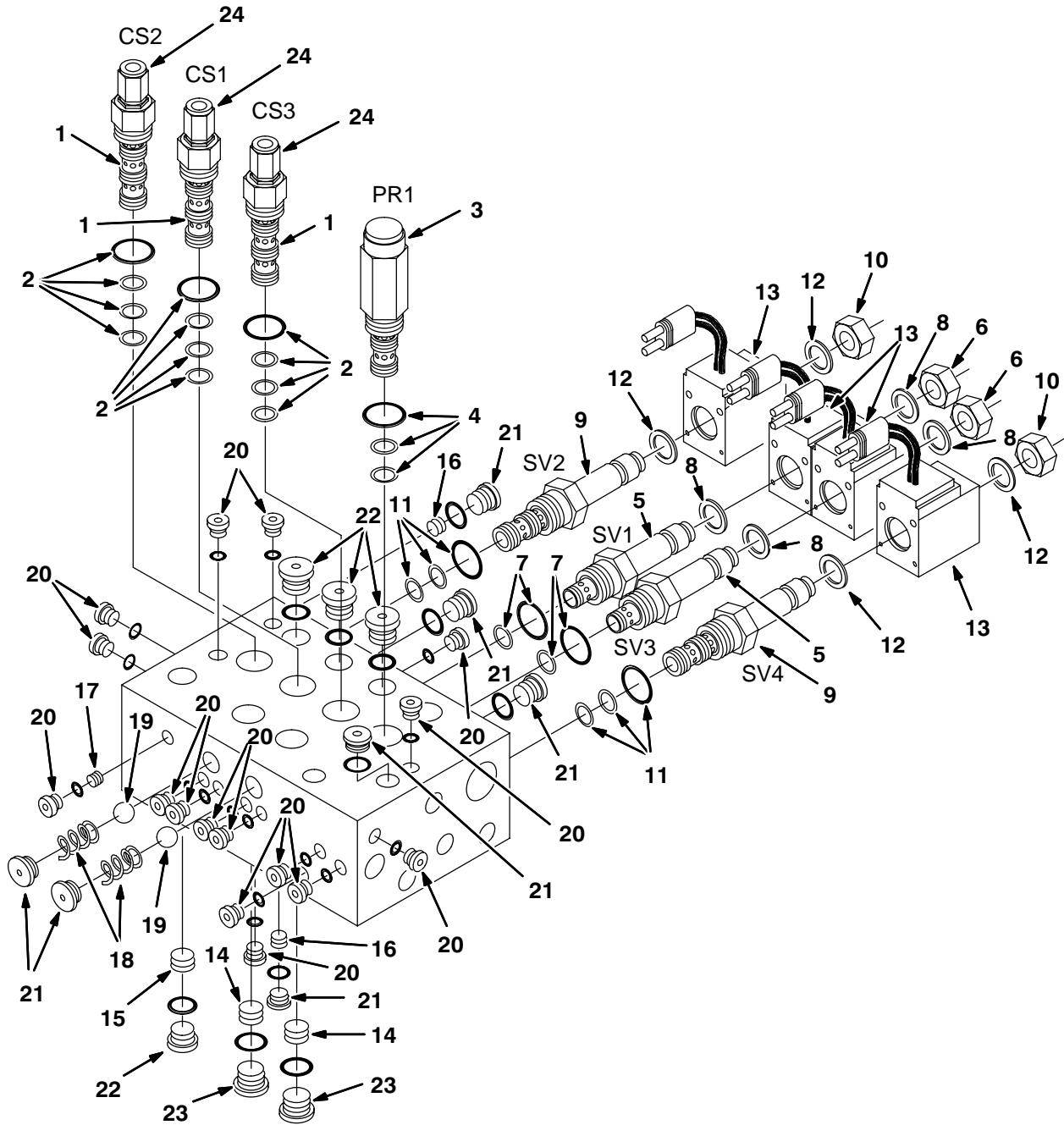


Fig. 14 – Hydraulic Solenoid Valve Breakdown, 73099

Ref.	TENNANT Part No.	Manufacturer Serial Number	Description	Qty.
▽	73099	(000000–)	Valve, Hyd Control Sol	1
▲▽ 1	79722	(000000–)	Cart, Logic Cntl Cp	3
▲▲ 2	79711	(000000–)	Seal Kit, Cart Cp	1
▲▽ 3	79734	(000000–)	Cart. Psi Ct Cp	1
▲▲ 4	79711	(000000–)	Seal Kit, Cart Cp	1
▲▽ 5	79716	(000000–)	Valve Stem	2
▲▲ 6	79728	(000000–)	Nut, Cart., Sht Cp	1
▲▲ 7	79711	(000000–)	Seal Kit, Cart Cp	1
▲▲ 8	79740	(000000–)	Seal Kit, Coil Cp	1
▲▽ 9	79718	(000000–)	Valve Stem 3W2P	2
▲▲ 10	79728	(000000–)	Nut, Cart., Sht Cp	1
▲▲ 11	79711	(000000–)	Seal Kit, Cart Cp	1
▲▲ 12	79740	(000000–)	Seal Kit, Coil Cp	1
▲ 13	79720	(000000–)	Coil, 12V	4
▲ 14	79735	(000000–)	Plug, Orifice Cp	2
▲ 15	79736	(000000–)	Plug, Orifice Cp	1
▲ 16	79723	(000000–)	Plug, Orifice Cp	2
▲ 17	79737	(000000–)	Plug, Orifice Cp	1
▲ 18	79726	(000000–)	Spring, Conical Cp	2
▲ 19	79727	(000000–)	Ball, .313 Dia. Cp	2
▲ 20	13902	(000000–)	Plug #2	17
▲ 21	74098	(000000–)	Plug #4	7
▲ 22	13904	(000000–)	Plug #6	4
▲ 23	13907	(000000–)	Plug #8	2
▲ 24	79738	(000000–)	Screw Cap Cp	3

Fig. 15 – Extended Scrub Pump Breakdown, 72955

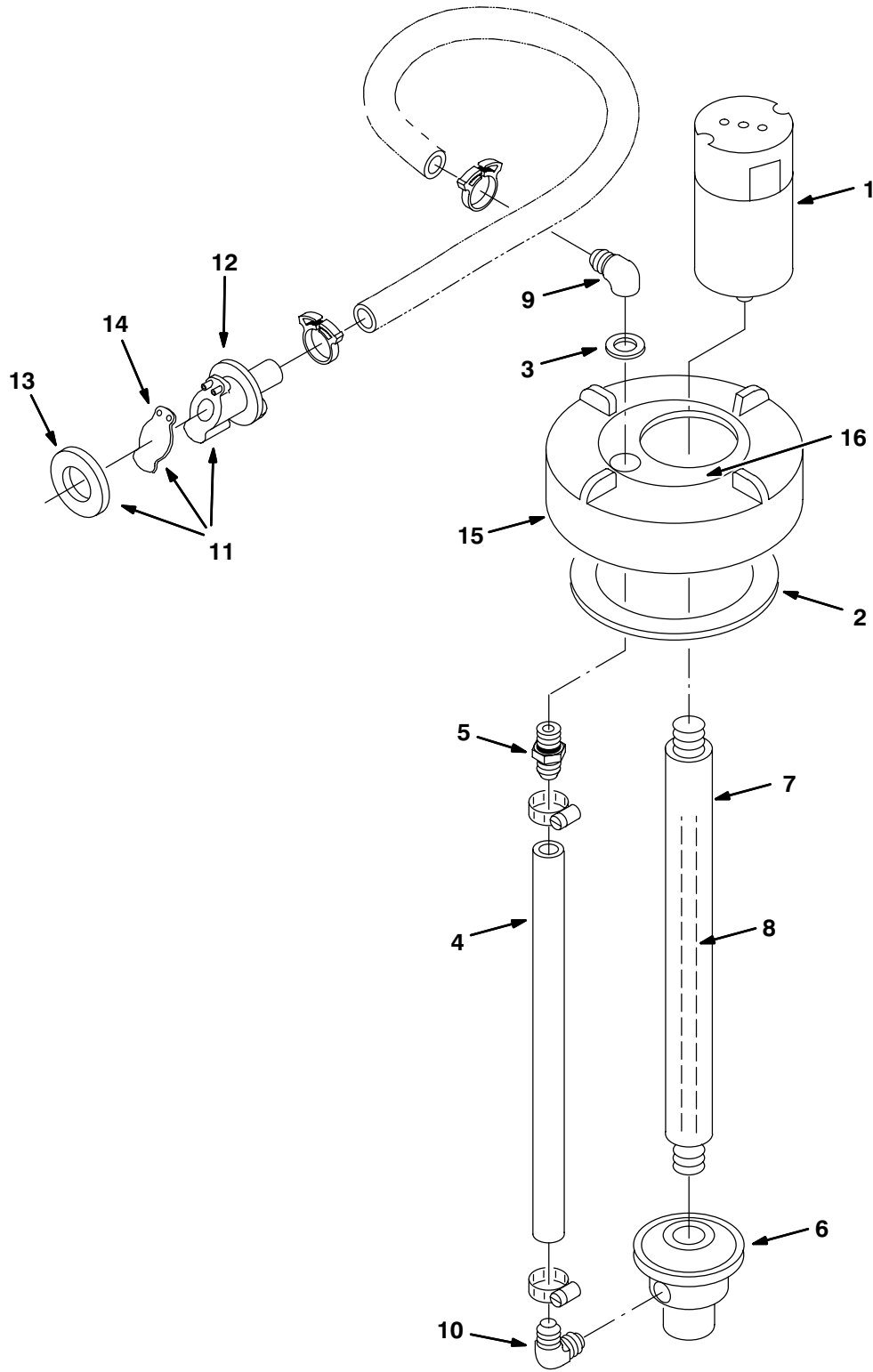
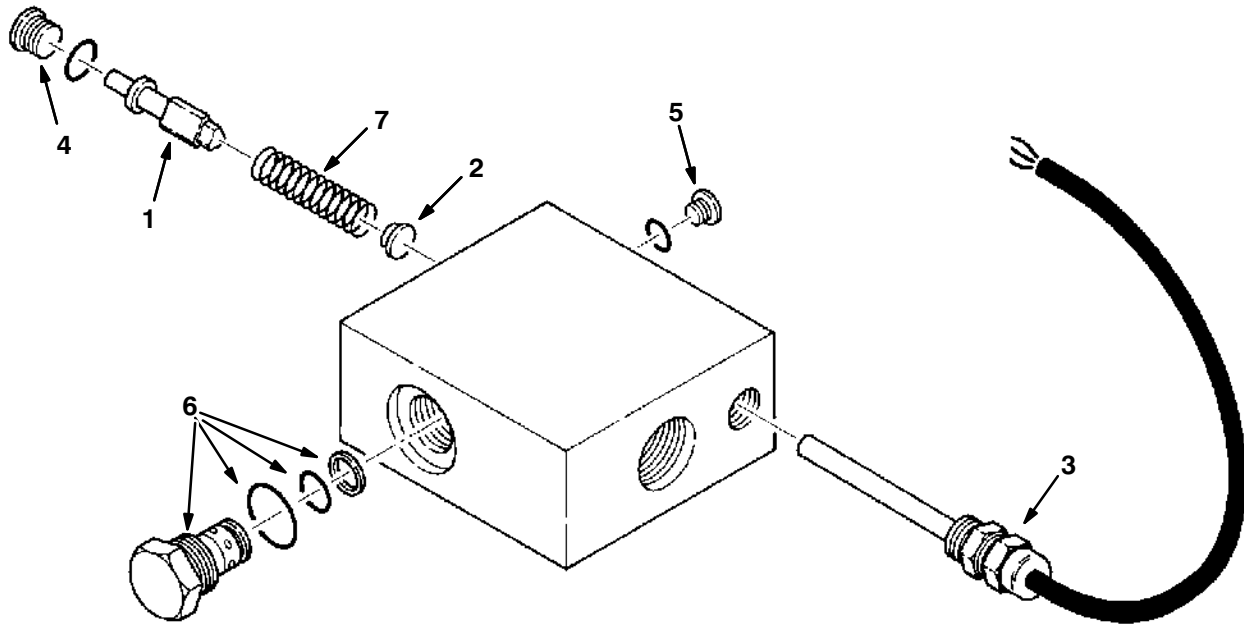


Fig. 15 – Extended Scrub Pump Breakdown, 72955

Ref.	TENNANT Part No.	Machine Serial Number	Description	Qty.
▽	72955	(000000–)	Pump, Column, Es	1
▲▽ 1	78828	(000000–)	Motor 12V Dc	1
▲▲	78829	(000000–)	Brush Kit	1
▲ 2	78963	(000000–)	Gasket, Lid	1
▲ 3	78830	(000000–)	Washer, Rubber Gr	1
▲ 4	78833	(000000–)	Tubing, Vinyl	1
▲ 5	79261	(000000–)	Fitting ,Str Gr	1
▲ 6	78843	(000000–)	Pump Body Kit	1
▲ 7	78836	(000000–)	Column, Pump	1
▲ 8	78837	(000000–)	Shaft, Pump	1
▲ 9	78838	(000000–)	Fitting, Elbow Gr	1
▲ 10	78839	(000000–)	Fitting , Elbow Gr	1
▲▽ 11	78842	(000000–)	Check Valve Kit	1
▲▲ 12	78840	(000000–)	Valve, Check	1
▲▲ 13	73342	(000000–)	Gasket, Check Valve	1
▲▲ 14	78841	(000000–)	Flapper, Valve	1
▲ 15	86575	(000000–)	Cap, Drain	1
▲ 16	22790	(000000–)	Retainer, Gasket	1

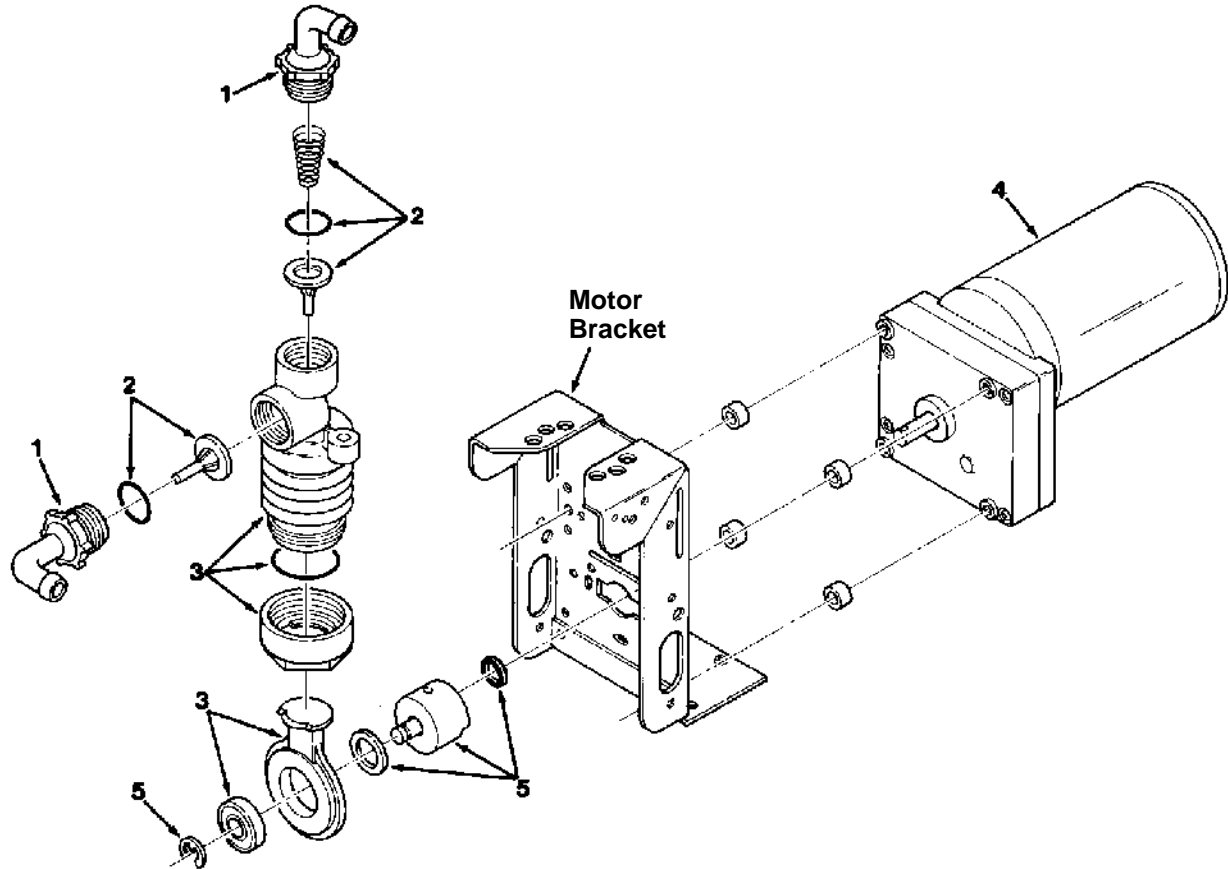
Fig. 16 – Hydraulic Flow Sensor Switch Breakdown, 73430



10834/10854

Ref.	TENNANT Part No.	Machine Serial Number	Description	Qty.
▽	73430	(000000–)	Switch, Hyd Flow Sensor	1
▲	1 79712	(000000–)	Actuator, Mag	1
▲	2 79713	(000000–)	Cushion, Piston	1
▲	3 79714	(000000–)	Switch Assy	1
▲	4 13904	(000000–)	Plug Gage #6	1
▲	5 13902	(000000–)	Plug #2	1
▲	6 79710	(000000–)	Cart, Check Vlv	1
▲	7 79715	(000000–)	Spring	1

Fig. 17 – Metering Solution Pump Breakdown, 73260



10940/00112

Ref.	TENNANT Part No.	Machine Serial Number	Description	Qty.
▽	73260	(000000–)	Pump, Detergent Metering	1
▲ 1	63923	(000000–)	Tubing Connctr.Kit, Pmp	1
▲ 2	21659	(000000–)	Valve Kit, Poppet	1
▲ 3	21657	(000000–)	Bellows Kit Gr	1
▲ 4	78875	(000000–)	Gear Motor Assy	1
▲ 5	02430	(000000–)	Crank Replmt.Kit,Pump F/79323	1

SECTION 5

CONTENTS

	PAGE
Fig. 1 – Crankcase	5-2
Fig. 2 – Oil Pan	5-4
Fig. 3 – Cylinder Head	5-5
Fig. 4 – Gear Case	5-6
Fig. 5 – Head Cover	5-8
Fig. 6 – Oil Filter	5-9
Fig. 7 – Dipstick And Guide	5-10
Fig. 8 – Main Bearing Case	5-11
Fig. 9 – Camshaft	5-12
Fig. 10 – Piston And Crankshaft	5-14
Fig. 11 – Flywheel	5-16
Fig. 12 – Fuel Camshaft	5-17
Fig. 13 – Engine Stop Level	5-18
Fig. 14 – Injection Pump Assembly	5-19
Fig. 15 – Injection Pump (Component Parts)	5-20
Fig. 16 – Governor	5-22
Fig. 17 – Speed Control Plate	5-23
Fig. 18 – Nozzle Holder And Glow Plug	5-24
Fig. 19 – Fuel Pump Cover	5-25
Fig. 20 – Alternator Arm and Pulley	5-26
Fig. 21 – Starter	5-27
Fig. 22 – Plug	5-28
Fig. 23 – Water Flange and Thermostat	5-29
Fig. 24 – Water Pump	5-30
Fig. 25 – Valve and Rocker Arm	5-31
Fig. 26 – Exhaust Manifold	5-32
Fig. 27 – Inlet Manifold	5-33

Fig. 1 – Crankcase

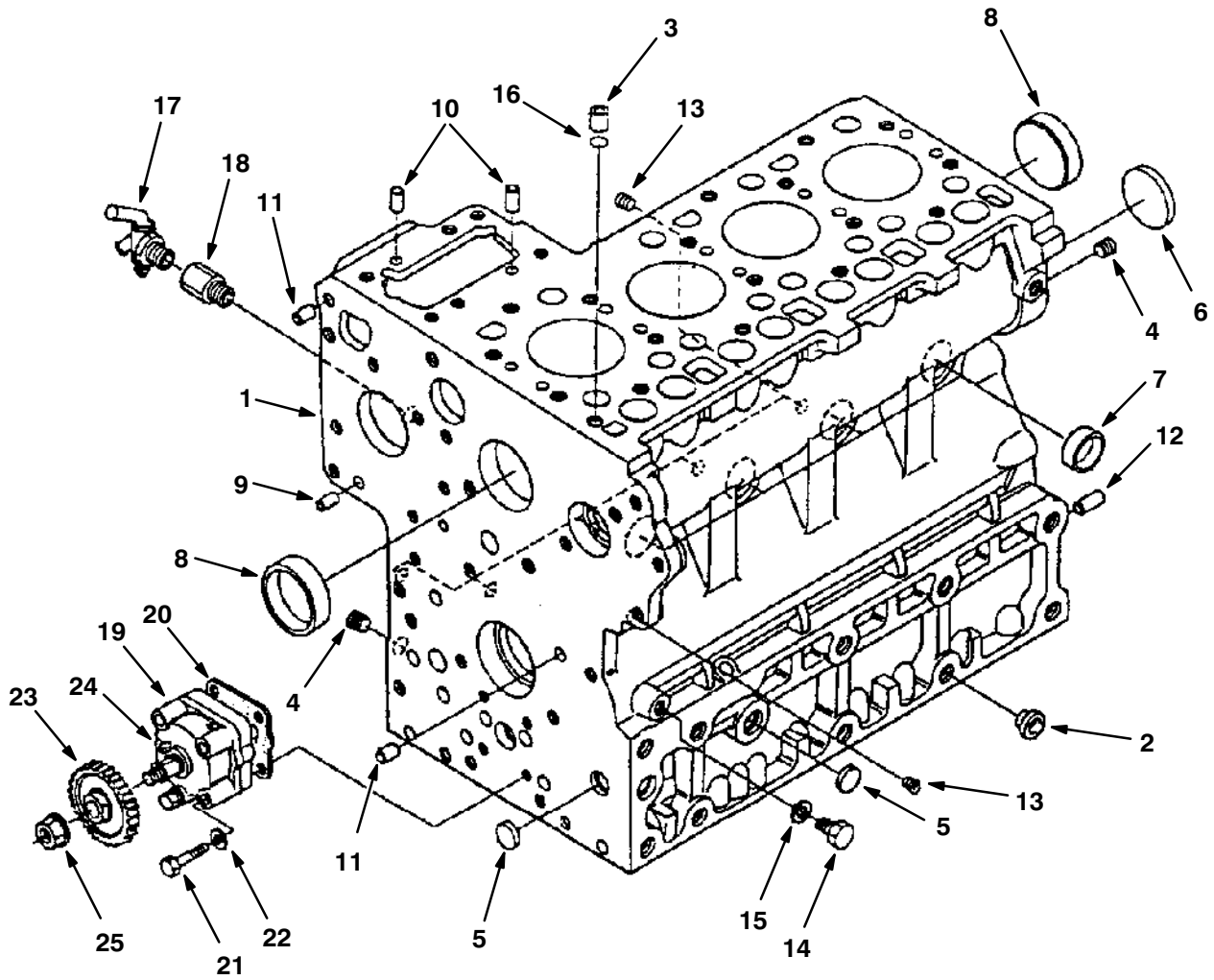
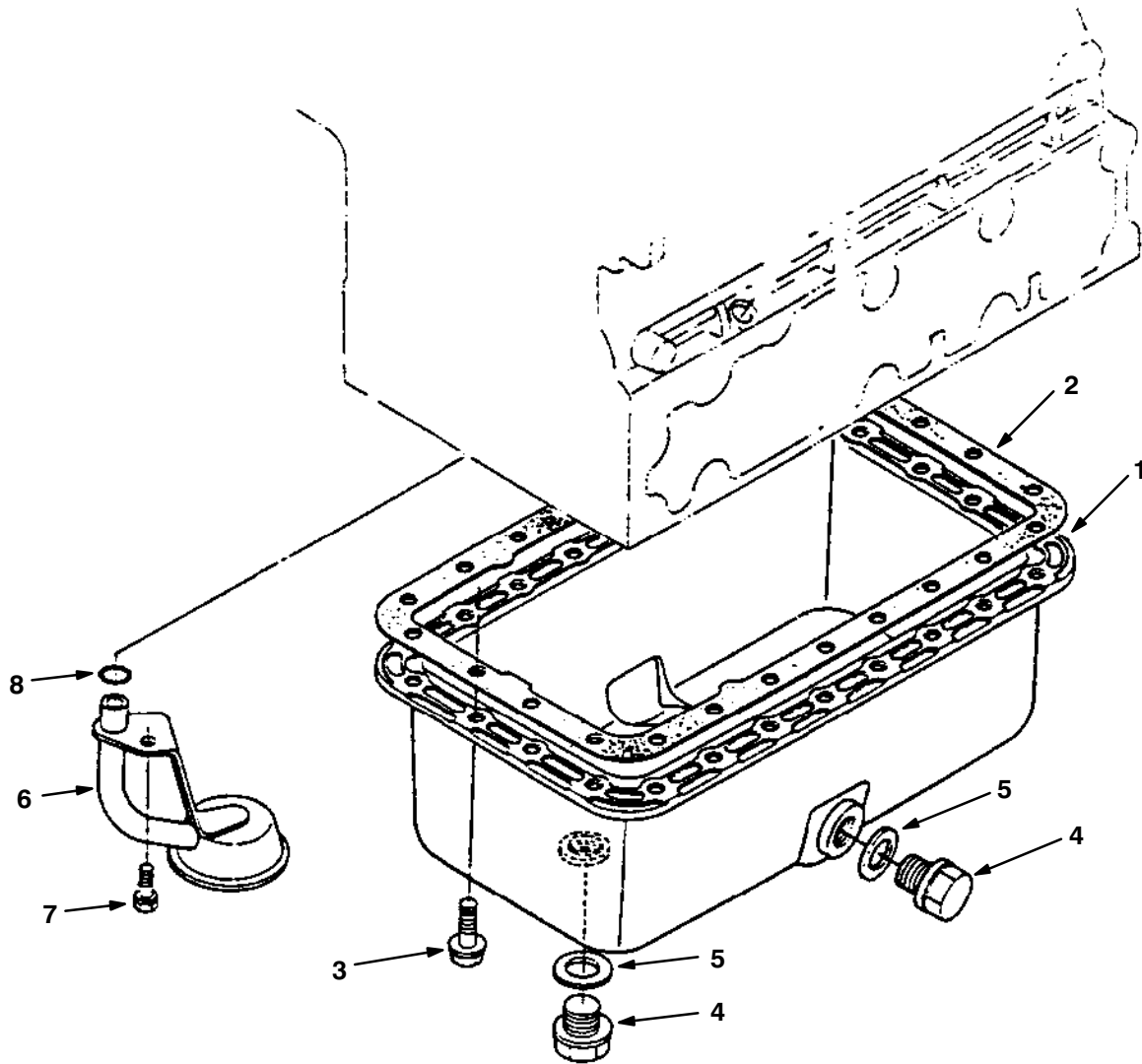


Fig. 1 – Crankcase

Ref.	TENNANT Part No.	Kubota Part Number	Engine Serial Number	Description	Qty.
∇ 1	20135	10977-0101-0	(000000-) Comp. Crankcase	1
▲ 2	20739	32210-2758-0	(000000-) Plug, Blind	2
▲ 3	39060	15221-3365-0	(000000-) Pin, Pipe	1
4	39052	15521-9603-0	(000000-) Plug	2
5	30071	06311-75018	(000000-) Plug	3
6	30070	06311-75045	(000000-) Plug	1
7	39054	15221-03383	(000000-) Cap, Sealing	6
8	39055	15221-03392	(000000-) Cap, Sealing	2
9	39056	05012-00408	(000000-) Pin, Straight	2
10	39057	05012-00609	(000000-) Pin, Straight	2
11	39058	05012-00612	(000000-) Pin, Straight	2
12	39059	05012-01018	(000000-) Pin, Straight	1
13	39051	15521-9602-0	(000000-) Plug	6
14	39062	15221-3361-0	(000000-) Plug	1
15	10895	15021-3366-0	(000000-) Gasket	1
16	39063	15221-3370-0	(000000-) O Ring	1
17	41787	15575-7310-0	(000000-) Cock, Drain	1
18	39061	15291-7316-0	(000000-) Joint, Drain Cock	1
19	30068	15471-3501-0	(000000-) Assy Pump, Oil	1
20	12709	15221-3515-0	(000000-) Gasket, Oil Pump	1
21	41789	01053-50650	(000000-) Bolt	4
22	39065	04512-50060	(000000-) Washer, Spring	4
23	39066	19202-3566-0	(000000-) Gear, Oil Pump Drive	1
24	39067	05712-00410	(000000-) Key, Feather	1
25	41788	15221-3568-2	(000000-) Nut, Flange	1

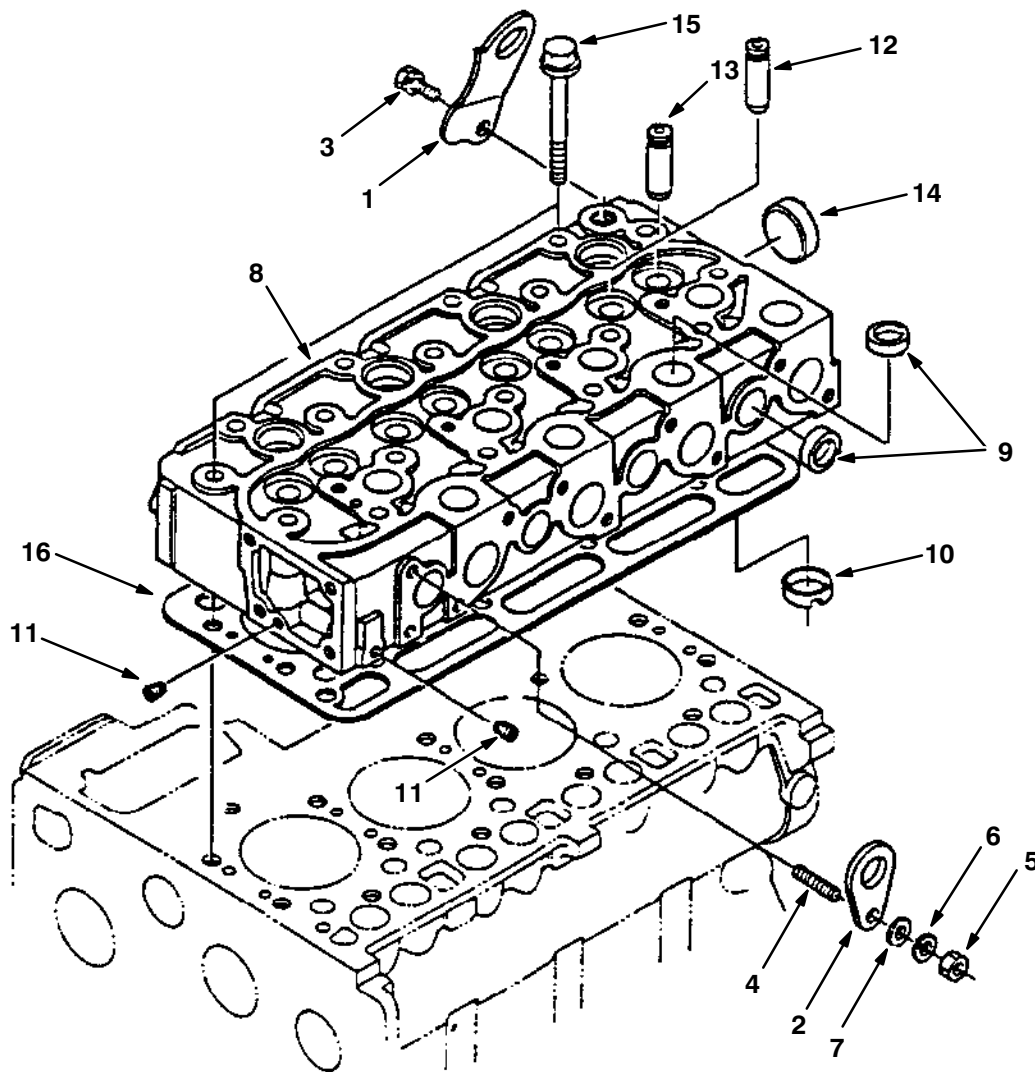
Fig. 2 – Oil Pan



09620/09378

Ref.	TENNANT Part No.	Kubota Part Number	Engine Serial Number	Description	Qty.
1	41790	15434-0161-0	(000000-)	Comp. Oil Pan, Shallow	1
2	41791	15469-0162-0	(000000-)	Gasket, Oil Pan	1
3	31286	17333-9101-0	(000000-)	Bolt, Flange	24
4	70890	15451-3375-0	(000000-)	Plug, Drain	2
5	70891	15451-9667-0	(000000-)	Gasket	2
6	55849	16271-3209-0	(000000-)	Filter, Oil	1
7	39094	01123-60816	(000000-)	Bolt	1
8	41792	04811-00160	(000000-)	O-Ring	1

Fig. 3 – Cylinder Head



09621/09379

Ref.	TENNANT Part No.	Kubota Part Number	Engine Serial Number	Description	Qty.
1	20746	16415-0175-2	(000000-) Hook, Engine	1
2	39093	15221-0175-0	(000000-) Hook, Engine	1
3	39094	01123-60816	(000000-) Bolt	1
4	39139	15221-9153-0	(000000-) Stud	1
5	39096	02156-50080	(000000-) Nut	1
6	39097	04512-60080	(000000-) Washer, Spring	1
7	39148	04012-50080	(000000-) Washer, Plain	1
▽ 8	20747	19077-0304-0	(000000-) Comp. Cylinder Head	1
▲ 9	30053	15221-0337-0	(000000-) Cap, Sealing	12
▲ 10	20749	19077-0314-0	(000000-) Combustion Chamber	4
11	39088	15261-9601-0	(000000-) Plug	2
12	20748	17321-1358-0	(000000-) Guide. Inlet Valve	4
13	31291	17321-1356-0	(000000-) Guide, Exhaust Valve	4
14	39087	15221-0349-0	(000000-) Cap, Sealing	1
15	20743	19013-0345-0	(000000-) Bolt. Cylinder Head	18
16	20750	19077-0331-0	(000000-) Gasket, Cylinder Head	1

Fig. 4 – Gear Case

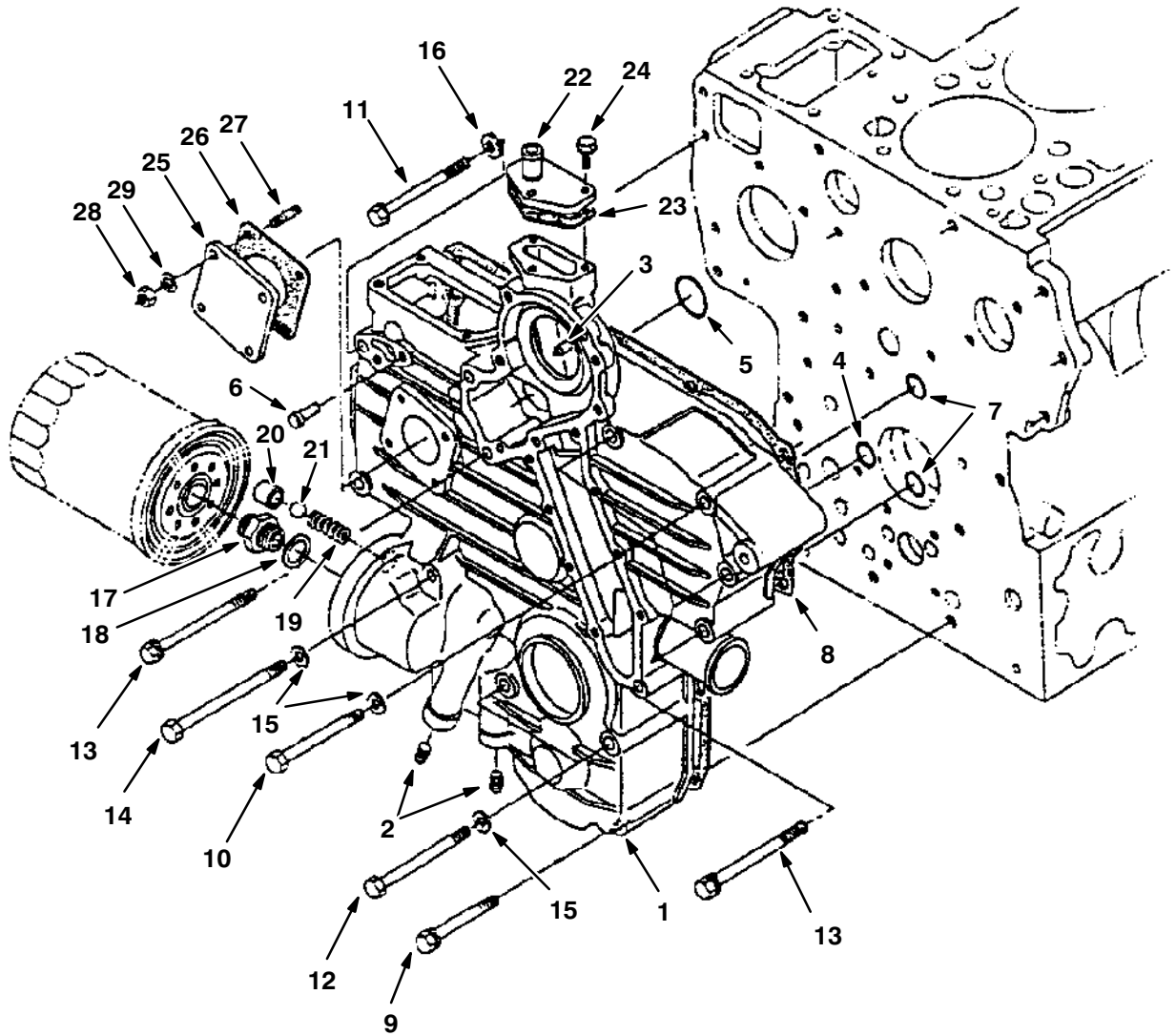
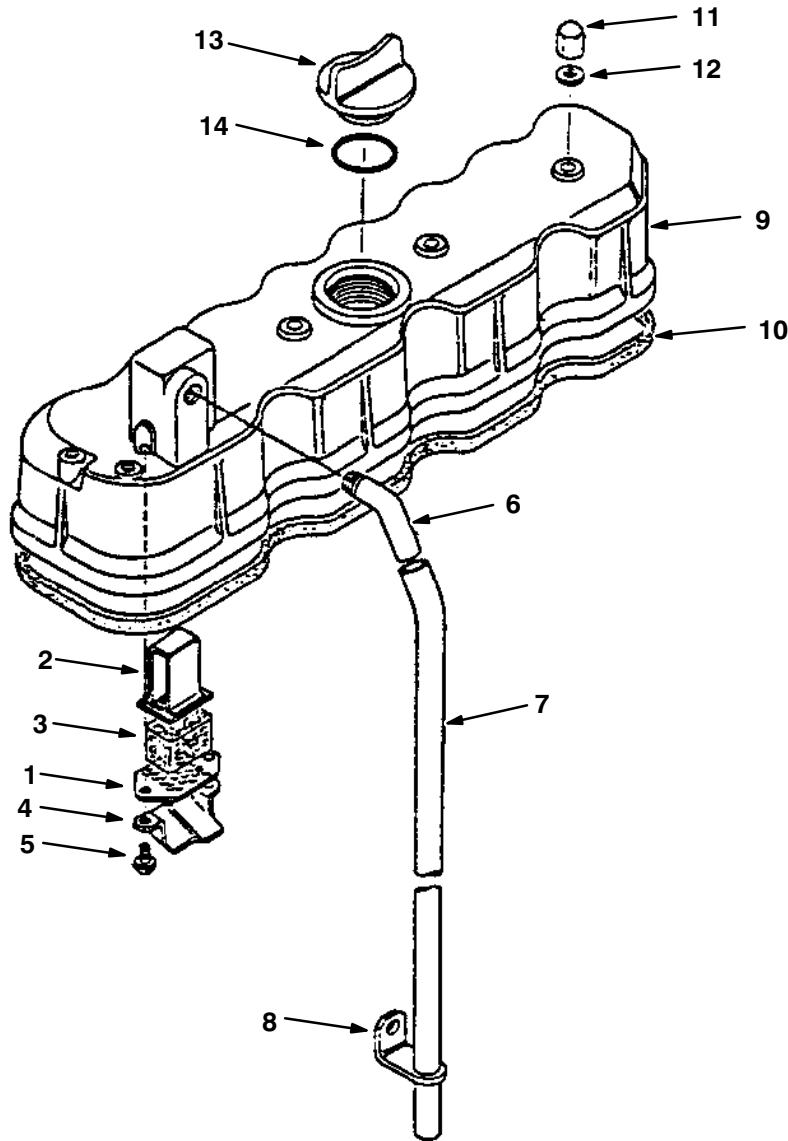


Fig. 4 – Gear Case

Ref.	TENNANT Part No.	Kubota Part Number	Engine Serial Number	Description	Qty.
▽ 1	20742	15521-0401-0	(000000-)	Assy Case, Gear	1
▲ 2	31294	15261-9602-0	(000000-)	Plug	2
▲ 3	39058	05012-00612	(000000-)	Pin, Straight	2
4	20744	04811-00200	(000000-)	O Ring	1
5	39104	04811-00360	(000000-)	O Ring	1
6	39105	15221-5628-0	(000000-)	Pin. Start	1
7	39103	04811-00150	(000000-)	O Ring	5
8	20745	15521-0413-4	(000000-)	Packing, Gear Case	1
9	39106	01123-50860	(000000-)	Bolt	2
10	39107	01153-50870	(000000-)	Bolt	5
11	31298	17367-9101-0	(000000-)	Bolt	1
12	39109	01153-50880	(000000-)	Bolt	2
13	31299	17367-9102-0	(000000-)	Bolt	3
14	39112	01153-50895	(000000-)	Bolt	2
15	39097	04512-60080	(000000-)	Washer, Spring	9
16	39148	04012-50080	(000000-)	Washer, Plain	1
17	39113	15521-3229-0	(000000-)	Joint, Pipe	1
18	39114	04011-50180	(000000-)	Washer, Plain	1
19	39115	15241-3695-0	(000000-)	Spring	1
20	39116	15521-3693-0	(000000-)	Seat, Valve	1
21	39117	07715-03213	(000000-)	Ball	1
22	39118	15521-7332-0	(000000-)	Flange. Water Return	1
23	10903	15521-7333-0	(000000-)	Gasket	1
24	39119	01023-50620	(000000-)	Bolt	3
25	39122	15223-8334-0	(000000-)	Cover	1
26	12796	15221-8813-0	(000000-)	Gasket, H/Meter Unit	1
27	39120	15221-8821-0	(000000-)	Stud	4
28	39121	02056-50060	(000000-)	Nut	4
29	39065	04512-50060	(000000-)	Washer, Spring	4

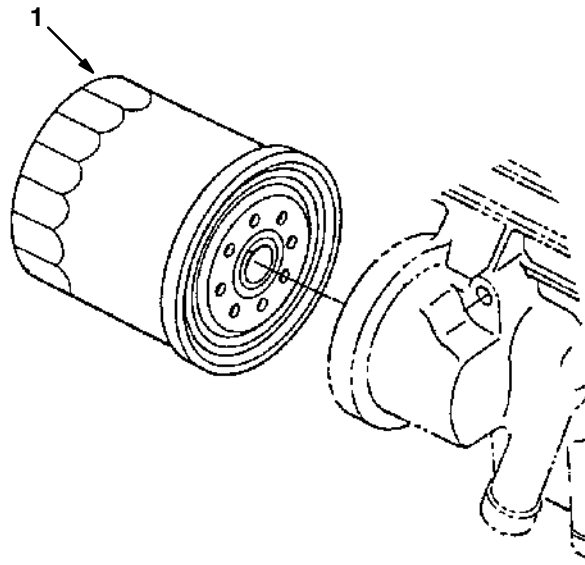
Fig. 5 – Head Cover



09623/09381

Ref.	TENNANT Part No.	Kubota Part Number	Engine Serial Number	Description	Qty.
1	39170	15521-0514-0	(000000-)	Plate, Element	1
2	39171	15521-0515-0	(000000-)	Plate, Element	1
3	39172	15521-0567-0	(000000-)	Element, Breather	1
4	39173	15521-0537-0	(000000-)	Oil Shield, Breather	1
5	39174	15521-9331-0	(000000-)	Screw, With Washer	2
6	39175	15521-0555-0	(000000-)	Joint, Breather Pipe	1
7	39176	15521-0551-0	(000000-)	Pipe, Breather	1
8	39177	15401-0558-0	(000000-)	Clamp, Pipe	1
9	41806	15434-1451-0	(000000-)	Cover, Cyl. Head	1
10	41807	15471-1452-0	(000000-)	Gasket, Head Cover	1
11	39158	15451-92332	(000000-)	Nut, Cap	4
12	10895	15021-3366-0	(000000-)	Gasket	4
13	39161	15221-3314-0	(000000-)	Plug, Oil Filler	1
14	39162	04811-50300	(000000-)	O Ring	1

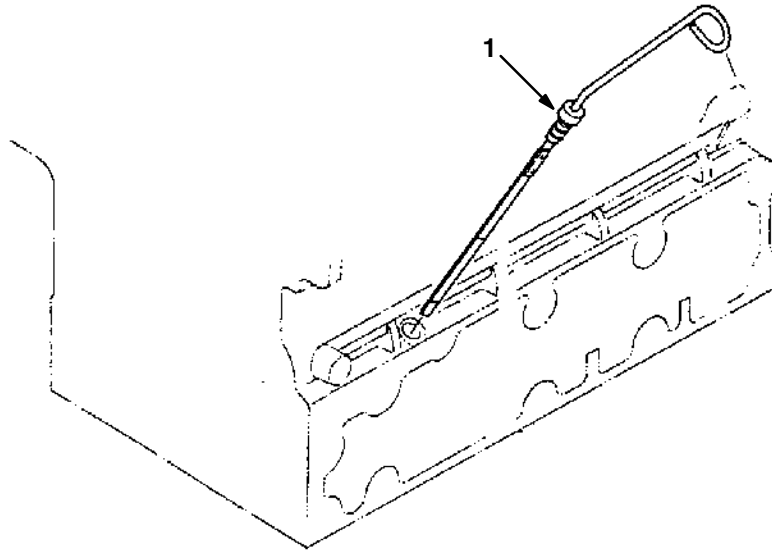
Fig. 6 – Oil Filter



09624/09382

Ref.	TENNANT Part No.	Kubota Part Number	Engine Serial Number	Description	Qty.
1	82693	70000-32091	(000000-)	Cartridge. Oil Filter	1

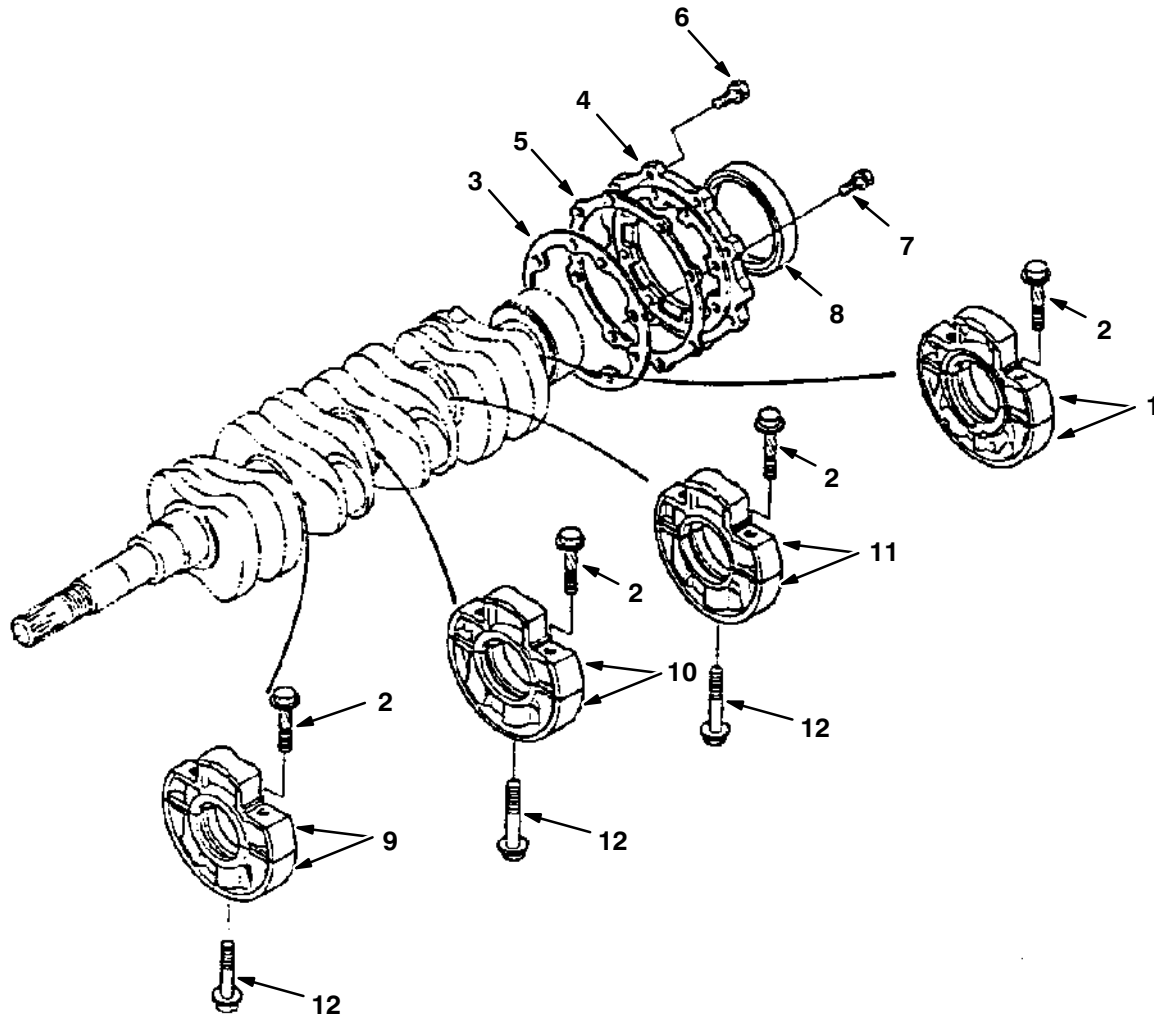
Fig. 7 – Dipstick And Guide



09625/09383

Ref.	TENNANT Part No.	Kubota Part Number	Engine Serial Number	Description	Qty.
1	20715	17111-3641-0	(000000-)	Gauge, Oil	1

Fig. 8 – Main Bearing Case



09626/09384

Ref.	TENNANT Part No.	Kubota Part Number	Engine Serial Number	Description	Qty.
1	20704	19013-0409-0	(000000-) Assy Case. Main Brg.	1
2	20706	19013-0454-0	(000000-) Bolt, Bearing Case	8
3	20705	19013-0436-2	(000000-) Gasket, Brg. Case	1
4	20707	19013-0481-0	(000000-) Cover, Bearing Case	1
5	20709	19013-0483-0	(000000-) Gasket. Brg. Case Cov.	1
5	20517	16427-0482-0	(000000-) Gasket. Brg. Case Cov.	1
6	39128	01123-50825	(000000-) Bolt	8
7	20099	01123-50828	(000000-) Bolt	8
8	39130	19202-0446-0	(000000-) Seal, Oil	1
9	20701	19013-0404-0	(000000-) Assy Case. Main Brg.	1
10	20702	19013-0405-0	(000000-) Assy Case, Main Brg	1
11	20703	19013-0406-0	(000000-) Assy Case Main Brg.	1
12	31339	15601-0456-0	(000000-) Bolt, Bearing Case	3

Fig. 9 – Camshaft

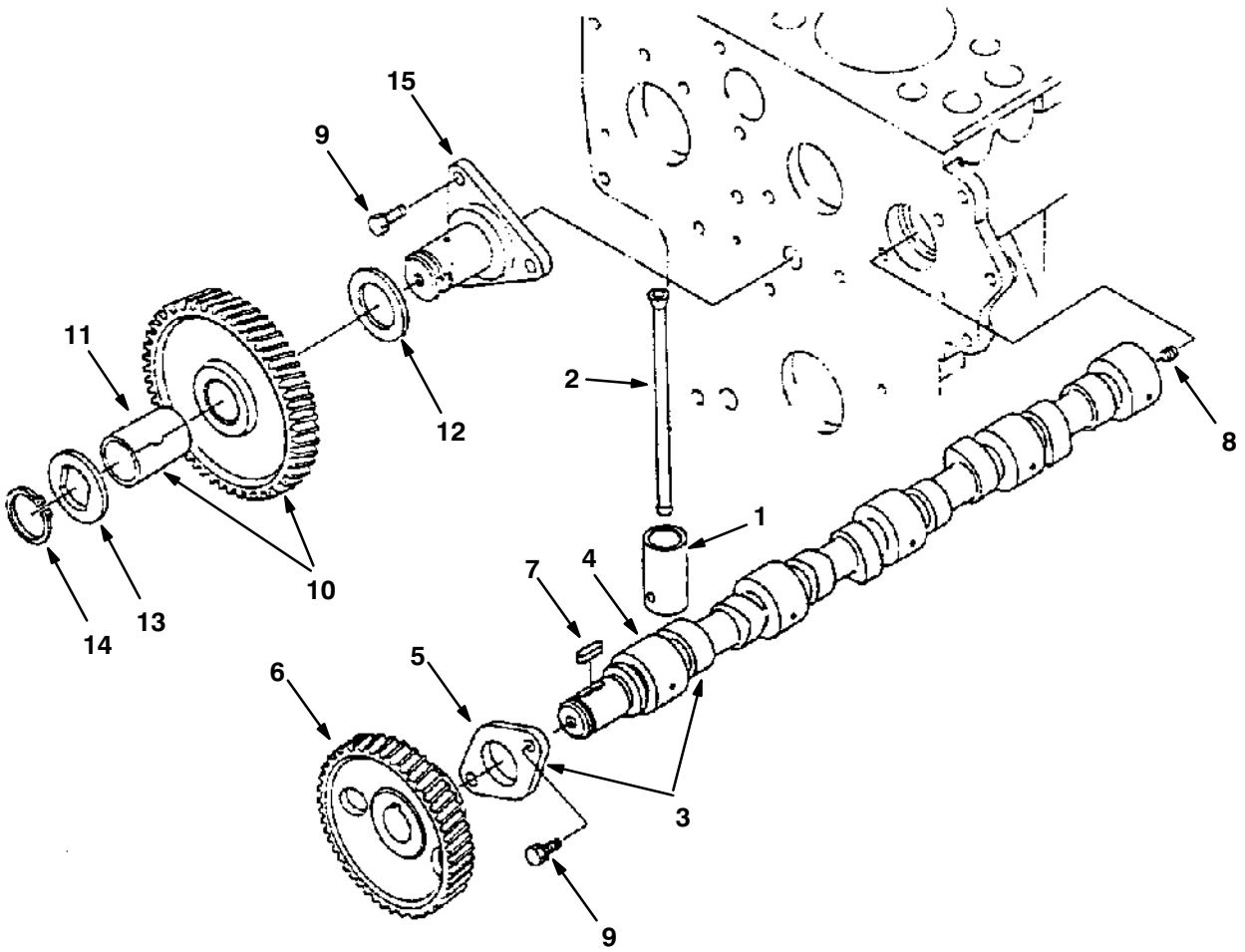


Fig. 9 – Camshaft

Ref.	TENNANT Part No.	Kubota Part Number	Engine Serial Number	Description	Qty.
1	39193	15221-1555-0	(000000-) Tappet	8
1	20439	15601-1555-0	(000000-) Tappet	8
2	20710	19013-1511-0	(000000-) Push Rod	8
▽ 3	20695	17343-1601-0	(000000-) Assy Camshaft	1
▲ 4	20696	17343-1615-0	(000000-) Camshaft	1
▲ 5	39199	15221-1627-0	(000000-) Stopper, Camshaft	1
6	39198	15521-1651-0	(000000-) Gear, Camshaft	1
7	39186	05712-00720	(000000-) Key, Feather	1
8	39197	15521-9361-0	(000000-) Screw. Set	1
9	39200	01123-50818	(000000-) Bolt	5
▽ 10	20685	17331-2401-0	(000000-) Comp. Gear, Idle	1
▲ 11	20689	17331-2498-0	(000000-) Bush, Idle Gear	1
12	20687	17331-2436-0	(000000-) Collar	1
13	20688	17331-2437-0	(000000-) Collar	1
14	20414	15451-9539-0	(000000-) Cir-clip, External	1
15	20686	17331-2425-0	(000000-) Shaft, Idle Gear	1

Fig. 10 – Piston And Crankshaft

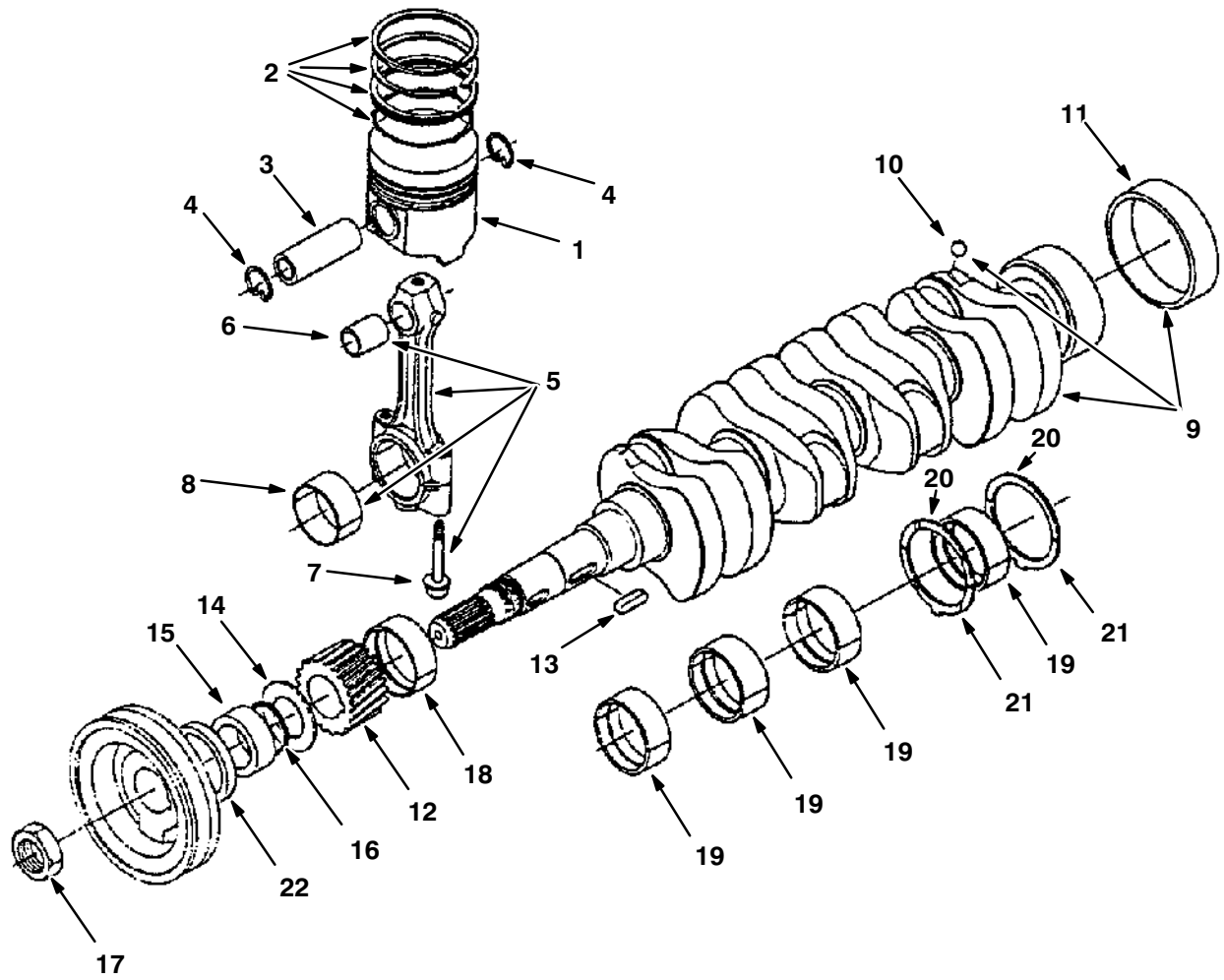
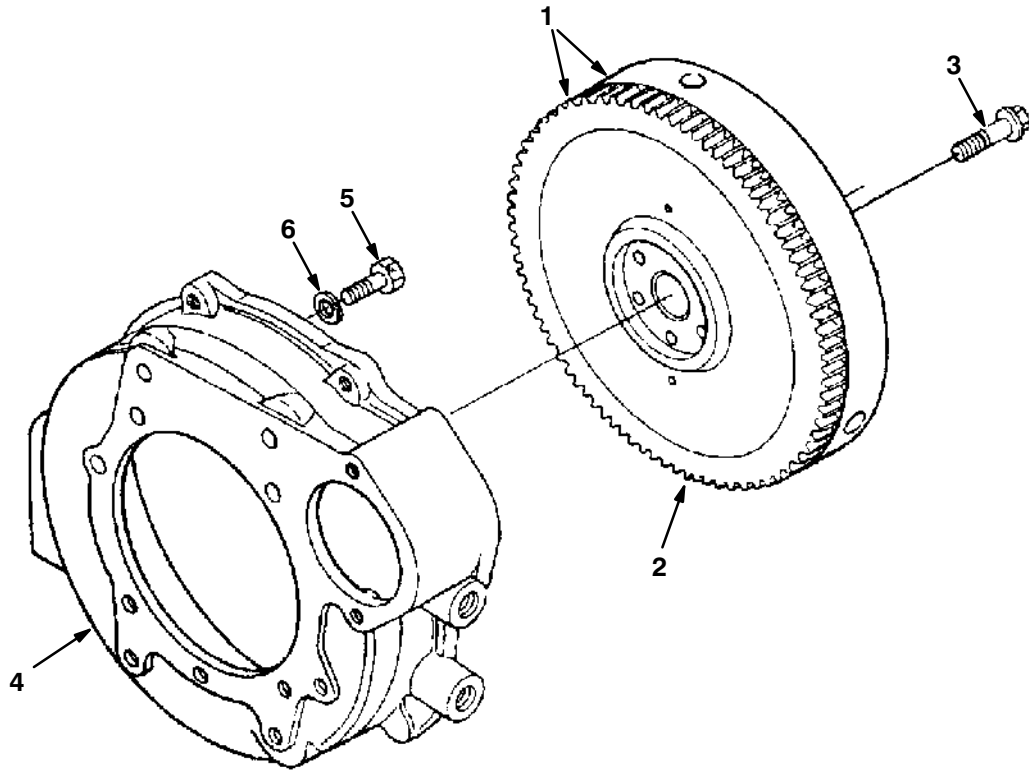


Fig. 10 – Piston And Crankshaft

Ref.	TENNANT Part No.	Kubota Part Number	Engine Serial Number	Description	Qty.
1	20713	19077-2111-0	(000000-) Piston	4
1	20714	19077-2191-0	(000000-) Piston	4
2	20680	17331-2105-0	(000000-) Assy Piston Ring	4
2	20681	17331-2109-0	(000000-) Assy Piston Ring	4
3	20150	14901-2131-0	(000000-) Pin, Piston	4
4	20143	14109-2133-0	(000000-) Clip, Piston Pin	8
▽ 5	20678	17311-2201-0	(000000-) Assy Connecting Rod	4
▲ 6	20682	17331-2198-0	(000000-) Bush, Piston Pin	2
▲ 7	39181	15521-2214-2	(000000-) Bolt, Connecting Rod	8
▲ 8	20679	17311-2231-0	(000000-) Metal, Crankpin	4
▲ 8	20683	17331-2297-0	(000000-) Metal, Crankpin	4
▲ 8	20684	17331-2298-0	(000000-) Metal, Crankpin	4
▽ 9	20665	16641-2301-0	(000000-) Comp. Crankshaft	1
▲ 10	73527	07715-00401	(000000-) Ball	4
▲ 11	12798	19202-2328-0	(000000-) Sleeve, Crankshaft	1
12	41812	15471-2411-0	(000000-) Gear, Crankshaft	1
13	39186	05712-00720	(000000-) Key, Feather	1
14	41813	15471-2331-2	(000000-) Slinger, Oil	1
15	12797	19202-2325-0	(000000-) Collar, Crankshaft	1
16	39188	04811-10300	(000000-) O -Ring	1
17	39189	15221-2336-0	(000000-) Nut, Crankshaft	1
18	10843	17311-2347-0	(000000-) Metal, Crankshaft	1
18	30114	17331-2391-0	(000000-) Metal, Crankshaft	1
18	30116	17331-2392-0	(000000-) Metal, Crankshaft	1
19	30113	17331-2348-0	(000000-) Metal, Crankshaft	4
19	30115	17331-2393-0	(000000-) Metal, Crankshaft	4
19	30117	17331-2394-0	(000000-) Metal, Crankshaft	4
20	10844	15521-2353-0	(000000-) Metal, Side	2
20	30119	15221-2395-0	(000000-) Metal, Side	2
20	30120	15221-2396-0	(000000-) Metal, Side	2
21	10845	19202-2354-0	(000000-) Metal, Side	2
21	30121	19202-2397-0	(000000-) Metal, Side	2
21	30122	19202-2398-0	(000000-) Metal, Side	2
22	30118	19202-0414-0	(000000-) Seal, Oil	1

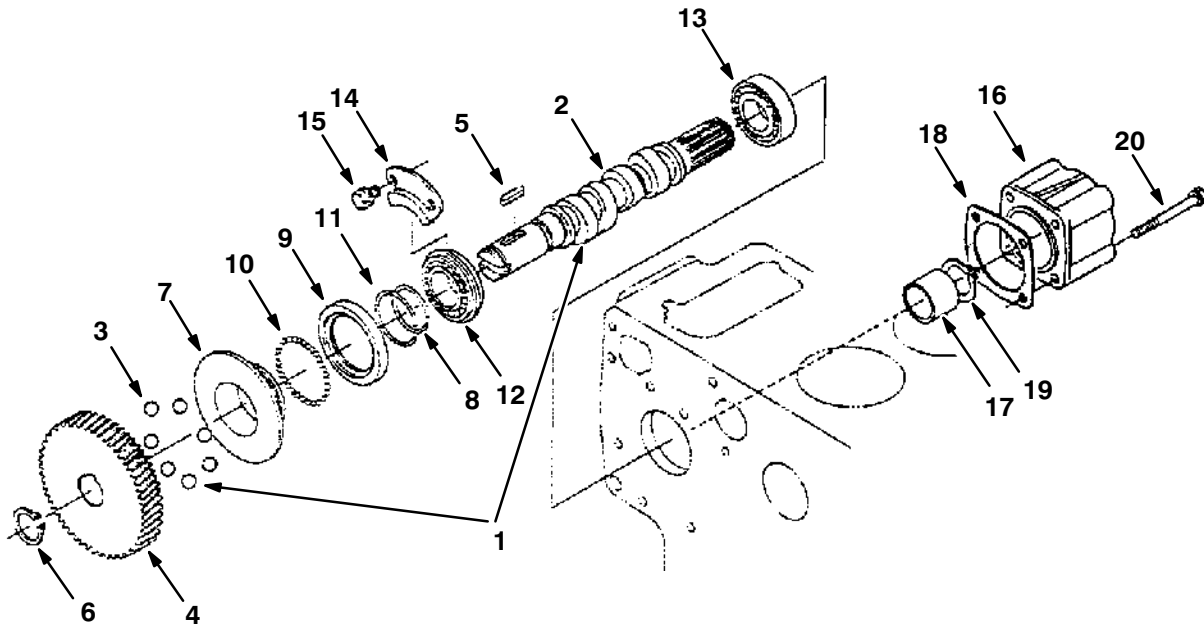
Fig. 11 – Flywheel



09629/09387

Ref.	TENNANT Part No.	Kubota Part Number	Engine Serial Number	Description	Qty.
∇ 1	20735	19629-2501-0	(000000-) Comp. Flywheel	1
▲ 2	30105	15221-6382-0	(000000-) Gear, Ring	1
3	39223	15321-2516-0	(000000-) Bolt, Flywheel	6
4	20664	16604-04610	(000000-) Housing, Flywheel	1
5	39389	01073-51030	(000000-) Bolt	11
6	39399	04512-50100	(000000-) Washer, Spring	11

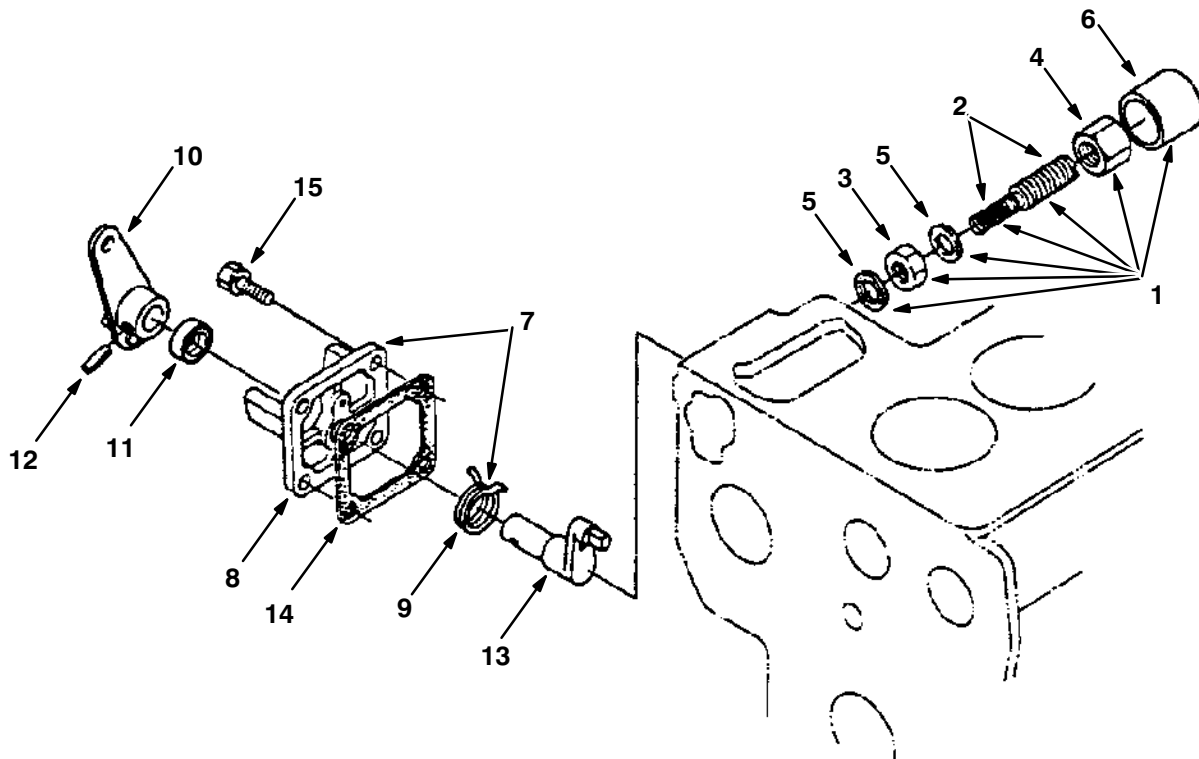
Fig. 12 – Fuel Camshaft



09630/09388

Ref.	TENNANT Part No.	Kubota Part Number	Engine Serial Number	Description	Qty.
∇ 1	20711	19077-1602-0	(000000-)	Assy Camshaft, Fuel	1
▲ 2	20712	19077-1617-0	(000000-)	Camshaft, Fuel	1
▲ 3	20132	07715-00403	(000000-)	Ball	7
4	20514	16415-5115-0	(000000-)	Gear, Injection Pump	1
5	39518	05712-00525	(000000-)	Key, Feather	1
6	39519	04612-50240	(000000-)	Cir-clip, External	1
7	20446	15611-5545-0	(000000-)	Sleeve, Governor	1
8	39521	15221-5547-0	(000000-)	Cir-clip. Gov. Sleeve	1
9	20447	15611-5569-0	(000000-)	Case, Governor Ball	1
10	39523	07715-03205	(000000-)	Ball	39
11	39524	15221-5574-0	(000000-)	Cir-clip	1
12	10846	08153-06205	(000000-)	Bearing, Ball	1
13	41951	08240-00001	(000000-)	Bearing. Ball	1
14	39713	15221-1632-0	(000000-)	Stopper	1
15	39073	01123-50814	(000000-)	Bolt	2
16	41971	15426-52850	(000000-)	Cover, Fuel Camshaft	1
17	41963	19222-1619-0	(000000-)	Collar	1
18	40412	34150-3786-0	(000000-)	Gasket	1
19	41965	15471-9536-0	(000000-)	Cir-clip, External	1
20	41959	01123-50865	(000000-)	Bolt	4

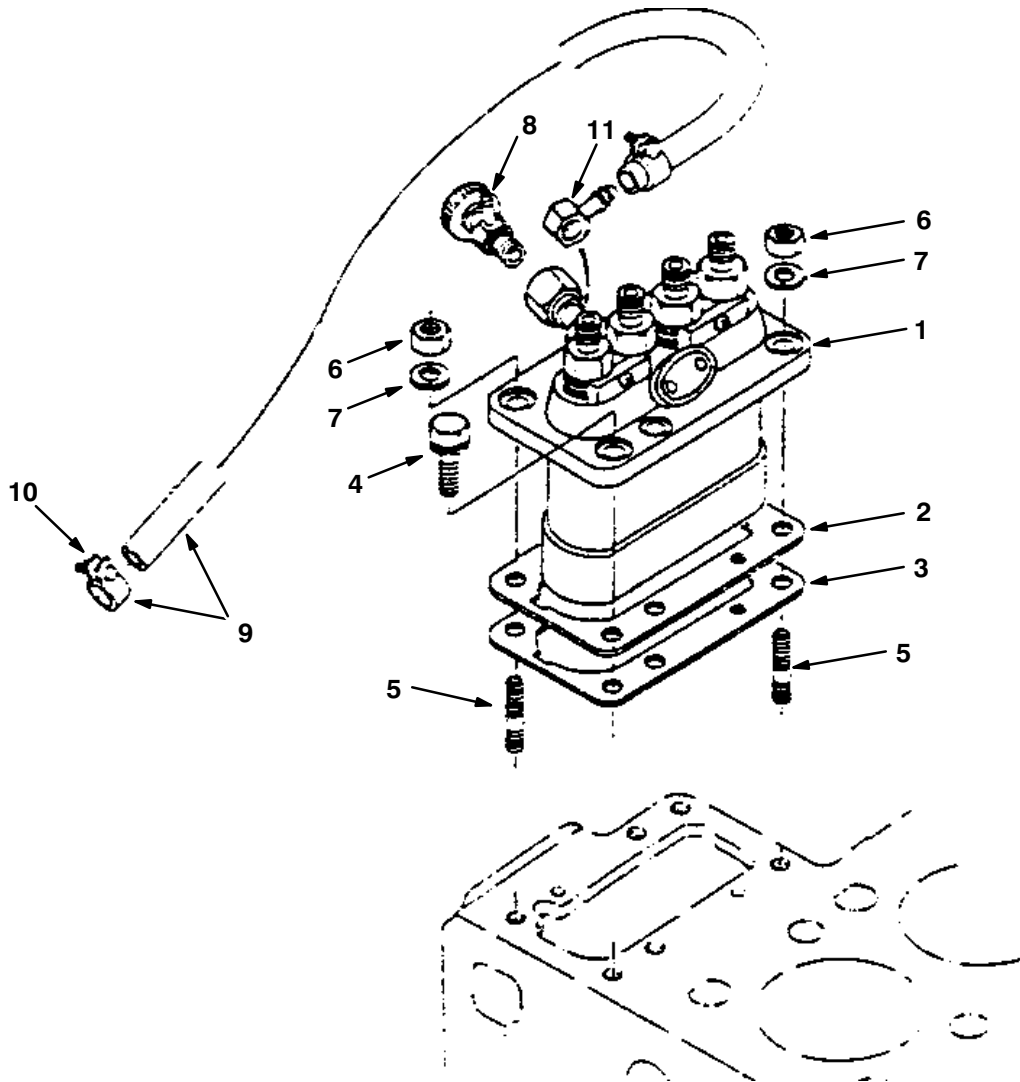
Fig. 13 – Engine Stop Level



09631/09389

Ref.	TENNANT Part No.	Kubota Part Number	Engine Serial Number	Description	Qty.
▽ 1	40333	15521-5409-0	(000000-) Assy Apparatus. I/D.	1
▲ 2	40334	15521-5410-0	(000000-) Assy Bolt, Adjusting	1
▲ 3	40375	15401-9201-0	(000000-) Nut	1
▲ 4	40398	15521-9233-0	(000000-) Nut, Cap	1
▲ 5	10895	15021-3366-0	(000000-) Gasket	2
▲ 6	40400	15521-5427-0	(000000-) Cap	1
▽ 7	20691	17331-5770-2	(000000-) Assy Lever. Eng. Stop	1
▲ 8	20421	15471-5165-2	(000000-) Cover, Injection Pump	1
▲ 9	20422	15471-5792-0	(000000-) Spring, Return	1
▲ 10	20692	17331-5772-0	(000000-) Lever, Engine Stop	1
11	70983	15471-5798-0	(000000-) Seal, Oil	1
12	40407	05411-00420	(000000-) Pin, Spring	1
13	20693	17331-5774-0	(000000-) Shaft, Lever	1
14	10847	15221-5166-0	(000000-) Gasket, Pump Cover	1
15	40409	01023-50618	(000000-) Bolt	4

Fig. 14 – Injection Pump Assembly



09632/09390

Ref.	TENNANT Part No.	Kubota Part Number	Engine Serial Number	Description	Qty.
1	20716	19077-5101-0	(000000-)	Assy Pump, Injection	1
2	41969	15401-5211-0	(000000-)	Shim	2
3	20139	15461-5211-0	(000000-)	Shim, Injection Pump	1
4	39138	01123-50822	(000000-)	Bolt	4
5	39139	15221-9153-0	(000000-)	Stud	2
6	39096	02156-50080	(000000-)	Nut	2
7	39097	04512-60080	(000000-)	Washer, Spring	2
8	39513	14311-6050-4	(000000-)	Assy Cock, Jet Start	1
▽ 9	41975	14681-4201-0	(000000-)	Assy Pipe, Fuel	1
▲ 10	41976	14301-4275-0	(000000-)	Clip, Pipe	2
11	41974	15401-9569-0	(000000-)	Joint	1

Fig. 15 - Injection Pump (Component Parts)

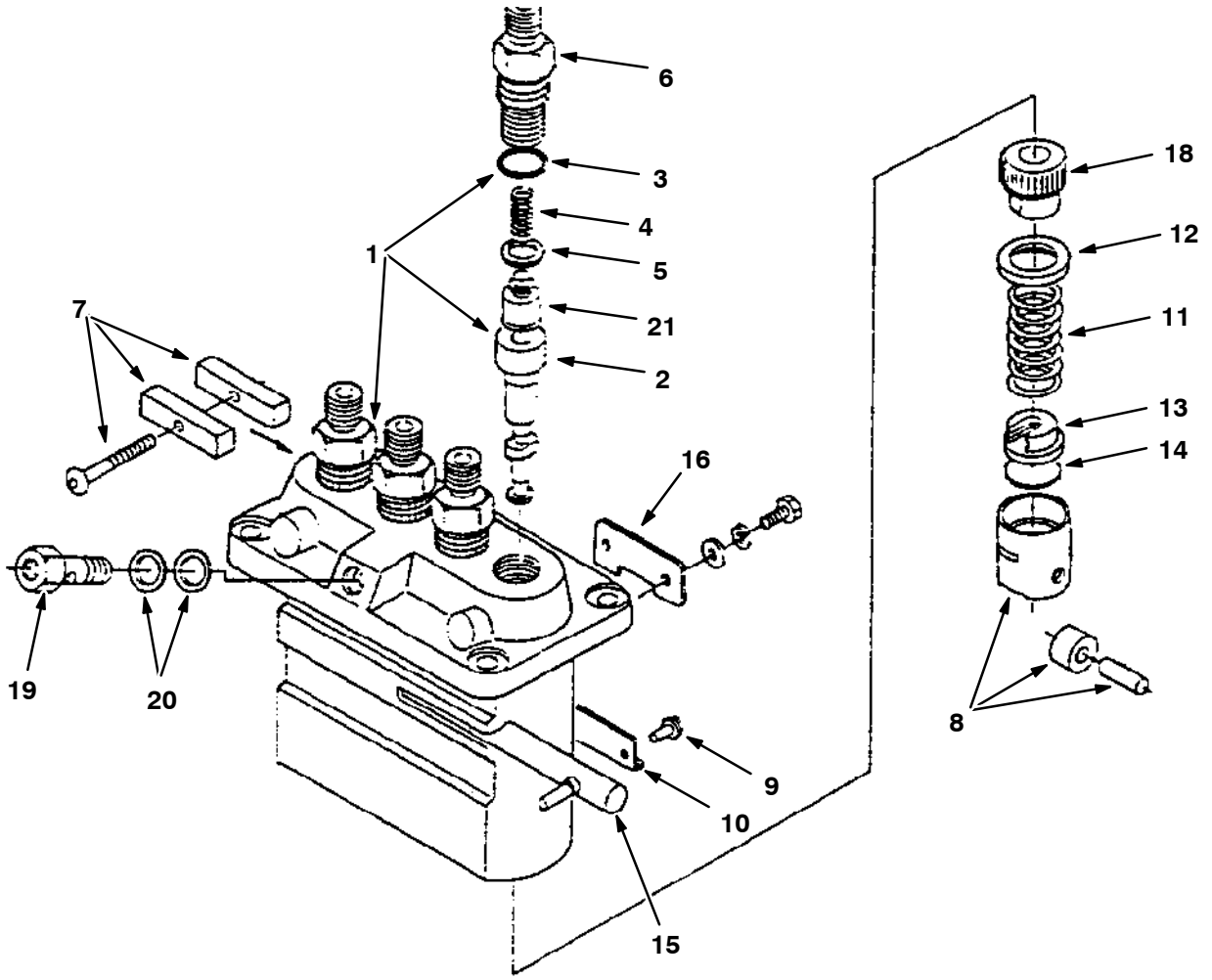
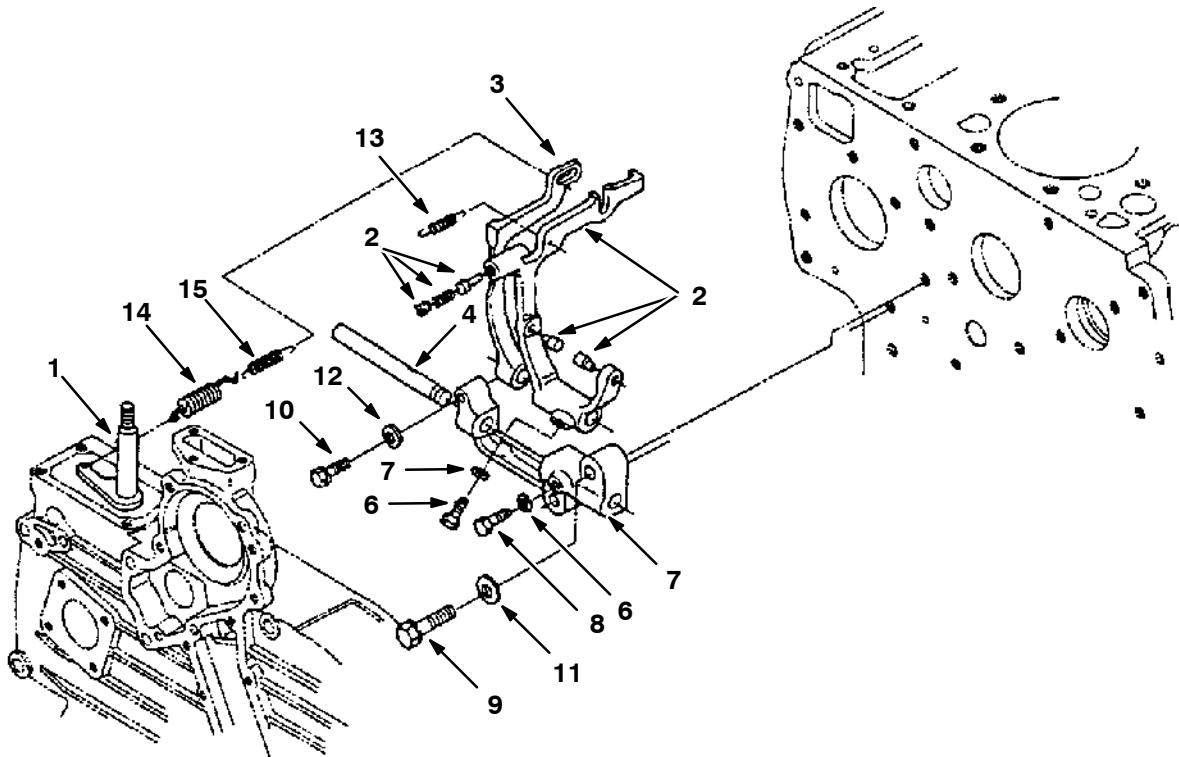


Fig. 15 - Injection Pump (Component Parts)

Ref.	TENNANT Part No.	Kubota Part Number	Engine Serial Number	Description	Qty.
▽ 1	20716	19077-5101-0	(000000-) Assy Pump. Injection	1
▲ 2	20538	16475-5105-0	(000000-) Plunger, Pump	4
▲ 3	20147	14611-5120-0	(000000-) O Ring	4
4	20545	16475-5123-0	(000000-) Spring. Deliv. Valve	4
5	20195	70000-65197	(000000-) Gasket, Deliv. Valve	4
6	20515	16415-5122-0	(000000-) Holder, Deliv. Valve	4
7	20546	16475-5161-0	(000000-) Assy Plate, Lock	2
8	20194	70000-65195	(000000-) Assy Tappet	4
9	20148	14611-5125-0	(000000-) Pin, Tappet Guide	4
10	20149	14611-5144-0	(000000-) Plate	2
11	20197	70000-65200	(000000-) Spring, Plunger	4
12	20196	70000-65199	(000000-) Seat, Spring Upper	4
13	20198	70000-65201	(000000-) Seat, Spring Lower	4
14	20205	70000-65207	(000000-) Shim	4
15	20383	70000-65387	(000000-) Rack, Control	1
16	20146	14384-5139-0	(000000-) Plate, Adjusting	3
17	20245	15221-9103-0	(000000-) Bolt	3
18	20199	70000-65204	(000000-) Sleeve, Control	4
19	20420	15471-5132-0	(000000-) Screw, Follow	1
20	20385	15401-9665-0	(000000-) Gasket	2
21	20520	16475-5103-0	(000000-) Valve. Delivery	4

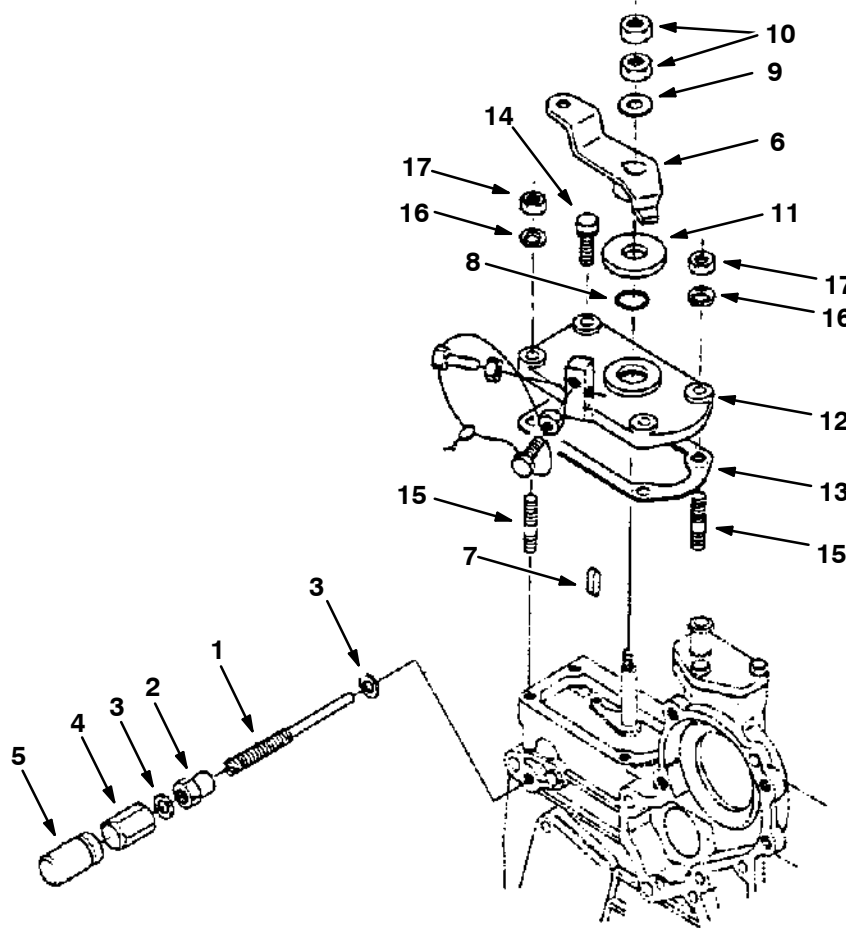
Fig. 16 - Governor



09634/09392

Ref.	TENNANT Part No.	Kubota Part Number	Engine Serial Number	Description	Qty.
1	40021	15601-5602-0	(000000-) Comp. Lever, Governor	1
▽ 2	20725	19077-5605-0	(000000-) Assy Lever, Fork	1
▲ 3	20690	17331-5613-0	(000000-) Lever, Fork	1
▲ 4	40032	15221-5615-0	(000000-) Shaft, Fork Lever	1
▲ 5	40033	15021-5624-0	(000000-) Bolt, Lever Shaft	1
▲ 6	39065	04512-50060	(000000-) Washer, Spring	2
▲ 7	40040	15221-5623-0	(000000-) Holder, Fork Lever	1
8	39169	15221-6641-0	(000000-) Bolt	1
9	40079	01123-50832	(000000-) Bolt	2
10	40080	01023-50628	(000000-) Bolt	1
11	39148	04012-50080	(000000-) Washer, Plain	2
12	40083	04012-50060	(000000-) Washer, Spring	1
13	20448	15611-5648-0	(000000-) Spring, Start	1
14	20726	19077-5641-0	(000000-) Spring, Governor	1
15	20516	16415-5642-0	(000000-) Spring, Governor	1

Fig. 17 - Speed Control Plate

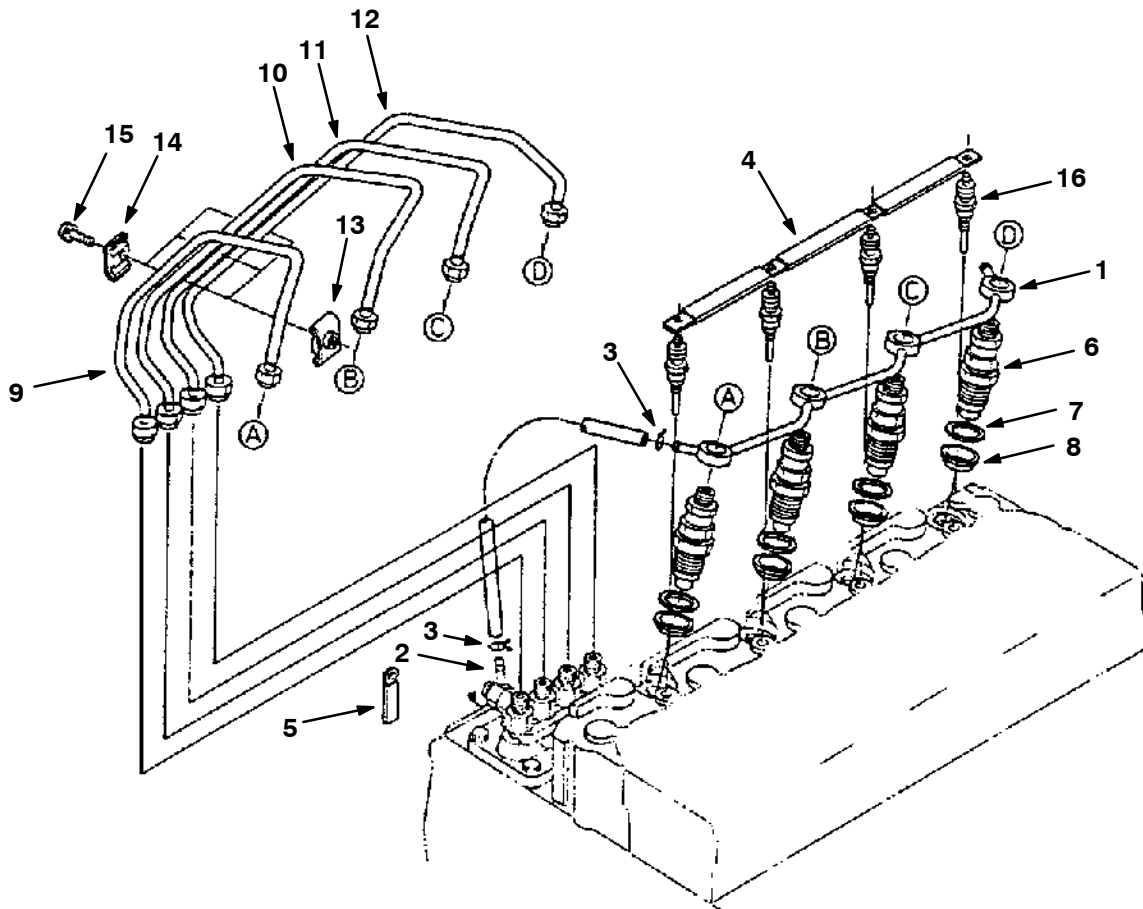


09635/09393

Ref.	TENNANT Part No.	Kubota Part Number	Engine Serial Number	Description	Qty.
1	40159	15601-5412-0	(000000-) Bolt, Adjusting	1
2	40165	15601-9201-0	(000000-) Nut	1
3	40166	15601-9665-0	(000000-) Gasket	2
4	30135	15841-1462-0	(000000-) Nut, Cap	1
5	30136	16241-5442-0	(000000-) Cap	1
6	41955	15471-5715-0	(000000-) Lever, Speed Control	1
7	40203	05712-00408	(000000-) Key, Feather	1
8	40204	04811-00120	(000000-) O Ring	1
9	40231	04013-50080	(000000-) Washer, Plain	1
10	40233	02112-50080	(000000-) Nut	2
11	41977	17011-57380	(000000-) Collar	1
12	12794	15521-57110	(000000-) Plate, Speed Control	1
13	41978	17331-5721-0	(000000-) Gasket	1
14	39119	01023-50620	(000000-) Bolt	2
15	39120	15221-8821-0	(000000-) Stud	2
16	39065	04512-50060	(000000-) Washer, Spring	2
17	39121	02056-50060	(000000-) Nut	2

ENGINE BREAKDOWN

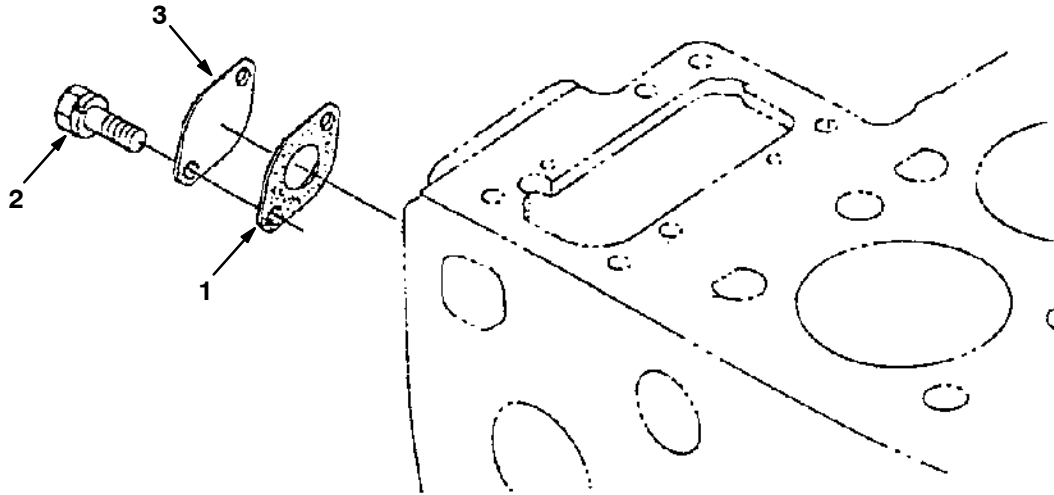
Fig. 18 - Nozzle Holder And Glow Plug



09636/09394

Ref.	TENNANT Part No.	Kubota Part Number	Engine Serial Number	Description	Qty.
1	20518	16475-4250-0	(000000-) Assy Pipe, Over Flow	1
2	41857	17331-4250-0	(000000-) Assy Pipe, Over Flow	1
3	30134	10244-4232-0	(000000-) Clip, Pipe	2
4	20642	16475-6556-0	(000000-) Cord, Glow Plug	1
5	20256	15241-6758-0	(000000-) Clamp, Cord	1
6	20717	19077-5300-0	(000000-) Assy Holder. Nozzle	4
7	70964	15841-5362-0	(000000-) Gasket	4
8	20719	19077-5365-0	(000000-) Seal, Heat	4
9	20720	19077-5371-0	(000000-) Pipe, Injection	1
10	20721	19077-5372-0	(000000-) Pipe, Injection	1
11	20722	19077-5373-0	(000000-) Pipe, Injection	1
12	20723	19077-5374-0	(000000-) Pipe, Injection	1
13	30131	15841-5385-0	(000000-) Clamp, Pipe	3
14	30132	15841-5386-0	(000000-) Clamp, Pipe	3
15	39508	03024-50520	(000000-) Screw, With Washer	3
16	20727	19077-65512	(000000-) Plug, Glow	4

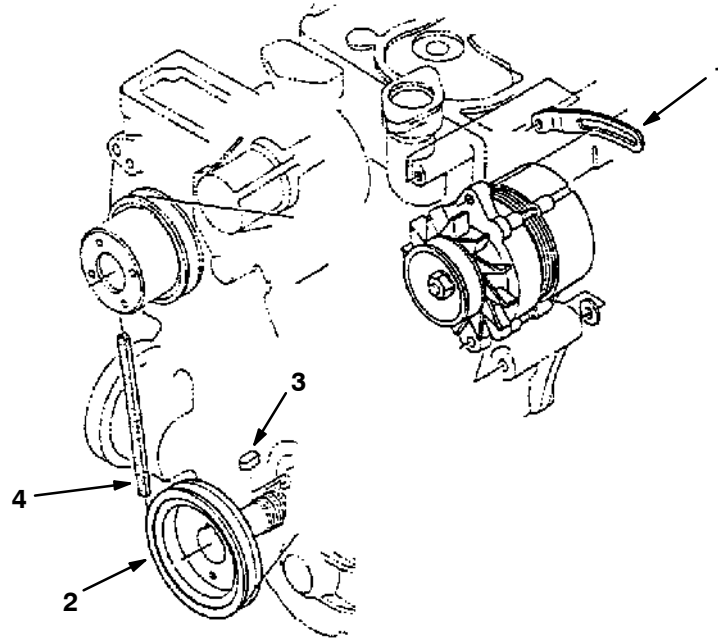
Fig. 19 - Fuel Pump Cover



09639/09397

Ref.	TENNANT Part No.	Kubota Part Number	Engine Serial Number	Description	Qty.
1	41972	15241-5214-0	(000000-) Gasket, Fuel Pump	1
2	41973	01023-50616	(000000-) Bolt	2
3	41971	15426-52850	(000000-) Fuel Pump Cover	1

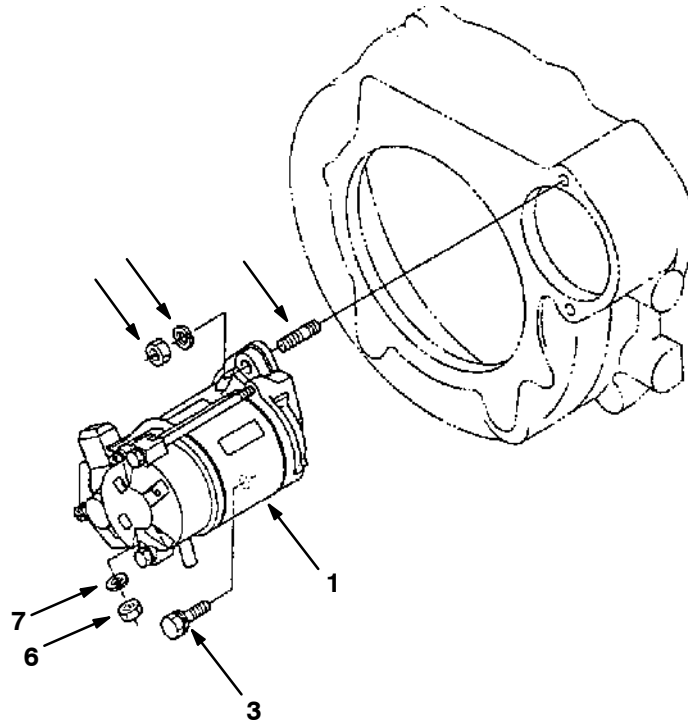
Fig. 20 - Alternator Arm and Pulley



009640/09398

Ref.	TENNANT Part No.	Kubota Part Number	Engine Serial Number	Description	Qty.
1	03254	15321-6442-0	(000000-) Stay, Dynamo	1
2	20157	15192-7428-2	(000000-) Pulley, Fan Drive (P.T.O.)	1
3	39186	05712-00720	(000000-) Key, Feather	1
4	04022		(000000-) V Belt	1

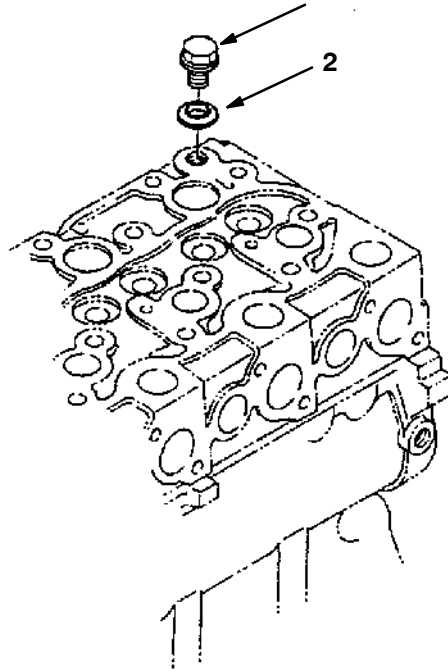
Fig. 21 - Starter



09642/09400

Ref.	TENNANT Part No.	Kubota Part Number	Engine Serial Number	Description	Qty.
1	38957	15461-63011	(000000-) Assy Starter	1
2	39480	01517-51028	(000000-) Stud	1
3	39458	01133-51030	(000000-) Bolt	1
4	39481	02176-50100	(000000-) Nut	1
5	39399	04512-50100	(000000-) Washer, Spring	1
6	20100	02114-50080	(000000-) Nut	1
7	39097	04512-60080	(000000-) Washer, Spring	1

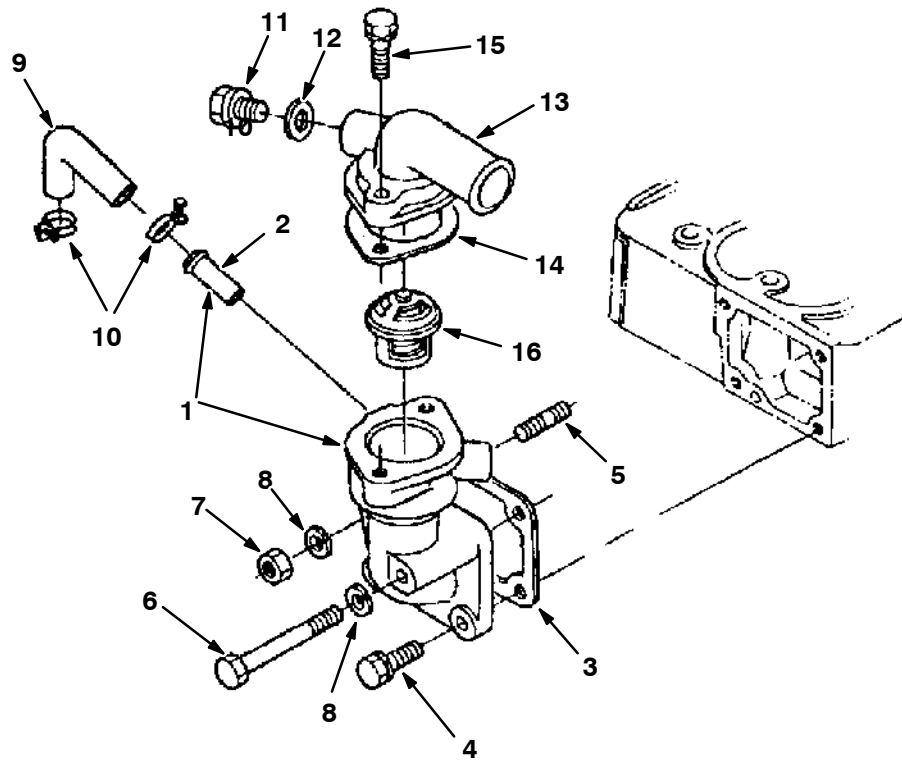
Fig. 22 - Plug



09644/09402

Ref.	TENNANT Part No.	Kubota Part Number	Engine Serial Number	Description	Qty.
1	20128	06311-55010	(000000-)	Plug	1
2	20126	04717-01000	(000000-)	Washer, With Rubber	1

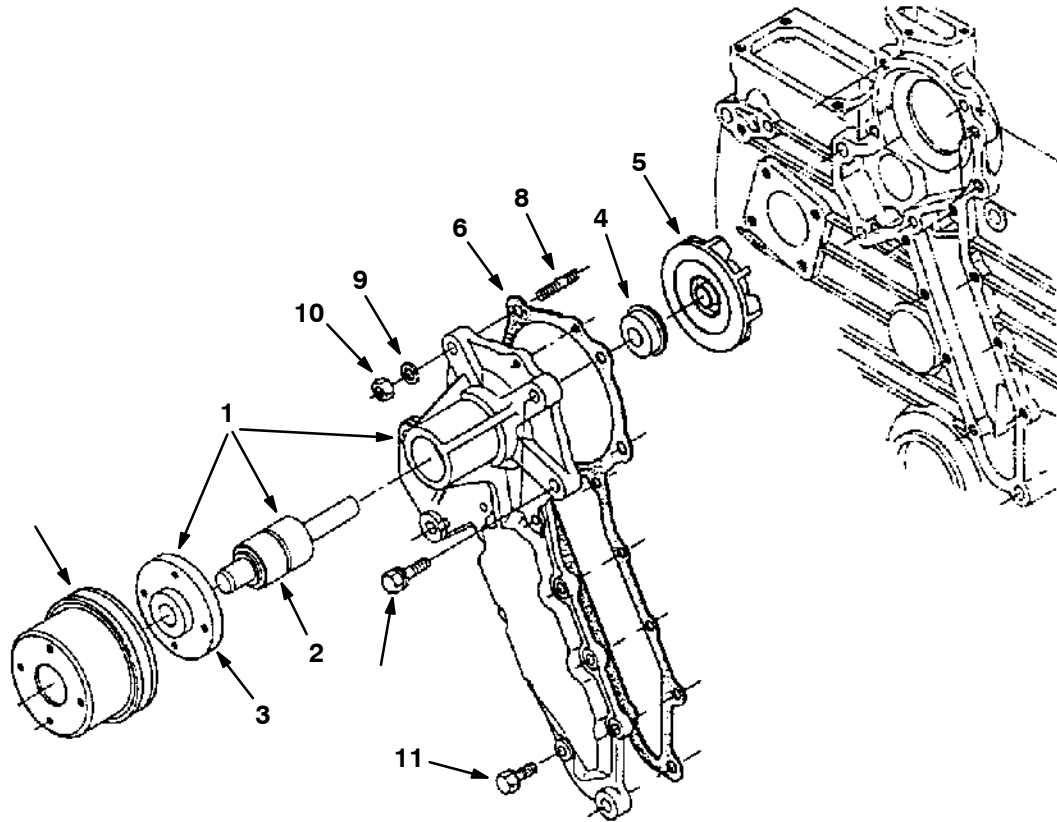
Fig. 23 - Water Flange and Thermostat



09645/09403

Ref.	TENNANT Part No.	Kubota Part Number	Engine Serial Number	Description	Qty.
∇ 1	20434	15512-7270-0	(000000-)	Comp. Flange, Water	1
▲ 2	30125	17331-7334-0	(000000-)	Pipe, Water Return	1
3	10850	15521-7292-0	(000000-)	Gasket, Water Flange	1
4	39138	01123-50822	(000000-)	Bolt	2
5	39512	01513-50822	(000000-)	Stud	1
6	39107	01153-50870	(000000-)	Bolt	1
7	39096	02156-50080	(000000-)	Nut	1
8	39097	04512-60080	(000000-)	Washer, Spring	2
9	12795	15521-7334-0	(000000-)	Pipe, Water Return	1
10	40416	15109-7336-0	(000000-)	Band, Pipe	2
11	20753	06331-4501-0	(000000-)	Plug	1
12	20754	04717-0140-0	(000000-)	Washer, With Rubber	1
13	20752	16649-7326-0	(000000-)	Cover, Thermostat	1
14	10851	15321-7327-0	(000000-)	Gasket	1
15	40418	01123-50835	(000000-)	Bolt	2
16	20734	19343-7301-0	(000000-)	Assy Thermostat	1

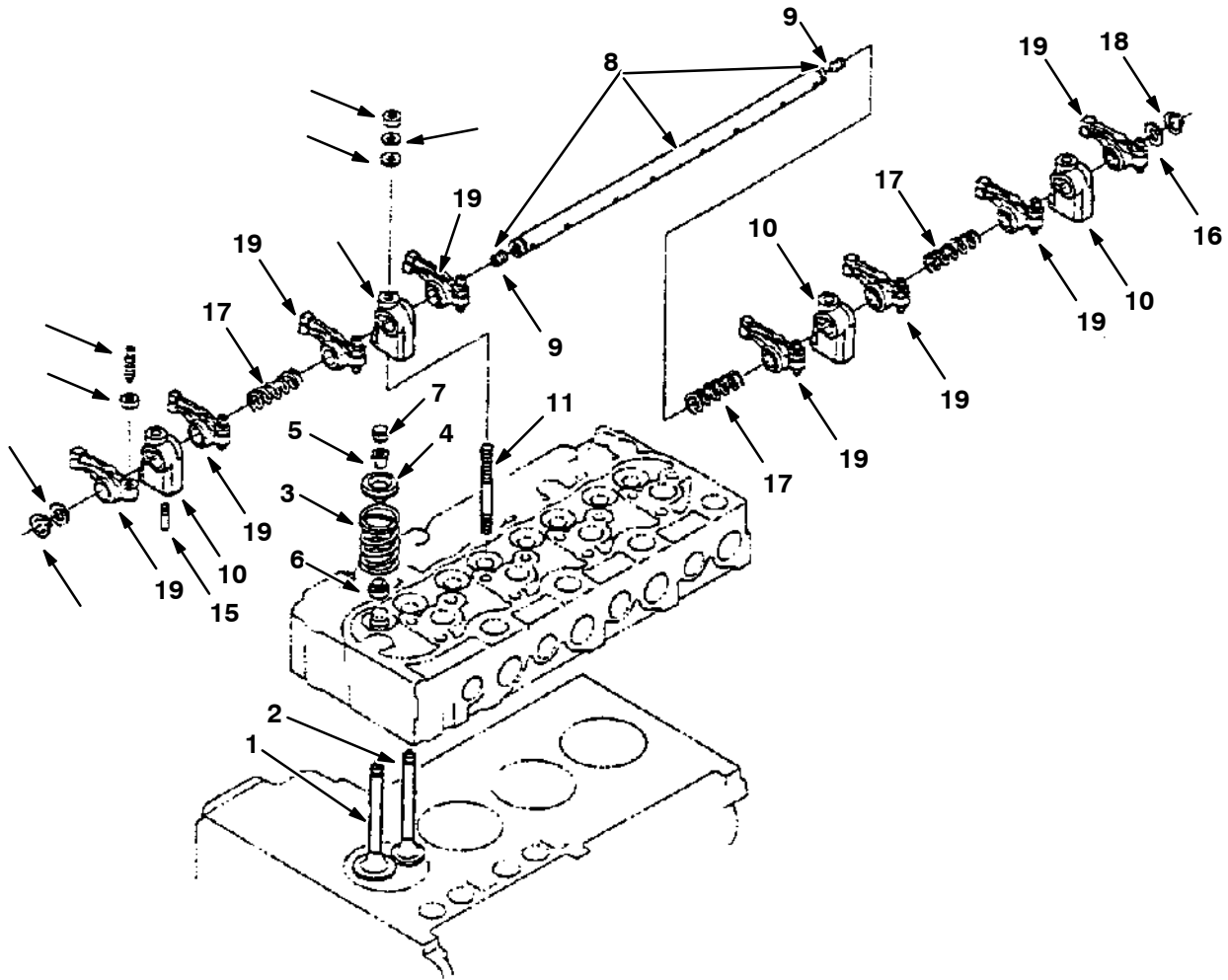
Fig. 24 - Water Pump



09646/09411

Ref.	TENNANT Part No.	Kubota Part Number	Engine Serial Number	Description	Qty.
∇ 1	10853	15521-7303-0	(000000-)	Assy Pump, Water	1
▲ 2	10854	15521-7355-0	(000000-)	Bearing, Ball	1
▲ 3	10892	15521-7352-0	(000000-)	Flange, Water Pump	1
4	40421	15121-7305-0	(000000-)	Assy Seal, Mechanical	1
5	40420	15521-7351-0	(000000-)	Impeller, Water Pump	1
6	10893	15521-7343-0	(000000-)	Gasket, Water Pump	1
7	20099	01123-50828	(000000-)	Bolt	2
8	41958	15521-9151-0	(000000-)	Stud	2
9	39097	04512-50080	(000000-)	Washer, Spring	2
10	39096	02156-50080	(000000-)	Nut	2
11	40409	01023-50618	(000000-)	Bolt	8
12	20755	17351-7425-0	(000000-)	Pully, Fan	1

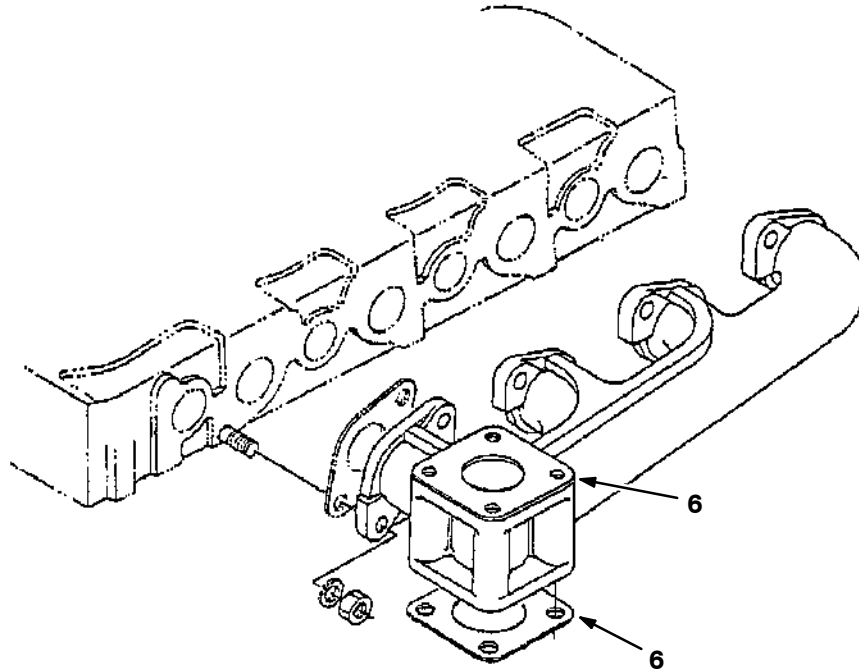
Fig. 25 - Valve and Rocker Arm



09647/09415

Ref.	TENNANT Part No.	Kubota Part Number	Engine Serial Number	Description	Qty.
1	20512	16484-1311-0	(000000-)	Valve, Inlet	4
2	20513	16484-1312-0	(000000-)	Valve, Exhaust	4
3	10896	15221-1324-0	(000000-)	Spring, Valve	8
4	10894	15221-1333-0	(000000-)	Retainer, Valve Sp.	8
5	39141	15221-1336-0	(000000-)	Collet, Valve Spring	8
6	39142	15221-1315-0	(000000-)	Seal, Valve Stem	8
7	39143	15221-1328-0	(000000-)	Cap, Valve	8
▽ 8	41805	15401-1405-0	(000000-)	Assy Shaft, R-arm	1
▲ 9	41808	03410-50808	(000000-)	Screw, Set	2
10	39146	15221-1435-0	(000000-)	Bracket, Rocker Arm	4
11	39147	15521-9150-0	(000000-)	Stud	4
12	39096	02156-50080	(000000-)	Nut	4
13	39097	04512-60080	(000000-)	Washer, Spring	4
14	39148	04012-50080	(000000-)	Washer, Plain	4
15	39149	15221-1442-0	(000000-)	Screw, Set	1
16	39150	15221-1443-0	(000000-)	Washer	2
17	39151	15221-1431-0	(000000-)	Spring, Rocker Arm	3
18	39152	04612-50140	(000000-)	Cir-clip, External	2
19	39153	15621-1403-0	(000000-)	Assy Rocker Arm	8
20	39155	15521-1423-0	(000000-)	Screw, Adjusting	8
21	39156	15021-1424-0	(000000-)	Nut	8

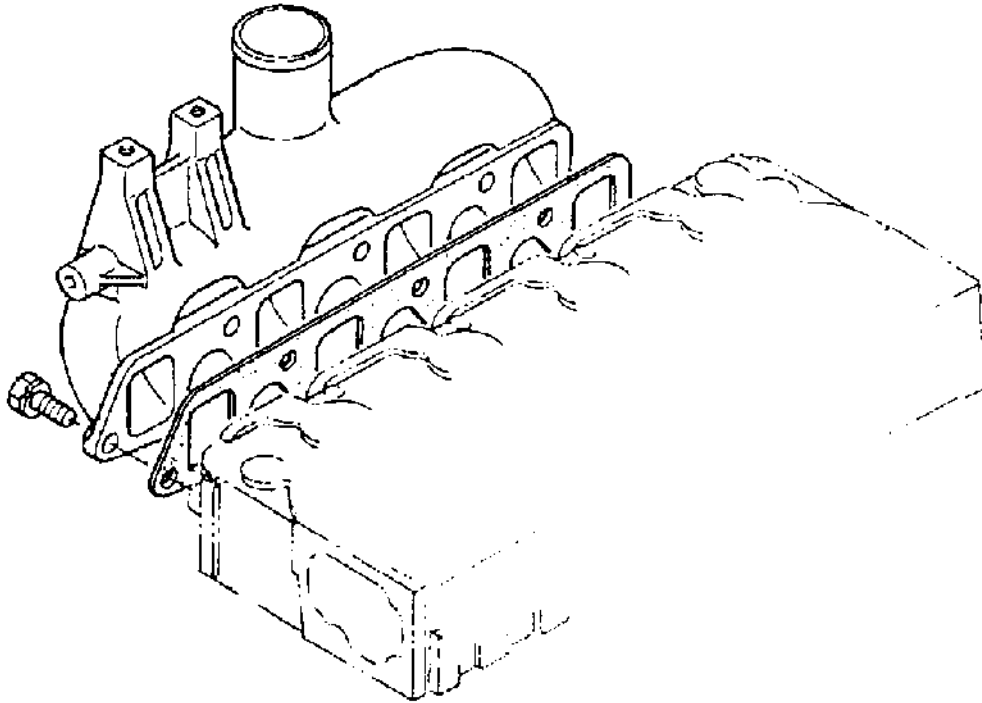
Fig. 26 - Exhaust Manifold



09648/09416

Ref.	TENNANT Part No.	Kubota Part Number	Engine Serial Number	Description	Qty.
1	20699	17355-12312	(000000-) Manifold, Exhaust	1
2	20437	15521-1235-0	(000000-) Gasket, Ex-manifold	4
3	39139	15221-9153-0	(000000-) Stud	8
4	39096	02156-50080	(000000-) Nut	8
5	39097	04512-60080	(000000-) Washer, Spring	8
6	78773	15471-1223-0	(000000-) Gasket, Muffler	2

Fig. 27 - Inlet Manifold



09649/09417

Ref.	TENNANT Part No.	Kubota Part Number	Engine Serial Number	Description	Qty.
1	20666	16662-11761	(000000-) Manifold, Inlet	1
2	20697	17345-1182-0	(000000-) Gasket, In-manifold	1
3	39138	01123-50822	(000000-) Bolt	7

SECTION 6

CONTENTS

	PAGE
PART NUMBER TO PAGE NUMBER CROSS REFERENCE LIST	6-2
PART DESCRIPTION TO PAGE NUMBER CROSS REFERENCE LIST	6-19

CROSS REFERENCE

PART NUMBER TO PAGE NUMBER CROSS REFERENCE LIST

Part Number	Page Number	Part Number	Page Number
IB3614	4-5, 4-7, 4-8	04013-50080	5-23
MM312	3-37	04022	2-43, 5-26
MM338	3-37	04414	2-39
00500-15	4-6, 4-9	04512-50060	5-3, 5-7, 5-22, 5-23
00954	4-7	04512-50080	5-30
00960	4-5	04512-50100	5-16, 5-27
00966	4-8	04512-60080	5-5, 5-7, 5-19, 5-27, 5-29, 5-31, 5-32
01023-50616	5-25	04612-50140	5-31
01023-50618	5-18, 5-30	04612-50240	5-17
01023-50620	5-7, 5-23	04706	2-115
01023-50628	5-22	04717-01000	5-28
01047	2-15	04717-0140-0	5-29
01053-50650	5-3	04733-7	2-65
01073-51030	5-16	04811-00120	5-23
01123-50814	5-17	04811-00150	5-7
01123-50818	5-13	04811-00160	5-4
01123-50822	5-19, 5-29, 5-33	04811-00200	5-7
01123-50825	5-11	04811-00360	5-7
01123-50828	5-11, 5-30	04811-10300	5-15
01123-50832	5-22	04811-50300	5-8
01123-50835	5-29	04846	2-103
01123-50860	5-7	05012-00408	5-3
01123-50865	5-17	05012-00609	5-3
01123-60816	5-4, 5-5	05012-00612	5-3, 5-7
01133-51030	5-27	05012-01018	5-3
01153-50870	5-7, 5-29	05036	2-5
01153-50880	5-7	05411-00420	5-18
01153-50895	5-7	05686	2-91, 2-95
01513-50822	5-29	05712-00408	5-23
01516	2-103	05712-00410	5-3
01517-51028	5-27	05712-00525	5-17
01988	2-73, 2-75	05712-00720	5-13, 5-15, 5-26
02056-50060	5-7, 5-23	05724	2-5
02112-50080	5-23	05725	2-5
02114-50080	5-27	05726	2-5
02156-50080	5-5, 5-19, 5-29, 5-30, 5-31, 5-32	06279	2-95
02176-50100	5-27	06311-55010	5-28
02361	2-73	06311-75018	5-3
02430	4-27	06311-75045	5-3
02506-6	3-24	06331-4501-0	5-29
02676	2-73	06918	2-43
02705	4-15, 4-17	07259	2-23
02706	4-15, 4-17	07450	2-103
02709	4-15, 4-17	07562	2-45, 3-36
02712	2-29	07565	3-36
02740	2-45	07715-00401	5-15
02741	2-45	07715-00403	5-17
02931	2-103	07715-03205	5-17
03024-50520	5-24	07715-03213	5-7
03026	2-45	08013N	2-5
03254	5-26	08085	2-99, 2-101
03410-50808	5-31	08143	2-35
03922	2-113	08153-06205	5-17
04011-50180	5-7	08175	2-85
04012-50060	5-22	08240-00001	5-17
04012-50080	5-5, 5-7, 5-22, 5-31	09088	2-61
		09342	2-7

CROSS REFERENCE

Part Number	Page Number	Part Number	Page Number
09900-1	2-87	10895	5-3, 5-8, 5-18
10143	2-57	10896	5-31
10165	2-103	10903	5-7
10244-4232-0	5-24	10962	2-121
10539	2-67	10977-0101-0	5-3
10542	2-105	11211	2-31
10543	2-89	11218	2-5
10550	3-33	11442-3	3-3
10557	3-33	11636	3-35
10560	3-33	11893	2-25
10561	3-33	11984	2-45
10562	3-33	12060	2-107
10565	2-19	12267	2-81
10568	2-51	12542	2-105
10573	3-5	12709	5-3
10575	3-5	12794	5-23
10576	2-13	12795	5-29
10577	3-5	12796	5-7
10579	2-13	12797	5-15
10581	3-19	12798	5-15
10594	2-29	13015	2-57
10595	3-19	13115	2-73
10603	2-65	13156	2-87
10604	2-65	13248	2-33
10611	2-19	13902	4-19, 4-21, 4-23, 4-26
10612	2-121	13904	4-19, 4-21, 4-23, 4-26
10618	2-79	13907	4-23
10632-1	2-27	14109-2133-0	5-15
10632-14	2-51	14131	2-49
10632-18	3-10, 3-11, 3-12, 3-13, 3-15	14138A	2-27
10632-2	3-10, 3-11	14242	2-61
10632-4	2-37	14301-4275-0	5-19
10632-5	2-117	14311-6050-4	5-19
10632-9	3-12, 3-13	14384-5139-0	5-21
10644	2-55	14432	2-45
10663	2-111	14506-1	2-41, 2-65
10672	3-3	14601	2-15, 2-41, 2-67
10678	3-3	14611-5120-0	5-21
10679	2-111	14611-5125-0	5-21
10683	2-105	14611-5144-0	5-21
10687	2-105	14681-4201-0	5-19
10688	2-27	14838	2-5
10693	2-35	14864	2-109, 2-111
10695	2-35	14877	2-109
10721	2-19	14880	2-109, 2-111
10740	21-53, 2-63	14901-2131-0	5-15
10749	2-53, 2-63	14983	3-35
10843	5-15	15021-1424-0	5-31
10844	5-15	15021-3366-0	5-3, 5-8, 5-18
10845	5-15	15021-5624-0	5-22
10846	5-17	15109-7336-0	5-29
10847	5-18	15121-7305-0	5-30
10850	5-29	15128-1	2-101
10851	5-29	15192-7428-2	5-26
10853	5-30	15221-0175-0	5-5
10854	5-30	15221-0337-0	5-5
10892	5-30	15221-03383	5-3
10893	5-30	15221-03392	5-3
10894	5-31	15221-0349-0	5-5
		15221-1315-0	5-31

CROSS REFERENCE

Part Number	Page Number	Part Number	Page Number
15221-1324-0 5-31	15471-2331-2 5-15
15221-1328-0 5-31	15471-2411-0 5-15
15221-1333-0 5-31	15471-3501-0 5-3
15221-1336-0 5-31	15471-5132-0 5-21
15221-1431-0 5-31	15471-5165-2 5-18
15221-1435-0 5-31	15471-5715-0 5-23
15221-1442-0 5-31	15471-5792-0 5-18
15221-1443-0 5-31	15471-5798-0 5-18
15221-1555-0 5-13	15471-9536-0 5-17
15221-1627-0 5-13	15512-7270-0 5-29
15221-1632-0 5-17	15521-0401-0 5-7
15221-2336-0 5-15	15521-0413-4 5-7
15221-2395-0 5-15	15521-0514-0 5-8
15221-2396-0 5-15	15521-0515-0 5-8
15221-3314-0 5-8	15521-0537-0 5-8
15221-3361-0 5-3	15521-0551-0 5-8
15221-3365-0 5-3	15521-0555-0 5-8
15221-3370-0 5-3	15521-0567-0 5-8
15221-3515-0 5-3	15521-1235-0 5-32
15221-3568-2 5-3	15521-1423-0 5-31
15221-5166-0 5-18	15521-1651-0 5-13
15221-5547-0 5-17	15521-2214-2 5-15
15221-5574-0 5-17	15521-2353-0 5-15
15221-5615-0 5-22	15521-3229-0 5-7
15221-5623-0 5-22	15521-3693-0 5-7
15221-5628-0 5-7	15521-5409-0 5-18
15221-6382-0 5-16	15521-5410-0 5-18
15221-6641-0 5-22	15521-5427-0 5-18
15221-8813-0 5-7	15521-57110 5-23
15221-8821-0 5-7, 5-23	15521-7292-0 5-29
15221-9103-0 5-21	15521-7303-0 5-30
15221-9153-0 5-5, 5-19, 5-32	15521-7332-0 5-7
15223-8334-0 5-7	15521-7333-0 5-7
15241-3695-0 5-7	15521-7334-0 5-29
15241-5214-0 5-25	15521-7343-0 5-30
15241-6758-0 5-24	15521-7351-0 5-30
15261-9601-0 5-5	15521-7352-0 5-30
15261-9602-0 5-7	15521-7355-0 5-30
15291-7316-0 5-3	15521-9150-0 5-31
15321-2516-0 5-16	15521-9151-0 5-30
15321-6442-0 5-26	15521-9233-0 5-18
15321-7327-0 5-29	15521-9331-0 5-8
15401-0558-0 5-8	15521-9361-0 5-13
15401-1405-0 5-31	15521-9602-0 5-3
15401-5211-0 5-19	15521-9603-0 5-3
15401-9201-0 5-18	15539 2-5
15401-9569-0 5-19	15555-2 2-49
15401-9665-0 5-21	15575-7310-0 5-3
15426-52850 5-17, 5-25	15601-0456-0 5-11
15434-0161-0 5-4	15601-1555-0 5-13
15434-1451-0 5-8	15601-5412-0 5-23
15451-3375-0 5-4	15601-5602-0 5-22
15451-92332 5-8	15601-9201-0 5-23
15451-9539-0 5-13	15601-9665-0 5-23
15451-9667-0 5-4	15611-5545-0 5-17
15461-5211-0 5-19	15611-5569-0 5-17
15461-63011 5-27	15611-5648-0 5-22
15469-0162-0 5-4	15621-1403-0 5-31
15471-1223-0 5-32	15841-1462-0 5-23
15471-1452-0 5-8	15841-5362-0 5-24

CROSS REFERENCE

Part Number	Page Number	Part Number	Page Number
15841-5385-0	5-24	17331-7334-0	5-29
15841-5386-0	5-24	17333-9101-0	5-4
15965	3-3	17343-1601-0	5-13
16081	2-53	17343-1615-0	5-13
16082	2-83	17345-1182-0	5-33
16213	2-67	17351-7425-0	5-30
16241-5442-0	5-23	17355-12312	5-32
16271-3209-0	5-4	17367-9101-0	5-7
16376	2-77	17367-9102-0	5-7
16415-0175-2	5-5	17404	2-99, 2-101
16415-5115-0	5-17	17414	2-49
16415-5122-0	5-21	17771	2-39
16415-5642-0	5-22	17980	2-97
16427-0482-0	5-11	19013-0345-0	5-5
16455	2-23	19013-0404-0	5-11
16462	2-73	19013-0405-0	5-11
16465	2-75	19013-0406-0	5-11
16475-4250-0	5-24	19013-0409-0	5-11
16475-5103-0	5-21	19013-0436-2	5-11
16475-5105-0	5-21	19013-0454-0	5-11
16475-5123-0	5-21	19013-0481-0	5-11
16475-5161-0	5-21	19013-0483-0	5-11
16475-6556-0	5-24	19013-1511-0	5-13
16484-1311-0	5-31	19077-0304-0	5-5
16484-1312-0	5-31	19077-0314-0	5-5
16604-04610	5-16	19077-0331-0	5-5
16641-2301-0	5-15	19077-1602-0	5-17
16649-7326-0	5-29	19077-1617-0	5-17
16662-11761	5-33	19077-2111-0	5-15
16695	4-4, 4-6, 4-9	19077-2191-0	5-15
17011-57380	5-23	19077-5101-0	5-19, 5-21
17111-3641-0	5-10	19077-5300-0	5-24
17200	2-27	19077-5365-0	5-24
17284	2-99, 2-101	19077-5371-0	5-24
17311-2201-0	5-15	19077-5372-0	5-24
17311-2231-0	5-15	19077-5373-0	5-24
17311-2347-0	5-15	19077-5374-0	5-24
17321-1356-0	5-5	19077-5605-0	5-22
17321-1358-0	5-5	19077-5641-0	5-22
17331-2105-0	5-15	19077-65512	5-24
17331-2109-0	5-15	19191	2-91, 2-93, 2-95
17331-2198-0	5-15	19202-0414-0	5-15
17331-2297-0	5-15	19202-0446-0	5-11
17331-2298-0	5-15	19202-2325-0	5-15
17331-2348-0	5-15	19202-2328-0	5-15
17331-2391-0	5-15	19202-2354-0	5-15
17331-2392-0	5-15	19202-2397-0	5-15
17331-2393-0	5-15	19202-2398-0	5-15
17331-2394-0	5-15	19202-3566-0	5-3
17331-2401-0	5-13	19222-1619-0	5-17
17331-2425-0	5-13	19343-7301-0	5-29
17331-2436-0	5-13	19458	2-77
17331-2437-0	5-13	19583	2-59
17331-2498-0	5-13	19629-2501-0	5-16
17331-4250-0	5-24	19644	2-73
17331-5613-0	5-22	19783	2-5
17331-5721-0	5-23	20099	5-11, 5-30
17331-5770-2	5-18	20100	5-27
17331-5772-0	5-18	20126	5-28
17331-5774-0	5-18	20128	5-28

CROSS REFERENCE

Part Number	Page Number	Part Number	Page Number
20132	5-17	20691	5-18
20135	5-3	20692	5-18
20139	5-19	20693	5-18
20143	5-15	20695	5-13
20146	5-21	20696	5-13
20147	5-21	20697	5-33
20148	5-21	20699	5-32
20149	5-21	20701	5-11
20150	5-15	20702	5-11
20157	5-26	20703	5-11
20194	5-21	20704	5-11
20195	5-21	20705	5-11
20196	5-21	20706	5-11
20197	5-21	20707	5-11
20198	5-21	20709	5-11
20199	5-21	20710	5-13
20205	5-21	20711	5-17
20245	5-21	20712	5-17
20256	5-24	20713	5-15
20383	5-21	20714	5-15
20385	5-21	20715	5-10
20414	5-13	20716	5-19, 5-21
20420	5-21	20717	5-24
20421	5-18	20719	5-24
20422	5-18	20720	5-24
20434	5-29	20721	5-24
20437	5-32	20722	5-24
20439	5-13	20723	5-24
20446	5-17	20725	5-22
20447	5-17	20726	5-22
20448	5-22	20727	5-24
20512	5-31	20734	5-29
20513	5-31	20735	5-16
20514	5-17	20739	5-3
20515	5-21	20742	5-7
20516	5-22	20743	5-5
20517	5-11	20744	5-7
20518	5-24	20745	5-7
20520	5-21	20746	5-5
20538	5-21	20747	5-5
20545	5-21	20748	5-5
20546	5-21	20749	5-5
20634	2-29	20750	5-5
20642	5-24	20752	5-29
20664	5-16	20753	5-29
20665	5-15	20754	5-29
20666	5-33	20755	5-30
20678	5-15	20756	3-37
20679	5-15	20944	3-7
20680	5-15	20950	3-7
20681	5-15	20951	3-7
20682	5-15	20952	3-7
20683	5-15	21035	2-83
20684	5-15	21206	2-35
20685	5-13	21207	2-35
20686	5-13	21211	2-25
20687	5-13	21657	4-27
20688	5-13	21659	4-27
20689	5-13	21930	4-21
20690	5-22	22140	2-51

CROSS REFERENCE

Part Number	Page Number	Part Number	Page Number
22260	2-105	30118	5-15
22290	2-115	30119	5-15
22727	2-63	30120	5-15
22729	2-13	30121	5-15
22731	2-63	30122	5-15
22737	2-13	30125	5-29
22758	4-21	30131	5-24
22786	3-7	30132	5-24
22787	3-7	30134	5-24
22789	3-7	30135	5-23
22790	4-25	30136	5-23
22911	3-17	30216	2-5
22912	3-17	30241	2-5
22933	3-17	30251	2-87
22966	2-15	30252	2-87
23001	2-105	30253	2-87
23002	2-105	30255	2-87
23004	2-105	30268	3-3
23005	2-105	30407	2-39
23006	2-105	30533	3-20
23007	2-105	31286	5-4
23191	2-65	31291	5-5
23231	3-15	31294	5-7
23274	3-31	31298	5-7
23498	2-15	31299	5-7
23524-1	2-105	31339	5-11
23524	2-31, 2-89	31354	4-4, 4-6, 4-9
23786	2-89	31373	4-4
23788	2-63, 2-103	31375	4-9
24012	2-47	31377	4-4
24299	2-5	31381	4-9
24339	2-59	31384	4-4
24358	2-109, 2-111, 3-7	31568	2-73, 2-75
24576-1	3-9, 3-15	31599	2-53, 2-113
24576	3-15	31602	2-73, 2-75
24899	2-87	31613	2-77
24924	2-41	31755	2-51
24976	2-39	31922	3-9
25066	2-39	32210-2758-0	5-3
25312	3-21	32270	2-13
25522	2-39	32490	2-83
25611	2-91, 2-93, 2-95	32492	2-67
26103	2-31	32493	2-65
26395-1	2-49	32494	2-103
27880	2-41	32495	2-89
28854	4-6	32508	2-109, 2-111
28950-2	2-53	32613	2-109, 2-111
29260	2-41	32614	2-109, 2-111
29499	2-81, 2-99	32669	2-109, 2-111
29558	2-81, 2-99	33123	2-99
30053	5-5	33294	3-3
30068	5-3	33295	3-3
30070	5-3	33404	2-85, 2-91, 2-93, 2-95
30071	5-3	33580	4-3
30105	5-16	33671	2-57
30113	5-15	33701	2-43
30114	5-15	33736	2-43
30115	5-15	33737	2-49
30116	5-15	33817	2-63
30117	5-15	34096	2-31

CROSS REFERENCE

Part Number	Page Number	Part Number	Page Number
34150-3786-0	5-17	39093	5-5
34176	4-9	39094	5-4, 5-5
34178	4-3	39096	5-5, 5-19, 5-29, 5-30, 5-31, 5-32
34179	4-3	39097	5-5, 5-7, 5-19, 5-27, 5-29, 5-30, 5-31, 5-32
34252	3-18	39103	5-7
34355	2-73	39104	5-7
34357	2-55	39105	5-7
34359	2-31, 2-33, 2-53, 2-79, 2-81, 2-85, 2-93	39106	5-7
34368	2-75	39107	5-7, 5-29
34390	2-17, 2-23, 2-33, 2-97	39109	5-7
34725	2-31	39112	5-7
34738	2-113	39113	5-7
34848	3-9	39114	5-7
34868	2-37	39115	5-7
35002	2-55	39116	5-7
35493	4-8	39117	5-7
35843	3-31	39118	5-7
36165	2-39	39119	5-7, 5-23
36376	2-41, 2-63	39120	5-7, 5-23
36438	3-15	39121	5-7, 5-23
36439	3-15	39122	5-7
36466	2-101	39128	5-11
36658	2-29	39130	5-11
36661	2-29	39138	5-19, 5-29, 5-33
36663	2-29	39139	5-5, 5-19, 5-32
36665	2-29	39141	5-31
36666	2-29	39142	5-31
36758	2-107	39143	5-31
37448	4-13	39146	5-31
37454	4-13	39147	5-31
37460	4-13	39148	5-5, 5-7, 5-22, 5-31
37462	4-13	39149	5-31
37471	4-13	39150	5-31
37555	4-4, 4-6, 4-9	39151	5-31
37616	4-3	39152	5-31
37704	4-13	39153	5-31
37756	4-3	39155	5-31
37766	4-3	39156	5-31
38255	4-3	39158	5-8
38957	5-27	39161	5-8
38968	4-3	39162	5-8
39051	5-3	39169	5-22
39052	5-3	39170	5-8
39054	5-3	39171	5-8
39055	5-3	39172	5-8
39056	5-3	39173	5-8
39057	5-3	39174	5-8
39058	5-3, 5-7	39175	5-8
39059	5-3	39176	5-8
39060	5-3	39177	5-8
39061	5-3	39181	5-15
39062	5-3	39186	5-13, 5-15, 5-26
39063	5-3	39188	5-15
39065	5-3, 5-7, 5-22, 5-23	39189	5-15
39066	5-3	39193	5-13
39067	5-3	39197	5-13
39073	5-17	39198	5-13
39087	5-5	39199	5-13
39088	5-5		

CROSS REFERENCE

Part Number	Page Number	Part Number	Page Number
39200	5-13	41789	5-3
39210	2-53, 2-85	41790	5-4
39223	5-16	41791	5-4
39272	2-57	41792	5-4
39389	5-16	41805	5-31
39399	5-16, 5-27	41806	5-8
39458	5-27	41807	5-8
39480	5-27	41808	5-31
39481	5-27	41812	5-15
39508	5-24	41813	5-15
39512	5-29	41857	5-24
39513	5-19	41951	5-17
39518	5-17	41955	5-23
39519	5-17	41958	5-30
39521	5-17	41959	5-17
39523	5-17	41963	5-17
39524	5-17	41965	5-17
39527	4-9	41969	5-19
39703-2	2-3	41971	5-17, 5-25
39713	5-17	41972	5-25
39780-1	2-37	41973	5-25
40021	5-22	41974	5-19
40032	5-22	41975	5-19
40033	5-22	41976	5-19
40040	5-22	41977	5-23
40079	5-22	41978	5-23
40080	5-22	42120-1	2-31
40083	5-22	42196	2-41
40159	5-23	42213	2-69
40165	5-23	42215	2-17
40166	5-23	42223	2-59, 2-69
40203	5-23	42226	2-33, 2-69, 2-79
40204	5-23	43290	2-85
40231	5-23	43844	2-49, 3-7
40233	5-23	44078	2-115
40333	5-18	44681	3-11
40334	5-18	44681-1	3-11, 3-13
40362	2-17	44681-2	3-11, 3-13
40375	5-18	44681	3-13
40398	5-18	44847	2-111
40400	5-18	44868	2-35, 2-53, 2-77, 2-91, 2-93, 2-95
40407	5-18	44869	2-33, 2-63, 2-87, 2-97
40409	5-18, 5-30	44906	2-13, 2-83, 3-31
40412	5-17	45261	3-33
40416	5-29	45272	3-12, 3-13
40418	5-29	45482	2-17
40420	5-30	45622	4-3
40421	5-30	45623	4-3
40585	2-49	45628	4-4, 4-6, 4-9
40607	2-37	45779	3-10, 3-11, 3-12, 3-13
40678	3-14	45780	2-19, 2-51
40678	3-9	46231	2-107
41186	2-13, 2-17, 2-51, 2-113	46236	2-37, 3-12, 3-13
41305	2-99, 2-101, 2-105	46481	2-97
41407	3-3	46563	2-63
41421	2-109, 2-111	46785-1	2-103
41451	2-109, 2-111	47167	2-39
41454	2-109, 2-111	47501	2-83
41787	5-3	47522	2-59
41788	5-3		

CROSS REFERENCE

Part Number	Page Number	Part Number	Page Number
47566	2-49	53610	3-31
47585	2-115	53612	2-59
47745	2-83	53786	2-29
47752	2-17, 2-77	53845	3-18
47801	2-31, 2-59	53910	2-31
48079	2-91, 2-93, 2-95, 2-99	53915	2-31
48126	2-49	53965	2-83
48267	2-49	53984	2-83
48570	3-9	53985	2-87
48617	2-75	54013	2-3, 2-25
48697	3-3	54014	2-3, 2-25
48734	3-26, 3-27	54050	2-83
48739	3-26, 3-27	54051	2-59
48742	3-26	54052	2-59
48743	3-27	54086	2-59
48813	4-8	54087	2-59
48988	3-3	54089	2-3, 2-25
49266	3-10, 3-11	54095	4-8
49266	2-51, 2-67, 3-9, 3-15	54096	2-31, 2-85, 2-89
49800	3-35	54121	2-29
49924	2-91, 2-93, 2-95	54182	2-7
49934	2-39	54184	2-7
50238	2-111, 3-3	54190	2-7
50256	2-111, 3-3	54192	2-7
50304	2-63, 3-25	54194	2-69
50467	2-49	54197	2-7
50896	2-107	54204	2-87
50960	2-17, 2-69	54274	2-19, 2-33, 2-35, 2-47, 2-51, 2-53, 2-63, 2-79, 2-97, 2-113
50967	2-53	54275A	2-35, 2-113
51109	2-63	54333	2-107
51225	2-83, 3-33	54390	2-61
51305	2-51	54400	2-61, 2-81, 2-85
51317	2-31, 2-87	54437	2-61
51338	2-59, 2-61	54467	2-61
51339	2-59, 2-61	54567	2-61
51448	2-87	54577	2-61
51449	2-87	54607	2-63
51534	2-31	54615	2-13, 2-21
51538	2-83, 2-99, 2-101, 3-31, 3-33	54618	2-103
51560-3	2-45	54659	2-87
51564	2-87	54660	2-83
51570	3-14	54680	2-87
51787	2-17, 2-21, 3-25	54848	2-81, 2-85
52142	2-55	54878	2-87
52296	2-81, 2-85	54922	2-5
52386	4-15, 4-17	54923	2-5
52402	2-17, 2-53, 2-77	54925	2-5
52405	4-3	54927	2-5
52929	2-53	55130	2-29
53076	2-69	55248	3-10, 3-11
53077	2-51	55248	3-15
53078	2-49	55274	2-19, 2-51
53091	2-15	55433	2-9, 2-11
53435	2-83, 4-4	55586	2-23, 2-33, 2-59, 2-79, 2-87, 2-91, 2-95
53466	2-83	55685	2-63, 2-115
53468	2-25, 2-35	55686	2-53
53485	2-35, 4-8	55700	2-73
53576	3-31		
53601	2-59		

CROSS REFERENCE

Part Number	Page Number	Part Number	Page Number
55779	2-87	58103	2-25
55844	2-3, 2-49	58114	2-113
55849	2-39, 5-4	58120	2-45
55850	2-49	58121	3-36
55864	2-3, 2-25	58248	2-111
55879	2-25	58366	2-39, 2-121
55884	2-25	58482	2-29
55886	2-25	58483	2-29
55889	2-25	58494	2-15, 2-27, 2-89
55890	2-3, 2-25	58500	2-27
55892	2-25	58518	3-10, 3-12
55893	2-31	58519	3-10, 3-12
55914	2-31	58520	3-10, 3-12
55930	4-15, 4-17	58524	2-27
55932	4-15, 4-17	58538	2-45
55937	4-15, 4-17	58770	2-9, 2-11
55939	4-15, 4-17	58842	2-59
55941	4-15, 4-17	59004	2-27
56166	2-105	59009	2-63
56185	2-115	59105	2-25
56186	2-33, 2-121	59192	2-9, 2-11, 2-15
56346	2-117	59377	2-17
56398	2-115	59378	4-8
56610	2-29	59431	2-5
56624	2-61, 2-81, 2-85, 2-91, 2-93, 2-95	59432	2-5
56662	2-85	59440	2-5
56690	2-77, 2-97, 2-115	59442	2-27
56692	2-17, 2-83, 2-113	59447	3-10, 3-11
56820	2-53, 2-59, 2-97	59448	2-27
56835	2-69	59514	2-11, 2-15
56855	3-33	59537	2-11
56872	2-7, 3-29	59538	2-9
56890	2-7	59542	2-23
56914	2-9, 2-11, 3-29	59545	2-29
57160	2-75	59579	2-75
57164	2-121	59656	2-35
57167	2-121	59668	2-65
57173	2-75	59672	2-65
57193	2-75	59680	2-3, 2-25
57219	2-75	59681	2-3, 2-25
57220	3-10, 3-11	59685	2-3, 2-25
57411	2-93	59686	2-3, 2-25
57479	2-51, 2-77	59687	2-3, 2-25
57569	2-51	59688	2-3, 2-25
57702	2-13	59692	2-9, 2-11
57751	2-121, 3-7, 3-10, 3-11, 3-12, 3-13, 3-15	59735	2-35
57803	2-121, 3-7, 3-10, 3-11, 3-12, 3-13, 3-15	59737	2-27
57889	2-41	59738	2-27
57897	4-15, 4-17	59739	2-27
57944	2-73	59849	2-23
57963	2-75	59899	2-81
57966	2-75	59945	2-49
57972	2-75	59949	2-19, 2-51
57974	2-73	59962	2-41, 3-7, 3-9
57979	2-17	59965	2-23, 3-15
57988	2-23, 2-63	59966	2-31
58078	2-31	59967	2-35
		59971	2-117
		59976	2-117
		59977	2-117

CROSS REFERENCE

Part Number	Page Number	Part Number	Page Number
59978	2-117	69234	2-57
60284	3-9	69582	2-99, 2-101
60288	3-10, 3-11	69784	3-5
60294	2-57	69904	2-7
60295	2-57	69931	2-9, 2-11
60559	2-43	69963	2-5
60751	3-9	69998	2-103
61363	2-43	70000-32091	5-9
61490	4-4, 4-6, 4-9	70000-65195	5-21
61529	2-43	70000-65197	5-21
61531	2-43	70000-65199	5-21
61891	4-15, 4-17	70000-65200	5-21
61920	3-15	70000-65201	5-21
61931	2-43	70000-65204	5-21
62100	2-73	70000-65207	5-21
62377	2-55	70000-65387	5-21
62389	2-69	70006	2-77
62595-16	2-21	70094	4-15, 4-17
63280	2-53	70095	4-15, 4-17
63292	2-67	70097	4-15, 4-17
63430	3-25	70098	4-15, 4-17
63448	3-25	70099	4-15, 4-17
63451	3-25	70100	4-15, 4-17
63516	2-87	70101	4-15, 4-17
63695	2-39	70102	4-15
63818	2-51	70103	4-15, 4-17
63923	4-27	70158	2-61
63987-1	2-107	70160	2-43
64173	2-99, 2-101	70161	2-61
64425	2-103	70173	2-49
64434	2-41, 2-107	70178	2-27
64533	2-17, 2-21	70181	2-69
64535	2-27	70182	2-27
64595	2-15, 2-27, 2-89	70185	2-27
64651	2-115	70218	2-115
64655	2-115	70219	2-115
64757	2-97	70222	3-29
64886	2-59	70223	3-29
64887	2-59	70224	3-29
65145-1	2-69	70225	3-29
65220	2-55	70226	3-29
65221	2-3, 2-55	70227	3-29
65441	2-67	70228	3-29
65869-5	2-3	70229	3-29
66018	2-5	70230	3-29
66019	2-5	70275	2-9
66176	3-31	70276	2-11
66177	3-31	70622	2-115
66178	3-31	70623	2-115
66179	3-31	70629	2-49
66211	2-61	70646	2-117
66213	2-61	70703	2-53
67004	3-25	70709	2-115
67310	2-63, 2-69	70717	2-115
67683	2-77	70767	2-49
67767	2-107	70827	2-41, 2-107
68866	2-67	70847	2-41, 2-107
68872	2-57	70890	5-4
68873	2-57	70891	5-4
69173	2-35, 2-97	70964	5-24

CROSS REFERENCE

Part Number	Page Number	Part Number	Page Number
70983	5-18	72805	2-23
71079	2-111	72807	2-19
71167	3-5	72808	2-19
71168	3-5	72809	2-19
71540	2-83	72814	2-13
71543	3-12	72818	2-19
71543	3-13	72821	2-19
71544	3-15	72830	2-63
72065	2-27	72832	2-91, 2-93, 2-95
72067	2-3	72833	2-89
72068	2-3	72836	2-89
72069	2-9, 2-11	72837	2-101
72071	2-25	72838	2-101
72086	3-31	72839	2-91, 2-93, 2-95
72087	3-31	72842	2-91, 2-95
72114	3-10, 3-11	72847	2-85
72118	2-11	72848	2-85
72119	2-9	72849	2-85
72120	2-9, 2-11	72858	2-85
72159	2-25	72859	2-95
72178	3-9	72860	2-91
72182	2-63	72864	2-101
72458	2-87	72869	2-101
72599	2-89	72870	2-99
72622	2-89	72871	2-99, 2-101
72623	2-89	72875	2-101
72625	2-91, 2-93, 2-95	72876	2-99
72627	2-41	72882	2-65
72635	2-113	72884	2-9
72641	2-19	72887	2-11
72642	2-19	72888	2-9
72646	2-19	72895	2-23
72663	2-91, 2-93, 2-95	72897	2-23
72664	2-99, 2-101	72898	2-23
72688	2-51	72899	2-23
72715	2-103	72910	2-105
72716	2-61	72912	2-15
72728	2-67	72917	2-105
72729	2-67	72919	2-103
72732	2-65	72926	2-59
72734	2-61	72933	2-101
72735	2-61	72934	2-99
72740	2-81	72945	2-95
72741	2-81	72946	2-95, 3-33
72743	2-81	72947	2-65
72751	2-107	72948	2-65
72752	2-107	72949	2-65
72753	2-107	72950	2-107
72754	2-107	72951	2-107
72763	2-89, 2-103	72952	2-107
72766	2-63	72953	2-107
72768	2-89	72955	3-5, 4-25
72773	2-91, 2-93, 2-95	72960	2-79
72775	2-91, 2-93, 2-95	72964	2-39
72776	2-89	72965	2-39
72777	2-91, 2-93, 2-95	72966	2-39
72785	2-19	72968	2-7, 2-9, 2-11, 2-25, 3-29
72786	2-39	72969	2-27
72787	2-39	72970	2-121
72792	2-121	72971	2-19, 2-27, 2-121

CROSS REFERENCE

Part Number	Page Number	Part Number	Page Number
72977	2-57	73187	2-49
72980	2-25	73203	2-129
72981	2-25	73204	2-129
72982	2-25	73205	2-119
72983	2-25	73229	2-117
72984	2-25	73230	2-119
72985	2-25	73231	2-117
72989	3-7	73232	2-117
72990	3-7	73233	2-119
72991	3-7	73234	2-119
72992	2-49	73235	2-119
73023	2-39	73236	2-119
73024	2-39	73239	2-119
73025	2-39	73242	2-15
73027	2-115	73244	2-21
73029	2-47	73249	2-21
73030	2-47	73250	2-17
73032	2-39	73255	2-21
73054	2-7	73258	2-87
73058	2-121	73260	3-7, 4-27
73061	2-115	73261	2-85
73068	2-23	73264	2-113
73076	2-23	73268	2-113
73077	2-23	73269	2-113
73086	2-33, 4-19	73270	2-113
73089	2-81, 2-91, 2-93, 2-95, 2-105	73273	2-21
73090	2-91, 2-93, 2-95, 4-6	73274	2-41
73093	2-115, 4-11	73277	2-15
73094	2-17	73281	2-59
73097	2-53	73282	2-55
73098	2-53, 4-5	73283	2-55
73099	2-97, 4-23	73291	2-39
73101	2-69, 4-13	73292	2-39
73102	4-15	73293	2-39
73103	2-79, 4-21	73294	2-39
73106	2-51	73295	2-39
73107	2-69	73296	2-39
73108	2-53, 2-63	73302	2-23
73109	2-69	73311	2-25
73111	2-69	73317	2-25
73112	2-113, 4-7	73318	2-25
73113	2-55	73320	2-29
73123	2-13	73321	2-29
73130	2-53	73322	2-29
73133	2-39	73323	2-29
73140	2-51	73327	2-21
73142	2-109	73328	2-49
73145	2-111, 3-3	73330	2-21
73146	2-39	73334	2-49
73147	2-111, 3-3	73335	2-49
73149	2-109, 2-111	73336	2-49
73164	2-35	73337	2-41
73169	2-15	73342	2-109, 4-25
73173	2-15	73344	2-105
73177	2-15	73357	2-105
73178	2-121	73360	2-105
73183	2-117	73365	2-103
73185	2-13	73368	2-103
73186	2-19	73370	2-103
		73372	2-103

CROSS REFERENCE

Part Number	Page Number	Part Number	Page Number
73375	2-103	74168	4-3
73378	2-27	74170	4-3
73396	2-35	74171	4-3
73397	2-35	74174	4-9
73400	3-16, 3-17	74175	4-6
73403	3-14	74177	4-6
73404	3-16	74178	4-6
73405	3-12, 3-13	74180	4-17
73408	3-16	74183	4-11
73409	3-16, 3-17	74185	4-11
73411	2-67	74192	4-11
73412	3-16, 3-17	74193	4-11
73414	3-16, 3-17	74196	4-11
73421	3-15	74198	4-13
73422	2-51	74199	4-13
73423	2-67	74200	4-13
73425	3-9	74201	4-13
73429	3-3	74202	4-13
73430	2-69, 4-26	74203	4-13
73433	3-3	74204	4-13
73437	2-67	74205	4-13
73439	3-15	74206	4-13
73440	3-9	74207	4-13
73445	2-121	74208	4-13
73451	3-15	74209	4-13
73453	3-16	74210	4-13
73455	3-9	74211	4-13
73457	3-10	74212	4-13
73459	3-11	74213	4-13
73461	3-12	74221	4-15, 4-17
73463	3-13	74222	4-11
73467	3-7	74225	4-15, 4-17
73468	3-3	74226	4-15, 4-17
73470	3-14	74227	4-15, 4-17
73471	3-7	74229	4-15, 4-17
73472	3-3	74230	4-15, 4-17
73474	2-107	74231	4-11
73475	3-7	74232	4-11
73476	3-7	74233	4-5, 4-7, 4-8
73477	2-107	74234	4-11
73478	3-3	74235	4-15, 4-17
73527	5-15	74236	4-11
73735	2-49	74237	4-15, 4-17
74094	4-4, 4-6, 4-9	74238	4-15, 4-17
74095	4-6, 4-9	74239	4-15, 4-17
74098	4-3, 4-6, 4-9, 4-19, 4-21, 4-23	74240	4-13
74099	4-6, 4-9	74241	4-11
74100	4-4, 4-6, 4-9	74242	4-11
74101	4-4	74243	4-11
74102	4-4	74244	4-11
74122	4-3	74245	4-11
74123	4-3	74247	4-13
74125	4-3	74248	4-15, 4-17
74137	4-3	74249	4-3
74145	4-21	74250	4-4, 4-6, 4-9
74162	2-59, 4-3	74375	3-31
74165	4-3	74379	3-31
74166	4-3	74380	3-31
74167	4-3	74381	3-31
		74382	3-31

CROSS REFERENCE

Part Number	Page Number	Part Number	Page Number
74383	3-31	77312	2-73
74391	2-61, 2-81, 2-85	77314	2-73
74409	2-27	77315	2-73
74468	2-87, 4-9	77316	2-73
74469	4-15, 4-17	77320	2-113
75050	2-103	77321	3-25
75128	2-21	77322	3-25
75305	2-65	77323	2-111
75456-3	2-113	77326	2-15
75456-4	2-113	77329	2-47
75520	2-85, 2-89	77331	2-99
75611	2-109, 2-111	77333	2-99, 2-101
75635	3-26, 3-27	77334	2-107
75968	2-115	77335	2-81
76075	3-7	77336	2-81
76315	2-69	77337	2-75
76736	2-49, 2-65	77338	2-73
76762	2-73	77340	2-17, 2-21
76943	2-103	77342	2-21
77097	2-23, 2-31, 2-33, 2-35, 2-53, 2-79, 2-83, 2-85, 2-89, 2-91, 2-95, 2-97, 2-105	77343	2-109, 2-111
77098	2-79	77348	2-49
77207	2-13	77350	2-131
77211	2-13	77352	2-131
77212	2-15	77359	2-75
77214	2-39	77361	2-77
77216	2-53	77363	2-15
77221	2-131	77372	2-21
77222	2-113	77375	2-27
77224	2-103	77603	2-39
77227	2-103	78143	2-55, 2-69
77228	2-103	78398	2-107
77234	2-111	78722	2-21
77235	2-13	78726	2-21
77237	3-5	78727	2-21
77239	2-69	78730	2-77
77240	2-15	78732	3-10
77241	2-15	78732	3-11
77244	2-17	78738	2-15
77260	2-97	78740	2-109
77264	2-15	78743	2-77
77272	2-103	78744	2-77
77273	2-103	78749	2-51
77275	2-103	78750	2-55
77284	2-63	78755	2-51
77297	2-7	78770	2-53
77298	2-7	78771	2-15
77299	2-19	78773	5-32
77301	2-75	78775	2-75
77302	2-75	78776	2-73
77303	2-73	78777	2-73
77304	2-73	78779	2-75
77305	2-73	78780	2-75
77306	2-73	78781	2-75
77307	2-73	78782	2-15
77308	2-73	78783	2-15
77309	2-73	78787	2-31
77311	2-75	78807	2-39
		78808	3-25
		78810	2-75
		78811	2-73

CROSS REFERENCE

Part Number	Page Number	Part Number	Page Number
78816	3-22	79380	2-113
78818	3-22	79381	2-55
78820	2-75	79397	3-14
78821	2-75	79425	2-29
78826	2-15	79447	2-105
78827	2-15	79449	2-73
78828	4-25	79497	3-3
78829	4-25	79710	4-26
78830	4-25	79711	4-19, 4-21, 4-23
78833	4-25	79712	4-26
78836	4-25	79713	4-26
78837	4-25	79714	4-26
78838	4-25	79715	4-26
78839	4-25	79716	4-19, 4-21, 4-23
78840	2-109, 4-25	79718	4-21, 4-23
78841	4-25	79719	4-19, 4-21
78842	4-25	79720	4-19, 4-21, 4-23
78843	4-25	79721	4-21
78845	2-45	79722	4-21, 4-23
78846	2-45	79723	4-21, 4-23
78848	2-13	79724	4-21
78851	2-15	79725	4-21
78855	2-13	79726	4-21, 4-23
78860	3-23	79727	4-21, 4-23
78868	2-109	79728	4-19, 4-21, 4-23
78869	2-111	79731	4-19
78870	2-19	79732	4-19
78875	4-27	79733	4-19
78877	3-22	79734	4-23
78882	3-35	79735	4-23
78886	2-109	79736	4-23
78887	2-109	79737	4-23
78889	2-51	79738	4-23
78898	2-17	79740	4-19, 4-21, 4-23
78904	3-31	79770	2-69, 4-17
78906	2-23	82063	3-10, 3-12
78907	2-23	82196	3-35
78923	2-21	82200	3-11, 3-13
78928	2-51	82229	2-33
78935	3-9	82475	2-29
78936	2-23	82483	2-25
78937	2-49	82579	2-39
78944	2-85	82597	2-41
78963	4-25	82693	2-3, 5-9
78979	2-103	82731	2-43
78981	3-18	82739	2-37
78985	3-20	82802	2-93
78987	3-21	82814	2-75
79195	2-15	82815	2-73
79197	2-13	82817	2-73
79217	2-103	82825	2-91, 2-95, 2-97
79219	2-105	82832	2-59, 2-87
79220	3-28	82839	2-7, 2-65
79261	4-25	82844	2-73
79273-2	2-107	83733	2-105
79283	2-3	83749	2-105
79320	2-109, 2-111	83756	2-105
79336	2-107	83780	2-105
79350	2-107	83781	2-105
79376	2-89	83881	2-67

CROSS REFERENCE

Part Number	Page Number
83887	2-67
84593	2-103
84596	2-59
84597	2-59
84598	3-37
84639	2-15
85312	3-37
86041	2-43
86240	2-61, 2-105
86327	2-105
86330	3-10, 3-11
86332	3-9
86381	2-121
86575	4-25
86579	2-109, 2-111, 3-7
86591	2-109, 2-111
86636	2-111, 3-7
86751	2-61, 2-63
86755	2-109
86759	2-99, 2-101
86812	2-105
86824	2-107, 3-3, 3-7
86860	2-99, 2-101, 3-33
86952	2-91, 2-93, 2-95
87319	2-121
87396	2-49
87536	2-117
87631	2-87
87651	2-75
87652	2-75
87681	2-73, 2-75
87816	2-99, 2-101
87866	2-117
87948	3-9
89710	2-107
97031	2-63
97163	2-65

PART DESCRIPTION TO PAGE NUMBER CROSS REFERENCE LIST

A

Actuator, Mag, 4-26
 Adaptor, Brush, 2-5
 Adaptor, Oil Filter, Remote, 2-39
 Adaptor, Oil Filter, 2-39
 Air Cleaner, 2-45
 Alarm Kit, Backup, 3-15
 Alternator Pully MD, 2-43
 Alternator, 50A/12V Mando, 2-43
 Angle Wldt, Lh, 2-17
 Angle, Battery, 2-57
 Angle, Cable Keeper, 2-61, 2-81, 2-85
 Angle, Filler, 3-29
 Angle, Hopper, 2-25
 Angle, Retainer, Spring, 2-81, 2-91, 2-93, 2-95
 Angle, Stiffener, Tray, Filter, 2-29
 Angle, Stop, Squeegee, 2-99, 2-101
 Angle, Stop, 3-31
 Arm Assy, Lift, Lh W/Label, 2-23
 Arm Assy, Lift, Rh W/Label, 2-23
 Arm Assy, Safety W/Label, 2-23
 Arm Wldt, Bottom, 2-103
 Arm Wldt, Brush, Drive, 2-87
 Arm Wldt, Idlerr, W/Brush, 2-87
 Arm Wldt, Support, Sqge,Lh, 2-91
 Arm Wldt, Support, Squeegee,Rh, 2-95
 Arm Wldt, Top, Lh, 2-103
 Arm Wldt, Top, Rh, 2-103
 Arm Wldt, 3-33
 Arm, Lift, 2-83
 Arm, Squeegee, Lh, 2-101
 Arm, Squeegee, Rh, 2-99
 Arm, 2-67, 2-103
 Armrest Assy,Lh& Rh, 3-18
 Assy Apparatus. I/D., 5-18
 Assy Bolt, Adjusting, 5-18
 Assy Camshaft, Fuel, 5-17
 Assy Camshaft, 5-13
 Assy Case Maiin Brg., 5-11
 Assy Case. Main Brg., 5-11

Assy Case, Gear, 5-7
 Assy Case, Main Brg, 5-11
 Assy Cock, Jet Start, 5-19
 Assy Connecting Rod, 5-15
 Assy Holder. Nozzle, 5-24
 Assy Lever. Eng. Stop, 5-18
 Assy Lever, Fork, 5-22
 Assy Pipe, Fuel, 5-19
 Assy Pipe, Over Flow, 5-24
 Assy Piston Ring, 5-15
 Assy Plate, Lock, 5-21
 Assy Pump. Injection, 5-21
 Assy Pump, Injection, 5-19
 Assy Pump, Oil, 5-3
 Assy Pump, Water, 5-30
 Assy Rocker Arm, 5-31
 Assy Seal, Mechanical, 5-30
 Assy Shaft, R-arm, 5-31
 Assy Starter, 5-27
 Assy Tappet, 5-21
 Assy Thermostat, 5-29

B

Backplate Assy, 4-15, 4-17
 Backplate S/A Ce, 4-13
 Ball Cl, 4-11
 Ball Joint, 10-32, 2-41, 2-65
 Ball Joint, 250-28, 2-15, 2-41, 2-67
 Ball, .313 Dia. Cp, 4-21, 4-23
 Ball, 4-3, 5-7, 5-15, 5-17
 Balljoint 10-32 Ball Stud, 2-65
 Balljoint 10-32 Body Clip, 2-65
 Balljoint, Rod End 5/8-18, 2-103
 Balljoint, Rod End, 2-59
 Band, Pipe, 5-29
 Banjo Fuel, 2-49
 Bar, Adjustment, Pivot, 2-89
 Bar, Link, 2-31
 Bar,Shaker Spring, 2-29
 Bar,Shaker, 2-29

CROSS REFERENCE

Bar-Flt .06T 1.00W 4.00L,Rbr, 2-29
Bar-Flt .06T 4.00W 5.00L,Rbr, 2-29
Battery, 12V, Cc Amps:600 Wet, 2-57
Bearing Cam, 4-15, 4-17
Bearing Ce, 4-13
Bearing Cl, 4-11
Bearing Race, 4-13
Bearing Thrust, 4-4
Bearing. Ball, 5-17
Bearing, 1.00 DIA x .75 L, 2-105
Bearing, 1.00 DIA x .38 L, 2-105
Bearing, Ball, 5-17, 5-30
Bearing, Brake, 2-61, 2-63
Bearing, Flange .500B, 2-115
Bearing, Flange, .750 Bore, 2-89, 2-103
Bearing, Flange, 1.00 Bore, 2-103
Bearing, Self Align, Sealed, 2-23
Bearing, Thrust .500, 2-99, 2-101, 3-33
Bearing, Thrust .66B 1.25D .06W, 2-103
Bearing, Thrust, 4-15, 4-17
Bearing,.50X.38, 2-99, 2-101
Bearing&Clr ,1.25B 2.44D 1.41W, 2-87
Bearing-Ball,.669B 1.575D .472W, 2-43
Bearing-Ball,1.38B 2.83D 0.67W, 2-87
Bearing-Cone, 1.38Bore 0.71Wth, 2-59, 2-61
Bearing-Cup , 2.56Dia 0.55Wth, 2-59
Bearing-Cup, 2.56Dia 0.55Wth, 2-61
Bearing-Flange,2 Hole .625Bore, 2-31
Bearing-Flange,2 Hole 0.50Bore, 2-115
Bearing-Self Align 1.250 Bore, 2-31
Bearing, 4-13
Bellcrank Assy, Lower, 2-105
Bellcrank Assy, Upper, 2-105
Bellows Kit Gr, 4-27
Bellows, .75 Id 10.3L, 2-111, 3-3
Blade Assy, Sqge, Front, .25, 3-22
Blade Assy, Sqge, Rear, .25, 3-22
Blade Assy, Squeegee, Front, 2-105
Blade Assy, Squeegee, Rear, 2-105
Blade Assy, Squeegee, Side, Lh, 2-101
Blade Assy, Squeegee, Side, Rh, 2-99
Blade, Deflector, 2-7
Block, Fuse, 2-121
Bolt , 5-7
Bolt Cl, 4-3
Bolt. Cylinder Head, 5-5
Bolt, Adjusting, 5-23
Bolt, Axle w/Zerk, 2-103
Bolt, Bearing Case, 5-11
Bolt, Connecting Rod, 5-15
Bolt, Flange, 5-4
Bolt, Flywheel, 5-16
Bolt, Lever Shaft, 5-22
Bolt, Hold Down, Battery, 7.5 Lg, 2-57
Bolt-Eye, .25-20Th .25B 1.4L, 2-91, 2-93, 2-95, 2-99
Bolt-Eye, .25-20Zinc.56D 2.00L, 2-25
Bolt-Eye, .31-18Th .18B 2.75L, 2-85
Bolt-Eye, M 8X1.25 .328 1.18L, 2-103
Bolt, 4-3, 5-3, 5-4, 5-5, 5-7, 5-11, 5-13, 5-16, 5-17, 5-18, 5-19, 5-21, 5-22, 5-23, 5-25, 5-27, 5-29, 5-30, 5-33
Boot, Alternator, 2-43
Boot, Circuit Breaker, 3-10, 3-11, 3-12, 3-13
Boot,Batt.Term. 1-2Ga. Red, 2-57
Boot,Batt.Term.1-2Ga. Black, 2-57
Boot,Circuit Breaker, 3-7
Boot-Circuit Breaker, 2-121, 3-15
Bracket Alt Kubota Se, 2-43
Bracket Repl Kit,Hpr Cvr Sprng, 2-27
Bracket Spring Retainer, 2-5
Bracket Tie Down, 3-35
Bracket Wldt, Fan, 2-39
Bracket Wldt, Light, Rotating, 3-12, 3-13
Bracket Wldt, Mtg, Valve, 2-79
Bracket Wldt, Steering, Tilt, 2-115
Bracket Wldt, 2-55
Bracket, Adjustment, Sidebrush, 2-81
Bracket, Alarm Backup, 3-15
Bracket, Cable Clip, 2-105
Bracket, Cover, 2-21
Bracket, Detergent Tank, 3-7
Bracket, Eng, Lh, Front, Lower, 2-39
Bracket, Eng, Lh, Front, Upper, 2-39
Bracket, Eng, Lh, Rear, Lower, 2-39

- Bracket, Eng, Rh, Front, Upper, 2-39
- Bracket, Eng, Rh, Rear, Upper, 2-39
- Bracket, Eng,Lh,Rear, Upper, 2-39
- Bracket, Fan, 2-113
- Bracket, Filter, 2-29
- Bracket, Flap, Recirculation, 2-7
- Bracket, Flasher, 3-9, 3-15
- Bracket, Gusset, Corner, Lh, 2-27
- Bracket, Gusset, Corner, Rh, 2-27
- Bracket, Gusset, Rear, 2-105
- Bracket, Hinge, 2-21
- Bracket, Holder, 2-107
- Bracket, Hood, Lh, 2-15
- Bracket, Hood, Rh, 2-15
- Bracket, Hose, Clamp Down, 2-7
- Bracket, Hose, 2-87
- Bracket, L, 2-119
- Bracket, Latch, 2-15
- Bracket, Light, Sbdc, 3-9
- Bracket, Metering Pump, 3-7
- Bracket, Motor, 2-83, 2-91, 2-93, 2-95
- Bracket, Mounting Motor, 2-35, 2-113
- Bracket, Mounting, Flow Switch, 2-69
- Bracket, Mounting, Fuel Pump, 2-49
- Bracket, Mounting, Hinge, Lh, 2-9
- Bracket, Mounting, Hinge,Rh, 2-11
- Bracket, Mounting, Seat Kit, 3-19
- Bracket, Mounting, Seat, 3-19
- Bracket, Mounting, Spring, 2-15
- Bracket, Mounting, 3-14
- Bracket, Mtg, Fan, 2-113
- Bracket, Mtg, Light, Ohg, 3-10, 3-11
- Bracket, Mtg, Oil Filter, 2-39
- Bracket, Mtg, Spring, 2-27
- Bracket, Mtg, Tank, 2-111
- Bracket, Pivot, 2-99, 2-101
- Bracket, Propel, 2-67
- Bracket, Retainer, 2-105
- Bracket, Rocker Arm, 5-31
- Bracket, Safety Clip, 2-67
- Bracket, Sbdc, 3-31
- Bracket, Shock, 2-67
- Bracket, Side Brush, 2-81
- Bracket, Sppt, 2-53
- Bracket, Spring, 2-105
- Bracket, Support, Cable, 2-101
- Bracket, Support, Cylinder, 2-81
- Bracket, Support, Pulley, 2-81
- Bracket, Support, 2-61, 2-63
- Bracket, Switch, 3-9
- Bracket, Throttle, Engine, 2-41
- Bracket, Tiedown, Seat, 3-35
- Bracket, Valve, 2-107, 3-3
- Bracket,Rear Tiedown, 3-35
- Bracket, 2-29, 2-63, 2-85, 2-109, 2-111, 2-121, 3-9
- Brake Assy, 2-61
- Brake Repair Kit KN, 2-61
- Brake Shoes, 2-61
- Brake Wldt, Emergency, 2-63
- Breaker-Circuit 10 Resetable, 2-121
- Breaker-Circuit, 15A Resetable, 2-121, 3-7, 3-15
- Breaker-Circuit, 15A, Resetbl, 3-10, 3-11, 3-12, 3-13
- Breather, Hyd Cap 40 Mic 8.5 DS, 2-77
- Brush Kit, 2-43, 4-25
- Brush Side Swp.-24 D- -Nyl, 2-5
- Brush-Disk Scr 16 D Assy Poly, 2-5
- Brush-Disk Scr 16 D-Assy-Nyl, 2-5
- Brush-Disk Scr 16 D-Assy-S Ab, 2-5
- Brush-Disk Scr-16 D-Assy-Bass, 2-5
- Brush-Disk Scr-16 D-Assy-Stfp, 2-5
- Brush-Pad Drive-16 D-Assy-Poly, 2-5
- Brush-Side Swp 23 D, 2-5
- Brush-Side Swp 23D Poly, 2-5
- Brush-Sweep Dmo 45Lg 8Dr P&W, 2-5
- Brush-Sweep Spl 45Lg 24Sr F&W, 2-5
- Brush-Sweep Spl 45Lg 24Sr Nylo, 2-5
- Brush-Sweep Spl 45Lg 8Dr Nylon, 2-5
- Brush-Sweep Spl 45Lg 8Dr P&W, 2-5
- Brush-Sweep Spl 45Lg 8Dr Poly, 2-5
- Brush-Sweep Spl 45Lg 8Dr-Wire, 2-5
- Brush-Sweep Spl-45Lg-5Dr-Nyl, 2-5
- Bshg,Flange,0.50Bx0.62Odx0.40L, 3-31
- Bulb 12V. 5A 4cp #1157, 2-51

CROSS REFERENCE

Bulb GE, 3-14
Bulb, 12V .1A 01Cp #53, 3-9
Bulb, 12V .27A 2Cp #194, 3-9
Bulb, 12V .9A 15, 3-15
Bulb, 12V.5A 4CP #1157, 2-19, 2-51
Bulb, General Electric, 3-10, 3-11, 3-12, 3-13
Bumper Kit, Squeegee, 2-105
Bumper Wldt, Front, 2-27
Bumper, rubber, .50 Dia, 2-97
Bumper, Rubber, 2-17, 2-21, 3-25
Bumper, Squeegee, 2-105
Bumper,Rbr,W.Knurled Stud, 3-33
Bush, Idle Gear, 5-13
Bush, Piston Pin, 5-15
Bushing, Flanged, .625 Id, 2-91, 2-93, 2-95
Bushing, Spanner - Special 550, 2-103
Bushing, 2-63
Button, Pivot Ce, 4-13

C

Cable, Adj, Main Brush, 2-85
Cable, Brake, Service, 2-61
Cable, Brushlift, 2-85
Cable, Door, Access, 2-13
Cable, Lift, Side Brush, 2-81
Cable, Push-Pull, 2-41
Cable, Push/Pull, 2-65, 2-101
Cable, 2-89, 2-105
Cabletie Mount, Adhesive, 3-10, 3-11, 3-15
Cam, Speed Limiter, 2-65
Camplate Ce, 4-13
Camplate, 4-15, 4-17
Camshaft, Fuel, 5-17
Camshaft, 5-13
Cap Assembly, Tank, 2-111
Cap Assy, Pos Drain, 3-26, 3-27
Cap Drain, 2-109, 2-111
Cap Radiator, 2-51
Cap Tank, 3-7
Cap, Assembly, Tank, 2-109
Cap, Door, 2-19
Cap, Drain Hose, 2-109, 2-111
Cap, Drain, 4-25
Cap, End Cl, 4-11
Cap, Fuel, 2-49
Cap, Hub, 2-61
Cap, Ohg, 3-17
Cap, Plate, 2-109
Cap, Rework, Ohg, 3-16
Cap, Screw Cl, 4-9
Cap, Screw, 4-6, 4-9
Cap, Sealing, 5-3, 5-5
Cap, Valve, 5-31
Cap, 5-18, 5-23
Cart.Psi Ct Cp, 4-23
Cart, Check Vlv Cp, 4-21
Cart, Check Vlv, 4-26
Cart,Logic Cntl Cp, 4-21, 4-23
Cart,Pilot Cntr Cp, 4-21
Cartridge. Oil Filter, 5-9
Cartridge, Solenoid Valve, 4-8
Cartridge, 2-3
Case, Governor Ball, 5-17
Case, Replmt Kit, 2-117
Chain, Link#2/0, 5 Links Plain, 2-7
Channel Wldt, Fan Motor, 2-53
Channel Wldt, 3-33
Channel, Brace, 2-51
Channel, Mounting, Radiator, 2-51
Channel, Mounting, Steering La, 2-115
Channel, Retainer, Seal, Rear, 2-7
Check Valve Kit, 4-25
Cir-clip. Gov. Sleeve, 5-17
Cir-clip, External, 5-13, 5-17, 5-31
Cir-clip, 5-17
Clamp Assy, 2-45
Clamp, Cable .44D .62Wide, 3-14
Clamp, Cord, 5-24
Clamp, Hose 3.6Min.-4.5Max, 2-15
Clamp, Hose, Plastic, 3-5
Clamp, Hose, 2-25, 2-35, 2-83, 2-109, 2-111
Clamp, Mtg, Tank, 2-109
Clamp, Pipe, 5-8, 5-24
Clamp,Cable .44D .62Wide, 3-9

- Clamp,Cable 1.25Dia 1.00W Neo, 2-121
- Clamp,Mounting,Cyclopac Aircl., 2-45
- Clamp-Cable, 0.25Dia 0.56Wth, 2-37
- Clamp-Cable, 0.38Dia 0.62Wth, 2-49, 2-65
- Clamp-Cable, 0.56Dia 0.38Wth, 2-49
- Clamp-Cable, 1.00Dia. .62Wth, 2-57
- Clamp-Cable, 1.25D 1.00W STL, 2-39
- Clamp-Cable, 2.50D 1.00W STL, 2-49
- Clamp-Cable,.69Dia. 62Wth, 2-107
- Clamp-Conduit, 1 Hole 0.50Dia, 2-101
- Clamp-Conduit, 2 Hole .38Dia, 2-65
- Clamp-Muffler,For 1.62 Od Tube, 2-47
- Clamp-Wormdrive 0.50-1.06D, 2-107, 3-3, 3-7
- Clamp-Wormdrive, 0.25- 0.62D, 2-49, 3-7
- Clamp-Wormdrive, 0.31- 0.88D, 2-107
- Clamp-Wormdrive, 1.06- 2.00D, 2-55
- Clamp-Wormdrive, 1.81- 2.75D, 2-45
- Clamp-Wormdrive, 2.63- 4.50D, 2-113
- Clamp, 3-12, 3-13
- Clevis, Adjustable, 2-61
- Clip Safety, 2-15, 2-27, 2-89
- Clip, Keeper, Open, 2-39
- Clip, Pipe, 5-19, 5-24
- Clip, Piston Pin, 5-15
- Clip-Finger Grip, 3-25
- Cock, Drain, 5-3
- Coil, 12V, 4-19, 4-21, 4-23
- Coil, 4-8
- Collar, Crankshaft, 5-15
- Collar, Locking, Plated, 2-31
- Collar, Spring Ce, 4-13
- Collar, 5-13, 5-17, 5-23
- Collet, Valve Spring, 5-31
- Column, Pump, 4-25
- Column, Steering #2 10Lg Wire, 2-115
- Combustion Chamber, 5-5
- Comp. Crankcase, 5-3
- Comp. Crankshaft, 5-15
- Comp. Cylinder Head, 5-5
- Comp. Flange, Water, 5-29
- Comp. Flywheel, 5-16
- Comp. Gear, Idle, 5-13
- Comp. Lever, Governor, 5-22
- Comp. Oil Pan, Shallow, 5-4
- Compensator Ce, 4-13
- Cooler, Hyd 25Gpm 400Btu 0500, 2-51
- Cord, Glow Plug, 5-24
- Cord, Sponge, 2-3, 2-25
- Coupler, Female X Hose Shank, 3-26, 3-27
- Coupler, 2-69
- Coupling Assy, Flywheel 8.75Bc, 2-39
- Cover Assy, Hopper, 2-27
- Cover Ce, 4-13
- Cover Lid, 2-111, 3-7
- Cover Wldt, Fan, 2-53
- Cover Wldt, Sppt, Seat, 2-13
- Cover, Bearing Case, 5-11
- Cover, Cleanout, 2-15, 2-111
- Cover, Cyl. Head, 5-8
- Cover, Demister, 2-15
- Cover, Duct, Exhaust, Top, 2-25
- Cover, Engine, 2-15
- Cover, Fuel Camshaft, 5-17
- Cover, Injection Pump, 5-18
- Cover, Insert, 2-109, 2-111
- Cover, Lintel, 2-21
- Cover, Motor, 3-5
- Cover, O-Ring, 4-15, 4-17
- Cover, Recovery Tank, 2-21
- Cover, Sbdc, 3-31
- Cover, Thermostat, 5-29
- Cover, Trunion, 4-15, 4-17
- Cover, Wldt., Battery, 2-13
- Cover, 4-13, 4-15, 4-17, 5-7
- Crank Replmt.Kit,Pump F/79323, 4-27
- Crome Pltd. Camshaft KN, 2-61
- Cup Assy, 2-45
- Cushion, Piston, 4-26
- Cylinder, Hyd 1.5B 02.8S.2500, 2-81, 2-91, 2-93, 2-95, 2-105
- Cylinder, Hyd 2.0B 08.0S 2500, 2-59
- Cylinder, Hyd 2.0B 12.0S 2500, 2-23
- Cylinder-Hyd2.0X4.0Da2500Psi, 2-31, 2-85, 2-89

CROSS REFERENCE

D

Diode Assy, 2-121
Diode, Bridge 12 Amp, 2-121
Door Wldt, Brush, Lh, 2-9
Door Wldt, Brush, Rh, 2-11
Door Wldt, Side, Engine, 2-17
Door, Dump, 2-25
Door, Dust, 2-31
Door, Rear, Rh, 2-19
Drain Cap Gasket, 2-109
Drain Cock,.25Npt Wh#120 Angl, 2-51
Drive Cl, 4-6, 4-11
Drive, 4-3, 4-4, 4-9
Duct Assy, Vac Fan W/Seal, 2-35
Duct, Side, 2-35
Duct, Vinyl .40X .75X24.0 .25D, 2-27
Duct, Vinyl .40X.75X26.0 .25D, 3-9
Duct, Vinyl 10.0 In., 3-11
Duct, Vinyl 10.0 In, 3-10
Duct, Vinyl 19.0 In., 3-10, 3-11
Duct, Vinyl 6.0 In., 3-10, 3-11
Dust Cont Kit S Br 8400, 3-31

E

Element Kit, Air, Safety, 3-36
Element, Breather, 5-8
Element, Filter, 2-3
Element, Safety, 3-36
End Cap Cl, 4-6
End Cap, 4-4
End, Cap, 4-9
Engine Assy, Die (See Breakdown), 2-39
Extinguisher Kit Fire 8400, 3-21
Extinguisher, Fire, 3-21

F

Fan, Radiator, 2-53
Fan, Repair Kit, ,Reassembly, 2-113
Filter Assy, Spin-On, 2-55
Filter Element, Air, 2-45
Filter Element,Oil,Gas-Se, 2-3
Filter Element, 2-55

Filter Replmt Kit, ESt, 3-5
Filter, Fuel, diesel, 2-49
Filter, Fuel, Element, 2-3, 2-49
Filter, Oil, 5-4
Filter, PKG, Panel, 94 Pleats, 2-29
Fitting , Elbow Gr, 4-25
Fitting, Brass E90, 2-49
Fitting, Bulkhead Fem,, 3-3
Fitting, Plastic, Str,Ba.31Id-, 2-107
Fitting-Barb, Strt 3/8 Id Hose, 3-7
Fitting-Barb,90Deg,3/8 Id Hose, 3-7
Fitting-Brs, 3-3
Fitting, Elbow Gr, 4-25
Fitting-Hyd Str, 2-39, 2-63, 2-69
Fitting-Hyd Tee, 2-55
Fitting-Hyd, 2-69
Fitting-Plastic E45 12Pf-12Pf, 3-5
Fitting-Pls E90, 3-3
Fitting-Pls Str, 3-7
Fitting ,Str Gr, 4-25
Flange Mounting, 4-6, 4-9
Flange. Water Return, 5-7
Flange, Mounting, 4-4
Flange, Water Pump, 5-30
Flange,Brg,3 Hole, 2-87
Flapper, Valve, 4-25
Flasher Heavy Duty, 3-9
Flasher,12V.Ideal, 3-15
Float Bottle, 2-111, 3-3
Foam, Sbdc, Lh, 3-31
Foam, Sbdc, Rh, 3-31
Frame Wldt, Mtg, Brush, 2-89
Frame Wldt, Mtg, Radiator, 2-51
Frame Wldt, Squeegee , Rh, 2-99
Frame Wldt, Squeegee, Lh, 2-101
Frame Wldt, Squeegee, 2-105
Frame Wldt, 2-7
Ftg Brs E90, 3-3
Ftg Plastic E90 .75Barb .75Npt, 2-109
Ftg Qkdisc, Male, 3-3
Ftg, Brass,St Bm03/Pm02, 2-37
Ftg, Breather, 2-37

Ftg, EI90 Npt/02Pf-02Pm, 2-45
Ftg, Grease.25-28Th Strt .47L, 2-23
Ftg, Grease.25-28Th Strt .63L, 2-31, 2-59
Ftg, Plastic1/2 Nptm Ghtf, 3-3
Ftg,Pipe,Nip.Close 0.50Pt.Blk, 3-3
Ftg,Plstc,Cplg,Barb.75Pt-.75Hs, 2-107
Ftg,Plstc,Elb,Barb.50Hs-.50Hse, 2-107
Ftg,Plstc,Nip. 0.75Ptx 1.68Lg, 3-5
Ftg,Plstc,Str,Barb.50Pt-.75Hse, 2-107
Ftg,Plstc,Str,Bk 12Pf/12Pf, 2-109, 2-111
Ftg,Plstc,Tee.50-.50-.50Pipe, 3-3
Ftg,Plstc,Tee,Barb.75-.75-.75, 3-7
Ftg-Brs E45 Pm02/Pf02, 2-39
Ftg-Brs E90 If03/Pm02, 2-49
Ftg-Brs Str If05/Pm02, 2-49
Ftg-Brs Str If05/Pm02, 2-49
Ftg-Hyd Crs Jm04/Om04, 2-93
Ftg-Hyd E45 Jm04/Om04, 2-31, 2-33, 2-53, 2-79, 2-81, 2-85, 2-93
Ftg-Hyd E45 Jm06/Om06, 2-59
Ftg-Hyd E45 Jm08/Om08, 2-33, 2-69, 2-79
Ftg-Hyd E45 Jm12/Om12, 2-53
Ftg-Hyd E45, 2-51, 2-77
Ftg-Hyd E90 Jm04/Jf04, 2-53, 2-85
Ftg-Hyd E90 Jm04/Om04, 2-23, 2-31, 2-33, 2-35, 2-53, 2-79, 2-83, 2-85, 2-89, 2-91, 2-95, 2-97, 2-105
Ftg-Hyd E90 Jm06/Om04, 2-79
Ftg-Hyd E90 Jm06/Om06, 2-53, 2-59, 2-97
Ftg-Hyd E90 Jm08/Jf08, 2-97
Ftg-Hyd E90 Jm08/Om06, 2-69
Ftg-Hyd E90 Jm08/Om08, 2-35, 2-53, 2-77, 2-91, 2-93, 2-95, 2-97
Ftg-Hyd E90 Jm10/Jf10, 2-69
Ftg-Hyd E90 Jm10/Om12, 2-69
Ftg-Hyd E90 Jm12/Om12, 2-97
Ftg-Hyd E90 Jm16/Om12, 2-55
Ftg-Hyd E90 Jm16/Om16, 2-51
Ftg-Hyd E90 Pm06/Jm06, 2-39
Ftg-Hyd E90 Pm08/Jm06, 2-39
Ftg-Hyd Plg Jm08, 2-77
Ftg-Hyd Plg Om10, 2-17
Ftg-Hyd Plg Om12, 2-63
Ftg-Hyd Rst Jm04/.036, 2-105
Ftg-Hyd Rst Jm04/.047, 2-23
Ftg-Hyd Str Jm04/Jf06, 2-17, 2-77
Ftg-Hyd Str Jm04/Jf08, 2-17
Ftg-Hyd Str Jm04/Om04, 2-23, 2-33, 2-59, 2-79, 2-87, 2-91, 2-95
Ftg-Hyd Str Jm04/Om06, 2-63, 2-115
Ftg-Hyd Str Jm04/Om08, 2-53
Ftg-Hyd Str Jm06/Om04, 2-17, 2-69
Ftg-Hyd Str Jm06/Om06, 2-77, 2-97, 2-115
Ftg-Hyd Str Jm06/Om08, 2-17, 2-53, 2-77
Ftg-Hyd Str Jm08/Jf12, 2-55, 2-69
Ftg-Hyd Str Jm08/Om06, 2-69
Ftg-Hyd Str Jm08/Om08, 2-33, 2-63, 2-87, 2-97
Ftg-Hyd Str Jm08/Om10, 2-17, 2-83, 2-113
Ftg-Hyd Str Jm10/Om12, 2-59, 2-69
Ftg-Hyd Str Jm16/Om12, 2-55
Ftg-Hyd Str Jm16/Om16, 2-53
Ftg-Hyd Str Pm02/Pf04, 2-49
Ftg-Hyd Str Pm02/Pm02, 2-49
Ftg-Hyd Str See60054 Jm12/Jf16, 2-55
Ftg-Hyd Str, 2-77
Ftg-Hyd Tee Jm04Jfjm, 2-93
Ftg-Hyd Tee Jm04Jmjf, 2-23, 2-63
Ftg-Hyd Tee Jm04Jmom, 2-17, 2-23, 2-33, 2-97
Ftg-Hyd Tee Jm04Omjm, 2-53, 2-113
Ftg-Hyd Tee Jm06Jmjf, 2-17
Ftg-Hyd Tee Jm06Omjm, 2-77
Ftg-Hyd Tee Jm08Jfjm, 2-69
Ftg-Hyd Tee Jm08Jmjf, 2-17
Ftg-Hyd Tee Jm12Jfjm, 2-69
Ftg-Plug Npt 02Pm Hx Hd Plasti, 2-107
Ftg-Plug Npt 02Pm Sq Hd, 2-49
Ftg-Plug Npt 12Pm Rd Hd Plstc., 2-109, 2-111
Ftg-Str Npt/Npt 06Pf-08Pm, 2-39
Fuel Pump Cover, 5-25
Fuelline, 2-49
Fuse, 40 Amp, 2-121

G

Gas Cap, Protectoseal, 3-24
Gasket Cap, 2-109, 2-111
Gasket Lid, 2-109, 2-111
Gasket. Brg. Case Cov., 5-11
Gasket, 2.7D 1.5B.12T 5/ 2.1Bc, 2-49
Gasket, Brg. Case, 5-11
Gasket, Check Valve, 4-25
Gasket, Cylinder Head, 5-5
Gasket, Deliv. Valve, 5-21
Gasket, Drain Cap, 2-111
Gasket, Ex-manifold, 5-32
Gasket, Fuel Pump, 5-25
Gasket, H/Meter Unit, 5-7
Gasket, Head Cover, 5-8
Gasket, In-manifold, 5-33
Gasket, Lid, 2-109, 2-111, 3-7, 4-25
Gasket, Muffler, 5-32
Gasket, Oil Pan, 5-4
Gasket, Oil Pump, 5-3
Gasket, Pump Cover, 5-18
Gasket, Squeegee, 2-105
Gasket, Valve Gr, 2-109
Gasket, Water Flange, 5-29
Gasket, Water Pump, 5-30
Gasket, 2-109, 2-111, 5-3, 5-4, 5-7, 5-8, 5-17, 5-18, 5-21, 5-23, 5-24, 5-29
Gauge, Oil, 5-10
Gear Motor Assy, 4-27
Gear, Camshaft, 5-13
Gear, Crankshaft, 5-15
Gear, Injection Pump, 5-17
Gear, Oil Pump Drive, 5-3
Gear, Ring, 5-16
Geroler, 4-3
Geroter & Coupler, 4-15, 4-17
Gerotor Assy Cl, 4-6
Gerotor S/A Cl, 4-11
Gerotor Set, 4-4, 4-9
Grommet Rbr 0.25Id For .09Matl, 2-117
Grommet, Detergent Tank, 3-7
Grommet, Rbr, 0.69 ID, 3-10, 3-11, 3-12, 3-13

Grommet, Rbr,0.62Id,For .06Matl, 2-37
Grommet, Rbr,1.06Id,For .19Matl, 2-27
Grommet,Rbr,0.56Id,For .13Matl, 3-12, 3-13
Grommet,Rbr,0.63Id,For .13Matl, 3-10, 3-11
Grommet,Rbr,0.69Id,For.25Matl, 3-15
Grommet,Rbr,1.00Id,For .12Matl, 2-51
Guard Kit, Ohg, 3-16
Guard Kit, Overhead, 87 Height, 3-17
Guard Wldt, Lights, Revl&Flsh, 3-12, 3-13
Guard Wldt, Oh, Top, 3-16, 3-17
Guard, Brush, 2-83
Guard, Scrub, Edge, 2-95
Guard, String, Brush Motor, 2-83
Guide. Inlet Valve, 5-5
Guide, Exhaust Valve, 5-5
Guide, Side Squeegee, 2-99, 2-101

H

Handle Lift Brush, 2-115
Handle, Arm, Safety, 2-23
Handle, Latch, 2-15
Handle, Valve, 2-107
Harness, Alarm, Backup, 3-15
Harness, Hopper, 2-129
Harness, Main, 2-129
Harness, Revolv Light, Cab,Ohg, 3-10, 3-11
Harness, Turn Signal, 3-9
Harness, Wire, Hazard, 3-12, 3-13
Headlight Assy,210G, 3-15
Headlight, 12V.Rect., 2-27
Hinge Wldt, 2-21
Hinge, Coverhopper, 2-27
Hinge, Door, Brush, 2-9, 2-11
Hinge, Door, Engine, 2-17
Hinge, Rework, 2-15
Holder, Deliv. Valve, 5-21
Holder, Fork Lever, 5-22
Hook, Engine, 5-5
Hopper Wldt, 2-25
Horn, 12V, 2-27
Horn, Back-Up Alarm, 3-15
Hose & Cuff Assy, 3-26, 3-27

Hose Assy, Drain, 2-109, 2-111
Hose Hyd Med04, 2-73, 2-75
Hose Radiator, 1.50 Idx 3.0 Lg, 2-55
Hose Rubber .188I.D X 4.0 Lg, 2-49
Hose, Air Intake, Molded, Die, 2-45
Hose, Air Intake, Molded, 2-45
Hose, Fuelline .31Id X 6.0Lg, 2-49
Hose, Fuelline, 10.0L, 2-49
Hose, Hyd Low08, 2-73
Hose, Hyd Med08, 2-75
Hose, Pump, 3-5
Hose, Pvc .50Idx.73Od 12.5Lg, 2-107
Hose, Pvc .50Idx.73Od 18.0Lg, 2-107
Hose, Pvc .50Idx.73Od 23.0Lg, 2-107
Hose, Radiator 1.50Id X 6.0Lg, 2-55
Hose, Vacuum,.16Id X 28.0Lg, 2-37
Hose, Vacuum, 2-15, 2-113, 3-25
Hose, Vinyl Clr, .62Idx 18.0Lg, 3-3
Hose, Vinyl Clr, .75Idx 30.0Lg, 3-7
Hose, Vinyl Clr, .75Idx 65.0Lg, 3-3
Hose, Vinyl, Cl Nyre .38Idx21L, 3-7
Hose, Vinyl, Cl Nyre .38Idx28L, 3-7
Hose, Vinyl, Clear, 3-7
Hose, Vinyl, Clr, .75Idx 50.Lg, 2-107
Hose, Vinyl, Clear, 2-107
Hose, Vinyl, Clr, .75Idx 19.Lg, 3-7
Hose-Hyd Ar 10, 2-73
Hose-Hyd Hi 12 Jf/J9, 2-75
Hose-Hyd Low04 Jf/J9, 2-73, 2-75
Hose-Hyd Low04 Jf/Jf, 2-75
Hose-Hyd Low06 Jf/Jf, 2-73
Hose-Hyd Low06 See60104 Jf/J4, 2-39
Hose-Hyd Low06 See60105 Jf/J9, 2-39
Hose-Hyd Low06, 2-73, 2-75
Hose-Hyd Low08 Jf/J9, 2-73
Hose-Hyd Low08 Jf/Jf, 2-73
Hose-Hyd Med 04 Jf/J9, 2-73, 2-75
Hose-Hyd Med 06 , 2-75
Hose-Hyd Med04 Jf/J4, 2-73, 2-75
Hose-Hyd Med04 Jf/J9, 2-73, 2-75
Hose-Hyd Med04 Jf/Jf, 2-73, 2-75
Hose-Hyd Med04, 2-73, 2-75
Hose-Hyd Med06 Jf/J9, 2-73, 2-75
Hose-Hyd Med06 Jf/Jf, 2-73
Hose-Hyd Med06, 2-73
Hose-Hyd Med08 Jf/J4, 2-73, 2-75
Hose-Hyd Med08 Jf/J9, 2-73, 2-75
Hose-Hyd Med08 Jf/Jf, 2-75
Hose-Hyd Med08, 2-75
Hose-Hyd Med12 Jf/J9, 2-73
Hose-Hyd Med16 Jf/J9, 2-75
Hose-Hyd Med16 Jf/Jf, 2-73
Hose-Hyd Med16, 2-73
Hose-Hyd Suc20, 2-73
Hose-Hyd, 2-73
Hourmeter Replmt Kit, 2-117
Housing Assy Ce, 4-13
Housing Assy, Pump, 4-15, 4-17
Housing Cl, 4-6, 4-9
Housing Support, Wheel, 2-59
Housing Wldt, Rear, 2-113
Housing, Assy Cl, 4-3
Housing, Brg Cl, 4-3
Housing, Flywheel, Machined, 2-39
Housing, Flywheel, 5-16
Housing, Headlight, 2-27
Housing, Vac Fan W/Label, 2-113
Housing, Vac Fan, 2-35
Housing, 4-4
Hub & Stud, 2-59
Hub Assy, Brush Arm, 2-87
Hub, Brush Adaptor, 1.00B, 2-83
Hub, Brush Drive, 2-91, 2-93, 2-95
Hub, Pivot, 2-31
Hub, 2-67
Hyd Cap Gasket, 2-77

I

Impeller 9.5 Dia. 18 Blade Mac, 2-113
Impeller, 9.00 Dia X 0.376B, 2-35
Impeller, Water Pump, 5-30
Indicator Service Air Filter, 2-45
Insulation, Acoustic, Duct, Co, 2-25
Insulation, Acoustic, Duct, Lh, 2-25
Insulation, Acoustic, Duct,Bot, 2-25
Insulation, Acoustic, Hopper,, 2-25
Insulation, Acoustic, 2-13, 2-15, 2-19
Insulation, S/Foam, Bumper, 2-35
Insulation, S/Foam, Vac Duct, 2-35
Insulation,Acoustic, Duct, Rh, 2-25
Insulation,Acoustic,Hopper,Upp, 2-25
Isolator, Mounting, 2-39
Isolator, Rubber .25X1.50X6.00, 2-7
Isolator, Valve, 2-53
Isolator-Vibration,125Lb.Ratng, 2-19, 2-33, 2-35,
2-47, 2-51, 2-53, 2-63, 2-79, 2-97, 2-113
Isolator, 2-17

J

Joint, Breather Pipe, 5-8
Joint, Drain Cock, 5-3
Joint, Pipe, 5-7
Joint, 5-19

K

Key Set,Switch, 2-117
Key Square 0.12 0.12 00.50 Lg, 4-5
Key Square 0.12 0.12 01.00 Lg, 4-7
Key, Feather, 5-3, 5-13, 5-15, 5-17, 5-23, 5-26
Key-Wdruff 0.25 1.00 Asa#0808, 4-6, 4-9
Key, 4-3, 4-8, 4-15, 4-17
Knob, Adjuster, 2-103
Knob, Adjusting, 2-81, 2-85
Knob, Jam, 2-103
Knob, Plastic, 2-53
Knob, 2-41, 2-107

L

Label Set, Info & HZD 8400, 2-131
Label Set, Operational 8400, 2-131
Label, Numerals 8400, 2-131
Label, Overlay, Touch Panel, 2-117
Label, Tennant Logo- 10.0 Blue, 2-27
Lamp, Replmt Kit (8), 2-117
Latch, Bolt, 2-9, 2-11, 2-15
Latch, Draw, Flexible, 3-35
Latch, Elastic, 3-35
Latch, Hook, Lh, 2-9
Latch, Single Stage, 2-15
Latch, Trigger, 2-17, 2-21
Latch, 2-11, 2-15, 2-87
Lens,Flashing Lite Fr207 Amber, 3-10, 3-12
Lens,Flashing Lite Fr207 Blue, 3-10, 3-12
Lens,Flashing Lite Fr207 Red, 3-10, 3-12
Lens,Rev.Light,Amber, 3-11, 3-13
Lens,Rev.Light,Blue, 3-11, 3-13
Lens,Rev.Light,Red, 3-11, 3-13
Level Sensing Assy, 2-111, 3-3
Lever, Edge Scrubbing, 2-89
Lever, Engine Stop, 5-18
Lever, Fork, 5-22
Lever, Speed Control, 5-23
Lever, Throttle, Diesel, 2-41
Lever, Valve, 2-107
Light Assy Mark/Yel 12V- . A, 3-9
Light Assy Work/Clr 12V- . A, 3-14
Light Kit Flsh Lrc, 3-12
Light Kit Flsh Ohg, 3-10
Light Kit Revl Lrc, 3-13
Light Kit Revl Ohg, 3-11
Light Kit Signal, 3-9
Light Kit, Side Brush, 3-14
Light, Flashing, Amber, 12V-Re, 3-10, 3-12
Light,Rev.Amber 12V-Reworked, 3-11, 3-13
Link Wldt, Edge Scrubbing, 2-89
Link Wldt, Upper, 2-91, 2-93, 2-95
Link, Lower, 2-91, 2-93, 2-95
Link, Throttle, 2-41

M

Maint. Kit, Seals 355 Line, 2-3
 Maint. Kit, Skirts, 355 Line, 2-3
 Manifold, Exhaust, 5-32
 Manifold, Hyd Collector, 2-53, 2-63
 Manifold, Inlet, 5-33
 Manifold, Plastic, 2-107
 Manual Pkg 8400D, 3-37
 Manual-Fiche Pkg 8400D, 3-37
 Metal, Crankpin, 5-15
 Metal, Crankshaft, 5-15
 Metal, Side, 5-15
 Molding, Trim 11-14Ga 6.75, 2-51
 Molding, Trim 11-14Ga 8.50, 2-21
 Motor 12V Dc, 4-25
 Motor, Hyd Gear Ex 0.13 L 3000, 4-7
 Motor, Hyd Gear Ex 0.13L 3000 (See Breakdowns), 2-113
 Motor, Hyd Gear Ex 0.26 R 3000 (See Breakdowns), 2-53
 Motor, Hyd Gear Ex 0.26 R 3000, 4-5
 Motor, Hyd Gear In 02.8 B 1500 (See Breakdowns), 2-87
 Motor, Hyd Gear In 02.8 B 1500, 4-9
 Motor, Hyd Gear In 07.3 B 1500 (See Breakdowns), 2-91, 2-93, 2-95
 Motor, Hyd Gear in 07.3 B 1500, 4-6
 Motor, Hyd Gear In 19.0 (See Breakdowns), 2-59
 Motor, Hyd Gear In 19.0, 4-3
 Motor, Hydraulic, 4-4, 4-8
 Motor, Elec Shaker 12V, 2-29
 Motor-Hyd Gear Ex .194 R3000 (See Breakdowns), 2-35
 Motor-Hyd Gear In 11.3 B1500 (See Breakdowns), 2-83
 Muffler, Exhaust, 2-47
 Muffler, Spark Arresting, 3-23

N

Nozzle, Plastic Wand 14.OLG, 3-25
 Nut Wheel .50-20 60 Angle, 2-59
 Nut, Cap, 5-8, 5-18, 5-23
 Nut, Cart., Lng Cp, 4-19
 Nut, Cart., Sht Cp, 4-19, 4-21, 4-23

Nut, Crankshaft, 5-15
 Nut, Flange, 5-3
 Nut, Retainer R/.312 Dia, 2-23
 Nut,Wing .44-20 Special, 2-45
 Nut-Hex Slot 1.12-18, 2-59
 Nut-Hx Jam 1.00-14 Pltd, 3-3
 Nut-Hxlocnyln .50-13 RegSS18-8, 2-103
 Nut-Hxslot .75-16 Pltd, 4-9
 Nut-Hxslot 1.00-20 Pltd, 2-61
 Nut-Wing .31-18 Pltd, 2-57
 Nut, 2-115, 4-3, 5-5, 5-7, 5-18, 5-19, 5-23, 5-27, 5-29, 5-30, 5-31, 5-32

O

O -Ring, 5-15
 O Ring, 5-3, 5-7, 5-8, 5-21, 5-23
 O-Ring Gland, 2-69
 O-Ring, Oil Filter, 2-39
 O-Ring, 5-4
 Oil Cartridge, 2-39
 Oil Shield, Breather, 5-8
 Oil, Hydr. 15/40, 2-3
 Output Shaft, 4-4

P

Packing, Gear Case, 5-7
 Pad Holder, Malish, 2-5
 Pad, Hyd Tank, Lower, 2-77
 Pad, Hyd Tank, Upper, 2-77
 Pad, Tread, 2-7, 2-65
 Pad, 2-63, 2-85
 Panel Assy, Inst, W/Label, 2-19
 Panel Wldt. Grill, 2-51
 Panel Wldt, Grill, 2-51
 Panel Wldt, Instr., 2-19
 Panel Wldt, Lh, 2-21
 Panel Wldt, Rh, 2-21
 Panel Wldt, Sppt, Seat, 2-13
 Panel, Instr, Lower, 2-19
 Panel, Instr, 2-117
 Panel, MTG, Hose, 3-25
 Panel, Perma-Filter, 2-25

CROSS REFERENCE

Pedal Brake Lock, 2-63
Pedal Wldt, Lower, 2-65
Pedal, Upper, 2-65
Performance Pkg 400Hr Die 8400, 2-3
Pin Assy, Keeper .312x3.0 W/Lanyard, 2-83
Pin Cl, 4-11
Pin Clevis .375 Dia X 1.13 Lg, 2-61
Pin Clevis 0.37 Dia X 0.75 Lg, 2-99, 2-101
Pin Clevis 0.50 Dia X 1.50 Lg, 2-65
Pin Clevis 0.50 Dia.X 1.50 Lg, 2-85
Pin Wldt, 2-105
Pin. Start, 5-7
Pin, Clevis .31 Dia X 4.50 Lg, 2-65
Pin, Clevis .375 Dia X 1.13 Lg, 2-105
Pin, Clevis .50 Dia X 2.25 Lg, 2-31
Pin, Clevis .50 Dia X 4.50 Lg, 2-65
Pin, Clevis .75 DiaX5.5Lg, 2-83
Pin, Clevis, .19 DiaX.50 Lg, 2-41
Pin, Clevis, Grooved, 2-23
Pin, Clevis, Upper, 2-23
Pin, Clevis, 2-105
Pin, Cotter, 2-85
Pin, Dowel, 4-15, 4-17
Pin, Hair Cotter #Lhcot-2,Leitk, 2-13
Pin, Hair Cotter 13D 3 Wire, 2-65
Pin, Hair Cotter, 2-99, 2-101
Pin, Haircotter, 2-83
Pin, Hitch, 2-105
Pin, Lift Arm, 2-23
Pin, Pipe, 5-3
Pin, Piston, 5-15
Pin, Roll Ce, 4-13
Pin, Scrub Brush, .625D 5.00L, 2-91, 2-93, 2-95
Pin, Scrub Head, .75D X 6.812L, 2-89
Pin, Spring, 10.5MM x 26MM, 2-39
Pin, Spring, 5-18
Pin, Straight, 5-3, 5-7
Pin, Support, Wheel, Rear, 2-59
Pin, Tappet Guide, 5-21
Pin,Clevis, .19 Dia.X .50 Lg, 2-63
Pin,Clevis, .50 DiaX 1.25 Lg, 2-31
Pin,Clevis,0.25 Dia.X 0.75 Lg, 2-89
Pin,Clevis,0.31 Dia X 1.00 Lg, 2-99, 2-101
Pin,Clevis,0.37 Dia.X 1.00 Lg, 2-61
Pin,Clevis,0.37 Dia.X 1.50 Lg, 2-81, 2-99
Pin,Clevis,0.37 Dia.X 2.25 Lg, 2-105
Pin,Clevis,0.37 Dia.X 3.00 Lg, 2-65
Pin,Clevis,0.37 Dia.X 6.12 Lg, 2-91, 2-93, 2-95
Pin,Clevis,0.50 Dia.X 1.50 Lg, 2-89
Pin,Clevis,0.50 Dia.X 1.75 Lg, 2-85
Pin,Clevis,0.50 Dia.X 2.00 Lg, 2-31
Pin,Clevis,0.50 Dia.X 2.50 Lg, 2-95
Pin,Clevis,0.50 Dia.X 5.00 Lg, 2-83, 2-99, 2-101, 3-31, 3-33
Pin,Clevis,0.50 Dia.X 5.50 Lg, 2-83, 3-33
Pin,Hair Cotter #Lhcot-2,Leitk, 3-31
Pin,Roll,.18Odx1.25L,.187/.192, 2-31
Pin,Roll,.25Odx0.75L,.250/.256, 2-99, 2-101
Pin,Roll,.38Odx2.00L,.375/.382, 2-31, 2-87
Pipe, Breather, 5-8
Pipe, Exhaust, Die, 2-47
Pipe, Injection, 5-24
Pipe, Water Return, 5-29
Piston, Control Ce, 4-13
Piston, 5-15
Pivot Assy, S Br, 2-83
Pivot Wldt, Lh, 2-103
Pivot Wldt, Rh, 2-103
Pivot Wldt, Squeegee Caster, 2-103
Pivot Wldt, 2-103
Plate - Hose Support, 2-59
Plate Bent, 3-3
Plate Seal, 2-87
Plate Wldt., Floor, 2-13
Plate Wldt, Floor, 2-13
Plate Wldt, Hinge, 2-13
Plate Wldt, 2-63
Plate, Adjusting, 5-21
Plate, Backing, 2-27
Plate, Backup, 3-3
Plate, Circuit Breaker, 2-121
Plate, Cover, 4-15, 4-17
Plate, Element, 5-8
Plate, Light Mtg., 3-10, 3-11
Plate, Mounting, Latch, 2-87

Plate, Mounting, Shaker Filter, 2-29
 Plate, Mounting, Valve, 2-97
 Plate, Mtg, Lift Arm, 2-25
 Plate, Mtg, Main Brush Shaft, 2-87
 Plate, Mtg, Steering Boot, 2-115
 Plate, Pin, Clevis, Upper, 2-23
 Plate, Reainer, Front, Sbdc, 3-31
 Plate, Relay, 2-121
 Plate, Retainer, Cover, Sbdc, 3-31
 Plate, Retainer, Front, Lh Sbdc, 3-31
 Plate, Retainer, Front, 2-3, 2-25
 Plate, Retainer, Sbdc, Rh, 3-31
 Plate, Retainer, Wheel Pocket, 3-31
 Plate, Retainer, 2-3, 2-25
 Plate, Spacer, Engine Cover, 2-15
 Plate, Spacer, 2-39, 2-49
 Plate, Speed Control, 5-23
 Plate, Stiffener, Tray, Filter, 2-29
 Plate, Valve, 4-3, 4-15, 4-17
 Plate, Wear Cl, 4-11
 Plate, 2-19, 2-29, 5-21
 Plug #2, 4-19, 4-21, 4-23, 4-26
 Plug #4, 4-19, 4-21, 4-23
 Plug #6, 4-19, 4-21, 4-23
 Plug #8, 4-23
 Plug Assembly Cl, 4-3
 Plug Assembly Ph, 4-3, 4-6, 4-9
 Plug Assy Cl, 4-11
 Plug Gage #6, 4-26
 Plug S/A, 4-15, 4-17
 Plug Thread 1/2-13, 2-87
 Plug Tube, 2-87
 Plug Weld, Brush Drive, Sweep, 2-87
 Plug Wldt, Idler, 2-87
 Plug, Blind, 5-3
 Plug, Buttom, 2-53
 Plug, Cap, Check Valve, 2-109
 Plug, Drain, 5-4
 Plug, Float, 2-111, 3-3
 Plug, Glow, 5-24
 Plug, Oil Filler, 5-8
 Plug, Oil Filter, 2-39
 Plug, Orifice Cp, 4-21
 Plug, Orifice Cp, 4-19, 4-23
 Plug, 2-111, 5-3, 5-5, 5-7, 5-28, 5-29
 Plugbtn .62H .03-.12 Blacknyl, 2-121
 Plunger, Pump, 5-21
 Pos Sol Control Drain Sys Kits, 3-26
 Pos Sol Ctrl Drain Sys Kit Es, 3-27
 Pulley Assy, Cable, 1.5 Dia, 2-61, 2-81, 2-85
 Pulley, Fan Drive (P.T.O.), 5-26
 Pully, Fan, 5-30
 Pump Adaptor Assy, 4-15, 4-17
 Pump Body Kit, 4-25
 Pump, Column, Es, 3-5, 4-25
 Pump, Detergent Metering, 3-7, 4-27
 Pump, Fuel, Ele, 2-49
 Pump, Hyd Piston L 2.77 R 2500 (See Breakdowns), 2-69
 Pump, Hyd Piston L 2.77 R 2500, 4-13
 Pump, Hyd Piston V 1.24 R 4000 (See Breakdowns), 2-69
 Pump, Hyd Piston V 1.24 R 4000, 4-17
 Pump, Hyd Piston V 1.24, 4-15
 Push Rod, 5-13

R

Race Thrust, 4-6, 4-9
 Race, Bearing Ce, 4-13
 Race, Bearing Cl, 4-11
 Race, Bearing, 4-15, 4-17
 Race, Inner Bearing, 4-15, 4-17
 Race, Thrust, 4-4
 Rack, Control, 5-21
 Radiator, 4 Row, 6 Fin, 2-51
 Rectifier, 2-43
 Regulator, 2-43
 Relay, Shrouded, 12 Vdc, 2-33, 2-121
 Relief Valve, 4-15, 4-17
 Repair Info Cl, 4-11
 Repair Info. , 4-4, 4-5, 4-7, 4-8
 Repair Info. Ce, 4-13
 Repair Info. Cl, 4-3, 4-6, 4-9
 Repair Info, Pmp CE, 4-15, 4-17
 Repl. Kit, Cam, 2-65

CROSS REFERENCE

Replacement Kit Instrument Panel, 2-19
Replacement Kit, Gas Spring, 2-89
Replacement Kit, Propel Cabel, 2-67
Replacement Kit, Propel Rod End, 2-67
Replacement Kit, Pump for 73102 (See Breakdowns), 2-69
Replacement Kit, Spacer & Plt., 2-53
Replacement Kit, Spcr & PH, 2-63
Replm Kit, Backup Switch, 3-15
Replm Kit, Case, 2-119
Replm Kit, Cir Board , 2-119
Replm Kit, Cir Board, 2-117
Replm Kit, Instr Panel, 2-117, 2-119
Replm Kit, Lamp (5), 2-119
Replm Kit, Seal, 2-119
Replm Kit, Touch Panel , 2-119
Replm Kit, Touch Panel, 2-117
Reservoir, Hyd 08.0 Gal, 2-77
Retainer, Frt Cl, 4-3
Retainer, Gasket, 4-25
Retainer, Squeegee, 2-99, 2-101
Retainer, Valve Sp., 5-31
Retainer, 2-15, 2-105
Return Spring-Brakes KN, 2-61
Ring Coupling Mounting, 2-39
Ring Retain E, 2-109
Ring Retain Ex, 0.75D, 2-111
Ring, Retain, Ex .98, E-Ring, 2-63
Ring, Retain, Ex, 0.59OD, Basic, 2-103
Ring, Retain, Ex0.50Od,Heavydt, 2-115
Ring, Retaining Cl, 4-11
Ring, Retaining, Ext, .88 Dia, 2-23
Ring, Retaining, Intl 2.00Dia, 2-23
Ring,Retain,Ex,0.37Od,Selflock, 2-105
Ring,Retain,Ex,0.50Od,Selflock, 2-31, 2-89
Ring,Retain,Ex,0.98Od,E-Ring, 2-103
Ring, 4-3
Rivet Pop-.125Dx.32X.25Dhd St, 2-113
Rivet, Plastic .181Dx.720, 2-27
Rivet, Plastic .250Dx.898, 2-121
Rivet, Plastic .250X.898, 2-7, 2-9, 2-11, 2-25
Rivet, Plastic .250x.898, 3-29
Rivet, Plastic .325Dx.787, 2-19, 2-27, 2-121
Rivet, Snap-.320D Plastic, 2-63
Rod End .250-28, 2-67
Rod End .312-24 W/Stud, 2-101
Rod End M10 X1.5 W/Stud, 2-91, 2-95
Rod Wldt, Pivot, 2-25
Rod, Brake, 2-61
Rod, Hinge, 2-13
Rod, Latch, Engine Cover, 2-15
Rod, Latch, Steering, Tilt, 2-115
Rod, Plastic, 2-15
Rod, Seat, 2-13, 2-21
Rod, Threaded, Brush Lift, 2-85
Rod, Tie, Squeegee, 2-101
Rod, Valve, 2-107
Rod-Thrd, Full .25-28, 2-41
Rod, 2-31
Roller Thimble, 2-105
Roller 1.75, 2-95, 3-33
Roller Bearing, 4-15, 4-17
Roller,Side Squeegee, 2-99
Roller, 2-105, 3-33
Rollpin, 4-13
Rotating Kit Ce, 4-13
Rotating Kit, 4-15, 4-17

S

Scr Soc .50-13X1.50, 2-59
Scr-Butn M8X1.25 16 Ss18-8, 2-99, 2-101
Scr-Set 10-24X0.25 Nylon Loc, 2-29
Scr-Shld .312Dx1.00L .25-20, 2-67
Scr-Shld .500Dx0.50L .38-16, 2-107
Scr-Shld .50Odx0.75L .38-16, 2-99
Scr-Soc M16X2.0 50 12.9Pltd, 2-59
Screen, Detergent Tank Kit, 3-7
Screen, Pump, Detergent, 3-7
Screen, Sol, Dbl Cylindrical, 3-5
Screen, Vac Fan Inlet, 2-111
Screw Cap Cp, 4-23
Screw Cap Cl, 4-6
Screw Cap CP, 4-21
Screw Set M 6X1.020, 2-41, 2-107
Screw. Set, 5-13

Screw, .31-18X3.75, 4-15, 4-17
 Screw, Adjusting, 5-31
 Screw, Cap Ce, 4-13
 Screw, Cap Cl, 4-3, 4-11
 Screw, Cap, 4-4, 4-15, 4-17
 Screw, Follow, 5-21
 Screw, Set, 5-31
 Screw, With Washer, 5-8, 5-24
 Screw, 4-4
 Screws, 4-15, 4-17
 Seal Kit, 4-4
 Seal Kit, Cart Cp, 4-21, 4-23
 Seal Kit, Cart Cp, 4-23
 Seal Kit, Cart Cp, 4-19, 4-21
 Seal Kit, Coil Cp, 4-21, 4-23
 Seal Kit, Coil Cp, 4-19, 4-21
 Seal Kit, Hyd Mtr Gear Bn, 4-5, 4-7
 Seal Kit, Motor, 4-8
 Seal Kit, One Cartridge, 4-8
 Seal Kit, Pump Ce, 4-13
 Seal Kit, Pump, 4-15, 4-17
 Seal Kit, Rear, 4-3
 Seal Kit, Shaft Cl, 4-3
 Seal Kit, Stg Cl, 4-11
 Seal Replmt Kit, 4-6, 4-9
 Seal, Bearing, 2-115
 Seal, Boot, Steering Column, 2-115
 Seal, Bulb 140.0 Lg, 2-29
 Seal, Bulb, Sd-0355 50.00Lg, 2-27
 Seal, Bulb, Sd-0504 26.00 Lg, 2-21
 Seal, Bulb, Sd-0504 28.00 Lg, 2-17, 2-21
 Seal, Bulb, Sd-0504 40.50 Lg, 2-13
 Seal, Door, Brush, 2-9, 2-11
 Seal, Door, Dump, Side, 2-3, 2-25
 Seal, Door, Dump, 2-3, 2-25
 Seal, Door, Hopper, 2-25
 Seal, Duct, 2-51
 Seal, Fan, Vac, Inlet, 2-35
 Seal, Fan, Vac, Motor, 2-35
 Seal, Fan, Vac, Outlet, 2-35
 Seal, Foam Rubber, 2-9, 2-11, 2-25
 Seal, Foam, Door, 3-29
 Seal, Foam, 2-15
 Seal, Heat, 5-24
 Seal, Hose, 2-109, 2-111
 Seal, Lip, 2-21
 Seal, Oil, 5-11, 5-15, 5-18
 Seal, Replmt Kit, 2-117
 Seal, Seat, Front, 2-13
 Seal, Seat, Inner, 2-13
 Seal, Seat, Side, 2-13
 Seal, Tube, Silicone, 2-15
 Seal, Valve Stem, 5-31
 Seal, Foam Rbr, .31 .38W 19.5L, 2-53
 Seat Belt , 3-20
 Seat Belt Kit 8400, 3-20
 Seat Kit, Grammer 8400, 3-18
 Seat, Grammer, 3-18
 Seat, Michigan, 2-13
 Seat, Spring Lower, 5-21
 Seat, Spring Upper, 5-21
 Seat, Valve, 5-7
 Send Unit, Temperature, 2-39
 Sending Unit Tc, 2-49
 Service Manual F/V2203B-3 KU, 3-37
 Service Manual Pkg 8400, 3-37
 Shaft Idler, 2-87
 Shaft Wldt, Brake, 2-63
 Shaft Wldt, Main Brush, 2-87
 Shaft, Assy Cl, 4-3
 Shaft, Drive Ce, 4-13
 Shaft, Drive, 4-15, 4-17
 Shaft, Fork Lever, 5-22
 Shaft, Idle Gear, 5-13
 Shaft, Lever, 5-18
 Shaft, Output, 4-6, 4-9
 Shaft, Pump, 4-25
 Shield, Exhaust, 2-113
 Shim .020Th 0.88Odx0.506ld, 2-113
 Shim .060Th 0.880Dxo.506ld, 2-113
 Shim, Injection Pump, 5-19
 Shim, Spacer, 2-111
 Shim, 5-19, 5-21
 Shock Absorber, 2-67

CROSS REFERENCE

Shoe, Plastic-Squeegee 14IN, 3-25
Side Squeegee Se Kit, 3-33
Signal Turn, 3-9
Skirt, Brush Door, Inner, 3-29
Skirt, Brush Door, Outer, 3-29
Skirt, Brushdoor, 2-9, 2-11
Skirt, Bumperstop, 2-27
Skirt, Center, 2-13
Skirt, Cover, Sbdc, 3-31
Skirt, Deflection, Vac Kit, 3-29
Skirt, Deflection, 2-9, 2-11
Skirt, Front, Sbdc, 3-31
Skirt, Hopper, Top, 3-29
Skirt, Lip, 2-3, 2-25
Skirt, Lower, 2-51
Skirt, Sbdc, Rh, 3-31
Skirt, Seal Main Brush, 2-7
Skirt, Side, Sbdc,, 2-3, 2-25
Skirt, Wheel Pocket, Sbdc, 3-31
Skirt,Hoppertop, 2-7
Sleeve, .250B .49D .14 Stl Znc, 2-15
Sleeve, .370B .50D .50 Butwcd, 2-51
Sleeve, .375B 1.00D .69 Cd,Znc, 2-43
Sleeve, .414B .74D .92 Stl, 2-103
Sleeve, .515B .62D .28 Cr., 2-107
Sleeve, .562B .88D .50 Zinc, 2-33
Sleeve, Control, 5-21
Sleeve, Crankshaft, 5-15
Sleeve, Governor, 5-17
Sleeve, Nyl, 2-59
Sleeve, Roller, 2-105
Sleeve,1.12B 1.38D1.00 Rubber, 2-29
Sleeve,1.12B 1.62D1.50 Rubber, 2-29
Sleeve-Nyln #38 25.0L, 2-87
Sleeve, 2-43, 2-87, 3-16, 3-17
Slinger, Oil, 5-15
Spacer , 4-17
Spacer Cl, 4-11
Spacer Hub, 2-91, 2-93, 2-95
Spacer Pad Holder, 2-5
Spacer Plate Cl, 4-6, 4-9
Spacer Plate, 4-4
Spacer, .259ID .375OD .250 Lg, 2-67
Spacer, Pulley, 2-61, 2-81, 2-85, 2-91, 2-93, 2-95
Spacer, 4-15
Spindle, Adjustment, 2-21
Spring Assy, Recirculation, 2-7
Spring Ce, 4-13
Spring Kit, Scu Cl, 4-11
Spring. Deliv. Valve, 5-21
Spring, Brush Retaining, 2-5
Spring, Conical Cp, 4-21, 4-23
Spring, Ext., 2-63
Spring, EXT, 3-25
Spring, Extension, 2-99, 2-101, 2-105
Spring, Gas, 74 Lbs, 2-15
Spring, Governor, 5-22
Spring, Parking Brake, 2-63
Spring, Plunger, 5-21
Spring, Propel, Centering, 2-67
Spring, Return, 5-18
Spring, Rocker Arm, 5-31
Spring, Start, 5-22
Spring, Tens.750Dx.10Wirex4.5, 2-81, 2-99
Spring, Tension, 2-25, 2-85, 2-91, 2-93, 2-95
Spring, Torsion, 2-63
Spring, Valve, 5-31
Spring,Shaker, 2-29
Spring-Gas 120Lb 7.1 Stroke, 2-27
Spring-Gas 34Lb 6.3 Stroke, 2-89
Spring, 2-63, 4-3, 4-15, 4-17, 4-26, 5-7
Sprng, Tens,0.50Odx.05Wire 1.0L, 2-15
Sprng,Comp,0.59Idx.05Wire 0.6L, 2-41
Sprng,Comp,0.62Idx.06Wire 2.3L, 2-115
Sprng,Comp,0.74Idx.11Wire 2.5L, 3-33
Sprng,Tens,0.37Odx.05Wire 4.5L, 2-41
Sprng,Tens,0.87Odx.13Wire 9.0L, 2-103
Sprng,Tens,1.12Odx.14Wire 4.8L, 2-83
Squeegee Caster Replacement Kit, 2-103
Squeegee Kit 8400, 3-22
Squeegee Wand Kit 8400, 3-25
Stay, Dynamo, 5-26
Steer Control, Hyd#2 06.1 1000 (See Breakdowns), 2-115
Steer Control, NYD#2 06.1 1000, 4-11

Steering Wheel Cap, 2-115
 Steering Wheel Insert, 2-115
 Stopper, Camshaft, 5-13
 Stopper, 5-17
 Strainer-Hyd Suction 25-100-03, 2-77
 Strap Cap Retainer, 2-109, 2-111
 Strap Weldmt, Gas Tank, 2-49
 Strap, Backing Hopper, 2-7
 Strap, Deflector, Lh (Not Shown), 3-29
 Strap, Deflector, Rh, 3-29
 Strap, Deflector, 2-9, 2-11
 Strap, Door, Dump, Side, 2-3, 2-25
 Strap, Door, Dump, 2-3, 2-25
 Strap, Main Lip, 2-3, 2-25
 Strap, Motor, Shaker, 2-29
 Strap, Rubber Tie-Down, 2-57
 Strap, 2-9, 2-11, 2-25, 3-29
 Strip Retainer Bearing, 2-87
 Strip, Mtg, Gusset, 2-27
 Strip, Mtg, Hinge, 2-27
 Strip, Retainer, Seal, 2-7
 Strip, Retainer, Skirt, 2-9, 2-11
 Strip, Retainer, 2-9, 2-11, 3-29
 Strip, Retaining, 2-105
 Stud, Ball, Gas Spring, 2-15, 2-27, 2-89
 Stud, Wheel .50-20X1.50 pLTD, 2-59
 Stud, 5-5, 5-7, 5-19, 5-23, 5-27, 5-29, 5-30, 5-31, 5-32
 Switch Assy, Roller-No, 3-15
 Switch Assy, 4-26
 Switch Ignition, 2-117
 Switch Micro 15 Amp Dpdt, 3-3
 Switch, 15Amp 125/250Vac, 2-111
 Switch, Hyd Flow Sensor (See Breakdowns), 2-69
 Switch, Hyd Flow Sensor, 4-26
 Switch, Pressure, Oil, 2-39
 Switch, Pressure, 2-37
 Switch, Pushmom, Spst100A 12V, 2-115
 Switch, Roller, 2-23, 2-41, 3-7, 3-9

T

Tab, Fuelline, 2-49
 Tail light Assy., 2-51
 Taillight Assy, 2-19, 2-51
 Tank, Detergent Rep.By 22795, 3-7
 Tank, Fuel 9.3Gal, 2-49
 Tank, Recovery W/Labels, 2-111
 Tank, Solution W/Label, 2-109
 Tape, Video, Operator, 8400, 3-37
 Tappet, 5-13
 Thermostat Assembly, 140 Deg, 2-29
 Threaded Rod, 2-109
 Thrust Bearing, 4-6, 4-9
 Tie, Cable 1.75D Max 7.50Lg, 3-10, 3-11
 Tie, Cable 1.75D 7.5Lg, 2-67
 Tie, Cable 1.75D Max 7.50Lg, 2-51, 3-9, 3-15
 Tire & Wheel Assy, 2-59
 Tire, 18X5X12.12 Solid, 2-61
 Tire, Solid, 18X6X12.125, 2-59
 Tower Wldt, Corner, Lh, 2-51
 Tower Wldt, Corner, Rh, 2-19
 Tray, Drip, 3-28
 Tray, Filter Carrier, 2-29
 Tray, Gas, 2-49
 Tread, Floor-Nonskid, 2-13
 Tube Wldt, Leg, Ohg, Lh, 3-17
 Tube Wldt, Leg, Ohg, Rh, 3-17
 Tube Wldt, 3-33
 Tube, Fuelline, Diesel, 2-49
 Tube, Leg, Ohg, Lh, 3-16
 Tube, Leg, Ohg, Rh, 3-16
 Tube, Leg, Ohg, 3-16, 3-17
 Tube, Radiator, Lower, Diesel, 2-55
 Tube, Radiator, Upper, Diesel, 2-55
 Tube, Retainer, Spring, 2-85
 Tube, Spacer, .41Dx.32Bx1.0I, 2-25
 Tube-Hyd 10, 2-69
 Tube, 2-91, 2-95
 Tubing Connctr.Kit, Pmp, 4-27
 Tubing, Vinyl, 4-25
 Turnbuckle, 2-103

V

V Belt, 5-26
V-Belt, A-42, 2-43
Vacuumized Skirt Kit, Main Bru, 3-29
Valve Assembly, Solenoid, 4-8
Valve Cl, 4-3
Valve Kit, Poppet, 4-27
Valve Stem 3W2P, 4-21, 4-23
Valve Stem 4W2P, 4-19, 4-21
Valve Stem N.C. Cp, 4-21
Valve Stem N.O. Cp, 4-19
Valve Stem, 4-19, 4-21, 4-23
Valve Water 3/4 Nptf, 2-107
Valve. Delivery, 5-21
Valve, Check Gr, 2-109
Valve, Check, 4-25
Valve, Dump, 4-15, 4-17
Valve, Exhaust, 5-31
Valve, Hyd Cntrl Sol (See Breakdowns), 2-33
Valve, Hyd Cntrl Sol, 4-19
Valve, Hyd Control Sol (See Breakdowns), 2-79, 2-97
Valve, Hyd Control Sol, 4-21, 4-23
Valve, Hyd Priority Ds16G1000, 2-17
Valve, Hyd Psi Reducer 400/600, 2-53
Valve, Inlet, 5-31
Valve, Solenoid, 12V Dc, 3-3
Valve, 4-3

W

Wand, Metal - 2PC, 3-25
Washer .400B 1.12D .12Cr Znc, 2-33
Washer .60 OB 1.13D .10 SS8-8, 2-103
Washer Brass, 2-39
Washer Flt .38 Hard, 2-67
Washer Flt .62 Hard, 2-103
Washer Flt .75 Hard, 2-89
Washer, .281B .62D .06Nylon, 2-41
Washer, .530B 1.50D .19Hr, 3-31
Washer, .531B 1.75D .12Cr.Znc, 2-87
Washer, .531B 1.88D .12Hard Zn, 2-39
Washer, .656B 1.25D .06W, 2-103

Washer, Flat, 2-65
Washer, Flt, 2-83
Washer, Nylon .5X1.0X.03, 2-107
Washer, Plain, 5-5, 5-7, 5-22, 5-23, 5-31
Washer, Rubber, 2-21
Washer, Rubber Gr, 4-25
Washer, Spring, 5-3, 5-5, 5-7, 5-16, 5-19, 5-22, 5-23, 5-27, 5-29, 5-30, 5-31, 5-32
Washer, Thrust, 2-59, 2-103
Washer, Wave Spring 1.20B X 1.54D, 2-103
Washer, With Rubber, 5-28, 5-29
Washer,Nyl,0.405Bx0.812X.060Th, 2-81, 2-85
Washer-Belleville .31 Pltd, 2-13, 2-17, 2-51, 2-113
Washer-Flat .44 Std Nylon, 2-91, 2-93, 2-95
Washer, 4-13, 4-15, 4-17, 5-31
Weight, Eccentric, 2-29
Wheel Assy, 2-61
Wheel Steering 14DiAx36T, 2-115
Wheel, Caster 3.00D, 2-103
Wingnut, 3-36
Wire, 60.0 Lg, 2Ga, Neg, 2-57
Wire, 78.0 Lg 2Ga, Pos, 2-57
Wire-Ground, Alternator, 2-43

Y

Yoke Assy., 2-41
Yoke, End-Adjustable, 2-81
Yoke, Pivot, Machining, 2-31



We Need Your Help...

As part of Tennant's Zero Defects Program, we want to know about errors you have found or suggestions you may have regarding our machine manuals. If you find an error or have a suggestion, please complete this postage-paid form and mail it to us. Thank you for helping us make zero defects a way of life at Tennant.

Manual No. _____ Rev. No. _____ Publish Date _____ Page _____
Machine _____ Report Error Suggestion

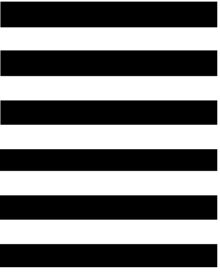
Name _____ Date _____
Customer Number _____
Company _____
Address _____
City/State/Zip Code _____



TENNANT COMPANY
 Technical Publications #15
 701 North Lilac Drive
 P.O. Box 1452
 Minneapolis, MN 55440-9947

POSTAGE WILL BE PAID BY ADDRESSEE

BUSINESS REPLY MAIL
 FIRST CLASS MAIL PERMIT NO. 94 MINNEAPOLIS, MN



NO POSTAGE
 NECESSARY
 IF MAILED
 IN THE
 UNITED STATES



Fold along dotted lines

Tape here





We Need Your Help...

As part of Tennant’s Zero Defects Program, we want to know about errors you have found or suggestions you may have regarding our machine manuals. If you find an error or have a suggestion, please complete this postage-paid form and mail it to us. Thank you for helping us make zero defects a way of life at Tennant.

Manual No. _____ Rev. No. _____ Publish Date _____ Page _____
Machine _____ Report Error Suggestion

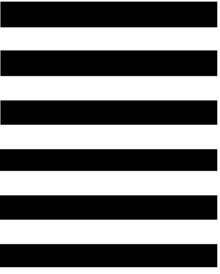
Name _____ Date _____
Customer Number _____
Company _____
Address _____
City/State/Zip Code _____



TENNANT COMPANY
 Technical Publications #15
 701 North Lilac Drive
 P.O. Box 1452
 Minneapolis, MN 55440-9947

POSTAGE WILL BE PAID BY ADDRESSEE

BUSINESS REPLY MAIL
 FIRST CLASS MAIL PERMIT NO. 94 MINNEAPOLIS, MN



NO POSTAGE
 NECESSARY
 IF MAILED
 IN THE
 UNITED STATES



Fold along dotted lines

Tape here

