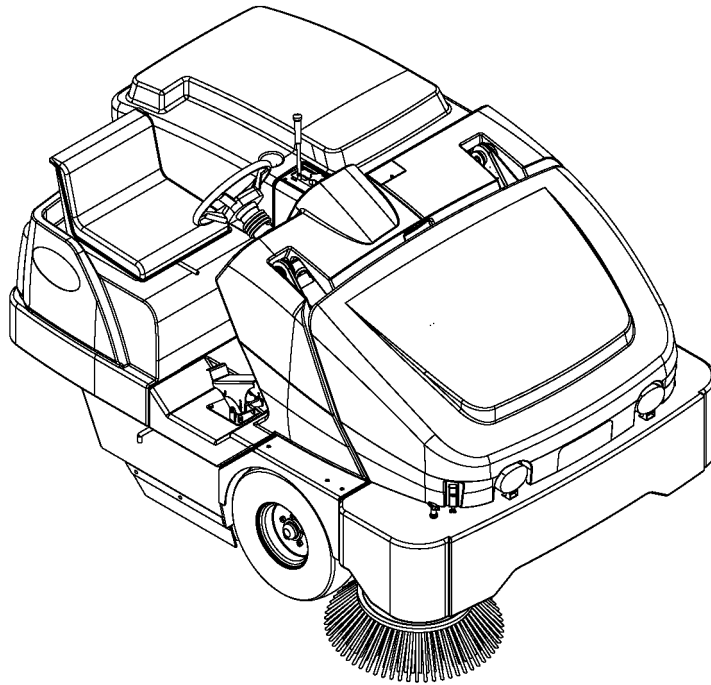


Exterra™



PARTS LIST

Active Models:

**56507003, 56307252 (4 cyl LPG), 56507004 (4 cyl Petrol), 56507005 (4 cyl Diesel)
56508639 (4 cyl LPG / cab), 56508640 (4 cyl Petrol / cab), 56508641 (4 cyl Diesel / cab)**

Obsolete Models:

56507000 (3 cyl LPG), 56507001 (3 cyl Petrol)



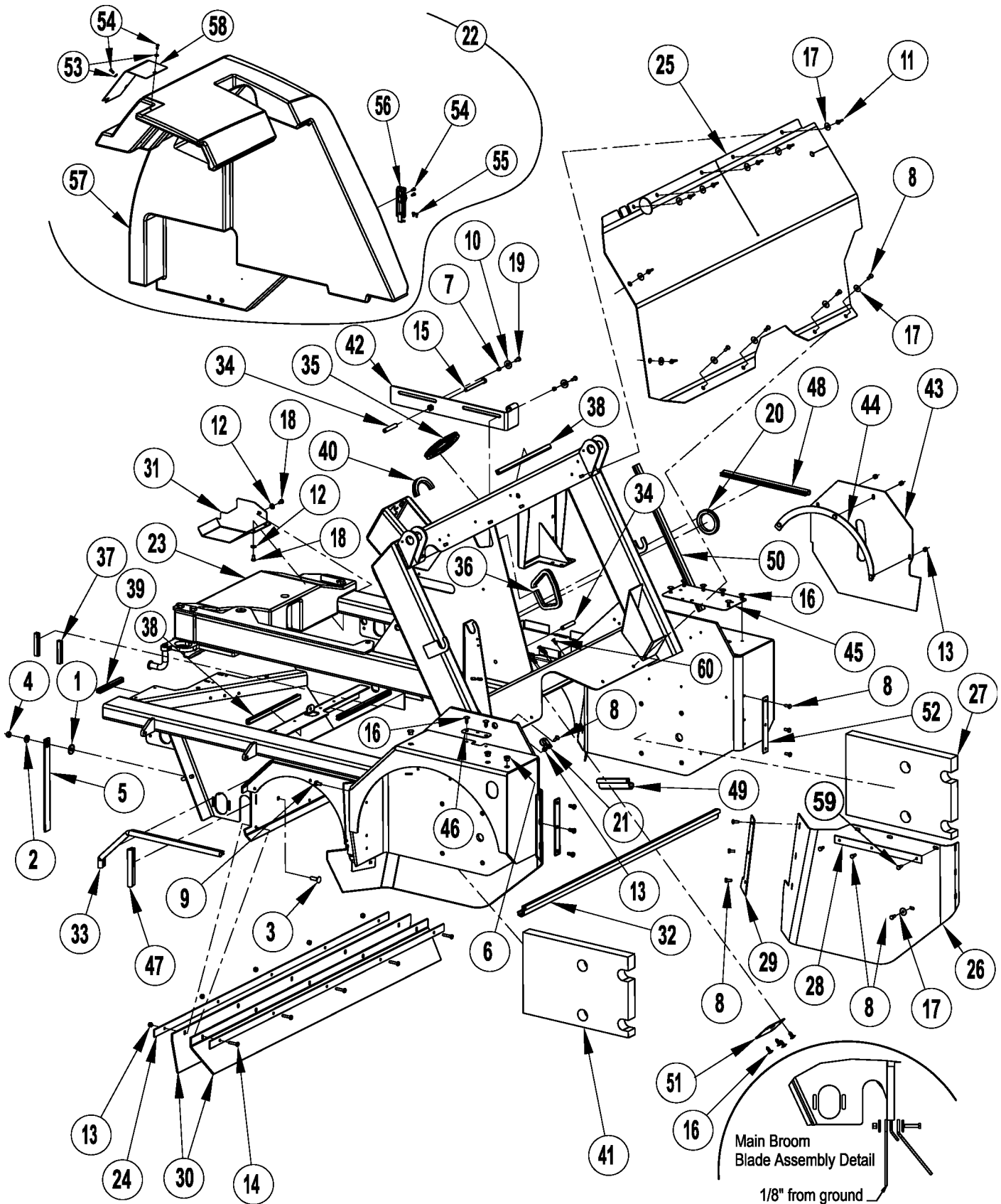
Advance

DESCRIPTION	PAGE
Chassis System	2-3
Chassis Assembly	4-5
Brake Pedal Assembly	6-7
Circuit Breaker Panel Assembly	8-9
Control System	10-11
Decal System	12-13
Drive Wheel System	14-15
Dust Control System-1	16-17
Dust Control System-2	18-19
Electrical System	20-21
Engine (Kubota) LPG/Petrol System-1	22-23
Engine (Kubota) LPG/Petrol System-2	24-25
Engine [GM] LPG & Petrol System-1 [before SN 1000034948]	26-27
Engine [GM] LPG & Petrol System-1 [after SN 1000034947]	28-29
Engine (GM) LPG/Petrol System-2	30-31
Engine (Kubota) Diesel System-1	32-33
Engine [Kubota] Diesel System-2	34-35
Engine LPG Tank & Filter Assembly (non cab models)	36-37
Engine (Kubota) Petrol/Diesel Fuel Tank Assembly (non cab models)	38-39
Engine (GM) Petrol Fuel Tank Assembly (non cab models)	40-41
Engine Rear Cover Assembly	42-43
Forward / Reverse Control Assembly	44-45
Front Wheel System	46-47
Gauge Panel Assembly	48-49
Hopper System-1 thru 4	50-57
Hydraulic Schematic - 3 cylinder models	58
Hydraulic Schematic - 4 cylinder models	59
Hydraulic System - 3 cylinder models	60-61
Hydraulic System - 4 cylinder models	62-63
Hydraulic System - Mounting	64-65
Hydraulic Cylinder Assemblies	66-67
Hydraulic Manifold Assembly	68-69
Hydraulic Motor Assemblies	70-71
Hydraulic Oil Filter/Reservoir	72-73
Hydraulic Pump Assembly	74-75
Lift Broom Assembly	76-77
Main Broom Assembly -1	78-79
Main Broom Assembly -2	80-81
Radiator Assembly	82-83
Seat Assembly	84-85
Side Broom System	86-87
Wiring Diagram-1	88-89
Wiring Diagram-2	90-91
Wiring Diagram-3	92-93
Optional Kits and Accessories	94
Broom Selector Guide	95
Left Hand Side Broom Option	96-99
Tilt Steering Option	100-101

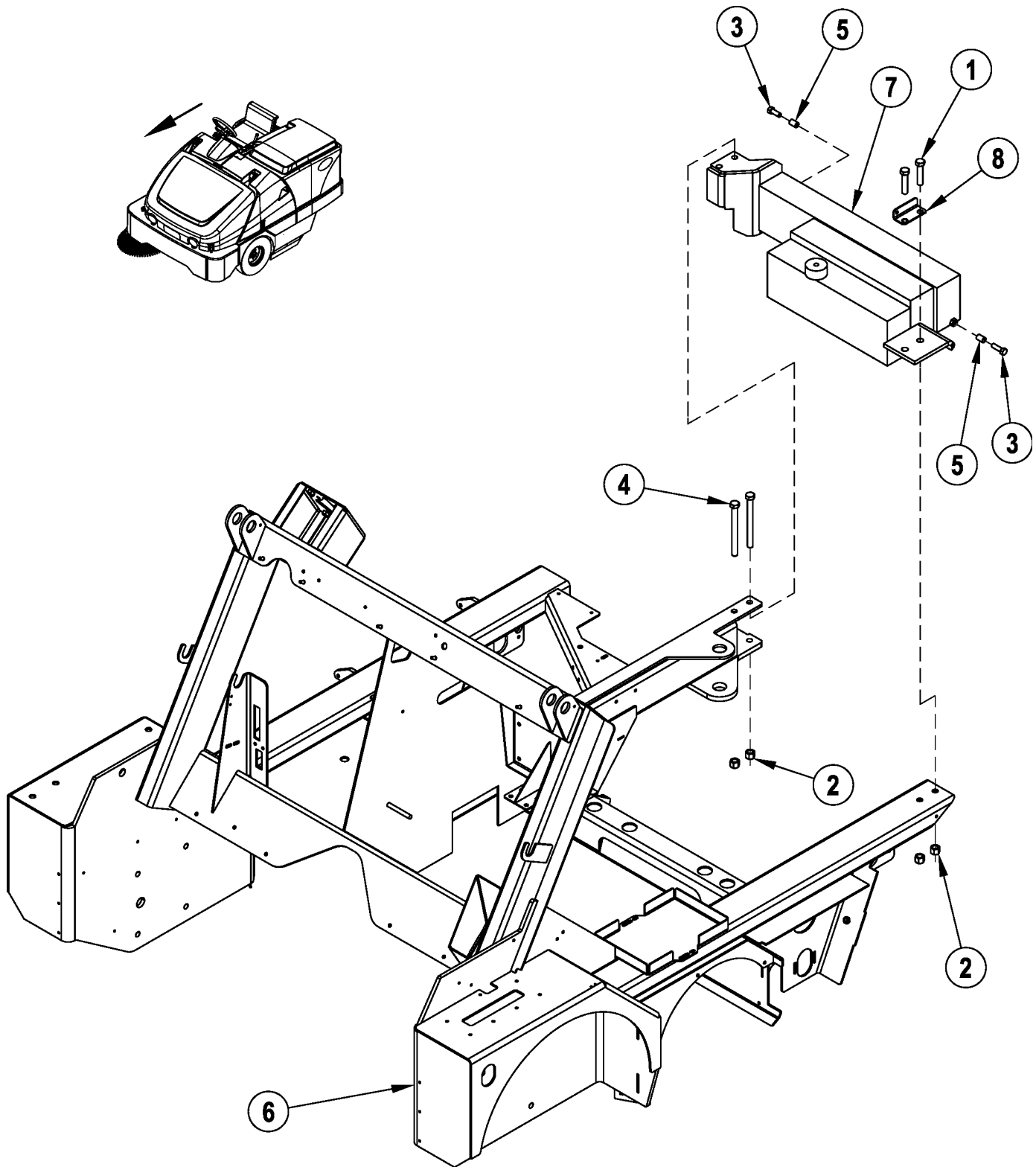
WHEN ORDERING PARTS

- * Use the numbers from the "Ref. No." columns in this parts list.
- * Specify the model and serial number of the machine.
- * Use the space below to record the model and serial number for future reference.

Model _____ Serial No. _____



Item	Ref. No.	Qty	Description
1	2-00-03829	1	Lock Washer, 3/8 Int./Ext. Tooth
2	2-00-04801	1	Flat Washer, 1.00 x .39 x .06
3	2-00-05187	1	3/8-16 X 1.0" Carriage Bolt
4	2-95-04182	1	Nut, Hex, Stop, 3/8-16
5	56416517	1	Static Strap
6	56418888	3	Plug, Cap
7	56453849	2	Bushing .26 x .37 x .28
8	56001836	23	Scr, Hex 1/4-20 x .62
9	56002035	1	Scr, Hex 5/16-18 x .62
10	56002055	2	Wsh, Flt Std 3/8
11	56002084	7	Nut, Wing 1/4-20
12	56002098	2	Wsh, Flt SAE 1/4
13	56002708	9	Nut, Hex Nyl Loc 1/4-20
14	56002897	5	Scr, Hex SS 1/4-20 x 1.25
15	56002977	1	Scr, Hex Thd To Hd 3/8-16 x 4.00
16	56003263	12	Rivet, Nylon Tree Push-In (.25)
17	56009002	13	Wsh, Flt .266 x .906 x .060
18	56009033	2	Scr, Hex Thd Form 1/4-20 x .50
19	56009126	2	Scr, Pan Phil Thd Form 1/4-20 x .75
20	56459362	1	Grommet
21	56486112	1	Clamp, P
22	56507042	1	Cover, Center Assy (grey) (items 53-58)
	56508676	1	Cover, Center Assy (green / Advance model 56307252) (items 53-58)
23	56507043	1	Chassis Assy
24	56507117	2	Strap
25	56507141	1	Cover, Rubber
26	56507473	2	Flap
27	56507474	1	Foam, LH
28	56507475	2	Strap
29	56507476	2	Strap
30	56507569	2	Flap, Broom Rear
31	56507841	1	Exhaust Air Guide
32	56507895	1	Seal, Broom Chamber
33	56507896	2	Gasket
34	56507897	2	Cap, Vinyl
35	56507900	1	Trim, Edge
36	56507901	1	Trim, Edge
37	56507903	2	Trim, Edge
38	56507904	2	Trim, Edge
39	56507905	1	Trim, Edge
40	56507906	1	Trim, Edge
41	56507967	1	Foam, RH
42	56507981	1	Slide Weldment
43	56508317	1	Flap LH Main Broom
44	56508319	1	Clamp Weldment
45	56508372	1	Flap, Dust
46	56508373	1	Flap, Dust
47	56508380	1	Gasket
48	56508382	1	Gasket
49	56508385	2	Gasket
50	56508516	1	Seal, Door Hinge
51	56508387	1	Flap, Dust
52	56508399	2	Strap
53	56002140	2	Wsh, Flt SAE #8
54	56003093	4	Scr, Pan Phil Plastite 8-16 x .50
55	56009051	2	Scr, Pan Phil Thd Form 8-32 x .38
56	56507188	1	Latch, Hopper Cover
57	56507565	1	Intermediate Cover Assy (grey)
	56508669	1	Intermediate Cover Assy (green / Advance model 56307252)
58	56507599	1	Plate, Cover (grey)
	56507600	1	Plate, Cover (green / Advance model 56307252)
59	56001881	2	Scr, Flt Soc 1/4-20 x .75
60	56009388	6	Rivet Nylon Tree Push In .187



06-12

CHASSIS ASSEMBLY

08-5

Exterra™

5

Item	Ref. No.	Qty	Description
	56507043	1	Chassis Assembly
1	56001968	2	Scr, Hex 1/2-13 x 1.50
2	56002770	4	Nut, Hex Nyl Loc 1/2-13
3	56002947	2	Scr, Hex Hd Loc 3/8-16 x 1.00
4	56003471	2	Scr, Hex 1/2-13 x 5.50
5	56244859	2	Bushing .37 x .50 x .75
6	56507300	1	Chassis Weldment
7	56508880	1	Rear Bumper Weldment
8	56507553	1	Bracket, Cover Lanyard

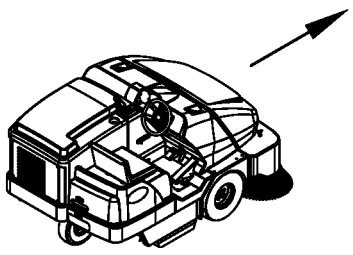
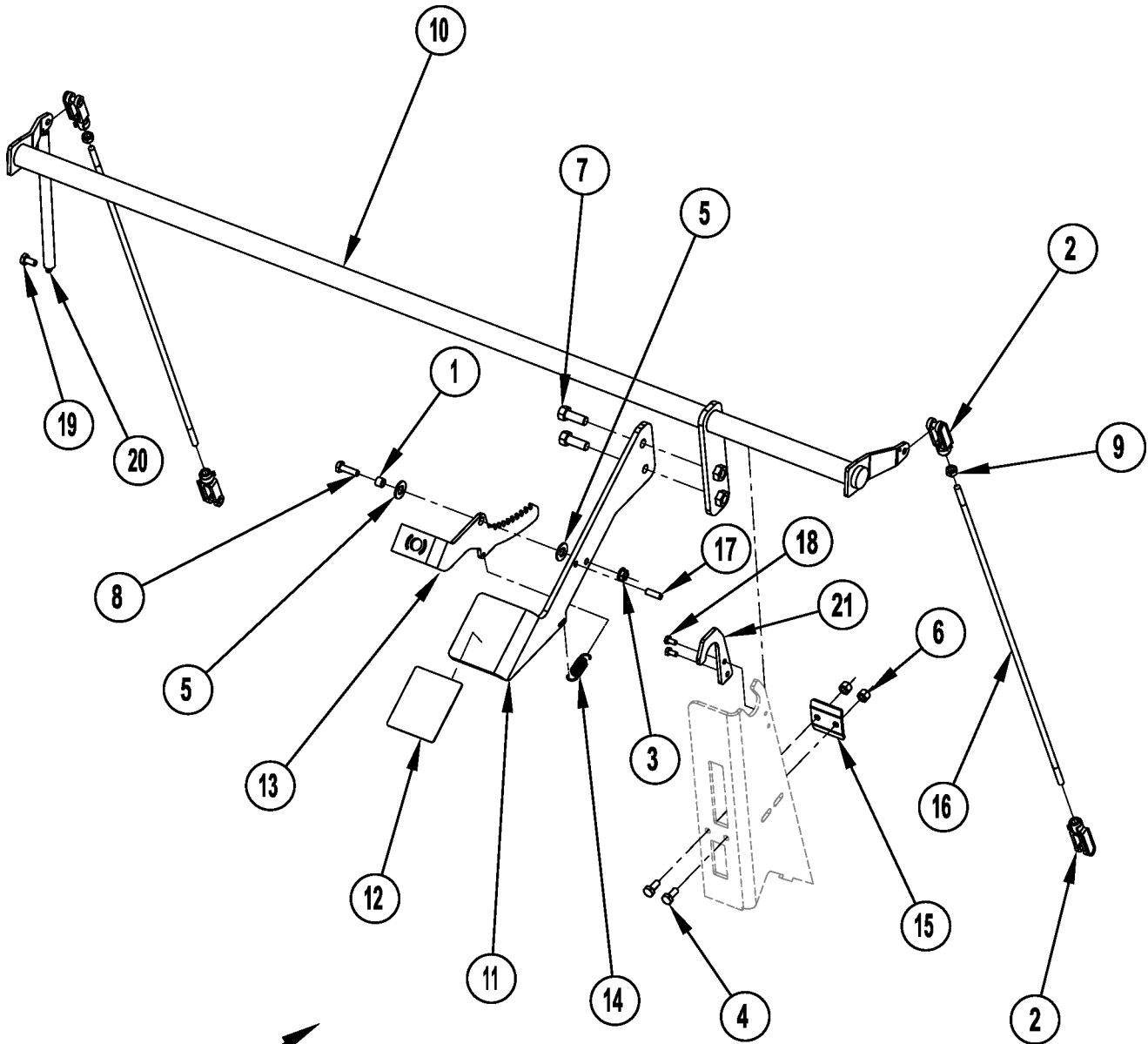
BRAKE PEDAL ASSEMBLY

06-12

6

Exterra™

08-5



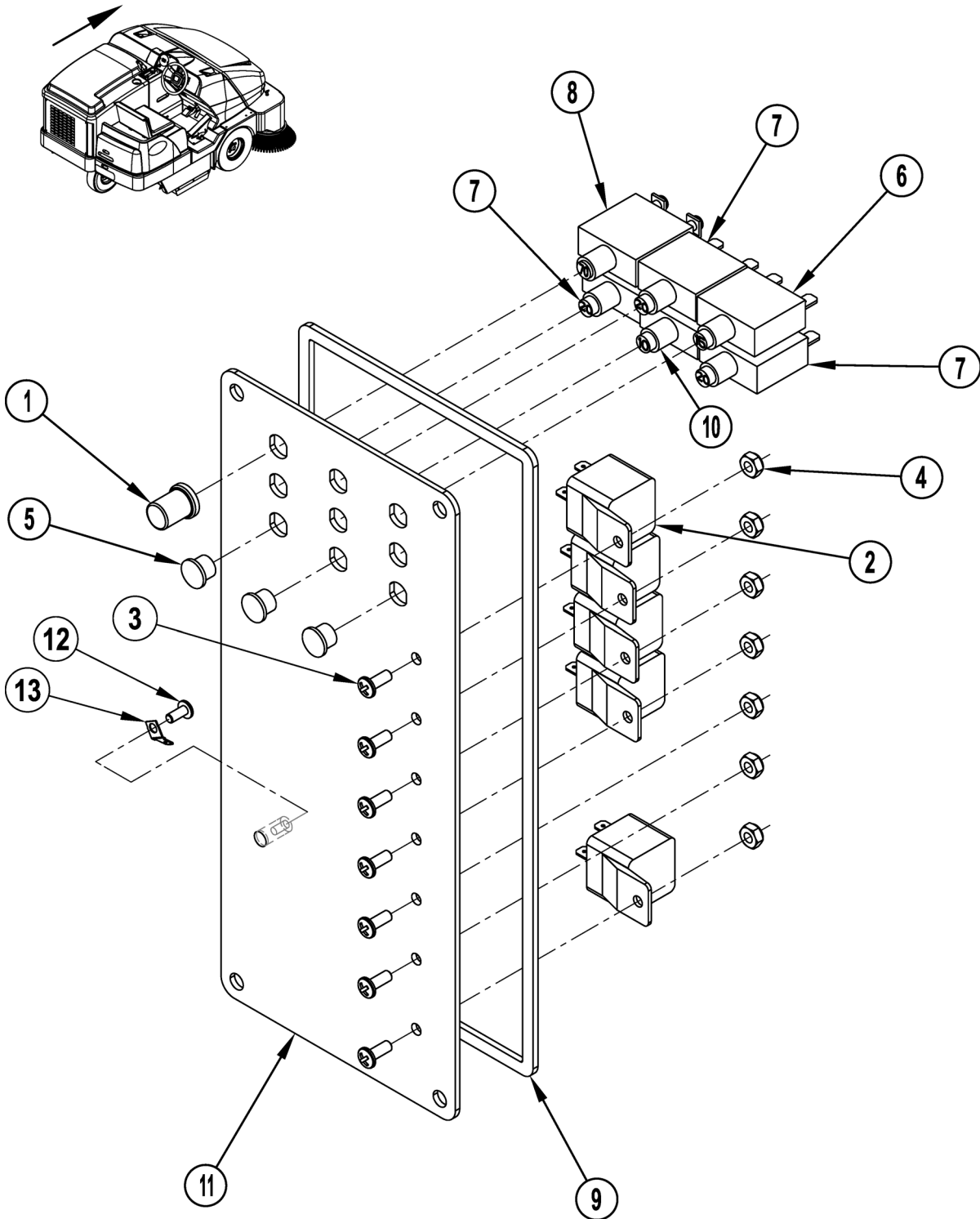
06-12

BRAKE PEDAL ASSEMBLY

07-8

Exterra™**7**

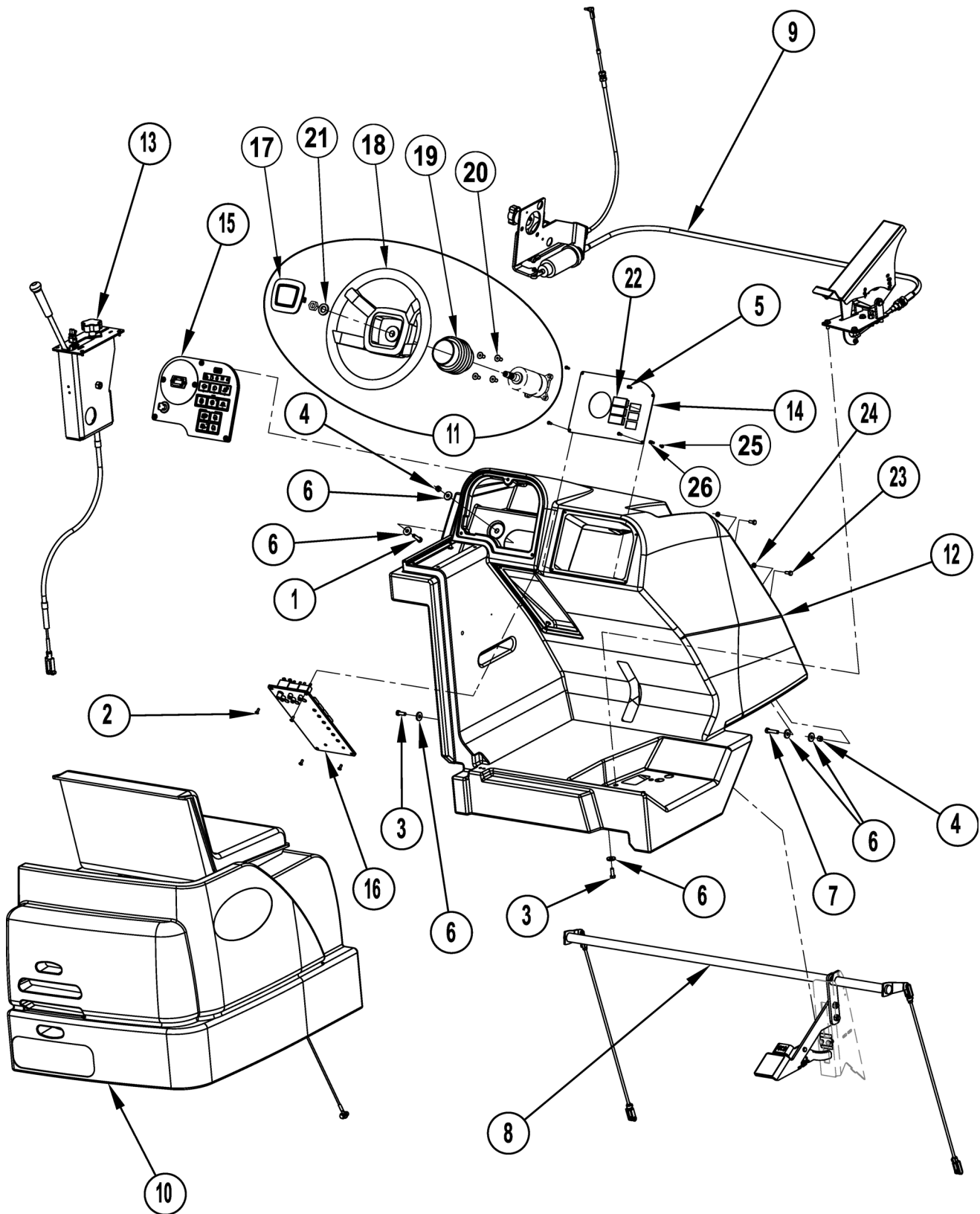
Item	Ref. No.	Qty	Description
	56507044	1	Brake Pedal Assembly
1	56368989	1	Bushing
2	56407133	4	Yoke, Clevis
3	56001827	1	Nut, Hex Flange Loc 1/4-20
4	56001836	2	Scr, Hex 1/4-20 x .62
5	56002063	2	Wsh, Flt SAE 3/8
6	56002708	2	Nut, Hex Nyl Loc 1/4-20
7	56002947	2	Scr, Hex Hd Loc 3/8-16 x 1.00
8	56002960	1	Scr, Hex Hd Loc 1/4-20 x .88
9	56009142	2	Nut, Hex Machine 1/4-28
10	56507210	1	Brake Connecting Rod Weldment
11	56507221	1	Brake Pedal
12	56507226	1	Mat, Pedal
13	56507450	1	Parking Brake Lever
14	56507451	1	Spring, Extension
15	56507453	1	Plate
16	56507456	2	Rod
17	56003138	1	Pin, Spr .25 x .75
18	56009012	2	Scr, Hex Thd Form 10-24 x .38
19	56009033	1	Scr, Hex Thd Form 1/4-20 x .50
20	56382000	1	Spring, Extension
21	56508329	1	Tab, Brake Rod Locking



06-12	CIRCUIT BREAKER PANEL ASSEMBLY		
09-10	Exterra™		9

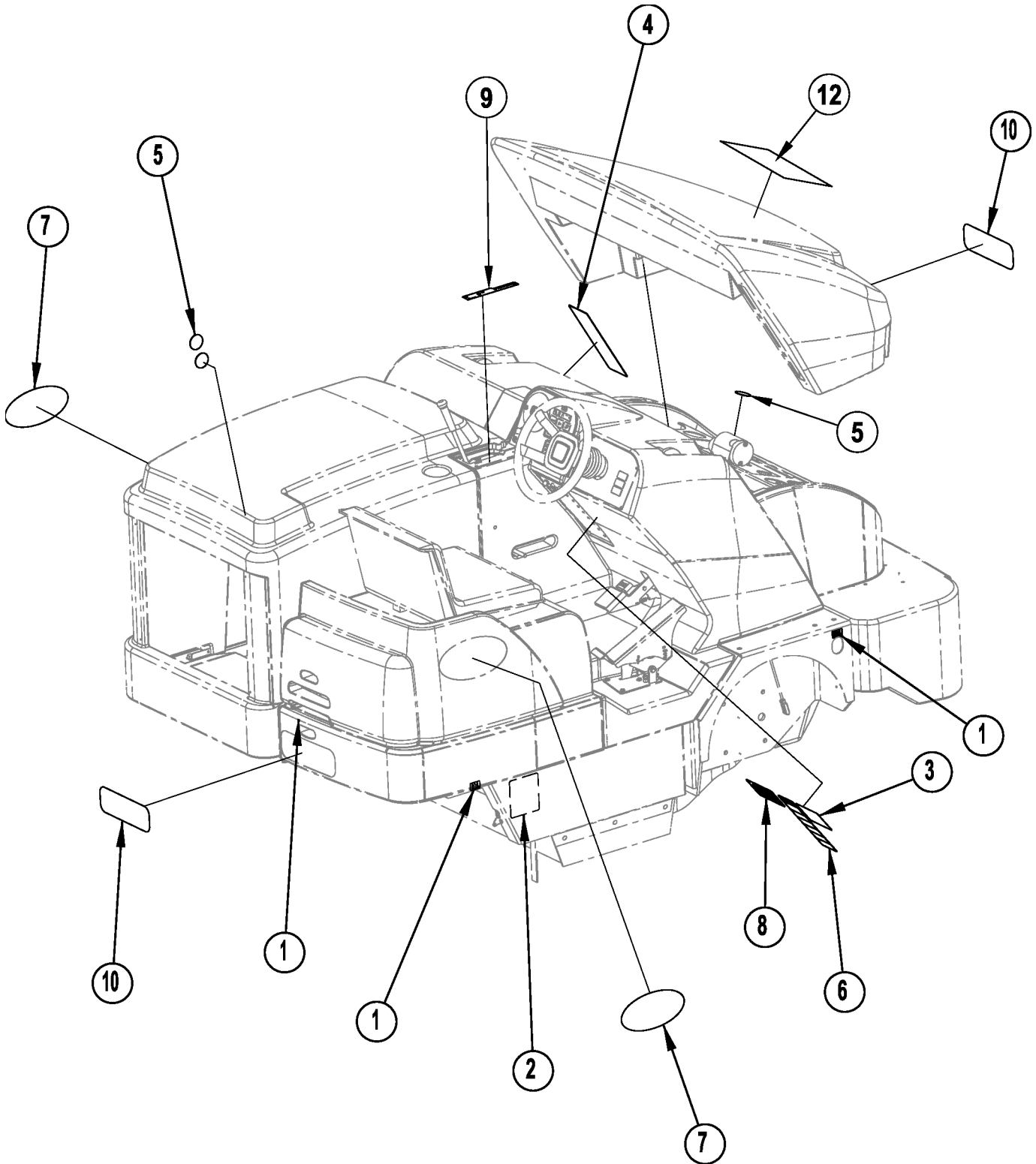
Item	Ref. No.	Qty	Description
	56507615	1	Panel Assembly, Diesel (items 1-13)
	56507646	1	Panel Assembly, LPG / Petrol (items 1-13)
	56508678	1	Panel Assembly, LPG / Petrol (items 1-13 / Advance model 56307252)
1	56459369	1	Boot, Reset Button
2	56418387	4	Relay, SPDT (qty 5 on Diesel)
3	56001993	7	Scr, Pan Phil 10-24 x .50
4	56002832	7	Nut, Hex Nyl Loc-Thin 10-24
5	56153126	3	Plug, Cap
6	56413407	1	Circuit Breaker, 15 Amp
7	56413822	3	Circuit Breaker, 20 Amp
8	56454429	1	Circuit Breaker, 70 Amp
9	56507441	1	Gasket, RS Strip
10	56507644	1	Circuit Breaker, 10 Amp
11	56508920	1	Panel- Circuit Breakers Assy. (grey) NOTE 1
	56508935	1	Panel, Circuit Breakers (green / Advance model 56307252)
12	56001818	1	Scr, Pan Phil 8-32 x .38 NOTE 1
13	56508923	1	Tab-Quick Connect .187 x #8 NOTE 1

NOTE 1: Used on machines built after SN 1000023622.



Item	Ref. No.	Qty	Description
1	56001834	1	Scr, Hex 5/16-18 x 1.25
2	56001993	4	Scr, Pan Phil 10-24 x .50
3	56002037	2	Scr, Hex 5/16-18 x .88
4	56002701	2	Nut, Hex Nyl Loc 5/16-18
5	56003093	4	Scr, Pan Phil Plastite 8-16 x .50
6	56009122	6	Wsh, Flt .344 x .938 x .125
7	56009256	1	Scr, Hex 5/16-18 x 1.38
8	56507044	1	Pedal Brake Assy See Brake Pedal Assembly
9	56507049	1	Fwd / Rev 4 Cyl Control Assy See Forward/Reverse Control Assembly
	56507134	1	Fwd / Rev 3 Cyl Control Assy See Forward/Reverse Control Assembly
10	56507052	1	Seat Assy (grey / non cab models) See Seat Assembly
	56508674	1	Seat Assy (green / Advance model 56307252) See Seat Assembly
11	56507053	1	Steering Assembly (items 17-21)
12	56507083	1	Console (grey)
	56508670	1	Console (green / Advance model 56307252)
13	56507407	1	Lift Broom Assy (grey) See Lift Broom Assembly
	56508677	1	Lift Broom Assy (green / Advance model 56307252) See Lift Broom Assembly
14	56508922	1	Panel-Standard Assy. NOTE 1
15	56507499	1	Gauge Panel Assy – LPG Model See Gauge Panel Assembly
	56507500	1	Gauge Panel Assy – Petrol Model See Gauge Panel Assembly
	56507498	1	Gauge Panel Assy – Diesel Model See Gauge Panel Assembly
	56508713	1	Gauge Panel Assy (used on Advance model 56307252)
16	56507646	1	Panel Assy, LPG / Petrol (grey) See Circuit Breaker Panel Assembly
	56508678	1	Panel Assy, LPG / Petrol (green / Advance model 56307252) See Circuit Breaker Panel Assembly
	56507615	1	Panel Assy, Diesel See Circuit Breaker Panel Assembly
17	7-16-07428	1	Cover, Steering Wheel
18	56418460	1	Steering Wheel
19	8-33-02360	1	Hose, Heat Shield
20	56003752	4	Scr, Flt Soc M8 x 1.25 x 20mm
21	56009218	1	Wsh, Flt .688 x 1.250 x .125
22	2-00-05758	3	Cover, Blank Switch
23	56001836	2	Scr, Hex 1/4-20 x .62
24	56002840	2	Nut, Hex Nyl Loc-Thin 1/4-20
25	56001818	1	Scr, Pan Phil 8-32 x .38 NOTE 1
26	56508923	1	Tab-Quick Connect .187 x #8 NOTE 1

NOTE 1: Used on machines built after SN 1000023622.



06-12

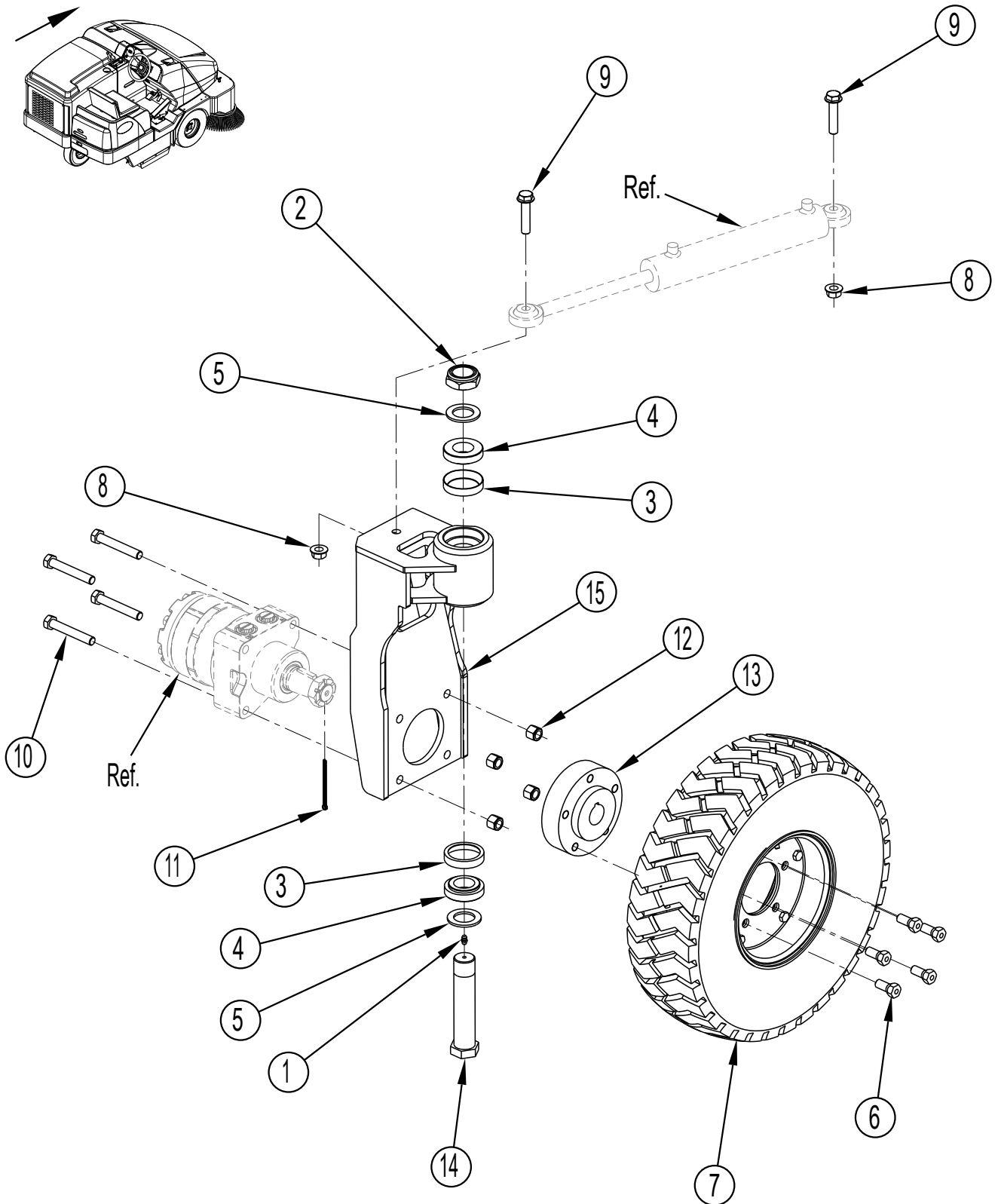
DECAL SYSTEM

09-1

Exterra™

13

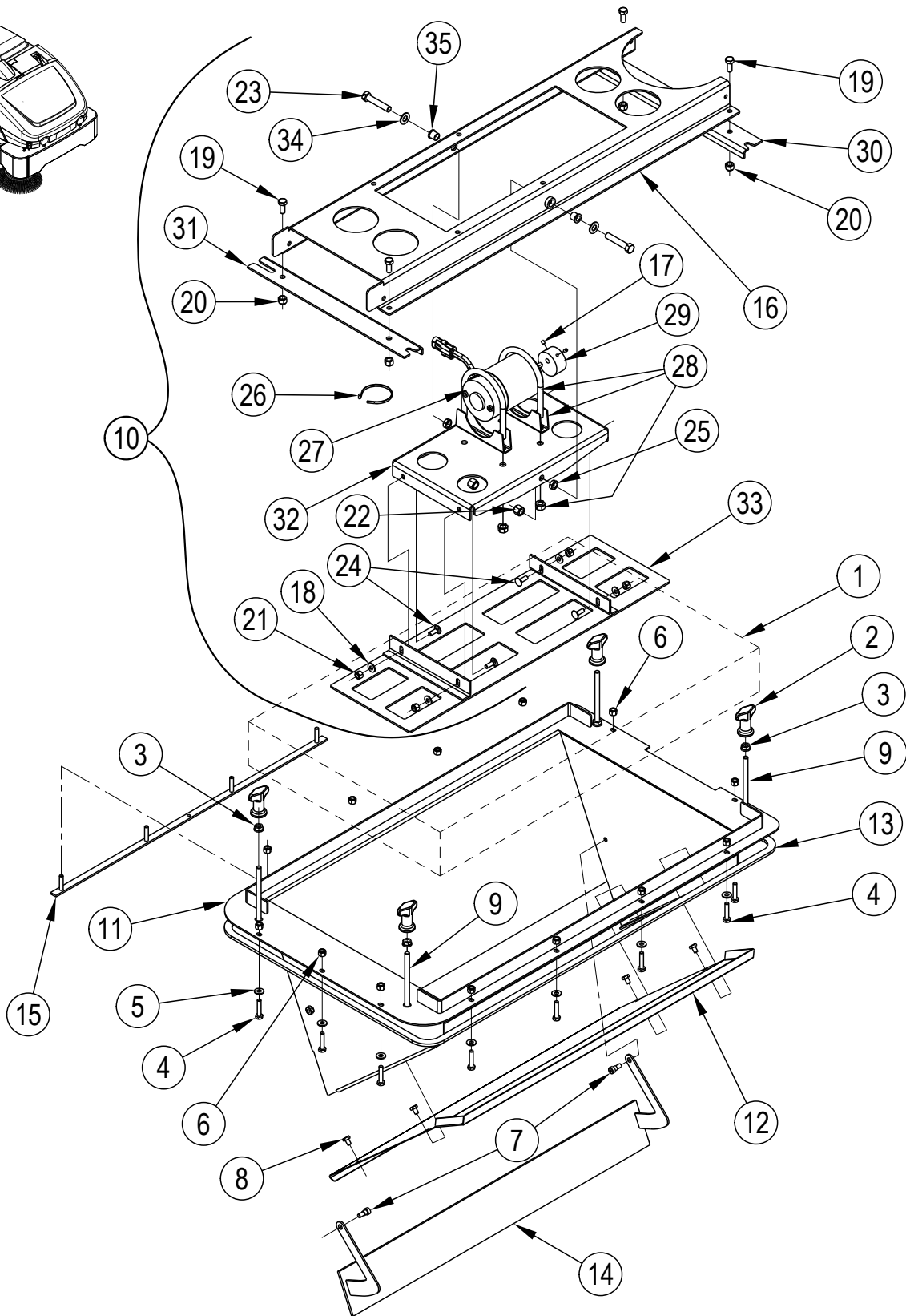
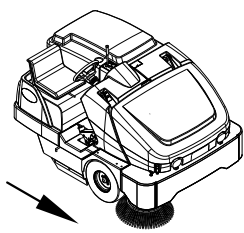
Item	Ref. No.	Qty	Description
1	56015370	5	Decal, Tie Down
2	56015425	2	Decal, Warning Broom
3	56015427	1	Decal, Warning Tip Over
4	56015428	1	Decal, Warning Hopper
5	56030080	3	Decal, Hands Clear
6	56014601	1	Decal, Caution
7	56015577	2	Decal, Exterra
8	56016356	1	Decal, Circuit Breaker
9	56016365	1	Decal, Main Broom
10	56016730	2	Decal, Advance
12	56508679	1	Decal (Advance model 56307252)



Item	Ref. No.	Qty	Description
1	56101737	1	Fitting, Lube 1/4-28
2	2-00-04454	1	Nut, Nylok Thin 1 1/4"
3	2-00-04621	2	Bearing Cup
4	2-00-04622	2	Bearing Cone
5	8-75-01136	2	Washer, 1 1/4"
6	8-80-05035	5	Stud - Wheel
7	8-89-08067	1	Wheel Assy
[]	8-65-05015	1	Rim Assy, 5 x 8 x 3.75
[]	8-85-06021	1	Tire - Pneumatic 5 x 8
[]	8-70-00085	1	Tube - Inner Pneu Tire
*	8-89-08064	1	Wheel Assy TSBUS2009-1032
[]	8-85-06023	1	Rim Assy
[]	8-85-06021	1	Tire - Pneumatic 5 x 8
[]	8-70-00093	1	Tube - Inner Pneu Tire
*	8-89-08065	1	Wheel Assy TSBUS2009-1032
[]	8-85-06023	1	Rim Assy
[]	56508943	1	Tire Solid 5 x 8 x 3
8	56003872	2	Nut-Hex Flange 1/2-20 Spirallock
9	56003871	2	Scr-Hex Flange 1/2-20 x 2.25
10	56002116	4	Scr, Hex 1/2-13 x 3.25
11	56002574	1	Pin, Cotter 5/32 x 3.00
12	56002770	4	Nut, Hex Nyl Loc 1/2-13
13	56507462	1	Hub, Drive Wheel
14	56507099	1	Pin, Drive Yoke Pivot
15	56507280	1	Drive Yoke Weldment

[] = Not Shown

* = Optional, Not Included

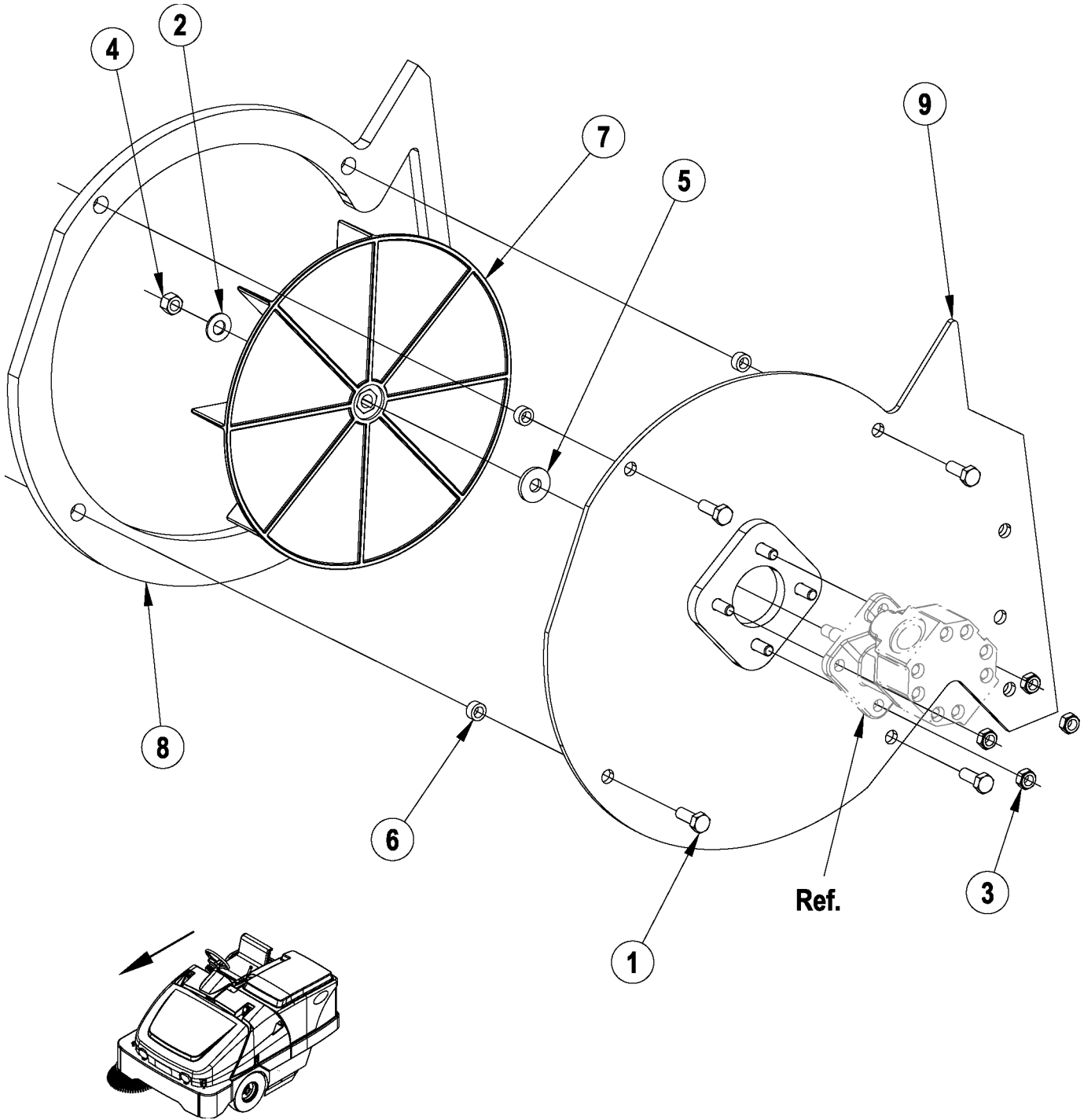


Item	Ref. No.	Qty	Description
	56507058	1	Panel Filter Shaker Assembly (1-15)
1	8-24-04139-1	1	Filter Panel Ultra-Web Cellulose
**	56382789	1	Filter Panel Poly High Flow
**	56508953	1	Filter-HEPA
2	56370711	4	Nut, Thumb
3	56001806	4	Nut, Hex Whiz W/Flange Loc 5/16-18
4	56001878	9	Scr, Hex 1/4-20 x 1.25
5	56002098	9	Wsh, Flt SAE 1/4
6	56002708	13	Nut, Hex Nyl Loc 1/4-20
7	56003717	2	Scr, Soc Shd .31 x .25 x 1/4-20
8	56009019	4	Scr, Hex Thd Form 1/4-20 x .38
9	56109163	4	Rod, Threaded
10	56507190	1	Filter Shaker Assembly (items 16-35)
11	56508070	1	Weldment, Seal Plate
12	56508073	1	Plate, Dust
13	56508088	1	Gasket, 1/2 x 1/4
14	56508089	1	Door Filter Chamber Weldment
15	56508700	1	Clamp Filter Seal Weldment
16	8-13-07170	1	Plate, Filter Shaker
17	56002015	2	Scr, Soc Set Loc 10-24 x .25
18	56002098	4	Wsh, Flt SAE 1/4
19	56002667	4	Scr, Hex 5/16-18 x .75
20	56002701	4	Nut, Hex Nyl Loc 5/16-18
21	56002708	4	Nut, Hex Nyl Loc 1/4-20
22	56002769	2	Nut, Hex Nyl Loc 3/8-16 NOTE 1
23	56003779	2	Scr, Hex 3/8-16 x 2.00 Grade 8 NOTE 1
24	56003715	4	Scr, Carriage SS 1/4-20 x .75
25	56009085	2	Nut, Hex Jam 3/8-16 NOTE 1
26	56478246	1	Tie, Cable
27	56508664	1	Motor, 12VDC NOTE 2
28	56508887	2	Clamp, Muffler 3" NOTE 2
29	56508772	1	Eccentric NOTE 2
30	56508703	1	Bracket LH, Filter Shaker
31	56508704	1	Bracket RH, Filter Shaker
32	56508705	1	Plate Shaker Motor Mtg
33	56508706	1	Shaker Weldment
34	56002063	2	Wsh, Flt SAE 3/8 NOTE 1
35	56508737	2	Bearing, Flange NOTE 1

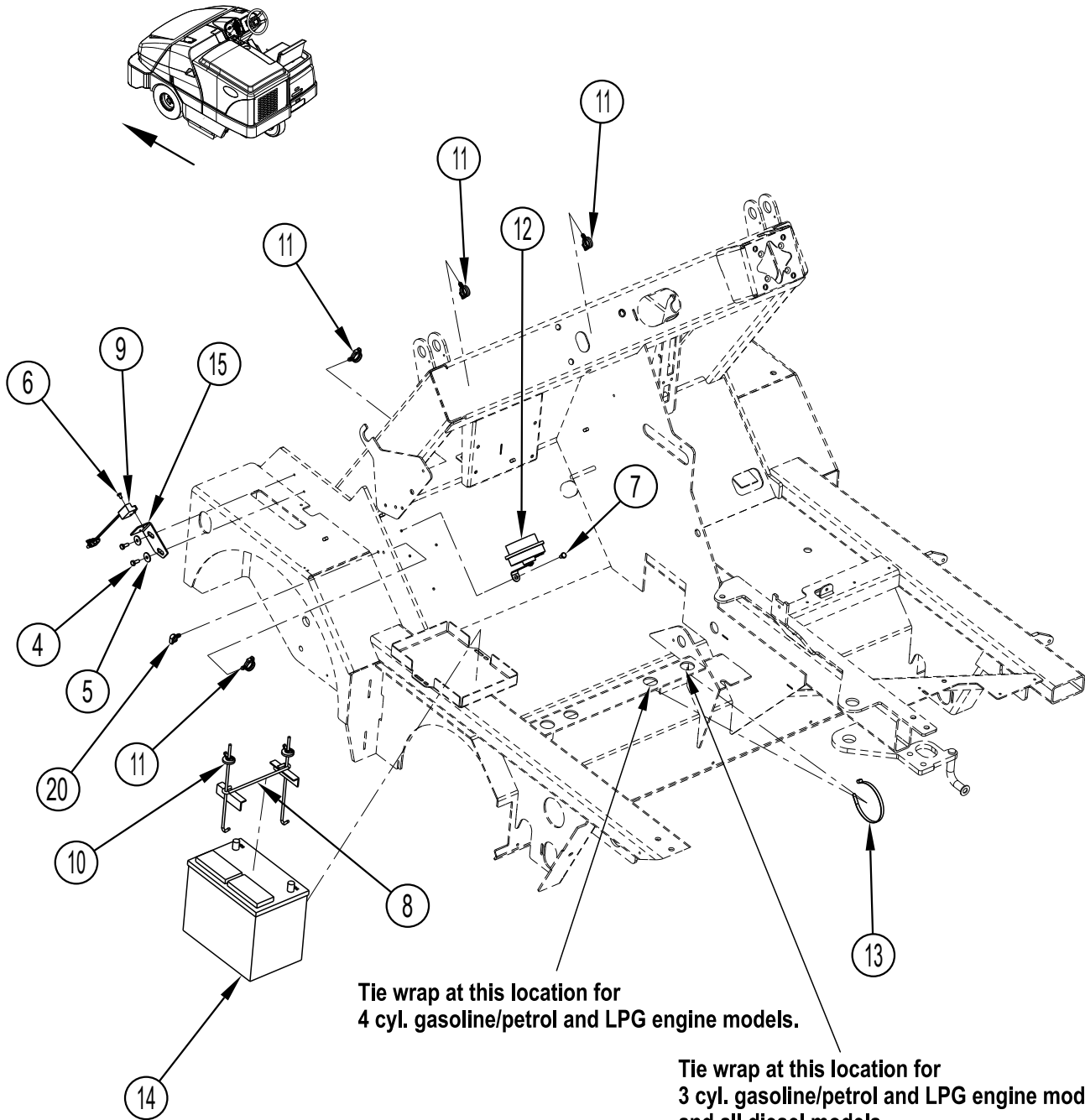
** = Optional

NOTE 1: As of SN2005947 this hardware has been changed from 1/2-13 to 3/8-16. When replacing any one 1/2" hardware component (items 22, 23 or 25) you will need to order a quantity of 2 of the following items (22, 23, 25, 34 & 35).

NOTE 2: As of SN2005947 Shaker Motor 56508633 has been replaced in production by Shaker Motor 56508664. 56508633 is obsolete and no longer available. If you order Shaker Motor 56508633, U-Bolt 56508642 or Eccentric 56508643 you will receive Shaker Motor Kit 56508780.



Item	Ref. No.	Qty	Description
	56507059	1	Vacuum Fan Assembly (1-9)
1	56002037	4	Scr, Hex 5/16-18 x .88
2	56002063	1	Wsh, Flt SAE 3/8
3	56002826	4	Nut, Hex Nyl Loc-Thin 5/16-18
4	56002950	1	Nut, Hex Nyl Loc 5/16-24
5	56009107	1	Wsh, Flt SS .378 x 1.000 x .120
6	56052581	4	Spacer, .315 ID x .50 OD x .25 Lg
7	56418897	1	Impeller
8	56507198	1	Seal, Vac Fan
9	56507200	1	Plate Weldment, Vac Motor



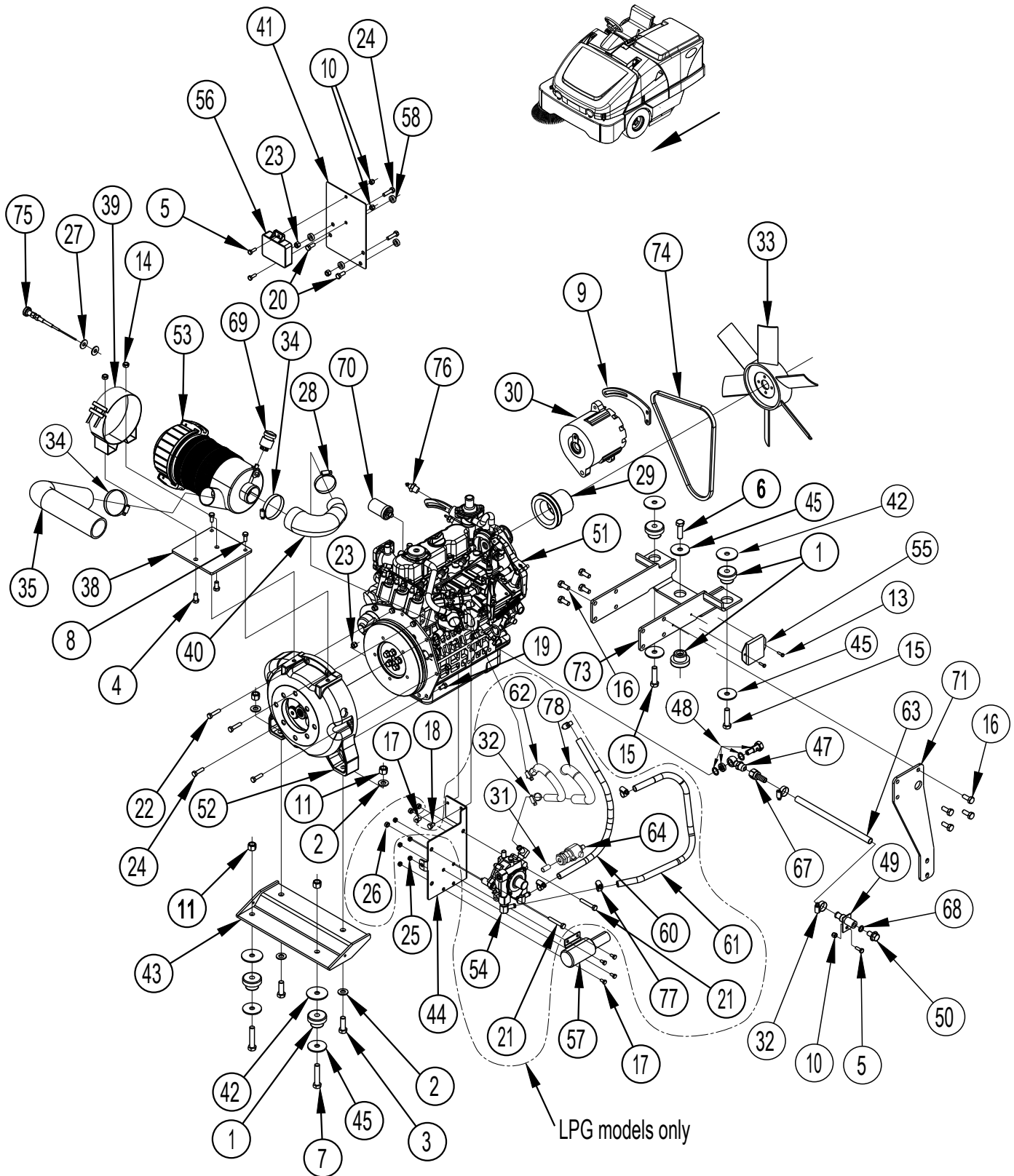
**Tie wrap at this location for
4 cyl. gasoline/petrol and LPG engine models.**

**Tie wrap at this location for
3 cyl. gasoline/petrol and LPG engine models
and all diesel models.**

Item	Ref. No.	Qty	Description
*	56462361	1	Conn, 2 Way Female
*	56492305	1	Boot, Rubber
*	56493357	1	Insulator, Terminal
4	56001836	2	Scr, Hex 1/4-20 x .62
5	56009002	2	Wsh, Flt .266 x .906 x .060
6	56009030	1	Scr, Pan Phil Thd Form 10-24 x .38
7	56009033	1	Scr, Hex Thd Form 1/4-20 x .50
8	56304445	1	Starter Battery Hold Down
9	56305053	1	Sensor, Proximity
10	56305112	2	10" J Type Hold Down
11	56410247	4	Clip, Conduit
12	56442054	1	Horn, 12V
13	56477613	1	Tie, Cable (location is dependent upon model)
14	0875-008	1	Battery 12V
15	56507457	1	Mount, Sensor
*	56508735	1	Harness, Main
#			Deleted
*	56507680	1	Cable, Pos. Battery
*	56507681	1	Cable, Neg. Battery
20	56507793	2	Clip, Conduit
*	56508006	1	Harness, Diesel Relay (diesel models only)
*	56508010	1	Wire Asm, Grn/Red 10-1 (diesel models only)
*	56508013	1	Cable, Asm, Blk 6-1

* = Not Shown

= Revised or new since last update

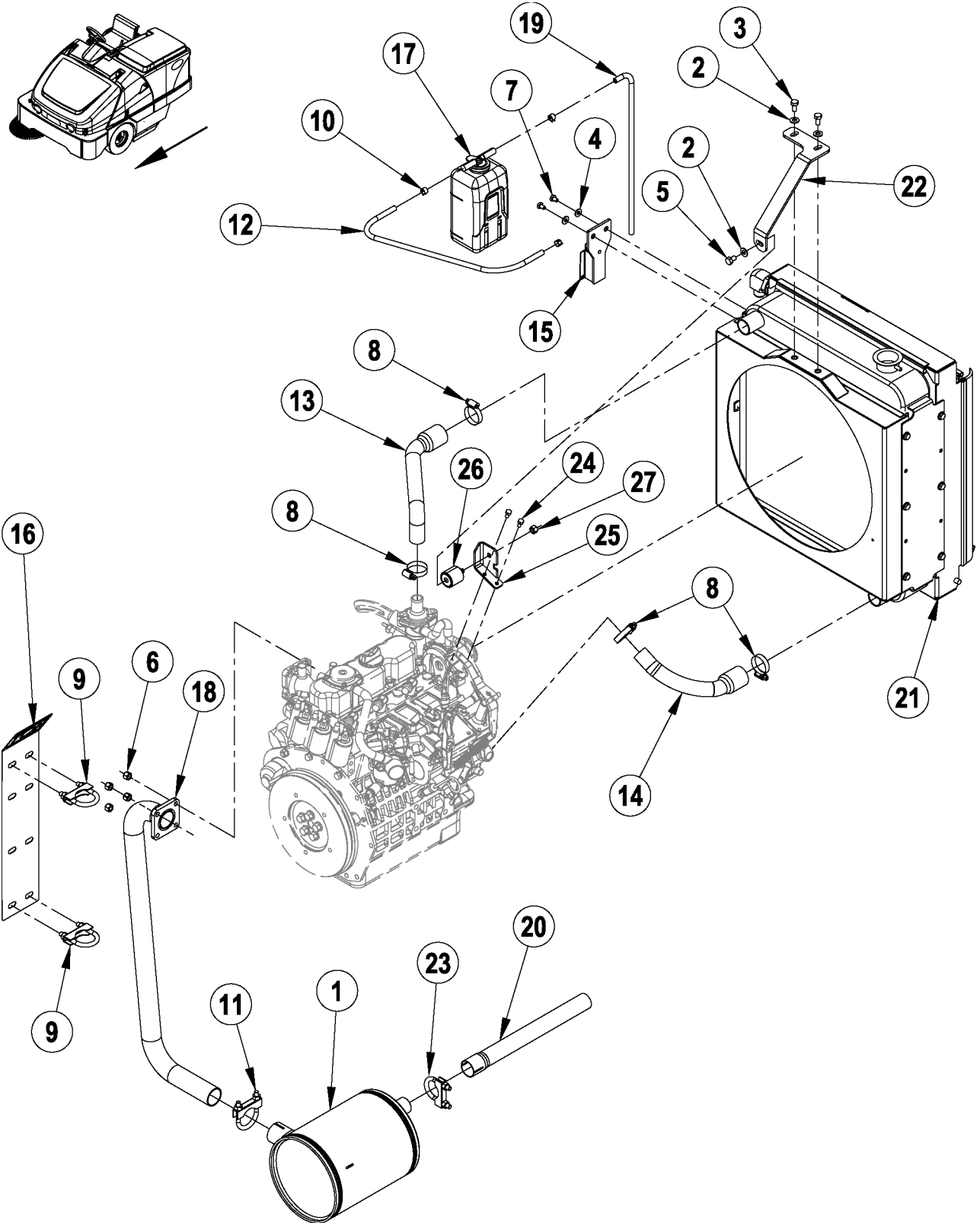


Item	Ref. No.	Qty	Description	Item	Ref. No.	Qty	Description
1	56478685	5	Mount, Rubber	54	56507725	1	Regulator NOTE 1
2	56001879	4	Wsh, Flt SAE 1/2	55	56508446	1	Solenoid Controller
3	56001968	2	Scr, Hex 1/2-13 x 1.50	56	56508445	1	Spark Controller
4	56002127	2	Scr, Hex 3/8-16 x .75	57	56507729	1	Actuator
5	56002155	3	Scr, Hex 1/4-20 x .75	58	56507795	4	Spacer, Coil Bracket
6	56001995	1	Scr, Hex 1/2-13 x 1.75	59	56507829	1	Harness, Kubota 972 (Not Shown)
7	56002533	2	Scr, Hex 1/2-13 x 2.50	60	56507867	1	Hose, Coolant to Regulator NOTE 1
8	56002667	2	Scr, Hex 5/16-18 x .75	61	56507868	1	Hose, Regulator to Engine NOTE 1
9	56508430	1	Bracket, Alternator 3 Cyl	62	56510320	1	Hose-Fuel NOTE 1
10	56002708	3	Nut, Hex Nyl Loc 1/4-20	63	56507964	1	Hose, Remote Oil Drain
11	56002770	4	Nut, Hex Nyl Loc 1/2-13	64	2-60-02315	1	LP Lockoff NOTE 1
13	56002829	2	Scr, Hex 10-24 x .62	67	56507997	1	Banjo Barb
14	56002841	2	Nut, Hex Nyl Loc-Thin 3/8-16	68	56507998	1	Seal
15	56002983	2	Scr, Hex 1/2-13 x 2.00	69	56507999	1	Indicator, Air
16	56003019	8	Scr, Hex M10-1.25 x 25mm	70	56508444	1	Switch, Pressure
17	56003155	5	Scr, Hex M6-1 x 12mm	71	56508001	1	Bracket, Muffler Hanger
18		1	Scr, Hex M8-1.25 x 12mm	72	56508005	1	Harness, Oil Pressure Switch (Not Shown)
19	56003178	2	Scr, Hex M8-1.25 x 16mm	73	56508192	1	Bracket, Engine Mount
20	56003179	2	Scr, Hex Thd To Hd M8-1.25 x 20mm	74	56508336	1	Belt, Vee
21	56003210	2	Scr, Hex M8-1.25 x 50mm NOTE 1	75	56508338	1	Cable, Choke
22	56003361	2	Scr, Hex M8-1.25 x 35mm	76	56419091	1	Switch, Temp
23	56003389	4	Nut, Hex Nyl Loc M8-1.25	77	56756364	4	Clamp, Hose SAE #4 NOTE 1
24	56003416	4	Scr, Hex M8-1.25 X 30mm	78	56510558	1	Hose-Fuel NOTE 1
25	56003744	5	Nut, Self-Clinching M6-1 (qty of 4 on Petrol)	ENGINE REPLACEMENT PARTS			
26	56003745	3	Nut, Self-Clinching M8-1.25 NOTE 1	*	56508454	1	Thermostat Kit
27	56009213	2	Wsh, Flt .392 x 1.00 x .075	*	56507729	1	Throttle Actuator
28	56049999	1	Clamp, Hose SAE #28	*	56507829	1	Wire Harness
29	56110629	1	Sheave	*	56508455	1	Plug Wire/Coil Kit
30	56110738	1	Alternator, 105 Amp	*	56508456	3	Spark Plug
31	56150223	1	Nipple, 1/4NPT x .88/1.12 NOTE 1	*	56110738	1	Alternator 105A
32	56219932	4	Clamp, Hose SAE #6 (qty of 2 on Petrol)	*	56508440	1	Starter Motor
33	56418718	1	Fan	*	56419091	1	Switch, Temp
34	56456797	2	Clamp, Hose SAE #36	*	56508457	1	Water Pump Assy
35	56507368	1	Hose, Air Intake	*	56508458	1	Oil Filter Cartridge
38	56507388	1	Bracket, Air Cleaner Mounting	*	56508459	1	Exh Gasket Donut
39	56507389	1	Band, Air Cleaner	*	56508444	1	Oil Pressure Switch
40	56507442	1	Hose, Air Intake	*	7-49-00038	1	Muffler
41	56507443	1	Bracket, Coil Mounting	*	56507722	1	Pump Drive 13T
42	56507444	4	Washer, Isolator Head	*	56508336	1	Belt, Vee
43	56507445	1	Bracket, Rear Engine Mount	*	56508355	1	Fuel Pump, Electronic
44	56507447	1	Bracket, Vaporizer Mount	*	56508460	1	Engine Operator Manual
45	56507448	5	Washer, Isolator Tail	*	56380493	1	Spark Plug Wire Kit – Cyl #1
47		1	Banjo Body	*	56380494	1	Spark Plug Wire Kit – Cyl #2
48		1	Banjo Bolt	*	56380495	1	Spark Plug Wire Kit – Cyl #3
49	56507496	1	Remote Oil Drain Outlet	*	56508455	1	Plug Wire / Coil Kit
50	56507497	1	Oil Drain Plug	*	56504531	1	Harness-Ignition-DF-WG972
51	56507721	1	Kubota DF972 Engine (LPG)	*	56504527	1	Gasket-Valve Cover-DF972 NOTE 3
	56507933	1	Kubota WG972 Engine (Petrol)	*	56382862	1	Coupling Pump Drive-Kubota
52	56507722	1	Bell Housing				
53	56507724	1	Air Cleaner				
*	7-24-04066	1	Air Filter Cartridge, Safety				
*	7-24-04065	1	Air Filter Cartridge, Primary				

NOTE 1: LPG models only.

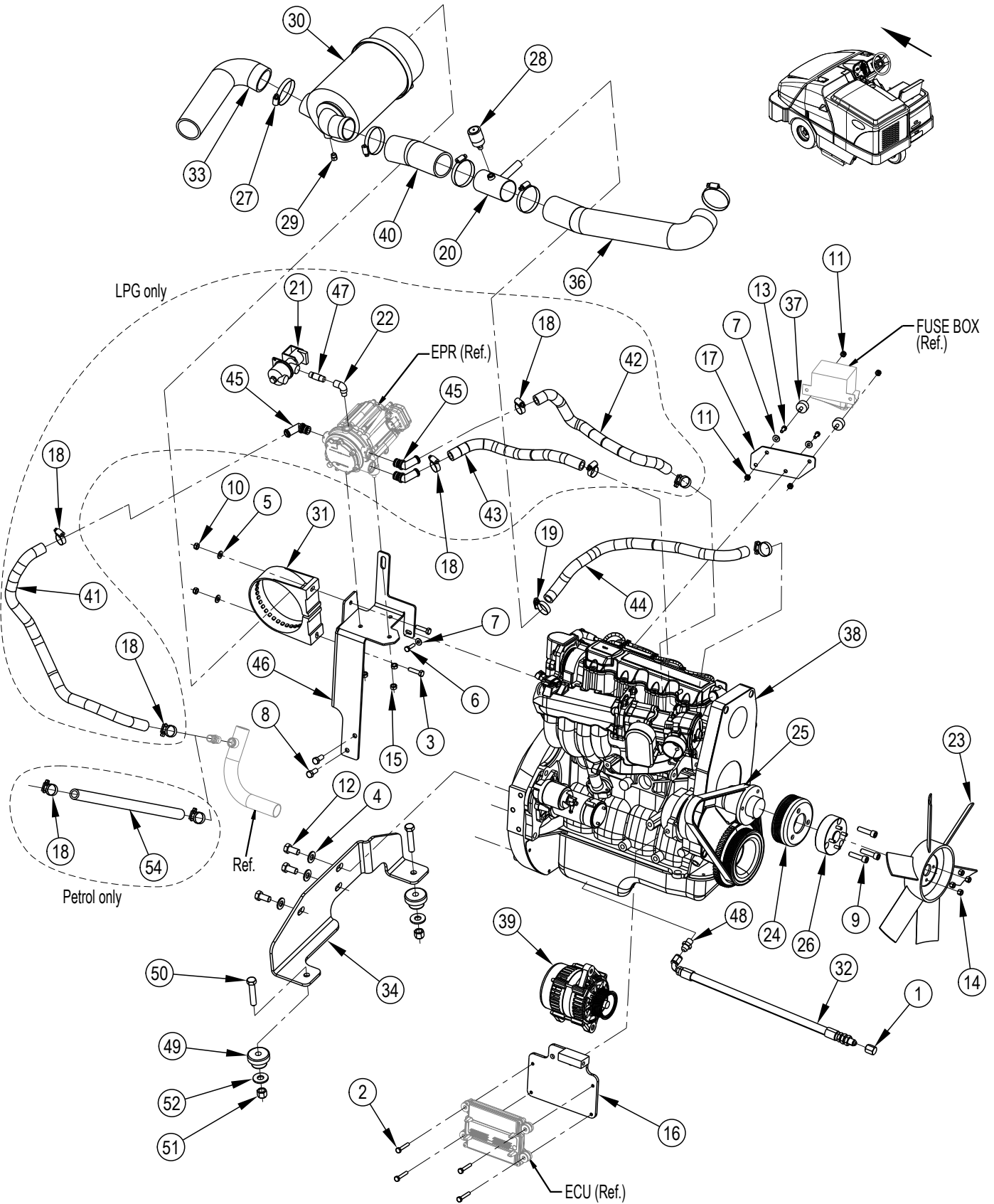
NOTE 2: Petrol models only.

NOTE 3: (after serial number 5W1583 (Nov. 2005))



06-12	ENGINE (KUBOTA) LPG/PETROL SYSTEM - 2		
09-1	Exterra™		25

Item	Ref. No.	Qty	Description
1	7-49-00038	1	Muffler
2	56001939	3	Wsh, Flt SAE 5/16
3	56002035	2	Scr, Hex 5/16-18 x .62
4	56002098	2	Wsh, Flt SAE 1/4
5	56002923	1	Scr, Hex Hd Loc 5/16-18 x .50
6	56003389	4	Nut, Hex Nyl Loc M8-1.25
7	56009019	2	Scr, Hex Thd Form 1/4-20 x .38
8	56131601	4	Clamp, Hose SAE #16
9	56343236	2	Clamp, Muffler 2.12
10	56419118	3	Clamp, Hose Band
11	56456833	1	Clamp, Muffler 2.25
12	56465028	1	Hose, Coolant Overflow
13	56507374	1	Hose, Upper Radiator
14	56507386	1	Hose, Lower Radiator
15	56507387	1	Bracket, Recovery Bottle
16	56507449	1	Shield, Exhaust Heat
17	56507728	1	Overflow Bottle
18	56507731	1	Exhaust Assembly
19	56507798	1	Hose, Coolant Overflow
20	56507871	1	Tail Pipe
21		1	Radiator Assy (See Radiator Assembly)
22	56508395	1	Bracket, Radiator Support
23	56508391	1	Clamp, Muffler
24	56003155	2	Scr, Hex M6-1 x 12mm
25	56508396	1	Bracket, Upper Radiator Iso Mount
26	56507372	1	Isolator, Engine
27	56002701	1	Nut, Hex Nyl Loc 5/16-18

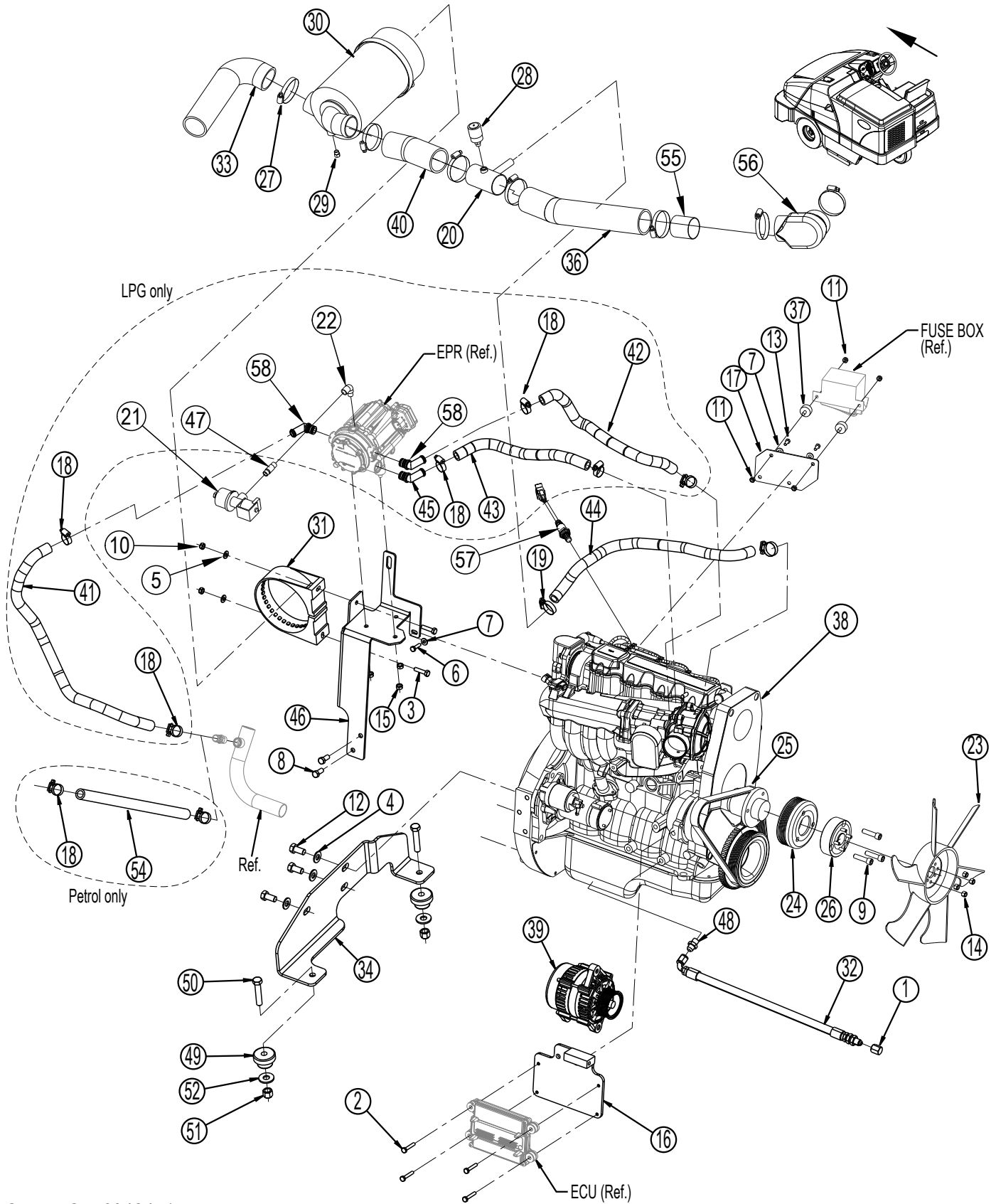


Item	Ref. No.	Qty	Description	ENGINE REPLACEMENT PARTS	
1	56900917	1	Cap, Flare Tube End	56305411	1 Thermostat Kit
2	56001833	4	Scr, Hex 1/4-20 X 1.50	7-11-04081	2 Sensor, 02
3	56001834	2	Scr, Hex 5/16-18 X 1.25	56109033	1 Throttle Body, Bosch 40mm
4	56001879	3	Wsh, Flt SAE 1/2	56109034	1 Gasket, Throttle Body
5	56001939	2	Wsh, Flt SAE 5/16	56305405	1 MAP Sensor
6	56002093	1	Scr, Hex 1/4-20 X 1.00	56305596	1 Plug Wire Kit
7	56002098	3	Wsh, Flt SAE 1/4	56305979	4 Spark Plug
8	56002271	2	Scr, Hex 3/8-16 X .88	56304794	1 Ignition Coil
9	56002316	3	Scr, Soc Hd 3/8-16 X 1.50	56305273	1 Alternator 70A
10	56002826	2	Nut, Hex Nyl Loc-Thin 5/16-18	# 56305275	1 Starter Motor
11	56002840	4	Nut, Hex Nyl Loc-Thin 1/4-20	56305404	1 Crank Pos Sensor
12	56003083	3	Scr, Hex Hd Loc 1/2-13 x 1.00	56305403	1 Coolant Sensor
13	56003174	2	Scr, Hex Thd To Hd M6-1 x 16mm	56305986	1 Water Pump
14	56003284	4	Nut, Hex Nyl Loc 1/4-28	56305272	1 Oil Filter Cartridge
15	56003352	3	Nut, Hex M8-1.25 (qty of 1 on Petrol models)	56305271	1 Exh Gasket Donut
16	56110592	1	Alternator Bracket Weldment	56305988	1 Timing Belt (Cam)
17	56110595	1	Bracket, Fuse Box	56305098	1 Oil Pressure Switch
18	56112771	6	Clamp, Hose SAE #10 (qty of 2 on Petrol models)	56305987	1 PCV Valve
19	56244969	2	Clamp, Hose SAE #12	56110454	1 Cat Con
20	56305240	1	Tube Weldment	56305401	1 Pump Drive 13t
21	56508936	1	Fuel Lockoff Valve NOTE 1	56504426	1 Manifold, Exhaust W/GSKT
22	56369632	1	Elbow, 90 Street NOTE 1	56504461	1 Sprocket, Crank
23	56418718	1	Fan	56504462	1 Sprocket, Camshaft
24	56419607	1	Sheave, Fan	56504463	1 Tensioner, Timing Belt
25	56419615	1	Belt, Fan	56504464	1 Gasket, Oil Pan
26	56419617	1	Fan Spacer Assy	56504465	1 Seal, Camshaft
27	56440213	5	Clamp, Hose SAE #32	56504466	1 Camshaft
28	56478461	1	Indicator, Service	56504467	1 Arm, Valve Rocker
29	56481546	1	Plug, Hex Pipe	56504480	1 Hose, PVC Elbow
30	56482478	1	Cleaner, Air	56504484	1 Tube, PVC Coolant Bypass
*	56482028	1	Air Filter Cartridge, Safety	56504488	1 Cover, Timing Belt Outer
*	56482029	1	Air Filter Cartridge, Primary	56504489	1 Cover, Timing Belt Inner T
31	56482621	1	Band Assy	56504490	1 Cover, Timing Belt Inner B
32	56507365	1	Hose, Hydraulic	56504491	1 Nut, Intake Manifold
33	56507366	1	Hose, Intake	56504494	A/R Plug, Injector
34	56507412	1	Bracket, Engine Mount	56504495	1 Plug, Map Sensor
36	56507438	1	Hose, Intake NOTE 1	56504499	1 Arm-Alternator Adjustment
	56508425	1	Hose, Intake NOTE 2	56504500	1 Bracket-Alternator Pivot
37	56507575	2	Isolator	56504501	1 Flywheel
38		1	Engine, GM 1.6L LP Assy NOTE 1	56504502	1 Pulley-Crank
		1	Engine, GM 1.6L Petrol Assy NOTE 2	56504503	1 Manifold-Intake
39	56507811	1	Alternator - 72 Amp	56504504	1 Dipstick-Oil
40	56507971	1	Hose, Connector	56504537	1 Tube-Dipstick
41	56507973	1	Hose, LP NOTE 1	56504505	1 Cover-Flywheel Housing
42	56507974	1	Hose, LP NOTE 1	56504506	1 Block-Engine Long
43	56507975	1	Hose, LP NOTE 1	56504512	A/R Adjuster-Hyd Valve Lash
44	56508945	1	Hose, Heater	56504518	1 Relay-Fuel Pump-GM
45	56507977	3	Fitting, LP Quick Connect NOTE 1	56504519	1 Seal-Oil Pump-GM 1.6L
46	56508002	1	Bracket, EPR Mount NOTE 1	56504526	1 Housing-Camshaft-GM1.6L
	56508424	1	Bracket, Air Cleaner NOTE 2	56504530	1 Cover-Camshaft-Housing
47	56750688	1	Nipple, 1/4NPT X 1.5 NOTE 1	56504543	1 Bracket-Crank Sensor
48	56900300	1	Connector, Male, Metric		
49	56478685	2	Mount, Rubber	Petrol Only	
50	56002533	2	Scr, Hex 1/2-13 x 2.50	56110914	1 Wire Harness
51	56002770	2	Nut, Hex Nyl Loc 1/2-13	56305274	4 Petrol Injector
52	56009115	2	Wsh, Flt Harden .594 x .375 x .134	56305062	1 Petrol Fuel Pump
54	56508426	1	Hose, Petrol NOTE 2	56306100	1 Fuel Rail
*	56110864	1	Wire Harness, LP Engine NOTE 1	56305412	1 Petrol Fuel Filter
*	56110914	1	Wire Harness, Petrol Engine NOTE 2	56508398	1 ECU Petrol
*	56508003	1	Harness, Gasoline Sensor NOTE 2	LPG Only	
				56110864	1 Wire Harness
				56306101	1 Mixer
				56109043	1 EPR
				56507815	1 ECU LPG
				56508936	1 Valve- Fuel Lockoff
				56305410	1 LPG Filter Cartridge

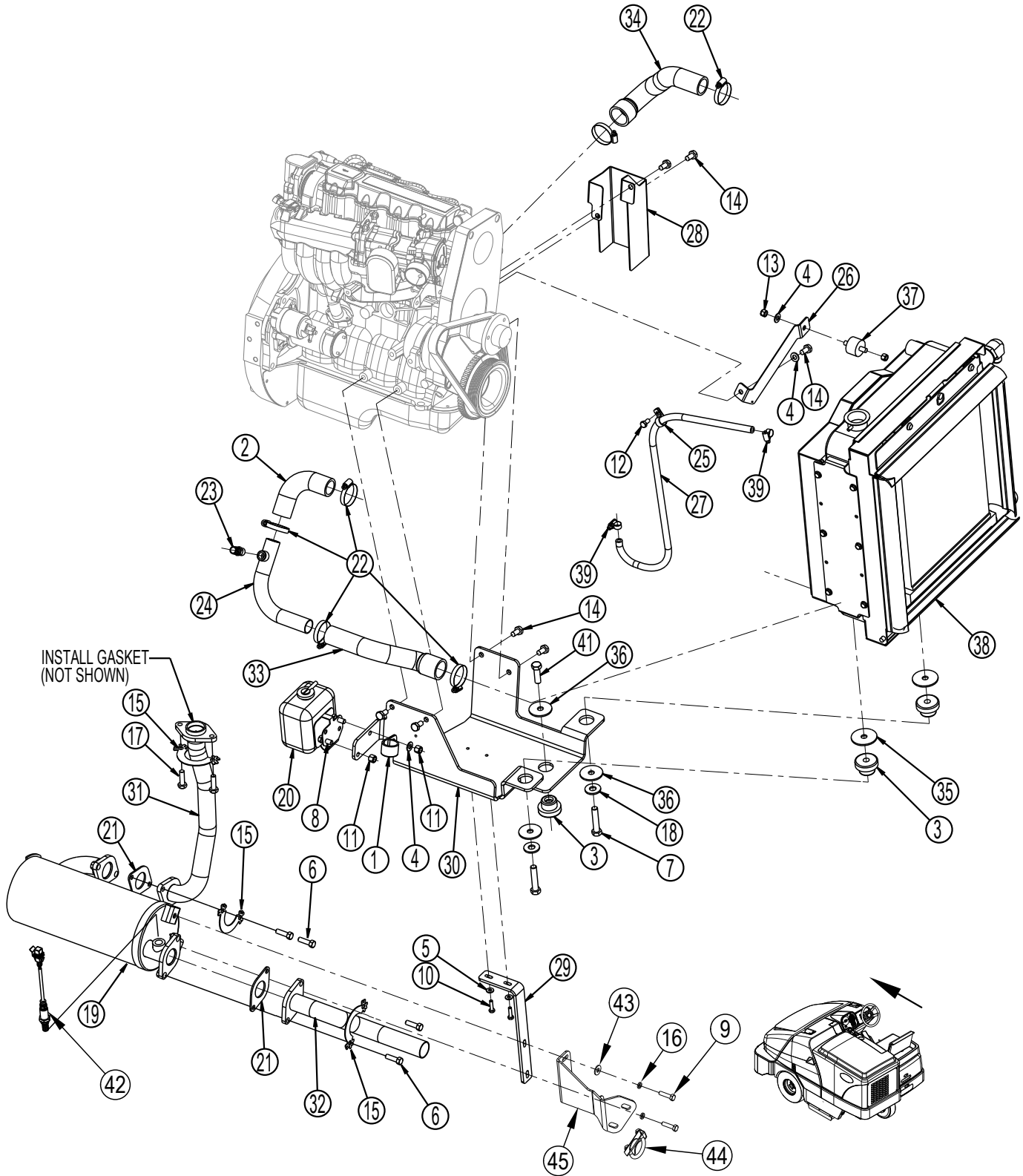
* = Not Shown

= Revised or new since last update

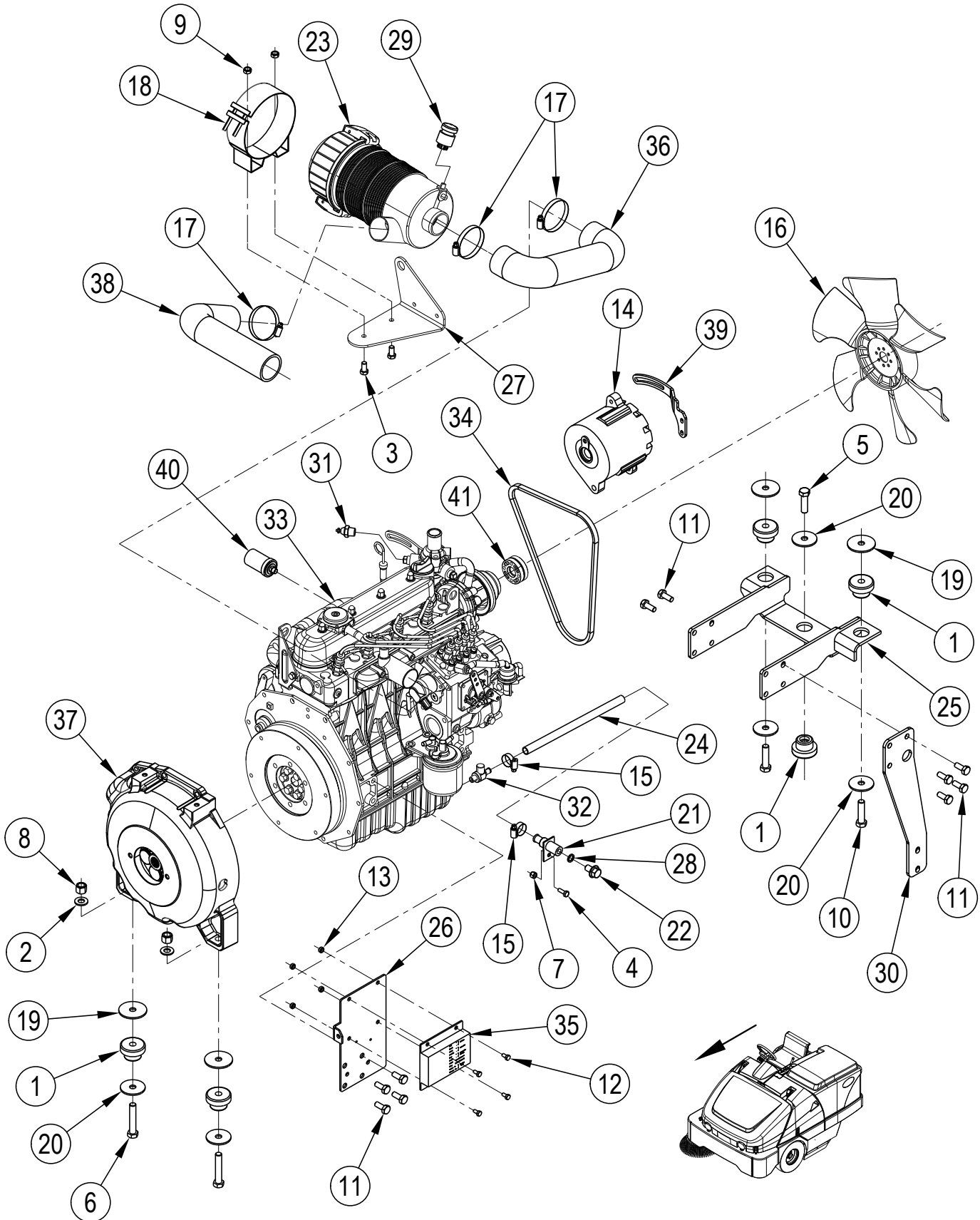
NOTE 1: Used on LPG models only.**NOTE 2:** Used on Gasoline/Petrol models only.



Item	Ref. No.	Qty	Description	ENGINE REPLACEMENT PARTS		ENGINE REPLACEMENT PARTS	
1	56900917	1	Cap, Flare Tube End	56305411	1	Thermostat Kit	
2	56001833	4	Scr, Hex 1/4-20 X 1.50	7-11-04081	2	Sensor-02	Petrol Only
3	56001834	2	Scr, Hex 5/16-18 X 1.25	56109033	1	Throttle Body, Bosch 40mm	56111881 1 Wire Harness
4	56001879	3	Wsh, Flt SAE 1/2	56109034	1	Gasket, Throttle Body	56305274 4 Petrol Injector
5	56001939	2	Wsh, Flt SAE 5/16	56305405	1	MAP Sensor	56305062 1 Petrol Fuel Pump
6	56002093	1	Scr, Hex 1/4-20 X 1.00	56305596	1	Plug Wire Kit	56306100 1 Fuel Rail
7	56002098	3	Wsh, Flt SAE 1/4	56305979	4	Spark Plug	56305412 1 Petrol Fuel Filter
8	56002271	2	Scr, Hex 3/8-16 X .88	56304794	1	Ignition Coil	56508398 1 ECU Petrol
9	56002316	3	Scr, Soc Hd 3/8-16 X 1.50	56305273	1	Alternator 70A	LPG Only
10	56002826	2	Nut, Hex Nyl Loc-Thin 5/16-18	56305275	1	Starter Motor	56111884 1 Wire Harness
11	56002840	4	Nut, Hex Nyl Loc-Thin 1/4-20	56305404	1	Crank Pos Sensor	56111879 1 Mixer
12	56003083	3	Scr, Hex Hd Loc 1/2-13 x 1.00	56305403	1	Coolant Sensor	56109043 1 EPR
13	56003174	2	Scr, Hex Thd To Hd M6-1 x 16mm	56305986	1	Water Pump	56111883 1 ECU LPG
14	56003284	4	Nut, Hex Nyl Loc 1/4-28	56305272	1	Oil Filter Cartridge	56508936 1 LPG Lockoff and Filter
15	56003352	3	Nut, Hex M8-1.25 (qty of 1 on Petrol models)	56305271	1	Exh Gasket Donut	56508939 1 LPG Filter Cartridge
16	56110592	1	Alternator Bracket Weldment	56305988	1	Timing Belt (Cam)	
17	NA	1	Bracket, Fuse Box	56305098	1	Oil Pressure Switch	* = Not Shown
18	56112771	6	Clamp, Hose SAE #10 (qty of 2 on Petrol models)	56305987	1	PCV Valve	# = Revised or new since last update
19	56244969	2	Clamp, Hose SAE #12	56305401	1	Pump Drive 13t	NOTE 1: Used on LPG models only.
20	56305240	1	Tube Weldment	56504426	1	Manifold, Exhaust W/GSKT	NOTE 2: Used on Gasoline/Petrol models only.
21	56508936	1	Fuel Lockoff Valve NOTE 1	56504461	1	Sprocket, Crank	
22	56369632	1	Elbow, 90 Street NOTE 1	56504462	1	Sprocket, Camshaft	
23	56418718	1	Fan	56504463	1	Tensioner, Timing Belt	
24	56419607	1	Sheave, Fan	56504464	1	Gasket, Oil Pan	
25	56419615	1	Belt, Fan	56504465	1	Seal, Camshaft	
26	56419617	1	Fan Spacer Assy	56504466	1	Camshaft	
27	56440213	5	Clamp, Hose SAE #32	56504467	1	Arm, Valve Rocker	
28	56478461	1	Indicator, Service	56504480	1	Hose, PVC Elbow	
29	56481546	1	Plug, Hex Pipe	56504484	1	Tube, PVC Coolant Bypass	
30	56482478	1	Cleaner, Air	56504488	1	Cover, Timing Belt Outer	
*	56482028	1	Air Filter Cartridge, Safety	56504489	1	Cover, Timing Belt Inner T	
*	56482029	1	Air Filter Cartridge, Primary	56504490	1	Cover, Timing Belt Inner B	
31	56482621	1	Band Assy	56504491	1	Nut, Intake Manifold	
32	56507365	1	Hose, Hydraulic	56504494	A/R	Plug, Injector	
33	56507366	1	Hose, Intake	56504495	1	Plug, Map Sensor	
34	56507412	1	Bracket, Engine Mount	56504499	1	Arm-Alternator Adjustment	
36	56508929	1	Hose, Intake NOTE 1	56504500	1	Bracket-Alternator Pivot	
	56508425	1	Hose, Intake NOTE 2	56504501	1	Flywheel	
37	56507575	2	Isolator	56504502	1	Pulley-Crank	
38		1	Engine, GM 1.6L LP Assy NOTE 1	56504503	1	Manifold-Intake	
		1	Engine, GM 1.6L Petrol Assy NOTE 2	56504504	1	Dipstick-Oil	
39	56507811	1	Alternator - 72 Amp	56504537	1	Tube-Dipstick	
40	56507971	1	Hose, Connector	56504505	1	Cover-Flywheel Housing	
41	56507973	1	Hose, LP NOTE 1	56504506	1	Block-Engine Long	
42	56507974	1	Hose, LP NOTE 1	56504512	A/R	Adjuster-Hyd Valve Lash	
43	56507975	1	Hose, LP NOTE 1	56504518	1	Relay-Fuel Pump-GM	
44	56508945	1	Hose, Heater	56504519	1	Seal-Oil Pump-GM 1.6L	
45	56507977	1	Fitting, LP Quick Connect NOTE 1	56504526	1	Housing-Camshaft-GM1.6L	
46	56508002	1	Bracket, EPR Mount NOTE 1	56504530	1	Cover-Camshaft-Housing	
	56508424	1	Bracket, Air Cleaner NOTE 2	56504543	1	Bracket-Crank Sensor	
47	56750688	1	Nipple, 1/4NPT X 1.5 NOTE 1	56380237	1	Sender-1.6L Oil Pressure	
48	56900300	1	Connector, Male, Metric	56381760	1	Coupling Kit (includes pump drive plate & bolts)	
49	56478685	3	Mount, Rubber	56381858	1	Pump Housing Kit (pump housing, flywheel housing cover, bolts & washers)	
50	56002533	2	Scr, Hex 1/2-13 x 2.50	56381856	1	Alternator Hardware Kit (spacer, nuts, washers & bolts)	
51	56002770	2	Nut, Hex Nyl Loc 1/2-13	56381864	1	Oil Pressure Sender Kit (Oil pressure sender & washer)	
52	56009115	2	Wsh, Flt Harden .594 x .375 x .134	56381863	1	TMAP Sensor Kit (Sensor & bolt)	
54	56508426	1	Hose, Petrol NOTE 2	56381874	1	Throttle Body Adapter Kit (adapter & bolts)	
*	56111884	1	Wire Harness, LP Engine NOTE 1	56381875	1	Mixer Adapter Kit (adapter & bolts)	
*	56111881	1	Wire Harness, Petrol Engine NOTE 2	56381876	1	LP Air Intake Kit (adapter & hose clamp)	
*	56508003	1	Harness, Gasoline Sensor NOTE 2	56381877	1	Mixer Hardware Kit (fittings, plug, bolts, washers, studs & nuts)	
55	NA	1	Adapter-Intake TB	56381878	1	EPR Hardware Kit (fittings, plug & retainer pins)	
56	56111892	1	Elbow-90 Degree Reducer	56381879	1	EPR Water Out Hose Kit (hose & clamps)	
57	7-11-04081	1	Sensor-02	56381880	1	EPR Water In Hose Kit (hose & clamps)	
58	56508951	2	Fitting-70 Deg 5/8 Hose	56381881	1	EPR Vapor Hose Kit (Loom, hose & clamps)	
				56381882	1	EPR Vacuum Hose Kit (Loom, hose & clamps)	
				56381883	1	PVC Hose Kit (hose clamp, hose, tube, bolts & gasket)	
				56381884	1	Cr/Shf Position Sensor Kit (hose clamp, hose, tube, bolts & gasket)	
				56381885	1	Oil Pressure Rlf Valve Kit (spring, bore plug, valve & gasket)	
				56381886	1	Dipstick Kit (dipstick tube & seal)	
				56381833	1	Bracket-Upper Alternator	
				56381866	1	Hose-12 In	
				56381868	1	Fitting-Throttle Body	
				56381870	1	Spacer-Throttle Body	
				56381872	1	Gasket-Throttle Body	

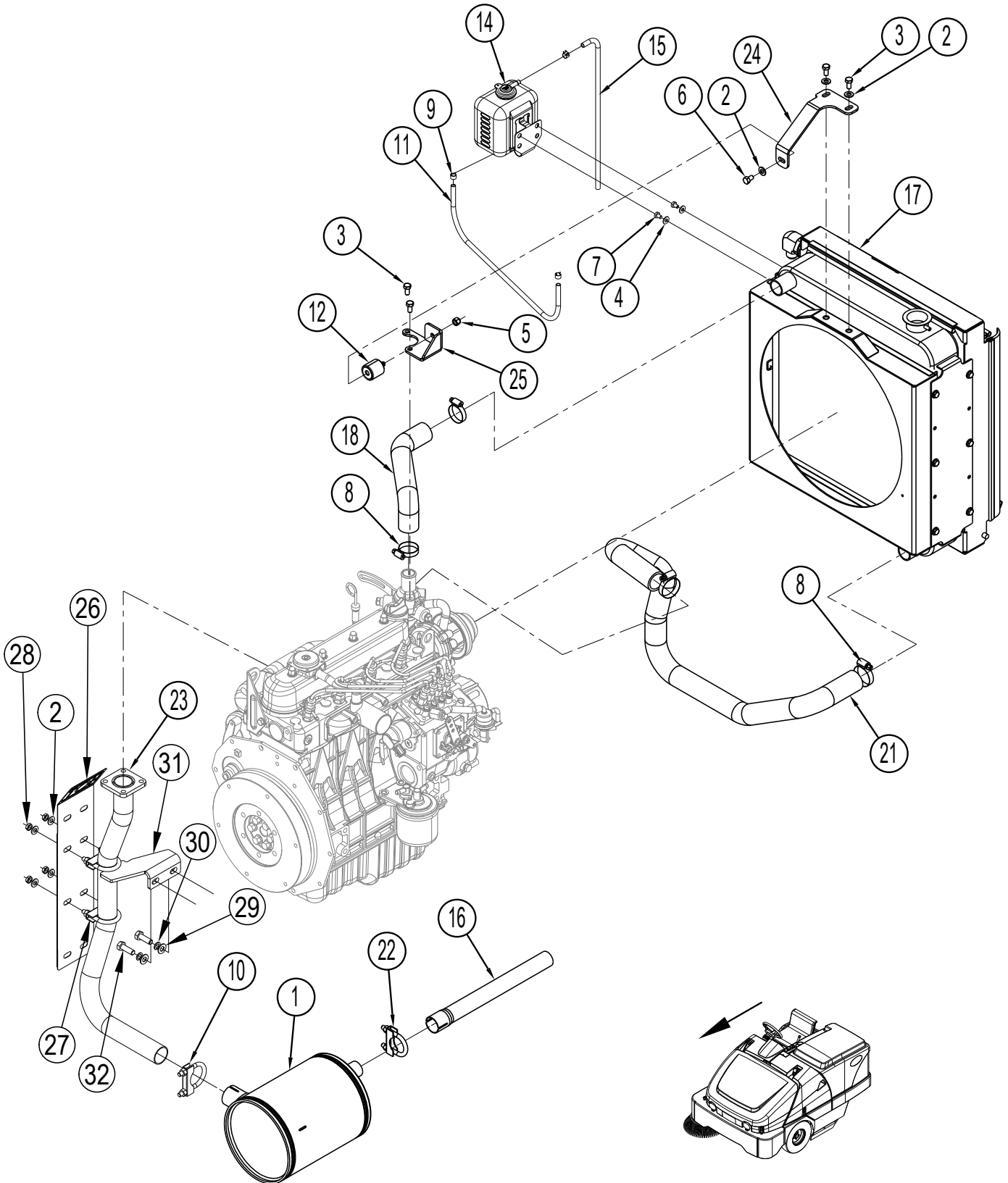


Item	Ref. No.	Qty	Description
1	56409463	1	Clamp, 1.25 Hose Support
2	56418227	1	Hose, Lower Radiator
3	56478685	3	Mount, Rubber
4	56002063	3	Wsh, Flt SAE 3/8
5	56002098	2	Wsh, Flt SAE 1/4
6	56002254	4	Scr, Hex 3/8-24 X 1.25
7	56002533	2	Scr, Hex 1/2-13 X 2.50
8	56002663	2	Scr, Hex 3/8-16 X 1.00
9	56001834	2	Scr, Hex 5/16-18 X 1.25
10	56009018	2	Scr, Hex Thd Form 1/4-20 X .75
11	56002769	2	Nut, Hex Nyl Loc 3/8-16
12	56003178	1	Scr, Hex M8-1.25 X 16mm
13	56003389	2	Nut, Hex Nyl Loc M8-1.25
14	56003442	7	Scr, Hex Loc M10-1.5 X 20mm
15	56111634	3	Lock-Screw
16	56003685	2	Wsh, Nord-Lock M8
17	56003694	2	Scr, Hex M10-1.5 X 35mm Class 10.9
18	56009115	2	Wsh, Flt Harden .594 x 1.375 x .134
19	56110454	1	Catalytic Converter (before January 2010)
	56111876	1	Catalytic Converter (after December 2009)
20	7-07-02002	1	Bottle, Overflow
21	56305549	2	Gasket, Exhaust
22	56329145	6	Clamp, Hose SAE #24
23	56456436	1	Barb, Adapter 5/8 X 3/8 NPT
24	56460213	1	Weldt Tube, Lower Radiator
25	56486112	1	Clamp, P
26	56507120	1	Bracket, Radiator
27	56507121	1	Hose, Radiator Overflow
28	56507364	1	Heat Shield
29	56507399	1	Strap, Muffler
30	56507419	1	Bracket, Engine Radiator Mount
31	56507426	1	Tube, Exhaust
32	56507427	1	Tube, Exhaust
33	56507436	1	Hose, Lower Radiator
34	56507437	1	Hose, Upper Radiator
35	56507444	2	Washer, Isolator Head
36	56507448	3	Washer, Isolator Tail
37	56507573	1	Isolator
38		1	Radiator Assy (See Radiator Assembly)
39	56756364	2	Clamp, Hose SAE #4
41	56001995	1	Scr, Hex 1/2-13 x 1.75
42	7-11-04081	1	Sensor-02
43	56002220	2	Wsh-Flt STD 5/16
44	2-00-04040	1	Clamp - Muffler 1 1.4
45	56382690	1	Bracket-Muffler Kit-1.6L GM
[]	56111634	3	Lock-Screw



Item	Ref. No.	Qty	Description	ENGINE REPLACEMENT PARTS			
1	56478685	5	Mount, Rubber	*	56463590	1	Glow Plug Timer
2	56001879	2	Wsh, Flt SAE 1/2	*	56110738	1	Alternator 105A
3	56002127	2	Scr, Hex 3/8-16 X .75	*	56419086	1	Fuel Filter Cartridge
4	56002155	1	Scr, Hex 1/4-20 X .75	*	56508487	1	Oil Filter Cartridge
5	56001995	1	Scr, Hex 1/2-13 X 1.75	*	56508393	1	Belt, Vee
6	56002533	2	Scr, Hex 1/2-13 X 2.50	*	56419088	1	Thermostat Assembly
7	56002708	1	Nut, Hex Nyl Loc 1/4-20	*	56508489	1	Thermostat Gasket
8	56002770	2	Nut, Hex Nyl Loc 1/2-13	*	56419089	1	Starter Motor
9	56002841	2	Nut, Hex Nyl Loc-Thin 3/8-16	*	56508444	1	Oil Pressure Switch
10	56002983	2	Scr, Hex 1/2-13 X 2.00	*	56419091	1	Switch, Temp
11	56003019	10	Scr, Hex M10-1.25 X 25mm	*	56508490	1	Throttle/Shut Down Assembly
12	56003155	4	Scr, Hex M6-1 X 12mm	*	56508355	1	Fuel Pump Assembly
13	56003744	4	Nut, Self-Clinching M6-1	*	56508470	1	Engine Operator Manual
14	56110738	1	Alternator, 105 Amp	*	56504545	1	Seal-Crank Oil Front
15	56219932	2	Clamp, Hose SAE #6	*	56504546	1	Seal-Crank Oil Rear
16	56510140	1	Fan	*	56382861	1	Coupling Pump Drive-Kubota
17	56456797	3	Clamp, Hose SAE #36				
18	56507389	1	Band, Air Cleaner				
19	56507444	4	Washer, Isolator Head				
20	56507448	5	Washer, Isolator Tail				
21	56507496	1	Remote Oil Drain Outlet				
22	56507497	1	Oil Drain Plug				
23	56507724	1	Air Cleaner				
*	7-24-04066	1	Air Filter Cartridge, Safety				
*	7-24-04065	1	Air Filter Cartridge, Primary				
24	56507964	1	Hose, Remote Oil Drain				
25	56507988	1	Bracket, Engine Mount, Diesel				
26	56507991	1	Bracket, Fuel Pump				
27	56508938	1	Bracket, Air Cleaner				
28	56507998	1	Seal				
29	56507999	1	Indicator, Air				
30	56508212	1	Bracket, Muffler Hanger				
31	56419091	1	Switch, Temp				
32	56508375	1	Engine Oil Drain Valve				
33		1	Engine, 4 Cyl Diesel				
34	56508393	1	Belt, Vee				
35	56508400	1	Governor Controller				
36	56508402	1	Hose, Air Intake				
37	56508403	1	Bell Housing				
38	56508404	1	Hose, Air Intake				
39	56508429	1	Bracket, Alternator Diesel				
*	56508004	1	Harness, Kubota Diesel				
40	56508444	1	Switch, Pressure				
41	56508941	1	Spacer-Fan				

* = Not Shown

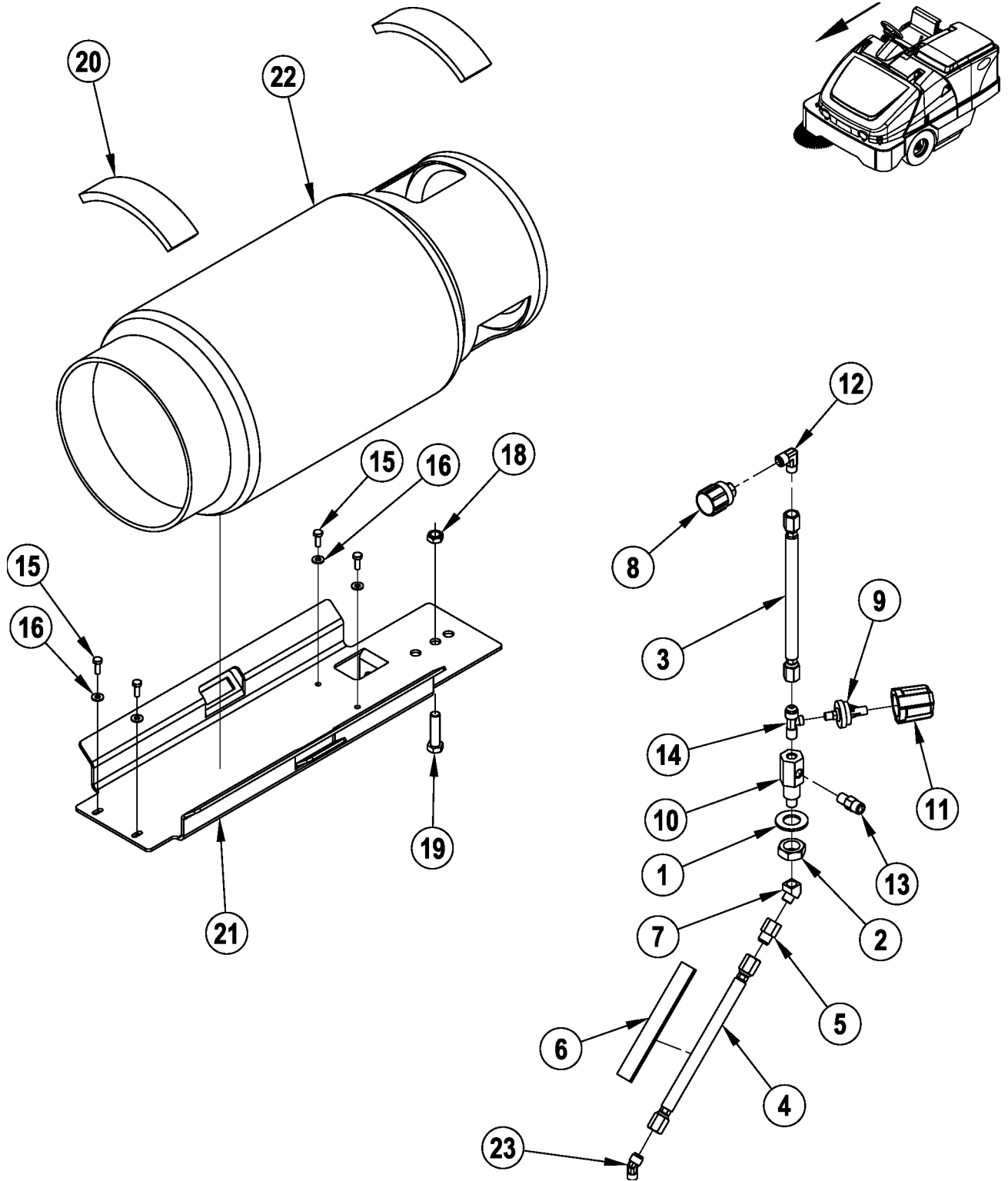


Item	Ref. No.	Qty	Description
1	7-49-00038	1	Muffler
2	56001939	7	Wsh, Flt SAE 5/16
3	56002035	4	Scr, Hex 5/16-18 X .62
4	56002098	2	Wsh, Flt SAE 1/4
5	56002701	1	Nut, Hex Nyl Loc 5/16-18
6	56002923	1	Scr, Hex Hd Loc 5/16-18 x .50
7	56009019	2	Scr, Hex Thd Form 1/4-20 x .38
8	56131601	5	Clamp, Hose SAE #16
9	56419118	3	Clamp, Hose Band
10	56456833	1	Clamp, Muffler 1.62
11	56465028	1	Hose, Coolant Overflow
12	56507372	1	Isolator, Engine
14	7-07-02002	1	Overflow Bottle
15	56507798	1	Hose, Coolant Overflow
16	56507871	1	Tail Pipe
17		1	Radiator Assy (See Radiator Assembly)
18	56508378	1	Hose, Upper Radiator
21	56508942	1	Hose, Lower Radiator NOTE 2
	56381962	1	Hose Lower Radiator NOTE 3
22	56508391	1	Clamp, Muffler
23	56508397	1	Exhaust Assembly
24	56508427	1	Bracket, Radiator Support
25	56508428	1	Bracket, Radiator Iso Support
26	56507449	1	Shield, Exhaust Heat
27	56343236	2	Clamp, Muffler 1.50
28	56009086	4	Nut, Hex Jam 5/16-18
29	56002063	2	Wsh, Flt SAE 3/8 NOTE 1 / TSBUS2008-1016
30	2-00-02310	2	Lk Wash Helical Spr Zn NOTE 1 / TSBUS2008-1016
31	56508910	1	Exhaust Pipe Bracket NOTE 1 / TSBUS2008-1016
32	2-00-05961	2	Screw Hhc M10 X 1.25 X 30mm NOTE 1 / TSBUS2008-1016

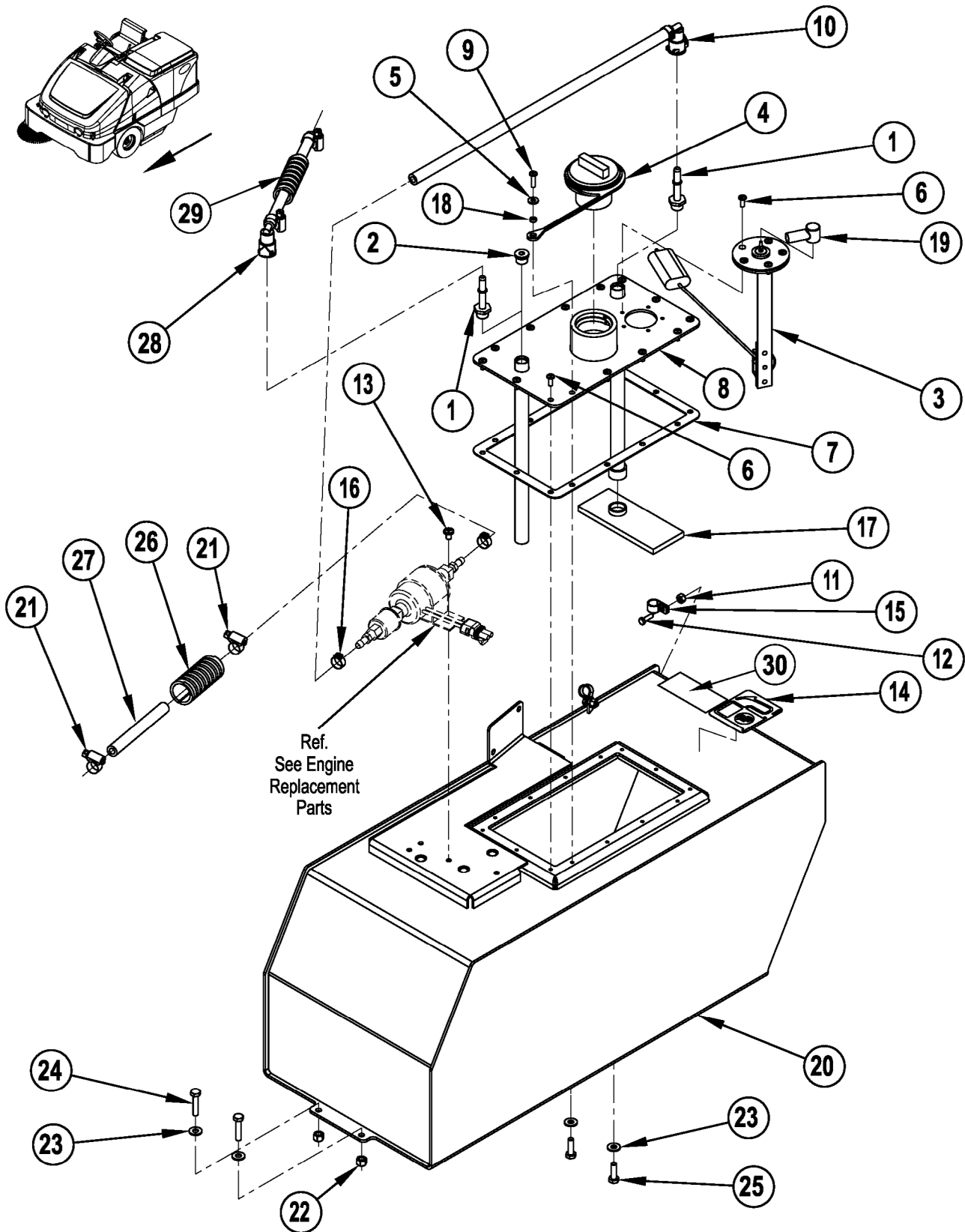
NOTE 1: All machines after serial number 1000000040.

NOTE 2: For machines built before SN 1000036138 (used two piece lower radiator hose) order Lower Radiator Hose Kit 56381960 for replacement.

NOTE 3: Replacement part for rubber elbow which connects directly to the water pump.



Item	Ref. No.	Qty	Description
	56507347	1	LPG Filter Assembly (items 1-14) (used on Non-Cab models only)
1	56002228	1	Wsh, Flt SAE 7/8
2	56002615	1	Nut, Hex Jam 7/8-14
3	56305503	1	Hose Assy
4	56305504	1	Hose Assy
5	56305505	1	Adapter-SAE 45 Deg.
6	56305506	1	Conduit
7	56368938	1	Elbow-45 Street
8	56369675	1	Coupler-Female
9	56418381	1	Switch-N.C. Pressure
10	56418934	1	Fitting-Bulkhead
11	56419241	1	Dust Boot
12	56456608	1	Elbow-Male 90
13	56456624	1	Vent-1/4 NPT
14	56900921	1	Tee 1/4 NPT X 1/8 NPT X 3/8 JIC
	56507057	1	LP Tank Assy (items 15-22) (used on both Cab & Non-Cab models)
15	56009033	4	Scr, Hex Thd Form 1/4-20 x .50
16	56002098	4	Wsh, Flt SAE 1/4
18	56002843	1	Nut, Hex Nyl Loc-Thin 1/2-13
19	56003740	1	Scr, Hex Thd To Hd 1/2-13 x 2.00
20	56507336	2	Gasket, LP Tank Mtg
21	56507558	1	Support, LP Tank
22	56456590	1	LP Tank, 33lb.
23	56456598	1	Elbow, 45 Male 45 Flared



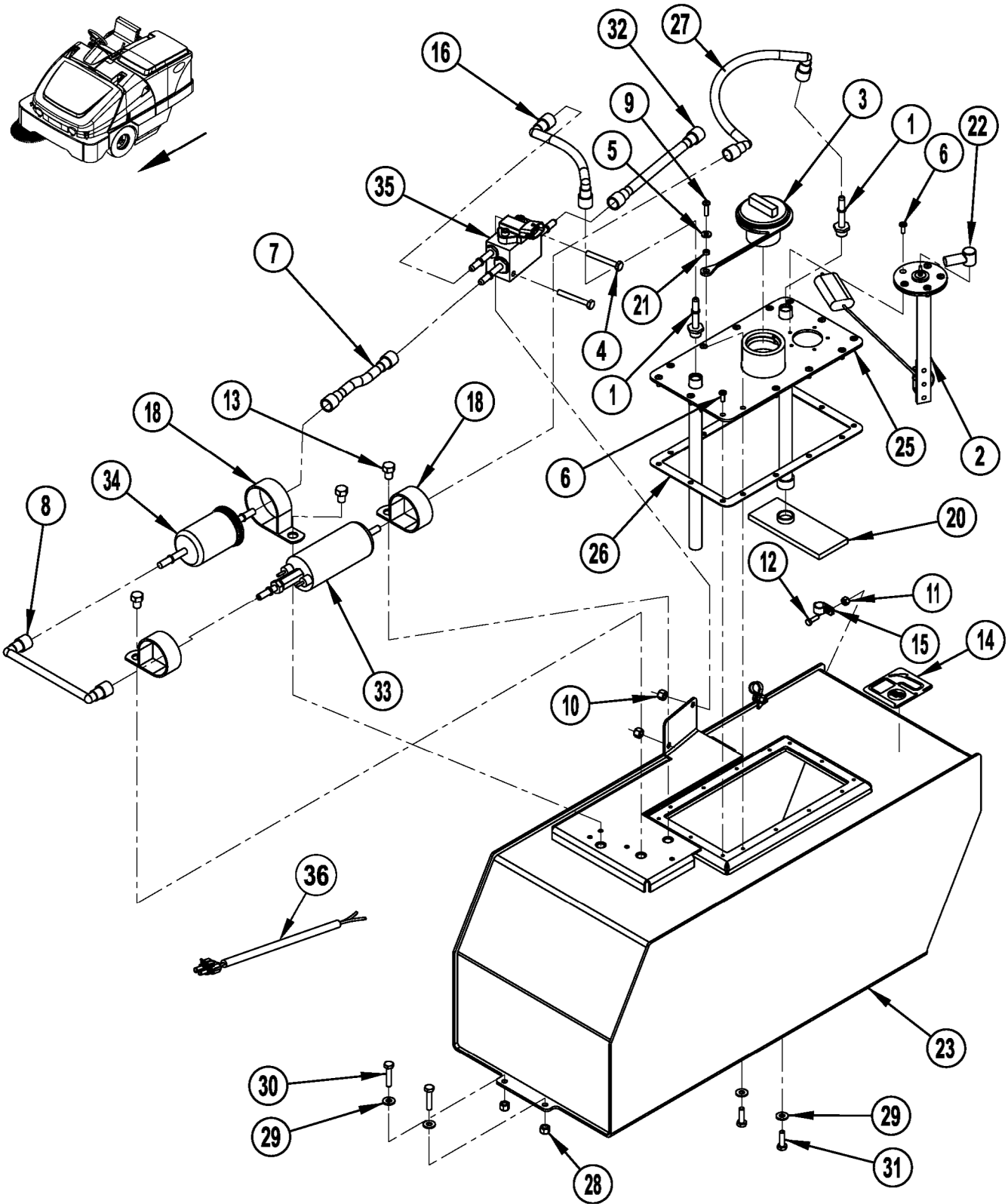
06-12	ENGINE (KUBOTA) PETROL/DIESEL FUEL TANK ASSY(NON CAB MODELS)		
09-1	Exterra™		39

Item	Ref. No.	Qty	Description
	56507936	1	Tank, Petrol Assembly (items 1-20) NOTE 1
	56508333	1	Tank Diesel Assembly (items 1, 3-20) NOTE 2
1	7-11-04083	1	-6 SAE x 5/16 Quick Connect Fitting (qty of 2 on diesel models)
2	56418776	1	Plug, Hex Soc O-Ring NOTE 1
3	56478358	1	Sender, Fuel Level
4	56508354	1	Fuel Cap
5	56001954	1	Wsh, Flt SAE #10
6	56001993	18	Scr, Pan Phil 10-24 x .50
7	56508349	1	Gasket, Cover
8	56508348	1	Cover Plate Weldt
9	56002192	1	Scr, Pan Phil 10-24 x .75
10	56507957	1	Hose Assy
11	56002768	2	Nut, Hex Nyl Loc 10-24
12	56002829	2	Scr, Hex 10-24 x .62
13	56003603	1	Scr, Pan Phil Thd Form 1/4-20 x .38
14	56016226	1	Decal, Unleaded Fuel NOTE 1
	56025454	1	Decal, Diesel Fuel NOTE 2
15	56056903	2	Clamp, P
16	56508515	1	Clamp (qty of 2 on diesel models)
17	56419307	1	Strainer, Fuel
18	56454275	1	Bushing, .20 x .31 x .12
19	56492305	1	Boot, Rubber
20	56507946	1	Fuel Tank Weldt
21	56756364	2	Clamp, Hose SAE #4 NOTE 1
22	56002708	2	Nut, Hex Nyl Loc 1/4-20
23	56002098	4	Wsh, Flt SAE 1/4
24	56002047	2	Scr, Hex Thd To Hd 1/4-20 x 1.25
25	56001821	2	Scr, Hex 1/4-20 x .88
26	56508357	1	Conduit
27	56508358	1	Hose, Fuel Line
28	56508646	1	Hose Assembly NOTE 2
29	56508654	1	Conduit NOTE 2
30	56109404	1	Decal, Low Sulfur Diesel NOTE 2

* = Not Shown

NOTE 1: Only used on Petrol/Gasoline models.

NOTE 2: Only used on Diesel models.



06-12	ENGINE (GM) PETROL FUEL TANK ASSY(NON CAB MODELS)		
10-12	Exterra™		41

Item	Ref. No.	Qty	Description
	56507960	1	Tank, Petrol Assembly (items 1-27)
1	7-11-04083	2	-6 SAE x 5/16 Quick Connect Fitting
2	56478358	1	Sender, Fuel Level
3	56508354	1	Fuel Cap
4	56001874	2	Scr, Hex 1/4-20 x 2.00
5	56001954	1	Wsh, Flt SAE #10
6	56001993	18	Scr, Pan Phil 10-24 x .50
7	56508353	1	Fuel Hose Assy
8	56508352	1	Fuel Hose Assy
9	56002246	1	Scr, Pan Phil 10-32 x .75
10	56002708	2	Nut, Hex Nyl Loc 1/4-20
11	56002768	2	Nut, Hex Nyl Loc 10-24
12	56002829	2	Scr, Hex 10-24 x .62
13	56003023	3	Scr, Hex Hd Loc 3/8-16 x .50
14	56016226	1	Decal, Unleaded Fuel
15	56056903	2	Clamp, P
16	56508351	1	Fuel Hose Assy
18	56305492	3	Clamp, P
20	56419307	1	Strainer, Fuel
21	56454275	1	Bushing, .20 x .31 x .12
22	56492305	1	Boot, Rubber
23	56507946	1	Fuel Tank Weldment
25	56508348	1	Cover Plate Weldment
26	56508349	1	Gasket, Cover
27	56508350	1	Fuel Hose Assy
28	56002708	2	Nut, Hex Nyl Loc 1/4-20
29	56002098	4	Wsh, Flt SAE 1/4
30	56002047	2	Scr, Hex Thd To Hd 1/4-20 X 1.25
31	56001821	2	Scr, Hex 1/4-20 X .88
32	56508407	1	Fuel Hose Assy
33	56305062	1	Fuel Pump Assy
34	56305412	1	Fuel Filter, Pressure
35	56507951	1	Manifold, Fuel
36	56305790	1	Jumper, Fuel Pump

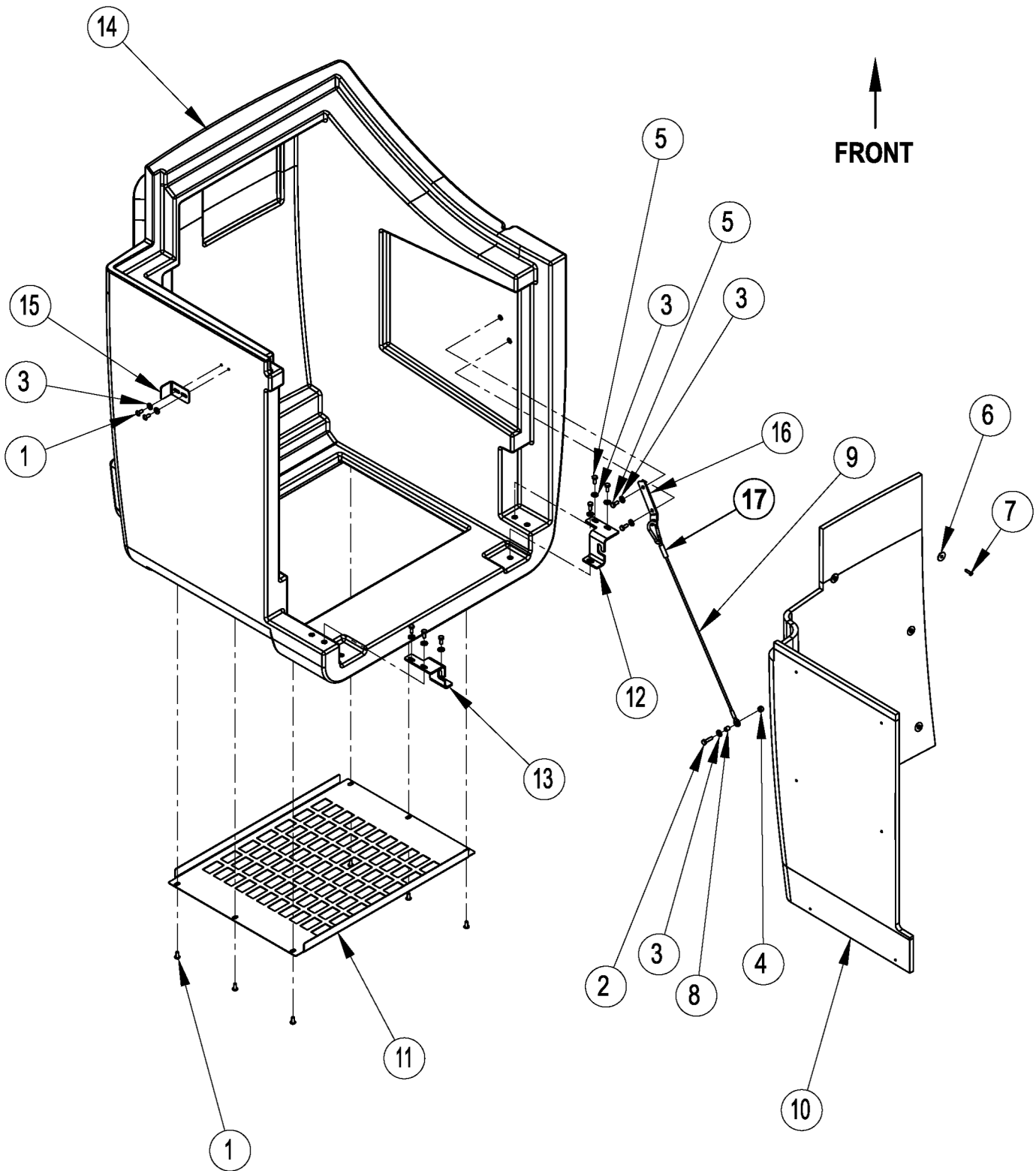
ENGINE REAR COVER ASSEMBLY

06-12

42

Exterra™

07-8



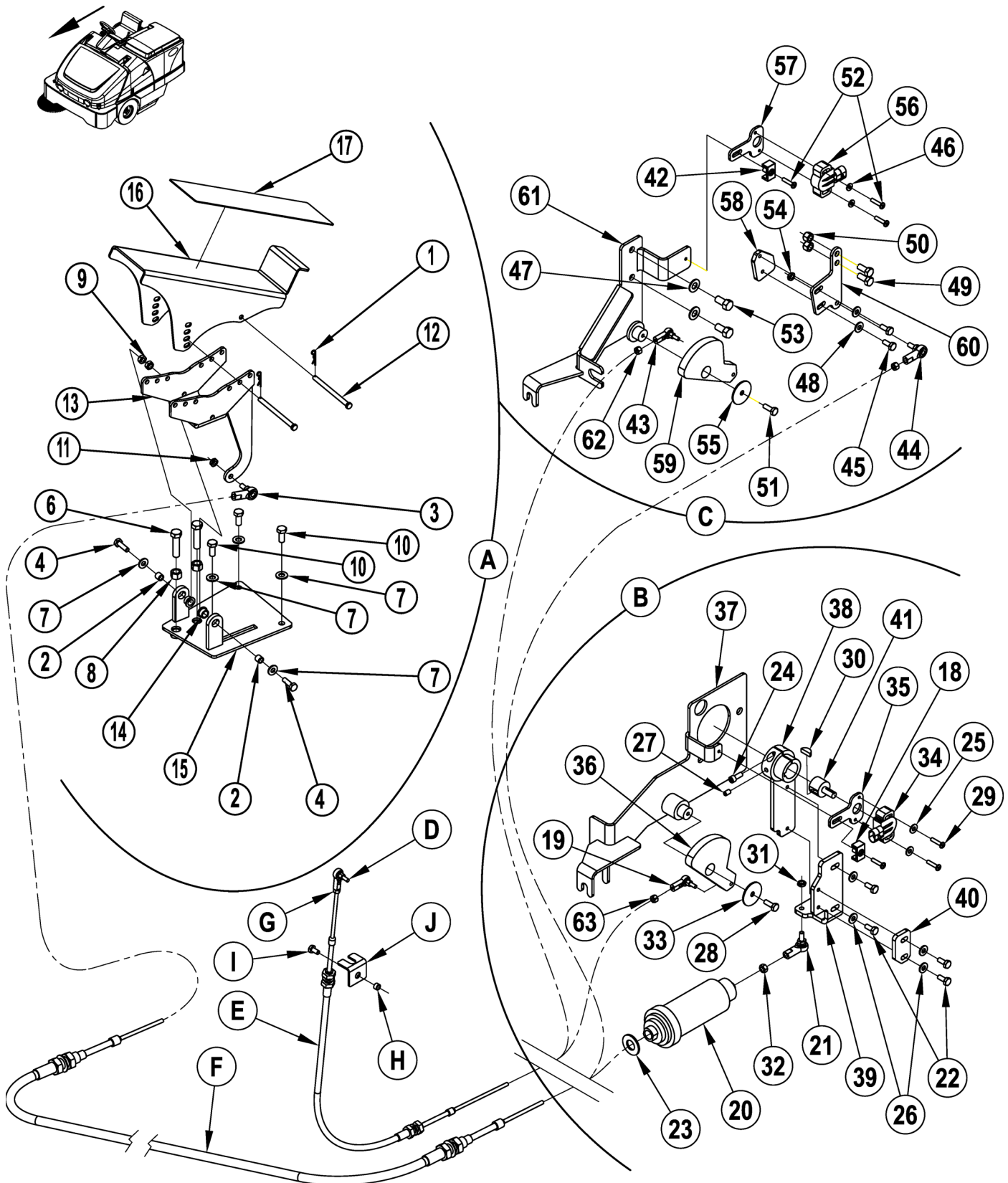
06-12

ENGINE REAR COVER ASSEMBLY

07-8

Exterra™**43**

Item	Ref. No.	Qty	Description
	56507877	1	Cover, Rear Assy (grey) (items 1-16)
	56508675	1	Cover, Rear Assy (green / Advance model 56307252) (items 1-19)
1	56009120	8	Scr Pan Phil SS Type B 1/4-14 x .62
2	56002093	1	Scr, Hex 1/4-20 x 1.00
3	56002098	11	Wsh, Flt SAE 1/4
4	56002708	1	Nut, Hex Nyl Loc 1/4-20
5	56002922	8	Scr, Hex Hd Loc 1/4-20 x .62
6	56009002	13	Wsh, Flt .266 x .906 x .060
7	56009005	13	Scr, Pan Phil SS Type AB 10-16 x .75
8	56321532	1	Bushing .25 x .37 x .40
9	56508335	1	Cable Assembly
10	56507339	1	Foam Insulation
11	56507400	1	Shroud, Radiator (grey)
	56508667	1	Shroud, Radiator (green / Advance model 56307252)
12	56507401	1	Bracket, Engine Cover
13	56507402	1	Bracket, Engine Cover
14	56507566	1	Engine Cover Assy (grey)
	56508671	1	Engine Cover Assy (green / Advance model 56307252)
15	56507584	1	Bracket, Engine Cover Clamp
16	56508181	1	Bracket, Eng. Hood
17	56508774	1	Shrink Tube .75 x 2.5



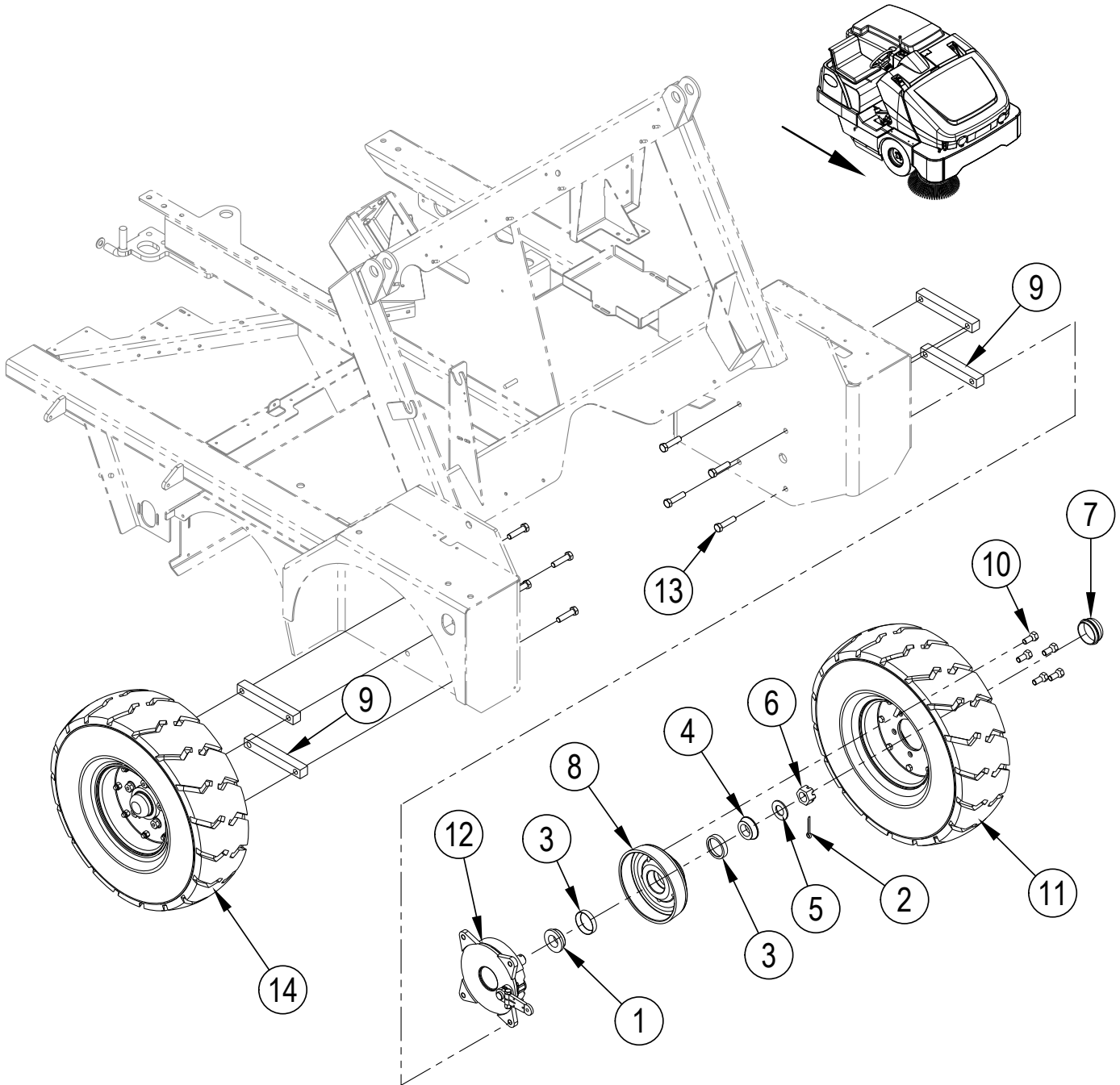
Item	Ref. No.	Qty	Description	Item	Ref. No.	Qty	Description
	56507049	1	FWD / REV 4 Cyl Control Assembly (A, B, D-J)	C	56507135	1	Pump Control Assembly (items 42-62) NOTE 3
	56507134	1	FWD / REV 3 Cyl Control Assembly (A, C-G)	42	56111895	1	Guide-Encoder NOTE 4
				43	56488290	1	Rod End
A	56507647	1	Foot Pedal Assembly (items 1-17) NOTE 1	44	56463720	1	Rod End
1	56003332	2	Pin, Cot Hair .042 x .188	45	56001836	2	Scr, Hex 1/4-20 x .62
2	56151106	2	Bushing	46	56002140	2	Wsh, Flt SAE #8
3	56463720	1	Rod End	47	56002063	2	Wsh, Flt SAE 3/8
4	56001821	2	Scr, Hex 1/4-20 x .88	48	56002098	2	Wsh, Flt SAE 1/4
6	56002747	2	Scr, Hex Thd to Hd 3/8-16 x 1.50	49	56002667	2	Scr, Hex 5/16-18 x .75
7	56002098	5	Wsh, Flt SAE 1/4	50	56002701	2	Nut, Hex Nyl Loc 5/16-18
8	56002123	2	Nut, Hex Machine 3/8-16	51	56002922	1	Scr, Hex Hd Loc 1/4-20 x .62
9	56002840	2	Nut, Hex Nyl Loc-Thin 1/4-20	52	56002996	3	Scr, Pan Phil 10-32 x .88
10	56002948	3	Scr, Hex Hd Loc 1/4-20 x .75	53	56003079	2	Scr, Hex Hd Loc 3/8-16 x .75
11	56003626	1	Nut, Hex Nyl Loc-Thin 1/4-28	54	56003626	1	Nut, Hex Nyl Loc-Thin 1/4-28
12	56003669	2	Pin, Clevis .25 x 3.50	55	56009225	1	Wsh, Fender .281 x 1.50 x .074
13	56304375	1	Pedal Weldment	56	56305129	1	Rotary Sensor
14	56304554	2	Bearing, Fl .500 x .375 x .313	57	56305980	1	Plate-Sensor NOTE 4
15	56507098	1	Plate, Foot Throttle	58	56418613	1	Plate, Cam
16	56507133	1	Foot Pedal	59	56419337	1	Cam, Nylon
17	56507227	1	Mat, Pedal	60	56507545	1	Control Arm Lever
				61	56507650	1	Throttle Control Bracket
B	56507541	1	Pump Control Assembly (items 18-41, 63) NOTE 2	62	56001987	2	Nut, Hex Machine 10-32
18	56111895	1	Guide-Encoder NOTE 4	D	56488290	1	Rod End NOTE 1
19	56488290	1	Rod End	E	56418615	1	Cable, Push-Pull Control NOTE 1
20	56455799	1	Hydroback	F	56507648	1	Cable, Push-Pull Control NOTE 1
21	56463720	1	Rod End	G	56001987	1	Nut, Hex Machine 10-32 NOTE 1
22	56001836	4	Scr, Hex 1/4-20 x .62	H	56379298	1	Bushing NOTE 1
23	56002022	1	Wsh, Flt SAE 5/8	I	56003039	1	Scr, Hex Hd Loc 1/4-20 x .50 NOTE 1
24	56002032	1	Scr, Soc Hd 1/4-20 x 0.62	J	56508500	1	Bracket, Speed Limit Cable NOTE 1
25	56002053	2	Wsh, Flt Std #10				
26	56002098	4	Wsh, Flt SAE 1/4				
27	56002930	1	Scr, Soc Set Loc 1/4-20 x .38				
28	56002948	1	Scr, Hex Hd Loc 1/4-20 x .75				
29	56002996	3	Scr, Pan Phil 10-32 x .88				
30	56003230	1	Key, Wdf .75 x .25				
31	56003626	1	Nut, Hex Nyl Loc-Thin 1/4-28				
32	56009142	1	Nut, Hex Machine 1/4-28				
33	56009225	1	Wsh, Fender .281 x 1.50 x .074				
34	56305129	1	Rotary Sensor				
35	56305980	1	Plate-Sensor NOTE 4				
36	56419337	1	Cam, Nylon				
37	56507124	1	RTN Bracket				
38	56507126	1	Lever Weldment				
39	56507152	1	Lever				
40	56507153	1	Plate, Cam				
41	56507979	1	Adapter, Shaft				
63	56001987	1	Nut, Hex Machine 10-32				

NOTE 1: Used on all models.

NOTE 2: Used on 4 cylinder models.

NOTE 3: Used on 3 cylinder models.

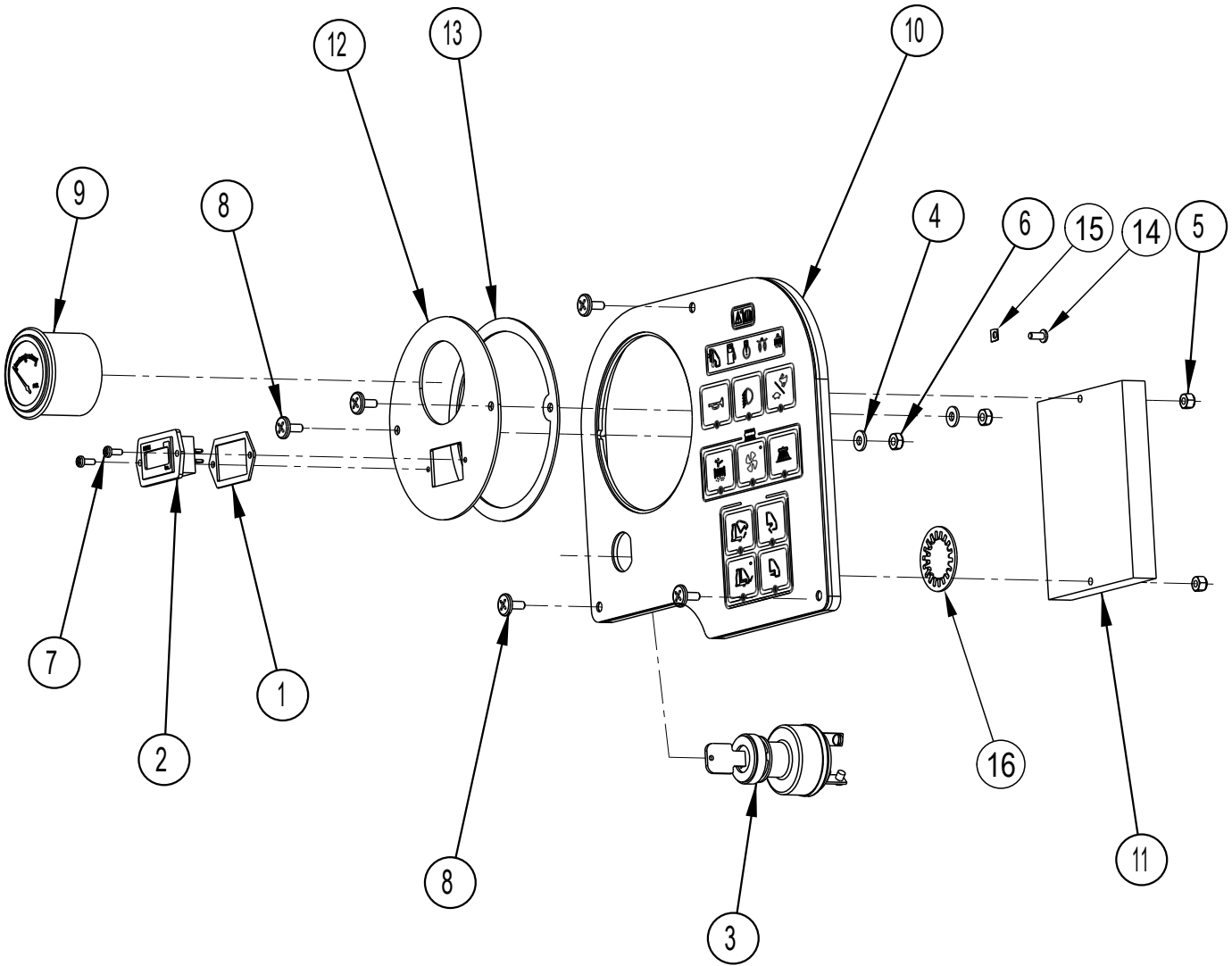
NOTE 4: Used on machines built after Serial Number 1000022916, for replacement on earlier machines order Encoder Guide Kit 56508926.



Item	Ref. No.	Qty	Description
1	2-00-02079	1	Bearing Cone Note 1
2	2-00-02436	1	Pin, Cotter Note 1
3	2-00-04621	2	Bearing Cup Note 1
4	2-00-04622	1	Bearing Cone Note 1
5	2-00-05024	1	Washer, Spacer Note 1
6	2-00-05026	1	1" x 14 Slotted Nut Note 1
7	8-11-00030	1	Grease Cap Note 1
8	8-33-09089	1	Hub And Drum - Machined Note 1
9	8-75-01216	4	Spacer
10	8-80-05035	5	Stud - Wheel Note 1
11	8-89-08054	1	Wheel Assembly Note 1
[]	8-65-05016	1	Rim Assy, 6 x 9 x 4
[]	8-85-06022	1	Tire - Pneumatic 6 x 9
[]	8-70-00087	1	Tube
[]	8-70-00086	1	Flap
12	0860-703	1	Axle / Shaft Assembly Note 1
	8-71-05007	AR	Replacement Shoe (usage 2 per brake assy)
	56418581	AR	Replacement Spring (usage 2 per brake assy)
13	56003162	8	Scr, Hex 1/2-20 x 2.00
14	56507045	2	Front Wheel Assembly (items 1-8, 10-12)

[] = Not Shown

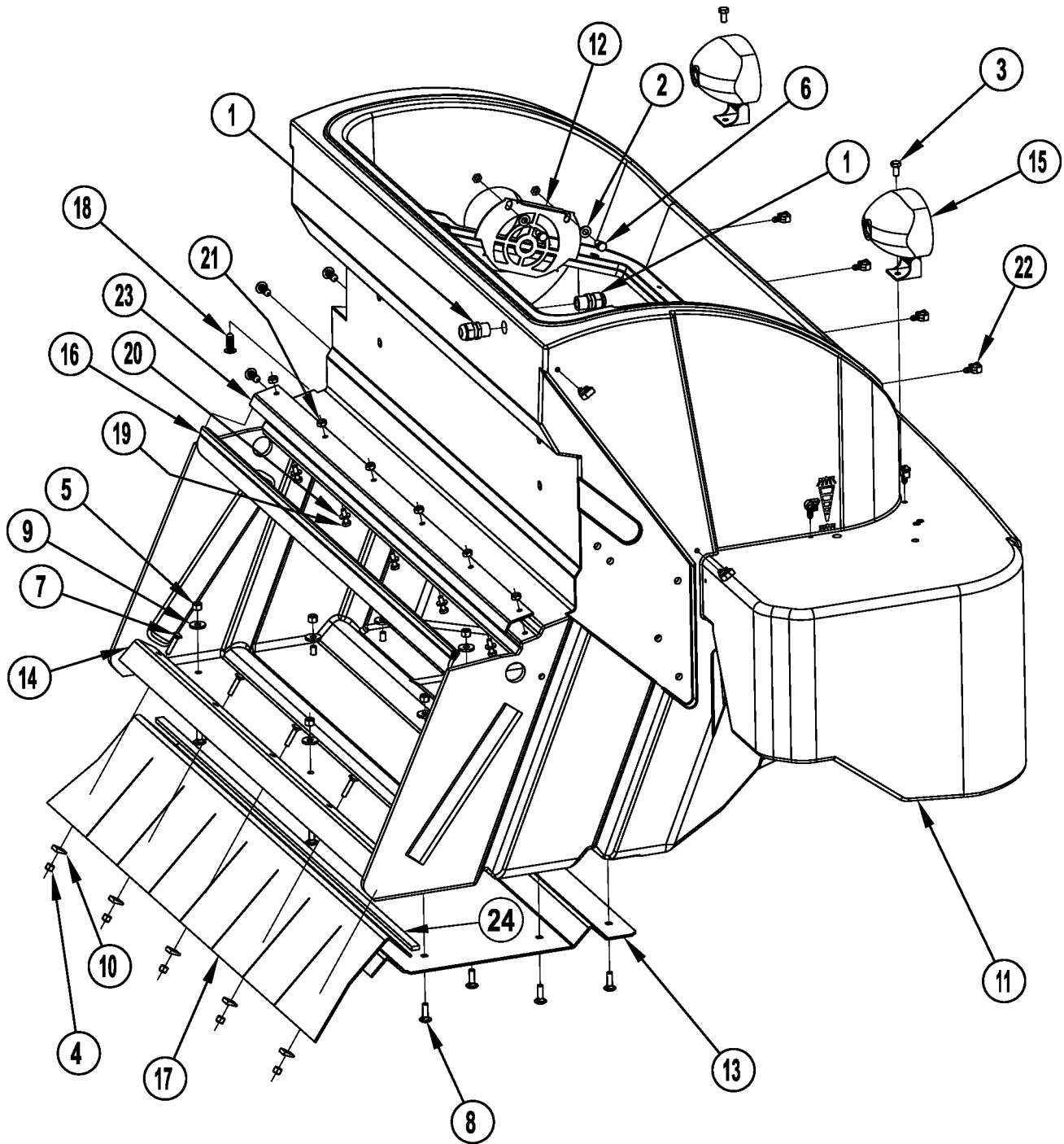
Note 1: These quantities reflect one Front Wheel Assembly only, there are two Front Wheel Assemblies on the machine.



Item	Ref. No.	Qty	Description
	56507498	1	Gauge Panel Assy - Diesel Model (items 1-2, 4-15)
	56507499	1	Gauge Panel Assy - LPG Model (items 1-8, 10-15)
	56507500	1	Gauge Panel Assy - Petrol Model (items 1-15)
	56508713	1	Gauge Panel Assy (used on model 56307252) (items 1-16)
1	56392845	1	Gasket
2	56393718	1	Hourmeter
3	56418685	1	Switch, Starter (LPG and petrol models)
*	56419123	A/R	Key (for 56418685)
	56497754	1	Switch, Starter (diesel models)
*	56508655	A/R	Key (for 56497754)
	56315435	1	Switch, Starter (used on model 56307252)
	56508699	A/R	Replacement Key (used on model 56307252)
4	56001954	2	Wsh, Flt SAE #10
5	56002808	2	Nut, Hex Nyl Loc 8-32
6	56002832	2	Nut, Hex Nyl Loc-Thin 10-24
7	56009013	2	Scr, Pan Phil Thd Form-Blk 6-32 x .38
8	56009206	5	Scr, Truss Phil-Blk 10-24 x .50
9#	8-48-05032	1	Gauge, Fuel Level (not used on LPG models)
10	56507060	1	Panel Assy (LPG and petrol models)
	56508218	1	Panel Assy (diesel & 56307252 models)
11	56508360	1	Control Box TSBUS2008-1011
12	56507381	1	Cover Plate – Petrol Gauge (used on petrol and diesel models)
	56507382	1	Cover Plate – LPG Gauge
13	56507383	1	Gasket, Cover Plate
14	56001818	1	Scr, Pan Phil 8-32 x .38
15	56508923	1	Tab-Quick Connect .187 x #8
16	56306143	1	Shaker Washer (used on model 56307252)

* = Not Shown

= Revised or new since last update



06-12

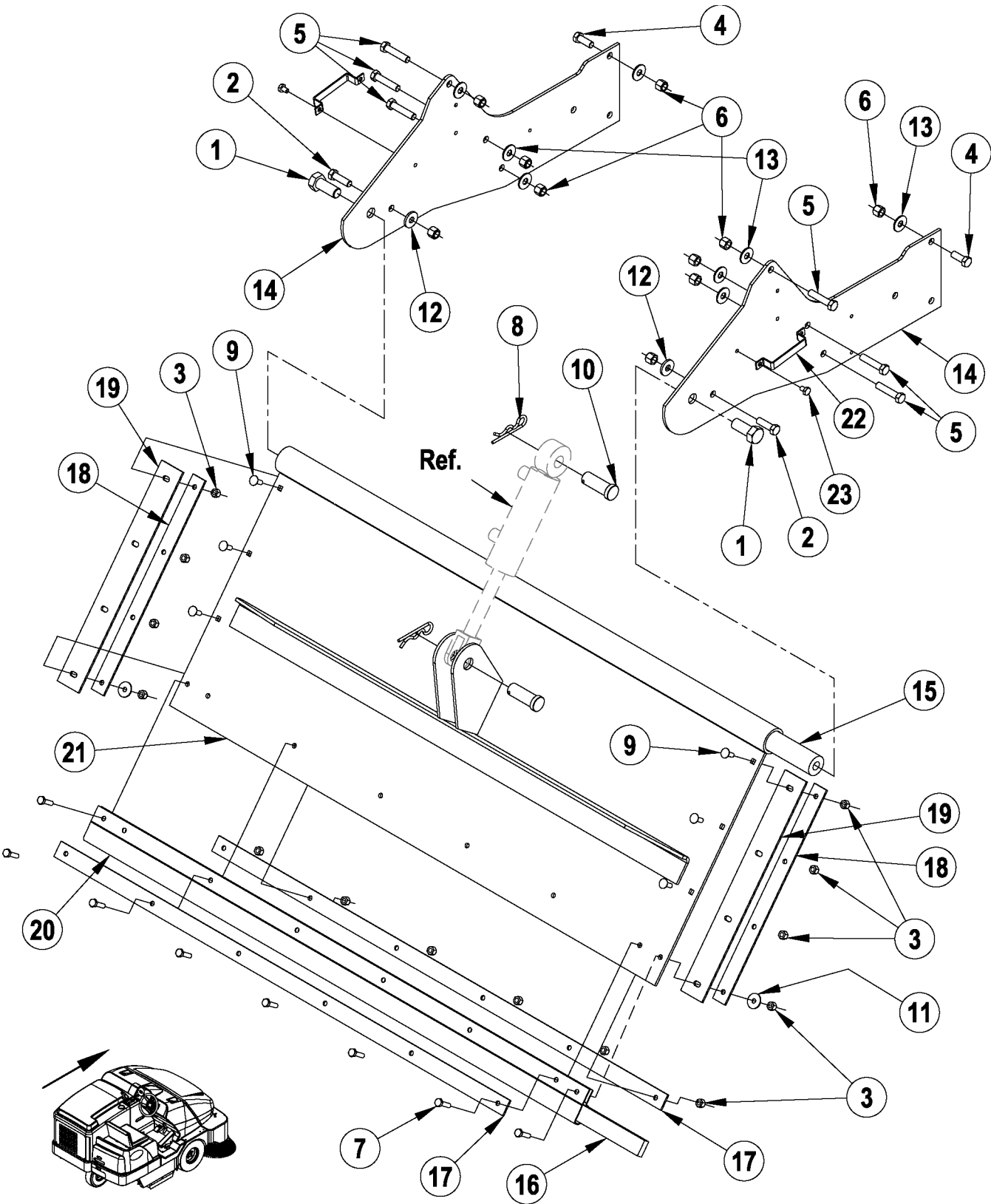
HOPPER SYSTEM-1

07-8

Exterra™**51**

Item	Ref. No.	Qty	Description
1	56323135	2	Strain Relief
2	56001939	2	Wsh, Flt SAE 5/16
3	56002035	2	Scr, Hex 5/16-18 x .62
4	56002491	5	Nut, Hex Nyl Loc SS 1/4-20
5	56002856	10	Nut, Hex Nyl Loc SS 5/16-18
6	56002929	2	Scr, Hex Hd Loc 5/16-18 x .62
7	56003714	5	Scr, Carriage SS 1/4-20 x 1.25
8	56003720	10	Scr, Carriage SS 5/16-18 x 1.00
9	56009122	10	Wsh, Flt .344 x .938 x .125
10	56009345	5	Wsh, Beveled 1/4
11	56507087	1	Hopper
12	56507159	1	Screen, Vac Fan
13	56507162	1	Skid Plate, Hopper
14	56507187	1	Clamp, Hopper Flap
15	56507223	2	Head Light Assembly
*	56507224	A/R	Bulb, Light (for 56507223)
16	56508325	1	Seal, Door Hinge
17	56508083	1	Flap, Hopper
18	56508211	4	Clip, Panel
19	56001821	6	Scr, Hex 1/4-20 x .88
20	56002098	6	Wsh, Flt SAE 1/4
21	56002826	6	Nut, Hex Nyl Loc-Thin 5/16-18
22	56507793	8	Clip, Conduit
23	56508321	1	Clamp Door Seal
24	56508728	1	Seal, Hopper Skid Plate

* = Not Shown



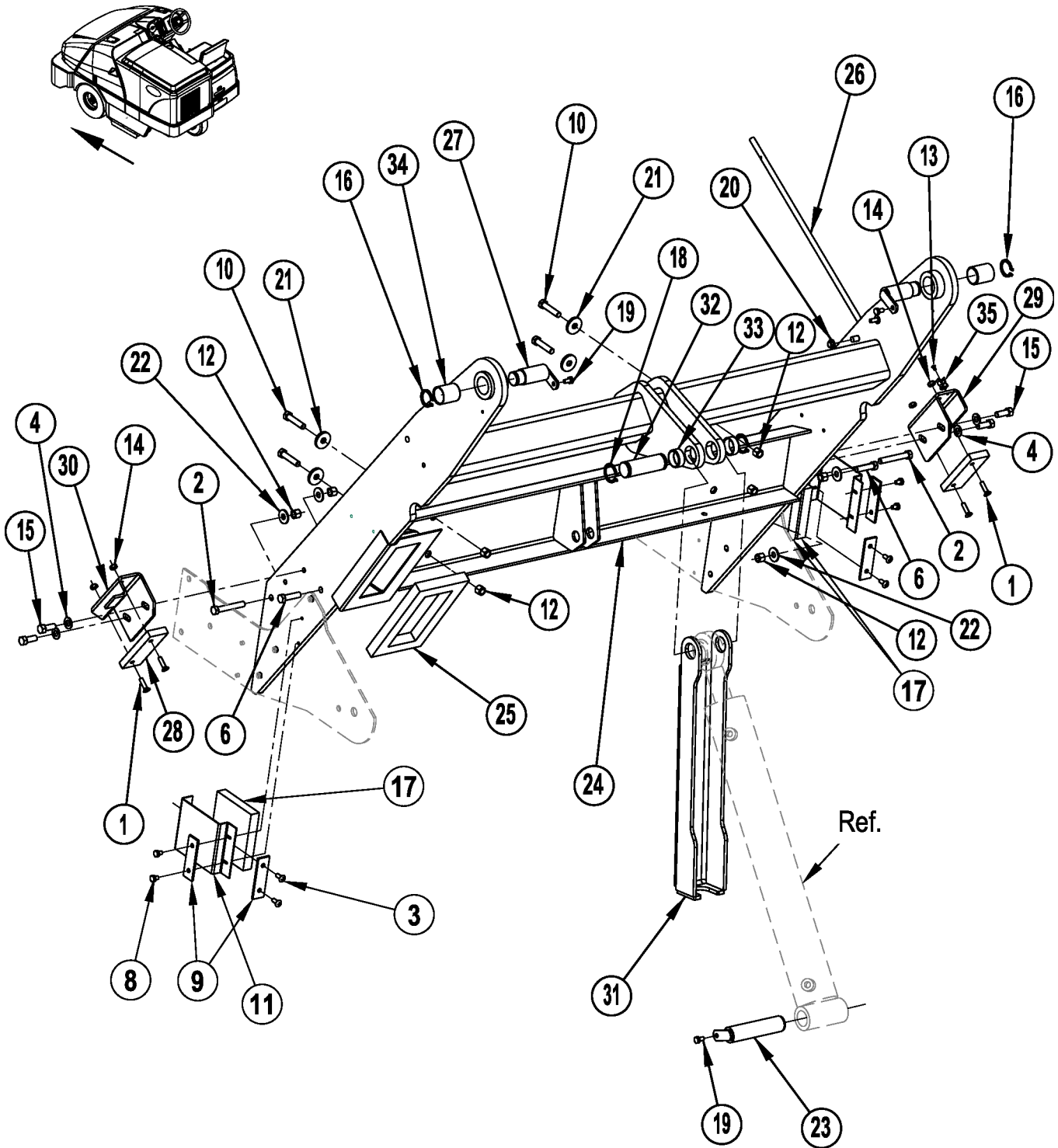
06-12

HOPPER SYSTEM-2

08-7

Exterra™**53**

Item	Ref. No.	Qty	Description
1	56001843	2	Scr, Hex 5/8-11 x 1.50
2	56001858	2	Scr, Hex 3/8-16 x 1.25
3	56002491	14	Nut, Hex Nyl Loc SS 1/4-20
4	56002663	2	Scr, Hex 3/8-16 x 1.00
5	56002684	6	Scr, Hex 3/8-16 x 1.75
6	56002769	10	Nut, Hex Nyl Loc 3/8-16
7	56002883	8	Scr, Hex Ss 1/4-20 x 1.00
8	56003152	2	Pin, Cot Hair SS .148 x Dia .62/1.00
9	56003715	6	Scr, Carriage SS 1/4-20 x .75
10	56003732	2	Pin, Clevis .750 x 2.00
11	56009002	2	Wsh, Flt .266 x .906 x .060
12	56009107	2	Wsh, Flt SS .378 x 1.000 x .120
13	56009213	8	Wsh, Flt .392 x 1.00 x .075
14	56507164	2	Bracket, Side Broom Arm
15	56507168	1	Pivot, Hopper Door
16	56507169	1	Seal, Hopper Door Bottom
17	56507176	2	Clamp, Hopper Door Bottom
18	56507177	2	Clamp, Hopper Door Side
19	56507178	2	Seal, Hopper Door Side
20	56507179	1	Seal, Hopper Door Bottom
21	56507290	1	Hopper Door, Weldment
22	2-00-04603	2	P-Clamp
23	56002933	2	Scr, Hex Hd Loc 1/4-20 x .38



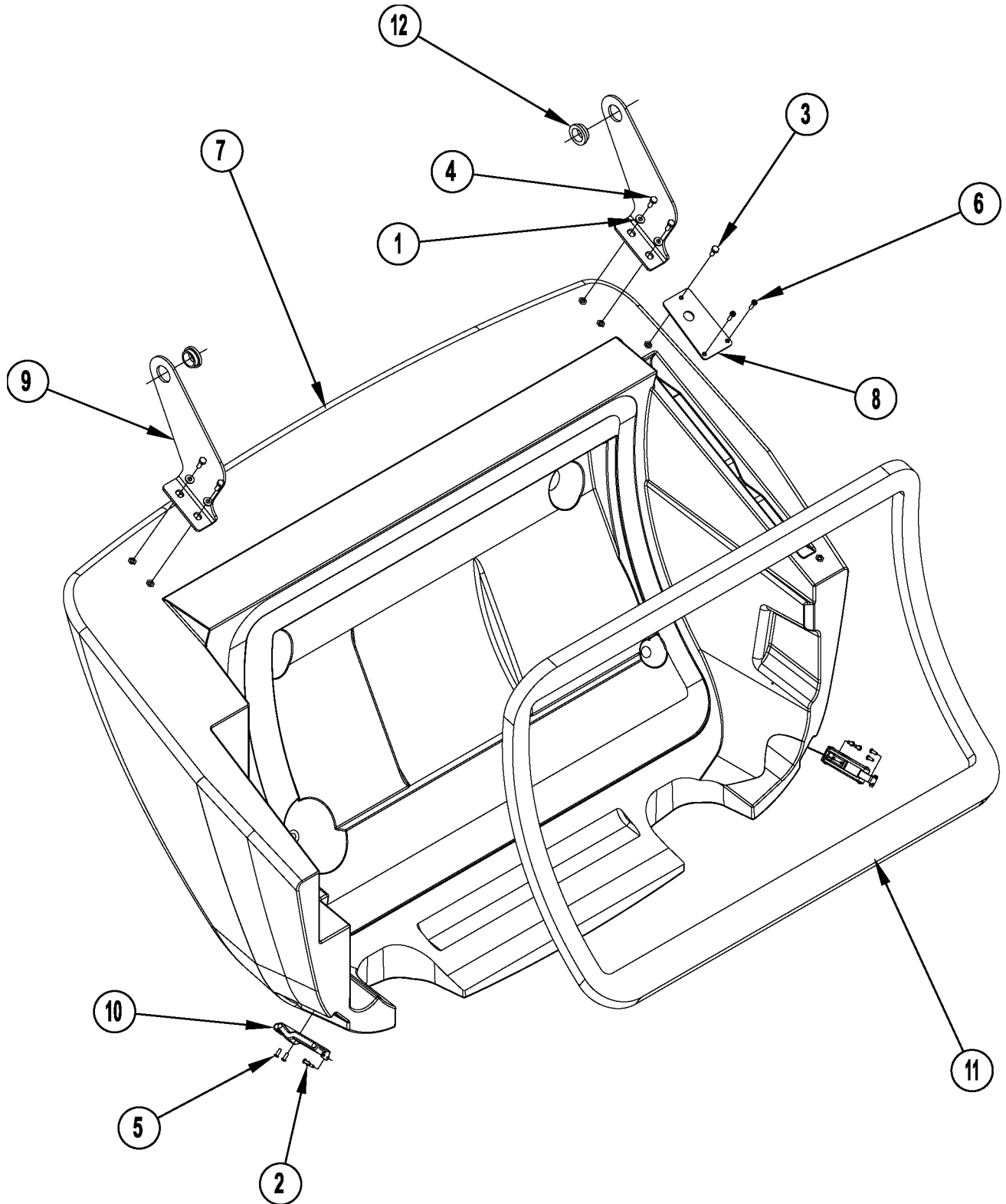
06-12

HOPPER SYSTEM-3

08-6

Exterra™**55**

Item	Ref. No.	Qty	Description
1	56002457	4	Scr, Flt Soc 1/4-20 x 1.00
2	56001873	2	Scr, Hex 3/8-16 x 2.50
3	56009120	4	Scr, Pan Phil SS Type B 1/4-14 x .62
4	56002063	4	Wsh, Flt SAE 3/8
6	56002095	2	Scr, Hex 3/8-16 x 1.50
8	56009019	4	Scr, Hex Thd Form 1/4-20 x .38
9	56508248	4	Strap, Front Tire Rear Flap
10	56002684	4	Scr, Hex 3/8-16 x 1.75
11	56508389	2	Flap Hopper Side
12	56002769	8	Nut, Hex Nyl Loc 3/8-16
13	56001904	1	Scr, Pan Phil 6-32 x .38
14	56002840	4	Nut, Hex Nyl Loc-Thin 1/4-20
15	56002947	4	Scr, Hex Hd Loc 3/8-16 x 1.00
16	56003258	2	Ring, Ret Ext 1.00 Shaft
17	56508390	3	Foam Hopper Side
18	56003750	2	Ring, Ret Ext 1.125 Shaft
19	56009033	3	Scr, Hex Thd Form 1/4-20 x .50
20	56009123	1	Nut, Push Cap 3/8
21	56009195	4	Wsh, Flt .406 x 1.25 x .164
22	56009213	4	Wsh, Flt .392 x 1.00 x .075
23	56304683	1	Pin Hinge Weldt
24	56507100	1	Arm, Hopper Lift Weldment
25	56507189	1	Seal, Air Exhaust
26	56507197	1	Rod, Cover
27	56507204	2	Pin Hopper Hinge Wldt
28	56507289	2	Bumper, Hopper Lift
29	56507334	1	Stop Hopper, Rh
30	56507335	1	Stop Hopper, Lh
31	56507477	1	Prop Rod
32	56507885	1	Pin, Cylinder
33	56507939	2	Bearing, Sleeve 1.125 x 1.281 x .500
34	56507940	2	Bearing, Sleeve 1.125 x 1.281 x 1.500
35	56508234	1	Clip, 3/8



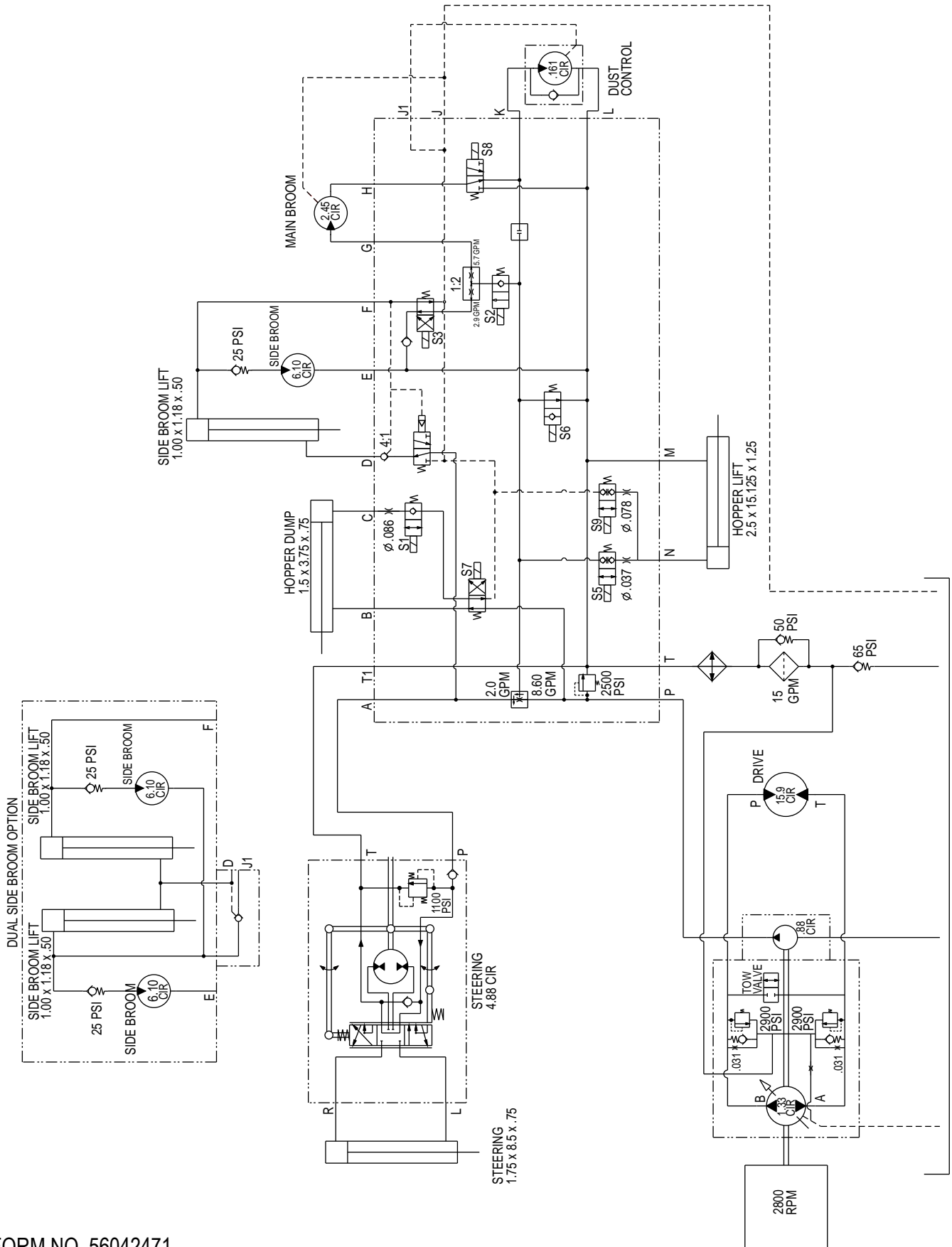
06-12

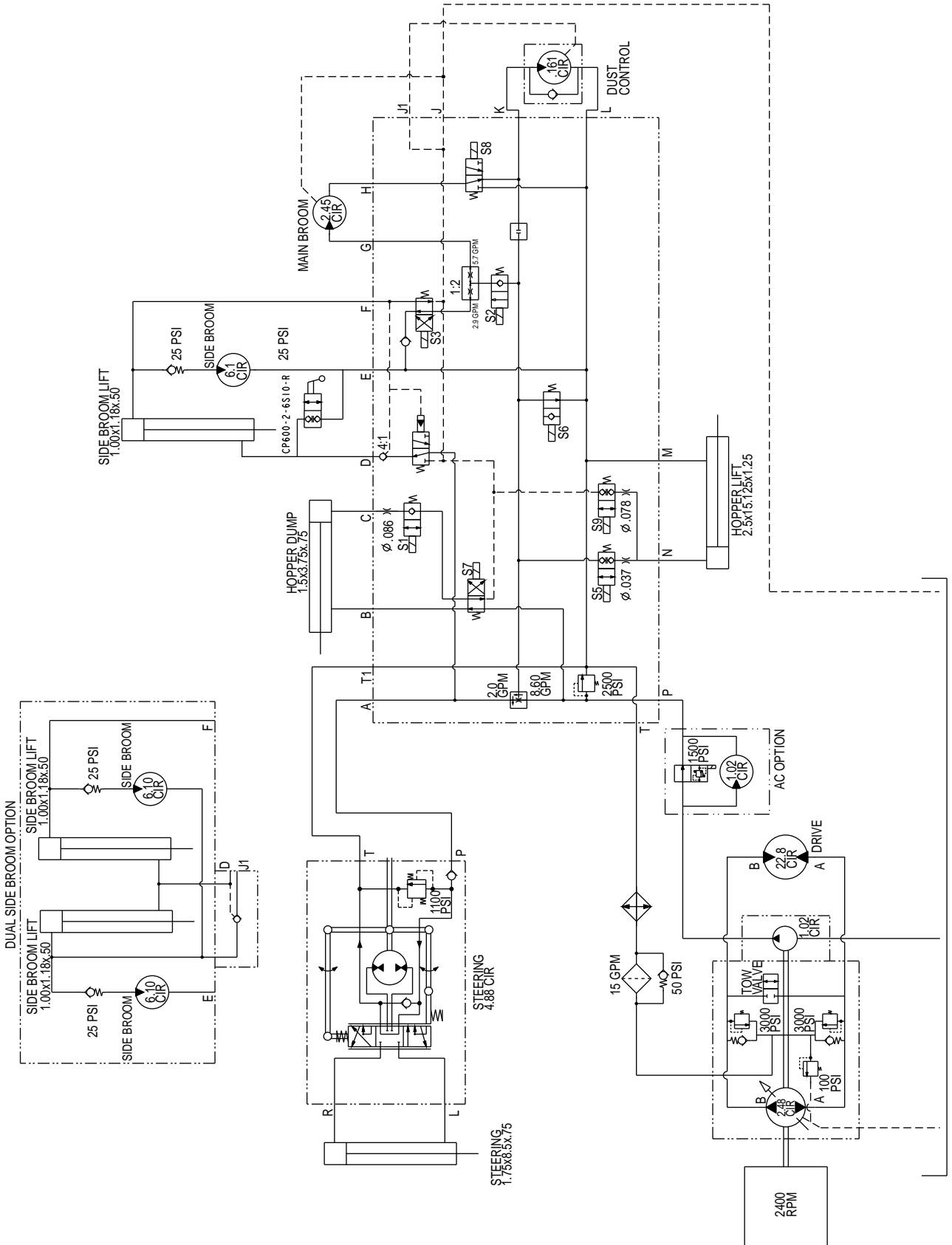
HOPPER SYSTEM-4

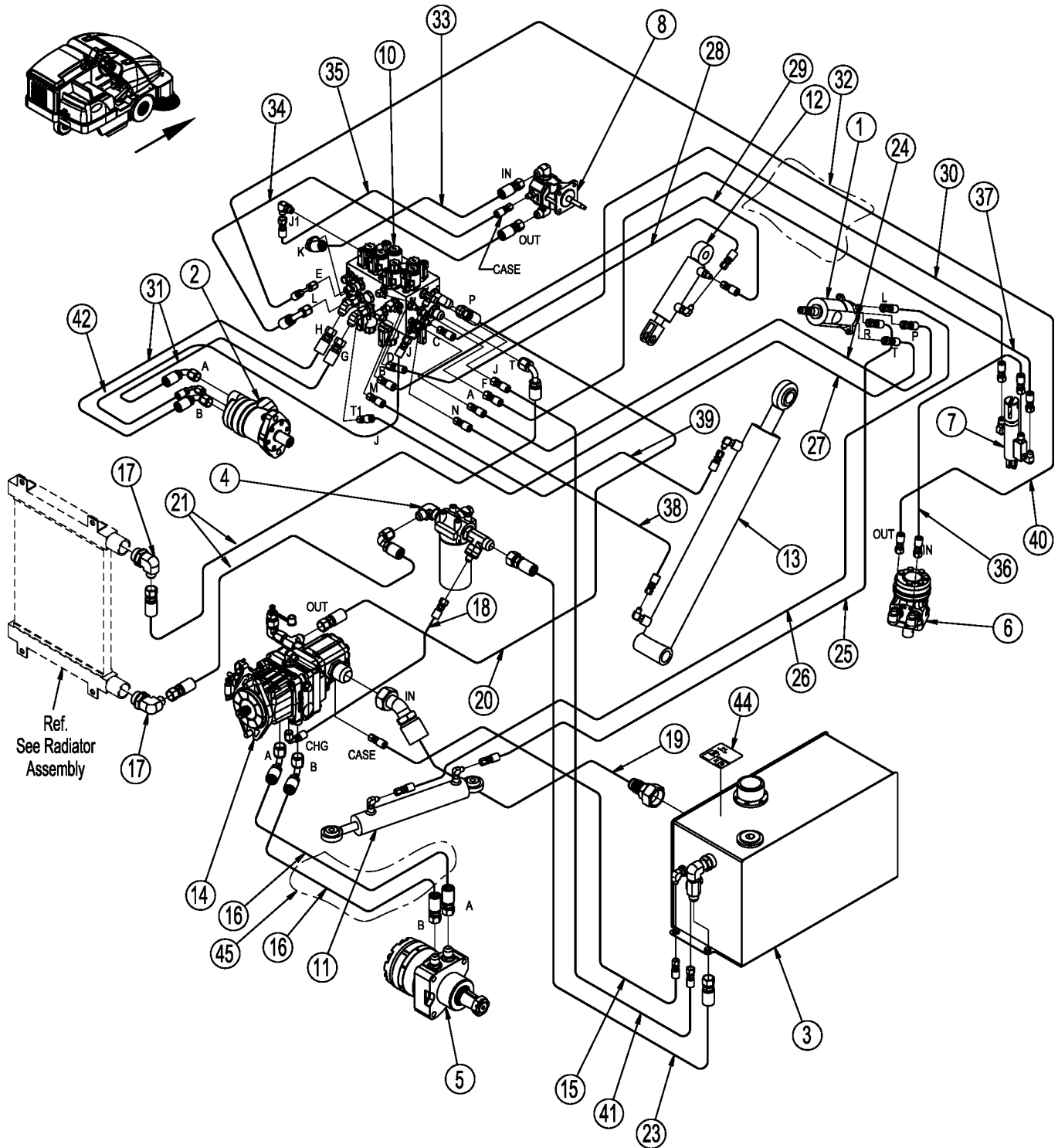
07-7

Exterra™**57**

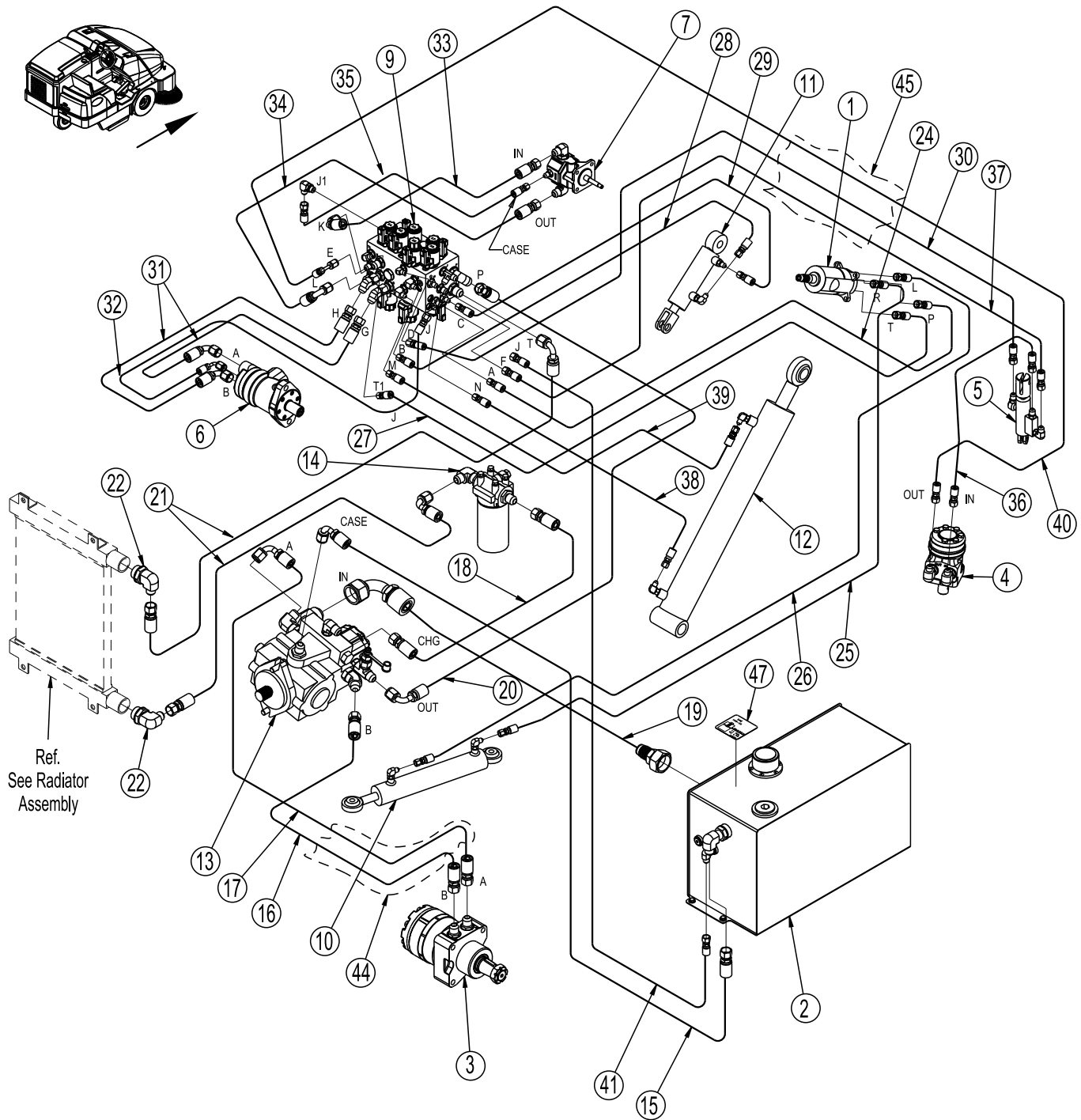
Item	Ref. No.	Qty	Description
1	56002098	4	Wsh, Flt SAE 1/4
2	56002876	4	Scr, Pan Phil SS 8-32 x .50
3	56002922	1	Scr, Hex Hd Loc 1/4-20 x .62
4	56002948	4	Scr, Hex Hd Loc 1/4-20 x .75
5	56003093	4	Scr, Pan Phil Plastite 8-16 x .50
6	56009005	2	Scr, Pan Phil SS Type AB 10-16 x .75
7	56507086	1	Cover, Hopper (grey)
	56508668	1	Cover, Hopper (green / Advance model 56307252)
8	56508226	1	Plate, Hopper Prop Rod
9	56507185	2	Bracket, Hopper Cover, LH
10	56507188	2	Latch, Hopper Cover
11	56507219	1	Seal, Hopper Cover
12	56507767	2	Bearing, FL 1 ID x 1-1/4 OD x 1/2 L



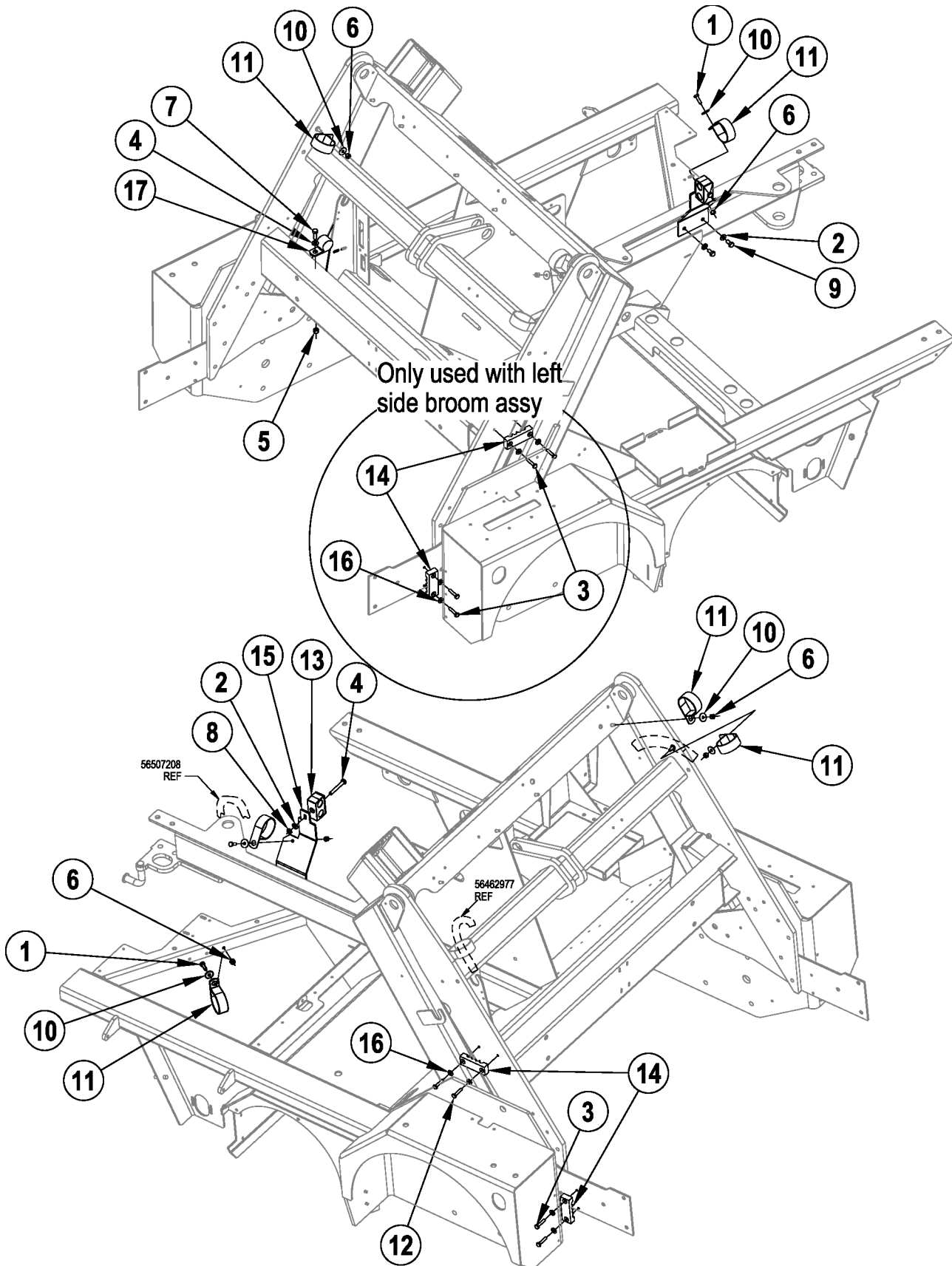




Item	Ref. No.	Qty	Description
1	8-60-05034	1	Steering Control Unit
	7-70-00127	1	Seal Kit for 8-60-05034
2	56507606	1	Main Broom Motor Assembly See Hydraulic Motor Assemblies
3	56507070	1	Reservoir Assembly See Hydraulic Reservoir Assembly
4	56507071	1	Filter Assembly See Hydraulic Oil Cooler/Filter Assembly
5	56507074	1	Drive Motor Assembly See Hydraulic Motor Assemblies
6	56507604	1	Side Broom Motor Assembly See Hydraulic Motor Assemblies
7	56507605	1	Side Broom Cylinder Assembly, Right See Hydraulic Cylinder Assemblies
8	56507607	1	Dust Control Motor Assembly See Hydraulic Motor Assemblies
10	56507609	1	Manifold Assembly See Hydraulic Valve Block Assembly
11	56507610	1	Steering Cylinder Assembly See Hydraulic Cylinder Assemblies
12	56507611	1	Hopper Door Cylinder Assembly See Hydraulic Cylinder Assemblies
13	56507612	1	Hopper Lift Cylinder Assembly See Hydraulic Cylinder Assemblies
14	56507784	1	Pump Assembly See Hydraulic Pump Assembly
15	56507354	1	Hose Hyd, #4, SAE37, 2 x 7/16-20 Str, 69.50 Lg (Hose ID# 15)
16	56507355	2	Hose Hyd, #10 SAE37, 2 x 7/8-14, 90 x str x 53 Lg (Hose ID# 16)
17	56900480	2	Elbow, 90 O-Ring
18	56507357	1	Hose Hyd, #4 SAE37 2x 9/16-18, 90 x str x 29 Lg (Hose ID# 18)
19	56507358	1	Hose Hyd, #20 SAE37, 1x 1-5/8-12 45 x 41 Lg (Hose ID# 19)
20	56507359	1	Hose Hyd, #10 SAE37, 2 x 7/8-14 Str x str x 32 Lg (Hose ID# 20)
21	56507522	2	Hose Hyd, #10 SAE37, 2 x 7/8-14 Str x str x 72 Lg (Hose ID# 21)
23	56507524	1	Hose Hyd, #10 SAE37 2 x str, 1-1/16-12 7/8-14 x 76 Lg (Hose ID# 23)
24	56507525	1	Hose Hyd, #4 SAE37, 2 x 7/16-20 Str x 37 Lg (Hose ID# 24)
25	56507526	1	Hose Hyd, #4 SAE37, Str 7/16-20 x 9/16-18 x 63 Lg (Hose ID# 25)
26	56507527	1	Hose Hyd, #4 SAE37 2 x str, 7/16-20 x 9/16-18 x 52 Lg (Hose ID# 26)
27	56507528	1	Hose Hyd, #4 2 x str, 7/16-20 x 9/16-18 x 43 Lg (Hose ID# 27)
28	56507529	1	Hose Hyd, #4 SAE37, 2 x str, 7/16-20 x 7/16-20 x 89.50 Lg (Hose ID# 28)
29	56507530	1	Hose Hyd, #4 SAE37 7/16-20, Str x str x 79.50 Lg (Hose ID# 29)
30	56507531	1	Hose Hyd, #4 SAE37, 2 x str, 9/16-18 x 7/16-20 x 102.50 Lg (Hose ID# 30)
31	56507532	2	Hose Hyd, #8 SAE37, 7/8-14 90 x 3/4-16 Str x 48 Lg (Hose ID# 31)
32	56507208	1	Sleeve, Nylon (Not Shown)
33	56507534	1	Hose Hyd, #8 SAE37 3/4-16, 90 x Str x 67 Lg (Hose ID# 33)
34	56507535	1	Hose Hyd, #8 SAE37, 3/4-16, 90 x Str x 69 Lg (Hose ID# 34)
35	56507536	1	Hose Hyd, #4 SAE37, 2 x Str, 9/16-18 x 7/16-20 x 71.50 Lg (Hose ID# 35)
36	56507537	1	Hose Hyd, #4, SAE37, 2 x Str 9/16-18 x 21.50 Lg (Hose ID# 36)
37	56507538	1	Hose Hyd, #4, SAE37, 2 x Str, 9/16-18 x 102.50 Lg (Hose ID# 37)
38	56507539	1	Hose Hyd, #4, SAE37, 2 x Str 7-16-20 x 27.50 Lg (Hose ID# 38)
39	56507540	1	Hose Hyd, #4, SAE37, 2 x Str 7/16-20 x 15.50 Lg (Hose ID# 39)
40	56507718	1	Hose Hyd, #4, SAE37, 90 x Str, 9/16-18 x 108.50 Lg (Hose ID# 40)
41	56507719	1	Hose Hyd, #4, SAE37, 2 x str, 9/16-18 x 75.50 Lg (Hose ID# 41)
42	56507788	1	Hose Hyd #4, SAE37, 7/16-20 90 x 9/16-18 Str, 59 Lg (Hose ID# 11)
43	A/R		Oil, Multi-Vis SAE 10w-30 (11 gallons) Not Shown
44	56016259	1	Decal, Oil Fill
45	56508814	1	Sleeve, Nylon (Not Shown)
46	56462977	1	Sleeve, 24 In. Nylon Not Shown



Item	Ref. No.	Qty	Description
1	8-60-05034	1	Steering Control Unit
	7-70-00127	1	Seal Kit for 8-60-05034
2	56507072	1	Reservoir Assembly See Hydraulic Reservoir Assembly
3	56507603	1	Drive Motor Assembly See Hydraulic Motor Assemblies
4	56507604	1	Side Broom Motor Assembly See Hydraulic Motor Assemblies
5	56507605	1	Side Broom Cylinder Assy, Right See Hydraulic Cylinder Assemblies
6	56507606	1	Main Broom Motor Assembly See Hydraulic Motor Assemblies
7	56507607	1	Dust Control Motor Assembly See Hydraulic Motor Assemblies
9	56507609	1	Manifold Assembly See Hydraulic Valve Block Assembly
10	56507610	1	Steering Cylinder Assembly See Hydraulic Cylinder Assemblies
11	56507611	1	Hopper Door Cylinder Assembly See Hydraulic Cylinder Assemblies
12	56507612	1	Hopper Lift Cylinder Assembly See Hydraulic Cylinder Assemblies
13	56507613	1	Pump Assembly See Hydraulic Pump Assembly
14	56507614	1	Filter Assembly
15	56507516	1	Hose, Hydraulic (Hose ID# 15)
16	56507517	1	Hose, Hydraulic (Hose ID# 16)
17	56507518	1	Hose, Hydraulic (Hose ID# 17)
18	56507519	1	Hose, Hydraulic (Hose ID# 18)
19	56507520	1	Hose, Hydraulic (Hose ID# 19)
20	56507521	1	Hose, Hydraulic (Hose ID# 20)
21	56507522	2	Hose Hyd, #10 SAE37,2x7/8-14 Str x str x 72 Lg (Hose ID# 21)
22	56900480	2	Elbow, 90 O-Ring
24	56507525	1	Hose Hyd, #4 SAE37, 2 x 7/16-20 Str x 37 Lg (Hose ID# 24)
25	56507526	1	Hose Hyd, #4 SAE37, Str 7/16-20 x 9/16-18 x 63 Lg (Hose ID# 25)
26	56507527	1	Hose Hyd, #4 SAE37 2 x str, 7/16-20 x 9/16-18 x 52 Lg (Hose ID# 26)
27	56507528	1	Hose Hyd, #4 2 x str, 7/16-20 x 9/16-18 x 43 Lg (Hose ID# 27)
28	56507529	1	Hose Hyd, #4 SAE37,2 x str, 7/16-20 x 7/16-20 x 89.50 Lg (Hose ID# 28)
29	56507530	1	Hose Hyd, #4 SAE37 7/16-20, Str x str x 79.50 Lg (Hose ID# 29)
30	56507531	1	Hose Hyd, #4 SAE37,2 x str, 9/16-18 x 7/16-20 x 102.50 Lg (Hose ID# 30)
31	56507532	2	Hose Hyd, #8 SAE37, 7/8-14 90 x 3/4-16 Str x 48 Lg (Hose ID# 31)
32	56507788	1	Hose, Hydraulic (Hose ID# 11)
33	56507534	1	Hose Hyd, #8 SAE37 3/4-16, 90 x Str x 67 Lg (Hose ID# 33)
34	56507535	1	Hose Hyd, #8 SAE37, 3/4-16, 90 x Str x 69 Lg (Hose ID# 34)
35	56507536	1	Hose Hyd, #4 SAE37,2 x Str, 9/16-18 x 7/16-20 x 71.50 Lg (Hose ID# 35)
36	56507537	1	Hose Hyd, #4, SAE37, 2 x Str 9/16-18 x 21.50 Lg (Hose ID# 36)
37	56507538	1	Hose Hyd, #4, SAE37,2 x Str, 9/16-18 x 102.50 Lg (Hose ID# 37)
38	56507539	1	Hose Hyd, #4, SAE37, 2 x Str 7-16-20 x 27.50 Lg (Hose ID# 38)
39	56507540	1	Hose Hyd, #4, SAE37, 2 x Str 7/16-20 x 15.50 Lg (Hose ID# 39)
40	56507718	1	Hose Hyd, #4, SAE37, 90 x Str, 9/16-18 x 108.50 Lg (Hose ID# 40)
41	56507719	1	Hose Hyd, #4, SAE37, 2 x str, 9/16-18 x 75.50 Lg (Hose ID# 41)
42		A/R	Oil, Multi-Vis SAE 10w-30 (11 gallons) Not Shown
44	56508814	1	Sleeve, Nylon Not Shown
45	56462977	1	Sleeve, 24 In. Nylon Not Shown
46	56409463	1	P-Clamp Not Shown
47	56016259	1	Decal, Oil Fill



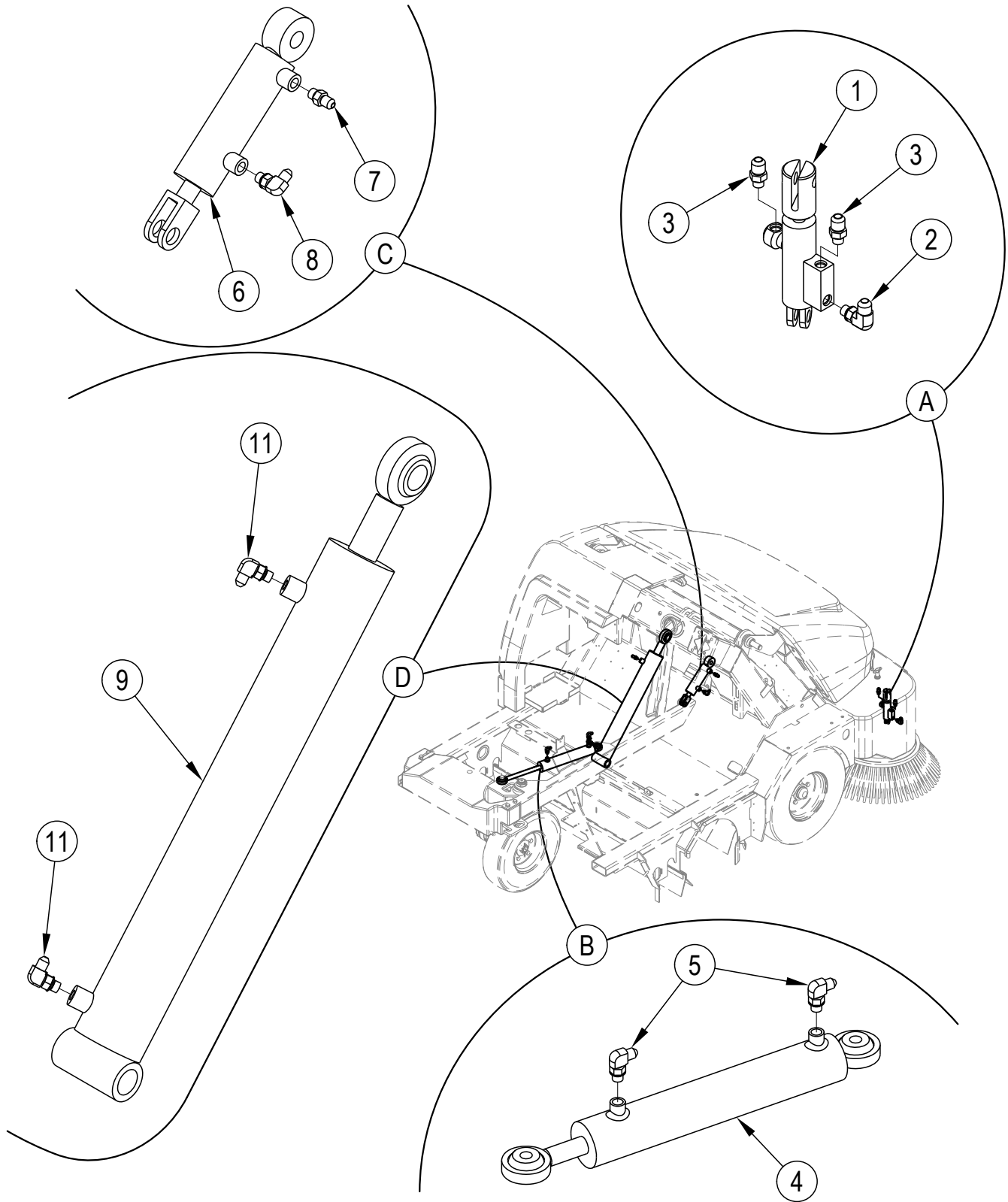
06-12

HYDRAULIC SYSTEM - MOUNTING

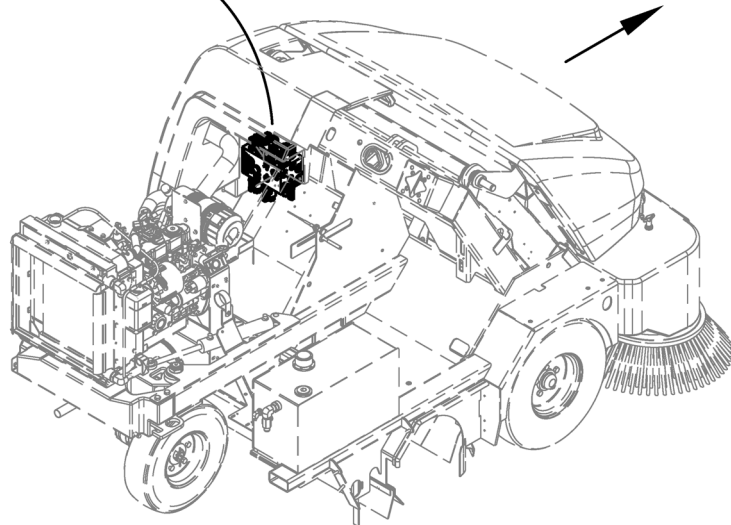
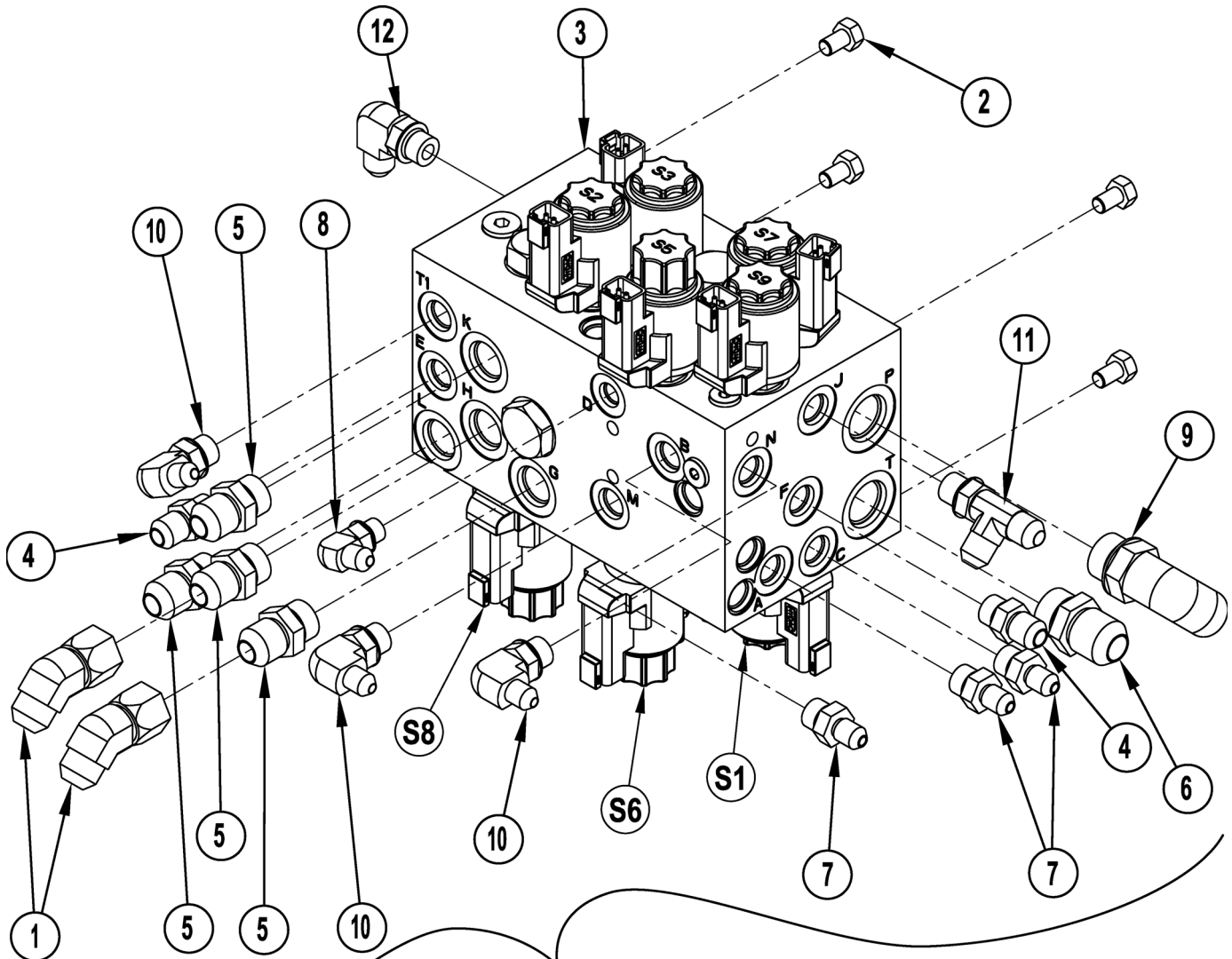
08-5

Exterra™**65**

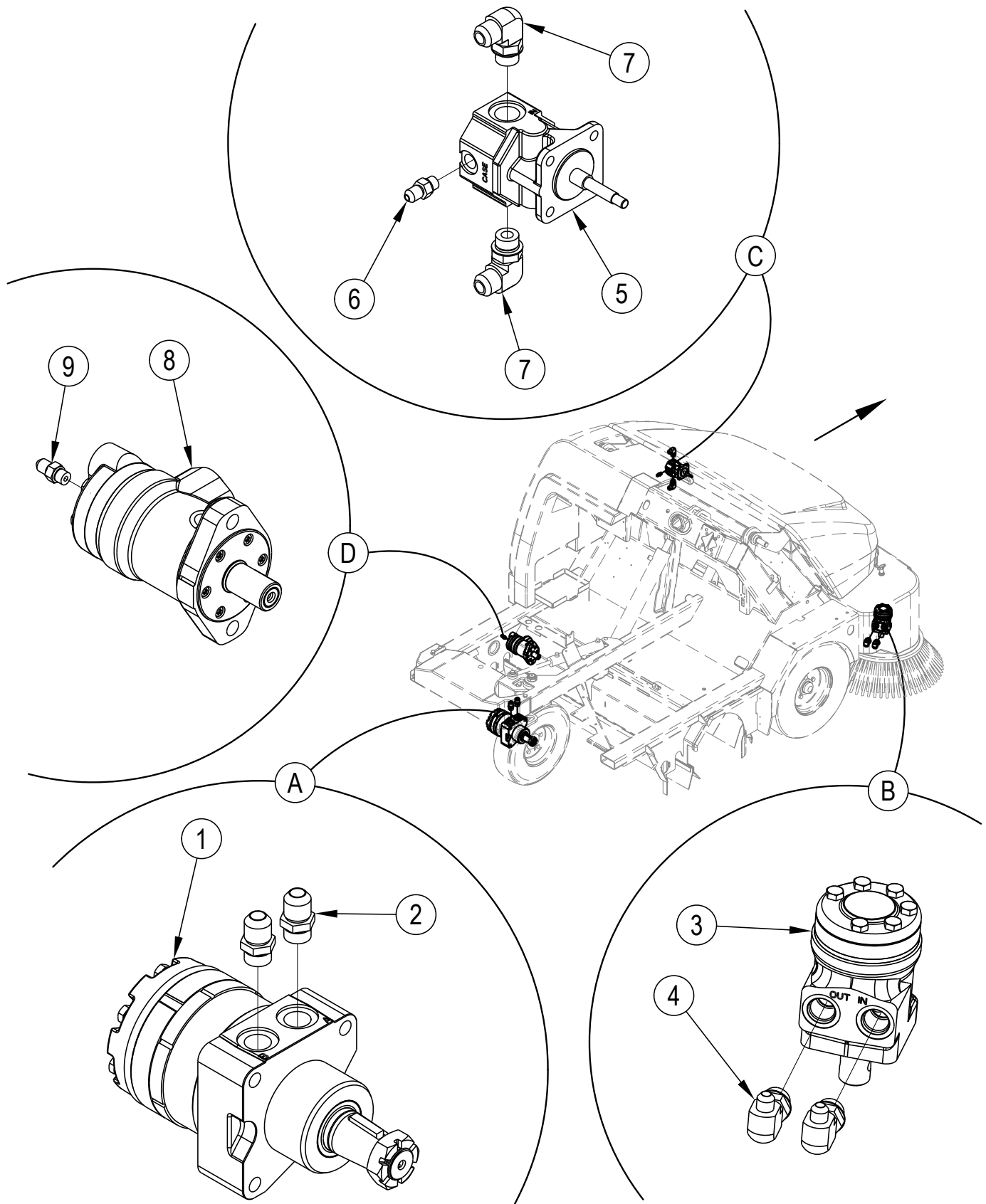
Item	Ref. No.	Qty	Description
1	56001821	2	Scr, Hex 1/4-20 x .88
2	56001939	4	Wsh, Flt SAE 5/16
3	56001878	4	Scr, Hex 1/4-20 x 1.25 (qty of 8 if equipped with left side broom)
4	56002420	1	Scr, Hex 5/16-18 x 2.25
5	56002701	1	Nut, Hex Nyl Loc 5/16-18
6	56002708	5	Nut, Hex Nyl Loc 1/4-20
7	56002221	1	Scr, Hex 5/16-18 x 1.00
8	56002826	1	Nut, Hex Nyl Loc-Thin 5/16-18
9	56002929	2	Scr, Hex Hd Loc 5/16-18 x .62
10	56009002	6	Wsh, Flt .266 x .906 x .060
11	56315257	5	Clamp, P
12	56002242	2	Scr, Soc Hd 1/4-20 x 1.50
13	56507218	1	Hose Clamp, Hydraulic
14	56507922	1	Hose Clamp, Hydraulic (qty of 2 if equipped with left side broom)
15	56508327	1	Bracket, Hose Clamp
16	56002098	4	Wsh, Flt SAE 1/4 (qty of 8 if equipped with left side broom)
17	56409463	1	Clamp, 1.25 Hose Support
18	56002093	1	Scr, Hex 1/4-20 x 1.00



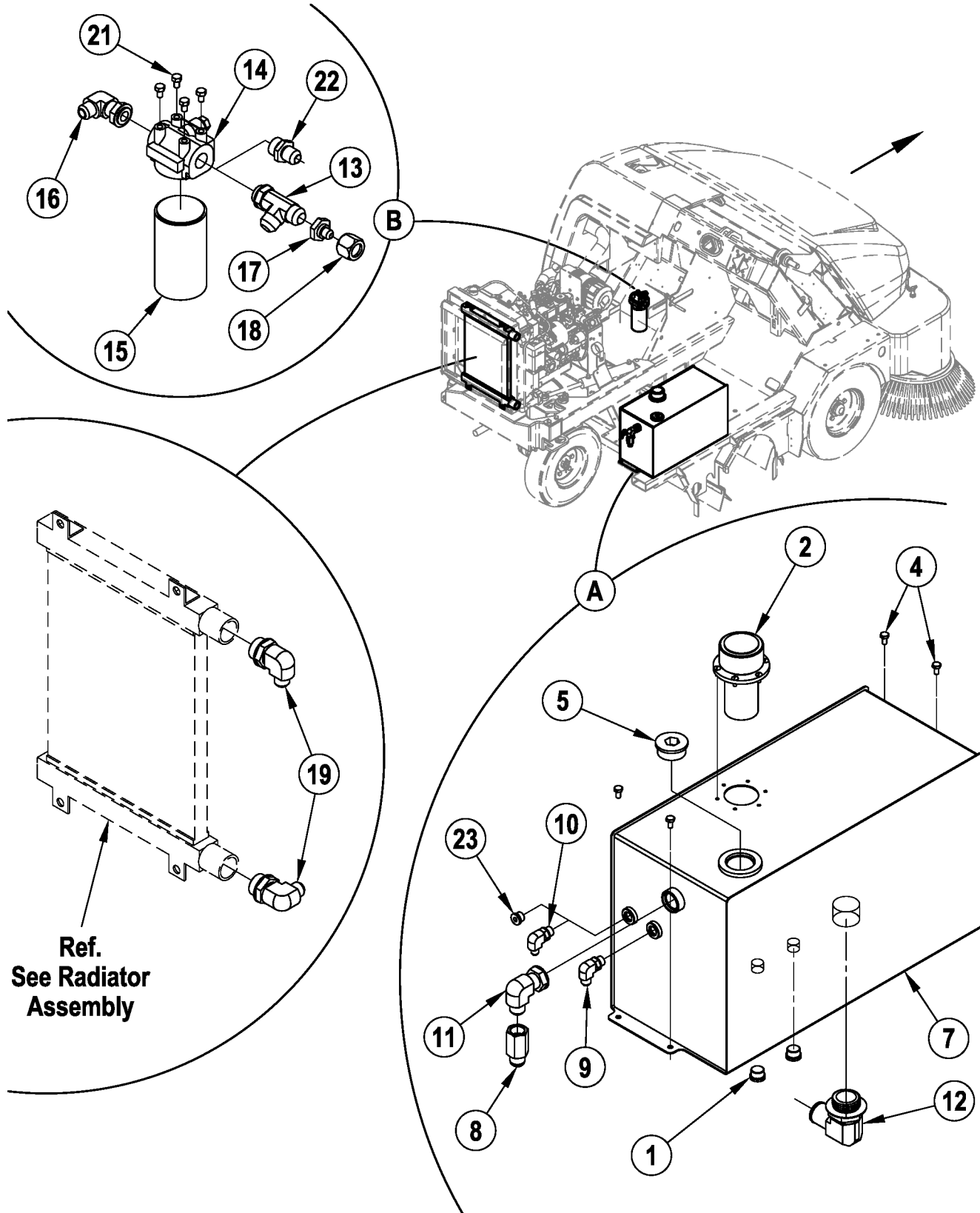
Item	Ref. No.	Qty	Description
A	56507605	1	Side Broom Cylinder Assy, Right (items 1-3)
1	56507065	1	Cylinder, Side Broom, Right
[]	56109100	1	Seal Kit
2	56900286	1	Elbow, 90 O-Ring
3	56900370	2	Connector, O-Ring
B	56507610	1	Steering Cylinder Assembly (items 4-5)
4	56507095	1	Steering Cylinder
[]	56380809	1	Seal Kit
5	56900101	2	Elbow, 90 O-Ring
C	56507611	1	Hopper Door Cylinder Assembly (items 6-8)
6	56507155	1	Cylinder, Hopper Door
[]	56109094	1	Seal Kit
7	56900001	1	Connector, O-Ring
8	56900101	1	Elbow, 90 O-Ring
D	56507612	1	Hopper Lift Cylinder Assembly (items 9-11)
9	56507241	1	Cylinder Hyd, Hopper Lift
[]	56380813	1	Seal Kit
11	56900101	1	Elbow, 90 O-Ring



Item	Ref. No.	Qty	Description
	56507609	1	Manifold Assembly (items 1-10)
1	56900324	2	Elbow, 45 W/Nut
2	56002923	4	Scr, Hex Hd Loc 5/16-18 x .50
3	56507073	1	Hydraulic Manifold
	56305368	A/R	Cartridge for S1, S2 (S4 is part of litter vac option)
	56305369	A/R	Cartridge for S3, S7
	56305367	A/R	Cartridge for S5, S9
	56305531	A/R	Cartridge for S6
	56507686	A/R	Cartridge for S8
	56507687	A/R	Cartridge for Flow Control, 2.0 GPM
	56507688	A/R	Cartridge for Flow Divider
	56508223	1	Seal Kit for 56507688
	56419397	A/R	Cartridge for Relief
	56507690	A/R	Cartridge for Piloted 3/2 Directional Valve
	56305370	A/R	Cartridge for Check Valve
	56507692	A/R	Cartridge for PO Check Valve
	56507983	A/R	Orifice, .086
	56508184	A/R	Orifice, .078
	56507694	A/R	Solenoid Coil with Connector For S1-S7, S9
	56507695	A/R	Solenoid Coil with Connector For S8
	56305354	A/R	Seal Kit for S1, S2, S4, S5, S6, S9, Relief, Check Valve
	56305355	A/R	Seal Kit for S3, S7
	56507702	A/R	Seal Kit for Po Check Valve
	56508840	A/R	Cavity Plug
	56305370	A/R	Check Valve
	56419397	A/R	Relief Valve
4	56900003	2	Connector, O-Ring
5	56900004	4	Connector, O-Ring
6	56900005	1	Connector, O-Ring
7	56900011	3	Connector, O-Ring
8	56900101	1	Elbow, 90 O-Ring
9	56900105	1	Elbow, 90 O-Ring
10	56900110	3	Elbow, 90 O-Ring
11	56900203	1	Tee, Run O-Ring
12	56900103	1	Elbow, 90 O-Ring



Item	Ref. No.	Qty	Description
A	56507074	1	Drive Motor Assembly (items 1-2) (used on 3 cyl models)
	56507603	1	Drive Motor Assembly (items 1-2) (used on 4 cyl models)
1	56507061	1	Motor, Traction Drive (used on 3 cyl models)
	56507618	1	Seal Kit (for 56507061) (used on 3 cyl models)
	56462927	1	Castle Nut (for 56507061)
	56507063	1	Motor, Traction Drive (used on 4 cyl models)
	56507618	1	Seal Kit (for 56507063)
	56462927	1	Castle Nut (for 56507063)
2	56109735	2	Swivel Adapter
B	56507604	1	Side Broom Motor Assembly (items 3-4)
3	56507064	1	Side Broom Motor
	56507619	1	Seal Kit (for 56507064)
4	56900113	2	Elbow, 90 O-Ring
C	56507607	1	Dust Control Motor Assembly (items 5-7)
5	56507067	1	Hydraulic Motor – Vac Fan
	56418823	1	Seal Kit (for 56507067)
6	56900001	1	Connector, O-Ring
7	56900104	2	Elbow, 90 O-Ring
D	56507606	1	Main Broom Motor Assembly (items 8-9)
8	56507066	1	Main Broom Motor
	56507620	1	Shaft Seal Kit (for 56507066)
9	56900001	1	Connector, O-Ring



Item	Ref. No.	Qty	Description
A	56507070	1	Reservoir Assembly (items 1-12) NOTE 1
	56507072	1	Reservoir Assembly (items 1-7, 9, 11, 12, 23) NOTE 2
1	56463403	2	Plug, Hex Soc O-Ring NOTE 3
2	56479656	1	Cap, Filler
4	56009033	4	Scr, Hex Thd Form 1/4-20 X .50
5	56305228	1	Plug, O-Ring 20 NOTE 4
7	56507507	1	Reservoir Weldment
8	56507636	1	Check Valve, 65 PSI NOTE 1
9	56900103	1	Elbow, 90 O-Ring
10	56900110	1	Elbow, 90 O-Ring NOTE 1
11	56900116	1	Elbow, 90 O-Ring
12	56508846	1	Elbow Barbed Hyd Fitting
23	56418776	1	Plug, Hex Soc O-Ring NOTE 2
B	56507071	1	Filter Assembly (items 13-18) NOTE 1
	56507614	1	Filter Assembly (items 13-18, 21, 22) NOTE 2
13	56900206	1	Tee, Run O-Ring
14	56419253	1	Head, Oil Filter
15	56419254	1	Oil Filter Cartridge
16	56900116	1	Elbow, 90 O-Ring
17	56900468	1	Reducer Nut
18	56900506	1	Nut, Tube End 1-1/16-12
21	56002923	4	Scr, Hex Hd Loc 5/16-18 x .50 NOTE 2
22	56900017	1	Connector, O-Ring NOTE 2
19	56900480	2	Elbow, 90 O-Ring

NOTE 1: Only used on 3 cylinder models.

NOTE 2: Only used on 4 cylinder models.

NOTE 3: Machines manufactured after May 2008 have a quantity of 1 of 56463403.

NOTE 4: 56305228 is only used on machines manufactured before June 2008.

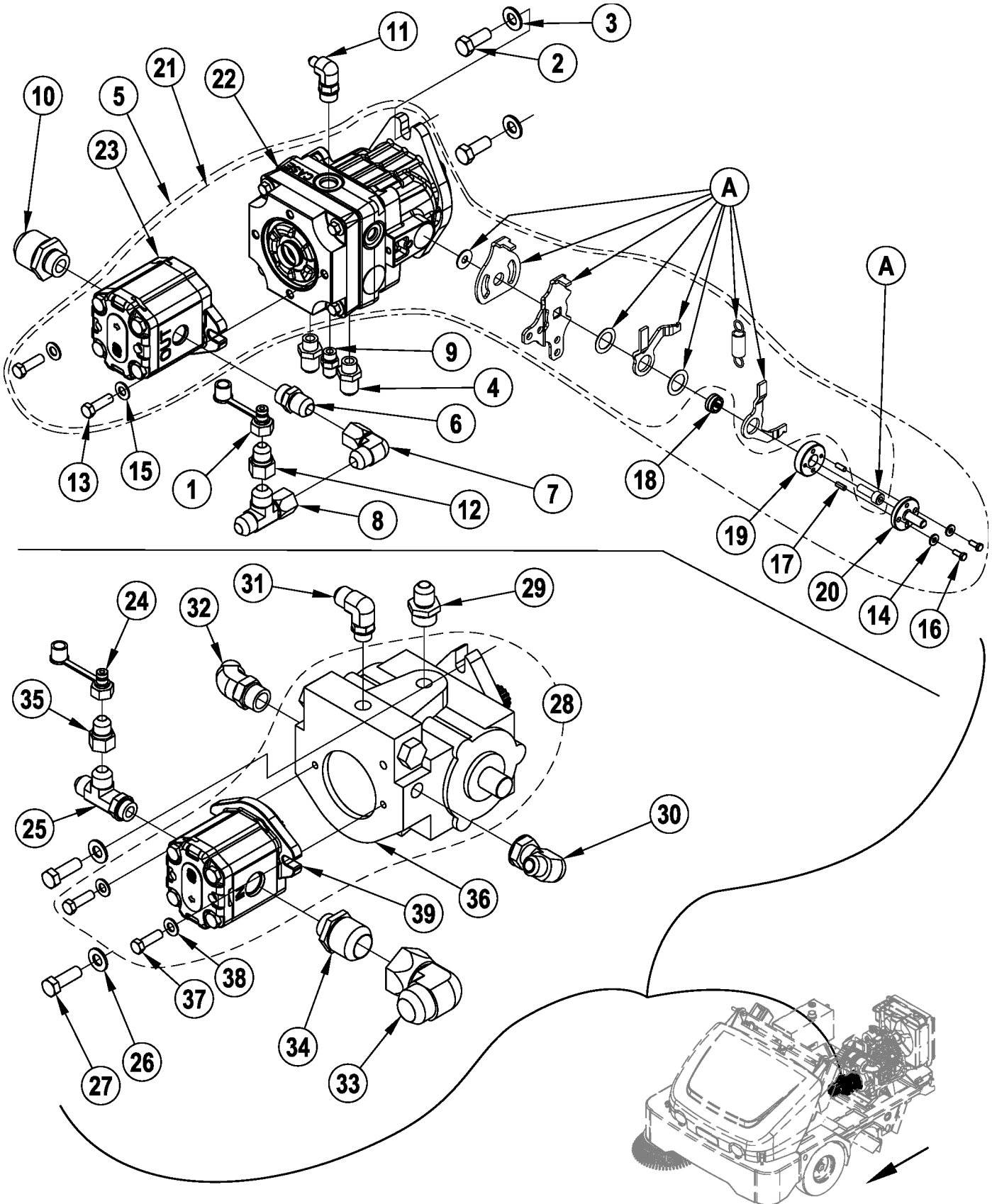
HYDRAULIC PUMP ASSEMBLY

06-12

74

Exterra™

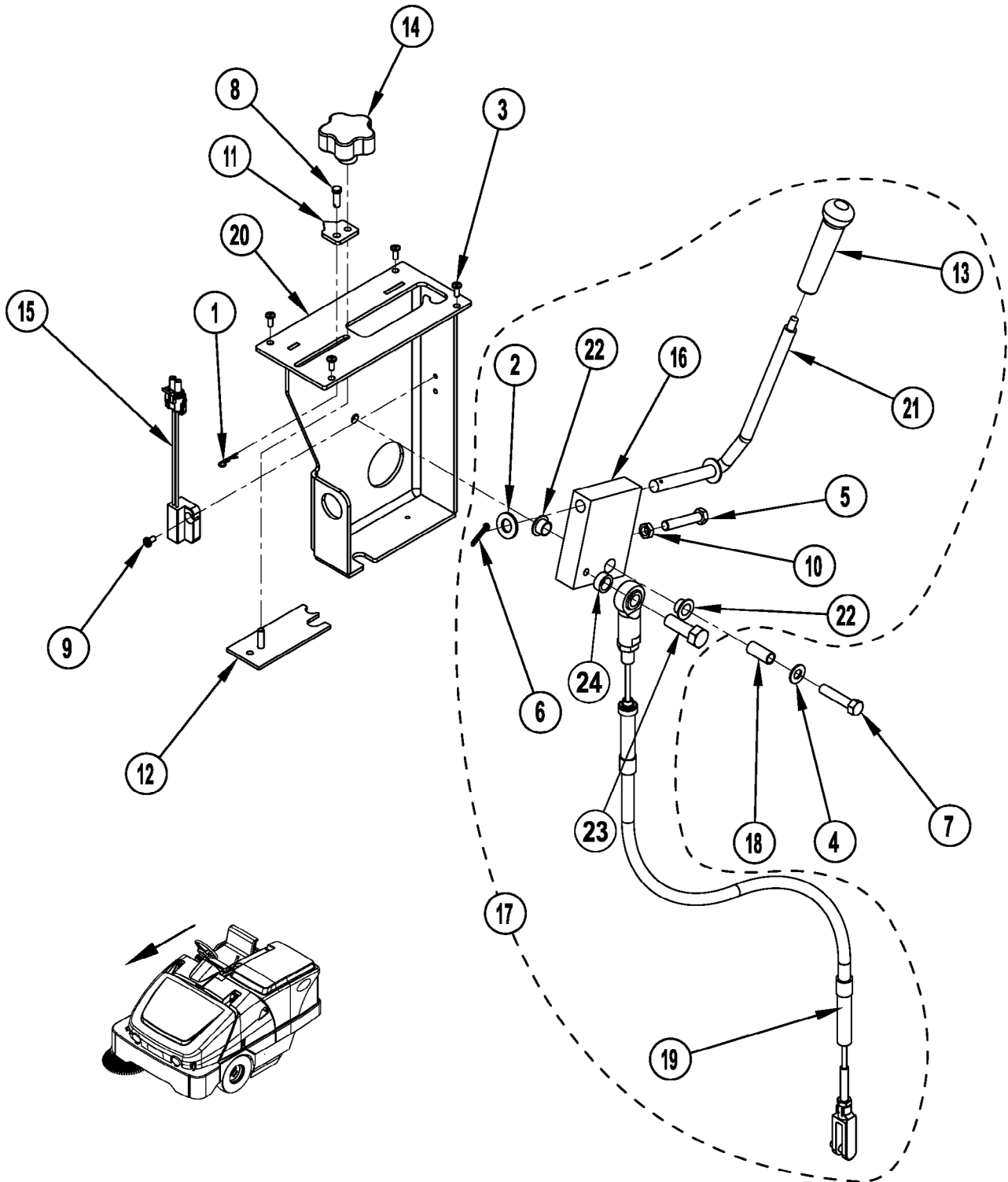
08-5



Item	Ref. No.	Qty	Description
	56507784	1	Pump Assembly (items 1-12) (only used on 3 cyl models)
1	56418866	1	Coupling, #8 Test Port
2	56001831	2	Scr, Hex 1/2-13 X 1.25
3	56001879	2	Wsh, Flt SAE 1/2
4	56488612	2	Connector, O-Ring
5	56507785	1	Pump With Return Assy (items 13-23)
6	56900005	1	Connector, O-Ring
7	56900305	1	Elbow, 90 W/Nut
8	56900345	1	Tee, Run W/Nut
9	56900003	1	Connector, O-Ring
10	56900391	1	Connector, O-Ring
11	56900392	1	Elbow, 90 O-Ring
12	56900466	1	Reducer Nut
13	56001858	2	Scr, Hex 3/8-16 x 1.25
14	56001954	2	Wsh, Flt SAE #10
15	56002063	2	Wsh, Flt SAE 3/8
16	56002829	2	Scr, Hex Hd Loc 10-24 x .62
17	56003737	2	Pin, Dwl Std .19 x .50
18	56507512	1	Spacer
19	56507513	1	Adapter
20	56507514	1	Shaft
21	56507786	1	Pump, Hydrostatic and Gear Assy (includes items 13, 15, 22 & 23)
22	56507791	1	Pump, Hydrostatic (includes items labeled "A")
	56507136	1	Seal Kit for 56507791
23	56507792	1	Pump, Gear

NOTE: Items 1-23 are only used on 3 cylinder models.

	56507613	1	Pump Assembly (items 24-35) (used on 4 cyl models)
24	56418866	1	Coupling, #8 Test Port
25	56900205	1	Tee, Run O-Ring
26	56001879	2	Wsh, Flt SAE 1/2
27	56001968	2	Scr, Hex 1/2-13 X 1.50
28	56507511	1	Hydrostatic/Aux Pump Assy (items 36-39)
29	56900017	1	Connector, O-Ring
30	56900116	1	Elbow, 90 O-Ring
31	56900119	1	Elbow, 90 O-Ring
32	56900357	1	Elbow, 45 O-Ring W/Nut
33	56900358	1	Elbow, 90 W/Nut -20
34	56900391	1	Connector, O-Ring
35	56900466	1	Reducer Nut
36	56497918	1	Pump, Piston
37	56001858	2	Scr, Hex 3/8-16 x 1.25
38	56002063	2	Wsh, Flt SAE 3/8
39	56507069	1	Pump, Gear



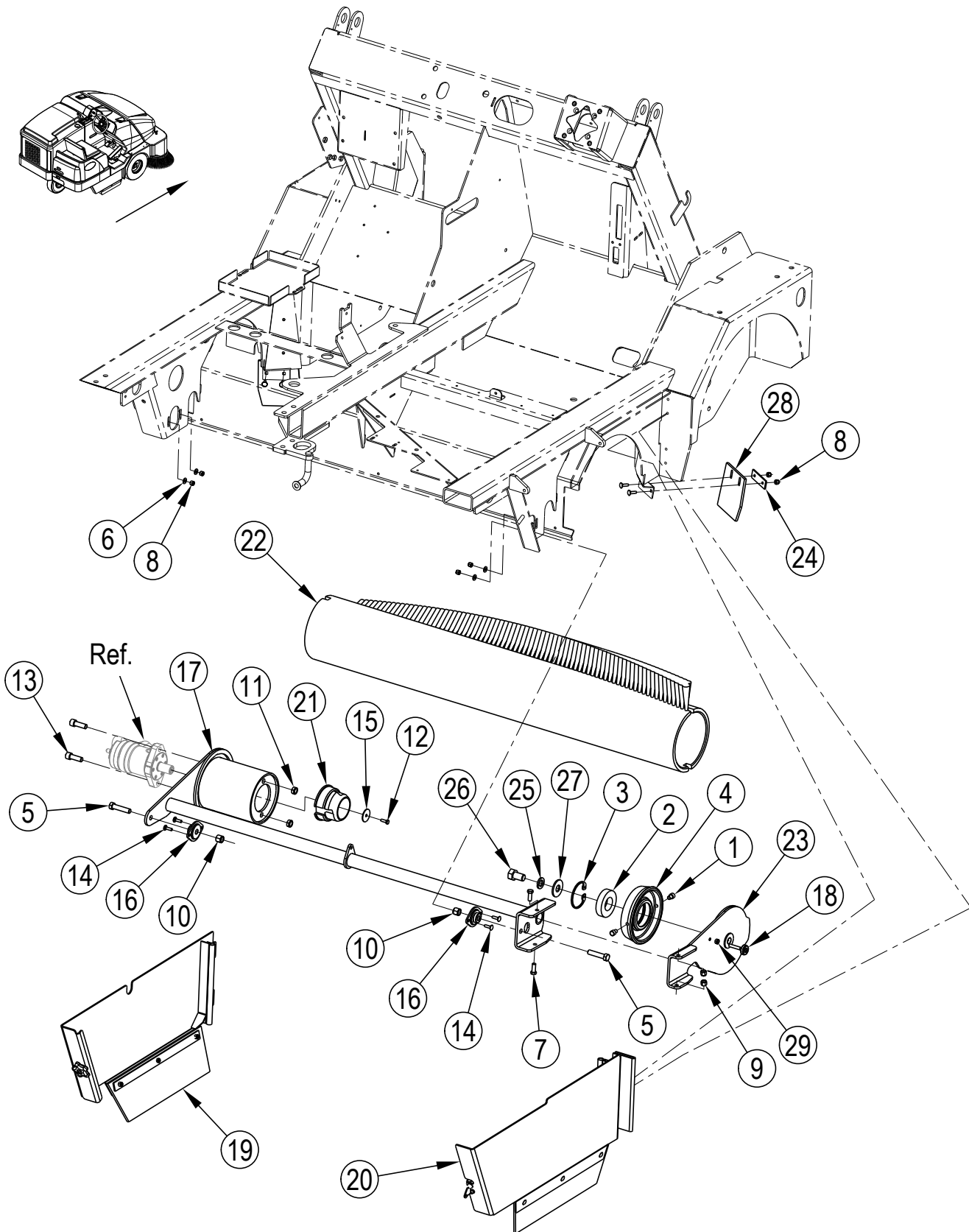
06-12

LIFT BROOM ASSEMBLY

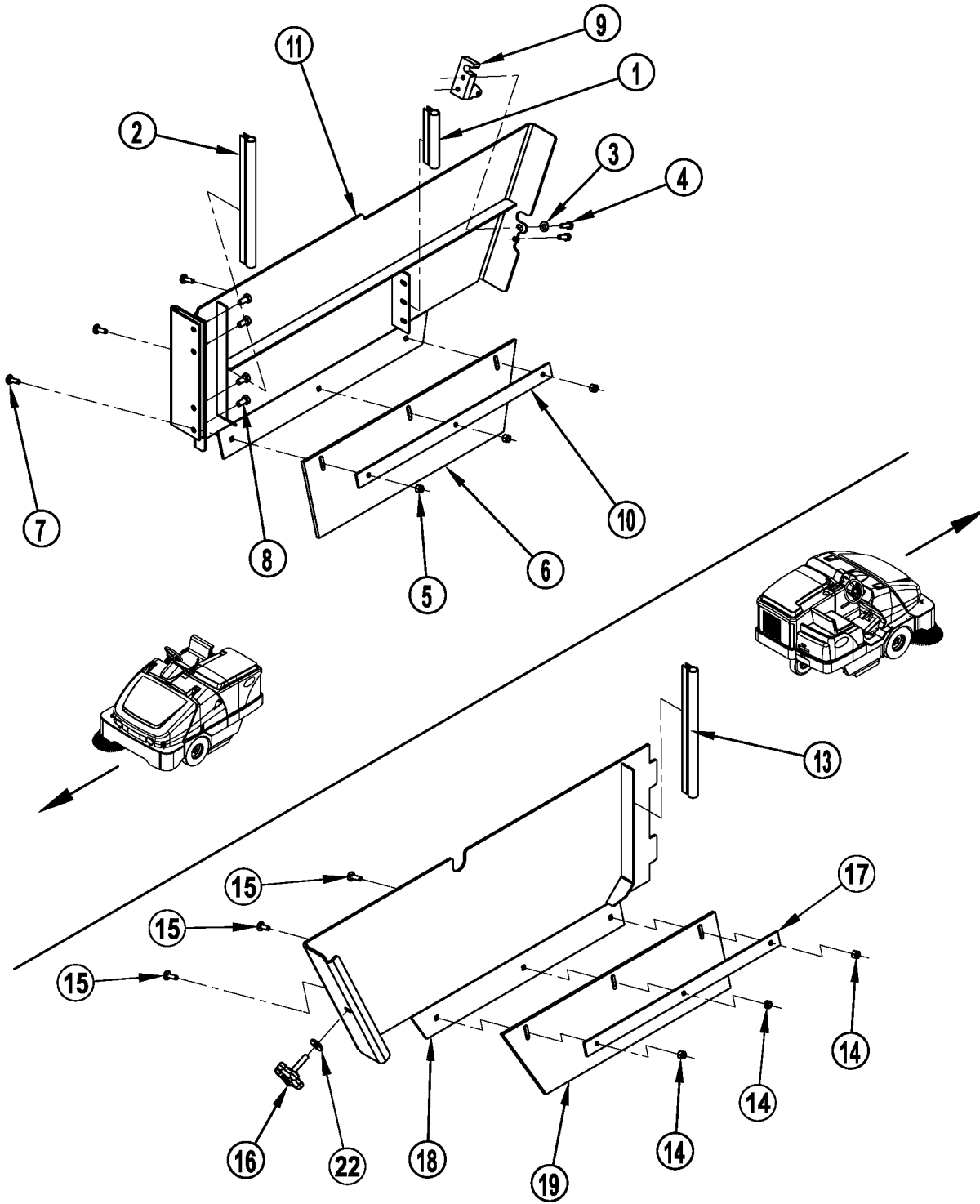
07-7

Exterra™**77**

Item	Ref. No.	Qty	Description
1	56003332	1	Pin, Cot Hair .042 x .188
2	56001879	1	Wsh, Flt SAE 1/2
3	56001993	4	Scr, Pan Phil 10-24 x .50
4	56002063	1	Wsh, Flt SAE 3/8
5	56002091	1	Scr, Hex 3/8-16 x 2.00
6	56002529	1	Pin, Cotter 1/8 x 1
7	56003771	1	Scr, Hex Hd Loc 3/8-16 x 1.75 Grade 8
8	56003663	1	Pin, Clevis .25 x .75
9	56009030	1	Scr, Pan Phil Thd Form 10-24 x .38
10	56009085	1	Nut, Hex Jam 3/8-16
11	56304821	1	Plate, Indicator
12	56304822	1	Stop Plate Weldment
13	56305010	1	Knob, Broom
14	56305030	1	Knob, Adjust
15	56305053	1	Sensor, Proximity
16	56507109	1	Block, Broom Arm Pivot
17	56507110	1	Broom Arm Pivot Assembly (items 2, 5, 6, 10, 13, 16, 19, 21-24)
18	56507111	1	Bushing, 0.5 Dia x 1.12
19	56508742	1	Cable, Broom Lift Assy
20	56507403	1	Broom Lift Weldment (grey)
	56508666	1	Broom Lift Weldment (green / Advance model 56307252)
21	56507408	1	Handle, Broom Lift
22	56507560	2	Bearing, Pivot
23	56003778	1	Scr, Hex Loc 1/2-20 x 1.50 Grade 8
24	56051691	1	Spacer, Steel



Item	Ref. No.	Qty	Description
1	2-00-04886	2	Shoulder Bolt
2	2-00-04889	1	Bearing
3	2-00-04890	1	Retaining Ring
4	8-33-09090	1	Hub
5	56001920	2	Scr, Hex 1/2-13 x 2.25
6	56002098	4	Wsh, Flt Sae 1/4
7	56002663	2	Scr, Hex 3/8-16 x 1.00
8	56002708	11	Nut, Hex Nyl Loc 1/4-20
9	56002769	2	Nut, Hex Nyl Loc 3/8-16
10	56002770	2	Nut, Hex Nyl Loc 1/2-13
11	56002843	2	Nut, Hex Nyl Loc-Thin 1/2-13
12	56002948	1	Scr, Hex Hd Loc 1/4-20 x .75
13	56002972	2	Scr, Soc Hd 1/2-13 x 1.50
14	56003721	8	Scr, Carriage 1/4-20 x .88
15	56009225	1	Wsh, Fender .281 x 1.50 x .074
16	56507230	2	Bearing
17	56507232	1	Broom Hanger Weldment
18	56382765	1	Leveler 5/16-18
19	56507396	1	Left Broom Door Assy (see Main Broom System-2)
20	56507397	1	Right Broom Door Assy (see Main Broom System-2)
21	56507423	1	Hub
22	56507424	1	Main Broom, Proex-Wire (standard)
23	56507561	1	Bracket, Broom Weldment
24	56508248	2	Strap, Front Tire Rear Flap
25	2-00-00522	1	Split Lock Washer 3/4
26	2-00-04887	1	Scr, Hex Hd 3/4-10 X 1.25
27	8-75-01157	1	Thrust Washer .812 Id X 2.00 OD
28	56508247	2	Flap, Front Tire Trail
29	56002851	1	Nut, Hex Nyl Loc-Thin SS 5/16-18



06-12

MAIN BROOM ASSEMBLY - 2

08-6

Exterra™**81**

Item	Ref. No.	Qty	Description
	56507397	1	Right Broom Door Assembly (items 1-11)
1	56508377	1	Gasket
2	56508376	1	Gasket
3	56002098	1	Wsh, Flt SAE 1/4
4	56002948	2	Scr, Hex Hd Loc 1/4-20 x .75
5	56002708	3	Nut, Hex Nyl Loc 1/4-20
6	56507417	1	Flap, Door
7	56003721	3	Scr, Carriage 1/4-20 x .88
8	56002929	4	Scr, Hex Hd Loc 5/16-18 x .62
9	56413802	1	Latch, RH
10	56507118	1	Strap, Door Flap
11	56507413	1	Door, Broom RT Weldment
	56507396	1	Left Broom Door Assembly (items 13-19)
13	56508376	1	Gasket
14	56002708	3	Nut, Hex Nyl Loc 1/4-20
15	56003721	3	Scr, Carriage 1/4-20 x .88
16	56315374	1	Knob, 5/16
17	56507118	1	Strap, Door Flap
18	56507416	1	Door, Broom LT Weldment
19	56507417	1	Flap, Door
22	56009122	1	Wsh, Flt .344 x .938 x .125

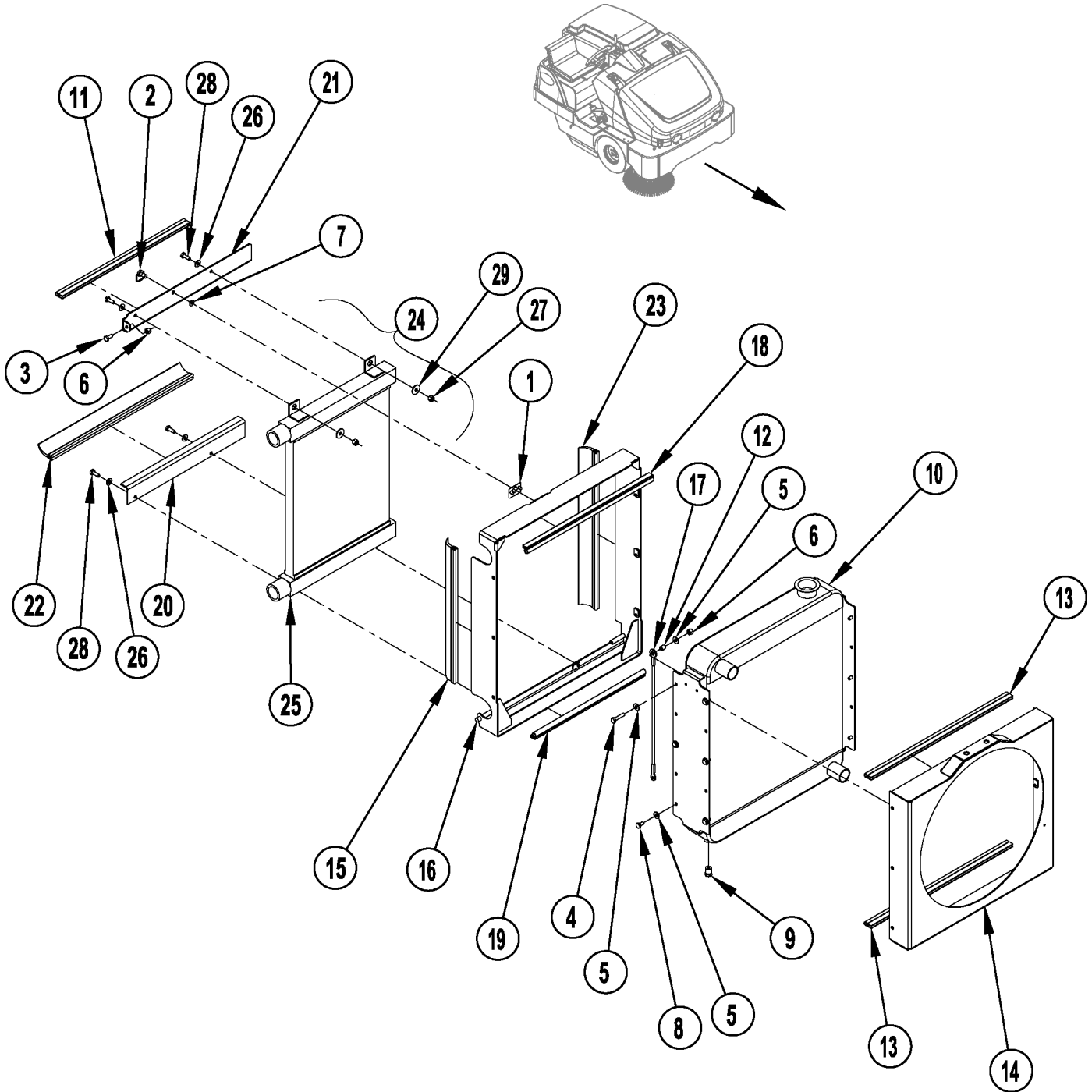
RADIATOR ASSEMBLY

06-12

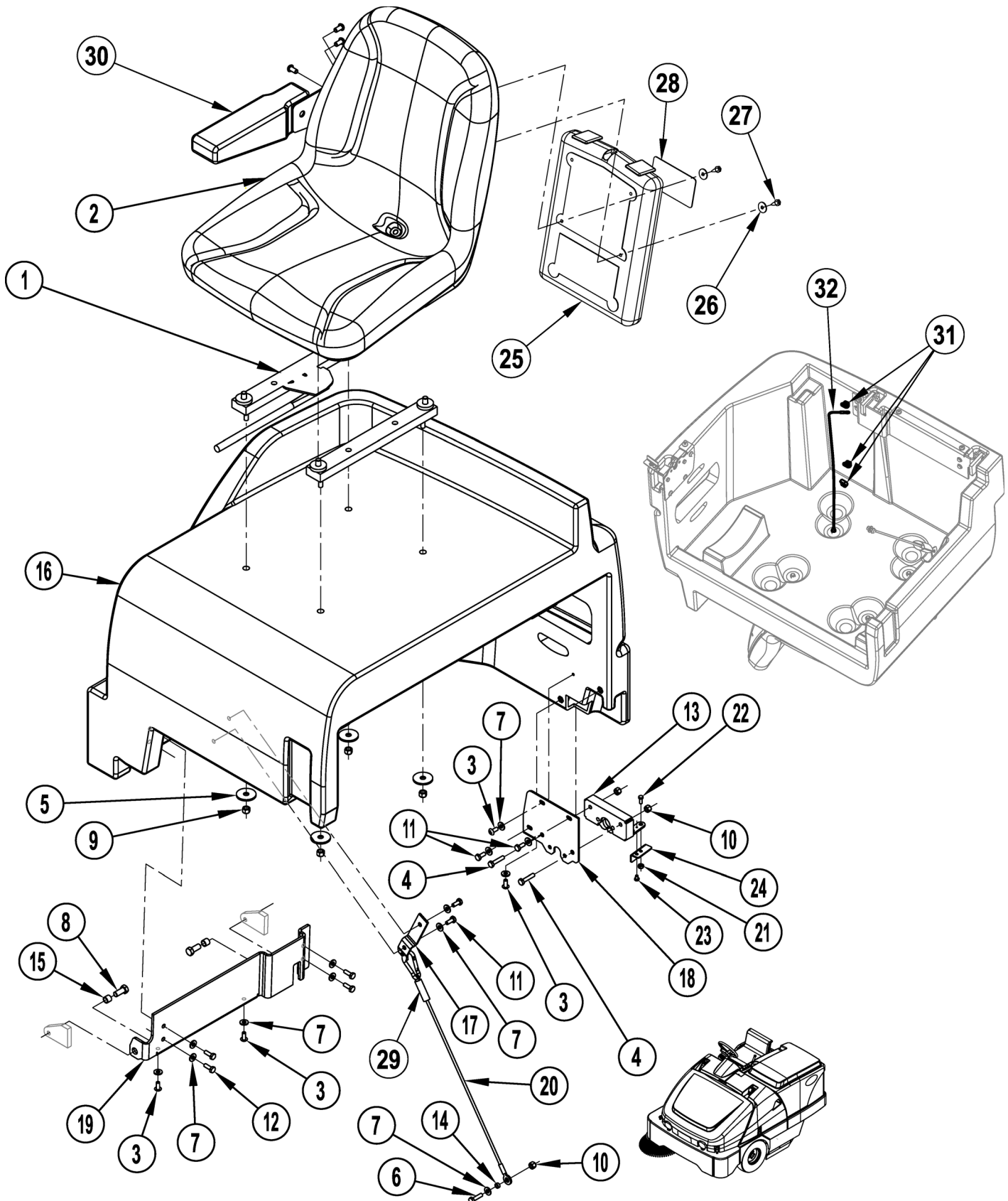
82

Exterra™

07-4



Item	Ref. No.	Qty	Description
		1	Radiator Assembly (items 1-24) (used on GM engine models)
		1	Radiator Assembly (items 1-24) (used on Kubota engine models)
1	7-23-03108	1	U Clip-Screw-Captivated
2	7-23-03113	1	Fastener-Qtr. Turn
3	56001836	1	Scr, Hex 1/4-20 x .62
4	56001878	1	Scr, Hex 1/4-20 x 1.25
5	56002098	13	Wsh, Flt SAE 1/4
6	56002708	2	Nut, Hex Nyl Loc 1/4-20
7	7-23-03106	1	Washer-Screw-Captivated
8	56003039	11	Scr, Hex Hd Loc 1/4-20 x .50
9	56740136	1	Plug, Pipe
10	56305316	1	Radiator
*	56456431	1	Radiator Cap (std)
*	56305638	1	Radiator Cap (small)
11	56508435	1	Gasket
12	56321532	1	Bushing .25 x .37 x .40
13	56418955	2	Gasket
14	56508413	1	Shroud, Radiator (used on GM engine models, 56508412)
	56508194	1	Shroud, Radiator (used on Kubota engine models, 56508198)
15	56508315	1	Gasket, Radiator
16	56508240	1	Shroud, Cooler Weldment
17	56508304	1	Cable Assy
18	56508309	1	Trim-Seal
19	56508310	1	Trim-Seal
20	56508311	1	Bracket
21	56508312	1	Bracket
22	56508313	1	Gasket, Radiator
23	56508314	1	Gasket, Radiator
24	56507608	1	Oil Cooler Assembly (items 25-29)
25	56463678	1	Cooler, Oil
26	56002098	4	Wsh, Flt SAE 1/4
27	56002708	2	Nut, Hex Nyl Loc 1/4-20
28	56002948	4	Scr, Hex Hd Loc 1/4-20 x .75
29	56009002	2	Wsh, Flt .266 x .906 x .060



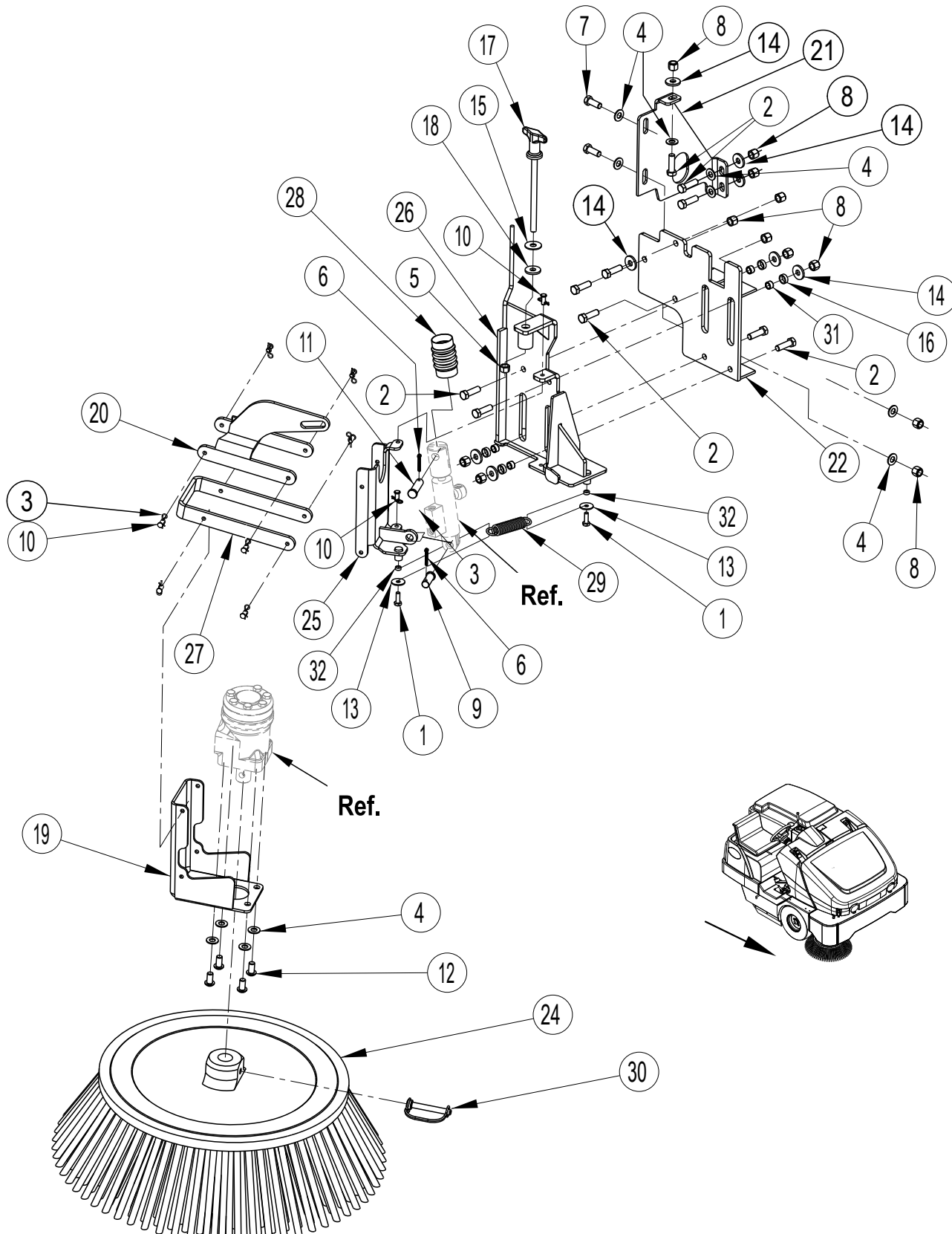
06-12

SEAT ASSEMBLY

09-8

Exterra™**85**

Item	Ref. No.	Qty	Description
1	7-72-05005	1	Slide, Seat
2	7-69-00008	1	Seat
3	56009120	4	Scr Pan Phil SS Type B 1/4-14 x .62
4	56001878	2	Scr, Hex 1/4-20 x 1.25
5	56009242	4	Wsh, Flt .406 x 1.500 x .125
6	56001836	1	Scr, Hex 1/4-20 x .62
7	56002098	13	Wsh, Flt SAE 1/4
8	56002271	2	Scr, Hex 3/8-16 x .88
9	56002701	4	Nut, Hex Nyl Loc 5/16-18
10	56002708	3	Nut, Hex Nyl Loc 1/4-20
11	56002922	4	Scr, Hex Hd Loc 1/4-20 x .62
12	56002948	4	Scr, Hex Hd Loc 1/4-20 x .75
13	56304827	1	Latch, RH
14	56163872	1	Bushing
15	56388326	2	Bushing
16	56507088	1	Seat Support (grey)
	56508672	1	Seat Support (green / Advance model 56307252)
17	56508097	1	Bracket
18	56508322	1	Bracket Seat Latch Mtg
19	56508330	1	Seat Pivot Weldt
20	56508335	1	Cable Assembly
21	56002832	1	Nut, Hex Nyl Loc-Thin 10-24
22	56009039	1	Scr, Hex Thd Form 10-24 x .50
23	56009063	1	Scr, Hex Thd Form 10-24 x .25
24	56508452	1	Handle Latch
25	56306120	1	Box, Waterproof (Advance model 56307252)
26	56009002	2	Wsh, .266 x .906 x .060 (Advance model 56307252)
27	56002736	2	Scr, Hex Tek 1/4-14 x .75 (Advance model 56307252)
28	56306144	1	Decal, Warning (Advance model 56307252)
29	56508774	1	Shrink Tube .75 x 2.5
30	7-03-04250	1	Arm Rest
31	56507793	3	Clip, Conduit
32	56508924	1	Wire-Assembly



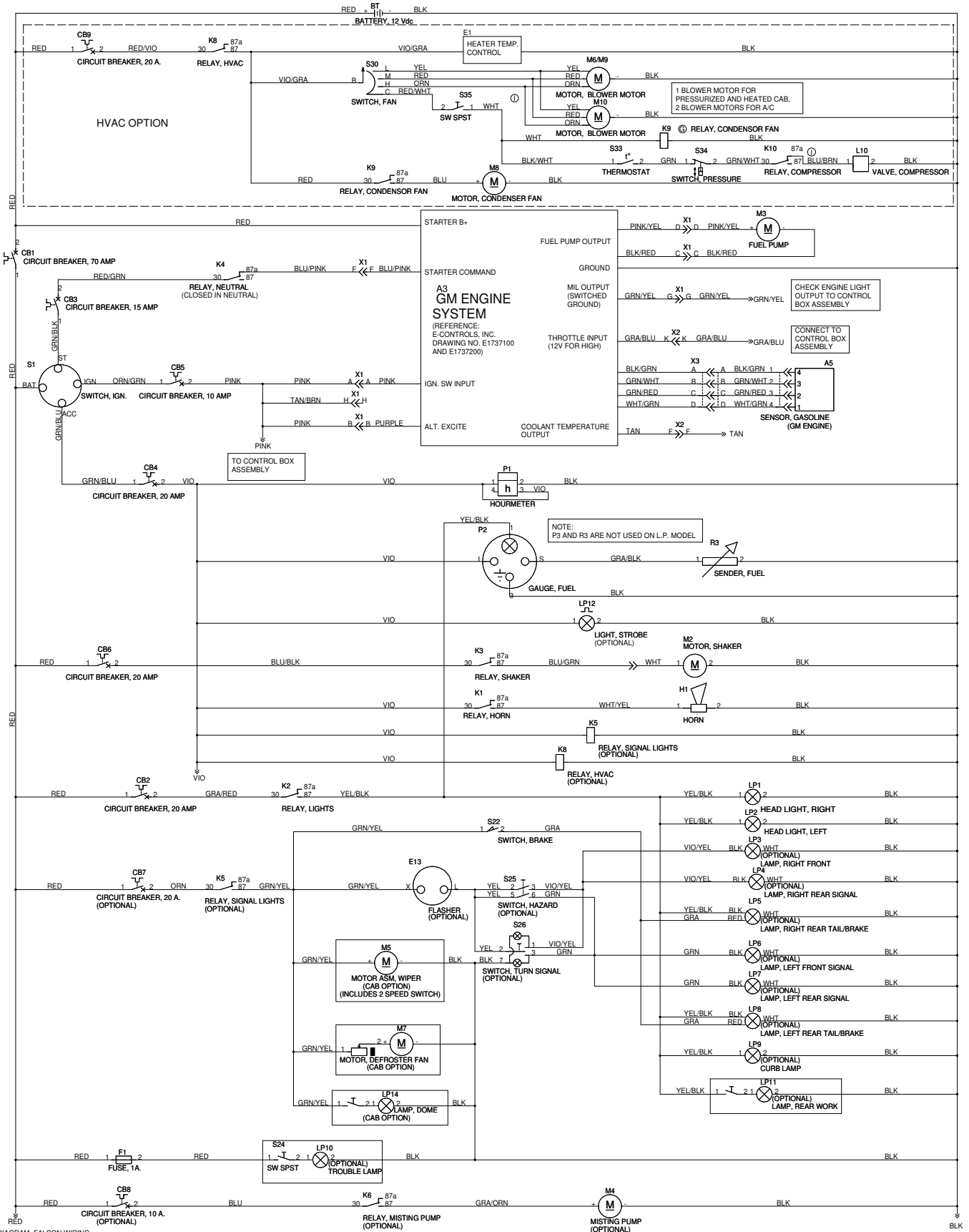
06-12

SIDE BROOM SYSTEM

10-12

Exterra™**87**

Item	Ref. No.	Qty	Description
1	56002948	2	Scr, Hex Hd Loc 1/4-20 x .75
2	56001858	10	Scr, Hex 3/8-16 x 1.25
3	56003530	10	Cotter, Hair Pin
4	56002063	11	Wsh, Flt SAE 3/8
5	56002123	1	Nut, Hex Machine 3/8-16
6	56002529	2	Pin, Cotter 1/8 x 1
7	56002663	2	Scr, Hex 3/8-16 x 1.00
8	56002769	12	Nut, Hex Nyl Loc 3/8-16
9	56003514	1	Pin, Clevis .50 x 1.25
10	56003727	10	Pin, Clevis .25 x .625
11	56003728	1	Pin, Clevis .50 x 1.75
12	56003729	4	Scr, Soc Hd But 3/8-16 x .75
13	56009002	2	Wsh, Flt .266 x .906 x .060
14	56009107	8	Wsh, Flt SS .378 x 1.000 x .120
15	56151068	1	Washer, Fibre
16	56365030	4	Bushing
17	56413576	1	Knob
18	56413599	1	Washer, Rubber
19	56507078	1	Mount, Side Broom Motor
20	56507080	1	Linkage, Side Broom Weldment
21	56507122	1	Bracket
22	56507148	1	RH Bracket Weldment
24	56507350	1	Side Broom - Polypropylene
25	56507502	1	Bracket, Side Broom Pivot
26	56507601	1	Bracket, Side Broom Mount
27	56507633	1	Side Broom Linkage
28	56507634	1	Side Broom Cylinder Bellows
29	56507707	1	Spring, Side Broom
30	56508392	1	Pin, T-Lock
31	56508363	4	Bushing, .377 x .49 x .29
32	56163872	2	Bushing



Item	Ref. No.	Qty	Description	Item	Ref. No.	Qty	Description
A3	56508398	1	Controller	P1	56393718	1	Hourmeter
A5	56507951	1	Manifold, Fuel (GM Engine only)	P2#	8-48-05032	1	Gauge, Fuel (not used on LPG models)
BT	0875-008	1	Battery, 12Vdc	P3	56304589	1	Gauge, Combination (optional- LPG)
CB1	56454429	1	Circuit Breaker, 70 Amp, Main		56304569	1	Gauge, Combination (optional- Petrol and Diesel)
CB2	56413822	1	Circuit Breaker, 20 Amp, Headlights	R1	N/A	1	Sender, Oil Pressure (optional)
CB3	56413407	1	Circuit Breaker, 15 Amp, Starter	R3	56478358	1	Sender, Fuel (not used on LPG models)
CB4	56413822	1	Circuit Breaker, 20 Amp, Accessories	S1	56418685	1	Switch, Ignition
CB5	56507644	1	Circuit Breaker, 10 Amp, Ignition		56315435	1	Switch, Ignition (used on Advance model 56307252)
CB6	56413822	1	Circuit Breaker, 20 Amp, Shaker	S22	56508191	1	Switch, Brake
CB7	56413822	1	Circuit Breaker, 20 Amp (signal lights option)	S24	N/A	1	Switch (part of LP10)
CB8	56507644	1	Circuit Breaker, 10 Amp (misting pump option)	S25	56507889	1	Switch, Hazard (optional)
CB9	N/A	1	Circuit Breaker, 40 Amp (for cab option)	S26	56507888	1	Switch, Turn Signal (optional)
E1	56508776	1	Heat Temp. Control	S30		1	Switch, Fan
E13	56507887	1	Flasher (optional)	S33	56508899	1	Thermostat
F1	N/A	1	Fuse, 1 Amp	S34	56508871	1	Switch, Pressure
H1	56442054	1	Horn	S35	56507889	1	Switch SPST
K1	56418387	1	Relay, Horn				
K2	56418387	1	Relay, Lights				
K3	56418387	1	Relay, Shaker				
K4	56418387	1	Relay, Neutral				
K5	56418387	1	Relay, Signal Lights (optional)				
K6	56418387	1	Relay, Misting Pump (optional)				
K8	56418387	1	Relay, HVAC (HVAC option)				
K9	56508897	1	Relay, Condenser Fan (HVAC option)				
K10	56418387	1	Relay, Compressor (HVAC option)				
L10	56508798	1	Valve, Compressor (HVAC option)				
LP1	56507223	1	Head Light, Right				
LP2	56507223	1	Head Light, Left				
LP3	56507113	1	Lamp, Right Front (optional)				
LP4	56507113	1	Lamp, Right Rear Signal (optional)				
LP5	56507112	1	Lamp, Right Rear Tail/Brake (optional)				
LP6	56507113	1	Lamp, Left Front Signal (optional)				
LP7	56507113	1	Lamp, Left Rear Signal (optional)				
LP8	56507112	1	Lamp, Left Rear Tail/Brake (optional)				
LP9	56507830	1	Lamp, Curb (optional)				
LP10	56305627	1	Lamp, Trouble (optional)				
LP11	56507830	1	Lamp, Rear Work (optional)				
LP12	56305223	1	Light, Strobe (optional)				
LP14	56508819	1	Lamp, Dome (cab option)				
M2	56508664	1	Motor, Shaker				
M3		1	Pump, Fuel NOTE 2				
M4	56507851	1	Pump, Misting (optional)				
M5	56508636	1	Motor, Assy Wiper (cab option)				
M6	0882-055	1	Motor, Blower Motor (heater)				
M7	56508820	1	Motor, Defroster Fan (cab option)				
M8	56508896	1	Motor, Condenser Fan				
M9	56508898	1	Motor, Blower Motor (A/C)				
M10	56508898	1	Motor, Blower Motor (A/C)				

* = Not Shown

** = Optional

= Revised or new since last update

NOTE 1: Reference; 56507376 = Ladder Diagram & 56507375 = Wiring Diagram.**NOTE 2:** Part number is dependent on engine, see "ENGINE REPLACEMENT PARTS" of appropriate engine.

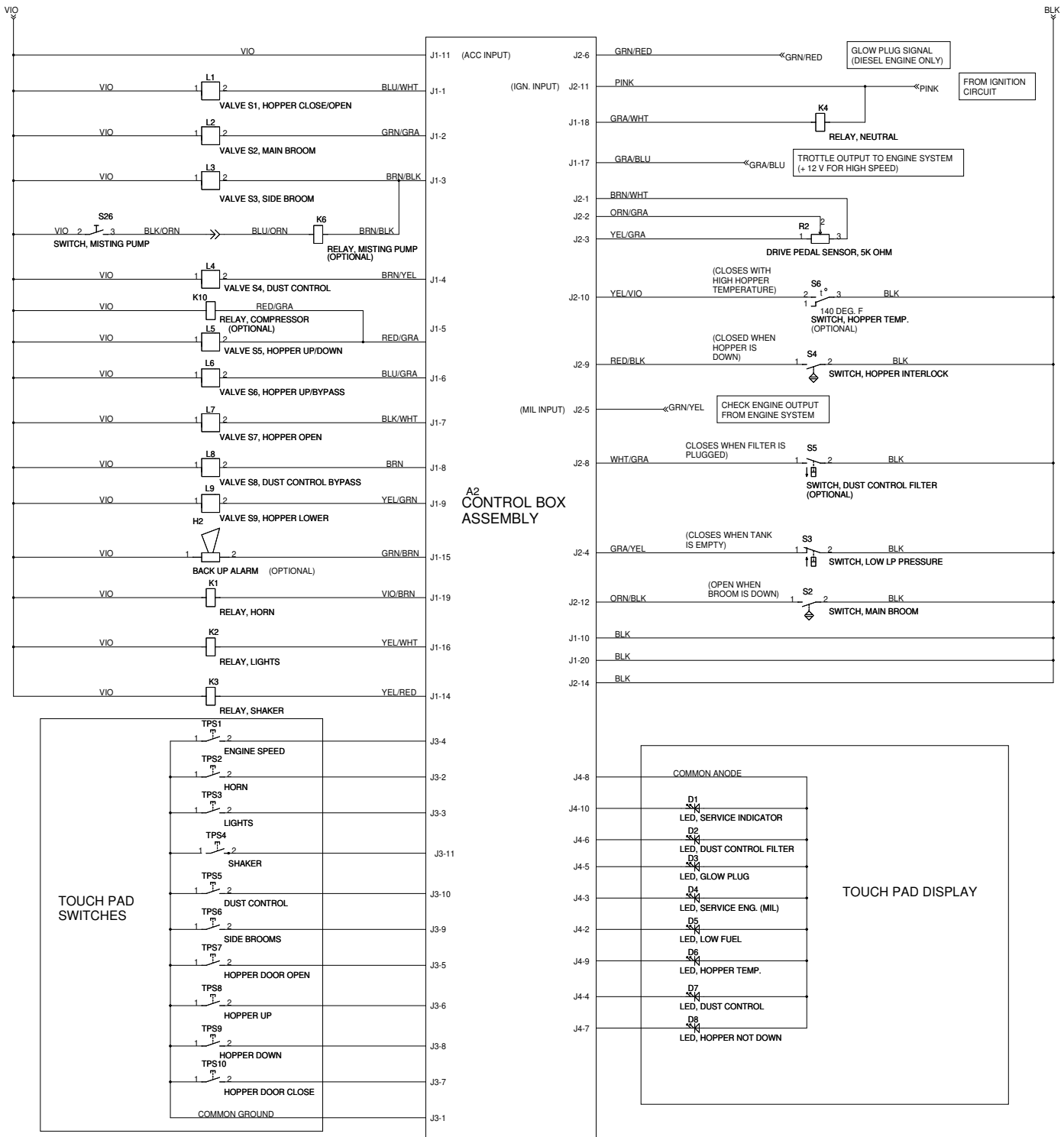
WIRING DIAGRAM-2

06-12

90

Exterra™

09-1

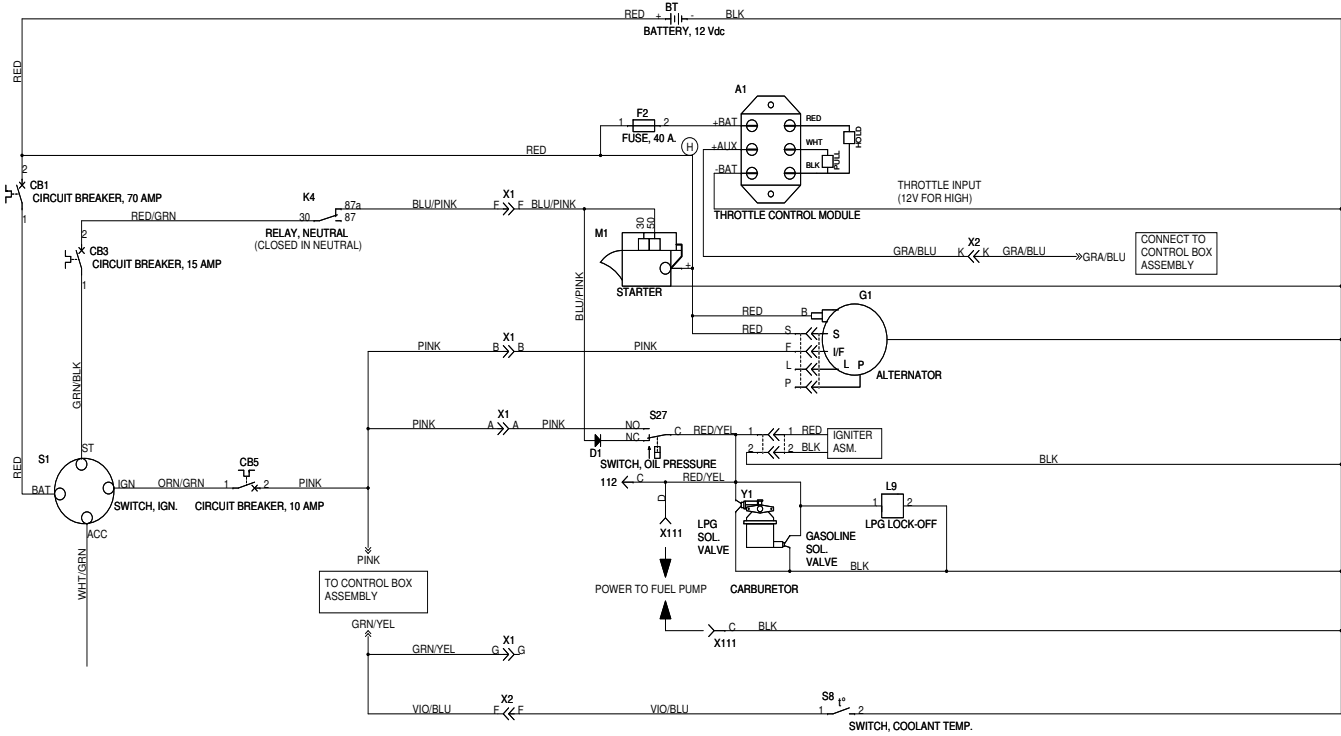


Item	Ref. No.	Qty	Description
A2	56508360	1	Control Box Assy TSBUS2008-1011
H2	56409232	1	Back Up Alarm (optional)
K1	56418387	1	Relay, Horn
K2	56418387	1	Relay, Lights
K3	56418387	1	Relay, Shaker
K4	56418387	1	Relay, Neutral
K6	56418387	1	Relay, Misting Pump (optional)
L1	N/A	1	Valve S1, Hopper Close/Open
L2	N/A	1	Valve S2, Main Broom
L3	N/A	1	Valve S3, Side Broom
L4	N/A	1	Valve S4, Dust Control
L5	N/A	1	Valve S5, Hopper Up/Down
L6	N/A	1	Valve S6, Hopper Up/Bypass
L7	N/A	1	Valve S7, Hopper Open
L8	N/A	1	Valve S8, Dust Control Bypass
L9	N/A	1	Valve S9, Hopper Lower
R2	56305129	1	Drive Pedal Sensor, 5K Ohm
S2	56305053	1	Switch, Main Broom
S3	56418381	1	Switch, Low LP Pressure
S4	56305053	1	Switch, Hopper Interlock
S5	56305518	1	Switch, Dust Control Filter (optional)
S6	56418405	1	Switch, Hopper Temp. (optional)
S26	N/A	1	Switch, Misting Pump (optional)
TPS1	N/A	1	Touch Pad Switch, Engine Speed NOTE 1
TPS2	N/A	1	Touch Pad Switch, Horn NOTE 1
TPS3	N/A	1	Touch Pad Switch, Lights NOTE 1
TPS4	N/A	1	Touch Pad Switch, Shaker NOTE 1
TPS5	N/A	1	Touch Pad Switch, Dust Control NOTE 1
TPS6	N/A	1	Touch Pad Switch, Side Brooms NOTE 1
TPS7	N/A	1	Touch Pad Switch, Hopper Door Open NOTE 1
TPS8	N/A	1	Touch Pad Switch, Hopper Up NOTE 1
TPS9	N/A	1	Touch Pad Switch, Hopper Down NOTE 1
TPS10	N/A	1	Touch Pad Switch, Hopper Door Close NOTE 1

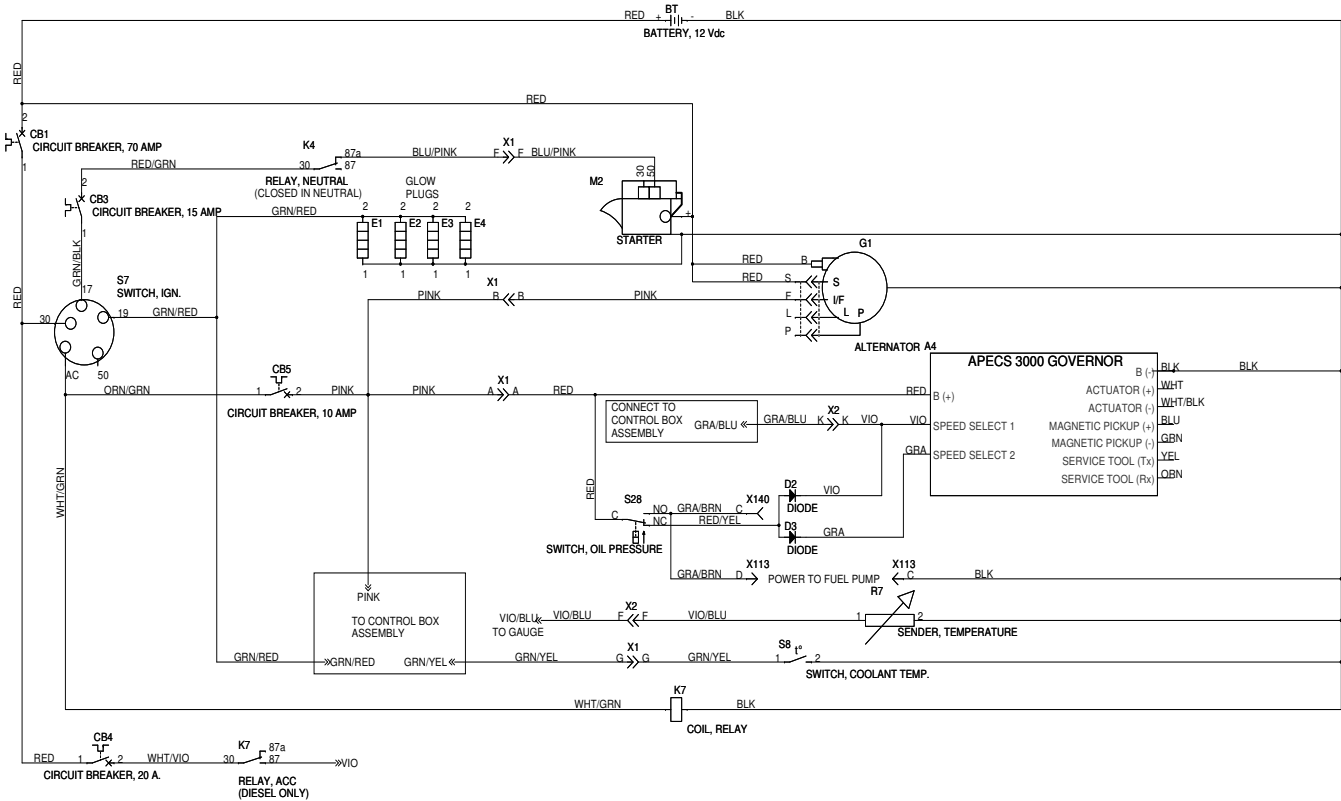
NOTE 1: Part of Touch Pad 56507501 for petrol and LPG or 56508219 for diesel.

NOTE 2: Reference; 56507376 = Ladder Diagram & 56507375 = Wiring Diagram.

KUBOTA 972 ENGINE SYSTEM



KUBOTA DIESEL ENGINE SYSTEM



Kubota 972 Engine System

Item	Ref. No.	Qty	Description
A1	56508446	1	Throttle Control Module
BT	0875-008		Battery, 12 Vdc
CB1	56454429	1	Circuit Breaker, 70 Amp
CB3	56413407	1	Circuit Breaker, 15 Amp
CB5	56507644	1	Circuit Breaker, 10 Amp
D1	N/A	1	Diode
F2	N/A	1	Fuse, 30 Amp (Bussman ATC-40)
G1	56110738	1	Alternator
K4	56418387	1	Relay, Neutral
L9	2-60-02315	1	LPG Lock-Off
M1	56508440	1	Starter
S1	56418685	1	Switch, Ignition
S27	56508444	1	Switch, Oil Pressure
S8	56419091	1	Switch, Coolant Temp.
Y1	N/A	1	Carburetor

Kubota Diesel Engine System

Item	Ref. No.	Qty	Description
A4	56508400	1	ACPECS 3000 Governor
BT	0875-008	1	Battery, 12 Vdc
CB1	56454429	1	Circuit Breaker, 70 Amp
CB3	56413407	1	Circuit Breaker, 15 Amp
CB4	56413822	1	Circuit Breaker, 20 Amp
CB5	56507644	1	Circuit Breaker, 10 Amp
D2	N/A	1	Diode
D3	N/A	1	Diode
E1	N/A	1	Glow Plug
E2	N/A	1	Glow Plug
E3	N/A	1	Glow Plug
E4	N/A	1	Glow Plug
G1	56110738	1	Alternator
K4	56418387	1	Relay, Neutral
K7	56418387	1	Relay, Acc (Diesel only)
M2	56419089	1	Starter
R7	56305873	1	Sender, Temperature
S7	56497754	1	Switch, Ignition
S8	56419091	1	Switch, Coolant Temp.
S28		1	Switch, Oil Pressure

NOTE 1: Reference; 56507376 = Ladder Diagram & 56507375 = Wiring Diagram.

OPTIONAL KITS & ACCESSORIES

06-12

94

Exterra™

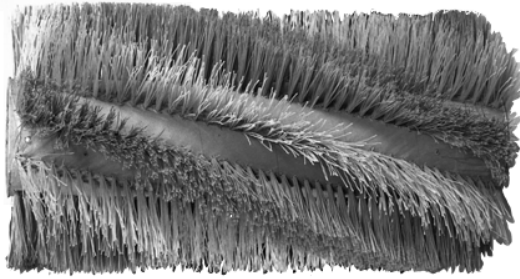
12-5

Item	Ref. No.	Qty	Description	Item	Ref. No.	Qty	Description
Options				Main Brooms			
**	56507184	1	Left Side Broom Option	**	56507424	1	Main Broom-Proex-Wire
**	56507228	1	Tilt Steering Option	**	56507340	1	Main Broom-Proex-Wire Chevron
**	56507025	1	Cab Heater & Pressurizer Option NOTE 3	**	56507342	1	Main Broom-Proex-Wire-12 Row
**	56507021	1	Cab A/C & Heater Option NOTE 3	**	56507345	1	Main Broom-Nylon
Cab Model Accessories				**	56507341	1	Main Broom-Proex-12 Row
**	56508811	1	Rear Bumper Kit - Cab NOTE 1	**	56507346	1	Main Broom-Proex
**	56508812	1	Broom Guard / Rear Bumper Kit - Cab NOTE 1	**	56507344	1	Main Broom-Polypro-Wire-12 Row
**	56508813	1	Fire Extinguisher Kit - Cab	**	56507343	1	Main Broom-Polypropylene
**	56508663	1	Mirror Option	Side Brooms			
**	56508826	1	Raised Air Intake Kit - Cab NOTE 1	**	56507350	A/R	Side Broom-Polypropylene
Accessories				**	56507351	A/R	Side Broom-Nylon
**	7-03-04250	1	Arm Rest Option (R/H Only)	**	56507352	A/R	Side Broom-Flat Wire
**	56507030	1	Litter Vac Kit NOTE 1	**	56508498	A/R	Side Broom Poly 41
**	56507027	1	Fire Extinguisher Kit NOTE 1	**	56508499	A/R	Side Broom Nylon 41
**	56507029	1	Hopper Temp Sensor Kit NOTE 1	** = Optional, Not Included			
**	56507036	1	Plugged Filter Switch Kit NOTE 1	NOTE 1: Replacement parts for the kits listed above can be found on each kit's			
**	56507033	1	Raised Air Intake Kit W/O OHG NOTE 1				
**	56507041	1	Raised Air Intake Kit W/ OHG NOTE 1				
**	56507037	1	Foam Filled Tire Kit				
**	56508873	1	Solid Tire Kit				
**	56508874	1	Non Marking Solid Tire Kit				
**	56507023	1	Backup Alarm Kit NOTE 1				
**	56507024	1	Brake / Signal Light Kit NOTE 1				
**	56507034	1	Work Light Kit NOTE 1				
**	56507038	1	Amber Strobe W/O OHG Kit NOTE 1				
**	56507039	1	Amber Strobe W/ OHG Kit NOTE 1				
**	56508825	1	Amber Strobe Cab (cab models)				
**	56507394	1	OHG Kit (Over Head Guard) NOTE 1				
**	56508905	1	Canopy Kit (for OHG Kit 56507394) NOTE 1				
**	56507040	1	Suspension Seat Kit NOTE 1				
**	56507035	1	Seat Belt Kit NOTE 1				
**	56304589	1	Gauge 3 in 1 (LPG Option)				
**	56304569	1	Gauge 4 in 1 (Petrol & Diesel Option)				
**	56508722	1	Kubota Diesel Gauge Kit NOTE 1				
**	56508438	1	4 Cyl GM Petrol Gauge Kit NOTE 1				
**	56508439	1	4 Cyl GM LPG Gauge Kit NOTE 1				
**	56507850	1	Side Broom Misting Kit NOTE 1				
**	56508364	1	Right Side Broom Guard Kit NOTE 1				
**	56508365	1	Left Side Broom Guard Kit NOTE 1				
**	56508720	1	Rear Bumper Kit NOTE 1				
**	56508741	1	Broom Guard / Rear Bumper Kit NOTE 2				
**	8-24-04139-1	1	Filter Panel Ultra-Web Cellulose				
**	8-24-04139-2	1	Filter Panel Ultra-Web Water Resistant				
**	56508953	1	Filter-HEPA				
**	56508433	1	Floor Mat Kit				
**	56508889	1	Hopper Bottom Plate Kit				
**	56109084	1	Engine Service Kit (GM)				
**	7-90-08016	1	Diagnostics Cable (GM)				
**	56109083	1	Engine Diagnostics Adapter (GM)				
**	56504450	1	Kit, LP Test (No Cables) (GM)				
**	56508436	1	3 Cyl Kubota LPG Gauge Kit NOTE 1				
**	56508437	1	3 Cyl Kubota Petro Gauge Kit NOTE 1				
**	56044389	A/R	Exterra Literature Pack				
**	56044409	A/R	Exterra (cab) Literature Pack				
**	56504516	1	Kit-Hydraulic Test				
**	56504528	1	Cable-Engine-Diagnostic-Gen 2/3 to 1 (GM1.6L)				

associated instruction sheet.

NOTE 2: Consists of 56508364, 56508365 & 56508720.

NOTE 3: Factory installed kit only for cab models.



**Main Broom: 56507424 Proex & Wire (STD.) (8 Double Rows)
56507340 Proex & Wire (optional) (Chevron)
56507342 Proex & Wire (optional) (12 D-Rows)**

This broom has a more aggressive cleaning action, used to pick up heavier debris.

56507345 Nylon (optional) (8 D-Rows)

General purpose broom that can be used for all types of light soil. High wear material so uneven surfaces do not cause excessive wear. Nylon has a high heat deflection temperature, is chemical resistant and will absorb water in wet conditions. Truly a general purpose broom.

56507341 Proex (optional) (12 Double Rows)

56507346 Proex (optional) (8 Double Rows)

Synthetic fiber made of polypropylene designed to pick up paper gravel, sand and other lighter less bulky litter.

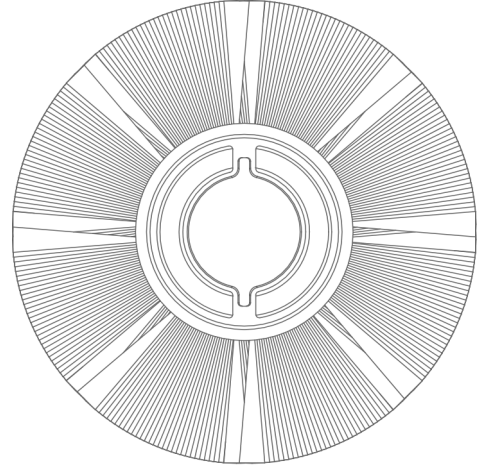
56507344 Polypropylene/Wire (optional) (12 D-Rows)

56507343 Polypropylene (optional) (8 D-Rows)

8 Double Row

Length.....50" (127.6 cm)

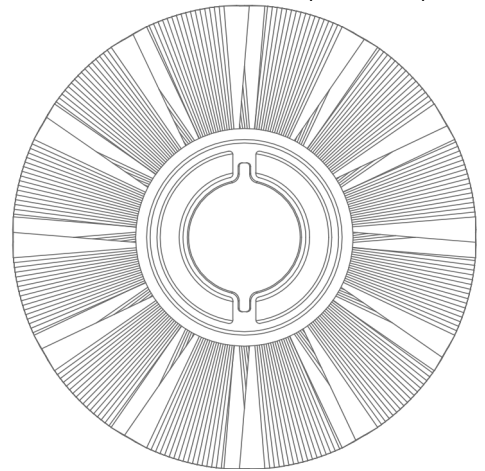
Diameter.....14" (35.56 cm)



12 Double Row

Length.....50" (127.6 cm)

Diameter.....14" (35.56 cm)



Side Broom: 56507350 Polypropylene 30° (STD.)

The side broom function is to sweep the dirt and debris away from the curb, wall, pallet, etc. into the path of the main broom.

56507351 Nylon 30° (optional)

56507352 Wire 30° (optional)

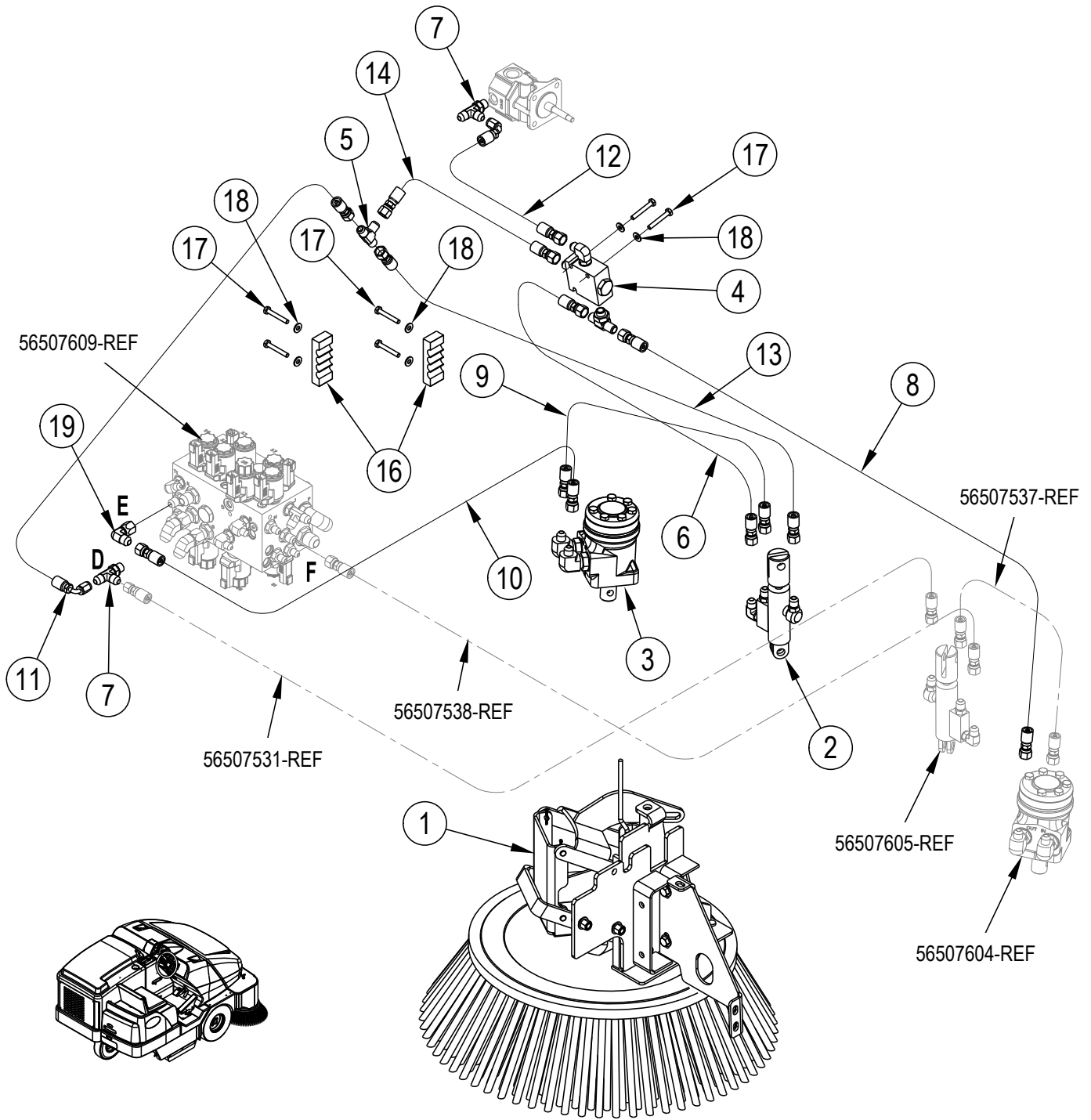
56508498 Polypropylene 41° (optional)

56508499 Nylon 41° (optional)

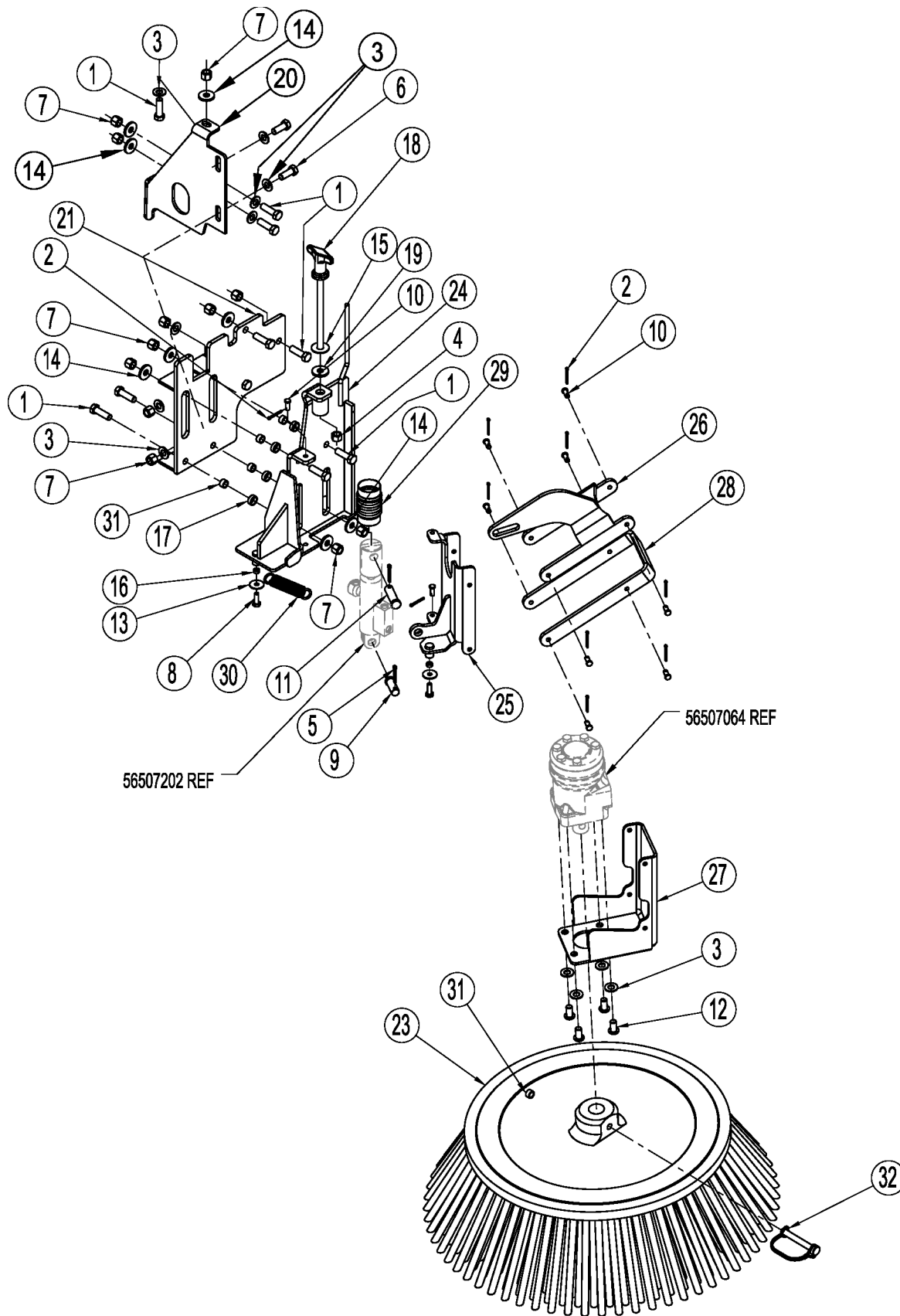


(30°) Diameter.....22" (58 cm)

(41°) Diameter.....26" (66 cm)



Item	Ref. No.	Qty	Description
1	56507026	1	Left Hand Side Broom Option See Left Hand Side Broom Option-2
2	56507367	1	Side Broom Cylinder Assy, Left
	56507202	1	Cylinder, Side Broom, Left
	56900286	1	Elbow, 90 O-Ring
	56900370	2	Connector, O-Ring
3	56507604	1	Side Broom Motor Assembly
	56507064	1	Side Broom Motor
	56507619	1	Seal Kit (for 56507064)
	56900113	2	Elbow, 90 O-Ring
4	56109781	1	Valve Assy
	56109780	1	Valve, PO Check
	56900003	1	Connector, O-Ring
	56900103	1	Elbow, 90 O-Ring
	56900353	1	Tee, Branch O-Ring
5	56900443	1	Tee, Union
6	56508305	1	Hose, Hydraulic
7	56900201	2	Tee, Run O-Ring
8	56507356	1	Hose, Hydraulic
9	56507537	1	Hose, Hydraulic
10	56507538	1	Hose, Hydraulic
11	56507788	1	Hose, Hydraulic
12	56508308	1	Hose, Hydraulic
13	56508306	1	Hose, Hydraulic
14	56508307	1	Hose, Hydraulic
15	56477613	3	Wire Tie (not shown)
16	56507922	1	Hose Clamp, 1/4 Quadruple
17	56001967	6	Scr, Hex 1/4-20 x 1.75
18	56002098	6	Wsh, Flt SAE 1/4
19	56900303	1	Elbow, 90 W/Nut



06-12

LEFT HAND SIDE BROOM OPTION-2

10-12

Exterra™**99**

Item	Ref. No.	Qty	Description
1	56001858	10	Scr, Hex 3/8-16 X 1.25
2	56002038	10	Pin, Cotter 3/32 X 1.00
3	56002063	11	Wsh, Flt SAE 3/8
4	56002123	1	Nut, Hex Machine 3/8-16
5	56002529	2	Pin, Cotter 1/8 X 1
6	56002663	2	Scr, Hex 3/8-16 X 1.00
7	56002769	12	Nut, Hex Nyl Loc 3/8-16
8	56002948	2	Scr, Hex Hd Loc 1/4-20 x .75
9	56003514	1	Pin, Clevis .50 x 1.25
10	56003727	10	Pin, Clevis .25 x .625
11	56003728	1	Pin, Clevis .50 x 1.75
12	56003729	4	Scr, Soc Hd But 3/8-16 X .75
13	56009002	2	Wsh, Flt .266 X .906 X .060
14	56009107	8	Wsh, Flt SS .378 X 1.000 X .120
15	56151068	1	Washer, Fibre
16	56163872	2	Bushing
17	56365030	4	Bushing
18	56413576	1	Knob
19	56413599	1	Washer, Rubber
20	56507122	1	Bracket
21	56507150	1	LH Bracket Weldment
23	56507350	1	Side Broom-Polypropylene, 30°
24	56507625	1	Side Broom Mounting Bracket
25	56507628	1	Side Broom Pivot Bracket
26	56507629	1	Side Broom Linkage Weldment
27	56507630	1	Side Broom Motor Mount
28	56507633	1	Side Broom Linkage
29	56507634	1	Side Broom Cylinder Bellows
30	56507707	1	Spring, Side Broom
31	56508363	4	Bushing, .377 X .49 X .29
32	56508392	1	Pin, T-Lock

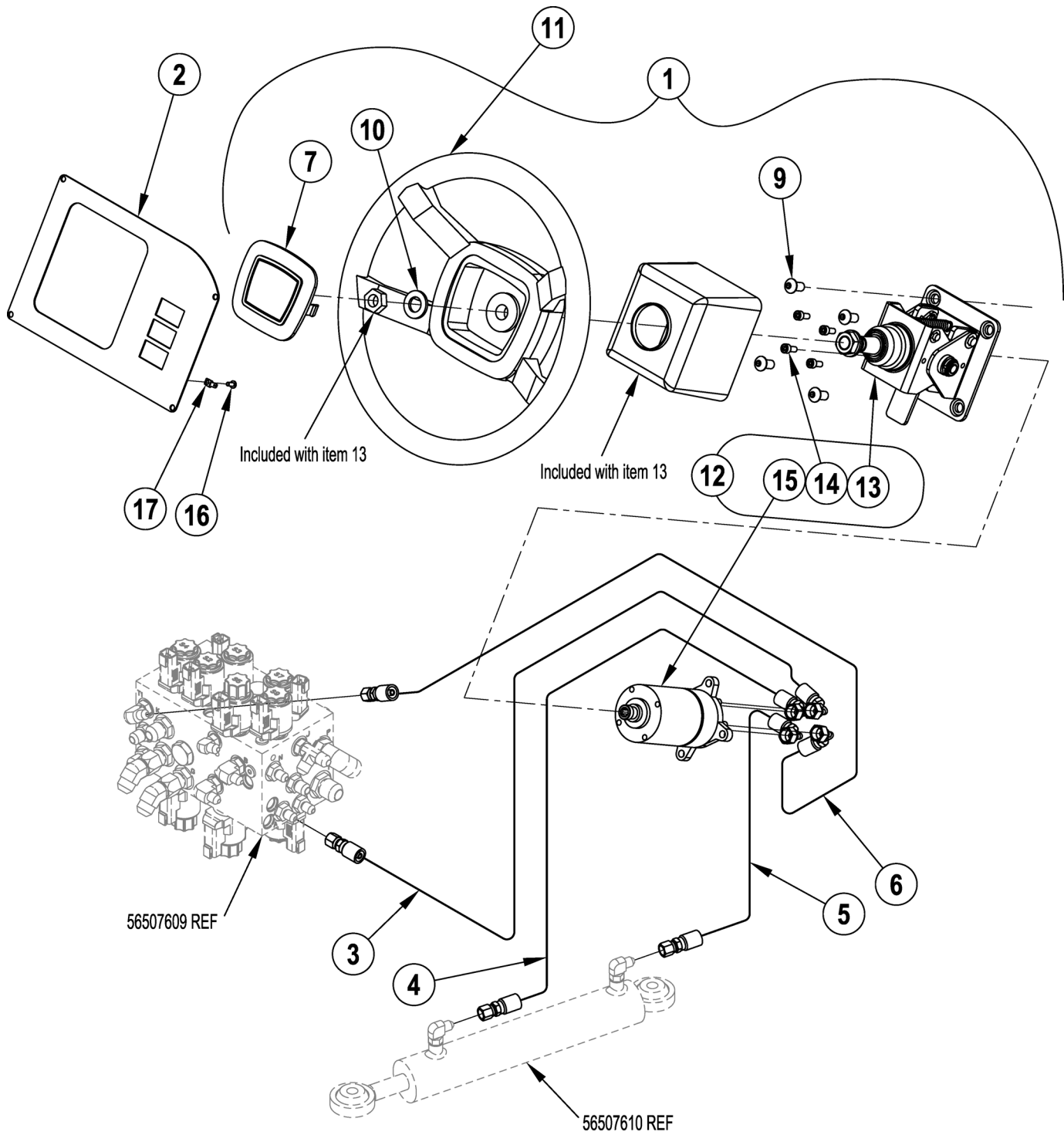
TILT STEERING OPTION

06-12

100

Exterra™

09-8



06-12

TILT STEERING OPTION

09-8

Exterra™**101**

Item	Ref. No.	Qty	Description
	56507228	1	Tilt Steering Option Assembly (includes items 1-6, 16-17)
	56040962	1	Instruction Sheet
1	56507239	1	Tilt Steering Option (includes items 7-12)
2	56508921	1	Plate-Tilt Steering Assy
3	56507360	1	Hose, Hydraulic
4	56507361	1	Hose, Hydraulic
5	56507362	1	Hose, Hydraulic
6	56507363	1	Hose, Hydraulic
7	7-16-07428	1	Cover, Steering Wheel
9	56003729	4	Scr, Soc Hd But 3/8-16 x 0.75
10	56009218	1	Wsh, Flt .688 x 1.250 x 0.125
11	56418460	1	Steering Wheel
12	56508224	1	Steering Unit Assembly (includes items 13-15)
13	7-70-05207	1	Column, Tilt
14	56003425	4	Scr, Soc SS M6-1 X 14mm
15	56508096	1	Steering Control Unit
16	56001818	1	Scr, Pan Phil 8-32 x .38
17	56508923	1	Tab-Quick Connect .187 x #8



Nilfisk-Advance Equipamentos de Limpeza Ltda.
Av. Dep. Emílio Carlos, 2.499 - Bairro do Limão - 02721-200
São Paulo - SP - Brasil
www.nilfisk-advance.ind.br
www.plataforma.ind.br
Tel.: (11) 3959-0300
Fax: (11) 3959-0306
©2012 Nilfisk-Advance, Inc.



14600 21st Avenue North
Plymouth, MN 55447-3408
www.advance-us.com
Phone: 800-989-2235
Fax: 800-989-6566
©2012 Nilfisk-Advance, Inc.

A Nilfisk-Advance Brand