

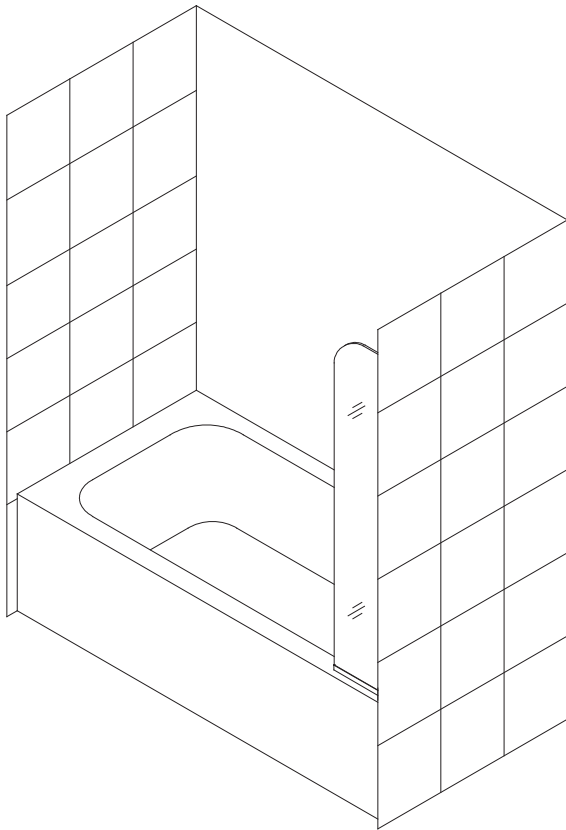


EXTENDER Panel and RETURN Panel

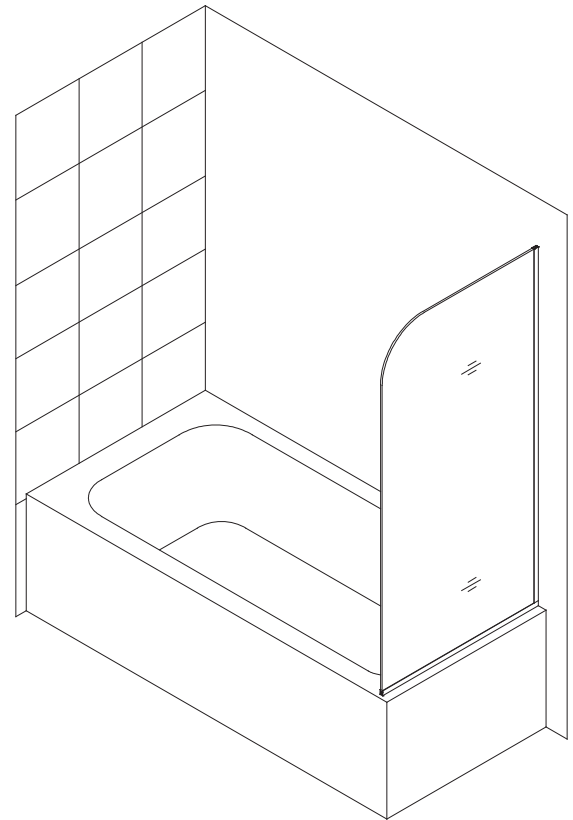
EX / RT Stationary Panel Installation

IMPORTANT

DreamLine® reserves the right to alter, modify or redesign products at any time without prior notice. For the latest up-to-date technical drawings, manuals, warranty information or additional details please refer to your model's web page on DreamLine.com



9" x 58" Extender Panel (EX)



30" x 58" Return Panel (RT)

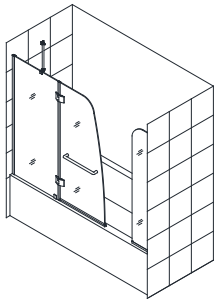
Right hand installation shown

Please read these instructions carefully before installing. If you have any questions regarding installation, please contact our technical support specialists Monday through Friday 8:00 AM – 7:00 PM EST at Phone: 1-866-731-2244, Fax: 1-866-857-3638 or e-mail our technical support group at Support@DreamLine.com

For more information about DreamLine® Shower Doors & Tub Doors please visit DreamLine.com

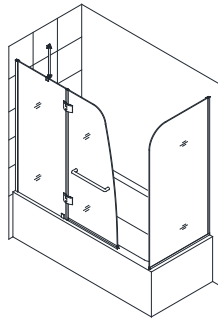
AQUA series with Extender and Return panel Model #s:

Aqua Tub -EX



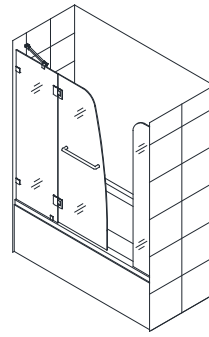
SHDR-3148586-EX-01
SHDR-3148586-EX-04

Aqua Tub -RT



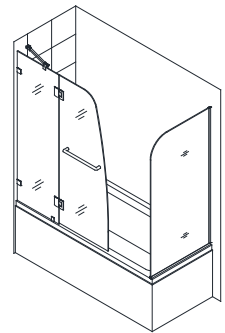
SHDR-3148586-RT-01
SHDR-3148586-RT-04

AquaLux-Tub -EX



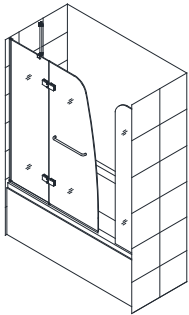
SHDR-3348588-EX-01
SHDR-3348588-EX-04

AquaLux-Tub -RT



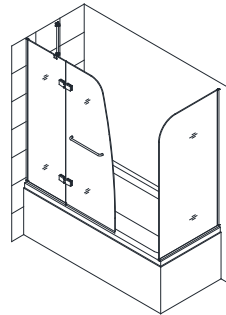
SHDR-3348588-RT-01
SHDR-3348588-RT-04

Aqua-Ultra Tub-EX



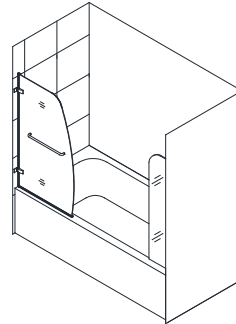
SHDR-3448580-EX-01
SHDR-3448580-EX-04

Aqua-Ultra Tub-RT



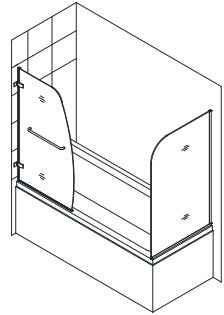
SHDR-3448580-R-01
SHDR-3448580-R-04

Aqua Uno-Tub-EX



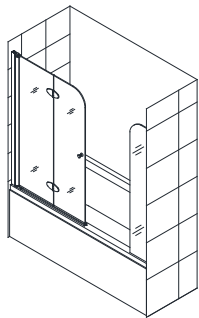
SHDR-3534586-EX-01
SHDR-3534586-EX-04

Aqua Uno-Tub-RT



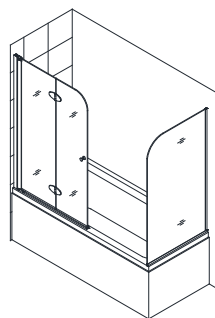
SHDR-3534586-RT-01
SHDR-3534586-RT-04

Aqua Fold-Tub -EX



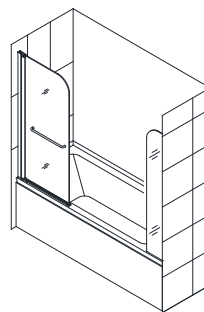
SHDR-3636580-EX-01

Aqua Fold-Tub -RT



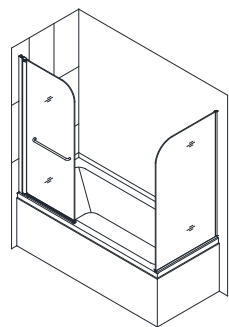
SHDR-3636580-RT-01

Aqua Swing-Tub-EX



SHDR-3734580-EX-01

Aqua Swing-Tub-RT



SHDR-3734580-RT-01

Finish:

01- Chrome

04- Brushed Nickel

Preparation

1. Prior to installation, examine all boxes and packages for shipping damage and compare the piece count with your packing slip. After opening all boxes and packages read this introduction carefully. Check that all of the needed parts are included in the package by checking off the components on the "Detailed Diagram of Shower Door Components". If the unit has been damaged, has a finishing defect, or has missing parts, please contact our customer support department within **3 business days** of the delivery date. **Please note that DreamLine® will not replace any damaged products or missing parts free of charge after 3 business days or if the product has been installed.** Feel free to contact DreamLine® if you have any questions and please provide an order number, job name or other proof of purchase to help us identify your original order.

2. **Please note that you should consult your local building codes with questions on installation compliance standards. Building and plumbing codes may vary by location, and DreamLine® is not responsible for code compliance standards for your project and will not accept any returns.**

3. If this unit is going to be installed in a new construction, please install all of the required plumbing and drainage before installing the shower. Use a competent and licensed (if required by local code) plumber for all plumbing installation.

4. Please make sure that prior to beginning the installation, the surfaces are leveled and solid and will be able to support the total weight of the unit. Also make sure the walls are at right angles. Irregular installation surface level, radius corners or improper angle of side walls will result in serious problems for your installation. Please, note that some adjustments and drilling might be necessary during the installation process.

5. Please protect all primary surfaces of the product during installation. Never set your glass down directly onto a tile floor. Leave corner protectors in place until necessary to remove them. Always use a piece of wood or cardboard to protect the bottom edge and corners of the glass prior to and during installation.

6. This unit must be installed upon a finished threshold and against finished walls.

7. This model allows for a maximum of 1/2" of adjustment for out-of-plumb wall conditions and 1/4" of adjustment for out-of-level conditions within the u-channel. Always use a level to verify the condition of your opening before proceeding with the installation.

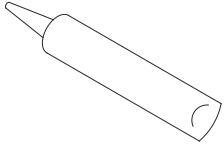
8. **This model requires that you drill into the threshold for proper installation.**

9. These panels require 5/8" of flat threshold space for installation.

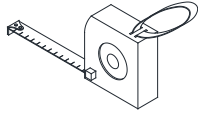
This manual assumes that the Aqua Series tub door has already been installed.

NOTE: These panels are reversible for left or right hand installation. This manual will show the right hand installation. For a lefthand installation, simply begin on the opposite wall and reverse the orientation of the parts as necessary.

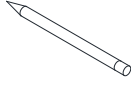
Tools



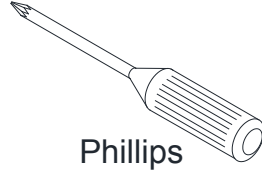
Caulk



Tape Measure



Pencil



Phillips Screwdriver



Drill bit (Ø=5/16")



Drill bit (Ø=1/8")



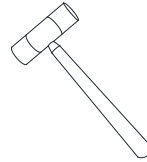
Level



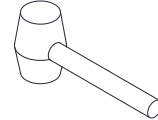
Caulk Gun



Power Drill



Hammer



Mallet



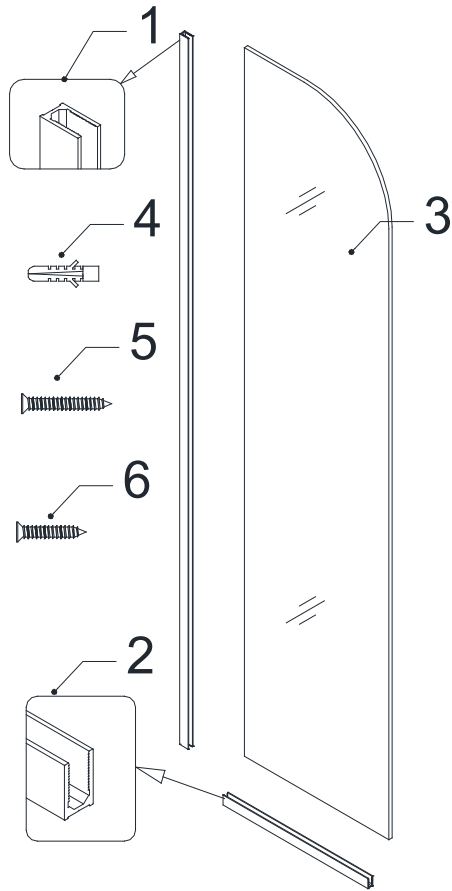
Wood

NOTE: Unpack your unit carefully and inspect it. Lay it out and identify all parts using the detailed diagram and packing list in this manual as a reference. Before discarding the carton, check for small hardware bags that may have fallen to the bottom of the box. If any parts are damaged or missing, please contact DreamLine® for replacement. The shipping boxes may contain extra parts not used in your model configuration.

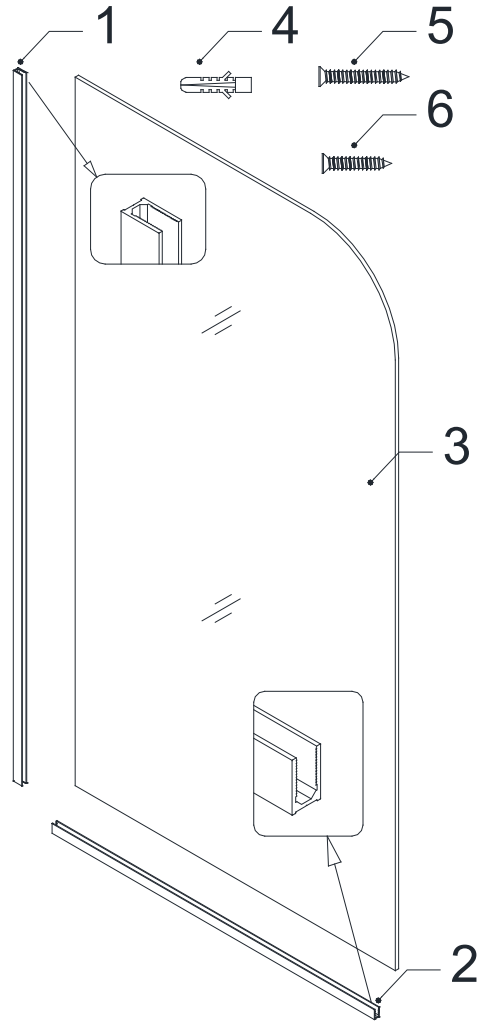
NOTE: Retain these installation instructions for future reference.

Parts diagram

Parts Diagram A
9" x 58" Extender Panel (EX)



Parts Diagram B
30" x 58" Return Panel (RT)



Packing List

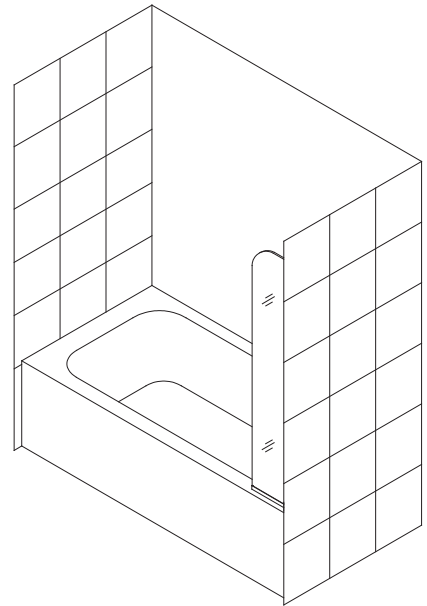
Diagram A					
01	U-channel 1 (58" wall profile)	1pc	04	Ø5/16" Wall anchor	4pcs
02	U-channel 2 (9" bottom profile)	1pc	05	Countersunk screw ST4.2x40	4pcs
03	Extender panel glass	1pc	06	Countersunk screw ST4.2x25	2pcs
Diagram B					
01	U-channel 1 (58" wall profile)	1pc	04	Ø5/16" Wall anchor	4pcs
02	U-channel 2 (30" bottom profile)	1pc	05	Countersunk screw ST4.2x40	4pcs
03	Return panel glass	1pc	06	Countersunk screw ST4.2x25	2pcs

Installation steps

9" In-Line Extender Panel Installation

NOTE: The following panel installation instructions apply to all of the Aqua series tub doors. Please install whichever Aqua model you purchased prior to proceeding with the following Stationary Glass installation instructions. Please see the Shower / Tub Door Installation manual included in the door packaging for complete tub door installation instructions.

NOTE: Use parts from **Parts Diagram "A"** for the glass panel assembly and installation.



1. Slip the **U-channel 2 (bottom profile) (02)** and **U-channel 1 (wall profile) (01)** onto the **Extender panel glass (03)**.

With the door open, place the **Extender panel glass (16)** and **U-channel** onto the tub surface ensuring that the **U-channel 1 (wall profile) (01)** is flush with the wall.

Close the Glass Door and align the **Extender panel glass (03)** (Fig 1.3).

Ensure that the **Extender panel glass (03)** is precisely in-line with the Door and level it vertically.

Mark the position of both **U-channels** along the inside edge on the wall and tub surface. (Fig 1.6)

See Fig 1 for details

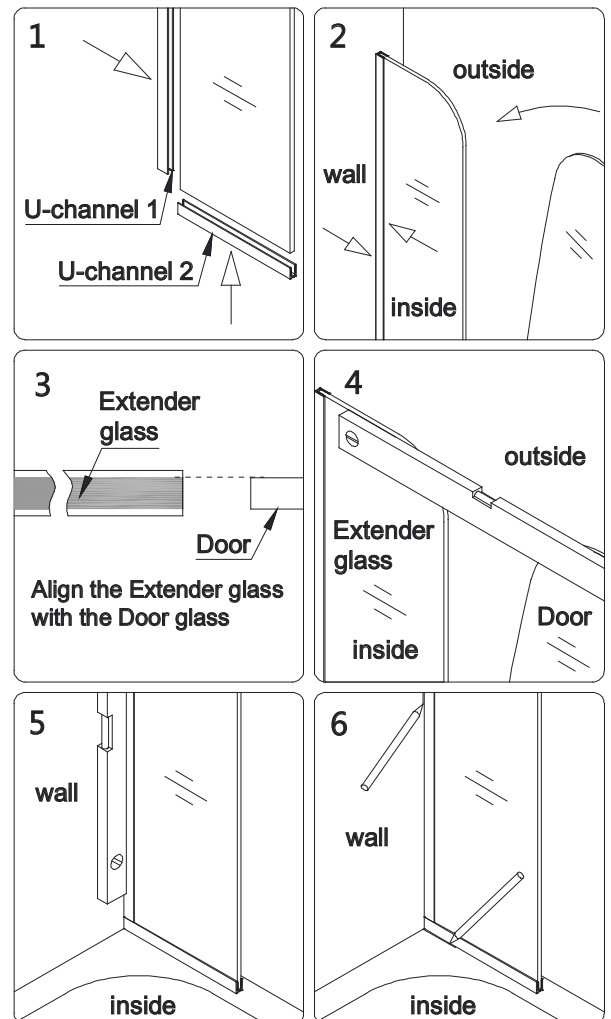


Fig 1

2. Remove the **U-channel 1 (wall profile) (01)** and **U-channel 2 (bottom profile) (02)** from the **Extender panel glass (03)** and carefully set the **Extender glass** aside. Place the **U-Channel 2 (bottom profile) (02)** back onto the tub surface in-line with the inside U-channel mark. Mark the drill holes on the tub surface through the pre-drilled holes in the **U-Channel 2 (bottom profile) (02)** and drill the holes using an $\text{Ø}1/8''$ drill bit. Apply waterproof silicone along the bottom surface and around the holes of the **U-Channel 2 (bottom profile) (02)** and fasten it to the tub surface with the **Countersunk screws ST4.2×25 (06)**.

NOTE: The surface needs to be clean and free of debris before applying silicone.

See Fig 2 for details

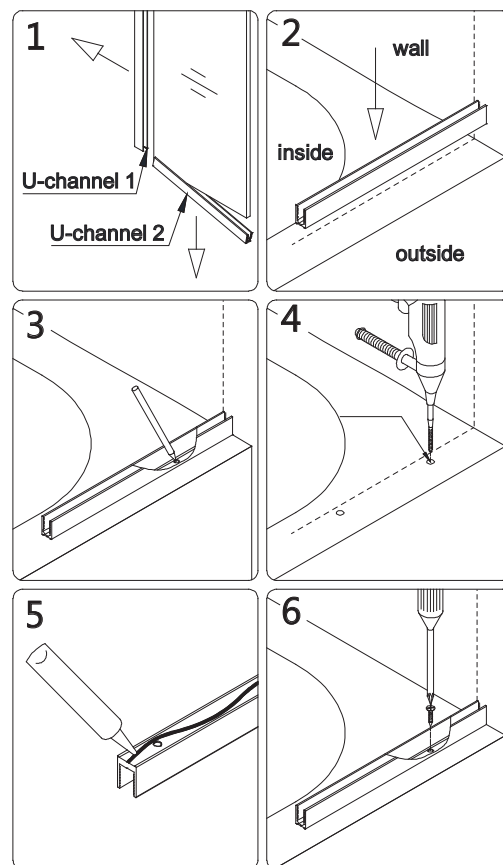


Fig 2

3. Place the **U-Channel 1 (wall profile) (01)** onto the **U-Channel 2 (bottom profile) (02)** and align vertically with the inside U-channel wall mark. (Fig 3.1) Mark the drill holes on the wall through the predrilled holes in the **U-Channel 1 (wall profile) (01)**. Now drill holes in the wall using a $\text{Ø}5/16$ drill bit and insert the $\text{Ø}5/16''$ **Wall anchors (04)**. Apply waterproof silicone along the bottom surface and around the holes of the **U-Channel 1 (wall profile) (01)** and fasten it to the wall with the **Countersunk screws ST4.2×40 (05)**.

See Fig 3 for details

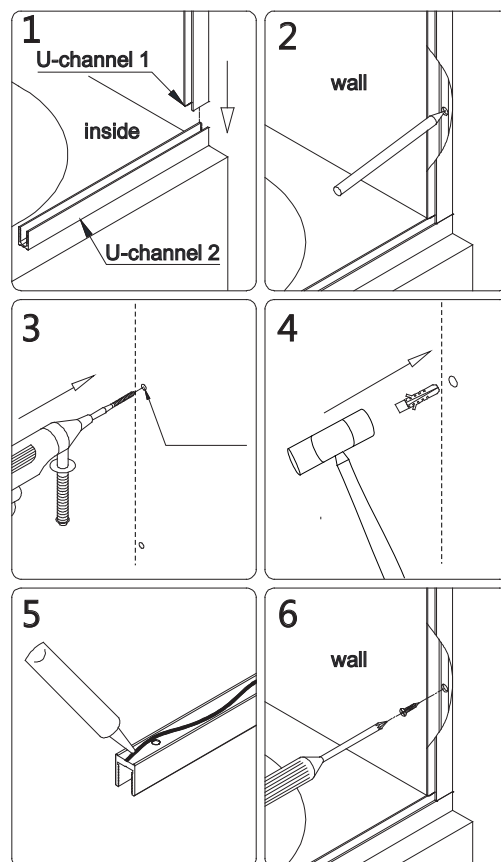


Fig 3

4. Apply waterproof silicone into both U-Channels.

NOTE: The surface needs to be clean and free of debris before applying silicone.

See Fig 4 for details

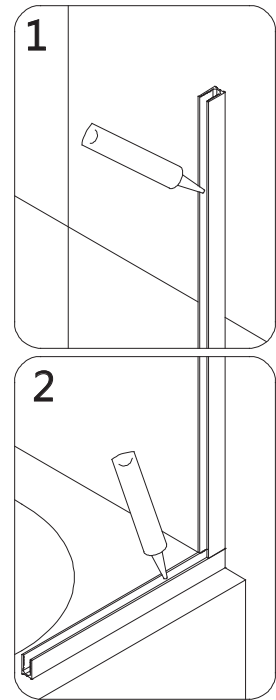


Fig 4

5. Slide the **Extender panel glass (03)** into the installed U-Channels.

NOTE: If you have difficulty sliding the Extender panel glass into the U-Channels, you can slightly tap on the Extender glass with a rubber mallet and a piece of wood.

Apply a dab of silicone to both open ends of the U-Channels.

See Fig 5 for details

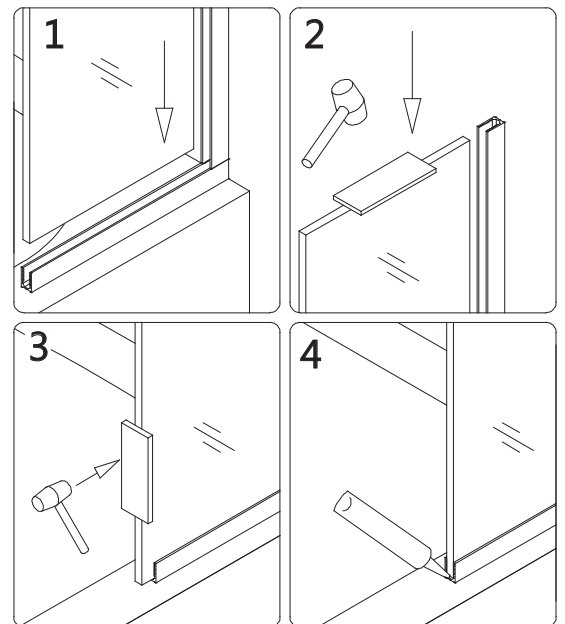


Fig 5

6. Apply a good quality mildew-resistant waterproof silicone along the connection of both U-Channels to the wall and tub surface from the inside of the shower.
Allow 24 hours for the silicone to fully cure before using the shower.

See Fig 6 for details

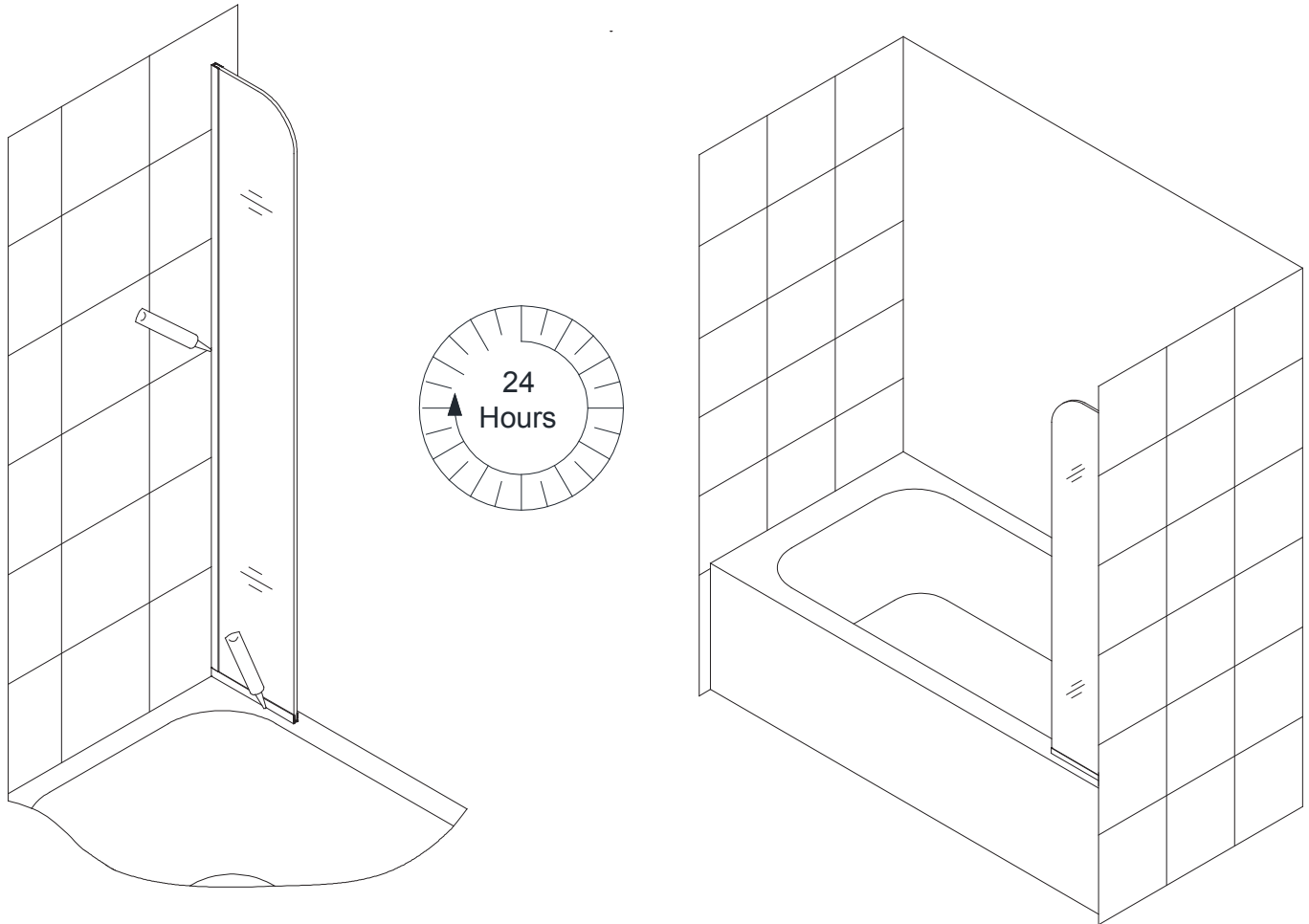
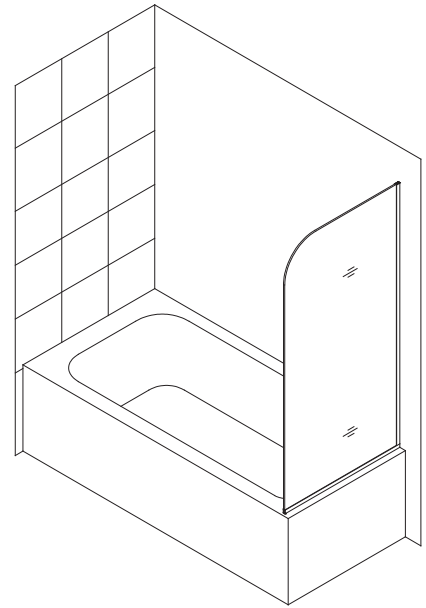


Fig 6

30" Return Panel Installation

NOTE: The following panel installation instructions apply to all of the Aqua series tub doors. Please install whichever Aqua model you purchased prior to proceeding with the following Return Glass installation instructions. Please see the Shower / Tub Door Installation manual included in the door packaging for complete tub door installation instructions.

NOTE: Use parts from **Parts Diagram "B"** for the glass panel assembly and installation.



7. Slip the **U-channel 2 (bottom profile) (02)** and **U-channel 1 (wall profile) (01)** onto the **Return panel glass (03)**.

With the door open, place the **Return panel glass (03)** onto the middle of the tub ledge adjacent to the door ensuring that the **U-channel 1 (wall profile) (01)** is flush with the wall.

Adjust the **Return panel glass (03)** vertically using a level.

Mark the position of both **U-channels** along the inside edge on the wall and tub surface. (Fig 7.4)

Remove the **U-channel 1 (wall profile) (01)** and **U-channel 2 (bottom profile) (02)** from the **Return panel glass (03)** and carefully set the Return glass aside.

See Fig 7 for details

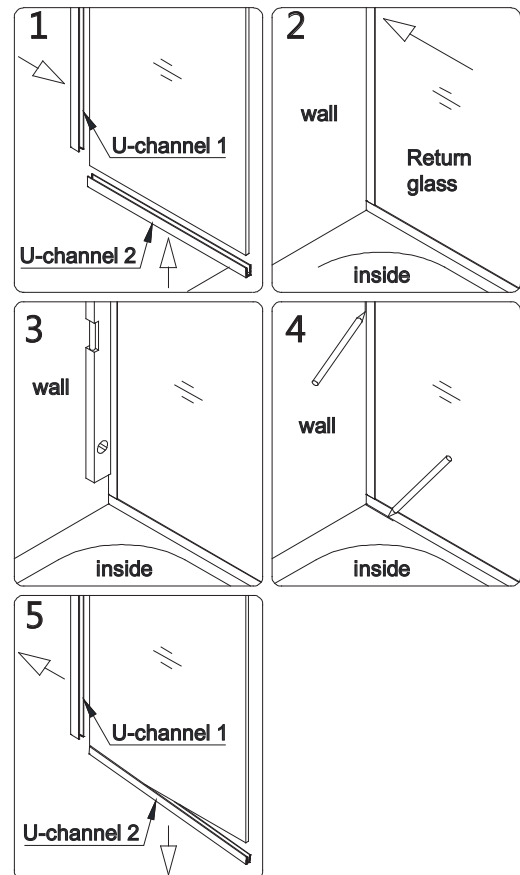


Fig 7

8. Place the **U-Channel 2 (bottom profile) (02)** onto the tub ledge in line with the inside **U-channel** mark.

Mark the drill holes on the tub ledge through the predrilled holes in the **U-Channel 2 (bottom profile) (02)** and drill the holes using an $\text{Ø}1/8''$ drill bit.

Apply waterproof silicone along the bottom surface and around the holes of the **U-Channel 2 (bottom profile) (02)** and fasten it to the tub ledge with the **Countersunk screws ST4.2×25 (06)**.

NOTE: The surface needs to be clean and free of debris before applying silicone.

See Fig 8 for details

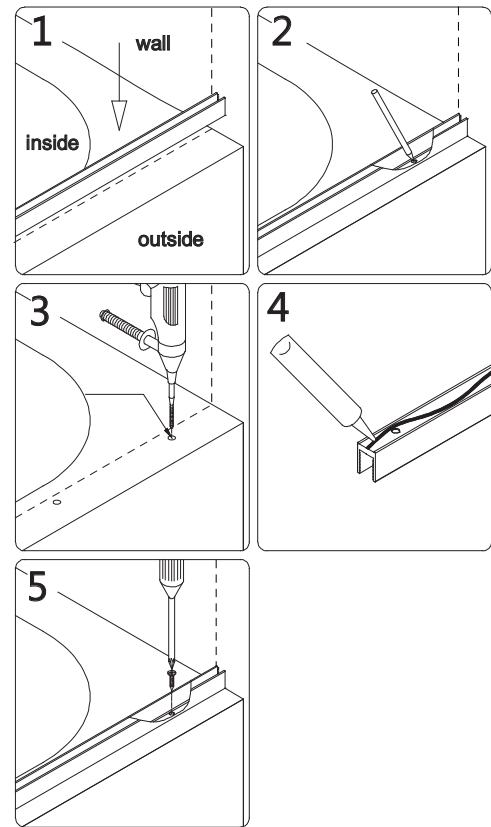


Fig 8

9. Place the **U-Channel 1 (wall profile) (01)** on the **U-Channel 2 (bottom profile) (02)** and align vertically with the inside U-channel wall mark.

Mark the drill holes on the wall through the predrilled holes in the **U-Channel 1 (wall profile) (01)**.

Now drill holes in the wall using a $\text{Ø}5/16''$ drill bit and insert the $\text{Ø}5/16''$ **Wall anchors (04)**.

Apply waterproof silicone along the bottom surface and around the holes of the **U-Channel 1 (wall profile) (01)** and fasten it to the wall with the **Countersunk screws ST4.2×40 (05)**.

NOTE: The surface needs to be clean and free of debris before applying silicone.

See Fig 9 for details

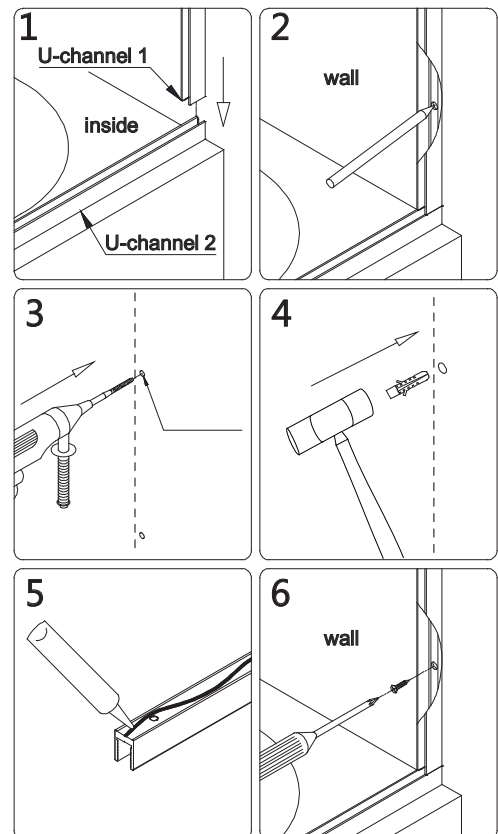


Fig 9

10. Apply waterproof silicone into both U-Channels.

NOTE: The surface needs to be clean and free of debris before applying silicone.

See Fig 10 for details

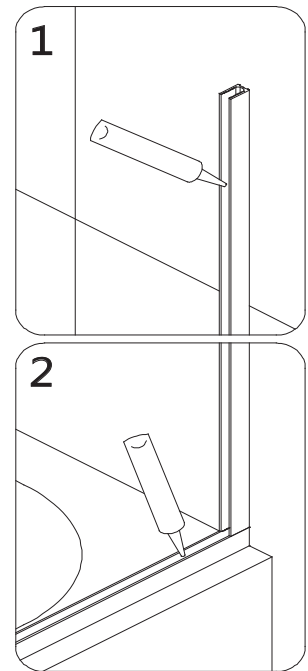


Fig 10

11. Slide the **Return panel glass (17)** into the groove of the installed U-Channels.

NOTE: If you have difficulty sliding the Return panel glass into the U-Channels, you can slightly tap on the Return glass with a rubber mallet and a piece of wood.

Apply a dab of silicone to both open ends of the U-Channels.

See Fig 11 for details

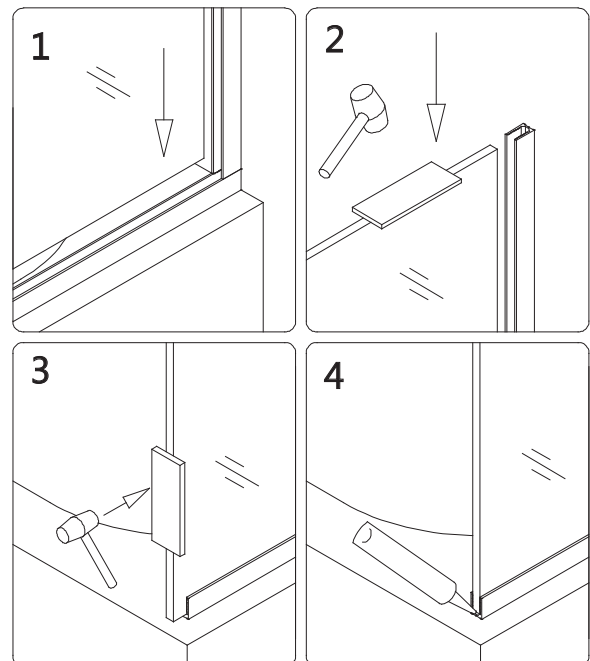


Fig 11

12. Apply a good quality mildew-resistant waterproof silicone along the connection of both U-Channels to the wall and tub surface from the inside of the shower.
Allow 24 hours for the silicone to fully cure before using the shower.

See Fig 12 for details

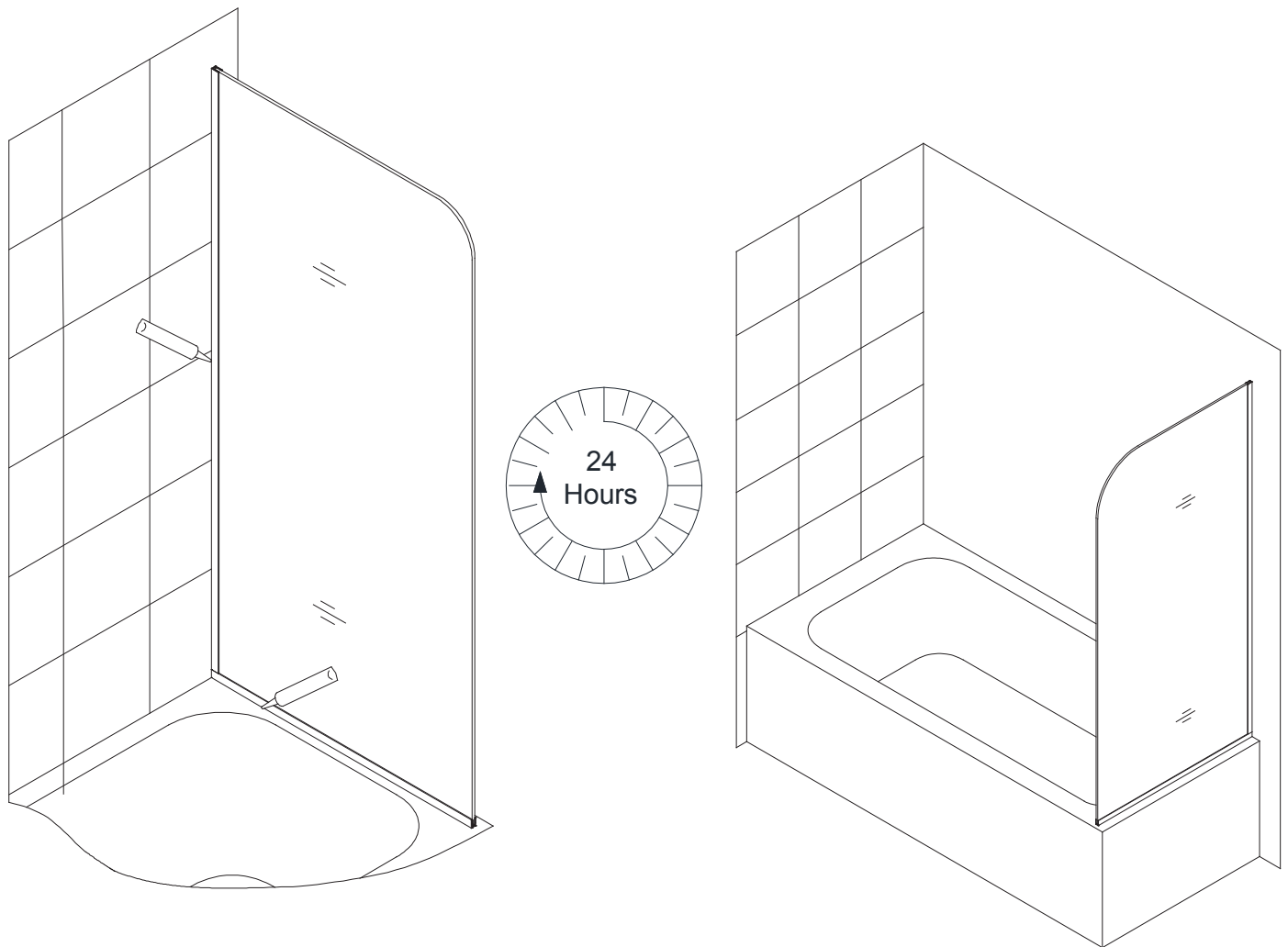


Fig 12

Product Maintenance

BASES and BACKWALLS: To ensure a long life for your acrylic back walls: wipe them off after each use with a soft cloth. To clean the acrylic back walls use non-abrasive sprays or cream based cleaners. Never use abrasive cleansers, metal brushes or scrapers that could scratch or dull the surface.

GLASS: To ensure long lasting life for your glass shower products: wipe them off after each use with a soft cloth. Rinse and wipe off the glass using either a soft cloth or a squeegee to prevent soap buildup and water spots. To prevent scratching the surface: never use abrasive cleaners and cleaning products that contain scouring agents. Never use bristle brushes or abrasive sponges.

HARDWARE: To ensure a long lasting finish: wipe off the metal parts after each use with a soft cloth. Do not use abrasive cleaners or cleaning products containing ammonia, bleach or acid. If accidentally used, rinse the surface as soon as possible to prevent finish peeling or corrosion. After cleaning the shiny finishes, rinse thoroughly and wipe dry with soft cloth. Never use an abrasive sponge or cloth, steel wool or wired brush as these may permanently scratch the glass.



TEL: 866-731-2244
FAX: 866-857-3638
DREAMLINE.COM

For more information on DreamLine[®] Shower Doors and Enclosure please visit **DreamLine.com**